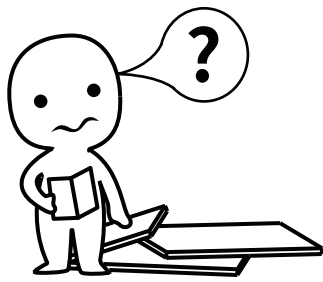


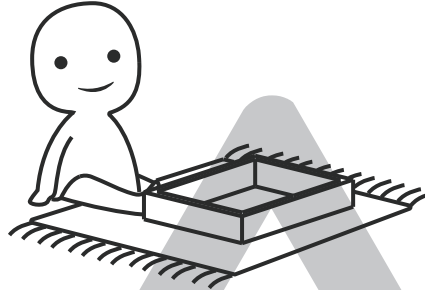
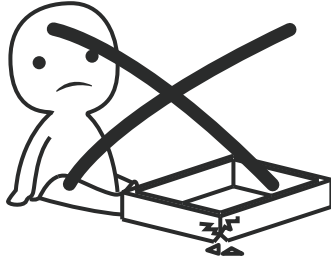
TTDJ011

NOTE: Please contact us in time If you find any accessories missing or damaged in the package, we will send you the corresponding accessories for free.



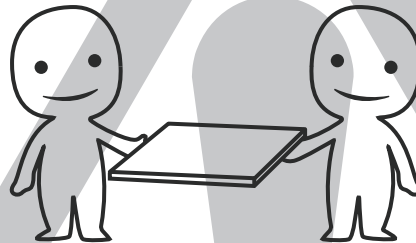
IMPORTANT INFORMATION!

please read the entire manual before starting to assemble and/or using this product. follow the manual thoroughly and keep it for further reference.



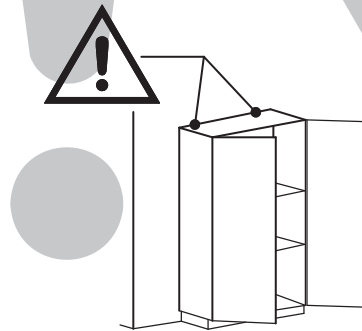
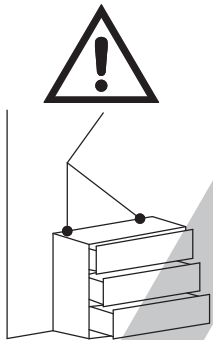
AVOID SCRATCHES!

In order to avoid scratching this furniture should be assembled on a soft layer- could be a rug.



IMPROVE EFFICIENCY !

Try to find a partner to install with you, which can speed up the installation efficiency and shorten the time.



ANTI-TOPPLE WARNING !

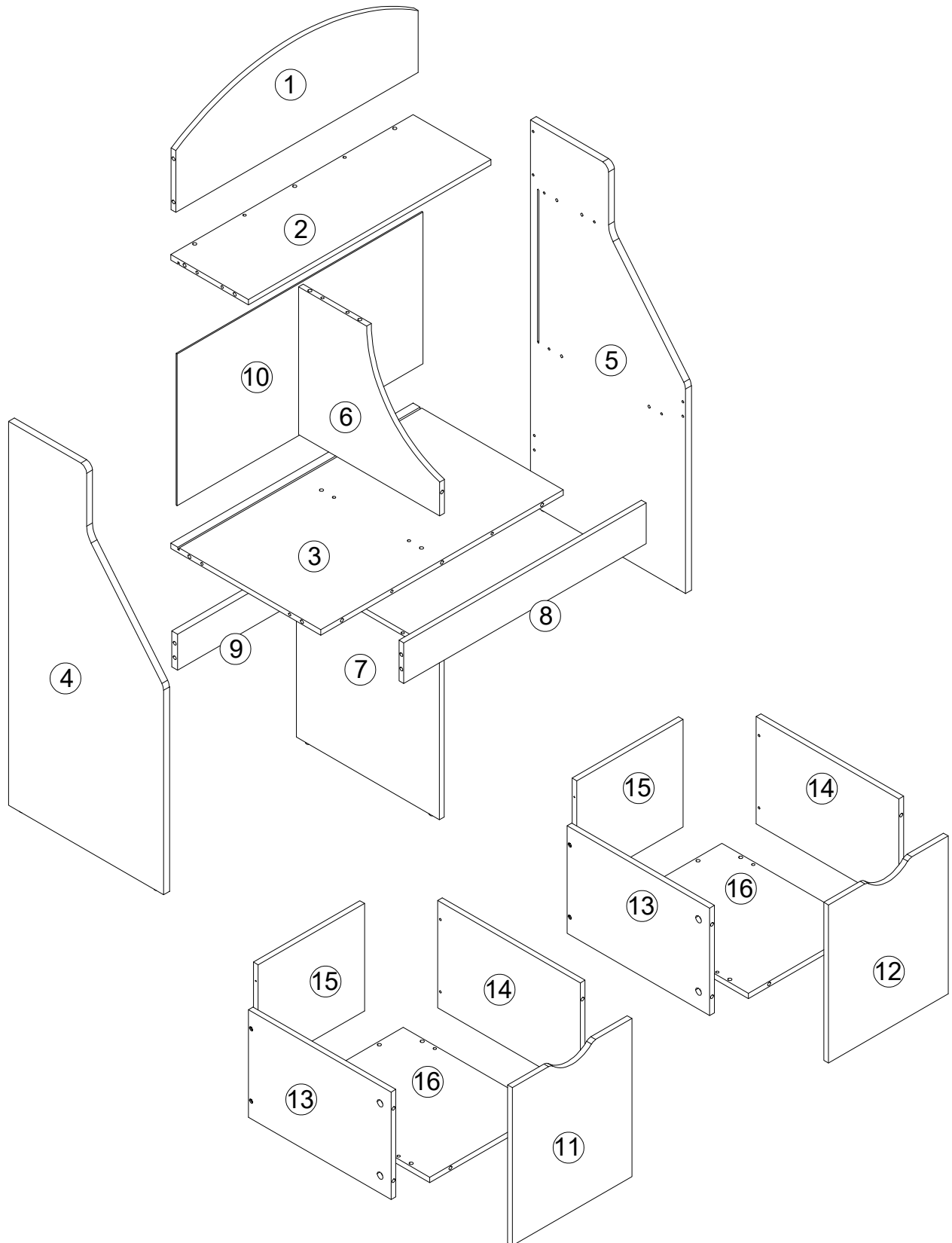
Overtured furniture can cause serious or fatal crush injuries. To prevent tipping over, be sure to use the wall attachment, if not included with this product. Please purchase the wall attachment that fit your wall. If unsure, seek professional advice. Please read and follow each step of the instructions carefully.

IMPORTANT !

It is important that any product which is assembled using any kind of screw is re-tightened 2 weeks after assembly, and once every 3 months - in order to assure stability through-out the lifespan of the product.

For regular maintenance and cleaning of the product, for the frame, please use a rag dipped in neutral detergent to fully wipe it, and then dry it with a clean rag. For glass materials, wipe with a rag dampened with water glass cleaner, and then dry with a dry rag.

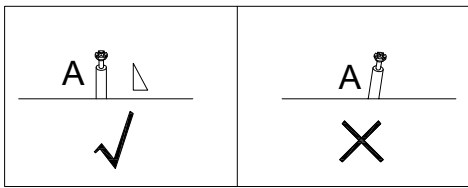
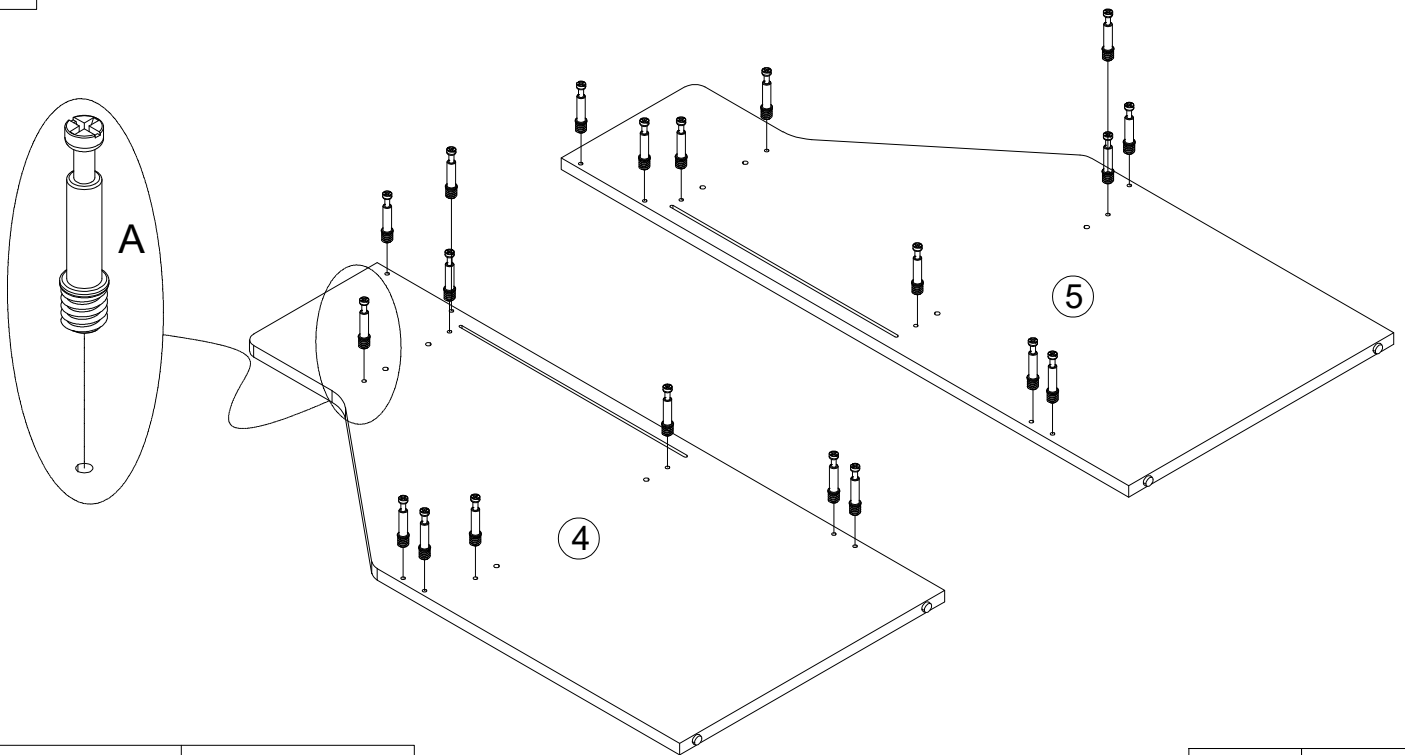
Do not use an electric screwdriver, and do not use too much force when installing, because the board is easy to break.



ASSEMBLY INSTRUCTION

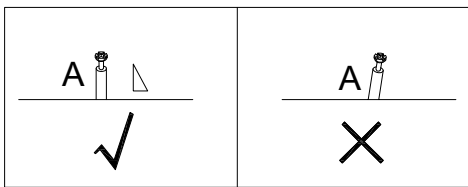
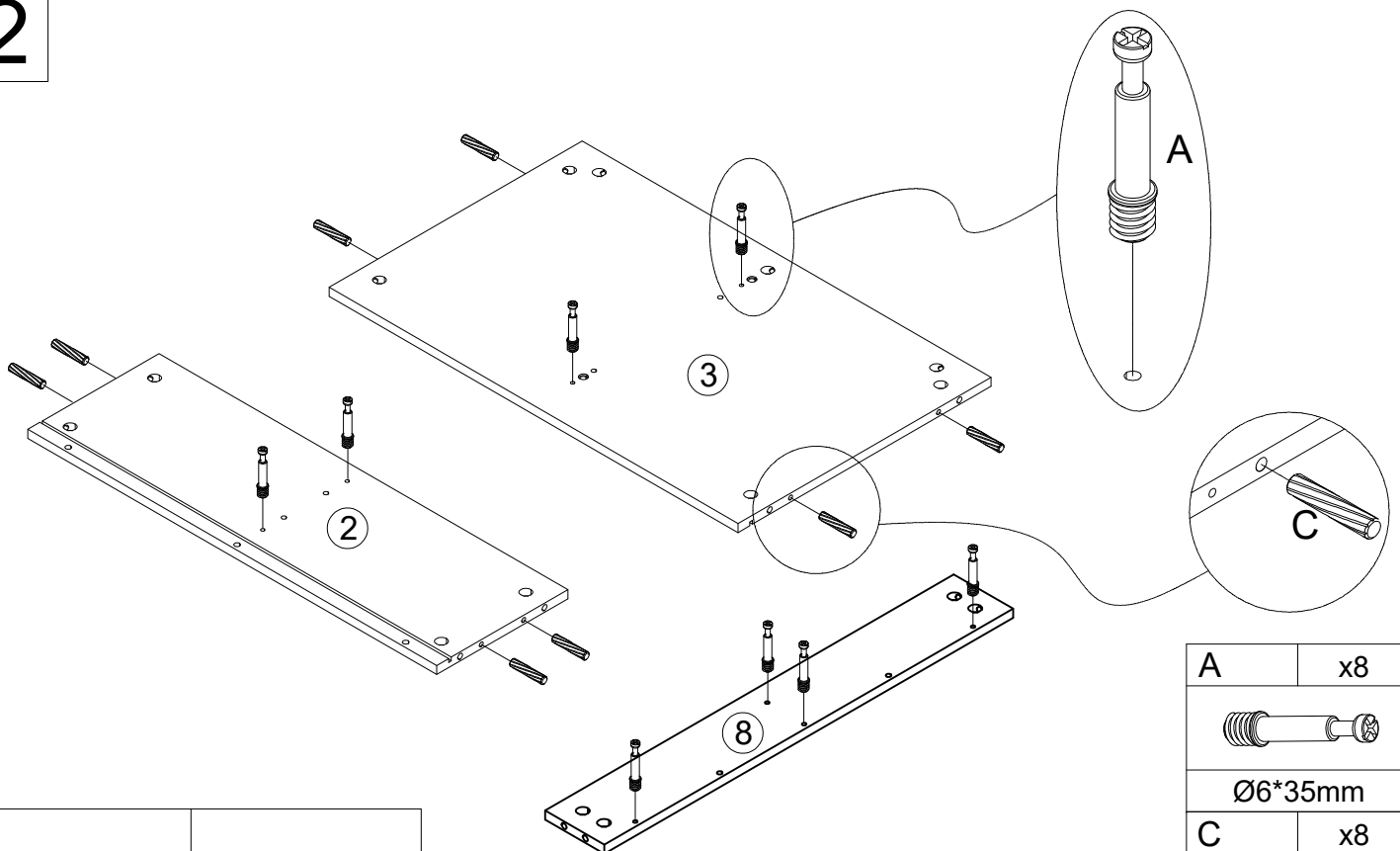
P4

1



A	x20
Ø6*35mm	

2

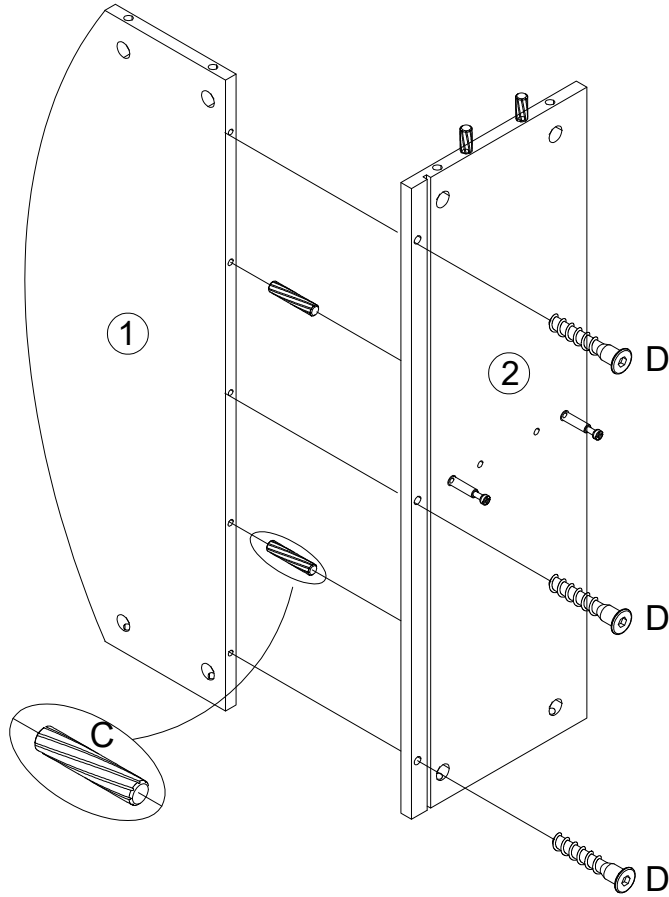



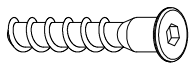
A	x8
Ø6*35mm	
C	x8
Ø6*30mm	

ASSEMBLY INSTRUCTION

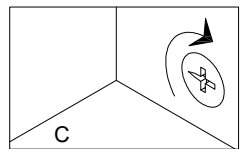
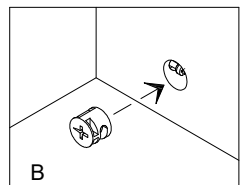
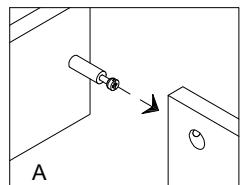
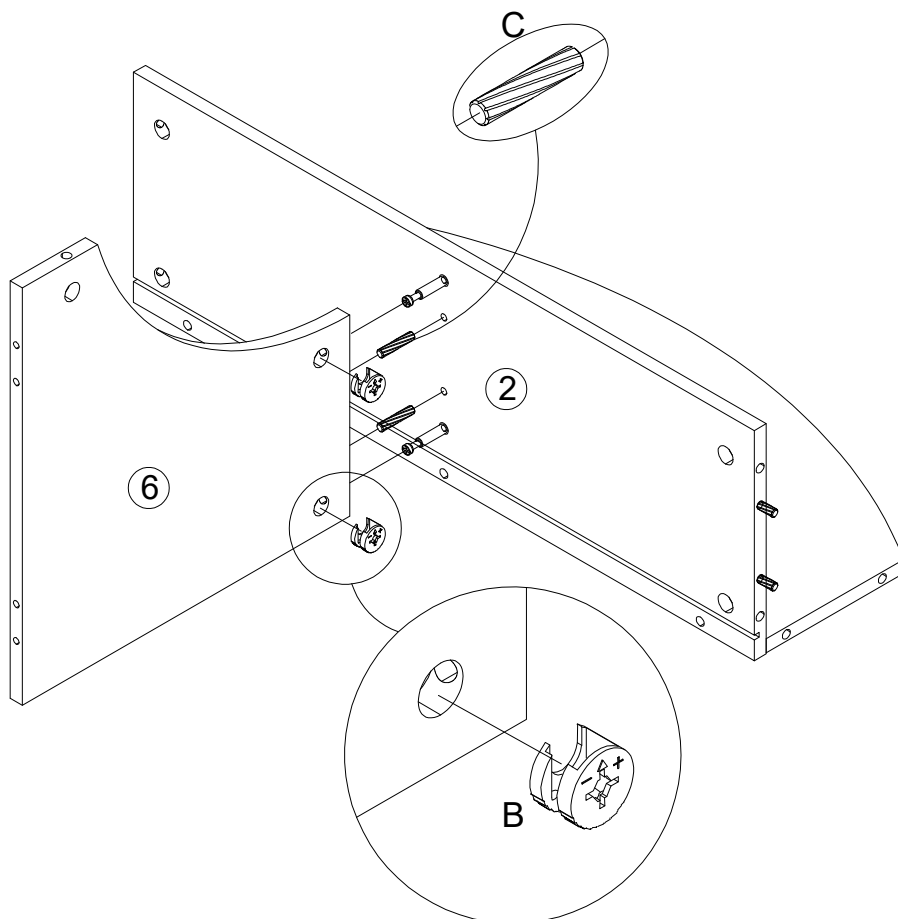
P5



3



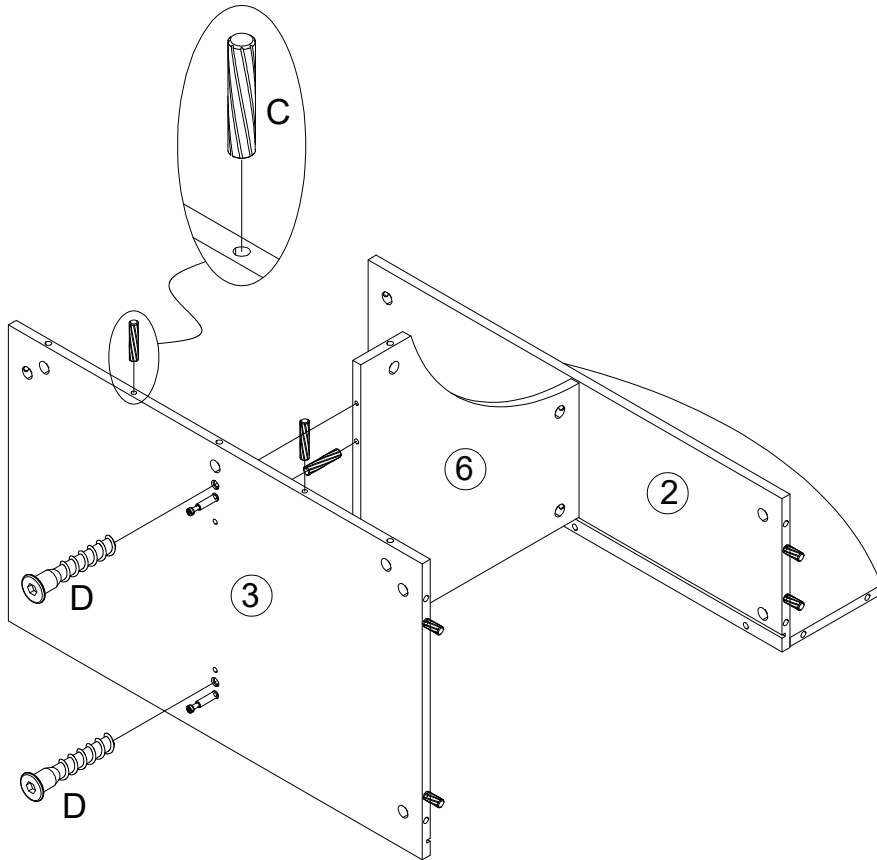
C	x 2
	
Ø6*30mm	
D	x 3
	
Ø7*38mm	


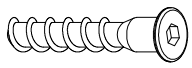
4



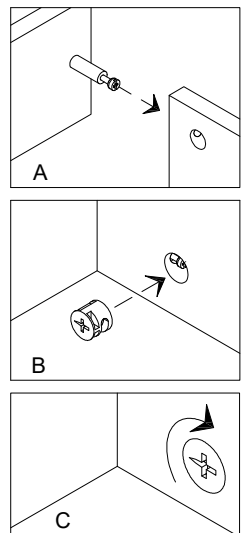
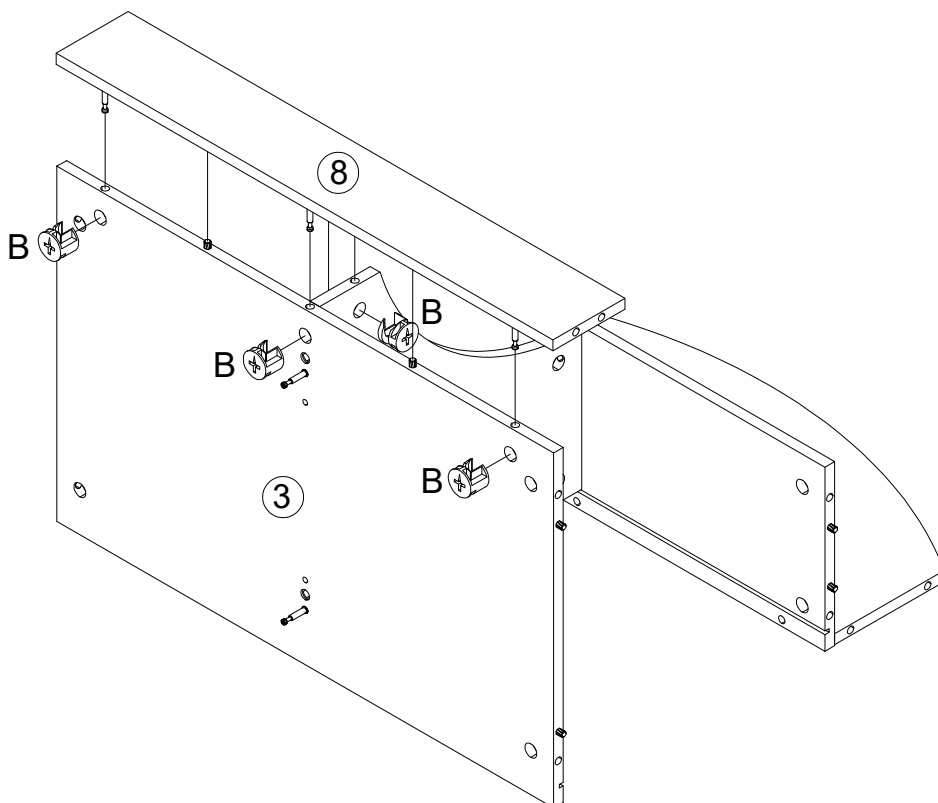
B	x 2
	
Ø15*9mm	
C	x 2
	
Ø6*30mm	

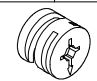
5



C	x 4
	
Ø6*30mm	
D	x2
	
Ø7*38mm	

6

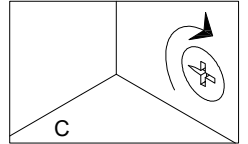
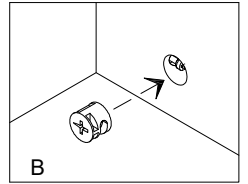
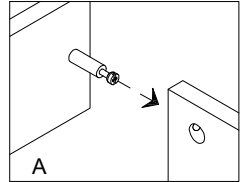
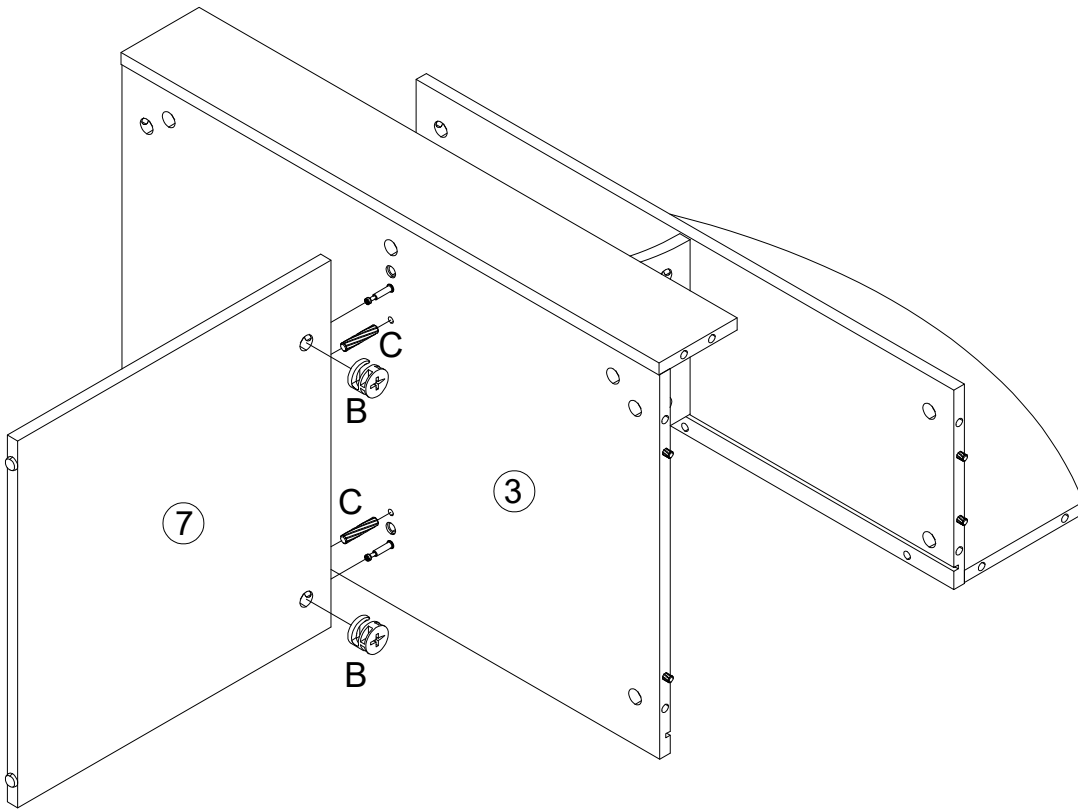


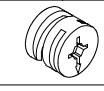

B	x4
	
Ø15*9mm	

ASSEMBLY INSTRUCTION

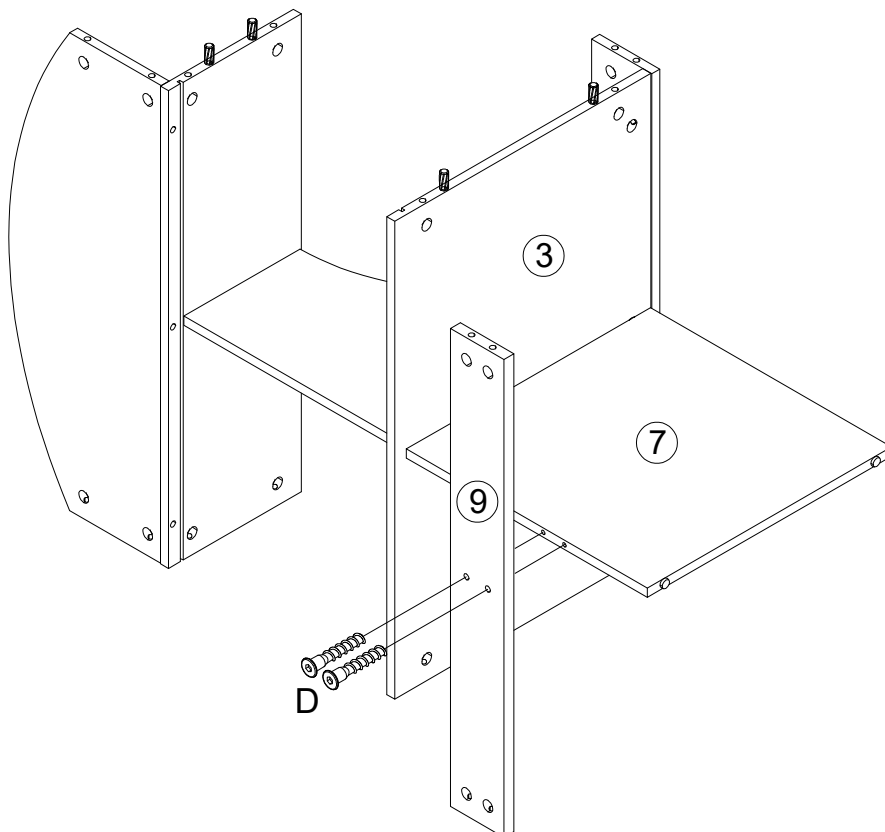
P7

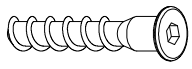
7



B	x2
	
$\text{Ø}15 \times 9\text{mm}$	
C	x2
	
$\text{Ø}6 \times 30\text{mm}$	

8

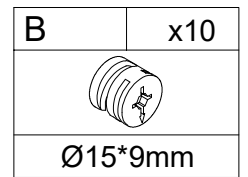
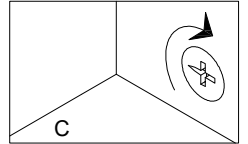
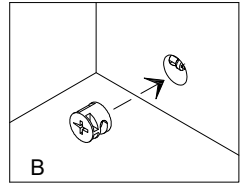
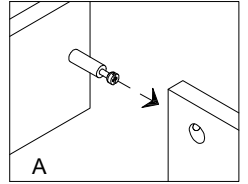
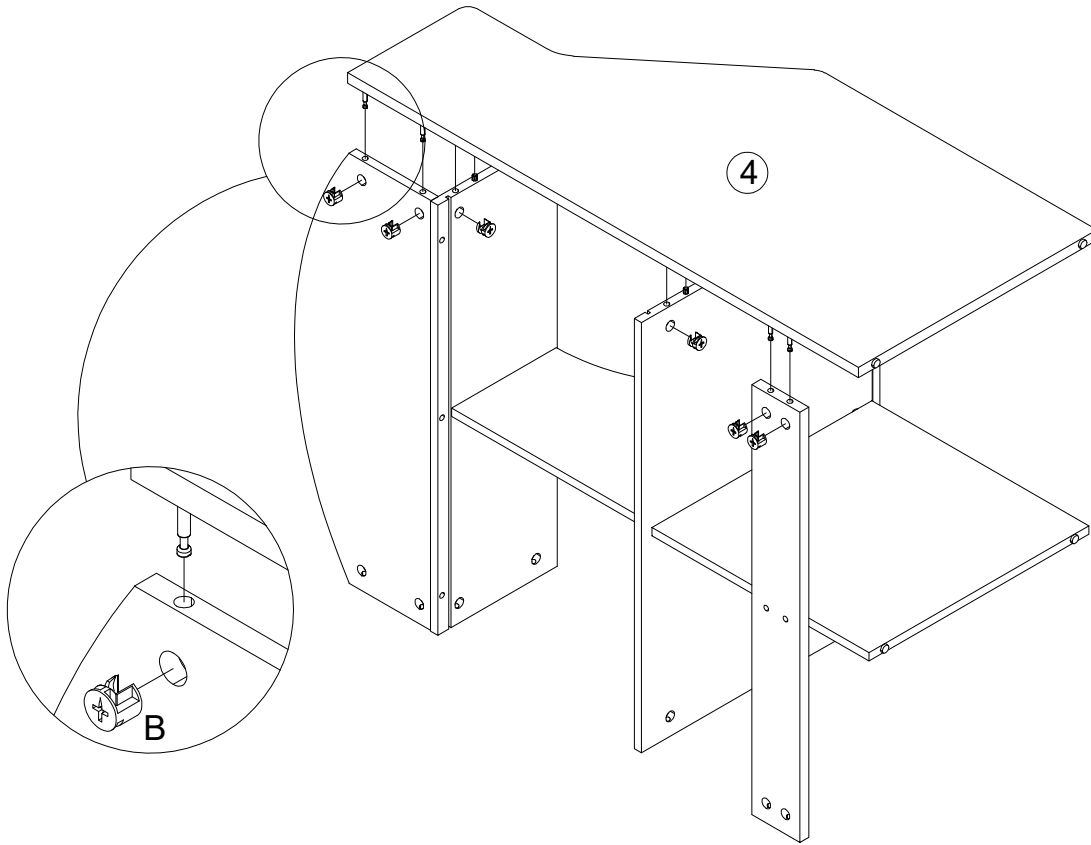


D	x2
	
$\text{Ø}7 \times 38\text{mm}$	

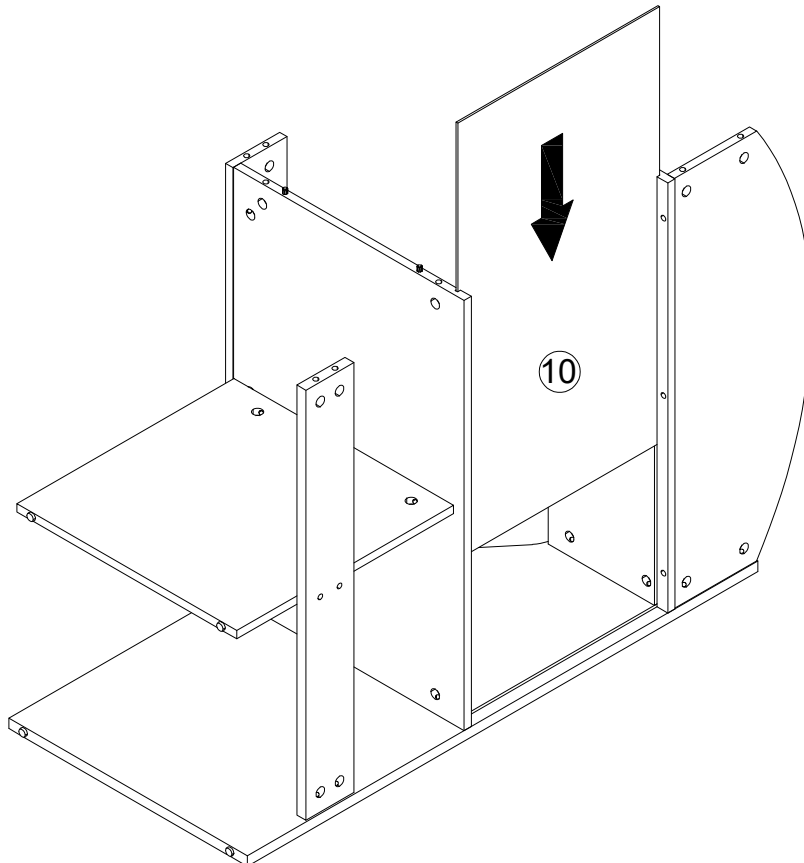
ASSEMBLY INSTRUCTION

P8

9



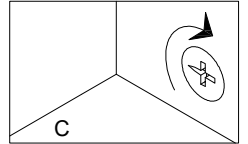
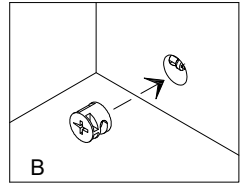
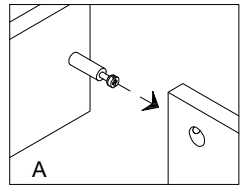
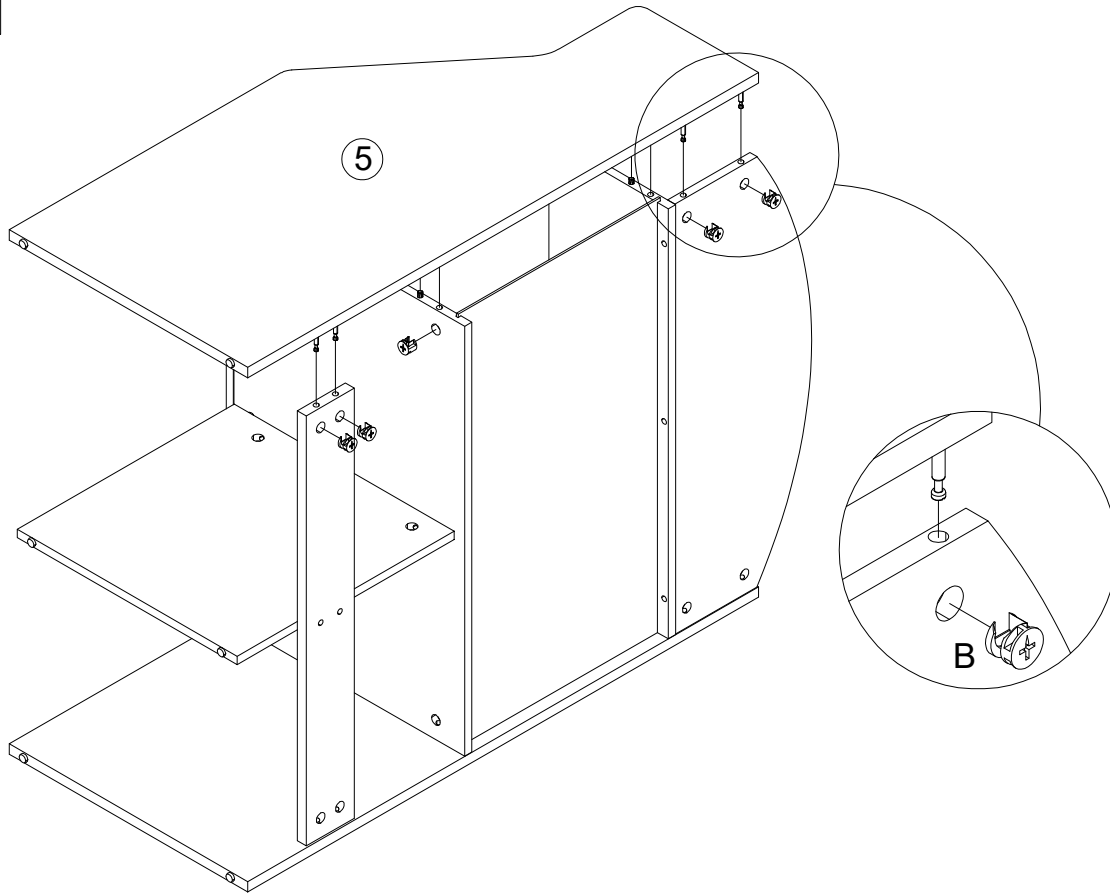
10



ASSEMBLY INSTRUCTION

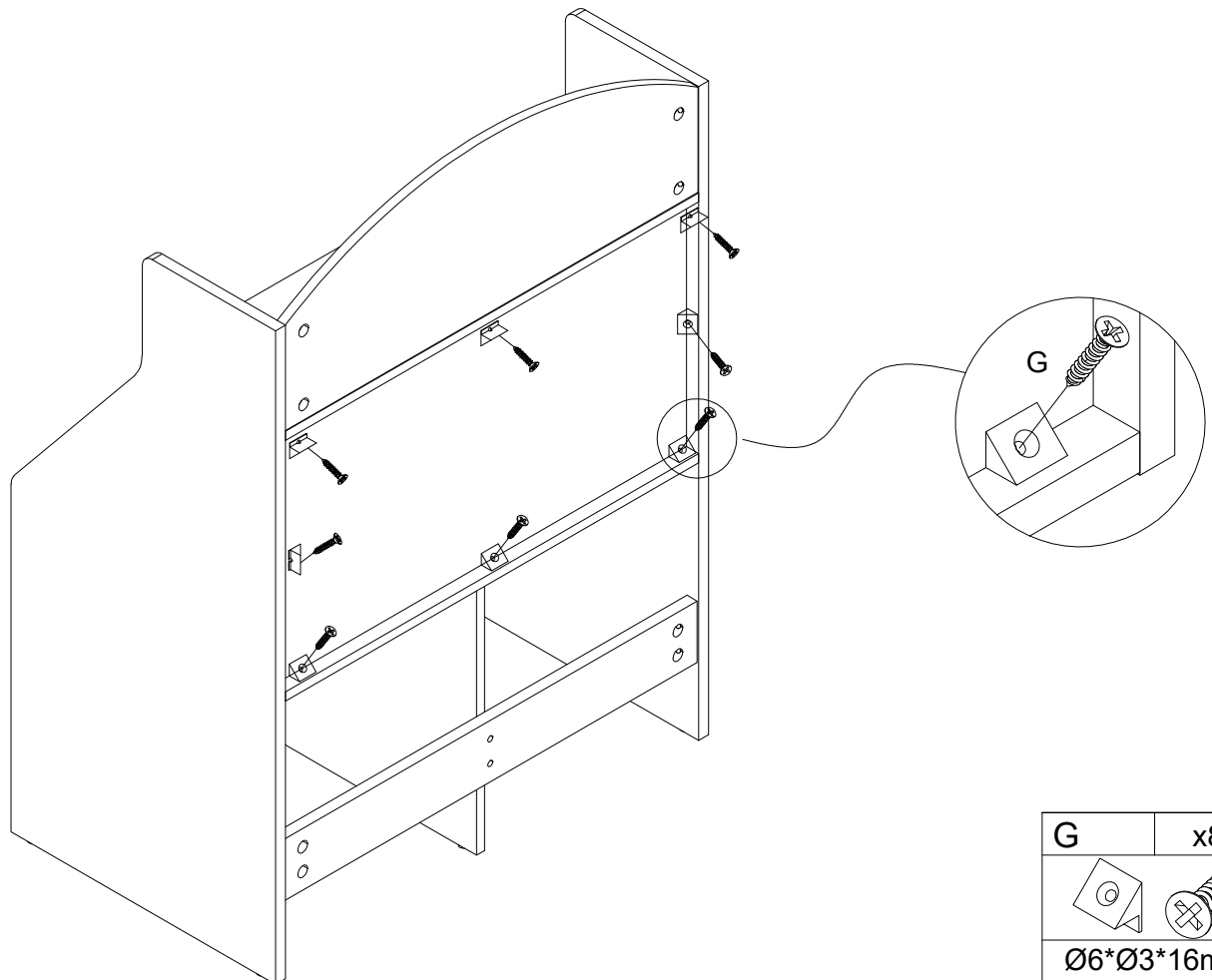
P9

11



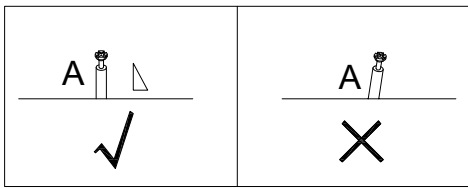
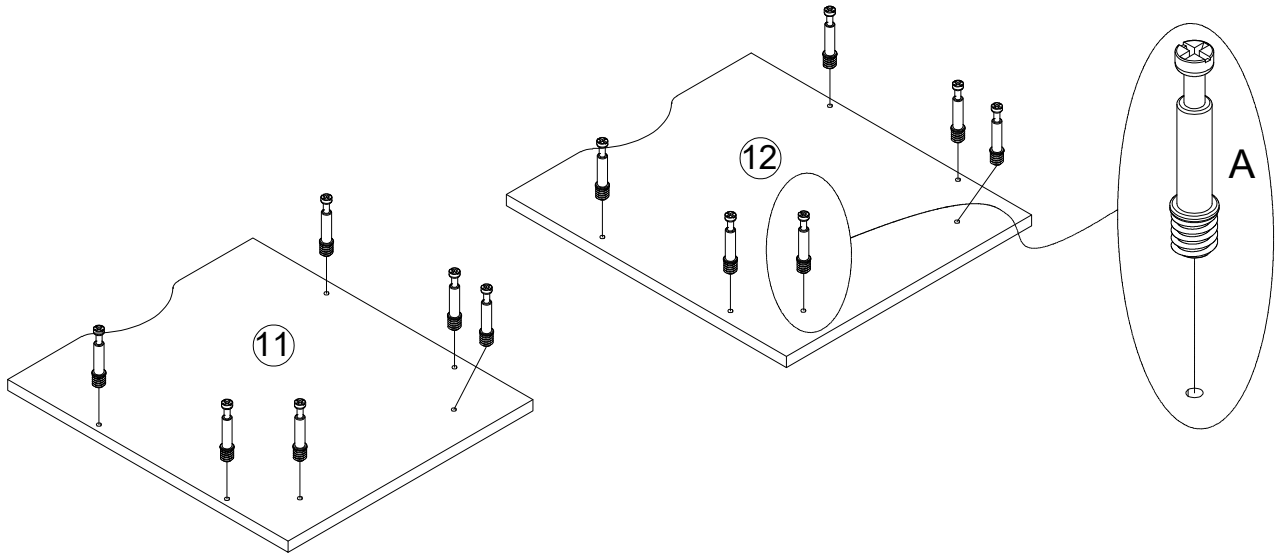
B	x10
Ø15*9mm	

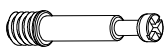
12



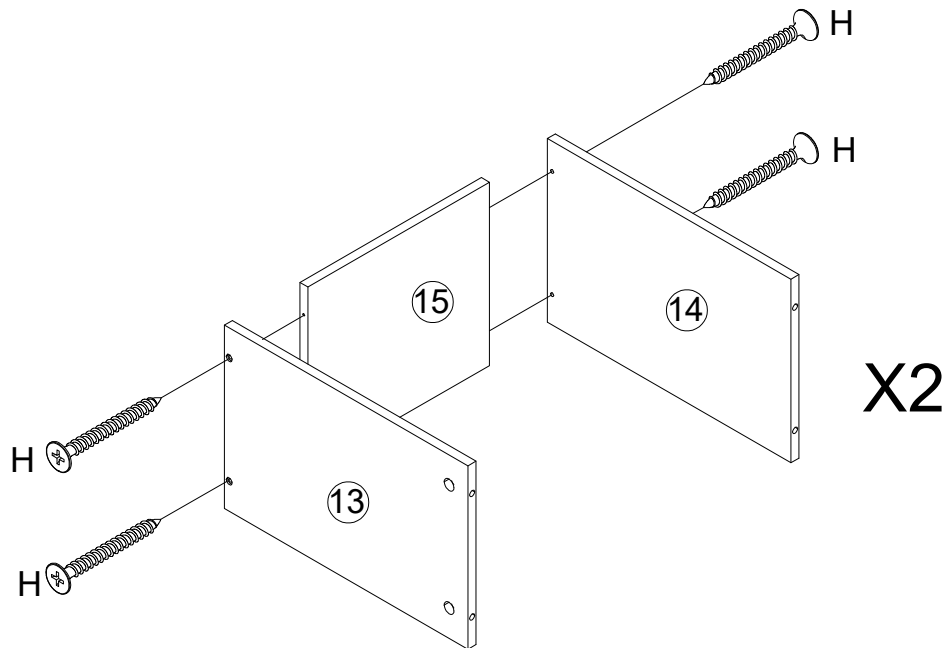
G	x8
Ø6*Ø3*16mm	

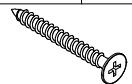
13



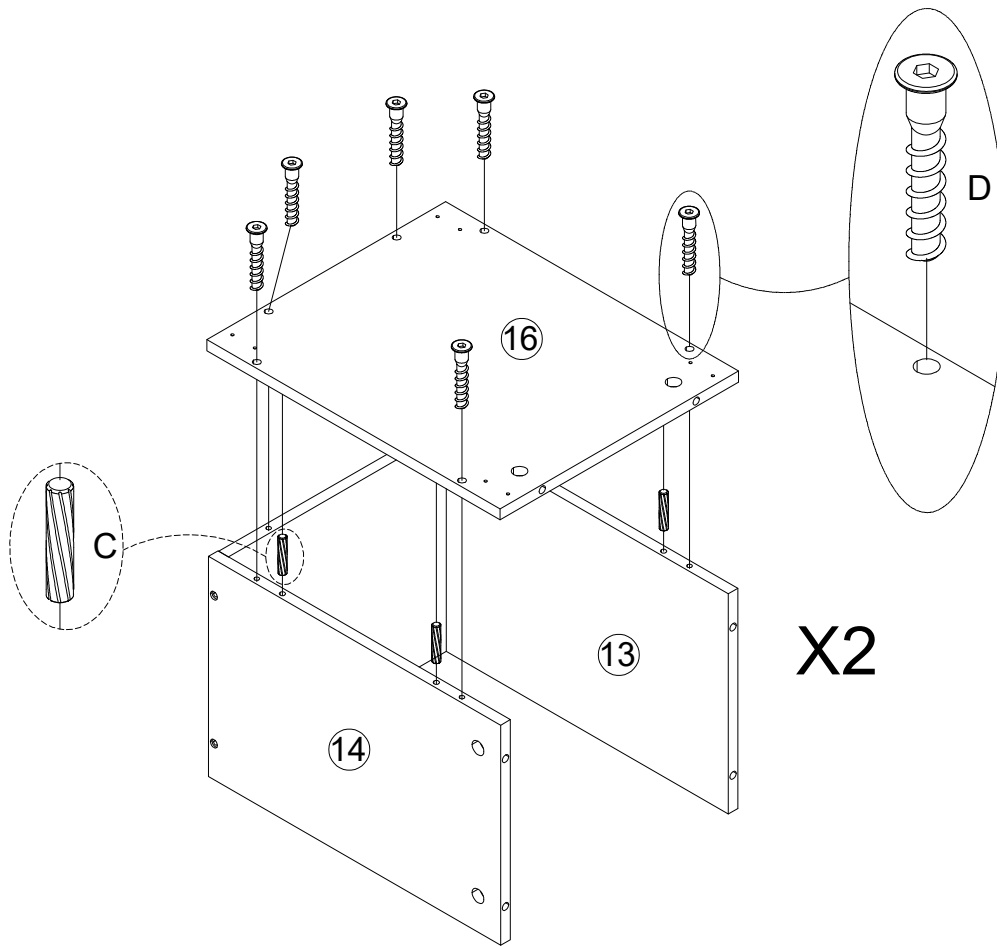
A	x12
	
Ø6*35mm	

14


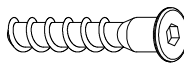


H	x 8
	
Ø4*40mm	

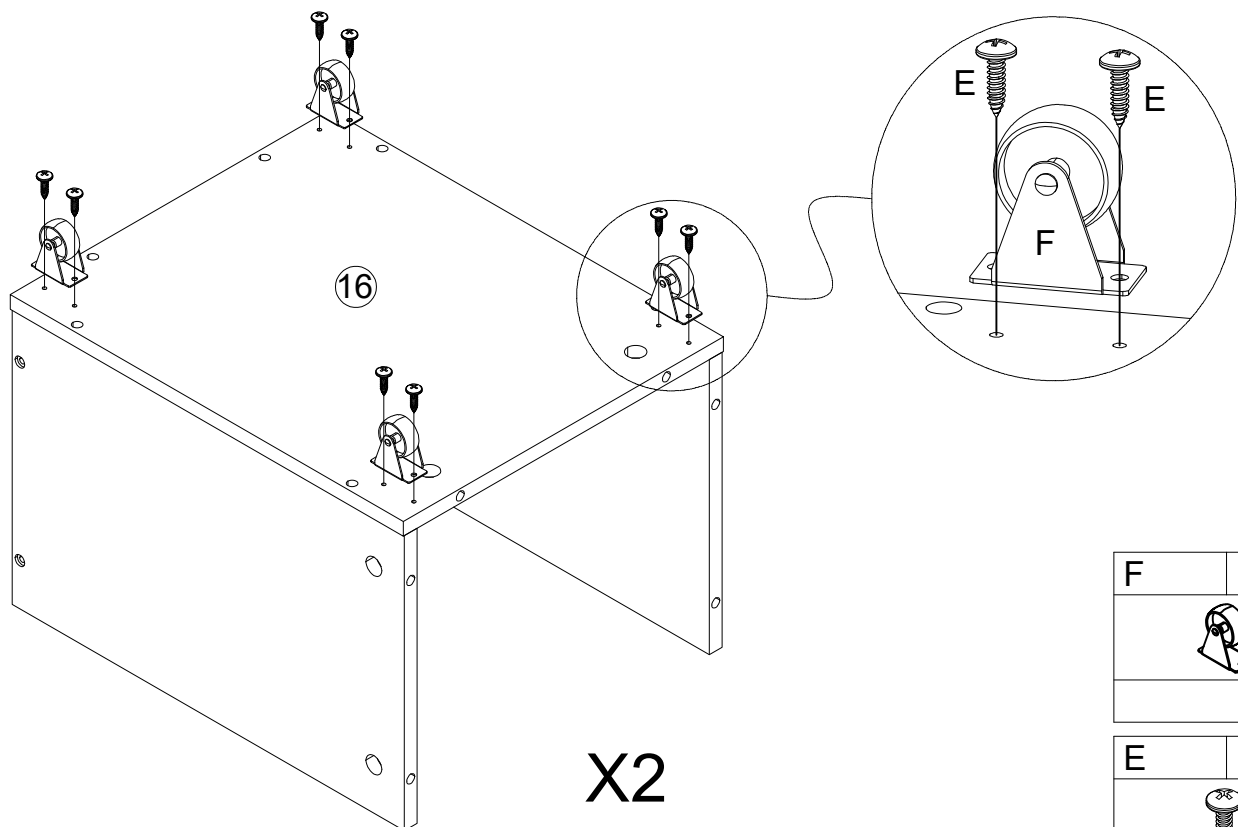
15





X2

C	x 8
	
Ø6*30mm	
D	x12
	
Ø7*38mm	

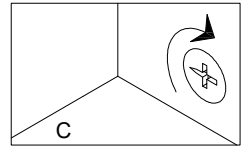
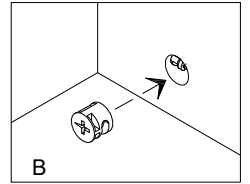
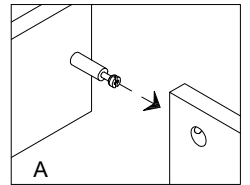
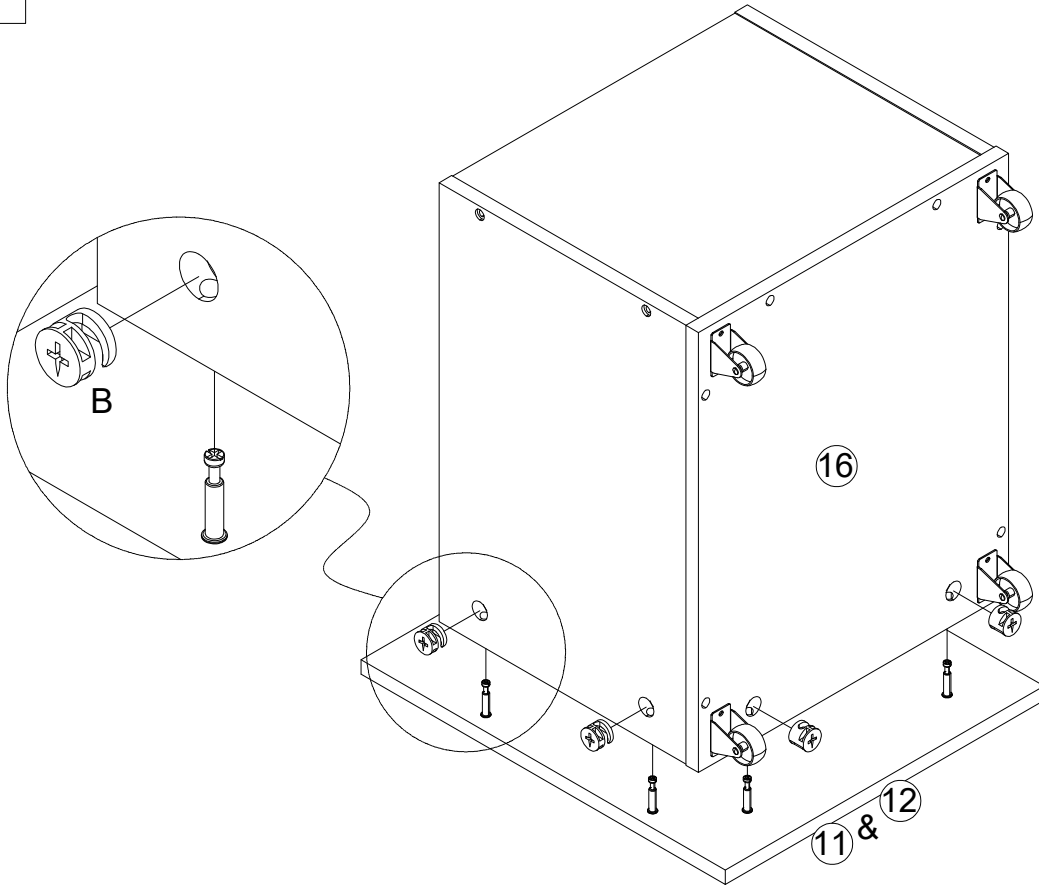
16



X2

F	x 8
	
E	x16
	
Ø8*Ø4*14mm	

17



B	x12
Ø15*9mm	

18

