

Bestway[®]

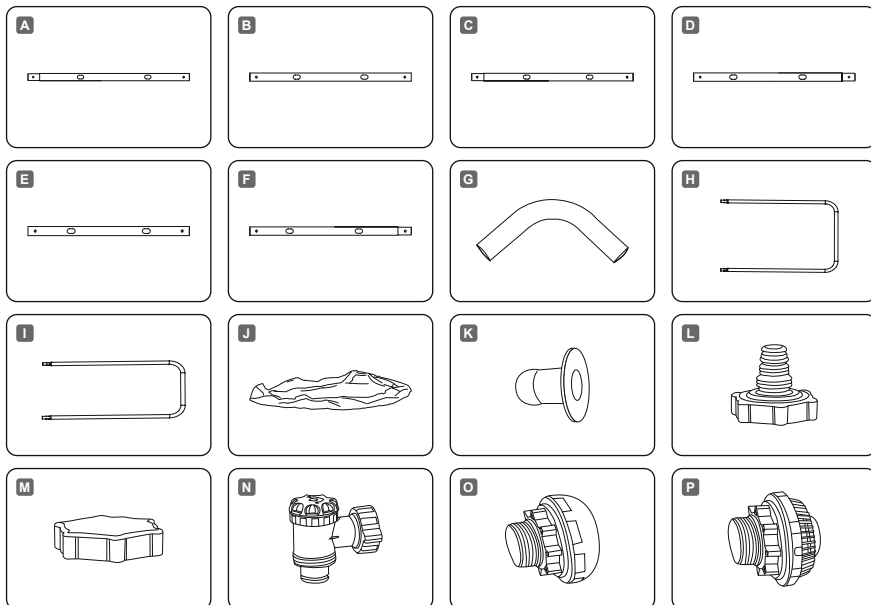
EN
DE
NL
FR

POWER STEEL[™]



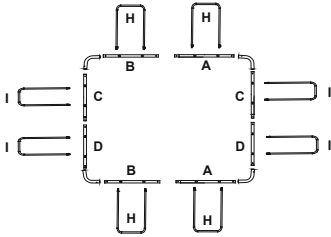
bestwaycorp.com/support



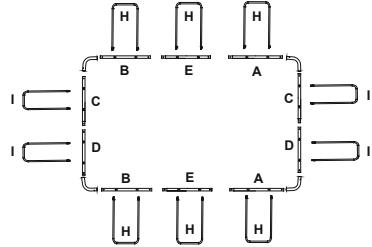


POWER STEEL™	2.82 m x 1.96 m x 94 cm (9'3" x 6'5" x 33")	4.04 m x 2.01 m x 1.00 m (13'3" x 6'7" x 39.5")	4.12 m x 2.01 m x 1.22 m (13'6" x 6'7" x 48")	4.88 m x 2.44 m x 1.22 m (16' x 8' x 48")	5.49 m x 2.74 m x 1.22 m (18' x 9' x 48")	5.49 m x 2.74 m x 1.32 m (18' x 9' x 52")	6.40 m x 2.74 m x 1.32 m (21' x 9' x 52")	7.32 m x 3.66 m x 1.32 m (24' x 12' x 52")	9.56 m x 4.88 m x 1.32 m (31'4" x 16' x 52")
	56629 / 56631	56441 / 56426 56442 / 56680 56721 / 56727	56456 / 56457 56458 / 56661 56722 / 56728	56670 / 56671 56672 / 56673 56995 / 56996	56465 / 56466 56467 / 56468 56997 / 56998	5619Q	5611Y / 5611Z 5612A / 5612B	56474 / 56475 56476 / 56477	56623 / 56625
A	x2	x2	x2	x2	x4	x4	x6	x8	x12
B	x2	x2	x2	x2	x2	x2	x2	x2	x2
C	x2	x2	x2	x0	x2	x2	x2	x2	x2
D	x2	x2	x2	x2	x2	x2	x2	x2	x2
E	x0	x2	x2	x2	x2	x2	x2	x2	x2
F	x0	x0	x0	x4	x0	x0	x0	x2	x4
G	x4	x4	x4	x4	x4	x4	x4	x4	x4
H	x4	x6	x6	x12	x12	x12	x14	x18	x24
I	x4	x4	x4	x0	x0	x0	x0	x0	x0
J	x1	x1	x1	x1	x1	x1	x1	x1	x1
K	x2	x2	x2	x2	x0	x0	x0	x0	x0
L	x1	x1	x1	x1	x1	x1	x1	x1	x1
M	x1	x1	x1	x1	x1	x1	x1	x1	x1
N	x0	x0	x0	x0	x2	x2	x2	x2	x2
O	x0	x0	x0	x0	x1	x1	x1	x1	x1
P	x0	x0	x0	x0	x1	x1	x1	x1	x1

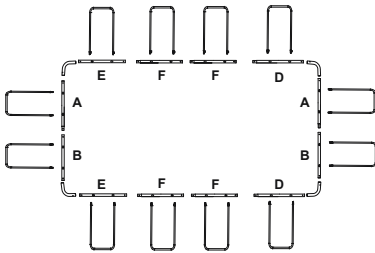
2.82 m x 1.96 m x 84 cm (9'3" x 6'5" x 33")



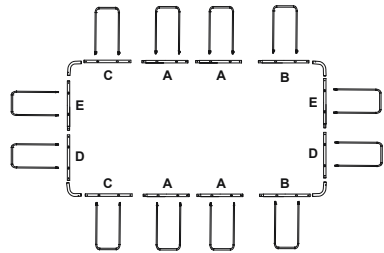
4.04 m x 2.01 m x 1.00 m (13'3" x 6'7" x 39.5")
4.12 m x 2.01 m x 1.22 m (13'6" x 6'7" x 48")



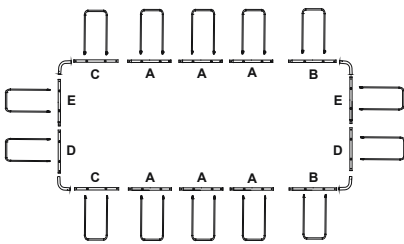
4.88 m x 2.44 m x 1.22 m (16' x 8' x 48")



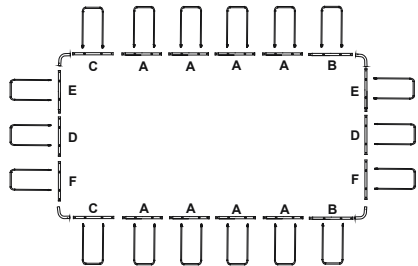
5.49 m x 2.74 m x 1.22 m (18' x 9' x 48")
5.49 m x 2.74 m x 1.32 m (18' x 9' x 52")



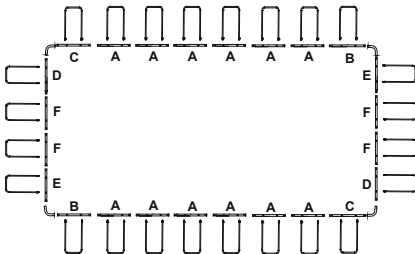
6.40 m x 2.74 m x 1.32 m (21' x 9' x 52")

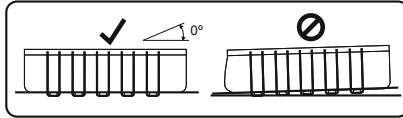


7.32 m x 3.66 m x 1.32 m (24' x 12' x 52")

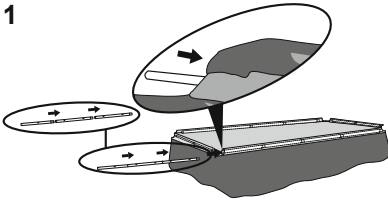


9.56 m x 4.88 m x 1.32 m (31'4" x 16' x 52")

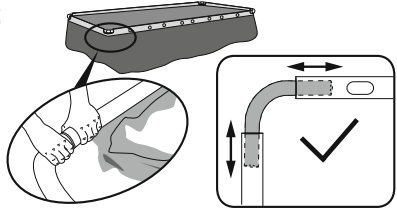




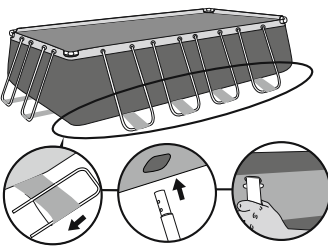
1



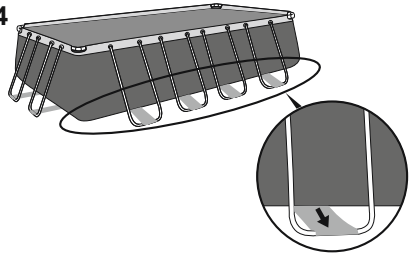
2



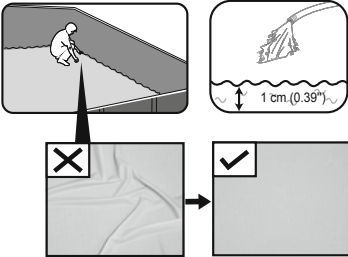
3



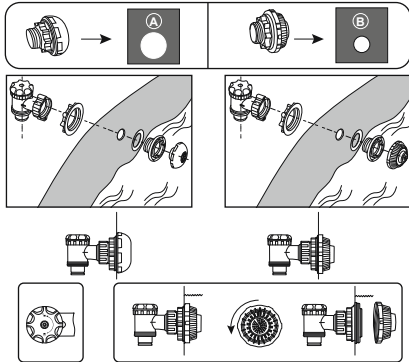
4



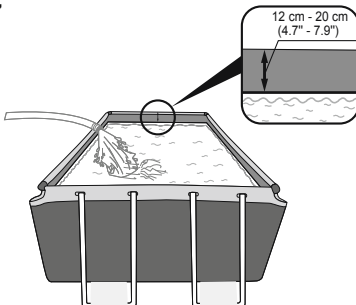
5

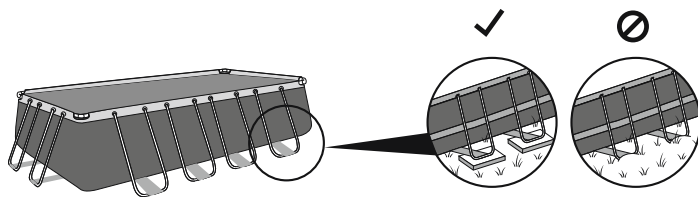


6

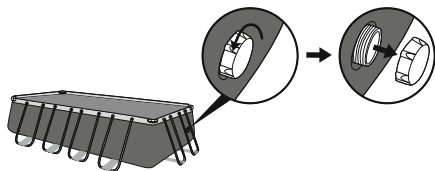


7

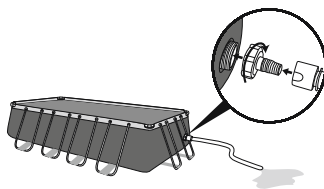




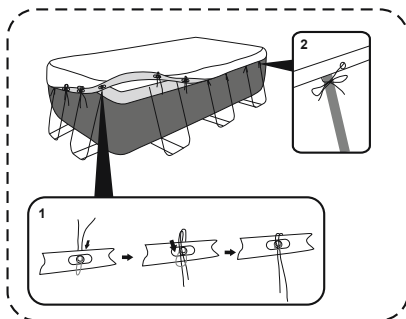
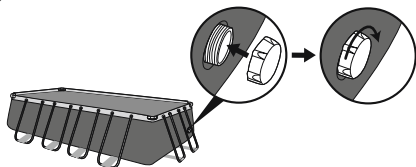
1



2



3





OWNER'S MANUAL



Visit the Bestway YouTube channel

IMPORTANT SAFETY INSTRUCTIONS

WARNING

READ AND FOLLOW ALL INSTRUCTIONS.

- Carefully read, understand, and follow all information in this user manual before installing and using the swimming pool. These warnings, instructions, and safety guidelines address some common risks of water recreation, but they cannot cover all risks and dangers in all cases. Always use caution, common sense, and good judgment when enjoying any water activity. Retain this information for future use. In addition, the following information can be supplied depending on the pool type.
- Keep these instructions in a safe place. If instructions are missing, please contact the manufacturer or search it on the website www.bestwaycorp.com.
- Designate a competent adult to supervise the pool each time it is being used.
- Barriers, pool covers, pool alarms, or similar safety devices are helpful aids, but they are not substitutes for continuous and competent adult supervision.

Safe use of the pool

- Encourage all users especially children to learn how to swim.
- Learn Basic Life Support (Cardiopulmonary Resuscitation CPR) and refresh this knowledge regularly. This can make a life-saving difference in the event of an emergency.
- Instruct all pool users, including children, what to do in case of an emergency.
- Never dive into any shallow body of water. This can lead to serious injury or death.
- Do not use the swimming pool when using alcohol or medication that may impair your ability to safely use the pool.

Safety devices

- In order to prevent children from drowning, it is recommended to secure the access to the pool with a protection device. In order to prevent children climbing from the inlet and outlet valve, it is recommended to install a barrier (and secure all doors and windows, where applicable) to prevent unauthorized access to the swimming pool.

Safety equipment

- It is recommended to keep rescue equipment (e.g. a ring buoy) by the pool.
- Keep a working phone and a list of emergency phone numbers near the pool.
- When pool covers are used, remove them completely from the water surface before entering the pool.
- Protect pool occupants from water related illnesses, by keeping the pool water treated and practicing good hygiene. Consult the water treatment guidelines in the user's manual.
- Store chemicals (e.g. water treatment, cleaning or disinfection products) out of the reach of children.
- Use the signage as outlined below. Signage is to be displayed in a prominent position within 2m of the pool.



Keep children under supervision in the aquatic environment. No diving.

- Removable ladders shall be placed on a horizontal surface.
- Irrespective of materials used for swimming pool construction, accessible surfaces have to be checked regularly to avoid injuries.
- Regularly monitor bolts and screws. Remove splinters or any sharp edges to avoid injuries.
- Do not leave the drained pool outside. The empty pool is liable to become deformed and/or displaced due to wind.
- If you have a filter pump, refer to the pump's manual for instructions.
- The pump cannot be used while people are inside the pool!
- If you have a ladder, refer to the ladder's manual for instructions.
- **WARNING!** The use of a swimming pool implies compliance with the safety instructions described in the operating and maintenance guide. In order to prevent drowning or other serious injuries, pay particular attention to the possibility of unexpected access to the swimming pool by children under 5 years by securing the access to it, and, during the bathing period, keep them under constant adult supervision.

Non Swimmers safety

- Continuous, active, and vigilant supervision of weak swimmers and non-swimmers by a competent adult is required at all times (remembering that children under five are at the highest risk of drowning).
- Weak swimmers or non-swimmers should wear personal protection equipment when using the pool.
- When the pool is not in use, or unsupervised, remove all toys from the swimming pool and its surrounding to avoid attracting children to the pool.

PLEASE READ CAREFULLY AND KEEP FOR FUTURE REFERENCE.

PRE-SETUP

CHECK LIST

Check the parts inside the manual. Verify that the equipment components represent the model that you had intended to purchase. In case of any damaged or missing parts at the time of purchase, visit our website bestwaycorp.com/support.

CHOOSE THE CORRECT LOCATION

The surface chosen to install the pool on must respect the following conditions:

- Because of the combined weight of the water inside the pool and the pool users, it is extremely important that the surface chosen to install the pool on is capable of uniformly supporting the total weight for the entire time the pool is installed. When choosing the surface, take into consideration that water may come out of the pool when in use or when it rains. If the water softens the surface, it may lose its capability to support the pool weight.
- Check the position of the vertical legs and/or the U-supports regularly. They must be on the same level as the bottom of the pool at all times. If the vertical leg or the U-support starts to sink into the ground, drain the pool water immediately to avoid the pool collapsing due to the uneven loading on the frame structure. Change the location of the pool or modify the surface material.
- The surface must be flat and smooth. If the surface is inclined or uneven, it can create an unbalanced loading on the structure of the pool. This can damage the welding points of the liner and bend the frame. In the worst cases, the pool can collapse, causing serious personal injury and/or damage to personal property.
- We recommend positioning the pool away from any objects children could use to climb into the pool.
- Position the pool near an adequate drainage system to deal with overflow or to empty the pool. Ensure the pool side with the water inlet A and outlet B is located in the same direction of the power source, where the filtration system has to be connected.
- The selected surface must be clear of any type of object. Due to the weight of the water, any object under the pool could damage or perforate the bottom of the pool.
- The selected surface must be clear of aggressive plants and weed species. Those types of strong vegetation could grow through the liner and create water leakage. Grass or other vegetation that may cause odor or slime to develop have to be eliminated from the set-up location.
- The selected location must not have overhead power lines or trees. Be sure the location does not contain underground utility pipes, lines or cables of any kind.
- The selected position must be far from house entrance. Do not position any equipment or other furniture around the pool. The water that comes out of the pool during use or due to product faults can damage furniture inside the house or surrounding the pool.
- The selected surface must be flat and without holes that can damage the material of the liner.

Supported set-up surfaces: grass, ground, concrete, and all other surfaces that respect the above set-up conditions.

- Surfaces to avoid:** mud, sand, gravel, deck, balcony, driveway, platform, soft/loose soil or other surface that does not meet the above set-up conditions.
- Check with your local city council for by-laws relating to fencing, barriers, lighting and safety requirements and ensure you comply with all laws.
 - If a pump and/or ladder is included in the set, refer to the pump's and/or ladder's manual for safety instructions and installation. The ladder must match the pool size.
 - If during set up it is necessary to change the position of the pool, lift up the liner and do not drag it on the ground; the friction between the PVC material and the ground can damage the pool liner.
 - **Follow the important instructions above to choose the correct surface and location to set up your pool. Damaged parts of the pool, due to the fact that the set-up surface and location does not match the instructions, will not be considered as manufacture defect and will avoid the warranty and any service claims.**

INSTALLATION

ASSEMBLING

- For installation instructions, follow the drawings inside the manual. Drawings are for illustration purposes only. May not reflect actual product. Not to scale.
- Assembly of the Frame Pool can be completed without tools.
- Installation usually takes approximately 20-30 minutes with 2-3 people excluding filling.
- To lengthen the life of your pool, it is important to sprinkle the top rails with the Talcum Powder before assembly. Talcum Powder is not included in the package.
- Bestway will not be responsible for damage caused to the pool due to mishandling or failure to follow these instructions.
- We strongly suggest opening the package and assembling the pool when the environment temperature is above 15°C / 59°F; the PVC material of the liner will become more flexible and easier to assemble.

FILLING POOL WITH WATER

- Do not leave pool unattended while filling with water.
- Fill the pool with water after all assembly steps are completed and until the water reaches the welding line, which corresponds to 90% of the full capacity.
- Do not overfill as this could cause the pool to collapse. In case of heavy rainfall, we strongly recommend to reduce the water level to keep it at 90% capacity, to avoid overflowing of the water.
- When the pool is completely filled, check that the distance between the water surface and the top of the rails is the same all around; if it is different, it means that the floor is not leveled so we strongly recommend to drain the water and re-level the ground.
- Keeping the pool full of water on unlevelled ground can cause bursting of the welding points and/or pool collapse, causing serious personal injury and/or damage to property.

MAINTENANCE

If you do not adhere to the maintenance guidelines below, your health might be at risk, especially that of your children.

WATER

- Keeping your pool water clean and chemically balanced is necessary. Simply cleaning the filter cartridge is not enough for proper maintenance; we recommend you use pool chemicals to maintain water chemistry and chlorine or bromine tablets (do not use granules) with the chemical dispenser.

- Water quality is directly related to frequency of use, number of users and overall maintenance of the pool. The water should be changed every 3 days if there is no chemical treatment being performed with the water. It is highly recommended to use tap water for filling to minimize the influence of unwanted content, such as minerals.
- We recommend that you take a shower before using your pool, as cosmetic products, lotions, and other residues on the skin can quickly degrade water quality.
- Skim pool regularly to avoid settled dirt.
- Locate a bucket of water next to pool to clean users' feet before entering pool.
- The chemical maintenance must be performed with ChemConnect or chemical floater; don't throw chemical products directly in the water, the chemical will deposit on the bottom and damage the material and discolor the PVC.

Chemical Tablets (Not Included):

- Your purchased pool set may not include any dispensers; in this case you can purchase one by visiting our website www.bestwaycorp.com or at the nearest pool dealer.
- Remove the chemical dispenser from pool when the pool is in use.
- After performing chemical maintenance and before using the pool, use a test kit (not included) to test the water chemistry. We recommend maintaining your water chemical balance as shown in the below table.

Parameters	Values
Water clarity	clear view of the pool bottom
Colour of the water	no colour should be observed
Turbidity in FNU/NTU	max. 1,5 (preferably less than 0,5)
Nitrate concentration above that of fill water in mg/l	max. 20
Total organic carbon (TOC) in mg/l	max. 4,0
Redox potential against Ag/AgCl 3,5 m KCl in mV	min. 650
pH value	6,8 to 7,6
Free active chlorine (without cyanuric acid) in mg/l	0,3 to 1,5
Free chlorine used in combination with cyanuric acid in mg/l	1,0 to 3,0
Cyanuric acid in mg/l	max. 100
Combined chlorine in mg/l	max. 0,5 (preferably close to 0,0 mg/l)

- Pool damage resulting from misuse of chemicals and mismanagement of pool water is not covered by the warranty.
- Over usage of chemicals will discolor the printing and all points of the pool material; in worst cases, it will damage the structure of the pool liner.
- Pool chemicals are potentially toxic and should be handled with care. There are serious health risks from chemical vapors and the incorrect labeling and storage of chemical containers.
- Please consult your local pool or chemical supply retailer for more information about chemical maintenance. Pay close attention to the chemical manufacturer's instructions.
- The pump is used to circulate the water and to filter small particles. In order to keep your pool water clean and hygienic, you must also add chemicals.

LINER

- We suggested that you buy a pool cover, if not included in the set, and cover the pool when not in use, to prevent any damage to the Duraplus material on the top rails. Gently clean any dirt deposit on the top rails with a clean cloth.

DISASSEMBLY AND STORAGE

DRAINING

- For draining, follow the drawings inside the manual. Drawings are for illustration purposes only. May not reflect actual product. Not to scale.
- To drain your pool water, check local regulations for drainage by-laws.

CLEANING

- Rinse the pool liner with tap water, to remove any residual of chemicals or dirt completely.
- Leave the pool under the sunlight until it's completely dried.
- To remove the remaining water completely, wipe the pool liner with a dry cloth.

STORAGE

- Remove all accessories; be sure that pool liner and accessories are completely clean and dry before the storage. If the pool is not completely dry, mold may result and will damage the pool liner during the storage period.
- Once pool is completely dry, sprinkle with talcum powder to prevent pool from sticking together.
- We strongly recommend disassembling the pool when the environment temperature is below 10°C / 50°F.
- Fold the pool liner only if the environment temperature is above 10°C / 50°F. Store the pool in a dry place with a moderate temperature between 10°C / 50°F and 38°C / 100°F and position the pool liner and all accessories inside a carton box, to better protect the PVC material during the winter period.

REPAIR

- In the event of a leak, patch your pool using the underwater adhesive repair patch provided. You can find the instructions in FAQs on the support section of our website, www.bestwaycorp.com/support.



GEBRAUCHSANWEISUNG



Besuchen Sie Bestway® auf YouTube

WICHTIGE SICHERHEITSHINWEISE

⚠ ACHTUNG

BITTE SORGFÄLTIG DURCHLESEN

- Vor dem Bau und der Benutzung des Schwimmbeckens werden sämtliche Informationen in dieser Anleitung sorgfältig gelesen, verstanden und befolgt. Diese Warnhinweise, Anleitungen und Sicherheitsrichtlinien umfassen einige allgemeine Risiken in Bezug auf Freizeitbeschäftigung im Wasser, sie können jedoch nicht sämtliche Risiken und Gefährdungen in allen Fällen behandeln. Bei jeglicher Aktivität im Wasser wird Vorsicht, gesunder Menschenverstand und gutes Urteilsvermögen walten gelassen. Diese Angaben werden für die spätere Nutzung aufbewahrt. Darüber hinaus, können je nach Art des Pools die folgenden Angaben voneinander abweichen.
- Sollte keine Gebrauchsanweisung beiliegen, besuchen Sie uns unter www.bestwaycorp.com / www.bestwayservice.de (DE / A).
- Es wird eine sachkundige erwachsene Person bestimmt, die das Becken überwacht, wenn es benutzt wird.
- Absperrrungen, Beckenabdeckungen, Alarmanlagen oder ähnliche Sicherheitsvorrichtungen sind sinnvolle Hilfsmittel, ersetzen jedoch keine ständige und sachkundige Überwachung durch erwachsene Personen.

Sichere Nutzung des Schwimmbeckens

- Sämtliche Nutzer, insbesondere Kinder, werden dazu ermuntert, schwimmen zu lernen.
- Erste Hilfe (Herz-Lungen-Wiederbelebung) erlernen und diese Kenntnisse regelmäßig auffrischen. Das kann bei einem Notfall einen lebensrettenden Unterschied ausmachen.
- Sämtliche Beckenbenutzer, einschließlich Kinder, anweisen, was in einem Notfall zu tun ist.
- Niemand in flaches Wasser springen. Das kann zu schweren Verletzungen oder zum Tode führen.
- Das Schwimmbecken nicht benutzen, wenn man unter dem Einfluss von Alkohol oder Medikamenten steht, welche die Fähigkeit zur sicheren Nutzung des Beckens beeinträchtigen können.

Sicherheitsvorrichtungen

- Um das Ertrinken von Kindern zu verhindern, wird empfohlen, den Zugang zum Schwimmbecken mit einer Schutzvorrichtung zu sichern. Um zu verhindern, dass Ein- und Auslassventile den Kindern als Einstiegshilfe dienen könnten, es wird empfohlen, eine Absperrung zu errichten (und sämtliche Türen und Fenster zu sichern, sofern zutreffend), um unberechtigten Zutritt zum Schwimmbecken zu vermeiden.

Sicherheitsausrüstung

- Es wird empfohlen, Rettungsausrüstung (z. B. einen Rettungsring) in der Nähe des Beckens aufzubewahren.
- Ein funktionierendes Telefon und eine Liste von Notrufnummern werden in der Nähe des Schwimmbeckens aufbewahrt.
- Beckenabdeckungen vor dem Betreten des Schwimmbeckens vollständig von der Wasseroberfläche entfernen, wenn sie verwendet werden.
- Die Nutzer des Schwimmbeckens werden vor durch das Wasser verbreiteten Krankheiten geschützt, indem das Wasser stets aufbereitet und hygienisch unbedenklich gehalten wird. Die Richtlinien zur Wasseraufbereitung in der Gebrauchsanleitung werden zu Rate gezogen.
- Chemikalien (z. B. Produkte für die Wasseraufbereitung, Reinigung oder Desinfektion) außerhalb der Reichweite von Kindern aufbewahren.
- Die nachstehenden Zeichen werden verwendet. Die Zeichen sind an einer gut sichtbaren Stelle innerhalb von 2m in der Nähe des Schwimmbeckens anzubringen.



Kinder im Wasser und der Wasserumgebung stets beaufsichtigen. Nicht springen.

- Abnehmbare Leitern sind auf einer waagerechten Fläche anzuordnen.
- Zugängliche Flächen müssen regelmäßig überprüft werden, um Verletzungen zu vermeiden, unabhängig von den für den Bau des Schwimmbeckens verwendeten Materialien.
- Kontrollieren Sie in regelmäßigen Abständen Bolzen und Schrauben und entfernen Sie dabei alle Splitter oder scharfe Kanten, um Schnittverletzungen zu vermeiden.
- Lassen Sie den Pool im entleerten Zustand nicht im Freien stehen. Durch auftretende Winde droht ein Verrutschen des Pools sowie Verformungen des Stahlrahmens.
- Wenn Sie eine Filterpumpe besitzen, lesen Sie bitte die entsprechende Gebrauchsanweisung.
- Die Pumpe darf nicht benutzt werden, wenn sich Personen im Pool aufhalten.
- Wenn Sie eine Sicherheitsleiter besitzen, lesen Sie bitte die entsprechende Gebrauchsanweisung.
- **ACHTUNG!** Die Verwendung eines Schwimmbeckens-Bausatzes setzt voraus, dass er mit den Sicherheitsvorschriften übereinstimmt, die in der Betriebs- und Wartungsanleitung beschrieben sind. Um ein Ertrinken oder andere ernsthafte Verletzungen zu verhindern, wird besondere Aufmerksamkeit darauf gerichtet, den Zugang zum Schwimmbecken zu sichern, da sich Kinder unter 5 Jahren unerwartet Zugang zum Schwimmbecken verschaffen können, und beim Baden werden die Kinder ununterbrochen von einer erwachsenen Aufsichtsperson beaufsichtigt.

Sicherheit von Nichtschwimmern

- Es ist jederzeit eine ständige, aktive und wachsame Beaufsichtigung schwacher Schwimmer und Nichtschwimmer durch eine sachkundige erwachsene Aufsichtsperson erforderlich (es wird daran erinnert, dass das größte Risiko des Ertrinkens bei Kindern unter 5 Jahren besteht).
- Schwache Schwimmer oder Nichtschwimmer sollten persönliche Schutzausrüstung tragen, wenn sie ins Schwimmbecken gehen.
- Wenn das Schwimmbecken nicht benutzt oder überwacht wird, werden sämtliche Spielsachen aus dem Schwimmbecken und seiner Umgebung entfernt, um zu verhindern, dass Kinder davon angezogen werden.

BITTE SORGFÄLTIG LESEN UND FÜR SPÄTERES NACHSCHLAGEN AUFBEWAHREN.

VOR DEM AUFBAU

CHECKLISTE

Überprüfen Sie den Verpackungsinhalt mithilfe der Gebrauchsanweisung auf seine Vollständigkeit. Vergewissern Sie sich, dass die Komponenten dem von Ihnen

gekauften Modell entsprechen. Sollten zum Zeitpunkt des Kaufs Teile beschädigt sein oder fehlen, besuchen Sie uns unter www.bestwaycorp.com/support / www.bestwayservice.de (DE / A).

DEN RICHTIGEN STANDORT AUSWÄHLEN

Die Oberfläche, auf dem der Pool aufgebaut werden soll, muss folgende Voraussetzungen erfüllen:

- Aufgrund des kombinierten Gewichts aus Wasser im Benutzer ist es äußerst wichtig, dass der gewählte Untergrund in der Lage ist, dieses während der gesamten Badesaison vollständig tragen zu können. Dabei sind auch Einflüsse wie Regen oder überschwappendes Wasser zu beachten, da diese den Boden aufweichen können.
- Überprüfen Sie regelmäßig die Position der Poolbeine / Füße sowie der seitlichen U-Träger. Diese müssen sich stets auf derselben Höhe wie der Poolboden befinden. Sollten Füße und U-Träger anfangen im Boden zu versinken, lassen Sie das Wasser sofort ab, um ein Zusammenbrechen des Pools zu verhindern. Stellen Sie diesen im Anschluss einer anderen Stelle wieder auf oder verstärken Sie den Untergrund.
- Die Oberfläche muss absolut eben sein. Liegt eine Unebenheit oder Gefälle vor, kann dies zu einer ungleichmäßigen Belastung des Pools führen. Die Schweißpunkte der Folie können dadurch beschädigt und der Rahmen verbogen werden. Dies kann im schlimmsten Fall zum Einsturz des Pools bis hin zu schweren Personen- und/oder Sachschäden führen.
- Wir empfehlen, den Pool nicht in der Nähe von Gegenständen aufzustellen, welche Kindern das Hineinklettern ermöglichen könnten.
- Platzieren Sie den Pool in der Nähe eines geeigneten Abflusssystems, um ein Überlaufen zu verhindern oder diesen zu entleeren. Stellen Sie sicher, dass die Beckenseite mit Wassereinlass A und Wasserauslass B in der gleichen Richtung wie die Stromquelle liegt, an die das Filtersystem angeschlossen werden muss.
- Die gewählte Oberfläche muss frei von jeglichen Gegenständen sein. Aufgrund des Gewichts des Wassers könnte jeder Gegenstand unter dem Poolboden das Material beschädigen.
- Die gewählte Oberfläche muss frei von aggressiven Pflanzen und Unkrautarten sein. Zu starker Bewuchs könnte sich durch die Folie hindurchfressen und zu einem Wasseraustritt führen. Gras oder andere Pflanzen, die zu Geruchs- oder Schleimbildung führen können, müssen vom gewählten Standort entfernt werden.
- Am gewählten Standort dürfen sich keine Freileitungen oder Bäume befinden. Vergewissern Sie sich, dass der Standort keine unterirdischen Versorgungsrohre, -leitungen oder -kabel jeglicher Art enthält.
- Der gewählte Standort muss sich weit genug vom Hauseingang entfernt befinden. Platzieren Sie keine Geräte oder Möbel um den Pool herum. Überlaufendes Wasser könnte diese beschädigen.
- Die gewählte darf keine Löcher aufweisen.

Empfohlene Oberflächen: Gras, Boden, Beton und alle anderen Oberflächen, welche die oben genannten Voraussetzungen erfüllen.

Nicht empfohlene Oberflächen: Schlamm, Sand, Kies, Terrasse, Balkon, Einfahrt, Plattform, weicher/lockerer Boden und alle anderen Untergründe, welche die oben genannten nicht Voraussetzungen erfüllen.

- Erkundigen Sie sich bei Ihrer örtlichen Stadtverwaltung nach den gesetzlichen Bestimmungen in Bezug auf Zäune, Absperrungen, Beleuchtung und Sicherheitsanforderungen und stellen Sie sicher, dass Sie alle Gesetze einhalten.
- Wenn eine Pumpe und/oder eine Sicherheitsleiter im Set enthalten ist, lesen Sie hierfür bitte die jeweils entsprechenden Gebrauchsanweisungen. Die Sicherheitsleiter muss der Größe des Schwimmbeckens entsprechen.
- Sollte es während des Aufbaus notwendig sein, die Position des Pools zu verändern, heben Sie die Poolfolie an und ziehen Sie diese nicht über den Boden. Die Reibung zwischen dem PVC und dem Boden kann die Poolfolie beschädigen.
- **Beschädigte Komponente des Pools, die auf einen ungeeigneten Untergrund zurückzuführen sind, können nicht als Herstellungsfehler betrachtet werden und führen zum Erlöschen jeglicher Garantiansprüche.**

INSTALLATION

AUFBAU

- Befolgen Sie die Installationsanweisungen gemäß der in der Gebrauchsanweisung abgebildeten Zeichnungen. Diese dienen lediglich zur Veranschaulichung und spiegeln möglicherweise nicht das tatsächliche Produkt wider. Nicht maßstabsgetreu.
- Der Aufbau eines Stahlrahmenpools ist ohne den Einsatz von Werkzeug möglich.
- Der Aufbau ohne Befüllung dauert mit 2-3 Personen in der Regel ca. 20-30 Minuten.
- Um in die Lebensdauer Ihres Pools zu verlängern, ist es wichtig, die oberen Schienen vor dem Aufbau mit Talkumpuder zu bestreuen (nicht im Lieferumfang enthalten).
- Bestway® übernimmt keine Verantwortung für Schäden, die auf die unsachgemäße Handhabung oder Nichtbeachtung dieser Anweisungen zurückzuführen.
- Wir empfehlen dringend, den Pool nur zu montieren, wenn die Außentemperatur mehr 15°C beträgt; das PVC-Material der Poolfolie wird dann flexibler und lässt sich leichter handhaben.

BEFÜLLUNG

- Lassen Sie den Pool wegen der Befüllung nicht unbeaufsichtigt.
- Füllen Sie das den Pool bis zur Schweißlinie mit Wasser. Dies entspricht 90 % der maximalen Wasserkapazität.
- Befüllen Sie den Pool nicht übermäßig, da dies zum Einsturz führen kann. Bei starken Regenfällen empfehlen wir dringend, den Wasserstand vorab zu reduzieren, um ein Überlaufen zu verhindern.
- Wenn das Becken vollständig gefüllt ist, überprüfen Sie, ob der Abstand zwischen der Wasseroberfläche und der Oberkante des Gestänges überall gleich ist... Ist dies nicht der Fall, deutet das auf Unebenheiten des Untergrunds hin.
- Ein mit Wasser gefüllter Pool auf unebenem Boden kann zum Bersten der Schweißpunkte und/oder zum Einsturz des Beckens führen, was schwere Personen- und/oder Sachschäden verursachen kann.

WARTUNG

Das Nichtbefolgen der folgenden Wartungshinweise, kann birgt ernsthafte gesundheitliche Risiken für Sie und Ihre Kinder.

WASSER

- Es ist wichtig, das Wasser Ihres Pools stets sauber und chemisch ausgewogen zu halten. Eine einfache Reinigung der Filterkartusche reicht für eine ordnungsgemäße Wartung nicht aus. Wir empfehlen Ihnen daher den ordnungsgemäßen Einsatz von Pool-Chemie in Form von Chlor- oder Bromtablets (kein Granulat) im Zusammenhang mit dem Chemikaliendosierer zu verwenden. Die Chemietabletten sind nicht im Lieferumfang enthalten.
- Die Wasserqualität steht in direktem Zusammenhang mit der Häufigkeit der Nutzung, der Anzahl der Personen sowie der allgemeinen Pflege des Pools. Wird keine chemische Behandlung des Wassers durchgeführt wird, sollte dieses alle 3 Tage gewechselt werden. Verwenden Sie zur Befüllung in jedem Fall Leitungswasser, um den Einfluss unerwünschter Inhaltsstoffe, wie z. B. Mineralien, zu minimieren.
- Wir empfehlen Ihnen, sich vor der Benutzung des Pools abzusuchen, da Kosmetikprodukte, Lotionen und andere Rückstände auf der Haut die Wasserqualität beeinflussen können.
- Entfernen Sie regelmäßig alle Schmutzablagerungen aus dem Pool.
- Stellen Sie einen Eimer mit Wasser neben Ihren Pool, um die Füße der Benutzer zu reinigen, bevor sie diesen Becken betreten.
- Die chemische Aufbereitung muss mit einem ChemConnect™ Chemikaliendosierer oder einem Dosierschwimmer durchgeführt werden. Chemikalien dürfen niemals direkt ins Wasser gegeben werden, da sich diese am Boden absetzen und das Material verfärben oder beschädigen können.

Chemietabletten (nicht im Lieferumfang enthalten):

- Das von Ihnen erworbene Pool-Set enthält möglicherweise keinen ChemConnect™ Chemikaliendosierer. In diesem Fall können Sie diesen unter www.bestwaycorp.com / www.bestwaystore.de (DE / A) oder beim nächsten Händler erwerben.
- Entfernen Sie den Chemikaliendosierer, wenn der Pool in Gebrauch ist.
- Verwenden Sie nach dem Einsatz Poolchemie und vor der Benutzung des Pools Teststreifen (nicht im Lieferumfang enthalten), um den Chemikaliengehalt zu überprüfen. Die folgende Tabelle dient hier als Orientierungshilfe.

Parameter	Wert
Wasserklarheit	Klare Sicht auf Poolboden
Wasserfarbe	Keine Färbung
Trübung in FNU/NTU	Max. 1,5 (optimal: < 0,5)
Nitratkonzentration über dem Wert des Füllwassers (mg/l)	Max. 20
Menge an organischem Kohlenstoff (TOC) (mg/l)	Max. 4,0
Redoxpotential gegen Ag / AgCl 3,5 m KCl in mV	Min. 650
PH-Wert	6,8 - 7,6
Freies Aktivchlor (ohne Cyanursäure) (mg/l)	0,3 - 1,5
Freies Chlor in Kombination mit Cyanursäure (mg/l)	1,0 - 3,0
Cyanursäure (mg/l)	Max. 100
Kombiniertes Chlor (mg/l)	Max. 0,5 (optimal nahe 0,0)

- Schäden am Pool, welche sich auf einen unsachgemäßen Einsatz von Pool-Chemie zurückführen lassen, sind nicht durch die Herstellergarantie abgedeckt.
- Eine übermäßige Verwendung von Chemikalien kann zu Verfärbungen des Materials führen und im schlimmsten Fall die Poolfolie beschädigen.
- Chemikalien sind potenziell giftig und sollten stets mit Vorsicht gehandhabt werden. Chemische Dämpfe, sowie die falsche Kennzeichnung wie Lagerung von Chemikalien können ernsthafte gesundheitliche Risiken darstellen.
- Weitere Informationen erhalten Sie bei Ihrem örtlichen Händler. Beachten Sie dabei unbedingt die Anweisungen des Chemikalienherstellers.
- Die Pumpe dient der Umwälzung des Wassers und dem Einfangen kleiner Schmutzpartikel. Um Ihr Poolwasser darüber hinaus stets sauber und hygienisch zu halten, müssen dem Wasser zusätzlich Chemikalien hinzugefügt werden.

POOLFOLIE

- Wir empfehlen Ihnen den Kauf einer Abdeckplane, insofern diese nicht im Set enthalten ist. So können Sie Ihren Pool bei Nichtbenutzung abdecken. Entfernen Sie eventuelle Schmutzablagerungen auf den oberen Stangen vorsichtig mit einem Tuch.

AUFBAU UND LAGERUNG

ABLASSEN

- Zum Ablassen des Wassers folgen Sie bitte den entsprechenden Abbildungen in der Gebrauchsanweisung. Diese dienen lediglich zur Veranschaulichung und spiegeln möglicherweise nicht das tatsächliche Produkt wider. Nicht maßstabsgetreu.
- Informieren Sie sich außerdem über die örtlich geltenden Vorschriften zur Wasserentsorgung.

REINIGUNG

- Spülen Sie die Poolfolie mit Leitungswasser ab, um alle Chemikalien- und Schmutzreste vollständig zu entfernen.
- Lassen Sie den Pool in der Sonne vollständig trocknen.
- Um das restliche Wasser vollständig zu entfernen, wischen Sie die Poolfolie mit einem trockenen Tuch ab.

LAGERUNG

- Entfernen Sie sämtliches Zubehör und stellen Sie sicher, dass die Poolfolie und das Zubehör vor der Einlagerung vollständig sauber und trocken sind. Ist dies nicht der Fall, kann sich Schimmel bilden und die Poolfolie während der Lagerung beschädigen.
- Wenn das Schwimmbecken vollständig getrocknet ist, bestreuen Sie es mit Talkumpuder, um ein Zusammenkleben zu verhindern.
- Wir empfehlen dringend, den Pool bei einer Außentemperatur unter 10°C abzubauen.
- Falten Sie die Poolfolie nur zusammen, wenn die Außentemperatur über 10°C liegt. Lagern Sie das Schwimmbecken an einem trockenen Ort mit einer moderaten Temperatur zwischen 10 und 38°C. Verwenden Sie für die Lagerung einen Karton, um das PVC-Material während der Winterzeit besser zu schützen.

REPARATUR

Im Falle eines Lecks reparieren Sie Ihren Pool mit dem mitgelieferten Reparaturflicken. Weitere Informationen finden Sie unter www.bestwaycorp.com/support / www.bestwayservice.de (DE / A).

Vielen Dank für Ihren Kauf eines Bestway Produktes!

(DE)

Verlängern Sie Jetzt **kostenlos** die Garantie Ihres Produktes!
Registrieren Sie Ihr Produkt innerhalb von 30 Tagen nach Kaufdatum und in nur wenigen Minuten erhalten Sie eine kostenlose Verlängerung der Herstellergarantie um 6 Monate!

Besuchen Sie sofort **WWW.BESTWAYREGISTRIERUNG.DE**

und registrieren Ihr Produkt!

Diese Möglichkeit der Garantieverlängerung gilt nur in folgenden Ländern:
Deutschland, Belgien, Frankreich, Italien, Luxemburg, Spanien.



GEBRUIKERSHANDLEIDING



Bezoek het Bestway YouTube kanaal

BELANGRIJKE VEILIGHEIDSINSTRUCTIES

⚠ WAARSCHUWING LEES EN VOLG ALLE INSTRUCTIES.

- Lees, begrijp en volg alle informatie in deze gebruikershandleiding zorgvuldig voordat u het zwembad opzet en gebruikt. Deze waarschuwingen, instructies en veiligheidsrichtlijnen behandelen enkele veelvoorkomende risico's, maar ze kunnen niet alle mogelijke risico's en gevaren dekken. Wees altijd voorzichtig en gebruik gezond verstand wanneer u van enige wateractiviteit geniet. Bewaar deze informatie voor toekomstig gebruik. Bovendien kan de volgende informatie verkregen worden, afhankelijk van het type zwembad.
- Bewaar de gebruiksaanwijzing op een veilige plaats. Als er instructies ontbreken, neem dan contact op met de fabrikant of zoek ernaar op de website www.bestwaycorp.com.
- Wijs een competente volwassene aan om toezicht te houden op het zwembad bij elk gebruik.
- Barrières, zwembadafdekkingen, zwembadalarmen of soortgelijke veiligheidsvoorzieningen zijn nuttige hulpmiddelen, maar ze zijn geen vervanging voor continu en competent toezicht van volwassenen.

Veilig gebruik van het zwembad

- Moedig alle gebruikers, vooral kinderen, aan om te leren zwemmen.
- Leer eerste hulp ondersteuning (cardiopulmonale reanimatie - CPR) en vernieuw deze kennis regelmatig. Dit kan een levensreddend verschil maken in geval van nood.
- Vertel alle zwembad gebruikers, inclusief kinderen, wat ze moeten doen in geval van nood.
- Duik nooit in ondiep water. Dit kan leiden tot ernstig letsel of een sterfgeval.
- Gebruik het zwembad niet wanneer u alcohol of medicijnen gebruikt die het vermogen van de badgasten om het zwembad veilig te gebruiken, kunnen aantasten.

Veiligheidsstoelstellen

- Om te voorkomen dat kinderen verdrinken, is het aan te raden om de toegang tot het zwembad te beveiligen met een beschermingsvoorziening. Om te voorkomen dat kinderen op de in- en uitlaatklep klimmen, wordt aanbevolen om een barrière te installeren (en indien van toepassing alle deuren en ramen te beveiligen) om onbevoegde toegang tot het zwembad te voorkomen.

Veiligheids uitrusting

- Het wordt aanbevolen om reddingsuitrusting (bijv. een ringboei) bij het zwembad te bewaren.
- Houd een werkende telefoon en een lijst met noodnummers in de buurt van het zwembad.
- Wanneer zwembadafdekkingen worden gebruikt, verwijder deze dan volledig van het wateroppervlak voordat u het zwembad ingaat.
- Bescherm zwembadgebruikers tegen water gerelateerde ziekten door het zwembadwater te behandelen en goede hygiëne in acht te nemen. Raadpleeg de richtlijnen voor waterbehandeling in de gebruikershandleiding.
- Bewaar chemicaliën (bijv. waterbehandelings-, reinigings- of desinfectieproducten) buiten het bereik van kinderen.
- Gebruik de bordes zoals hieronder beschreven. Het moet op een prominente plaats binnen 2 meter van het zwembad worden weergegeven.



Houd kinderen onder toezicht in het watermilieu. Niet duiken.

- Verwijderbare ladders moeten op een horizontaal oppervlak worden geplaatst.
- Ongeacht de materialen die worden gebruikt voor de constructie van het zwembad, moeten toegankelijke oppervlakken regelmatig worden gecontroleerd om verwondingen te voorkomen.
- Controleer regelmatig bouten en schroeven. Verwijder splinters of scherpe randen om verwondingen te voorkomen.
- Laat het teegelopen zwembad niet buiten staan. Het lege zwembad kan door wind vervormd en/of verplaatst worden.
- Als u een filterpomp heeft, raadpleeg dan de handleiding van de pomp voor instructies.
- De pomp kan niet worden gebruikt als er mensen in het zwembad zijn!
- Als u een ladder heeft, raadpleeg dan de handleiding van de ladder voor instructies.
- **WAARSCHUWING!** Het gebruik van een zwembad impliceert de naleving van de veiligheidsinstructies beschreven in de gebruiks- en onderhoudsgids. Om verdrinking of ander ernstig letsel te voorkomen, dient u bijzondere aandacht te besteden aan de mogelijkheid van onverwachte toegang tot het zwembad door kinderen jonger dan 5 jaar door de toegang tot het zwembad te beveiligen en hen tijdens het baden onder constant toezicht van een volwassene te houden.

Veiligheid voor Niet-Zwemmers

- Voortdurend, actief en waakzaam toezicht door een competente volwassene is te allen tijde vereist voor zwakke zwemmers en niet-zwemmers (onthoud dat kinderen jonger dan vijf jaar het grootste risico lopen om te verdrinken).
- Zwakke zwemmers of niet-zwemmers moeten persoonlijke beschermingsmiddelen dragen tijdens het gebruik van het zwembad.
- Als het zwembad niet in gebruik is of er geen toezicht is, verwijder dan al het speelgoed uit het zwembad en de omgeving rond het zwembad om te voorkomen dat kinderen er naar toe gaan.

LEES ZORGVULDIG EN BEWAAR VOOR TOEKOMSTIGE REFERENTIE.

PRE-SETUP

CHECK LIST

Controleer de onderdelen in de handleiding. Controleer of de apparatuurcomponenten het model vertegenwoordigen dat u van plan was te kopen. In het geval van beschadigde of ontbrekende onderdelen op het moment van aankoop; bezoek dan onze website bestwaycorp.com/support.

KIES DE JUISTE LOCATIE

Het oppervlak dat is gekozen om het zwembad op te installeren, moet aan de volgende voorwaarden voldoen:

- Vanwege het gecombineerde gewicht van het water in het zwembad en de gebruikers van het zwembad, is het uiterst belangrijk dat het gekozen oppervlak om het zwembad op te zetten in staat is om het totale gewicht gelijkmatig te dragen gedurende de hele tijd dat het zwembad is geïnstalleerd. Houd er bij de keuze van de ondergrond rekening mee dat er water uit het zwembad kan komen bij gebruik of bij regen. Als het water het oppervlak zachter maakt, kan het zijn vermogen verliezen om het gewicht van het zwembad te dragen.
- Controleer regelmatig de stand van de verticale poten en/of de U-steunen. Ze moeten zich te allen tijde op hetzelfde niveau als de bodem van het zwembad bevinden. Als de verticale poot of de U-steun in de grond begint te zakken, laat het zwembadwater dan onmiddellijk weglopen om te voorkomen dat het zwembad bezwijkt door de ongelijkmatige belasting van de framestructuur. Verander dan de locatie van het zwembad of wijzig het oppervlakmateriaal.
- Het oppervlak moet vlak en glad zijn. Als het oppervlak schuin of oneffen is, kan dit een onevenwichtige belasting op de structuur van het zwembad veroorzaken. Dit kan de laspunten van de voering beschadigen en het frame verbuigen. In het ergste geval kan het zwembad instorten, met ernstig persoonlijk letsel en/of schade aan persoonlijke eigendommen tot gevolg.
- We raden aan om het zwembad uit de buurt van voorwerpen te plaatsen die kinderen kunnen gebruiken om in het zwembad te klimmen.
- Plaats het zwembad in de buurt van een geschikt afvoersysteem om overstroming op te vangen of om het zwembad te legen. Zorg ervoor dat de kant van het zwembad met de waterinlaat A en -uitlaat B zich in dezelfde richting van de stroombron bevinden, waar het filtersysteem moet worden aangesloten.
- Het gekozen oppervlak moet vrij zijn van elk type object. Vanwege het gewicht van het water, kan elk object onder het zwembad de bodem beschadigen of perforeren.
- Het geselecteerde oppervlak moet vrij zijn van agressieve planten en onkruidsoorten. Die soorten sterke vegetatie zouden door de voering kunnen groeien en waterlekage creëren. Gras of andere vegetatie die geur of slijm kunnen ontwikkelen moeten worden verwijderd uit de opzetlocatie.
- De geselecteerde locatie mag geen bovengrondse hoogspanningslijnen of bomen hebben. Zorg ervoor dat de locatie geen ondergrondse leidingen of kabels van welke aard dan ook bevat.
- De geselecteerde positie moet ver van de ingang van het huis zijn. Plaats geen apparaat of ander meubilair rond het zwembad. Het water dat tijdens het gebruik of door een defect uit het zwembad komt, kan het meubilair in huis of rond het zwembad beschadigen.
- Het geselecteerde oppervlak moet vlak zijn en zonder gaten die het materiaal van de voering kunnen beschadigen.

Aanbevolen Oppervlakken: gras, grond, beton en alle andere oppervlakken die voldoen aan de bovenstaande voorwaarden.

Niet Aanbevolen Oppervlakken: modder, zand, grind, terras, balkon, oprit, zachte/losse grond of andere ondergrond die niet aan bovenstaande voorwaarden voldoet.

- Neem contact op met uw plaatselijke overheid voor regelgevingen met betrekking tot omheiningen, slagbomen, verlichting en veiligheidsvereisten en zorg ervoor dat u aan alle wetten voldoet.
- Als er een pomp en/of ladder in de set zit, raadpleeg dan de handleiding van de pomp en/of ladder voor veiligheidsinstructies en installatie. De ladder moet overeenkomen met de grootte van het zwembad.
- Als het tijdens het opzetten nodig is om de positie van het zwembad te veranderen, til dan de voering op en sleep het niet over de grond; de wrijving tussen het PVC materiaal en de grond kan de voering van het zwembad beschadigen.
- **Volg de belangrijke instructies hierboven om het juiste oppervlak en de juiste locatie te kiezen om uw zwembad op te zetten. Beschadigde onderdelen van het zwembad, vanwege het feit dat het opsteloppervlak en de locatie niet overeenkomen met de instructies, zullen niet worden beschouwd als fabricagefouten en zullen geen gebruik maken van de garantie en eventuele serviceclaims.**

INSTALLATIE

IN ELKAAR ZETTEN

- Volg voor installatie instructies de tekeningen in de handleiding. Tekeningen zijn alleen ter illustratie. Ze geven mogelijk niet het werkelijke product weer. Niet op schaal.
- De montage van de Frame Pool kan zonder gereedschap worden uitgevoerd.
- Het opzetten duurt meestal ongeveer 20-30 minuten met 2-3 personen exclusief vulling.
- Om de levensduur van uw zwembad te verlengen, is het belangrijk om voor de montage de bovenrails met talkpoeder te besprenkelen. Talkpoeder is niet inbegrepen in de verpakking.
- Bestway is niet verantwoordelijk voor schade aan het zwembad veroorzaakt door verkeerd gebruik of het niet opvolgen van deze instructies.
- We raden ten eerste aan om de verpakking te openen en het zwembad in elkaar te zetten wanneer de omgevingstemperatuur hoger is dan 15°C / 59°F; het PVC materiaal van de voering zal flexibeler worden en is dan gemakkelijker te monteren.

ZWEMBAD VULLEN MET WATER

- Laat het zwembad niet onbeheerd achter tijdens het vullen met water.
- Vul het zwembad met water nadat alle stappen voor het opzetten zijn voltooid en vul totdat het water de laslijn bereikt, wat overeenkomt met 90% van de volledige capaciteit.
- Niet te vol vullen, omdat dit ertoe kan leiden dat het zwembad instort. In geval van hevige regenval raden we ten eerste aan om het waterpeil te verlagen om het op 90% van de capaciteit te houden, om te voorkomen dat het water overloopt.
- Controleer of de afstand tussen het wateroppervlak en de bovenkant van de rails overal gelijk is wanneer het zwembad volledig gevuld is; als het anders is, betekent dit dat de vloer niet is geëgaliseerd, dus we raden ten eerste aan om dan het water af te voeren en de grond opnieuw te egaliseren.
- Als het zwembad vol water op een ongelijke ondergrond blijft staan, kunnen de laspunten barsten en/of kan het zwembad instorten, met ernstig persoonlijk letsel en/of materiële schade tot gevolg.

ONDERHOUD

Als u zich niet aan de onderstaande onderhoudsrichtlijnen houdt, kan uw gezondheid in gevaar komen, vooral die van uw kinderen.

WATER

- Het is noodzakelijk om uw zwembadwater schoon en chemisch gebalanceerd te houden. Het reinigen van de filterpatroon op zichzelf is niet voldoende voor goed onderhoud; we raden u aan om zwembadchemicaliën te gebruiken om de waterchemie te behouden en chloor- of broomtabletten te gebruiken met de chemicaliëndispenser (gebruik geen korrels).
- De waterkwaliteit is direct gerelateerd aan de gebruiksfrequentie, het aantal gebruikers en het algehele onderhoud van het zwembad. Het water moet om de 3 dagen worden ververs als er geen chemische behandeling met het water wordt uitgevoerd. Het wordt sterk aanbevolen om kraanwater te gebruiken voor het vullen om de invloed van ongewenste inhoud, zoals mineralen, te minimaliseren.
- We raden u aan te douchen voordat u uw zwembad gebruikt, omdat cosmetische producten, lotions en andere resten op de huid de waterkwaliteit snel kunnen aantasten.
- Schuim het zwembad regelmatig af om bezonken vuil te voorkomen.
- Plaats een emmer water naast het zwembad om de voeten van de gebruikers schoon te maken voordat ze het zwembad in gaan.
- Het chemisch onderhoud dient te worden uitgevoerd met ChemConnect of chemische skimmer; gooi chemische producten niet direct in het water, de chemische stof zal zich dan afzetten op de bodem en wat het materiaal beschadigt en het PVC verkleurt.

Chemische tabletten (niet inbegrepen):

- Uw gekochte zwembadset bevat mogelijk geen dispensers; in dit geval kunt u er een kopen door onze website www.bestwaycorp.com te bezoeken of bij de dichtstbijzijnde zwembaddealer.
- Verwijder de chemicaliëndispenser uit het zwembad wanneer het zwembad in gebruik is.
- Gebruik na het uitvoeren van chemisch onderhoud en voordat u het zwembad gaat gebruiken een testkit (niet meegeleverd) om de chemische samenstelling van het water te testen. We raden aan om de chemische balans van het water als volgt te handhaven.

Parameters	Waarden
Waterhelderheid	Vrij zicht op de bodem van het zwembad
Kleur van het water	Er mag geen kleur worden waargenomen
Troebelheid in FNU/NTU	Maximaal 1,5 (bij voorkeur minder dan 0,5)
Nitraatconcentratie boven vulwater in mg/l	max. 20
Totaal organische koolstof (TOC) in mg/l	max. 4,0
Redoxpotentiaal tegen Ag/AgCl 3,5 m KCl in mV	min. 650
pH waarde	6,8 tot 7,6
Vrij actief chloor (zonder cyaanuurzuur) in mg/l	0,3 tot 1,5
Vrij chloor gebruikt in combinatie met cyaanuurzuur in mg/l	1,0 tot 3,0
Cyanuurzuur in mg/l	max. 100
Gecombineerd chloor in mg/l	max. 0,5 (Bij voorkeur dicht bij 0,0 mg/l)

- Schade aan het zwembad als gevolg van verkeerd gebruik van chemicaliën en verkeerd beheer van het water valt niet onder de garantie.
- Overmatig gebruik van chemicaliën zal de bedrukking en alle punten van het materiaal van het zwembad verkleuren; in het ergste geval zal het de structuur van de voering beschadigen.
- Zwembadchemicaliën zijn potentieel giftig en moeten met zorg worden behandeld. Chemische dampen en onjuiste etikettering en opslag van chemicaliëncontainers brengen ernstige gezondheidsrisico's met zich mee.
- Raadpleeg alstublieft uw plaatselijke zwembad of chemicaliën leverancier voor meer informatie over chemisch onderhoud. Let goed op de instructies van de fabrikant van de chemicaliën.
- De pomp wordt gebruikt om het water te laten circuleren en kleine deeltjes te filteren. Om uw zwembadwater schoon en hygiënisch te houden, moet u ook chemicaliën toevoegen.

VOERING

- We raden u aan een zwembadafdekking te kopen indien deze niet in de set zit, en het zwembad af te dekken wanneer u het niet gebruikt, om schade aan het Duraplus materiaal op de bovenrails te voorkomen. Reinig eventuele vuilafzetting op de bovenrails voorzichtig met een schone doek.

DEMONTAGE EN OPSLAG

AFVOEREN

- Volg de tekeningen in de handleiding voor het leeglopen. Tekeningen zijn alleen ter illustratie. Ze geven mogelijk niet het werkelijke product weer. Niet op schaal.
- Om uw zwembadwater af te voeren, raadpleeg de plaatselijke voorschriften voor afvoerverordeningen.

SCHOONMAKEN

- Spoel de voering af met kraanwater om eventuele resten van chemicaliën of vuil volledig te verwijderen.
- Laat het zwembad in de zon liggen totdat het volledig is opgedroogd.
- Om het resterende water volledig te verwijderen, veegt u de voering van het zwembad af met een droge doek.

OPSLAG

- Verwijder alle accessoires; zorg ervoor dat de voering, en de accessoires volledig schoon en droog zijn voordat u ze opbergt. Indien het zwembad niet volledig droog is, kan er schimmel ontstaan die de voering van het zwembad kan beschadigen tijdens de opslagperiode.
- Zodra het zwembad helemaal droog is, bestrooit u het met talkpoeder om te voorkomen dat het zwembad aan elkaar blijft plakken.
- We raden ten zeerste aan om het zwembad te demonteren wanneer de omgevingstemperatuur lager is dan 10°C / 50°F.
- Vouw de voering alleen op als de omgevingstemperatuur hoger is dan 10°C / 50°F. Bewaar het zwembad op een droge plaats met een gematigde temperatuur tussen 10°C / 50°F en 38°C / 100°F en plaats de voering en alle accessoires in een kartonnen doos om het PVC materiaal beter te beschermen tijdens de winterperiode.

REPARATIE

In het geval van een lek, patch uw zwembad met behulp van de meegeleverde reparatiepleister voor onderwaterlijm. U kunt de instructies vinden in de veelgestelde vragen in het ondersteuningsgedeelte van onze website, www.bestwaycorp.com/support.

Bedankt dat U voor Bestway hebt gekozen !

(BE/NL)

Ontvang onmiddellijk **gratis** de garantieverlenging voor uw aankoop !
Registreer uw product binnen de 30 dagen na de aankoopdatum en wij geven u 6 maanden gratis garantieverlenging.

Bezoek **WWW.REGISTREERBESTWAY.BE** en registreer direct uw product !
De territoriale uitbreiding van deze aanvullende garantie betreft de volgende landen : België, Luxemburg, Italië, Frankrijk, Duitsland en Spanje.



MANUEL DE L'UTILISATEUR



Visitez la chaîne YouTube de Bestway

CONSIGNES DE SÉCURITÉ IMPORTANTES

⚠ ATTENTION

LISEZ ET SUIVEZ TOUTES LES INSTRUCTIONS.

- Avant d'installer et d'utiliser, la piscine, veuillez lire attentivement, assimiler et respecter toutes les informations contenues dans cette notice d'utilisation. Ces avertissements, instructions et consignes de sécurité portent sur certains des risques usuels associés aux loisirs aquatiques, mais ils ne peuvent pas couvrir la totalité des risques et dangers dans tous les cas. Faites toujours preuve de prudence, de discernement et de bon sens lors des activités aquatiques. Conservez ces informations afin de pouvoir vous y référer ultérieurement. De plus, les informations suivantes peuvent être fournies en fonction du type de piscine.
- Conservez ces instructions dans un endroit sûr. Si des instructions manquent, veuillez contacter le fabricant ou les rechercher sur le site www.bestwaycorp.com.
- Désignez un adulte compétent pour surveiller le bassin à chaque fois qu'il est utilisé.
- Les barrières, couvertures, alarmes de piscines ou dispositifs de sécurité similaires sont des aides utiles, mais ils ne remplacent pas la surveillance continue par un adulte compétent.

Sécurité d'emploi de la piscine

- Incitez tous les utilisateurs, en particulier les enfants, à apprendre à nager.
- Apprenez les gestes qui sauvent (réanimation cardiopulmonaire) et remettez régulièrement à jour vos connaissances. Ces gestes peuvent sauver une vie en cas d'urgence.
- Exploitez aux utilisateurs de la piscine, enfants inclus, la procédure à suivre en cas d'urgence.
- Ne plongez jamais dans un plan d'eau peu profond, sous peine de blessures graves ou mortelles.
- N'utilisez pas la piscine sous l'emprise d'alcool ou de médicaments susceptibles de réduire votre capacité à utiliser la piscine en toute sécurité.

Dispositifs de sécurité

- Pour éviter toute noyade d'enfant, il est recommandé de sécuriser l'accès au bassin par un dispositif de protection. Pour empêcher les enfants de grimper sur la vanne d'entrée et de sortie, il est recommandé d'installer une barrière (et de sécuriser toutes les portes et fenêtres, le cas échéant) afin d'empêcher tout accès non autorisé à la piscine.

Équipements de sécurité

- Il est recommandé de garder du matériel de sauvetage (une bouée, par exemple) près du bassin.
- Gardez un téléphone en parfait état de marche et une liste de numéros d'urgence à proximité du bassin.
- Si la piscine est recouverte d'une couverture, retirez-la entièrement de la surface de l'eau avant d'entrer dans le bassin.
- Traitez l'eau de votre piscine et installez de bonnes pratiques d'hygiène afin de protéger les utilisateurs des maladies liées à l'eau. Consultez les consignes de traitement de l'eau données dans la notice d'utilisation.
- Stockez les produits chimiques (produits de traitement de l'eau, de nettoyage ou de désinfection, par exemple) hors de portée des enfants.
- Utilisez les pictogrammes décrits ci-dessous. Les pictogrammes doivent être affichés dans une position visible à moins de 2m de la piscine.



Garder les enfants sous surveillance dans l'environnement aquatique. Ne pas plonger.

- Placez les échelles amovibles sur une surface horizontale.
- Quels que soient les matériaux utilisés pour la construction de la piscine, les surfaces accessibles doivent être régulièrement contrôlées afin d'éviter les blessures.
- Contrôlez régulièrement les boulons et les vis. Enlevez les échardes ou tout bord tranchant pour éviter les blessures.
- Ne laissez pas la piscine vidée à l'extérieur. La piscine vide est susceptible de se déformer et/ou de se déplacer sous l'effet du vent.
- Si vous avez une pompe de filtration, consultez le manuel de la pompe pour les instructions.
- La pompe ne peut pas être utilisée lorsque des personnes se trouvent dans la piscine !
- Si vous avez une échelle, consultez le manuel de l'échelle pour les instructions.
- **ATTENTION !** L'utilisation d'une piscine implique le respect des consignes de sécurité décrites dans la notice d'entretien et d'utilisation. Pour prévenir toute noyade ou autres blessures graves, accorder une attention particulière à la sécurisation de l'accès à la piscine pour les enfants de moins de 5 ans et, pendant la période de baignade, les maintenir en permanence sous la surveillance d'un adulte.

Sécurité des non-nageurs

- Une surveillance attentive, active et continue par un adulte compétent des enfants qui ne savent pas bien nager et des non-nageurs est requise en permanence (en gardant à l'esprit que le risque de noyade est le plus élevé pour les enfants de moins de cinq ans).
- Il convient que les enfants qui ne savent pas bien nager ou les non-nageurs portent des équipements de protection individuelle lorsqu'ils utilisent la piscine.
- Lorsque le bassin n'est pas utilisé ou est sans surveillance, retirez tous les jouets de la piscine et ses abords afin de ne pas attirer les enfants vers le bassin.

À LIRE ATTENTIVEMENT ET A CONSERVER POUR CONSULTATION ULTERIEURE.

AVANT L'INSTALLATION

LISTE DE VÉRIFICATION

Vérifiez les pièces présentées dans le manuel. Vérifiez que les pièces de l'équipement correspondent au modèle que vous avez acheté. En cas de pièces endommagées ou manquantes au moment de l'achat, consultez notre site Internet bestwaycorp.com/support.

CHOISIR LE BON EMPLACEMENT

La surface choisie pour installer la piscine doit respecter les conditions suivantes :

- Compte tenu du poids total de la piscine, de l'eau et des utilisateurs, il est extrêmement important que la surface sur laquelle la piscine est installée soit lisse, plate, de niveau et capable de supporter le poids pendant toute la durée de l'installation de la piscine. Lorsque vous choisissez la surface, tenez compte du fait que de l'eau peut sortir de la piscine lorsqu'elle est utilisée ou lorsqu'il pleut. Si l'eau ramollit la surface, elle peut perdre sa capacité à supporter le poids de la piscine.

- Vérifiez régulièrement la position des pieds verticaux et/ou des supports en U. Ils doivent être au même niveau que le fond de la piscine à tout moment. Si le pied vertical ou le support en U commence à s'enfoncer dans le sol, videz immédiatement l'eau de la piscine pour éviter que la piscine ne soit détruite en raison de la charge inégale sur la structure. Changez l'emplacement de la piscine ou modifiez le matériau de surface.
 - La surface doit être plane et lisse. Si la surface est inclinée ou irrégulière, la structure de la piscine peut être déséquilibrée. Cela peut endommager les points de soudure du liner et déformer le cadre. Dans les cas les plus extrêmes, la piscine peut éclater, en occasionnant des blessures graves et/ou des dommages aux biens personnels.
 - Nous recommandons de placer la piscine loin de tout objet que les enfants pourraient utiliser pour grimper dans le bassin.
 - Placez la piscine à proximité d'un système de drainage adéquat pour gérer le débordement ou pour vider la piscine. Assurez-vous que le côté de la piscine avec l'entrée de l'eau A et la sortie B est situé dans la même direction que la source d'énergie, à laquelle le système de filtration doit être connecté.
 - La surface sélectionnée doit être exempte de tout type d'objet. En raison du poids de l'eau, tout objet placé sous la piscine pourrait endommager ou perforer le fond du bassin.
 - La surface choisie doit être exempte de plantes agressives et d'espèces de mauvaises herbes. Ces types de végétation forte pourraient se développer à travers le liner et créer des fuites d'eau. L'herbe ou toute autre végétation susceptible de provoquer des odeurs ou de la boue doit être éliminée du lieu d'installation.
 - L'emplacement choisi ne doit pas comporter de lignes électriques aériennes ni d'arbres. Assurez-vous que l'emplacement ne comporte pas de tuyaux, de lignes ou de câbles de services publics souterrains de quelque nature que ce soit.
 - La position choisie doit être éloignée de l'entrée de la maison. Ne placez pas d'équipement ou d'autres meubles autour de la piscine. L'eau qui sort de la piscine pendant l'utilisation ou en raison de défauts du produit peut endommager les meubles à l'intérieur de la maison ou autour de la piscine.
 - La surface choisie doit être plane et sans trous susceptibles d'endommager le matériau du liner.
- Surfaces d'installation suggérées :** herbe, sol, béton, et toute autre surface respectant les conditions d'installation ci-dessus.
- Surfaces déconseillées :** terre, sable, gravier, terrasse, balcon, allée, plateforme, sol mou/terre meuble ou toute autre surface qui ne répond pas aux conditions de mise en place ci-dessus.
- Vérifiez auprès de votre conseil municipal les règlements relatifs aux clôtures, aux barrières, à l'éclairage et aux exigences de sécurité et assurez-vous de respecter toutes les réglementations.
 - Si une pompe et/ou une échelle sont incluses dans le kit, consultez le manuel de la pompe et/ou de l'échelle pour les instructions de sécurité et l'installation. L'échelle doit correspondre à la taille de la piscine.
 - Si, au cours de l'installation, il est nécessaire de changer la position de la piscine, soulevez le liner et ne le traînez pas sur le sol ; la friction entre le PVC et le sol peut endommager le liner de la piscine.
- Suivez les instructions importantes ci-dessus pour choisir la surface et l'emplacement adéquats pour installer votre piscine. Les parties endommagées de la piscine, dues au fait que la surface et l'emplacement de montage ne correspondent pas aux instructions, ne seront pas considérées comme un défaut de fabrication et annuleront la garantie et toute demande de service.**

INSTALLATION

ASSEMBLAGE

- Pour les instructions d'installation, suivez les dessins à l'intérieur du manuel. Les dessins ne sont donnés qu'à titre d'illustration. Ils sont susceptibles de ne pas refléter le produit réel. Pas à l'échelle.
- L'assemblage de la piscine hors sol peut être réalisé sans outils.
- L'installation prend généralement environ 20 à 30 minutes avec 2 à 3 personnes, sans compter le remplissage.
- Pour prolonger la durée de vie de votre piscine, il est important de saupoudrer les structures supérieures de talc avant le montage. Le talc n'est pas inclus dans le kit.
- Bestway n'est pas responsable des dommages causés à la piscine en raison d'une mauvaise manipulation ou du non-respect de ces instructions.
- Nous vous conseillons vivement d'ouvrir l'emballage et d'assembler la piscine lorsque la température ambiante est supérieure à 15 °C ; le matériau PVC du liner deviendra plus souple et plus facile à assembler.

REMPLISSAGE DE LA PISCINE AVEC DE L'EAU

- Ne laissez pas la piscine sans surveillance pendant le remplissage.
- Remplissez la piscine d'eau une fois toutes les étapes de montage terminées et jusqu'à ce que l'eau atteigne la ligne de soudure, qui correspond à 90 % de la capacité totale.
- Ne pas trop remplir, car cela pourrait provoquer l'éclatement de la piscine. En cas de fortes pluies, nous recommandons vivement de réduire le niveau d'eau pour le maintenir à 90 % de sa capacité, afin d'éviter tout débordement de l'eau.
- Lorsque la piscine est complètement remplie, vérifiez que la distance entre la surface de l'eau et le haut de la structure est la même tout autour ; si elle est différente, cela signifie que le sol n'est pas nivelé ; nous vous recommandons donc vivement de vidanger l'eau et de remettre le sol à niveau.
- Le fait de maintenir la piscine pleine d'eau sur un sol non nivelé peut provoquer l'éclatement des points de soudure et/ou la rupture de la piscine, entraînant des blessures graves et/ou des dommages matériels.

ENTRETIEN

Si vous ne respectez pas les consignes d'entretien ci-dessous, votre santé peut être mise en danger, notamment celle de vos enfants.

EAU

- Il est nécessaire de conserver l'eau de votre piscine propre et chimiquement équilibrée. Il ne suffit pas de nettoyer la cartouche de filtration pour un entretien correct, nous vous recommandons d'utiliser des produits chimiques pour piscine afin de maintenir les propriétés chimiques de l'eau et des comprimés de chlore ou de brome (n'utilisez pas de granulés) avec le diffuseur chimique.
- La qualité de l'eau sera directement liée à la fréquence d'utilisation, au nombre d'utilisateurs et à l'entretien général de la piscine. Il faut changer l'eau tous les 3 jours si aucun traitement chimique n'est effectué. Il est vivement recommandé d'utiliser de l'eau du robinet pour le remplissage, afin de réduire au minimum l'influence d'un contenu indésirable, comme par exemple des minéraux.
- Nous vous recommandons de prendre une douche avant d'utiliser votre piscine, car les produits cosmétiques, lotions et autres résidus sur la peau peuvent rapidement dégrader la qualité de l'eau.
- Écumez régulièrement la piscine pour éviter les dépôts de saleté.
- Placez un seau d'eau à côté de la piscine pour nettoyer les pieds des utilisateurs avant d'entrer dans la piscine.
- L'entretien chimique doit être effectué avec ChemConnect ou un flotteur chimique ; ne pas jeter les produits chimiques directement dans l'eau, le produit chimique se déposera au fond, endommagera le matériau et décolorera le PVC.

Traitement chimique par comprimés (non fournis) :

- Il se peut que le kit de piscine que vous avez acheté ne comprenne pas de diffuseurs ; dans ce cas, vous pouvez en acheter un sur notre site web www.bestwaycorp.com ou chez le revendeur de piscines le plus proche.
- Retirez le diffuseur de produits chimiques de la piscine lorsque celle-ci est utilisée.
- Après avoir effectué l'entretien chimique et avant d'utiliser la piscine, utilisez un kit de test (non inclus) pour tester l'équilibre chimique de l'eau. Nous vous recommandons de maintenir l'équilibre chimique de votre eau comme indiqué dans le tableau ci-dessous.

Paramètres	Valeurs
Clarté de l'eau	Vue claire du fond de la piscine
Couleur de l'eau	Aucune couleur ne doit être observée
Turbidité en FNU/NTU	Max. 1,5 (de préférence moins de 0,5)
Concentration en nitrates supérieure à celle de l'eau de remplissage en mg/l	Max. 20
Carbone organique total (COT) en mg/l	Max. 4,0
Potentiel redox contre Ag/AgCl 3,5 m KCl en mV	Min. 650
Valeur pH	6,8 à 7,6
Chlore actif libre (sans acide cyanurique) en mg/l	0,3 à 1,5
Chlore libre utilisé en combinaison avec l'acide cyanurique en mg/l	1,0 à 3,0
Acide cyanurique en mg/l	Max. 100
Chlore combiné en mg/l	Max. 0,5 (de préférence proche de 0,0 mg/l)

- Les dommages à la piscine résultant d'une mauvaise utilisation des produits chimiques et d'une mauvaise gestion de l'eau de la piscine ne sont pas couverts par la garantie.
- L'utilisation excessive de produits chimiques peut décolorer l'imprimé et tous les points du matériau de la piscine, dans les cas les plus graves, ils peuvent endommager la structure du liner de la piscine.
- Les produits chimiques pour spa sont potentiellement toxiques et doivent être manipulés avec précaution. Les vapeurs chimiques ainsi que l'étiquetage et le stockage incorrects des conteneurs de produits chimiques présentent de graves risques pour la santé.
- Veuillez consulter votre revendeur de produits pour piscines et spas pour plus d'informations sur l'entretien chimique. Lisez attentivement les instructions du fabricant des produits chimiques.
- La pompe est utilisée pour faire circuler l'eau et pour filtrer les petites particules. Pour que l'eau de votre piscine reste propre et hygiénique, vous devez également ajouter des produits chimiques.

LINER

- Nous vous suggérons d'acheter une bâche de piscine, si elle n'est pas incluse dans le kit, et de couvrir la piscine lorsqu'elle n'est pas utilisée, afin d'éviter tout dommage au matériau Duraplus sur la structure supérieure. Nettoyez délicatement tout dépôt de saleté sur la structure supérieure avec un chiffon propre.

DÉMONTAGE ET STOCKAGE

VIDANGE

- Pour la vidange, suivez les dessins présentés dans le manuel. Les dessins ne sont donnés qu'à titre d'illustration. Ils sont susceptibles de ne pas refléter le produit réel. Pas à l'échelle.
- Pour vidanger l'eau de votre piscine, vérifiez les règlements locaux en matière de drainage.

NETTOYAGE

- Rincez le liner de la piscine avec de l'eau du robinet, pour éliminer complètement tout résidu de produits chimiques ou de saleté.
- Laissez la piscine à la lumière du soleil jusqu'à ce qu'elle soit complètement sèche.
- Pour éliminer complètement l'eau restante, essayez le liner de la piscine avec un chiffon sec.

STOCKAGE

- Retirez tous les accessoires : assurez-vous que le liner et les accessoires sont complètement propres et secs avant le stockage. Si la piscine n'est pas complètement sèche, des moisissures peuvent apparaître et endommager le liner de la piscine pendant la période de stockage.
- Une fois que la piscine est complètement sèche, saupoudrez de talc pour empêcher la piscine de coller.
- Nous recommandons fortement de démonter la piscine lorsque la température ambiante est inférieure à 10 °C.
- Ne repliez le liner de la piscine que si la température ambiante est supérieure à 10 °C. Stockez la piscine dans un endroit sec avec une température modérée entre 10 °C et 38 °C et placez le liner de la piscine et tous les accessoires à l'intérieur d'une boîte en carton, pour mieux protéger le matériau PVC pendant la période hivernale.

RÉPARATION

En cas de fuite, colmatez votre piscine à l'aide du patch de réparation adhésif étanche fourni. Vous trouverez les instructions dans les FAQ de la section « Support » de notre site web, www.bestwaycorp.com/support.

Merci d'avoir choisi Bestway !

FR

Obtenez immédiatement et **gratuitement** l'extension de garantie de votre achat !
Enregistrez votre produit dans les 30 jours à compter de la date d'achat et nous vous offrons 6 mois d'extension gratuite de la garantie.

Visitez **WWW.ENREGISTREMENTBESTWAY.FR** et enregistrez immédiatement votre produit!

L'extension territoriale de la présente garantie supplémentaire concerne les pays suivants : France, Allemagne, Belgique, Espagne, Italie, Luxembourg.

Merci d'avoir choisi Bestway !

BE/FR

Obtenez immédiatement et **gratuitement** l'extension de garantie de votre achat !
Enregistrez votre produit dans les 30 jours à compter de la date d'achat et nous vous offrons 6 mois d'extension gratuite de la garantie.

Visitez **WWW.ENREGISTREMENTBESTWAY.BE** et enregistrez immédiatement votre produit!

L'extension territoriale de la présente garantie supplémentaire concerne les pays suivants : Belgique, France, Italie, Allemagne, Espagne.



For support please visit us at:
bestwaycorp.com/support

©2022 Bestway Inflatables & Material Corp.

All rights reserved/Tous droits réservés/Todos los derechos reservados/Alle Rechte vorbehalten/Tutti i diritti riservati

Trademarks used in some countries under license from/

Marques utilisées dans certains pays sous la licence de/

Marcas comerciales utilizadas en algunos países bajo la licencia de/

Die Warenzeichen werden in einigen Ländern verwendet unter Lizenz der/

Marchi utilizzati in alcuni paesi concessi in licenza a

Bestway Inflatables & Material Corp., Shanghai, China

Manufactured, distributed and represented in the European Union by/

Fabriqué, distribués et représentés dans l'Union Européenne par/Fabricado, distribuido y representado en la Unión Europea por/

Hergestellt, vertrieben und in der Europäischen Union vertreten von/Prodotto, distribuito e rappresentato nell'Unione Europea da

Bestway Europe S.p.a., Via Resistenza, 5, 20098 San Giuliano Milanese (Milano), Italy

Distributed in Latin America by/Distribué en Amérique latine par/Distribuido en Latinoamérica por/Distribuido na América Latina por

Bestway Central & South America Ltda, Salar Ascotan 1282, Parque Enea, Pudahuel, Santiago, Chile

Distributed in Australia & New Zealand by **Bestway Australia Pty Ltd, Unit 2/98-104 Carnarvon St Silverwater, NSW 2128, Australia**

Tel: Australia: (+61) 2 9037 1388; New Zealand: 0800 142 101

Distributed in United Kingdom by **Bestway Corp UK Ltd, 8 Wentworth Road, Heathfield Industrial Estate, Newton Abbot, Devon, TQ12 6TL**

Exported by/Exporté par/Exportado por/Exportiert von/Esportato da

Bestway (Hong Kong) International Ltd./Bestway Enterprise Company Limited

Suite 713, 7/Floor, East Wing, Tsim Sha Tsui Centre, 66 Mody Road, Kowloon, Hong Kong

www.bestwaycorp.com

Bestway®

EN
DE
NL
FR

FLOWCLEAR™



bestwaycorp.com/support



©2022 Bestway Inflatables & Material Corp.

All rights reserved/Tous droits réservés/Todos los derechos reservados/

Alle Rechte vorbehalten/Tutti i diritti riservati

Trademarks used in some countries under license from/

Marques utilisées dans certains pays sous la licence de/

Marcas comerciales utilizadas en algunos países bajo la licencia de/

Die Warenzeichen werden in einigen Ländern verwendet unter Lizenz der/

Marchi utilizzati in alcuni paesi concessi in licenza a

Bestway Inflatables & Material Corp., Shanghai, China

Manufactured, distributed and represented in the European Union by/

Fabriqués, distribués et représentés dans l'Union Européenne par/Fabricado, distribuido y representado en la Unión Europea por/

Hergestellt, vertrieben und in der Europäischen Union vertreten von/Prodotto, distribuito e rappresentato nell'Unione Europea da

Bestway Europe S.p.a., Via Resistenza, 5, 20098 San Giuliano Milanese (Milano), Italy

Distributed in Latin America by/Distribué en Amérique latine par/Distribuido en Latinoamérica por/Distribuido na América Latina por

Bestway Central & South America Ltda, Salar Ascotan 1282, Parque Enea, Pudahuel, Santiago, Chile

Distributed in Australia & New Zealand by **Bestway Australia Pty Ltd, Unit 2/98-104 Camarvon St Silverwater, NSW 2128, Australia**

Tel. Australia: (+61) 2 9037 1388; New Zealand: 0800 142 101

Distributed in United Kingdom by **Bestway Corp UK Ltd, 8 Wentworth Road, Heathfield Industrial Estate, Newton Abbot, Devon, TQ12 6TL**

Exported by/Exporté par/Exportado por/Exportiert von/Esportado da

Bestway (Hong Kong) International Ltd./Bestway Enterprise Company Limited

Suite 713, 7/Floor, East Wing, Tsim Sha Tsui Centre, 66 Mody Road, Kowloon, Hong Kong

www.bestwaycorp.com



OWNER'S MANUAL

58389/58675 Hmax 1.5m Filter Pump



Visit the Bestway YouTube channel

IMPORTANT SAFETY INSTRUCTIONS

READ AND FOLLOW ALL INSTRUCTIONS

Carefully read, understand, and follow all information in this user manual before installing and using the Filter Pump. These warnings, instructions, and safety guidelines address some common risks of water filtration systems, but they cannot cover all risks and dangers in all cases.

Always use caution, common sense, and good judgment when enjoying any water activity. Retain this information for future use. In addition, the following information can be supplied depending on the Filter Pump type. Keep the instructions in a safe place. If instruction is missing, search it on the website www.bestwaycorp.com/support.

WARNING

- The pump is to be supplied by an isolating transformer or supplied through a residual current device (RCD) having a rated residual operating current not exceeding 30 mA.
- Consult a qualified electrician for any questions.
- The power source on the wall of building should keep more than 4m away from pool and at a height of 1.2m at least.
- The pump unit must only be supplied at safety extra low voltage corresponding to the marking on the appliance.
- Extension cords can't be used.
- If the supply cord is damaged, it must be replaced by the manufacturer, its service agent or similarly qualified persons in order to avoid a hazard.
- This appliance can be used by children aged from 8 years and above and persons with reduced physical, sensory or mental capabilities or lack of experience and knowledge if they have been given supervision or instruction concerning use of the appliance in a safe way and

understand the hazards involved. Children shall not play with the appliance. Cleaning and user maintenance shall not be made by children without supervision.

- Keep the transformer away from the pool and the filter pump more than 3.5m.
- When the appliance will be not used for a long time, such as in the winter, the pool set should be disassembled and stored indoor.
- Electric installations should follow national wiring rules.
- Only the media provided or specified by the manufacturer is to be used with product installation.
- It is essential to check that the suction openings are not obstructed.
- It is advisable to stop the filtration during maintenance operations on the filtration system.
- Regularly monitor the filter clogging level.
- A weekly check is recommended for cleaning.
- Minimum daily filtration operating time of 8 hours is recommended to ensure clear pool water.
- It is essential to change any damaged element or set of elements as soon as possible. Use only parts approved by person responsible for placing the product on the market.
- All filters and filter media shall be inspected regularly to ensure that there is not a build-up of detritus thus preventing good filtration. The disposal of any used filter media should also be in accordance with applicable regulations/ legislation.
- The water circulation installation shall comply with the European as well as national/local regulations, especially when dealing with electrical issues. Any change of valve position, pump size, grille size can cause a change of the flow and the suction velocity can be increased.
- It is necessary to have the plug accessible after installation of the pool.
- Please read the instruction manual carefully and keep it for future reference.
- If instruction is missed, please contact with Bestway or search it in website: www.bestwaycorp.com

DISPOSAL



Electrical products should not be disposed of with household waste. Please recycle where facilities exist. Check with your local authority or retailer for recycling advice.

TECHNICAL SAFETY INSTRUCTIONS

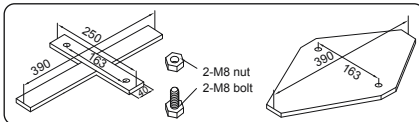
- Risk of electric shock, never run the filter pump when people are swimming in the pool.
- Risk of electrical shock, before removing, cleaning, serving or making any adjustment to the product, always unplug this product from the electrical outlet.
- Do not modify the plug in any way or use plug adaptors to connect unit to electric supply.
- Do not bury cord. Locate cord to minimize abuse from lawn mowers, hedge trimmers, and other equipment.
- This pump is for use with storable pools only. Do not use with permanently-installed pools. A storable pool is constructed so that it is capable of being readily disassembled for storage and reassembled to its original integrity. A permanently-installed pool is constructed in or on the ground or in a building such that it cannot be readily disassembled for storage.
- Using the pump with an unmatched electrical supply is dangerous and will result in catastrophic failure of the pump.
- Handle the pump with care. Do not pull or carry the pump by the power cord. Never pull a plug from the outlet by yanking the power cord. Keep cord free from abrasions. Sharp objects, oil, moving parts, and heat should never be exposed to the filter pump.
- Cleaning and user maintenance must be performed by an adult above 18 years old who is familiar with the risk of electric shock.
- In case of doubt on the pump or any circulation devices, contact a qualified installer, or the manufacturer/importer/distributor.
- Mind all the safety requirements and recommendations described in the manual.
- Atmospheric conditions may affect the performance and life span of your filter pump. Unnecessary wear and tear may occur during periods of cold, heat and exposure to sun. Whenever possible, shelter the pump from these conditions.
- It is important to ensure the factory equipped stopper plugs for the inlet and outlet ports replace the screens before removal or maintenance on the pump is attempted.
- Do not add chemicals in the filter pump.

- Don't plug or unplug the appliance if your hand is wet.
- Always unplug the appliance: on rainy days, before cleaning or other maintenance, and when leaving it unattended on holidays.
- This product is not intended for commercial use.

SAVE THESE INSTRUCTIONS

ATTACHING A BASE

EN60335-2-41 TEST standard requires the filter pump to be vertically fixed on the ground or a base made of wood or concrete before use. There should be two holes 9 mm in diameter on the base, the space between which should be 163 mm. Put filter pump on the base and attach them together by fastening the bolts and nuts. All the base parts should weigh at least over 18 kg to prevent the pump from accidentally falling.



SETUP


CHECK LIST

To check the parts included in the box, consult the part list inside this manual. Verify that the equipment components represent the model that you had intended to purchase. In case of any damaged or missing parts at the time of purchase, visit our website bestwaycorp.com/support.

CHOOSE THE CORRECT LOCATION


Place the Filter Pump on a solid and level ground; it must be positioned on the same level as the base of the pool. If the Filter Pump is in an upper or lower position than the base of the pool, the performance and life span of the Filter Pump can be compromised. The pool and the Filter Pump have to be positioned in an area with adequate drainage and easy access for maintenance operations. Never place the Filter Pump in a area that may accumulate water.

INSTALLATION

- For the installation instructions, refer to the illustration steps  inside the manual. Drawings are for illustration purposes only. May not reflect actual product. Not to scale.
- Bestway will not be responsible for any damage caused to the Filter Pump due to mishandling or failure to follow these instructions.
- It is imperative to check that the hydraulic connectors are not obstructed.
- Do not dry run the Filter Pump. Make sure both the pool's inlet and outlet valves are fully covered by water before operating the Filter Pump.

MAINTENANCE

Make sure that the Filter Pump is unplugged before any maintenance.

- For the maintenance instructions, refer to illustration steps  inside the manual. Drawings are for illustration purposes only. May not reflect actual product. Not to scale.
- To optimize the Filter Pump performance and for sanitary reasons, we suggest replacing the filter cartridge with a new one every two weeks.

STORAGE

- Remove all accessories; be sure that Filter Pump, hoses and debris screens are completely clean and dry before the storage. If all the parts are not completely dry, mold may result.
- Before storage, remove and dispose of the filter cartridge.
- We strongly recommend disassembling the Filter Pump when the environment temperature is below 10°C / 50°F.
- Store the Filter Pump in a dry place with a moderate temperature between 10°C / 50°F and 38°C / 100°F.

WARRANTY TERMS

For information concerning warranty terms, visit our website at: www.bestwaycorp.com.



GEBRAUCHSANWEISUNG

58389/58675 Hmax 1,5 m Filterpumpe

YouTube

Besuchen Sie unseren auf Kanal

WICHTIGE SICHERHEITSHINWEISE

BITTE SORGFÄLTIG DURCHLESEN

Vor Aufbau und Verwendung der Filterpumpe sollten Sie die Gebrauchsanweisung gründlich durchlesen. Die hier aufgeführten Warnungen, Hinweise und Vorschriften beziehen sich lediglich einige allgemeinbekannte Risiken bei der Poolnutzung, können aber nicht alle vollem Umfang behandeln bzw. abdecken. Gehen Sie daher stets mit Vorsicht und gesundem Urteilsvermögen vor. Bewahren Sie diese Informationen für späteres Nachlesen sorgfältig auf. Die folgenden Informationen können je nach Art der Filterpumpe variieren. Sollte keine Gebrauchsanweisung beiliegen, besuchen Sie uns unter www.bestwaycorp.com.

ACHTUNG

- Die Filterpumpe muss über einen Trenntransformator oder über einen Fehlerstromschutzschalter (RCD) mit einem Nennfehlerstrom von höchstens 30 mA versorgt werden.
- Bei Fragen wenden Sie sich bitte an einen qualifizierten Elektriker.
- Die Stromquelle an der Gebäudewand sollte mehr als 4 m vom Schwimmbecken in einer Höhe von mindestens 1,2 m angebracht sein.
- Das Pumpenaggregat darf nur mit Kleinspannung entsprechend der Kennzeichnung auf dem Gerät betrieben werden.
- Es darf kein Verlängerungskabel verwendet werden.
- Sollte das Netzkabel beschädigt sein, muss es durch den Hersteller, einen entsprechenden Kundendienst oder ähnlich qualifizierte Personen ersetzt werden, um daraus entstehende Risiken zu vermeiden.
- Dieses Gerät kann von Kindern ab 8 Jahren und darüber sowie von Personen mit verringerten physischen, sensorischen oder mentalen Fähigkeiten oder Mangel an Erfahrung und Wissen benutzt werden, wenn sie beaufsichtigt oder bezüglich des sicheren Gebrauchs des Gerätes unterwiesen wurden und die

daraus resultierenden Gefahren verstehen. Kinder dürfen nicht mit dem Gerät spielen. Reinigung und Benutzer-Wartung dürfen nicht von Kindern ohne Beaufsichtigung durchgeführt werden.

- Halten Sie den Transformator mehr als 3,5 m vom Pool und der Filterpumpe entfernt.
- Wenn das Gerät für längere Zeit nicht benutzt wird (Winter etc.), sollte der Pool abgebaut und drinnen gelagert werden.
- Beachten Sie die geltenden nationalen Vorschriften zur ordnungsmäßigen Verkabelung.
- Für die Installation des Produkts dürfen ausschließlich die vom Hersteller bereitgestellten oder angegebenen Medien verwendet werden.
- Achten Sie unbedingt darauf, dass die Ansaugöffnungen zu keinem Zeitpunkt verstopft sind.
- Es wird empfohlen, die Filterpumpe während der Wartungsarbeiten abzuschalten.
- Überprüfen Sie regelmäßig den Verschmutzungsgrad des Filters.
- Es wird eine wöchentliche Reinigung empfohlen.
- Pro Tag wird eine Filterzeit von mindestens 8 Stunden empfohlen.
- Beschädigte Komponente müssen so schnell wie möglich ausgetauscht werden. Verwenden Sie dafür ausschließlich die vom Hersteller empfohlenen Ersatzteile.
- Alle Filter sowie Filtermedien müssen regelmäßig überprüft werden, um ein zufriedenstellendes Filterergebnis zu gewährleisten. Die Entsorgung von gebrauchten Filtermedien muss den geltenden Vorschriften/Gesetzen entsprechen.
- Die Installation des Wasserkreislaufs muss sowohl den europäischen als auch den nationalen/örtlichen Vorschriften - insbesondere in Bezug auf die Elektronik - entsprechen. Jede Änderung der Ventilstellung, der Pumpengröße sowie der Filtersiebgröße kann zu einer Änderung des Durchflusses führen und so die Ansaugeschwindigkeit erhöhen.
- Der Stecker der Filterpumpe muss zu jeder Zeit zugänglich sein.
- Bitte lesen Sie die Gebrauchsanweisung gründlich durch und bewahren Sie diese für einen späteren Zeitpunkt sorgfältig auf.
- Sollte keine Gebrauchsanweisung beiliegen, wenden Sie sich bitte an Bestway® oder gehen Sie auf www.bestwaycorp.com

ENTSORGUNG



Elektrogeräte dürfen nicht mit dem Hausmüll entsorgt werden. Bitte recyceln Sie diese an den davor vorgesehenen Orten. Tipps hinsichtlich des richtigen Recyclings erfragen Sie sich bei Ihrer lokalen Behörde oder Ihrem Händler.

TECHNISCHE SICHERHEITSHINWEISE

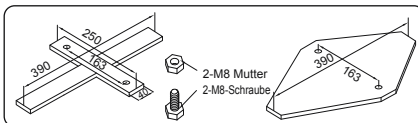
- Lassen Sie die Filterpumpe niemals laufen, während sich Personen im Pool befinden – Stromschlaggefahr.
- Stromschlaggefahr: Ziehen Sie stets den Stecker, bevor Sie jegliche Wartungen oder Veränderungen am Gerät vornehmen.
- Nehmen Sie keine Änderungen jeder Art am Stecker vor und verwenden Sie keine Adapterstecker.
- Graben Sie das Kabel nicht ein. Verlegen Sie dieses stets so, dass es von Rasenmähern, Heckenscheren und anderen Geräten nicht beschädigt werden kann.
- Diese Pumpe ist nur für lagerfähige Aufstellpools geeignet. Verwenden Sie sie nicht für eingelassene und fest installierte Schwimmbecken. Ein lagerfähiges Schwimmbecken ist so konstruiert, dass es für die Lagerung leicht demontiert und wieder in seiner ursprünglichen Form zusammengebaut werden kann. Ein festmontierter, eingelassener Pool kann nicht ohne Weiteres für eine Lagerung abgebaut werden.
- Der Betrieb der Pumpe mit einer nicht entsprechend angepassten elektrischen Versorgung ist gefährlich und führt zudem zu irreparablen Schäden an der Pumpe.
- Behandeln Sie die Pumpe mit Vorsicht. Verwenden Sie das Netzkabel niemals als Tragehilfe. Ziehen Sie niemals einen Stecker entlang des Kabels aus der Steckdose. Halten Sie das Kabel frei von Abschürfungen. Die Filterpumpe darf niemals mit scharfen Gegenständen, Öl, beweglichen Teilen und Hitze in Berührung kommen.
- Die Reinigung und Wartung müssen von einer erwachsenen Person durchgeführt werden, welche mit dem Risiko eines elektrischen Schlages vertraut ist.
- Wenden Sie sich im Zweifel an einen qualifizierten Installateur oder den Hersteller/Importeur/Vertreiber der Pumpe.
- Beachten Sie alle im Handbuch aufgeführten Sicherheitsanforderungen und Empfehlungen.
- Witterungseinflüsse können die Leistung und Lebensdauer Ihrer Filterpumpe beeinträchtigen. Vermeidbare Abnutzungen, welche bei Kälte, Hitze und Sonneneinstrahlung auftreten kann. Wann immer möglich, sollte die Pumpe vor den genannten Einflüssen geschützt werden.
- Es ist wichtig, dass Ein- und Auslassöffnungen mit den im Lieferumfang enthaltenen Verschlussstopfen werden, bevor die Pumpe vom Pool entfernt oder gewartet wird.
- Geben Sie keine Chemikalien in die Filterpumpe.
- Berühren Sie den Stecker nicht mit nassen Händen.

- Ziehen Sie stets den Stecker aus der Steckdose, wenn es regnet, vor der Reinigung oder anderen Wartungsarbeiten oder Sie das Gerät über einen längeren Zeitraum hinweg (Urlaub etc.) unbeaufsichtigt lassen.
- Dieses Produkt ist nicht für den gewerblichen Gebrauch bestimmt.

BEWAHREN SIE DIESE ANWEISUNGEN AUF

ANBRINGEN EINES SOCKELS

Die Norm EN60335-2-41 verlangt, dass die Filterpumpe vor Gebrauch aufrecht auf dem Boden oder einem Sockel aus Holz oder Beton platziert bzw. befestigt werden muss. Auf dem Sockel sollten zwei Löcher mit einem Durchmesser von 9 mm vorhanden sein, der Abstand zwischen ihnen sollte 163 mm betragen. Setzen Sie die Filterpumpe auf den Sockel und befestigen Sie diese mit Schrauben und Muttern. Alle Teile des Sockels sollten mehr als 18 kg wiegen, um eine gewisse Standfestigkeit zu gewährleisten.



AUFBAU


CHECKLISTE

Um im Karton enthaltenen Teile zu überprüfen, ziehen Sie die Teileliste in diesem Handbuch zu Rate. Vergewissern Sie sich, dass die Komponenten des Geräts dem Modell entsprechen, das Sie zu kaufen beabsichtigt haben. Sollten zum Zeitpunkt des Kaufs Teile beschädigt sein oder fehlen, besuchen Sie uns unter www.bestwaycorp.com/support.

WÄHLEN SIE DEN RICHTIGEN STANDORT


Stellen Sie die Filterpumpe auf einen festen und ebenen Untergrund. Wenn die Filterpumpe höher oder tiefer als der Sockel des Schwimmbeckens steht, kann die Leistung sowie Lebensdauer der Pumpe beeinträchtigt werden. Der Pool und die Filterpumpe müssen in einem Bereich mit ausreichendem Wasserabfluss und leichtem Zugang für Wartungsarbeiten aufgestellt werden. Stellen Sie die Filterpumpe niemals dort auf, wo sich Wasser ansammeln kann.

MONTAGE

- Für die korrekte Montage der Filterpumpe verwenden Sie bitte die entsprechenden Abbildungen . Die Zeichnungen dienen lediglich zur Veranschaulichung und entsprechen möglicherweise nicht dem tatsächlichen Produkt. Nicht maßstabsgetreu.
- Bestway® kann nicht für Schäden haftbar gemacht werden, welche auf unsachgemäße Handhabung oder Nichtbeachtung dieser Anweisungen zurückzuführen sind.
- Stellen Sie absolut sicher, dass sämtliche Anschlüsse vollkommen frei von Verstopfungen sind.
- Lassen Sie die Filterpumpe nicht im trockenen Zustand laufen. Stellen Sie sicher, dass sowohl Einlass als auch Auslass des Pools vollständig mit Wasser bedeckt sind.

WARTUNG

• Ziehen Sie vor der Wartung den Stecker.

- Die Wartungsanweisungen entnehmen Sie bitte den entsprechenden Abbildungen im Handbuch . Die Zeichnungen dienen lediglich zur Veranschaulichung und entsprechen möglicherweise nicht dem tatsächlichen Produkt. Nicht maßstabsgetreu.
- Zur Optimierung der Filterleistung sowie aus hygienischen Gründen empfehlen wir, die Filterkartusche alle zwei Wochen zu ersetzen.

LAGERUNG

- Entfernen Sie sämtliches Zubehör und stellen Sie sicher, dass Filterpumpe, Schläuche und Schmutzsiere vor der Lagerung vollständig sauber und trocken sind. Ist dies nicht der Fall, kann es zur Bildung von Schimmel kommen.
- Entfernen und entsorgen Sie vor der Lagerung die Filterkartusche.
- Wir empfehlen dringend, die Filterpumpe vom Pool zu entfernen, wenn die Außentemperatur unter 10°C liegt.
- Lagern Sie die Filterpumpe an einem trockenen Ort bei moderater Temperatur zwischen 10 und 38°C.

GARANTIEBEDINGUNGEN

Informationen zu den Garantiebedingungen finden Sie auf unserer Website unter: www.bestwaycorp.com.



GEBRUIKERSHANDLEIDING

58389/58675 Hmax 1,5m Filterpomp



Bezoek het Bestway YouTube kanaal

BELANGRIJKE VEILIGHEIDSINSTRUCTIES

LEES EN VOLG ALLE INSTRUCTIES

Lees, begrijp en volg alle informatie in deze gebruikershandleiding zorgvuldig voordat u de filterpomp installeert en gebruikt. Deze waarschuwingen, instructies en veiligheidsrichtlijnen behandelen enkele veelvoorkomende risico's van waterfiltersystemen, maar ze kunnen niet alle mogelijke risico's en gevaren dekken. Wees altijd voorzichtig en gebruik gezond verstand wanneer u gebruik maakt van enige wateractiviteit. Bewaar deze informatie voor toekomstig gebruik. Bovendien kan de volgende informatie verkregen worden afhankelijk van het pompfilter type. Bewaar de instructies op een veilige plaats. Indien er instructies ontbreken, kunt u deze opzoeken op de website www.bestwaycorp.com/support.

WAARSCHUWING

- De pomp moet worden gevoed door een scheidingstransformator of wordt gevoed via een aardlekschakelaar (RCD) met een nominale reststroom van niet meer dan 30 mA.
- Raadpleeg een gekwalificeerde elektricien voor eventuele vragen.
- De stroombron op de muur van het gebouw moet meer dan 4 m verwijderd zijn van het zwembad en op een hoogte van ten minste 1,2 m.
- De pompunit mag alleen worden gevoed met een extra lage veiligheidsspanning die overeenkomt met de markering op het apparaat.
- Verlengsnoeren mogen niet worden gebruikt.
- Als het netsnoer beschadigd is, moet het worden vervangen door de fabrikant, zijn servicevertegenwoordiger of gelijkaardig gekwalificeerde personen om gevaar te voorkomen.
- Dit apparaat kan worden gebruikt door kinderen van 8 jaar en ouder en personen met verminderde fysieke, zintuiglijke of mentale mogelijkheden of gebrek aan ervaring en kennis, indien ze onder toezicht staan of instructies hebben gekregen over het veilige gebruik van het apparaat en de mogelijke

gevaaren ervan begrijpen. Kinderen mogen niet met het apparaat spelen. Reiniging en gebruikersonderhoud mogen niet door kinderen zonder toezicht worden uitgevoerd.

- Houd de transformator weg het zwembad en de filterpomp op een afstand van meer dan 3,5 m.
- Wanneer het toestel lange tijd niet gebruikt wordt, zoals in de winter, dient de zwembadset gedemonteerd te worden en binnen opgeborgen te worden.
- Elektrische apparaten moeten de nationale bedradingsregels volgen.
- Alleen de media die door de fabrikant zijn geleverd of gespecificeerd, mogen bij de productinstallatie worden gebruikt.
- Het is essentieel om te controleren of de aanzuigopeningen niet verstopt zijn.
- Het wordt aangeraden om de filtratie te stoppen tijdens het onderhoud aan het filtersysteem.
- Controleer regelmatig het verstoppingsniveau van het filter.
- Voor de reiniging wordt een wekelijkse controle aanbevolen.
- Een minimale dagelijkse filtratie duurtijd van 8 uur wordt aanbevolen om helder zwembadwater te garanderen.
- Het is essentieel om elk beschadigd element of set elementen zo snel mogelijk te vervangen. Gebruik alleen onderdelen die zijn goedgekeurd door de persoon die verantwoordelijk is voor het op de markt brengen van het product.
- Alle filters en filtermedia moeten regelmatig worden geïnspecteerd om er zeker van te zijn dat er zich geen vuil ophoopt, waardoor een goede filtratie wordt verhinderd. De verwijdering van gebruikte filtermedia moet ook in overeenstemming zijn met de toepasselijke regelgeving/wetgeving.
- De installatie van de watercirculatie moet voldoen aan de Europese en nationale/lokale regelgeving, vooral als het gaat om elektrische problemen. Enige verandering van kleppositie, pomp grootte, roostergrootte kan een verandering van de stroom veroorzaken en de zuigsnelheid kan worden verhoogd.
- Het is noodzakelijk om de stekker toegankelijk te hebben na installatie van het zwembad.
- Lees de gebruiksaanwijzing aandachtig door en bewaar deze voor toekomstig gebruik.
- Als de instructies ontbreken, neem dan contact op met Bestway of zoek ernaar op de website: www.bestwaycorp.com

PRODUCT WEGDOEN



Elektrische producten mogen niet met het huisvuil worden weggegooid. Gelieve te recyclen waar faciliteiten aanwezig zijn. Neem contact op met uw plaatselijke overheid of winkelier voor advies over recycling.

TECHNISCHE VEILIGHEIDSINSTRUCTIES

- Risico op elektrische schokken, laat de filterpomp nooit werken als er mensen in het zwembad zwemmen.
- Risico op elektrische schokken, trek altijd de stekker uit het stopcontact voordat u het product verwijdert, schoonmaakt, onderhoudt of aanpast.
- Wijzig de stekker op geen enkele manier en gebruik geen stekkeradapters om de unit op de elektrische voeding aan te sluiten.
- Begraaf het snoer niet. Lokaliseer het snoer om schade door grasmaaiers, heggenscharen en andere apparatuur tot een minimum te beperken.
- Deze pomp is alleen voor gebruik met opbergbare zwembaden. Niet gebruiken met permanent geïnstalleerde zwembaden. Een opbergbaar zwembad is zo geconstrueerd dat het gemakkelijk kan worden gedemonteerd voor opslag en weer in zijn oorspronkelijke staat kan worden hersteld. Een permanent geïnstalleerd zwembad wordt zodanig in of op de grond of in een gebouw gebouwd dat het niet gemakkelijk kan worden gedemonteerd voor opslag.
- Het gebruik van de pomp met een ongeëvenaarde elektrische voeding is gevaarlijk en zal leiden tot een catastrofale storing van de pomp.
- Ga voorzichtig om met de pomp. Trek of draag de pomp niet aan het netsnoer. Trek nooit een stekker uit het stopcontact door aan het netsnoer te trekken. Houd het snoer vrij van beschadiging. Scherpe voorwerpen, olie, bewegende delen en hitte mogen nooit worden blootgesteld aan de filterpomp.
- Reiniging en gebruiksonderhoud moeten worden uitgevoerd door een volwassene die ouder dan 18 jaar is en bekend is met het risico van elektrische schokken.
- Neem in geval van twijfel over de pomp of circulatieapparatuur contact op met een gekwalificeerde installateur of de fabrikant/importeur/distributeur.
- Let op alle veiligheidseisen en aanbevelingen beschreven in de handleiding.
- Atmosferische omstandigheden kunnen de prestaties en levensduur van uw filterpomp beïnvloeden. Onnodige slijtage kan optreden tijdens periodes van koude, hitte en blootstelling aan de zon. Bescherm de pomp indien mogelijk tegen deze omstandigheden.
- Het is belangrijk om ervoor te zorgen dat de in de fabriek uitgeruste stoppluggen voor de inlaat- en uitlaatpoorten de schermen vervangen alvorens de pomp te verwijderen of er onderhoud aan te plegen.
- Voeg geen chemicaliën toe aan de filterpomp.
- Sluit het apparaat niet aan of trek de stekker niet uit het stopcontact als

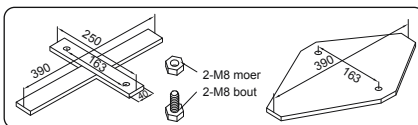
uw hand nat is.

- Haal altijd de stekker uit het stopcontact: op regenachtige dagen, voor reiniging of ander onderhoud, en wanneer u het onbeheerd achterlaat op vakantie.
- Dit product is niet bedoeld voor commercieel gebruik.

BEWAAR DEZE GEBRUIKSAANWIJZING.

EEN BASIS BEVESTIGEN

EN60335-2-41 TEST standaard vereist dat de filterpomp vóór gebruik verticaal op de grond of op een basis van hout of beton wordt bevestigd. Er moeten twee gaten met een diameter van 9 mm op de basis zijn, met een tussenruimte van 163 mm. Zet de filterpomp op de basis en bevestig ze aan elkaar door de bouten en moeren vast te draaien. Alle basisonderdelen moeten minimaal meer dan 18 kg wegen om te voorkomen dat de pomp per ongeluk valt.



SETUP

CHECK LIST

Raadpleeg de onderdelenlijst in deze handleiding om de onderdelen in de doos te controleren. Controleer of de onderdelen van de apparatuur overeenkomen met het model dat u van plan was te kopen. Bezoek onze website in het geval van beschadigde of ontbrekende onderdelen op het moment van aankoop: bestwaycorp.com/support.

KIES DE JUISTE LOCATIE

Plaats de filterpomp op een stevige en vlakke ondergrond; het moet op hetzelfde niveau worden geplaatst als de basis van het zwembad. Als de filterpomp zich in een hogere of lagere positie bevindt dan de bodem van het zwembad, kunnen de prestaties en de levensduur van de filterpomp in gevaar komen.

Het zwembad en de filterpomp moeten worden geplaatst in een gebied met adequate afvoermogelijkheden en gemakkelijke toegang voor onderhoud. Plaats de filterpomp nooit in een ruimte waar zich water kan verzamelen.

INSTALLATIE

- Raadpleeg voor de installatie instructies de afbeeldingsstappen in de handleiding. Tekeningen zijn alleen ter illustratie. Ze geven mogelijk niet het werkelijke product weer. Niet op schaal.
- Bestway is niet verantwoordelijk voor enige schade aan de filterpomp veroorzaakt door verkeerd gebruik of het niet opvolgen van deze instructies.
- Het is absoluut noodzakelijk om te controleren of de hydraulische aansluitingen niet verstopt zijn.
- Laat de filterpomp niet droog draaien. Zorg ervoor dat zowel de inlaat- als uitlaatkleppen van het zwembad volledig bedekt zijn met water voordat u de filterpomp gebruikt.

ONDERHOUD

- Zorg ervoor dat de filterpomp is losgekoppeld voordat er onderhoud wordt gepleegd.
- Raadpleeg voor de onderhoudsinstructies de afbeeldingsstappen in de handleiding. Tekeningen zijn alleen ter illustratie. Ze geven mogelijk niet het werkelijke product weer. Niet op schaal.
- Om de prestaties van de filterpomp te optimaliseren en om hygiënische redenen, raden we aan om de filterpatroon elke twee weken te vervangen door een nieuwe.

OPSLAG

- Verwijder alle accessoires; zorg ervoor dat de filterpomp, slangen en vuilschermen volledig schoon en droog zijn voordat u ze opbergt. Als niet alle onderdelen volledig droog zijn, kan er schimmel ontstaan.
- Alvorens opslag de filterpatroon verwijderen en weggooien.
- We raden ten eerste aan om de filterpomp te demonteren wanneer de omgevingstemperatuur lager is dan 10°C / 50°F.
- Bewaar de filterpomp op een droge plaats met een matige temperatuur tussen 10°C / 50°F en 38°C / 100°F.

WARUNKI GWARANCJI

Aby uzyskać informacje dotyczące warunków gwarancji, odwiedź naszą stronę internetową pod adresem: www.bestwaycorp.com.



MANUEL DE L'UTILISATEUR

58389/58675 Pompe de filtration Hmax 1,5 m



Visitez la chaîne YouTube de Bestway

CONSIGNES DE SÉCURITÉ IMPORTANTES

LISEZ ET SUIVEZ TOUTES LES INSTRUCTIONS

Lisez attentivement, prenez en compte et suivez toutes les informations de ce manuel d'utilisation avant d'installer et d'utiliser la pompe de filtration. Ces mises en garde, instructions et consignes de sécurité traitent de certains risques courants liés aux systèmes de filtration, mais ils ne peuvent en aucun cas couvrir tous les risques et dangers. Prenez toujours des précautions et faites preuve de bon sens quand vous pratiquez des activités aquatiques. Conservez ces informations pour une utilisation ultérieure. De plus, les informations suivantes peuvent être fournies en fonction du type de pompe de filtration. Conservez ces instructions dans un endroit sûr. Si une instruction est manquante, recherchez-la sur le site web. www.bestwaycorp.com/support.

ATTENTION

- La pompe doit être alimentée par un transformateur d'isolation ou un dispositif différentiel à courant résiduel (DDR) ayant un courant résiduel nominal ne dépassant pas 30 mA.
- Consultez un électricien qualifié pour toute question.
- La source de courant sur le mur du bâtiment ne doit pas être à plus de 4 m de la piscine et à une hauteur de 1,2 m au moins.
- La pompe ne doit être alimentée qu'en très basse tension conformément au marquage apposé sur l'appareil.
- Les rallonges électriques ne peuvent pas être utilisées.
- Si le cordon d'alimentation est endommagé, il doit être remplacé par le fabricant, son agent de service ou des personnes de qualification similaire afin d'éviter tout danger.
- Cet appareil peut être utilisé par des enfants âgés d'au moins 8 ans et par des personnes ayant des capacités physiques, sensorielles ou mentales réduites ou dénuées d'expérience ou de connaissance, s'ils (si elles) sont correctement surveillé(e)s ou si des instructions relatives à l'utilisation de

l'appareil en toute sécurité leur ont été données et si les risques encourus ont été appréhendés. Les enfants ne doivent pas jouer avec l'appareil. Le nettoyage et l'entretien par l'utilisateur ne doivent pas être effectués par des enfants sans surveillance.

- Tenez le transformateur éloigné de plus de 3,5 m de la piscine et de la pompe de filtration.
- Lorsque l'appareil n'est pas utilisé pendant une longue période, par exemple en hiver, le kit piscine doit être démonté et stocké en intérieur.
- Les installations électriques doivent suivre les règles de câblage nationales.
- Seuls les supports fournis ou spécifiés par le fabricant doivent être utilisés pour l'installation du produit.
- Il est essentiel de vérifier que les orifices d'aspiration ne sont pas obstrués.
- Il est conseillé d'arrêter la filtration lors des opérations d'entretien du système de filtration.
- Surveillez régulièrement le niveau de remplissage du filtre.
- Une vérification hebdomadaire est recommandée pour le nettoyage.
- Une durée minimale de fonctionnement de la filtration de 8 heures par jour est recommandée pour garantir une eau de piscine claire.
- Il est essentiel de changer tout élément ou ensemble d'éléments endommagés le plus rapidement possible. N'utilisez que des pièces approuvées par la personne responsable de la mise sur le marché du produit.
- Tous les filtres et les dispositifs filtrants doivent être inspectés régulièrement pour s'assurer qu'il n'y a pas d'accumulation de débris empêchant une bonne filtration. L'élimination de tout dispositif filtrant usagé doit également être conforme aux réglementations/législation en vigueur.
- L'installation du système de filtration d'eau doit être conforme aux réglementations européennes, nationales et locales, notamment en ce qui concerne les questions électriques. Toute modification de la position de la vanne, de la taille de la pompe, de la taille de la grille peut entraîner une modification du débit et la vitesse d'aspiration peut s'en trouver augmentée.
- La prise doit être accessible après l'installation de la piscine.
- Veuillez lire attentivement le manuel d'instructions et le conserver pour toute référence ultérieure.
- Si le manuel d'instruction est perdu, veuillez contacter Bestway ou le rechercher sur le site web www.bestwaycorp.com

ÉLIMINATION



Les produits électriques ne doivent pas être jetés avec les ordures ménagères. Veuillez jeter le produit dans les installations de collecte dédiées. Consultez la réglementation en vigueur ou votre revendeur pour obtenir des conseils de recyclage.

INSTRUCTIONS CONCERNANT LES TECHNIQUES DE SÉCURITÉ

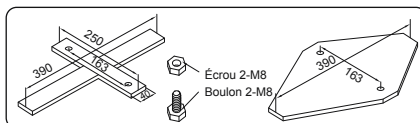
- Risque d'électrocution, ne faites jamais fonctionner la pompe de filtration lorsque des personnes se baignent dans la piscine.
- Risque d'électrocution, avant de retirer, de nettoyer, de réparer ou d'effectuer des réglages sur le produit, débranchez-le toujours de la prise électrique.
- Ne modifiez pas la fiche de quelque manière que ce soit et n'utilisez pas d'adaptateurs pour connecter l'appareil à l'alimentation électrique.
- Ne pas enterrer le cordon. Placez le cordon de manière à minimiser les risques liés aux tondeuses, taille-haies ou autre équipement.
- Cette pompe est destinée à être utilisée avec des piscines hors sol uniquement. Ne pas utiliser avec des piscines installées de façon permanente. Une piscine hors sol est construite de manière à pouvoir être facilement démontée pour être stockée et remontée dans son intégrité initiale. Une piscine installée en permanence est construite dans ou sur le sol ou dans un bâtiment de telle sorte qu'elle ne peut pas être facilement démontée pour être entreposée.
- L'utilisation de la pompe avec une alimentation électrique non adaptée est dangereuse et entraînera une panne grave de la pompe.
- Manipulez la pompe avec précaution. Ne tirez pas ou ne portez pas la pompe par le cordon d'alimentation. Ne retirez jamais une fiche de la prise en tirant sur le cordon d'alimentation. Veillez à ce que le cordon ne soit pas abîmé. La pompe de filtration ne doit jamais être mise en contact avec des objets tranchants, des hydrocarbures, des pièces mobiles et la chaleur.
- Le nettoyage et l'entretien par l'utilisateur doivent être effectués par un adulte de plus de 18 ans connaissant les risques d'électrocution.
- En cas de doute sur la pompe ou tout autre dispositif de circulation d'eau, contactez un installateur qualifié, ou le fabricant/importateur/distributeur.
- Respectez toutes les obligations et recommandations de sécurité décrites dans le manuel.
- Les conditions atmosphériques peuvent affecter les performances et la durée de vie de votre pompe filtrante. Une usure inutile peut se produire pendant les périodes de froid, de chaleur et d'exposition au soleil. Dans la mesure du possible, mettez la pompe à l'abri de ces éléments.
- Il est important de s'assurer que les bouchons d'obturation installés en usine sur les orifices d'entrée et de sortie remplacent les tamis avant de procéder à la dépose ou à l'entretien de la pompe.
- Ne pas ajouter de produits chimiques dans la pompe de filtration.

- Ne branchez ou ne débranchez pas l'appareil si votre main est mouillée.
- Débranchez toujours l'appareil : les jours de pluie, avant le nettoyage ou tout autre entretien, et si vous le laissez sans surveillance pendant les vacances.
- Ce produit n'est pas destiné à un usage commercial.

CONSERVEZ CE MODE D'EMPLOI

FIXATION D'UNE BASE

La norme EN60335-2-41 TEST exige que la pompe de filtration soit fixée verticalement sur le sol ou sur une base en bois ou en béton avant d'être utilisée. Il doit y avoir deux trous de 9 mm de diamètre sur la base, l'espace entre eux devant être de 163 mm. Placez la pompe de filtration sur la base et attachez-les ensemble en fixant les boulons et les écrous. Toutes les pièces de la base doivent peser au moins plus de 18 kg pour éviter que la pompe ne tombe accidentellement.



INSTALLATION

LISTE DE VÉRIFICATION


Pour vérifier les pièces incluses dans le carton, consultez la liste des pièces à l'intérieur de ce manuel. Vérifiez que les pièces de l'équipement correspondent au modèle que vous avez acheté. En cas de pièces endommagées ou manquantes au moment de l'achat, consultez notre site Internet bestwaycorp.com/support.

CHOISIR LE BON EMPLACEMENT

Placez la pompe de filtration sur un sol solide et plat ; elle doit être positionnée au même niveau que la base de la piscine. Si la pompe de filtration se trouve dans une position plus haute ou plus basse que base de la piscine, les performances et la durée de vie de la pompe de filtration peuvent être altérées.

La piscine et la pompe de filtration doivent être placées dans une zone avec un drainage adéquat et un accès facile pour les opérations d'entretien. Ne placez jamais la pompe de filtration dans un endroit où l'eau peut s'accumuler.

INSTALLATION

- Pour les instructions d'installation, reportez-vous aux étapes de l'illustration . Les dessins ne sont donnés qu'à titre d'illustration. Ils sont susceptibles de ne pas refléter le produit réel. Pas à l'échelle.
- Bestway n'est pas responsable des dommages causés à la pompe de filtration en raison d'une mauvaise manipulation ou du non-respect de ces instructions.
- Il est impératif de vérifier que les orifices d'aspiration ne sont pas obstrués.
- Ne faites pas fonctionner la pompe de filtration à sec. Assurez-vous que les vannes d'entrée et de sortie de la piscine sont entièrement immergées avant de faire fonctionner la pompe de filtration.

ENTRETIEN

- Assurez-vous que la pompe de filtration est débranchée avant tout entretien.
- Pour les instructions d'entretien, reportez-vous aux étapes d'illustration  dans le manuel. Les dessins ne sont donnés qu'à titre d'illustration. Ils sont susceptibles de ne pas refléter le produit réel.
- Pour optimiser les performances de la pompe de filtration et pour des raisons d'hygiène, nous suggérons de remplacer la cartouche de filtration par une nouvelle toutes les deux semaines.

STOCKAGE

- Retirez tous les accessoires ; assurez-vous que la pompe de filtration, les tuyaux et les grilles à débris sont totalement propres et secs avant le stockage. Si toutes les pièces ne sont pas complètement sèches, des moisissures peuvent apparaître.
- Avant le stockage, retirez et éliminez la cartouche de filtration.
- Nous recommandons fortement de démonter la pompe de filtration lorsque la température ambiante est inférieure à 10 °C.
- Stockez la pompe de filtration dans un endroit sec avec une température modérée entre 10 °C et 38 °C.

CONDITIONS DE GARANTIE

Pour toute information concernant les conditions de garantie, visitez notre site web sur www.bestwaycorp.com.



1 — Ring
2 — Lid
3 — Gasket
4 — Filter
5 — Power cord
6 — Water inlet/outlet
7 — Heating element
8 — Plug
9 — Ring
10 — Knob
11 — Base

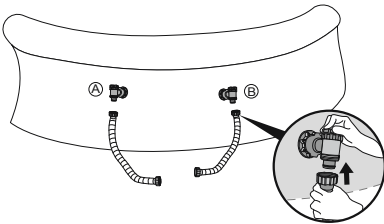
V1

V2

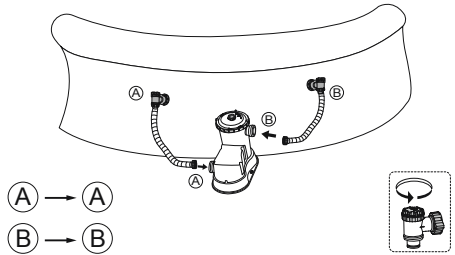
	V1	V2
1	x1	x1
2	x1	x1
3	x1	x1
4	x1	x1
5	x1	x1
6	x2	x2
7	x2	x2
8	x0	x2
9	x0	x2
10	x0	x1
11	x0	x1



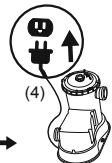
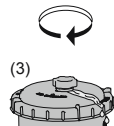
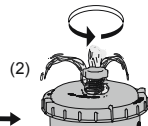
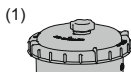
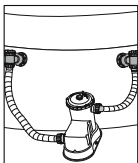
1.1



1.2



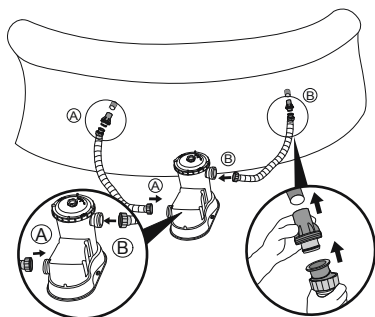
1.3



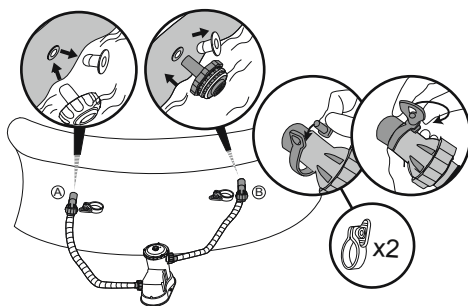


V2

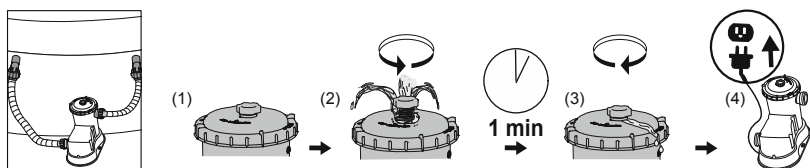
2.1



2.2

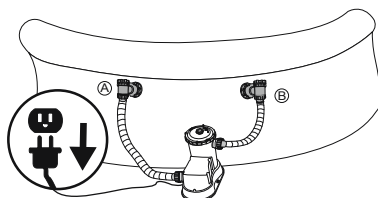


2.3

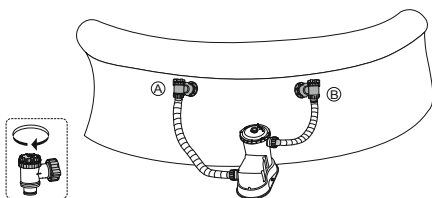


V1

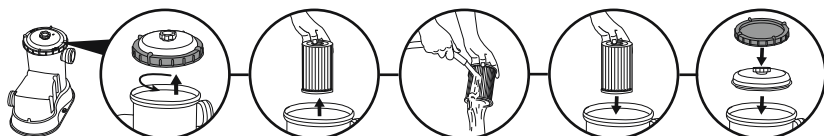
1.1



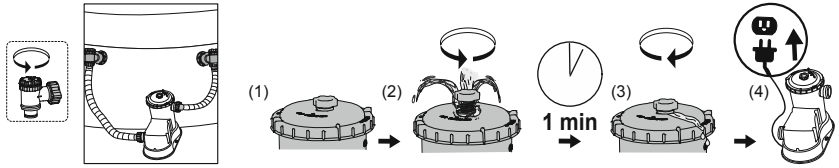
1.2



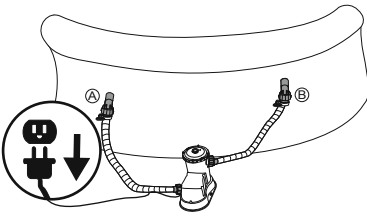
1.3



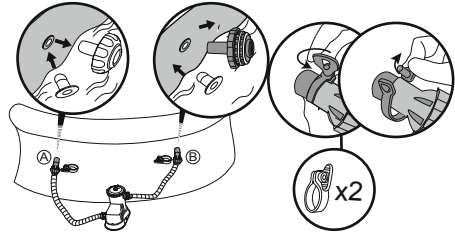
1.4



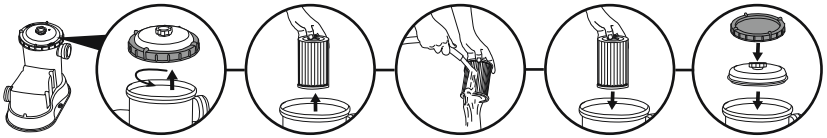
2.1



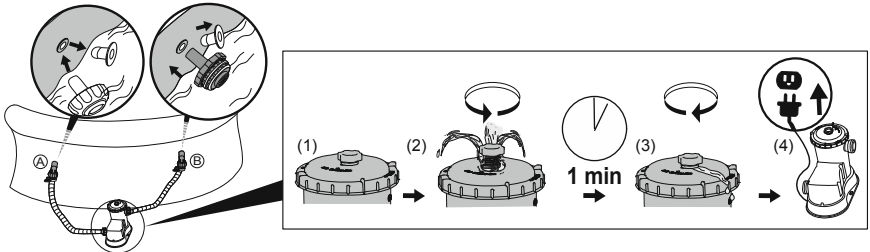
2.2

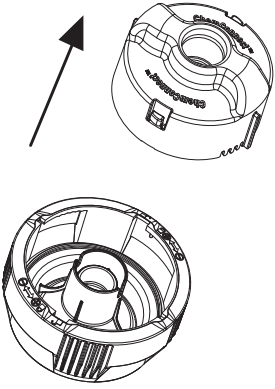
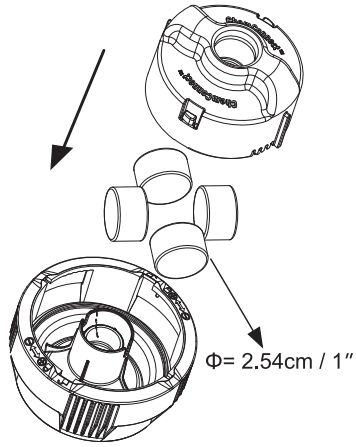
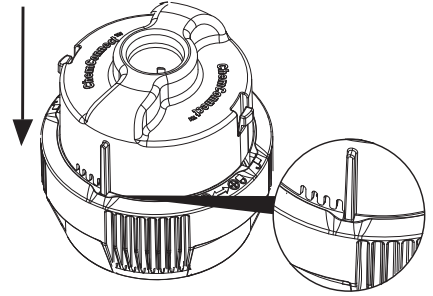
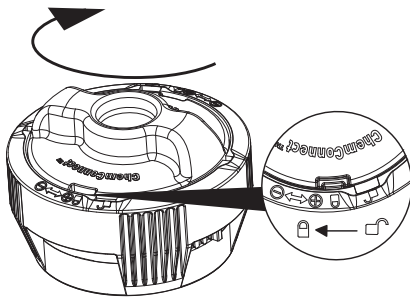
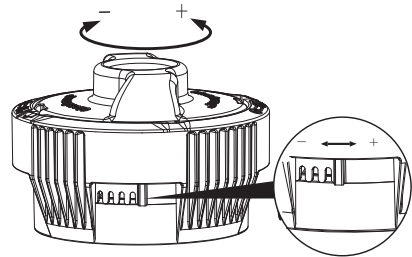
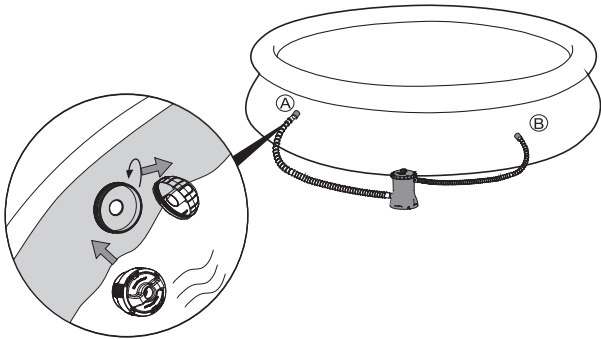
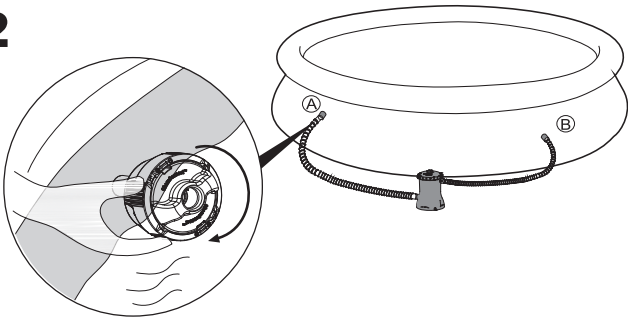
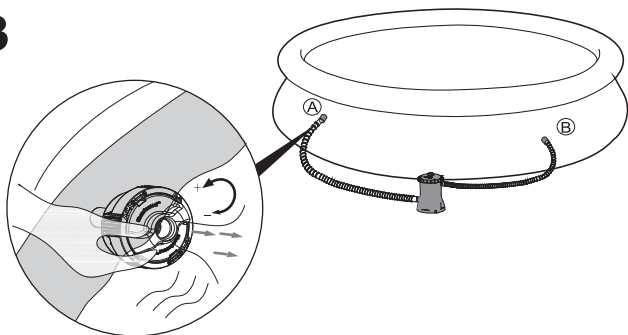
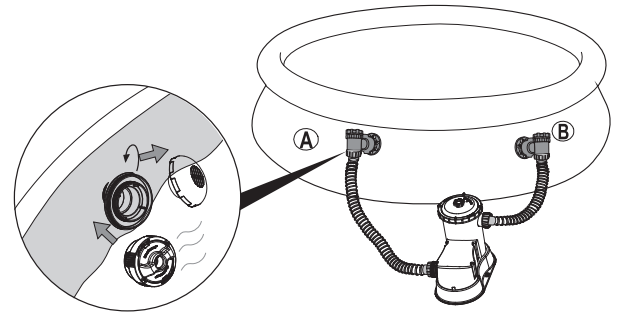
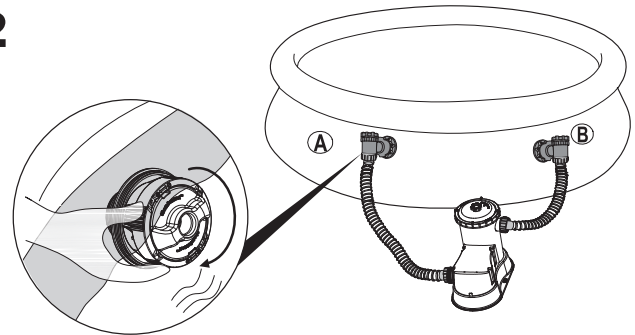
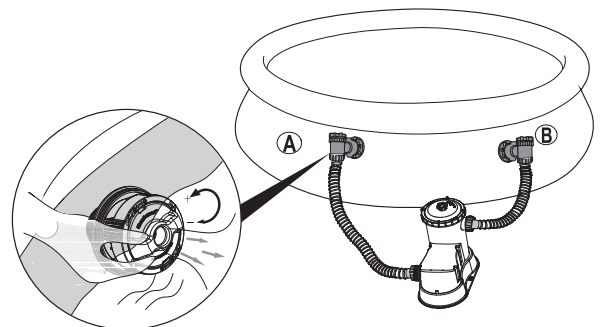


2.3



2.4



1**2****3****4****5****1****2****3****1****2****3**

Bestway[®]

58331

www.bestwaycorp.com

1.22m (48") Pool Ladder Model: 58331 OWNER'S MANUAL

Read all the instructions before assembling / using the ladder.

WARNING

Locate ladder on a solid base.

Only one person should use the ladder at a time.

The ladder shall be installed per manufacturer's instructions.

When entering/exiting the pool, face the ladder at all times.

Secure ladder when the pool is not occupied or there is no adult.

No person should ever attempt to dive from ladder, pool side, or nearby object.

The ladder should only be placed in the pool when

proper adult supervision is present and attentive.

Pool users should swim and play away from ladder area. Ladder may cause injury to pool users if not regarded as a potential hazard.

Always check ladder assembly screws and retention clips, splinters or any sharp edges before use.

Monitor bolts and keep them away from children.

This ladder is designed to be used in the pool for entering / exiting. Do not use the ladder for any other purpose.

Keep all small ladder parts out of the reach of children.

The ladder is not a toy, use caution when using.

Ignoring maintenance requirements may result in serious health risks, especially for children.

SPECIFICATION

Maximum load weight: 150kg (330lbs).

The 1.22m (48") ladder is designed and manufactured for maximum 1.22m (48") wall height and 30cm (11.8") wall width pools.

Échelle de piscine de 1,22 m (48 po) Modèle : 58331 NOTICE D'UTILISATION

Lisez toutes les instructions avant de monter / d'utiliser l'échelle.

ATTENTION

Placez l'échelle sur une base solide.

Une seule personne à la fois peut utiliser l'échelle.

L'échelle doit être installée conformément aux instructions du fabricant. Quand vous entrez dans la piscine ou que vous en sortez, vous devez toujours être face à l'échelle. Sécurisez l'échelle quand la piscine n'est pas occupée ou qu'aucun d'adulte n'est présent.

Personne ne doit jamais tenter de plonger à partir de l'échelle, du bord de la piscine ou d'un objet proche.

L'échelle ne doit être placée dans la piscine que sous la supervision attentive d'un adulte.

Les utilisateurs de la piscine doivent nager et jouer loin de l'échelle. L'échelle peut blesser les

utilisateurs de la piscine s'ils ne la considèrent pas comme un éventuel danger.

Contrôlez toujours les vis de montage et les fixations, l'écaillage ou toute arête vive avant l'utilisation.

Supervisez les boulons et gardez-les loin des enfants.

Cette échelle est conçue pour être utilisée pour entrer / sortir de la piscine. N'utilisez pas l'échelle pour

aucun autre usage.

Conservez toutes les petites pièces de l'échelle hors de portée des enfants. L'échelle n'est pas un

jouet, faites attention quand vous l'utilisez.

Le non-respect des exigences d'entretien peut entraîner des dangers sérieux pour la santé, en

particulier chez les enfants.

CARACTÉRISTIQUES

Charge maximale : 150 kg (330 lbs).

L'échelle de 1,22 m (48 po) est conçue et fabriquée pour des piscines ayant une hauteur de paroi de 1,22 m (48 po) et une largeur de paroi de 30 cm (11,8 po) maximum.



CONSIGNE POUVANT VARIER LOCALEMENT > WWW.CONSIGNESDETFR.FR

1,22m (48") Poolleiter Modell: 58331 BENUTZERHANDBUCH

Lesen Sie die Anleitung aufmerksam durch, bevor Sie die Leiter montieren/verwenden.

ACHTUNG

Platzieren Sie die Leiter auf einem festen Untergrund.

Erlauben Sie jeweils nur einer Person gleichzeitig die Benutzung der Leiter.

Die Leiter muss gemäß der Anweisungen des Herstellers installiert werden.

Wenden Sie sich beim Betreten/Verlassen des Pools stets der Leiter zu.

Sichern Sie die Leiter, wenn sich niemand im Pool befindet oder kein Erwachsener zugegen ist.

Es darf niemals versucht werden, Tauchsprünge von der Leiter, der Poolseite oder sonstigen Objekten in der Nähe auszuführen.

Die Leiter darf nur im Pool platziert werden, wenn eine aufmerksame

Bauführung durch Erwachsene gewährleistet ist.

Schwimm- und Spielaktivitäten innerhalb des Pools müssen außerhalb des

Leiterbereichs erfolgen. Wenn die Leiter nicht als potenzieller Gefahrenherd

angesehen wird, kann dies zu Verletzungen führen.

Überprüfen Sie vor jeder Benutzung die Montageschrauben und

Halteklammern sowie sämtliche scharfen Kanten.

Prüfen Sie die Verschraubungen und bewahren Sie diese für Kinder

unzugänglich auf.

Diese Leiter ist zur Verwendung im Pool konstruiert, um diesen zu

betreten/verlassen. Verwenden Sie die Leiter niemals für andere Zwecke.

Bewahren Sie sämtliche Kleinteile der Leiter außerhalb der Reichweite von

Kindern auf. Die Leiter ist kein Spielzeug. Benutzen Sie die Leiter mit

entsprechender Vorsicht.

Eine Nichtbeachtung der Betriebsanweisung kann zu ernstem

Gesundheitsgefahren führen, besonders für Kinder.

TECHNISCHE DATEN

Maximale Tragfähigkeit: 150kg (330lbs).

Die 1,22m (48") Leiter wurde für Pools mit einer Wandhöhe von maximal

1,22m (48") und einer Wandbreite von maximal 30cm (11,8") entwickelt und

hergestellt.

Scaletta per piscina da 1,22m Modello: 58331 MANUALE D'USO

Leggere tutte le istruzioni prima di montare/usare la scaletta.

AVVERTENZA

Collocare la scaletta su una base solida.

La scaletta deve essere usata solo da una persona alla volta e

installata attenendosi alle istruzioni del produttore.

Entrare e uscire dalla piscina sempre rivolti verso la scaletta.

Sbarrare la scaletta quando la piscina non è occupata o in

assenza di adulti.

Nessuno deve tentare di tuffarsi dalla scaletta, dal bordo della

piscina o da oggetti vicini.

La scaletta deve essere collocata nella piscina solo in presenza di

un'adeguata e attenta supervisione da parte di un adulto.

Si raccomanda di nuotare e giocare lontano dalla scaletta. Se

non considerata come un potenziale pericolo, la scaletta può

causare lesioni agli utenti della piscina.

Prima dell'uso, controllare sempre le viti di montaggio, i morsetti

di tenuta della scaletta ed eventuali schegge o bordi appuntiti.

Controllare i bulloni e tenerli lontano dai bambini.

La scaletta è stata progettata per essere collocata nella piscina e

utilizzata per entrarvi e uscirvi. Non utilizzarla per altri scopi.

Tenere tutti i componenti piccoli della scaletta fuori dalla portata

dei bambini. La scaletta non è un giocattolo, utilizzarla con

cautela.

Ignorare i requisiti di manutenzione potrebbe causare gravi rischi

per la salute, soprattutto per i bambini.

SPECIFICHE

Peso massimo di carico: 150kg.

La scala da 1,22m è progettata e prodotta per piscine con

un'altezza di 1,22m e una larghezza massima della parete di

30cm.

1,22m (48") Zwembadladder
Model: 58331
GEBRUIKERSHANDLEIDING

Lees alle instructies vooraleer de ladder te monteren/te gebruiken.

WAARSCHUWING

Plaats de ladder op een stevige ondergrond.
Slechts één persoon kan de ladder tegelijkertijd gebruiken.
De ladder moet volgens de instructies van de fabrikant geïnstalleerd worden. Bij het in/uitstappen van het zwembad moet men steeds met het gezicht uitzien op de ladder. Bevestig de ladder wanneer er niemand in het zwembad is.
Men mag niet duiken van op de ladder, de zijkant van het zwembad of een object in de buurt van het zwembad.
De ladder mag enkel in het zwembad geplaatst worden wanneer een volwassene aanwezig en oplettend is.
Gebruikers van het zwembad moeten zwemmen en spelen op een afstand van het laddergebied. De ladder kan letsels veroorzaken bij zwembadgebruikers indien deze niet als een potentieel gevaar wordt beschouwd.
Controleer altijd de ladderomtagenschroeven en retentieclips, splinters of andere scherpe randen vóór gebruik.
Controleer de bouten en houd ze op een afstand van kinderen. Deze ladder is ontworpen om in- of uit het zwembad te stappen.
Gebruik de ladder niet voor andere doeleinden.
Houd alle kleine ladderonderdelen buiten het bereik van kinderen. De ladder is geen speelgoed, wees voorzichtig bij het gebruik.
Het negeren van de onderhoudsvereisten kan resulteren in ernstige gezondheidsrisico's, vooral voor kinderen.

SPECIFICATIE

Maximum draaggewicht: 150kg (330lbs).
De ladder van 1,22m (48") ladder is ontworpen en gemaakt voor een wandhoogte van 1,22m (48") en voor zwembaden met een wandbreedte van maximum 30cm (11,8").

1,22m bassinstige
Model: 58331
BRUGERVEJLEDNING

Læs hele vejledningen, før stigen samles/bruges.

ADVARSEL

Placer stigen på et fast underlag.
Stigen må kun bruges af én person ad gangen.
Stigen skal monteres som beskrevet i producentens vejledning. Ved i-/udstigning af bassinet skal man altid vende ind mod stigen. Stigen skal sikres mod brug, hvis der ikke er nogen i bassinet, eller hvis der ikke er voksne tilstede.
Ingen må på noget tidspunkt forsøge at dykke fra stigen, bassinkanten eller genstande i nærheden.
Stigen må kun placeres i bassinet, når der er voksen person tilstede og holder tæt opsyn.
Bassinbrugerne skal svømme og lege på afstand fra stigen. Stigen kan anrette personskader på bassinets brugere, hvis den ikke betragtes som et muligt faremoment.
Kontroller altid stigedele uden samleskrue og holdclips, og hold øje med splinter og skarpe kanter før brug.
Hold øje med bolte og hold børn på afstand af dem.
Stigen er kun beregnet til brug, når der trædes i og ud af bassinet. Brug ikke stigen til noget andet formål.
Hold alle små stigedele ude af børns rækkevidde. Stigen er ikke et legetøj, vær forsigtig, når den bruges.
Forsømmelse af nødvendigt vedligehold kan medføre alvorlige skader på helbredet, især for børn.

SPECIFIKATIONER

Maksimum belastning: 150kg.
Stigen på 1,22m er konstrueret og fremstillet til en væghøjde på 1,22m og en bassinvægsbredde på maksimum 30cm.

Escalera de piscina de 1,22m (48")
Modelo: 58331
MANUAL DE INSTRUCCIONES

Lea todas las instrucciones antes de utilizar la escalera.

ADVERTENCIA

Coloque la escalera sobre una base sólida.
Los usuarios deben usar la escalera de uno en uno.
La escalera debe instalarse según las instrucciones del fabricante. Colóquese siempre de cara a la escalera al entrar o salir de la piscina. Guarde la escalera cuando la piscina no esté en uso o no haya un adulto presente.
No zambullirse desde la escalera, el borde de la piscina o un objeto cercano.
La escalera solo debe colocarse en la piscina en presencia de supervisión adulta adecuada y atenta.
Se recomienda nadar y jugar lejos de la zona de la escalera. La escalera podría causar lesiones a los usuarios de la piscina si no se la considera como un riesgo potencial.
Compruebe siempre los tornillos y los clips de retención de la escalera, la presencia de astillas o cualquier borde puntiagudo antes del uso.
Compruebe los tornillos y manténgalos alejados de los niños.
Esta escalera ha sido diseñada para entrar y salir de la piscina. No utilice la escalera para usos distintos.
Mantenga las piezas pequeñas fuera del alcance de los niños.
La escalera no es un juguete, úsela con cuidado.
Ignorar los requisitos de mantenimiento podría comportar graves riesgos para la salud, especialmente para los niños.

ESPECIFICACIONES

Peso máximo de carga: 150kg (330lbs).
La escalera de 1,22m (48") ha sido diseñada y fabricada para piscinas con paredes de 1,22m (48") de altura y 30cm (11,8") de ancho como máximo.

Escada de Piscina 1,22m (48")
Modelo: 58331
MANUAL DO PROPRIETÁRIO

Leia todas as instruções antes de montar / utilizar a escada.

ATENÇÃO

Coloque a escada numa base sólida.
A escada deve ser utilizada apenas por uma pessoa a cada vez.
A escada deve ser instalada de acordo com as instruções do fabricante. Quando entrar/sair da piscina, coloque-se sempre voltado para a escada. Coloque a escada em segurança quando a piscina não estiver ocupada ou na ausência de adultos.
Ninguém deve tentar, sob forma alguma, mergulhar da escada, da lateral da piscina ou objecto próximo.
A escada só deve ser colocada na piscina com supervisão atenta de adultos.
Os utilizadores da piscina devem nadar e brincar afastados da zona da escada. A escada pode causar ferimentos aos utilizadores caso não seja considerada como um perigo potencial.
Verifique sempre os parafusos de fixação e os clips de retenção da escada, farpas ou qualquer aresta afiada antes de a utilizar. Monitorize os parafusos e mantenha-os afastados das crianças.
Esta escada foi concebida para ser utilizada na entrada / saída da piscina. Não utilize a escada para qualquer outra finalidade.
Mantenha todas as partes pequenas da escada longe do alcance das crianças. A escada não é um brinquedo, utilize-a com precaução.
Caso ignore as normas de manutenção isso pode resultar em riscos sérios para a saúde, especialmente para as crianças.

ESPECIFICAÇÕES

Carga máxima: 150kg (330lbs).
A escada de e 1,22m (48") está concebida e fabricada para uma altura de parede de 1,22m (48") e um máximo de 30cm (11,8") de espessura da parede das piscinas.

ΣΚΑΛΑ ΠΙΣΙΝΑΣ 1,22μ (48")
ΜΟΝΤΕΛΟ: 58331
ΕΓΧΕΙΡΙΔΙΟ ΧΡΗΣΤΗ

ΔΙΑΒΑΣΤΕ ΟΛΕΣ ΤΙΣ ΟΔΗΓΙΕΣ ΠΡΙΝ ΑΠΟ ΤΗ ΣΥΝΑΡΜΟΛΟΓΗΣΗ / ΧΡΗΣΗ ΤΗΣ ΣΚΑΛΑΣ.

ΠΡΟΕΙΔΟΠΟΙΗΣΗ

ΤΟΠΟΘΕΤΗΣΤΕ ΤΗ ΣΚΑΛΑ ΣΕ ΜΙΑ ΣΤΑΘΕΡΗ ΒΑΣΗ.
ΜΟΝΟ ΕΝΑ ΑΤΟΜΟ ΘΑ ΠΡΕΠΕΙ ΝΑ ΧΡΗΣΙΜΟΠΟΙΕΙ ΤΗ ΣΚΑΛΑ ΚΑΘΕ ΦΟΡΑ.
Η ΣΚΑΛΑ ΠΡΕΠΕΙ ΝΑ ΕΓΚΑΤΑΣΤΑΘΕΙ ΣΥΜΦΩΝΑ ΜΕ ΤΙΣ ΟΔΗΓΙΕΣ ΤΟΥ ΚΑΤΑΣΚΕΥΑΣΤΗ. ΚΑΤΑ ΤΗΝ ΕΙΣΟΔΟ/ΕΞΟΔΟ ΑΠΟ ΤΗΝ ΠΙΣΙΝΑ, ΝΑ ΚΟΙΤΑΤΕ ΠΑΝΤΑ ΠΡΟΣ ΤΗ ΣΚΑΛΑ. ΑΣΦΑΛΙΣΤΕ ΤΗ ΣΚΑΛΑ ΟΤΑΝ Η ΠΙΣΙΝΑ ΔΕΝ ΕΙΝΑΙ ΚΑΤΕΙΛΜΜΕΝΗ Η ΟΤΑΝ ΔΕΝ ΥΠΑΡΧΕΙ ΚΑΠΟΙΟΣ ΕΝΗΛΙΚΑΣ. ΚΑΝΕΝΑΣ ΔΕΝ ΠΡΕΠΕΙ ΠΟΤΕ ΝΑ ΕΠΙΧΕΙΡΗΣΕΙ ΝΑ ΒΟΥΤΗΣΕΙ ΑΠΟ ΤΗ ΣΚΑΛΑ, ΑΠΟ ΤΗΝ ΠΛΕΥΡΑ ΤΗΣ ΠΙΣΙΝΑΣ, Η ΑΠΟ ΚΟΝΤΙΝΟ ΑΝΤΙΚΕΙΜΕΝΟ. Η ΣΚΑΛΑ ΘΑ ΠΡΕΠΕΙ ΝΑ ΤΟΠΟΘΕΤΗΘΕΙ ΣΤΗΝ ΠΙΣΙΝΑ ΜΟΝΟ ΟΤΑΝ ΥΠΑΡΧΕΙ ΣΩΣΤΗ ΕΠΙΒΛΕΨΗ ΑΠΟ ΕΝΗΛΙΚΑ.
ΟΙ ΧΡΗΣΤΕΣ ΤΗΣ ΠΙΣΙΝΑΣ ΘΑ ΠΡΕΠΕΙ ΝΑ ΚΟΛΥΜΠΟΥΝ ΚΑΙ ΝΑ ΠΑΙΖΟΥΝ ΜΑΚΡΙΑ ΑΠΟ ΤΗΝ ΠΕΡΙΟΧΗ ΤΗΣ ΣΚΑΛΑΣ. Η ΣΚΑΛΑ ΜΠΟΡΕΙ ΝΑ ΠΡΟΚΛΕΣΕΙ ΤΡΑΥΜΑΤΙΣΜΟ ΣΤΟΥΣ ΧΡΗΣΤΕΣ ΤΗΣ ΠΙΣΙΝΑΣ ΕΑΝ ΔΕΝ ΘΕΩΡΗΘΕΙ ΟΣ ΕΝΑΣ ΠΡΩΑΝΟΣ ΚΙΝΔΥΝΟΣ.
ΕΛΕΓΧΤΕ ΠΑΝΤΑ ΤΙΣ ΒΙΔΕΣ ΣΥΝΑΡΜΟΛΟΓΗΣΗΣ ΚΑΙ ΤΑ ΚΛΙΠ ΣΥΓΚΡΑΤΗΣΗΣ ΤΗΣ ΣΚΑΛΑΣ, ΓΙΑ ΑΚΙΔΕΣ Η ΑΙΧΜΗΡΕΣ ΑΚΜΕΣ ΠΡΙΝ ΑΠΟ ΤΗ ΧΡΗΣΗ.
ΠΑΡΑΚΟΛΟΥΘΕΙΤΕ ΤΑ ΜΠΟΥΛΟΝΙΑ ΚΑΙ ΚΡΑΤΗΣΤΕ ΤΑ ΜΑΚΡΙΑ ΑΠΟ ΠΑΙΔΙΑ.
Η ΣΚΑΛΑ ΑΥΤΗ ΕΧΕΙ ΣΧΕΔΙΑΣΤΕΙ ΓΙΑ ΝΑ ΧΡΗΣΙΜΟΠΟΙΕΙΤΑΙ ΣΤΗΝ ΠΙΣΙΝΑ ΓΙΑ ΤΗΝ ΕΙΣΟΔΟ / ΕΞΟΔΟ, ΜΗΝ ΧΡΗΣΙΜΟΠΟΙΕΙΤΕ ΤΗ ΣΚΑΛΑ ΓΙΑ ΟΥΛΙΟΝΑΗΠΙΟΤΕ ΑΛΛΟ ΣΚΟΠΟ.
ΚΡΑΤΗΣΤΕ ΟΛΑ ΤΑ ΜΙΚΡΑ ΕΞΑΡΤΗΜΑΤΑ ΤΗΣ ΣΚΑΛΑΣ ΜΑΚΡΙΑ ΑΠΟ ΠΑΙΔΙΑ. Η ΣΚΑΛΑ ΔΕΝ ΕΙΝΑΙ ΠΑΙΧΝΙΔΙ, ΕΠΙΔΕΙΞΤΕ ΠΡΟΣΟΧΗ ΚΑΤΑ ΤΗ ΧΡΗΣΗ ΤΗΣ.
Η ΠΑΡΑΒΛΕΨΗ ΤΩΝ ΑΠΑΙΤΗΣΕΩΝ ΣΥΝΤΗΡΗΣΗΣ ΜΠΟΡΕΙ ΝΑ ΠΡΟΚΛΕΣΕΙ ΤΙΣ ΣΟΒΑΡΟΥΣ ΚΙΝΔΥΝΟΥΣ ΓΙΑ ΤΗΝ ΥΓΕΙΑ, ΕΙΔΙΚΑ ΓΙΑ ΤΑ ΠΑΙΔΙΑ.

ΠΡΟΔΙΑΓΡΑΦΕΣ

ΒΑΡΟΣ ΜΕΓΙΣΤΟΥ ΦΟΡΤΙΟΥ: 150KG (330LBS).
Η ΣΚΑΛΑ 1,22μ (48") ΕΧΕΙ ΣΧΕΔΙΑΣΤΕΙ ΚΑΙ ΚΑΤΑΣΚΕΥΑΣΤΕΙ ΓΙΑ ΠΙΣΙΝΕΣ ΜΕ ΥΨΟΣ ΤΟΙΧΩΜΑΤΟΣ 1,22μ (48") ΚΑΙ ΜΕΓΙΣΤΟ ΠΛΑΤΟΣ ΤΟΙΧΩΜΑΤΟΣ 30εκm (11,8").

Bazénový schůdky 1,22m (48")
Model: 58331
PŘÍRUČKA PRO MAJITELE

Před sestavením a používáním bazénových schůdků si přečtěte veškeré pokyny.

UPOZORNĚNÍ

Umístěte schůdky na pevný podklad.
Na schůdkách smí stát vždy pouze jedna osoba.
Schůdky je třeba nainstalovat podle pokynů výrobce. Při vstupu a výstupu z bazénu stůjte vždy čelem ke schůdkům. Pokud v bazénu nikdo není nebo pokud bazén není pod dohledem dospělé osoby, schůdky zajistěte.
Za žádných okolností se nikdo nesmí pokoušet skákat ze schůdků, okraje bazénu nebo jiného objektu v blízkosti bazénu.
Schůdky umísťujte do bazénu, pouze je-li přítomen dospělý dozor, který dává pozor.
Osoby v bazénu musí plavat a hrát si v bezpečné vzdálenosti od schůdků.
Pokud si nejste vědomi potenciálního rizika, mohou schůdky způsobit zranění osob v bazénu.
Před použitím vždy zkontrolujte šrouby a přichytné klipy schůdků a také těfsky nebo ostré hrany.
Sledujte šrouby a udržujte je mimo dosah dětí.
Tyto schůdky jsou určeny k použití ke vstupu do bazénu a výstupu z něj. Nepoužívejte je k žádnému jinému účelu.
Uchovávejte malé součásti schůdků mimo dosah dětí. Schůdky nejsou hračka, při jejich použití budete opatrní.
Nerespektování doporučení pro údržbu může vést k vážným zdravotním rizikům, zvláště u dětí.

TECHNICKÉ ÚDAJE

Maximální zatížení: 150 kg
Schůdky 1,22m (48") jsou určeny a vyrobeny pro použití s bazény, jejichž stěny jsou vysoké 1,22m (48") a mají maximální šířku 30cm (11,8").

Лестница для бассейна 1,22м.
№ модели: 58331
РУКОВОДСТВО ПОЛЬЗОВАТЕЛЯ

Прочитайте инструкцию до сборки и использования лестницы.

ВНИМАНИЕ

Разместите лестницу на твердой поверхности.
Лестницей не могут пользоваться несколько человек одновременно.
Лестница должна быть установлена в соответствии с инструкциями производителя.
При спуске в бассейн и подъеме из него необходимо всегда находиться лицом к лестнице.
Всегда обходите лестницу, когда бассейн не используется или когда поблизости нет взрослых.
Никогда не пытайтесь нырять в бассейн с лестницы, с бортика бассейна или любого другого находящегося поблизости предмета.
Опускайте лестницу в бассейн только тогда, когда поблизости находятся взрослые и внимательно следят за детьми.
Играя и плавая в бассейне, держитесь вдаль от лестницы.
Лестница может стать причиной травм, если не рассматривать ее как потенциально опасный предмет.
Перед тем, как использовать лестницу, всегда проверяйте надежность болтов и удерживающих кронштейнов, а также отсутствие на лестнице занос и острых краев.
Следите за болтами и храните их в недоступном для детей месте.
Лестница предусмотрена для использования во время спуска в бассейн и подъема из него.
Не используйте лестницу в других целях.
Храните все мелкие части лестницы в недоступном для детей месте.
Лестница - не игрушка, соблюдайте осторожность во время ее использования.
Несоблюдение правил установки и обслуживания лестницы может привести к серьезным травмам, особенно в случае детей.

ТЕХНИЧЕСКИЕ ХАРАКТЕРИСТИКИ

Максимальная допустимая нагрузка: 150 кг.
Лестница высотой 1,22м. предназначается для бассейна со стенками высотой 1,22м. И шириной максимум 30см.

1,22m bassengstige
Modell: 58331
BRUKERHÅNDBOK

Les alle instruksjonene før montering/bruk av stigen.

ADVARSEL

Plasser stigen på et solid underlag.
Bare en person bør bruke stigen om gangen.
Stigen skal installeres etter produsentens instruksjoner. Man skal alltid stå vendt mot stigen når man går inn/ut av bassenget. Sikre stigen når bassenget ikke er i bruk eller det ikke er en voksen der.
Forsøk aldri å stupe fra stigen, bassengkanten, eller fra noe objekt i nærheten.
Stigen bør bare plasseres i bassenget når en voksen er til stede og har tilsyn.
Bassengbrukere bør svømme og leke unna stigeområdet. Stigen kan forårsake skade for bassengbrukere dersom farene ikke blir tatt hensyn til.
Sjekk alltid stignens monteringskruene og holdeklemmene, og kontroller at det ikke finnesfiser eller skarpe kanter før bruk.
Ha oppsyn med bolter, og hold dem borte fra barn.
Denne stigen er konstruert for å komme seg opp i eller ut av bassenget. Bruk ikke stigen for noe annet formål.
Oppbevar alle små deler utenfor rekkevidde for barn. Stigen er ikke et lekketøy, utvis forsiktighet ved bruk.
Hvis du unnlater å utføre påkrevd vedlikehold kan det føre til alvorlige helseisrisiko, spesielt for barn.

SPESIFIKASJONER

Maksimum belastning: 150kg (330lbs).
Den 1,22m (48") høye stigen er konstruert og produsert for 1,22m (48") veggthøye og bassenger med maksimum 30 centimeters (11,8") veggtykkelse.

1,22m (48") Poolstege Modell: 58331 ANVÄNDARENS HANDBOK

Läs alla instruktioner före montering / användning av stegen.

VARNING

Placera stegen på ett solitt underlag.

Bara en person i taget ska använda stegen.

Stegen skall installeras enligt tillverkarens instruktioner. När du går in i poolen eller går ur den, skall du alltid vara vänd mot stegen. Spärra stegen när poolen inte används eller det inte finns någon vuxen närvarande.

Ingen person skall någonsin försöka dyka från stegen, poolsidan eller näralliggande föremål.

Stegen skall bara vara placerad i poolen när gott vuxet överinseende är närvarande och observant.

Poolanvändare skall simma och leka bort från stegområdet. Stegen kan försäkra skada på poolanvändarna om den inte betraktas som en möjlig fara.

Kontrollera alltid stegens monteringskruvar och fasthållningsklämmor, flisor eller skarpa eggar före användning.

Övervaka bultar och håll dem borta från barn.

Denna stege är utformad för att användas i poolen för att komma in och ut. Använd inte stegen för något annat ändamål.

Håll alla små delar av stegen utom räckhåll för barn. Stegen är inte en leksak, använd försiktighet vid användning.

Att ignorera underhållskrav kan resultera i allvarliga hälsorisker, speciellt för barn.

SPECIFIKATION

Maximal belastningsvikt: 150kg (330pund).

Stegen som är 1,22m (48tum) är utformad för en vägg höjd på 1,22m (48tum) och maximum 30cm (11,8tum) väggbredds pooler.

Uima-allastikkaat, 1.22m (48") Malli: 58331 KÄYTTÖOPAS

Lue kaikki ohjeet ennen tikkaiden kokoamista/käyttöä.

VAROITUS

Aseta tikkaat tukevalle alustalle.

Vain yksi henkilö kerralla saa käyttää tikkaita.

Tikkaat on asennettava valmistajan ohjeiden mukaisesti. Nouse ja laske tikkaita aina kasvat tikkaisiin päin. Varmista, että tikkaita ei voi käyttää, kun uima-allas ei ole käytössä tai lähettyvillä ei ole aikuisia.

Altaaseen ei koskaan saa sukeltaa tikkailla, altaan reunalta tai lähellä olevalla esineellä.

Tikkaat tulee asettaa altaaseen vain, kun uima-allasta valvoo aikuinen asianmukaisella tavalla.

Uima-altaan käyttäjien on pysyttävä leikkien aikana poissa tikkaiden läheisyydestä ja ultava poispuin tikkaista. Tikkaat voivat vahingoittaa uima-altaan käyttäjiä, jos niihin ei suhtauduta asianmukaisella varovaisuudella.

Tarkista tikkaiden kokoamiseen käytetyt ruuvit, paikallaan pysymiseen käytetyt kiinnikkeet, mahdolliset terävät kulmat, kielekkeet, säföt, sirut yms. ennen käyttöä.

Tarkkaile muttereita ja pidä ne poissa lasten lähettyviltä.

Tikkaat on suunniteltu pidettäväksi vedessä altaaseen laskeutumista ja sieltä nousemista varten. Älä käytä tikkaita mihinkään muuhun tarkoitukseen.

Pidä tikkaiden kaikki pienet osat poissa lasten saatavilta. Tikkaat eivät ole lelu, niitä on käytettävä varovaisesti.

Huollon laiminlyönti voi aiheuttaa vakavia terveysriskejä erityisesti lapsille.

TEKNISET TIEDOT

Maksimikuorma: 150kg.

1,22m (48") tikkaat on suunniteltu ja valmistettu käytettäväksi uima-altaissa, joiden seinämän korkeus on enintään 1,22m (48") ja seinämän leveys enintään 30cm (11,8").

1,22m (48") Bazénové schodíky Model: 58331 NÁVOD NA POUŽITIE

Pred montážou/použitím schodíkov si prečítajte pokyny.

UPOZORNENIE

Schodíky postavte na pevný podklad.

Schodíky môže používať súčasne len jedna osoba.

Schodíky je potrebné nainštalovať v súlade s pokynmi výrobcu. Pri vstupovaní do bazéna/vystupovaní z bazéna stojte vždy tvárou k schodíkom. Ak bazén nepoužívate alebo nie sú prítomné žiadne dospelé osoby, schodíky zaisťte.

Skákanie zo schodíkov, bočnej steny bazéna alebo blízko stojaceho predmetu je nepripustné.

Bazénové schodíky môžu byť používané len v prípade, že je prítomná zodpovedná dospelá osoba.

Pri kúpaní v bazéne využívajte najmä priestor mimo dostupovej zóny schodíkov. Ak schodíky nie sú vrimané ako potenciálne riziko, môžu spôsobiť vážne poranenie osôb.

Pred použitím schodíkov vždy skontrolujte montážne skrutky a poistné spóny.

Spoje pravidelne kontrolujte a nedovoľte, aby sa s nimi hrali deti.

Tieto schodíky sú určené na vstupovanie do/vystupovanie z bazéna.

Schodíky nepoužívajte na žiadne iné účely.

Malé časti schodíkov uschovajte mimo dosahu detí. Schodíky nie sú hračka, pri ich používaní dbajte na bezpečnosť.

Nedodržanie pokynov pre vykonávanie údržby môže mať za následok vážne poranenia, najmä u detí.

ŠPECIFIKÁCIA

Maximálne zaťaženie: 150kg (330lb).

1,22m (48") schodíky sú určené a vyrobené pre bazény s výškou steny maximálne 1,22m (48") a hrúbkou steny maximálne 30cm (11,8").

Drabina 1,22m do basenu Model: 58331 INSTRUKCIJA OBSŁUGI

Przed zmontowaniem/użyciem drabiny należy przeczytać wszystkie instrukcje.

OSTRZEŻENIE

Drabinę należy ustawić na stabilnym podłożu.

Z drabiny może zjechać tylko jedna osoba naraz.

Drabina musi być instalowana zgodnie z instrukcjami producenta. Osoby wchodzące do basenu lub z niego wychodzące muszą być przez cały czas zwrócone twarzą do drabiny. Jeżeli z basenu nie korzystają żadne osoby lub w pobliżu nie ma dorosłych, należy zabezpieczyć dostęp do drabiny.

Nie wolno skakać do basenu korzystając z drabiny, przegry basenu lub przedmiotów w jego pobliżu. Drabinę wolno umieszczać w basenie wyłącznie pod warunkiem, że w pobliżu znajdują się osoby dorosłe.

Użytkownicy basenu powinni pływać i bawić się z dala od drabiny. Nie wolno ignorować zagrożenia, jakim dla użytkowników basenu może być drabina.

Zawsze przed użyciem należy sprawdzać śruby i zaczepy drabiny, a także upewnić się, że na drabinie nie ma żadnych odprysków ani ostrych krawędzi.

Należy pilnować wszystkich śrub i przechowywać je w miejscu niedostępnym dla dzieci.

Drabina służy do wchodzenia do basenu i wychodzenia z niego. Nie wolno używać drabiny do żadnych innych celów.

Wszystkie drobne części drabiny należy przechowywać w miejscu niedostępnym dla dzieci. Drabina nie jest zabawką. Należy korzystać z niej ostrożnie.

Zaniebanie konserwacji może stwarzać poważne zagrożenie, w szczególności dla dzieci.

SPECYFIKACJE

Maksymalny udźwign: 150kg.

Drabina ma długość 1,22m i została zaprojektowana i wyprodukowana do użycia w basenach ze ścianami o wysokości 1,22m oraz grubości nieprzekraczającej 30cm.

1,22m-es (48") medencelétra Modell: 58331 HASZNÁLATI ÚTMUTATÓ

A létra összeszerelés és használata előtt, kérjük, olvassa el a teljes útmutatót.

FIGYELMEZTETÉS

A létrát szilárd aljzatra kell felállítani.

Egyszerre egy ember használja a létrát.

A létrát a gyártó útmutatója szerint kell összeszerelni. A medencébe való beszálláskor, illetve a medencéből való kiszálláskor mindig a létra fele nézve használja a létrát. Ha a medence nincs használatban, vagy nincs felnőtt felügyelet, biztosítsa a létrát.

Senki sem ugrálhat a medencébe a létráról, a medence pereméről vagy közeli tárgyról.

A létra csak megfelelő és aktív felnőtt felügyelet esetén helyezhető be a medencébe.

A medencét használok lehetőleg a létra területtől távol úszsának, illetve játszsának. A létra sérülést okozhat a medencét használokban, ha figyelmen kívül használják a sérülés veszélyét.

Használat előtt mindig ellenőrizze az összeszerelt létra csavarjait, tartókapcsait, illetve hogy nincsenek-e rajta szilánkos repedések vagy éles peremek.

Ellenőrizze a csavarokat, melyek gyermekek számára hozzáférhetetlen helyen tartandók.

Ez a létra a medencébe való beszállás, illetve a medencéből való kiszállás elősegítésére szolgál. Ne használja a létrát másra.

A kisméretű létraalkatrészek gyermekek számára hozzáférhetetlen helyen tartandók! A létra nem játék, használja körültekintően.

A karbantartási előírások figyelmen kívül hagyása különösen a gyermekek esetén, súlyos egészségügyi kockázatot jelenthet.

MŰSZAKI ADATOK

Maximális teherbírás: 150kg (330lbs).

A 1,22m-es (48") létra 1,22m-es (48") falgamasságú és maximum 30cm (11,8") falszélességű medencékhez lett tervezve.

1,22 m (48col.) baseino kopėčios Modelio: 58331 SAVININKO VADOVAS

Prieš surinkdami / naudodami kopėčias, perskaitykite instrukcijas.

ĮSPĖJIMAS

Pastatykite kopėčias ant tvirtu pagrindo.

Kopėčias reikia sumontuoti pagal gamintojo nurodymus. Įlipdami / išlipdami iš baseino, visada žiūrėkite į kopėčias. Kai baseinas yra tuščias arba jo neprižiūri suaugusieji, pritrivinkite kopėčias.

Draudžiama nerti nuo kopėčių, baseino krašto ar netoliese esančių daiktų. Kopėčias reikėtų įstatyti į baseiną esant tinkamai ir dėmesingai suaugusiųjų priežiūrai.

Baseino naudotojai turėtų plaukioti ir žaisti atokiau nuo kopėčių. Baseino naudotojai gali susižaloti į kopėčias, jei jos nelaikomos galimu pavojumi. Visuomet prieš naudojimą patikrinkite kopėčių konstrukcijos varžtus ir fiksatorius, apžiūrėkite, kad nebūtų atplaišų ir aštrių kampų. Patikrinkite varžtus ir laikykite juos toliau nuo vaikų.

Šias kopėčias reikia naudoti tik ilpti į baseiną ir iš jo išlipti. Nenaudokite kopėčių jokių kitu tikslu. Visas smulkias kopėčių dalis laikykite vaikams nepasiekiamoje vietoje. Kopėčios yra ne žaistas – naudokite jas atsargiai. Priežiūros nurodymų nesilaikymas gali sukelti pavojų sveikatai, ypač vaikams.

SPECIFIKACIJOS

Didžiausia apkrova: 150kg (330sv.)

1,22m (48col.) kopėčios sukurtos ir pagamintos baseinams, kurių sienelių aukštis yra 1,22m (48col.), o plotis – 30cm (11,8col.).

1,22m (48") baseina kāpnes Modelis: 58331 LIETOTĀJA ROKASGRĀMATA

Izlasiet visus norādījumus pirms kāpņu salikšanas/izņemšanas.

BRĪDINĀJUMS

Novietojiet kāpnes uz cietas pamatnes.

Kāpnes vienlaicīgi var izmantot tikai viena persona.

Kāpnes ir jāuzstāda atbilstoši ražotāja norādījumiem. Kad iekāpjat/izkāpjat no baseina, vienmēr esiet ar seju pret kāpnēm.

Nostipriniet kāpnes, kad baseins netiek izmantots vai tuvumā nav pieaugušo.

Nedrīkst lēkt no kāpnēm, baseina malas vai tuvumā esošajiem priekšmetiem.

Kāpnes drīkst ievietot baseinā tikai pienācīgi pieaugušo uzraudzībā.

Baseinā jāpeld un jāspēlējās drošā atālumā no kāpnēm. Kāpnes var radīt traumas baseina lietotājiem, ja tās neuzskata par potenciālu bīstamības avotu.

Pirms izmantošanas vienmēr pārbaudiet kāpņu savienošanas skrūves un fiksatorus, un visas asās malas.

Uzraugiet aizbīdņus un turiet tos pa gabalu no bērniem.

Kāpnes ir paredzētas, lai iekāptu/izkāptu no baseina. Neizmantojiet kāpnes nekādiem citiem mērķiem.

Turiet visas mazās kāpņu daļas bērniem nesasniedzamā vietā. Kāpnes nav rotālieta, izmantojiet tās ar piesardzību.

Apkopēs prasību ignorēšana var radīt nopietnus riskus, īpaši bērniem.

SPECIFIKĀCIJA

Maksimālās slodzes masa: 150kg (330mārciņš).

1,22m (48") kāpnes ir paredzētas un ražotas sienas augstumam 1,22m (48"), un maksimālam baseina sienas biezumam 30cm (11,8").

Bazenska lestev dolžine 1,22m (48") Model: 58331 UPORABNIŠKA NAVODILA

Pred montažo/porabo lestev v celoti preberite navodila.

OPOZORILO

Lestev postavite na trdno podlago.

Lestev naj uporabljate na ena oseba naenkrat.

Lestev namestite skladno z navodili proizvajalca. Ko vstopate v bazen ali iz njega izstopate, bodite vedno obrnjeni proti lestevi. Ko bazena ne uporabljate ali v bližini ni odraslih oseb, lestev zaščitite.

Nihče naj ne skače z lestev, s stranice bazena ali z bližnjih predmetov.

Lestev postavite v bazen le, če je zagotovljen stalni nadzor odrasle osebe.

Kopalci v bazenu naj ne plavajo in se ne igrajo v bližini lestev.

Kopalci se na lestevi lahko poškodujejo, če je ne obravnavajo kot morebitne nevarnosti.

Pred uporabo lestev vedno preverite vse montažne vijake in pritrdilne sponke, okrušene dele in morebitne ostre robove.

Nadzirajte vijake in jih shranjajte zunaj dosega otrok.

Ta lestev je namenjena za vstopanje v bazen in izstopanje iz njega. Ne uporabljajte je v druge namene.

Vse majhne delce lestev shranjajte zunaj dosega otrok. Lestev ni igrača, zato bodite pri njeni uporabi previdni.

Neupoštevanje zahtev glede vzdrževanja lahko resno ogrozi zdravje uporabnikov, zlasti otrok.

SPECIFIKACIJE

Največja obremenitev: 150kg (330lbs).

1,22m (48") dolga lestev je zasnovana in izdelana za 1,22m (48") visoke in največ 30cm (11,8") debele stene bazena.

1,22m (48") Havuz Merdiveni

Model: 58331

KULLANIM KILAVUZU

Merdiveni kurup kullanmadan önce tüm talimatları okuyun.

UYARI

Merdiveni sağlam bir zemine yerleştirin.

Merdiveni bir seferde sadece bir kişi kullanabilir.

Merdiven mutlaka üreticinin talimatlarına göre kurulmalıdır. Havuza girip çıkarken yüzünüz mutlaka merdivene doğru baksın. Havuz dolu olmadığında veya yetişkin olmadığında merdiveni sabitleyin.

Kimsenin merdiven havuza, havuz kenarına veya başka cisimlerin üzerine atmasına izin vermayın.

Merdiven sadece çocukların başında her an hazır bekleyen bir yetişkin varsa havuza yerleştirilmelidir.

Havuz kullanıcıların merdivenin bulunduğu bölgeden uzakta yüzmeli ve oynamalıdır. Hiçbir tehlike yaratmayacağı düşünülerek dikkatli olunmaması halinde merdiven havuz kullanıcılarının yaralanmalarına neden olabilir.

Kullanmadan önce merdivenin montaj vidalarını, tutma klipslerini ve keskin kenarları kontrol edin.

Cıvataları izleyerek, çocuklardan uzak tutar.

Bu merdiven yalnızca havuza girip ve çıkış için kullanılmak üzere tasarlanmıştır. Başka bir amaçla kullanmayın.

Tüm küçük merdiven parçalarını çocukların erişemeyeceği yerde saklayın. Merdiven bir oyuncak değildir, kullanırken tedbirli olun.

Bakım gerekliliklerinin göz ardı edilmesi, özellikle çocuklar için ciddi sağlık risklerine yol açabilir.

ÖZELLİKLER

Azami yük kapasitesi: 150kg (330lbs).

1,22m (48") merdiven, 1,22m (48") duvar yüksekliğine ve en fazla 30cm (11,8") duvar genişliğine sahip havuzlar için tasarlanmış ve üretilmiştir.

Scară de piscină 1,22m (48")

Model: 58331

MANUALUL UTILIZATORULUI

Citiți toate instrucțiunile înainte de asamblarea/utilizarea scării.

AVERTISMENT

Amplasați scara pe o bază solidă.

Numai o singură persoană trebuie să utilizeze scara o dată.

Scara se va instala conform instrucțiunilor producătorului. Pentru intrarea/ieșirea din piscină, stați întotdeauna cu fața spre scară. Fixați scara atunci când piscina nu este folosită sau nu există adulți.

Nicio persoană nu trebuie să încerce să sară de pe scară, părțile laterale ale piscinei sau un obiect din apropiere.

Scara trebuie amplasată în piscină numai sub supravegherea adecvată și atentă a adulților.

Utilizatorii piscinei trebuie să înoate și se să joace la distanță de scară.

Scara poate cauza acestora vătămări dacă nu este considerată un potențial pericol.

Verificați întotdeauna șuruburile de asamblare și clemele de fixare înainte utilizării.

Monitorizați șuruburile și ferii-le de copii.

Scara se va folosi doar pentru a intra și a ieși din piscină. Nu folosiți scara în niciun alt scop.

Păstrați piesele mici ale scării departe de îndemâna copiilor. Scara nu este o jucărie, a se folosi cu atenție la utilizare.

Ignorarea cerințelor de întreținere poate duce la riscuri serioase de sănătate, în special pentru copii.

SPECIFICAȚIE

Sarcină maximă: 150kg (330livre).

Scara de 1,22m (48") este destinată și fabricată pentru piscine cu pereți înalți de 1,22m (48") piscine late cu pereți de maxim 30cm (11,8").

1,22m (48") Стълба за Басейн Модел: 58331 РЪКОВОДСТВО НА ПОТРЕБИТЕЛЯ

Прочетете всички инструкции преди монтажа / използването на стълбата.

ВНИМАНИЕ

Поставете стълбата върху солидна основа.

Стълбата трябва да се използва само от един човек в даден момент.

Стълбата трябва да бъде монтирана съгласно инструкциите на производителя. При влизане/излизане от басейна, винаги заставайте обърнати с лице към стълбата. Обезопасете стълбата, когато басейнът не се използва или когато не присъства възрастно лице.

Никои не трябва никога да прави опити за гмуркане от стълбата, странично от басейна или от близки предмети. Стълбата трябва да се поставя в басейна, единствено когато съществува правилен надзор и присъствие на възрастно лице.

Потребителите на басейна трябва да плуват и да играят далеч от района на стълбата. Стълбата може да причини нараняване на потребителите, ако тя не се счита за потенциален риск.

Винаги проверявайте винтовете за сплобяване на стълбата и скобите за закрепване, за отломки или остри ръбове преди употреба.

Наблюдавайте болтовете и ги дръжте далеч от деца. Тази стълба е проектирана за да бъде употребявана в басейн за влизане / излизане. Не използвайте стълбата за никакви други цели.

Съхранявайте малките компоненти на стълбата далеч от достъпа на деца. Тази стълба не е играчка, бъдете внимателни, когато я използвате.

Неспазването на изискваната поддръжка може да доведе до сериозни рискове за здравето, особено за деца.

СПЕЦИФИКАЦИЯ

Максимално тегло на натоварване: 150kg (330lbs).

Стълбата с размер 1,22m (48") е произведена и проектирана за басейни с височина на стената 1,22m (48") и за басейни с максимална ширина на стената 30cm (11,8").

Bazenske ljestve - dužine 1,22m (48") Model: 58331 KORISNIČKI PRIRUČNIK

Pročitajte sve upute prije sklopanja / korištenja ljestvi.

UPOZORENJE

Postavite ljestve na čvrstu podlogu.

Na ljestvama istovremeno ne stajati više od jedne osobe.

Ljestve morate postaviti prema uputama proizvođača. Licem morate biti okrenuti prema ljestvama uvijek kada ulazite ili izlazite iz bazena. Osigurajte ljestve kada ne koristite bazen ili ako bazen nije pod nadzorom odrasle osobe.

Nije dozvoljeno skakati u bazen s ljestvi, strane bazena ili obližnjih predmeta.

Postavite ljestve u bazen samo onda kada je uz njih prisutna odrasla osoba koja će nadgledati bazen.

Osobe u bazenu trebaju plivati ili se igrati podalje od područja u kojem se nalaze ljestve. Osobe u bazenu trebale bi smatrati ljestve kao potencijalnu opasnost koja bi im mogla prouzročiti određene ozljede.

Uvijek provjerite stanje vijaka za sastavljanje ljestvi i kvačica za učvršćivanje te postojanost krhotine i oštrih rubova prije uporabe ljestvi.

Provjerite matice i držite ih izvan doseg a djece.

Ljestve su namijenjene za ulazanje / izlazanje iz bazena. Ne koristite ljestve u bilo koju drugu svrhu.

Držite sve manje dijelove ljestvi izvan doseg a djece. Ljestve nisu igračka i stoga budite oprezni prilikom njihove uporabe. Nepravilno održavanje ljestvi može prouzročiti nastanak ozbiljnih opasnosti po zdravlje, a posebice za djecu.

ZNAČAJKE

Najveća nosivost ljestvi: 150kg (330lbs).

Ljestve dužine 1,22m (48") osmišljene su i namijenjene za bazene čije su bočne stjenke visoke 1,22m (48") maksimalno široke 30cm (11,8").

1,22m (48") Basseini redel
Mudel: 58331
KASUTUSJUHEND

Lugege enne kasutamist kõik juhised hoolikalt läbi.

HOIATUS

Paigutage redel tugevale alusele.

Redelli võib viibida ainult üks inimene korraga.

Redel tuleb paigaldada vastavalt tootja juhistele. Redelile / basseini mineku ajal olge kogu aeg nõoga redeli poole. Kui basseini ei kasutata või see pole täiskasvanu järelevalve all, tuleb redel turvata.

Redelile ega selle tagant või ei tohi läheduses sukelduda.

Redel tuleb basseini paigaldada ainult täiskasvanu järelevalve ja tähelepanu all.

Basseini kasutajad ei tohi ujuda ja mängida redeli läheduses.

Redel võib basseini kasutajatele tekitada viigastusi, kui seda ei võeta arvesse, siis on see võimalik ohuallikas.

Enne redeli kasutusele võtmist kontrollige üle poldid, kinnitid, metallikid ja muud teravad kohad.

Vaadake poldid üle ja hoidke lapsed neist eemal.

See redel on ette nähtud kasutamiseks basseini sisenemisel ja sellest väljumisel. Ärge kasutage redelit ühekski muuks otstarbeks.

Hoidke redeli väikeosad lastele kättesaamatus kohas. Redel ei ole mänuqasi, olge selle kasutamisel ettevaatlik.

Juhiste eiramine võib põhjustada raskeid tervisriske, eriti lastele.

TEHNILISED ANDMED

Maksimaalne kandevõime: 150kg (330lbs).

Redel pikkusega 1,22m (48") on ette nähtud ja toodetud basseini seina kõrgusega 1,22m (48") basseiniulemax 30cm (11,8").

1,22m (48") Ljestve za bazen
Model: 58331
UPUTSTVO ZA UPOTREBU

Pročitajte uputstvo pre sastavljanja / korištenja ljestvi.

UPOZORENJE

Postavite ljestve na tvrdi podlogu.

Jedna osoba može biti na ljestvama u određenom trenutku.

Ljestve trebaju biti postavljene po uputstvu proizvođača. Za ulazak / izlazak iz bazena, budite uvek licem okrenuti ka ljestvama. Izgurajte ljestve kad nema nikog u bazenu ili kad nema odraslih osoba.

Nijedna osoba ne bi nikad trebala skakati u vodu sa ljestvi, bazena ili obližnjeg predmeta.

Ljestve trebaju biti postavljene u bazen kada je bazen pod adekvatnim, pažljivim nadzorom.

Korisnici bazena trebaju plivati i igrati se dalje od područja ljestvi.

Ljestve mogu prouzrokovati povrede korisnika bazena ako nisu tretirane kao moguća opasnost.

Uvek proverite zavrtnje od ljestvi i zaštitne spojnice pre upotrebe, ima li krhovina ili oštrih rubova pre upotrebe.

Nadzirite klinove i držite ih van domašaja dece.

Ove ljestve su dizajnirane za upotrebu u bazenu za ulazak / izlazak. Ne koristite ljestve u bilo koje druge svrhe.

Čuvajte sve male delove ljestvi van domašaja dece. Ljestve nisu igračka, budite oprezni kada ih koristite.

Nepridržavanje smernica za održavanje može rezultirati ozbiljnim zdravstvenim rizicima, posebno za decu.

SPECIFIKACIJE

Maksimalna nosivost: 150kg (330lbs).

Ljestve od 1,22m (48") su dizajnirane i proizvedene za bazene visine zidova 1,22m (48") i maksimalno 30cm (11,8") širine zidova bazena.

سلم حمام السباحة مقاس 1.22م (48")
موديل: دليل المالك 58331

اقرأ جميع التعليمات قبل تجميع/استخدام السلم.

تحذير

ضع السلم على قاعدة صلبة.

يجب أن يستخدم السلم شخص واحد فقط في المرة الواحدة.

يجب تركيب السلم وفقاً لتعليمات الشركة المصنعة. للدخول/الخروج من حمام السباحة، اجعل وجهك للسلم في جميع الأوقات. قم بتأمين السلم عندما يكون حمام السباحة خالياً من الأشخاص أو الكبار. لا يجب أن يحاول أي شخص الغوص من السلم أو من جانب حمام السباحة أو بالقرب من الأشياء.

يجب أن يوضع السلم فقط في حمام السباحة عندما يتوفر الإشراف المناسب من شخص بالغ أو واثق.

يجب على مستخدمي حمام السباحة العموم واللعب بعيداً عن منطقة السلم. قد يسبب السلم إصابات لمستخدمين حمام السباحة إذا لم يُنظر إليه كمصدر محتمل للخطر.

قم دائماً بفحص مسامير تجميع السلم ومشابك الحجز والشظايا أو أي حواف حادة قبل استخدامه.

راقب المسامير، وأبعد الأطفال عنها.

هذا السلم مصمم ليستخدم من أجل الدخول إلى/الخروج من حمام السباحة. لا تستخدم السلم لأي غرض آخر.

تحفظ جميع أجزاء السلم الصغيرة بعيداً عن متناول الأطفال. إن هذا السلم ليس مُعدة للعب، استخدمه بحذر.




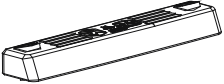

قد يؤدي تجاهل متطلبات الصيانة إلى حدوث مخاطر صحية خطيرة خاصة على الأطفال.

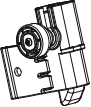




المواصفات:


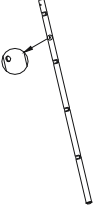

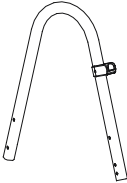
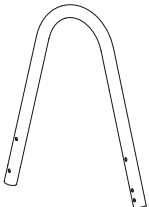
وزن الحمولة القصوى: 150كجم (330 رطل).

صُمم السلم الذي مقاسه 1.22م (48") وصنّع لحمام سباحة بحداد ارتفاعه الأقصى يبلغ

1.22م (48") ويعرض يبلغ 30 سم (11.8").

	1 	2 	3 	4 	5 
	x 9	x6	x2	x8	x16
58331	P61194	P62106	P04130	P6H1159	P6H1166

	6 	7 	8 	9 	10 
	x1	x1	x2	x1	x1
58331	P62085	P04131	P62087	P04132	P04133

	11 	12A 	12B 	13A 	13B 
	x2	x1	x1	x1	x1
58331	P04134	P04135	P04136	P04137	P04138

ASSEMBLY

Note: Ladder assembly requires a crosshead screwdriver or an adjustable wrench.

Note: Drawings for illustration purpose only. May not reflect actual product. Not to scale.

MONTAGE

Remarque : le montage de l'échelle nécessite un tournevis cruciforme ou une clé à mâchoires mobiles.

Remarque : les dessins ne sont qu'à titre d'illustration. Il peut arriver qu'ils ne reflètent pas le produit réel. Pas à l'échelle.

MONTAGE

Hinweis: Für die Montage der Leiter ist ein Kreuzschlitz-Schraubendreher oder ein verstellbarer Schraubenschlüssel erforderlich.

Hinweis: Die Zeichnungen dienen lediglich Illustrationszwecken. Möglicherweise ist nicht das vorliegende Produkt dargestellt. Nicht maßstabsgetreu.

MONTAGGIO

Nota: Per montare la scaletta occorre un cacciavite a croce o una chiave regolabile.

Nota: I disegni sono riportati solo a scopo illustrativo e potrebbero essere diversi dal prodotto. I disegni non sono in scala.

MONTAGE

Opmerking: Voor de montage van de ladder heeft men een kruiskopschroevendraaier of een instelbare moersleutel nodig.

Opmerking: Tekeningen enkel voor illustratiedoeleinden. Mogelijk geen weerspiegeling van het werkelijke product. Niet op schaal.

SESTAVENÍ

Poznámka: Sestavení schůdků vyžaduje křížový šroubovák nebo francouzský klíč.

Poznámka: Vybrazení mají pouze ilustrační charakter. Nemusí zobrazovat daný produkt. Bez měřítka.

MONTERING

Merk: Monterung av stigenkrever en stjerneskruttrekker eller en skiftenøkkel.

Merk: Tegningene er kun for illustrasjonsformål. De gjenspeiler kanskje ikke det faktiske produktet. Ikke etter skala.

MONTERING

Obs! Monterung av stegen kräver en kryssmejsel eller en skiftnyckel.

Obs! Ritningarna är endast i illustrerande syfte. Kan möjlige inte reflektera den faktiska produkten. Inte skalenlig.

ASENNUS

Huomaa: Tikkaiden kokoamiseen tarvitaan ristipääruuvimeisseli tai säädettävä jokoavain.

Huomaa: Piirustukset vain viitteeksi. Eivät välttämättä vastaa todellista tuotetta. Eivät ole mittakaavassa.

MONTÁŽ

Poznámka: Montáž schodíkov vyžaduje použitie křížového škrutkovača alebo francúzskeho kľúča.

Poznámka: Obrázky slúžia len na ilustračné účely. Môžu sa od vášho výrobku odlišovať. Nie sú vyobrazené v mierke.

MONTAŻ

Uwaga: Do zmontowania drabiny potrzebny jest śrubokręt krzyżakowy lub klucz nastawny.

Uwaga: Rysunki zostały zamieszczone wyłącznie w celach poglądowych. Mogą nie odzwierciedlać rzeczywistego wyglądu produktu i nie są wykonane w skali.

ÖSSZESZERELÉS

Megjegyzés: A létra összeszereléséhez egy csillagfejű csavarhúzóra vagy franciaskulcsra van szükség.

Megjegyzés: Az ábrák csak illusztrációként szolgálnak. Az ábrák nem feltétlenül a vonatkozó terméket mutatják. Az ábrák nem méretarányosak.

SALIKŠANA

Piezīme: Kāpinu salikšanai nepieciešams krustņirskrūvgriezis vai pielāgojama uzgrīznātslēga.

Piezīme: Zīmējumi izmantoti tikai ilustratīvos nolūkos. Var neatbilst precīzai faktiskai ražojuma. Neatbilst mērogam.

MONTAVIMAS

Pastaba. Kopėčioms surinkti reikia kryžminio atsuktuvo arba reguliuojamo veržliarakičio.

Pastaba. Brėžiniai pateikiami tik kaip pavyzdys. Jie gali neatitikti faktinio gaminio. Neatitinka realaus mastelio.

MONTAJE

Nota: El montaje de la escalera requiere un destornillador de estrella o una llave inglesa ajustable.

Nota: Los dibujos sirven solo como ejemplo. Puede que no se correspondan con el producto real. No a escala.

SAMLING

Bemærk: Til samling af stigen skal bruges en stjerneskruttrækker eller en skiftenøgle.

Bemærk: Tegningerne er udelukkende til illustrationsbrug. De gengiver måske ikke det aktuelle produkt. Illustrationener ikke måltro.

MONTAGEM

Nota: A montagem da escada requer uma chave de parafusos de estrela ou uma chave ajustável.

Nota: Desenhos apenas para fins ilustrativos. Podem não refletir o produto real. Não está à escala.

ΣΥΝΑΡΜΟΛΟΓΗΣΗ

ΣΗΜΕΙΩΣΗ: Η ΣΥΝΑΡΜΟΛΟΓΗΣΗ ΤΗΣ ΣΚΑΛΑΣ ΑΠΑΙΤΕΙ ΕΝΑ ΣΤΑΥΡΟΚΑΤΣΑΒΙΔΟ Η ΕΝΑ ΓΑΛΛΙΚΟ ΚΛΕΙΔΙ.

ΣΗΜΕΙΩΣΗ: ΤΑ ΣΧΕΔΙΑ ΕΙΝΑΙ ΜΟΝΟ ΓΙΑ ΙΛΛΟΥΣΤΡΑΤΙΒΟΝ ΑΠΕΙΚΟΝΙΣΗΝ. ΜΠΟΡΕΙ ΝΑ ΜΗΝ ΑΝΤΑΠΟΚΡΙΝΟΝΤΑΙ ΣΤΟ ΠΡΑΓΜΑΤΙΚΟ ΠΡΟΪΟΝ. ΔΕΝ ΕΙΝΑΙ ΥΠΟ ΚΛΙΜΑΚΑ.

СБОРКА

Примечание: Для сборки лестницы необходима крестовая отвертка или регулируемый гаечный ключ.

Примечание: Схемы предназначены исключительно для целей иллюстрации. Они могут не отображать конкретное изделие. Схемы не отображают действительный масштаб.

SESTAVA

Opomba: Za sestavo lestve potrebujete križni izvijač ali francoski ključ.

Opomba: Slike so simbolične in ne predstavljajo vedno dejanskega izdelka. Slike niso v naravni velikosti.

KURULUM

Not: Merdivin kurulumu için yıldız tornavida veya ayarlanabilir bir anahtar kullanılması gerekmektedir.

Not: Çizimler yalnızca gösterim amaçlıdır. Gerçek ürünü tam olarak yansıtmayabilirler. Gerçeğine uygun değil.

INSTALARE

Nota: Instalarea scării necesită o șurubelniță în stea sau o cheie franceză ajustabilă.

Nota: Desenele sunt strict în scop ilustrativ. Acestea pot să nu reflecte produsul actual. Nu sunt la scară.

СГЛОБЯВАНЕ

Забелѝжка: Сглобяването на стълбата изисква отвертка-кръстачка или регулируем гаечен ключ.

Забелѝжка: Изображения, единствено с илюстративна цел. Може да не отразяват действителния продукт. Не са в скала.

SASTAVLJANJE

Napomena: Upotrijebite križni odvijač ili francuski ključ za sastavljanje ljestvi.

Napomena: Ovi crteži služe samo za ilustraciju. Oni ne odražavaju stvarni izgled proizvoda. Prikazani proizvod na slikama nije u stvarnoj veličini.

KOKKUPANEN

Märkus. Redeli kokkupanekuks on vaja ristpeaga kruvikeerajat ja reguleeritavat mutrivõtit.

Märkus. Esitatud joonised on vaid näitlikustamiseks. Need ei pruugi vastata konkreetsetele tootele. Joonised ei ole mõõtkavas.

SASTAVLJANJE

Napomena: Za sastavljanje ljestvi potreban je krstasti odvijač ili pedesivi ključ.

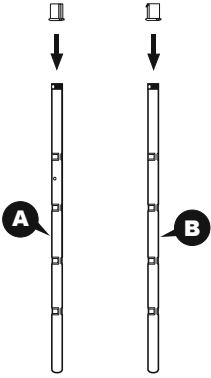
Napomena: Crteži su samo za ilustraciju. Moguće je da ne predstavljaju stvarni proizvod. Nisu srazmerni.

التجميع

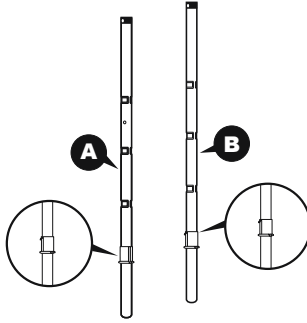
ملاحظة: يتطلب تجميع السلم منك برأس صليبية أو مفتاح قابل للتعديل.

ملاحظة: الرسومات لغرض التوضيح فقط. وقد لا تعبر عن المنتج الفعلي. وليست مرسومة بمقياس رسم.

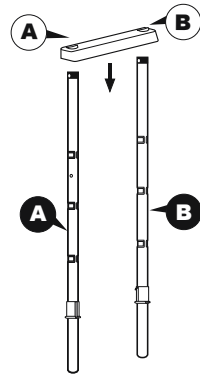
1



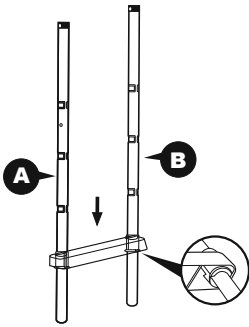
2



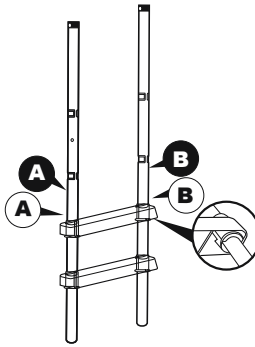
3



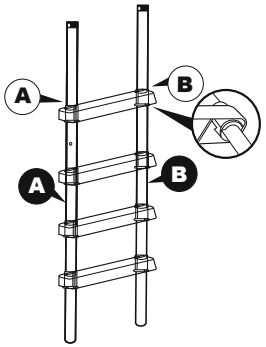
4



5



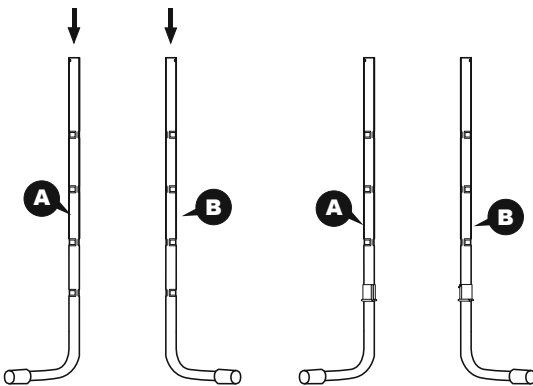
6



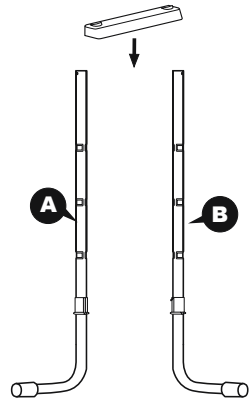
7



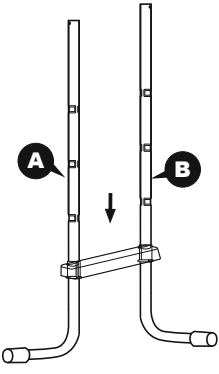
8



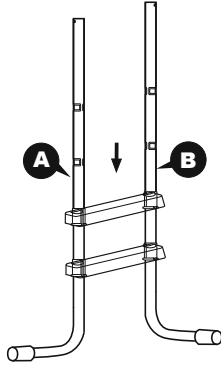
9



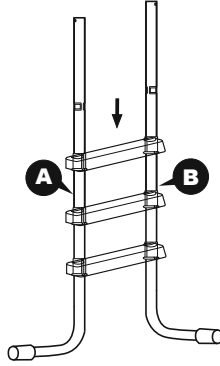
10



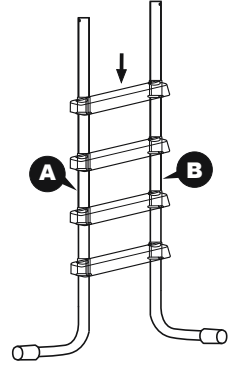
11



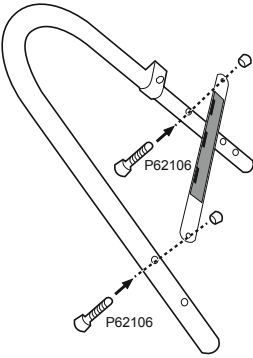
12



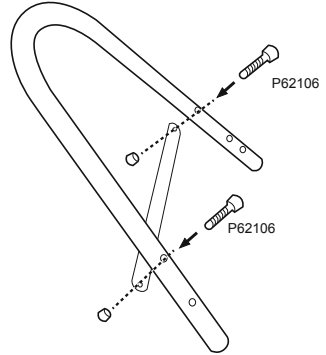
13



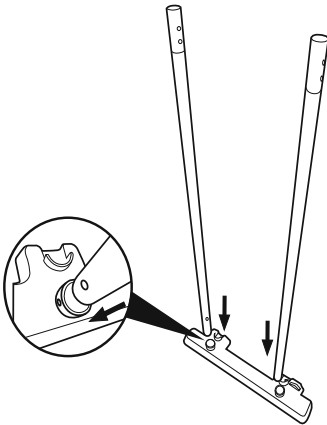
14



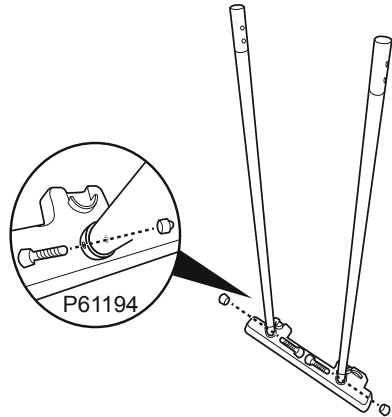
15



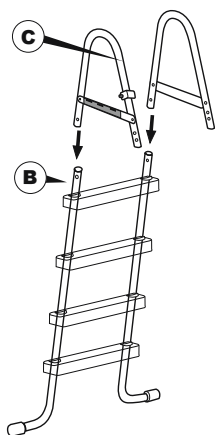
16



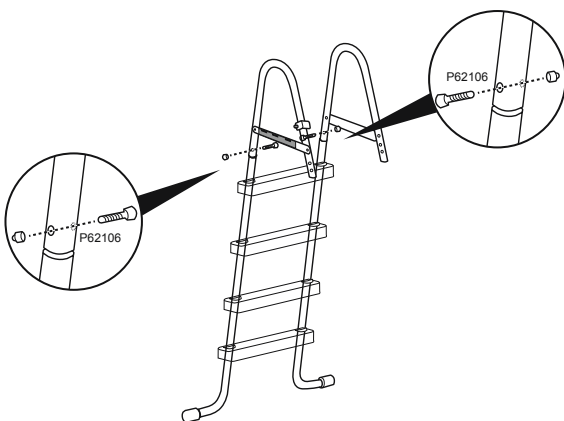
17



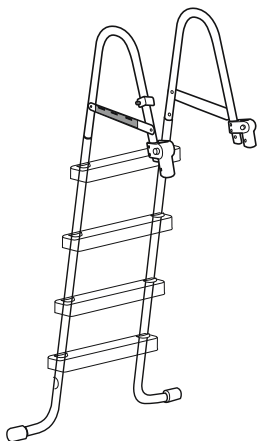
18



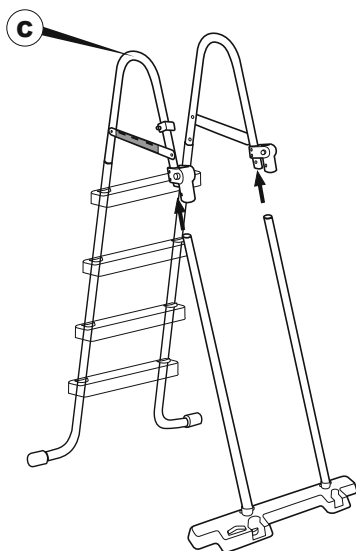
19



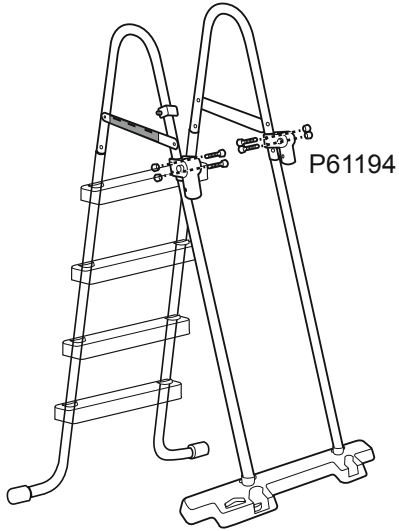
20



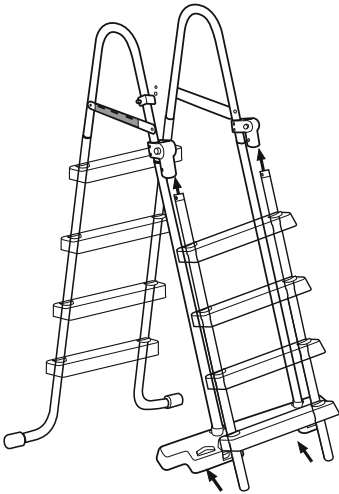
21



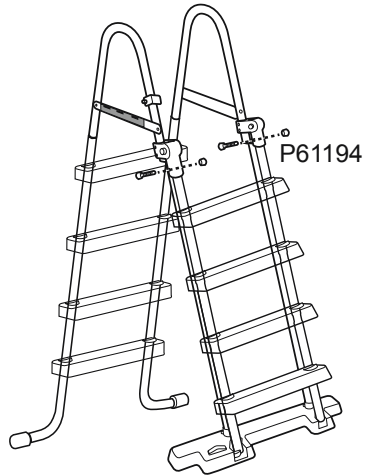
22



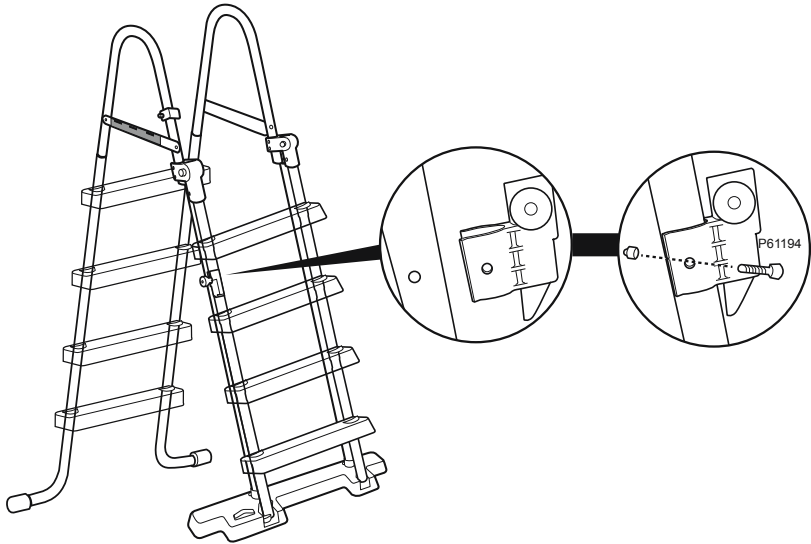
23



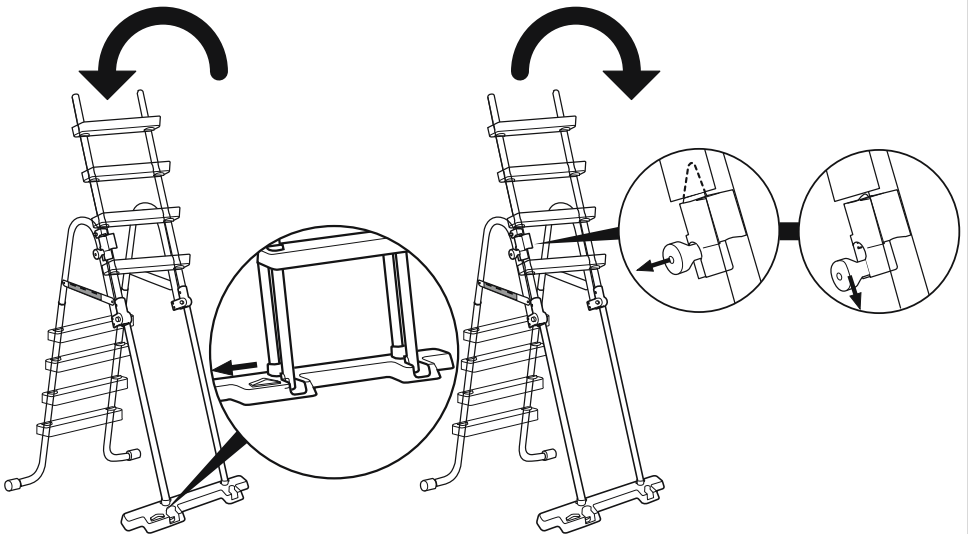
24



25



26



Note: This ladder is designed to prevent children from entering the pool when unsupervised by an adult.

Warning: This is not a replacement for competent adult supervision.

Remarque : Cette échelle est conçue pour éviter que les enfants entrent dans la piscine quand ils ne sont pas surveillés par un adulte.

Attention : Cela ne remplace pas la surveillance d'un adulte apte à cela.

Hinweis: Diese Leiter wurde entwickelt, um zu verhindern, dass Kinder ohne Beaufsichtigung durch einen Erwachsenen in den Pool gelangen.

Warnung: Dies ist kein Ersatz für eine kompetente Beaufsichtigung durch Erwachsene.

Nota: Questa scaletta è stata progettata per impedire ai bambini l'ingresso nella piscina senza la supervisione di un adulto.

Avvertenza: È sempre necessaria la supervisione di un adulto.

Opmerking: Deze ladder is ontworpen om te voorkomen dat kinderen het zwembad ingaan zonder dat ze onder toezicht van een volwassene staan.

Waarschuwing: Dit is geen vervanging voor competent toezicht door volwassenen.

Nota: Esta escalera ha sido diseñada para evitar que los niños entren en la piscina sin la supervisión de un adulto.

Advertencia: Este producto no reemplaza la supervisión competente de un adulto.

Bemærk: Denne stige er designet, så den forhindrer børn i at kravle op i bassinet uden opsyn af en voksen.

Advarsel: Dette træder ikke i stedet for kompetent voksenopsyn.

Nota: Esta escada foi concebida para evitar que as crianças entrem na piscina sem serem supervisionadas por um adulto.

Aviso: Este artigo não é um substituto da supervisão competente por adultos.

ΣΗΜΕΙΩΣΗ: Η ΣΚΑΛΑ ΑΥΤΗ ΕΧΕΙ ΣΧΕΔΙΑΣΤΕΙ ΓΙΑ ΝΑ ΑΠΟΤΡΕΠΕΙ ΤΗΝ ΕΙΣΟΔΟ ΠΑΙΔΙΩΝ ΣΤΗΝ ΠΙΣΙΝΑ ΧΩΡΙΣ ΕΠΙΒΛΕΨΗ ΑΠΟ ΕΝΗΛΙΚΑ.

ΠΡΟΕΙΔΟΠΟΙΗΣΗ: ΔΕΝ ΑΠΟΤΕΛΕΙ ΑΝΤΙΚΑΤΑΣΤΑΣΗ ΤΗΣ ΥΠΕΥΘΥΝΗΣ ΕΠΙΒΛΕΨΗΣ ΑΠΟ ΕΝΗΛΙΚΑ.

Примечание: Эта лестница сконструирована так, чтобы воспрепятствовать проникновению детей в бассейн без присмотра взрослых.

Предупреждение: Особая конструкция этой лестницы не исключает необходимости наблюдения со стороны взрослых.

Poznámka: Tyto schůdky nesmí děti používat ke vstupu do bazénu, pokud nejsou pod dohledem dospělé osoby.

Varování: Nejedná se o náhradu kompetentního dozoru dospělé osoby.

Merk: Denne stigen er konstruert slik at den skal forhindre at barn kan klatre opp i bassenget uten

hjelp fra en voksen.

Advarsel: Dette er ikke en erstatning for et voksent ansvar.

Note: Denna stega är designad för att hindra barn att gå i poolen när tillsyn av vuxen saknas.

Varning: Detta är ej avsett att ersätta kompetent vuxens tillsyn.

Huomaa: Tikkaiden tarkoitus on estää lapsia pääsemästä altaaseen silloin, kun allas ei ole aikuisten valvonnassa.

Varoitus: Tämä ei korvaa pätevän aikuisen valvontaa.

Poznámka: Tento rebrík má zabrániť deťom, aby vstúpili do bazéna bez dozoru dospelého.

Výstraha: Nejedná sa o náhradu riadneho dozoru dospeléj osoby.

Uwaga: Ta drabina została zaprojektowana z myślą o uniemożliwieniu dostępu do basenu dzieciom znajdującym się poza nadzorem dorosłych.

Ostrzeżenie: Nie zastępuje to nadzoru kompetentnej osoby dorosłej.

Megjegyzés: Ez a létra úgy lett tervezve, hogy képes legyen megakadályozni a felnőtt felügyelet nélküli gyerekek medencébe való beszállását.

Figyelmeztetés: A termék nem helyettesíti a megfelelő felnőtt által biztosított felügyeletet.

Piezīme: Šīs kāpnēs ir izveidotas, lai novērstu to, ka bērni iekļūst baseinā bez pieaugušo uzraudzības.

Bridinājums: Tas neaizstāj pieaugušo uzraudzību.

Pastaba: Šios kopėcios sukurtos taip, kad vaikai nepatektų į baseiną neprižiūrimi suaugusiojo.

Įspėjimas: Ąrenginys negali pakeisti kompetentingo suaugusiojo priežiūros.

Opomba: Lestev je zasnovana za to, da onemogoča vstop otrok v bazen brez nadzora odrasle osebe.

Opozorilo: To ni nadomestilo za ustrezní nadzor s strani odrasle osebe.

Not: Bu merdiven, bařında yetiřkin bir kiři olmayan bir gocuđun havuza girmesini önleyecek biçimde tasarlanmıřtır.

Uyarı: Bu, yetiřkin gözetimi gerekliliđini ortadan kaldırmaz.

Nota: Această scară este concepută pentru a preveni intrarea copiilor care nu sunt supravegheați de un adult în piscină.

Avertisment: Această nu reprezintă un substitut pentru supravegherea competentă a adulților.

Забелешка: Тази стълба е предназначена да предотврати влизането на деца в басейна, които не са под надзор на възрастно лице.

Предупреждение: Това не е заместител на компетентния надзор от възрастен човек.

Napomena: Ove ljestve su osmišljene da spriječe ulazak djece u bazen koji nije pod nadzorom odrasle osobe.

Upozorenje: Ovaj proizvod ne smije zamijeniti neposredni nadzor odrasle osobe.

Märkus. See redel on ette nähtud laste basseini sisenemise tõkestamiseks, sel ajal kui pole täiskasvanute järelevalvet.

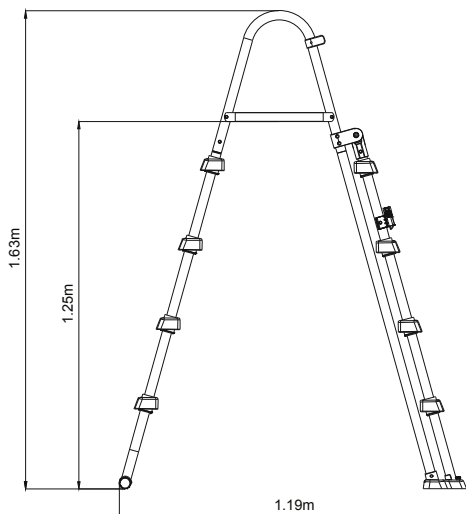
Hoiatus. See ei asenda järelevalvet täiskasvanute poolt.

Napomena: Ove ljestve su dizajnirane da spreče decu da ulaze u bazen nenadziran od strane odrasle osobe.

Upozorenje: Ovo nije zamena za nadzor odrasle osobe.

ملاحظة: هذا السلم مصمم لمنع الأطفال من دخول حمام السباحة بلا إشراف من الكبار.
تحذير: هذا ليس بديلاً عن إشراف الشخص البالغ.

Overall dimension/ Dimension totale/ Gesamtabmessungen/ Dimensioni complessive/ Algemene afmeting/ Dimensiones totales/ Ydermål/ Dimensões gerais/ ΣΥΝΟΛΙΚΕΣ ΔΙΑΣΤΑΣΕΙΣ/ Общие размеры/ Celkové rozměry/ Totale mål/ Størlek, totalt/ Kokonaismitat/ Celkové rozmery/ Całkowite wymiary/ Külső befoglaló méret/ Kopëjje izmëri/ Bendrieji matmenys/ Skupne mere/ Genel boyutlar/ Dimensiune totală/ Габаритен размер/ Ukupna veličina/ Gabariitmõõtmed/ Ukupne dimenzije/ الأبعاد الكلية



Maintenance and Storage

1. Always remember to check ladder before each use, change screws and retention clips if there is any rust.
2. Make sure the ladder is clean and dry before storing.
3. Keep out of children's reach.

Winterization

We strongly recommend the pool ladder is removed from the swimming pool during the off season (winter months).

Carefully disassemble all the components and dry thoroughly. Store in a dry location out of children's reach.

Please read carefully and keep for future reference.

-EN 16582.

For information concerning product questions, please visit our website at:
www.bestwaycorp.com

Entretien et rangement

1. N'oubliez jamais de contrôler l'échelle avant chaque utilisation, de changer les vis et les fixations si elles présentent des traces de rouille.
2. Vérifiez que l'échelle soit propre et sèche avant de la ranger.
3. Conservez-la hors de portée des enfants.

Remisage

Nous recommandons vivement d'enlever l'échelle de la piscine hors saison (pendant l'hiver).

Démontez soigneusement tous les composants et séchez-les bien. Rangez-les au sec, hors de portée des enfants.

Veillez lire attentivement ce document et pour pouvoir le consulter en cas de besoin.

-EN16582.

Pour plus d'informations sur le produit, veuillez visiter notre site web :
www.bestwaycorp.com

Wartung und Lagerung

1. Vergessen Sie nicht, die Leiter vor jeder Benutzung zu überprüfen. Tauschen Sie Schrauben und Halteklammern aus, sobald sich Rost bildet.
2. Stellen Sie sicher, dass das Produkt sauber und trocken ist, bevor Sie es einlagern.
3. Außerhalb der Reichweite von Kindern aufbewahren.

Winterfest machen

Wir empfehlen dringend, die Pooleiter außerhalb der Badesaison (während der Wintermonate) aus dem Swimmingpool zu entfernen.

Demontieren und trocknen Sie sorgfältig sämtliche Komponenten. Lagern Sie diese an einem trockenen Ort außerhalb der Reichweite von Kindern.

Bitte sorgfältig lesen und als künftige Referenz

aufbewahren.

-EN 16582.

Weitere Informationen bei Fragen zum Produkt finden Sie auf unserer Website unter:
www.bestwaycorp.com

Manutenzione e conservazione

1. Controllare sempre la scaletta prima dell'uso; in presenza di ruggine, sostituire le viti e i morsetti di tenuta.
2. Pulire la scaletta prima di riporla.
3. Tenere fuori dalla portata dei bambini.

Preparazione per la stagione invernale

Si consiglia vivamente di rimuovere la scaletta dalla piscina durante la bassa stagione (mesi invernali).

Smontare con attenzione tutti i componenti e asciugare con cura. Conservare in un luogo asciutto e fuori dalla portata dei bambini.

Leggere attentamente e conservare per futuri riferimenti.

-EN 16582.

Per informazioni sulla relative a domande sul prodotto, visitare il sito Web:
www.bestwaycorp.com

Onderhoud en opberging

1. Vergeet niet de ladder te controleren voor elk gebruik en de schroeven en retentieklips te vervangen als er roest aanwezig is.
2. Zorg ervoor dat de ladder volledig droog is voor u ze wegbergt.
3. Houd buiten het bereik van kinderen.

Klaarmaken voor de winter

We bevelen ten zeerste aan de zwembadladder uit het zwembad te verwijderen tijdens de wintermaanden.

Demonteer voorzichtig alle onderdelen en droog ze grondig.

Berg op in een droge plaats en buiten het bereik van kinderen.

Zorgvuldig lezen en bewaren voor toekomstige referentie.

-EN 16582.

Voor informatie betreffende productvragen, ga naar onze website op:
www.bestwaycorp.com

Limpeza y almacenamiento

1. Recuerde comprobar la escalera antes de cada uso, cambie los tornillos y los clips de retención si hubiera cualquier resto de óxido.
2. Asegúrese de que la escalera esté completamente limpia y seca antes de guardarla.
3. Guárdela fuera del alcance de los niños.

Preparación para el invierno

Recomendamos encarecidamente quitar la escalera de la piscina durante los meses de invierno.

Desmonte con cuidado todos los componentes y séquelos minuciosamente. Guárdelos en un lugar seco y fuera del alcance de los niños.

Lea atentamente y guarde este documento para futuras consultas.
-EN 16582.

Para obtener información sobre cualquier duda sobre el producto, visite nuestro sitio web en:
www.bestwaycorp.com

Vedligeholdelse og opbevaring

1. Husk altid at efterse stigen før hver brug. Udskift skruer og holdeclips, hvis der er rust på dem.
2. Kontroller, at stigen er ren og tør før opbevaring.
3. Hold den uden for børns rækkevidde.

Vintropbevaring

Vi anbefaler stærkt at bassinstigen tages af svømmebassinet uden for badesæsonen (vintermånederne).
Adskil omhyggeligt alle komponenterne og aftør dem grundigt. Opbevar den på et tørt sted uden for børns rækkevidde.

Læs vejledningen omhyggeligt, og opbevar den til fremtidig brug.
-EN 16582.

For oplysninger vedrørende produktspørgsmålet henviser vi til vores hjemmeside på:
www.bestwaycorp.com

Manutenção e Armazenagem

1. Lembre-se sempre de verificar a escada antes da utilização, troque os parafusos e os clips de retenção caso apresentem ferrugem.
2. Certifique-se se a escada está limpa e seca antes de a armazenar.
3. Mantenha afastado do alcance das crianças.

Protecção de inverno

Recomendamos fortemente que a escada de piscina seja removida da piscina fora da estação (meses de inverno).
Desmonte cuidadosamente todos os componentes e seque cuidadosamente. Armazene num local seco fora do alcance de crianças.

Por favor leia cuidadosamente e guarde para referência futura.
-EN 16582.

Para informações sobre o produto, por favor visite o nosso website em:
www.bestwaycorp.com

ΣΥΝΤΗΡΗΣΗ ΚΑΙ ΑΠΟΘΗΚΕΥΣΗ

1. ΠΑΝΤΑ ΝΑ ΘΥΜΑΣΤΕ ΝΑ ΕΛΕΓΧΕΤΕ ΤΗ ΣΚΑΛΑ ΠΡΙΝ ΑΠΟ ΚΑΘΕ ΧΡΗΣΗ, ΑΛΛΑΞΤΕ ΤΙΣ ΒΙΔΕΣ ΚΑΙ ΤΑ ΚΛΙΠ ΣΥΓΚΡΑΤΗΣΗΣ ΕΑΝ ΥΠΑΡΧΕΙ ΟΠΟΙΟΔΗΠΟΤΕ ΣΚΟΥΡΙΑ.
2. ΒΕΒΑΙΩΘΕΙΤΕ ΟΤΙ Η ΣΚΑΛΑ ΕΙΝΑΙ ΚΑΘΑΡΗ ΚΑΙ ΣΤΕΓΝΗ ΠΡΙΝ ΑΠΟ ΤΗΝ ΑΠΟΘΗΚΕΥΣΗ.
3. ΚΡΑΤΗΣΤΕ ΜΑΚΡΙΑ ΑΠΟ ΠΑΙΔΙΑ.

ΓΙΑ ΤΟ ΧΕΙΜΩΝΑ

ΣΑΣ ΣΥΝΙΣΤΟΥΜΕ Η ΣΚΑΛΑ ΤΗΣ ΠΙΣΙΝΑΣ ΝΑ ΑΦΑΙΡΕΙΤΑΙ ΑΠΟ ΤΗΝ ΠΙΣΙΝΑ ΚΑΤΑ ΤΗ ΔΙΑΡΚΕΙΑ ΤΗΣ ΕΚΤΟΣ ΧΡΗΣΗΣ ΠΕΡΙΟΔΟΥ (ΧΕΙΜΕΡΙΝΟΙ ΜΗΝΕΣ).
ΑΠΟΣΥΝΑΡΜΟΛΟΓΗΣΤΕ ΠΡΟΣΕΚΤΙΚΑ ΟΛΑ ΤΑ

ΕΞΑΡΤΗΜΑΤΑ ΚΑΙ ΣΤΕΓΝΩΣΤΕ ΤΑ ΚΑΛΑ. ΑΠΟΘΗΚΕΥΣΤΕ ΣΕ ΞΗΡΟ ΧΩΡΟ ΜΑΚΡΙΑ ΑΠΟ ΠΑΙΔΙΑ.

ΠΑΡΑΚΑΛΟΥΜΕ ΔΙΑΒΑΣΤΕ ΠΡΟΣΕΚΤΙΚΑ ΚΑΙ ΦΥΛΑΞΤΕ ΓΙΑ ΜΕΛΛΟΝΤΙΚΗ ΑΝΑΦΟΡΑ.

- EN 16582.

ΓΙΑ ΠΛΗΡΟΦΟΡΙΕΣ ΣΧΕΤΙΚΑ ΜΕ ΕΡΩΤΗΣΕΙΣ ΓΙΑ ΤΟ ΠΡΟΪΟΝ, ΠΑΡΑΚΑΛΟΥΜΕ ΕΠΙΣΚΕΦΘΕΙΤΕ ΤΗΝ ΙΣΤΟΣΕΛΙΔΑ ΜΑΣ ΣΤΗ ΔΙΕΥΘΥΝΣΗ:
www.bestwaycorp.com

Обслуживание и хранение

1. Всегда помните о том, что перед использованием необходимо проверить состояние лестницы и заменить болты и удерживающие кронштейны, если они заржавели.
2. Перед тем, как убрать лестницу на хранение, убедитесь в том, что она чистая и сухая.
3. Хранить в месте, недоступном для детей.

Подготовка к зиме

Вне сезона (в зимние месяцы) настоятельно рекомендуется убрать лестницу из бассейна.
Осторожно разберите лестницу и тщательно высушите все ее части. Храните в сухом месте, недоступном для детей.

Внимательно изучите инструкции и сохраните их для дальнейшего использования в справочных целях.

По всем вопросам, касающимся изделия, просим посетить наш веб-сайт:
www.bestwaycorp.com

Údržba a skladování

1. Před každým použitím schůdky zkontrolujte a při výskytu rzi vyměňte šrouby a příchytné klipy.
2. Před uskladněním se ujistěte, že schůdky jsou čisté a suché.
3. Uchovávejte mimo dosah dětí.

Zazimování

Důrazně doporučujeme v období mimo sezónu (v zimních měsících) demontovat schůdky z bazénu.
Opatrně demontujte všechny součásti a důkladně je osušte. Uložte na suché místo mimo dosah dětí.

Pečlivě přečtěte a uchovejte pro budoucí nahlížení.

-EN 16582

Pro informace o produktu navštivte naši webovou stránku na adrese:
www.bestwaycorp.com.

Vedlikehold og oppbevaring

1. Husk alltid å sjekke stigen før hver bruk, og skift skruer og holdesklemmer hvis det finnes rust.
2. Sjekk at stigen er ren og tørr før lagring.
3. Oppbevares utenfor barns rekkevidde.

Vinterlagring

Vi anbefaler sterkt at bassengstigen blir fjernet fra svømmebas

senget gjennom vintersesongen.

Demonter forsiktig alle delene, og tørk dem grundig. Lagres tørt og utenfor barns rekkevidde.

Les nøye gjennom dette dokumentet og ta vare på det for fremtidig referanse.

-EN 16582

For informasjon angående produktspørsmål, vennligst besøk vår nettside på:

www.bestwaycorp.com.

Underhåll och förvaring

1. Kom ihåg att alltid kontrollera stegen före varje användning, och byt ut skruvar och fasthållningklämmor om det finns någon rost.
2. Se till att stegen är ren och torr före förvaring.
3. Håll utom räckhåll för barn.

Vinterförberedelser

Vi rekommenderar starkt att poolstegen avlägsnas när det inte är säsong (vintermånaderna).

Ta isär alla komponenter och torka dem ordentligt. Förvara på torr plats utom räckhåll för barn.

Vänligen läs noga och bevara för framtida referens.

-EN 16582.

För information rörande produktfrågor, vänligen besök vår webbplats på:

www.bestwaycorp.com

Kunnossapito ja säilytys

1. Tarkista tikkaat aina ennen jokaista käyttöä. Vaihda ruuvit ja paikallaan pysymisen varmistavat kiinnikkeet, jos niissä on merkkejä ruosteesta.
2. Varmista ennen säilytystä, että tikkaat ovat puhtaat.
3. Säilytä lasten ulottumattomissa.

Säilytys talvella

Suosittellemme lämpimästi poistamaan tikkaat uima-altaasta talvikuukausien ajaksi (tai niiden kuukausien ajaksi, jolloin allasta ei käytetä).

Irrota varovasti kaikki osat ja kuivaa huolellisesti. Säilytä kuivassa paikassa pois lasten ulottuvilta.

Lue nämä tiedot huolellisesti ja säilytä mahdollista tulevaa tarvetta varten.

-FIN 16582

Lisätietoja tuotteesta on sivustossamme:

www.bestwaycorp.com.

Udržba a skladovanie

1. Vždy pred použitím schodíky dôkladne skontrolujte. Ak skrutky a poistné spony vykazujú známky korózie, vymeňte ich.
2. Pred uskladnením skontrolujte, či sú schodíky čisté a suché.
3. Udržujte mimo dosahu detí.

Zazimovanie

V zimných mesiacoch dôrazne odporúčame bazénový rebrik vyťahnuť z bazéna a uskladniť v zmysle pokynov.

Opatrne demontujte všetky komponenty a dôkladne vysušte. Uskladnite na suchom mieste mimo dosahu detí.

Príručku si pozorne prečítajte a odložte na neskoršie použitie.

-EN 16582.

Ďalšie informácie o našich produktoch nájdete na webovej stránke:

www.bestwaycorp.com

Konserwacja i przechowywanie

1. Sprawdzaj drabinę przed każdym użyciem. Rdzewiejące śruby i zaczepy należy wymieniać.
2. Przed przechowywaniem upewnij się, że drabina jest czysta i sucha.
3. Przechowywać w miejscu niedostępnym dla dzieci.

W sezonie zimowym

Zdecydowanie zalecamy wyjęcie drabiny z basenu na czas zimy.

W tym celu należy ostrożnie zdemontować drabinę i dokładnie wysuszyć wszystkie części. Przechowywać w miejscu suchym i niedostępnym dla dzieci.

Prosimo uvažnie prečítať ten dokument i zachovať go do vgládu v budúcnosti.

-EN16582.

Odpovedzi na pytania dotyczące produktu można znaleźć na naszej stronie:

www.bestwaycorp.com

Karbantartás és tárolás

1. Használat előtt mindig ellenőrizze a létrát. Ha rozsdásodást tapasztal, cserélje ki a csavarokat és tartókapcsokat.
2. Mielőtt tárolásra eltenné a létrát, győződjön meg annak tisztaságáról és szárazságáról.
3. Gyermeknek számára hozzáférhetetlen helyen tartandó.

Téleltetés

Nagyon javasoljuk, hogy a holt szezonban (téli hónapok) vegye ki a medencelétrát az úszómedencéből.

Gondosan szerezje szét az összes alkatrészt, és szárítsa meg őket alaposan. Tárolja száraz, gyermeknek számára hozzáférhetetlen helyen.

Alaposan olvassa el, és tegye félre, hogy a jövőben bármikor belenézhesen.

-EN 16582.

A termékre vonatkozó kérdésekkel kapcsolatos információkat keresse a következő címen található weboldalunkon:

www.bestwaycorp.com.

Apkope un glabāšana

1. Vienmēr pirms izmantošanas pārbaudiet kāpnes, nomainiet skrūves un savienojuma klipšus, ja uz tiem ir rūsas.

2. Pirms noglabāšanas pārliecinieties, ka kāpnes ir tīras.
3. Glabājiet bērniem nepieejamā vietā.

Sagatavošana ziemai

Mēs iesakām noņemt baseina kāpnes no peldbaseina nesezonas laikā (ziemas mēnešos).

Uzmanīgi izjauciet visas sastāvdaļas un kārtīgi izžāvējiet. Glabājiet sausā, bērniem nepieejamā vietā.

Lūdzu, uzmanīgi izlasiet un saglabājiet turpmākām atsaucēm.

-EN 16582.

Lai saņemtu informāciju par precēs garantiju, lūdzu, apmeklējiet mūsu tīmekļa vietni:

www.bestwaycorp.com.

Priežiūra ir laukumā

1. Prieš kiekvienu lietojumu visuomet patikrinkite kopēcijas, pakeiskite varžtus ir fiksatorius, jei jie surūdiņē.
2. Prieš padēdami laikyti įsitinkite, kad kopēcijas yra švarios ir sausos.
3. Laikykite vaikams nepasiekiamoje vietoje.

Paruošimas ziemai

Rekomenduojame nuimti kopēcijas nuo baseino ne sezono metu (žiema).

Atsargiai išmontuokite visus komponentus ir kruopščiai nusauskinkite. Laikykite sausoje ir vaikams nepasiekiamoje vietoje.

Atidžiai perskaitykite ir išsaugokite, kad galėtumėte peržiūrėti ateityje.

-EN 16582.

Norėdami daugiau informacijos apie rūpinimus gaminius, apsilankykite mūsų internetinėje svetainėje adresu:

www.bestwaycorp.com.

Vzdrževanje in shranjevanje

1. Lestev pred vsako uporabo preverite. Zamenjajte vijake in pritrdilne sponke, če so zarjaveli.
2. Pred shranjevanjem lestev očistite in osušite.
3. Shranjujte jo zunaj dosega otrok.

Shranjevanje pozimi

Toplo vam priporočamo, da bazenske lestve zunaj sezone (zimski meseci) ne puščate v bazenu.

Previdno razstavite vse sestavne dele in jih do suhega obrišite. Lestev shranite v suhem prostoru, zunaj dosega otrok.

Pozorno preberite navodila in jih shranite, saj jih boste v prihodnje morebiti potrebovali.

-EN 16582.

Če imate kakršna koli vprašanja v zvezi z izdelkom, si lahko ogledate našo spletno stran:

www.bestwaycorp.com

Bakım ve Depolama

1. Her kullanımdan önce merdiveni kontrol edin, vidalarını

paslanma varsa vidaları veya tutma klipslerini değiştirin.

2. Saklamak üzere kaldırmadan önce merdivenin temiz ve kuru olduğuna kontrol edin.

3. Çocukların erişemeyeceği yerde saklayın.

Kış Koşullarına Hazırlama

Sezon dışında (kış aylarında) havuz merdiveninin yüzme havuzundan çıkarılmasını şiddetle öneririz.

Tüm bileşenleri dikkatle demonte edin ve iyice kurulaştırın. Kuru ve çocukların ulaşamayacağı bir yerde muhafaza edin.

Lütfen dikkatli bir şekilde okuyun ve gelecekte referans olarak kullanmak için saklayın.

-EN 16582.

Ürünle ilgili bilgi almak veya soru sormak için, lütfen web sitemizi ziyaret edin:

www.bestwaycorp.com

Întreținere și depozitare

1. Nu uitați să verificați întotdeauna scara înainte de fiecare utilizare, schimbați șuruburile și clemele de fixare dacă prezintă urme de rugină.

2. Asigurați-vă că cortul este curat și uscat înainte de depozitare.

3. A nu se lăsa la îndemâna copiilor.

Sezonul de iarnă

Vă recomandăm cu fermitate îndepărtarea scării de piscină din piscină în afara sezonului (lunile de iarnă).

Dezasamblați cu atenție toate componentele și uscați-le cu atenție. Depozitați la loc răcoros, uscat, departe de accesul copiilor.

Vă rugăm să citiți cu atenție și să păstrați pentru a consulta pe viitor.

-EN 16582

Pentru informații privind garanția pompei vă rugăm să vizitați pagina noastră de internet la:

www.bestwaycorp.com

Поддръжка и Съхранение

1. Винаги помнете, да проверявате стълбата преди всяка употреба, да замените винтовете и скобите за закрепване, при наличие на ръжда.

2. Уверете се, че стълбата е чиста и суха, преди да я приберете за съхранение.

3. Съхранявайте на място, недостъпно за деца.

Зазимяване

Ние горещо препоръчваме стълбата на baseina да бъде отстранявана от самия басейн през неактивния сезон (зимните месеци).

Внимателно разглобете всички компоненти и подсушете добре. Съхранявайте на сухо място и далеч от достъпа на деца.

Моля, прочетете внимателно и запазете за бъдеща консултация.

-EN 16582.

За информация относно въпроси, свързани с продукта, моля посетете нашата веб-страница на адрес: www.bestwaycorp.com

Одръжанье и складиштенье

1. Nikada ne zaboravite provjeriti ljestve prije svake upotrebe te također zamijenite vijke i kukice za učvršćivanje ako na njima ima tragova rđe.
2. Prije skladištenja ljestvi, pobrinite se da su ljestve čiste i suhe.
3. Držite izvan dohvata djece.

Складиштенье tijekom зимског раздобља

Preporučujemo vam da tijekom razdoblja nekorištenja bazena (zimskih mjeseci) skinete bazenske ljestve. Pažljivo rastavite sastavne dijelove i temeljito ih osušite. Odložite ih na suho mjesto izvan dosegа djece.

Pažljivo pročitajte i sačuvajte za buduću uporabu.

-EN 16582

Za dodatna pitanja o ovom proizvodu, molimo Vas posjetite naše mrežne stanice: www.bestwaycorp.com

Hooldamine ja houstamine

1. Kontrollige redel enne kasutamata hakkamist üle ja asendage roostes poldid ja kinnituskõpsud.
2. Enne hoiualepanekut veenduge, et redel on puhas ja kuiv.
3. Hoidke lastele kättesaamatus kohas.

Houstamine talveks

Soovitame rangelt basseini redel pärast hooaja lõpetamist (talveks) eemaldada. Võtke kõik osad lahti ja kuivatage hoolikalt. Hoidke kuivas kohas, mis ei ole lastele kättesaadav.

Lugege need juhised hoolikalt läbi ja hoidke järgneva kasutamiseks alles.

-EN 16582.

Toote kohta küsimuste tekkimisel vaadake veebisaiti: www.bestwaycorp.com

Одръжанье и одлаганье

1. Ne zaboravite proveriti ljestve pre svake upotrebe, promenite vijke i sigurnosne spojnice ako na njima ima rđe.
2. Pobrinite se da su ljestve čiste i suve pre nego ih odložite.
3. Držite van domašaja dece.

Припреманье за зиму

Mi preporučujemo da se ljestve za bazen uklone iz bazena van sezone (zimski meseci). Pažljivo rastavite sve delove i dobro osušite. Odložite na suvo mjesto van domašaja dece.

Molimo pročitajte pažljivo i sačuvajte ova uputstva da ih imate ako vam zatrebaju u budućnosti.

-EN 16582

Za informacije i pitanja o proizvodu molimo posetite našu veb stranicu: www.bestwaycorp.com

الصيانة والتخزين

1. تذكر دائماً فحص السلم قبل استخدامه، وقم بتغيير المسامير ومشابك الحجز إذا ظهر عليها الصدأ.
2. تأكد أن السلم نظيف وجاف قبل تخزينه.
3. احتفظ بعيداً عن متناول الأطفال.

فصل الشتاء

نوصي بشدة بكم حمام السباحة خلال موسم الإيقاف (أشهر الشتاء). قم بتفكيك جميع الأجزاء بعناية وحفظها تماماً. يُخزن في مكان جاف بعيداً عن متناول الأطفال.

فضلاً، اقرأه بعناية واحتفظ به للرجوع إليه مستقبلاً.

-EN 16582-

للحصول على معلومات حول المنتج، يرجى زيارة موقعنا على الإنترنت: www.bestwaycorp.com



©2020 Bestway Inflatables & Material Corp.

All rights reserved/Tous droits réservés/Todos los derechos reservados/Alle Rechte vorbehalten/Tutti i diritti riservati

®™ Trademarks used in some countries under license to/

Marques ®™ utilisées dans certains pays sous la licence de/

Marcas comerciales ®™ utilizadas en algunos países bajo la licencia de/

®™ Die Warenzeichen werden in einigen Ländern verwendet unter Lizenz der/

®™ Marchi utilizzati in alcuni paesi concessi in licenza a

Bestway Inflatables & Material Corp., No.3065 Cao An Road, Shanghai, 201812, China.

Manufactured, distributed and represented in the European Union by/

Fabriqués, distribués et représentés dans l'Union Européenne par/Fabricado, distribuido y representado en la Unión Europea por/

Hergestellt, vertrieben und in der Europäischen Union vertreten von/Prodotto, distribuito e rappresentato nell'Unione Europea da

Bestway (Europe) S.r.l., Via Resistenza, 5, 20098 San Giuliano Milanese (Milano), Italy

Distributed in North America by/Distribués en Amérique du Nord par/Distribuido en Norteamérica por

Bestway (USA) Inc., 3411 E. Harbour Drive, Phoenix, Arizona 85034, United States of America

Tel: +86 21 69135588 (For U.S. and Canada)

Distributed in Latin America by/Distribués en Amérique latine par/Distribuido en Latinoamérica por/Distribuido en América Latina por

Bestway Central & South America Ltda, Salar Ascotan 1282, Parque Enea, Pudahuel, Santiago, Chile

Distributed in Australia & New Zealand by **Bestway Australia Pty Ltd, Unit 2/98-104 Carnarvon St Silverwater, NSW 2128, Australia**

Tel: Australia: (+61) 29 0371 388; New Zealand: 0800 142 101

Exported by/Exporté par/Exportado por/Exportiert von/Esportato da

Bestway (Hong Kong) International Ltd./Bestway Enterprise Company Limited

Suite 713, 7/Floor, East Wing, Tsim Sha Tsui Centre, 66 Mody Road, Kowloon, Hong Kong

www.bestwaycorp.com