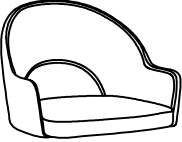








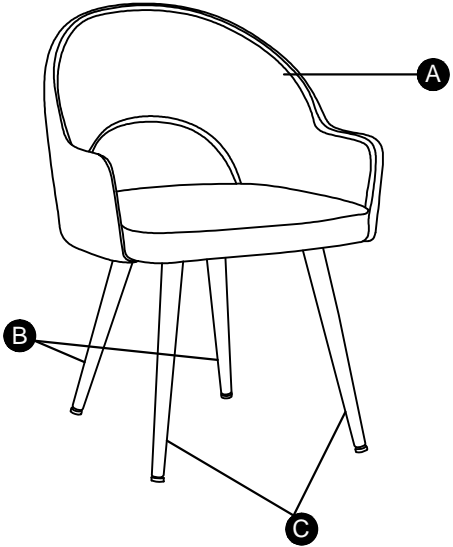
# ASSEMBLY INSTRUCTION

## GENERAL INFORMATION

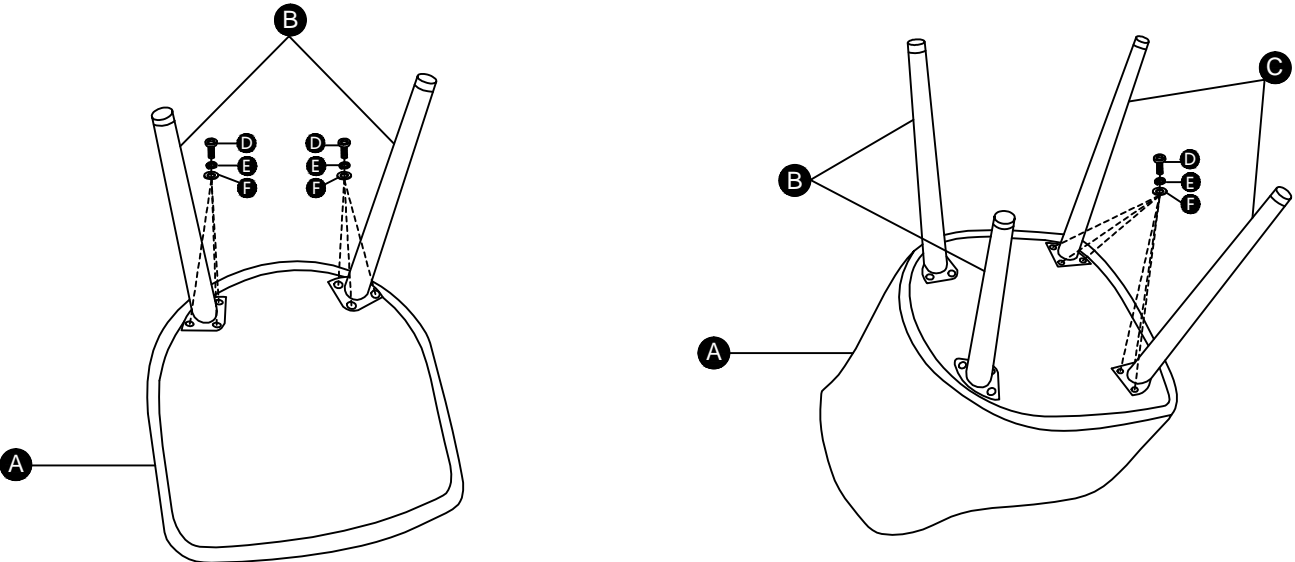
- (1) Please read this assembly instruction prior assembling. To avoid damage, assemble this product on a non-abrasive surface. Do not fully tighten any bolts until you are sure all component parts are assembled correctly.
- (2) Make sure all bolts are fully tightened before this product is used.
- (3) Non Abrasive cleaning product.
- (4) The fitting pack contains SMALL ITEMS which should be KEPT AWAY FROM YOUNG CHILDREN.

## PARTS&HARDWARE LIST

PART	DESCRIPTION	QTY	PICTURE
<b>A</b>	Chair Body	1	
<b>B</b>	Back Legs with Adjustable Glide	2	
<b>C</b>	Front Legs	2	
<b>D</b>	25mm(1") Screws	12	
<b>E</b>	Spring Washers	12	
<b>F</b>	Flat Washers	12	
<b>G</b>	M6 Allen Key	1	



## ASSEMBLY STEP



Put the Chair Body(A) on a non-abrasive surface. Attach Back Legs(B) and Front Legs(C) to the bottom of the Seat using 25mm (1") Screws(D), Spring Washers(E) and Flat Washers(F) with the provided Allen Key(G) as shown. Place chair upright on level floor. Make any necessary adjustments to Adjustable Glide on Back Legs(B) to ensure chair sits flat on floor without rocking.