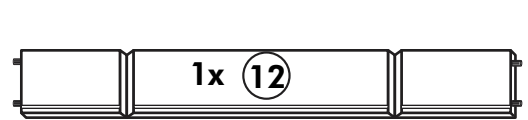
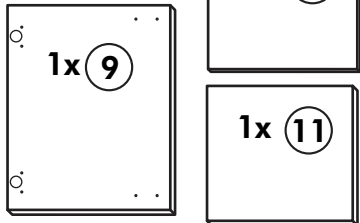
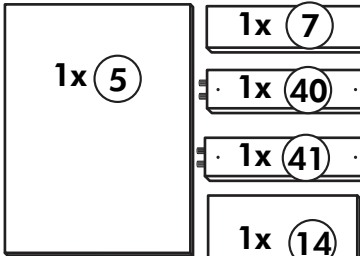
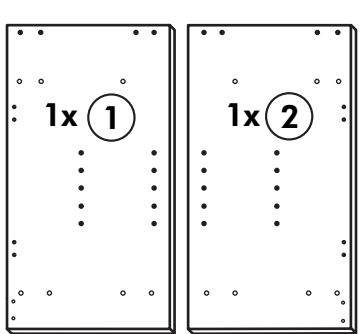
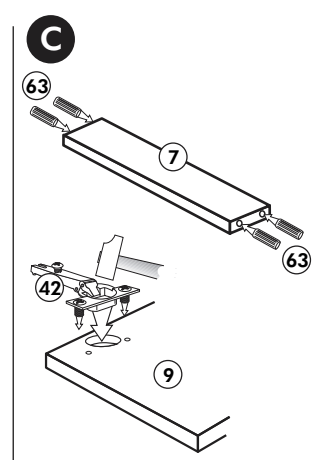
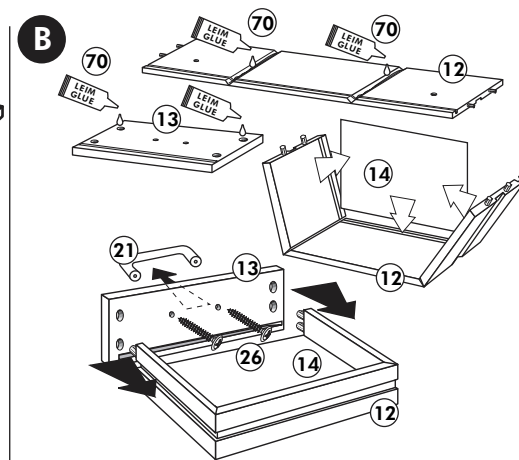
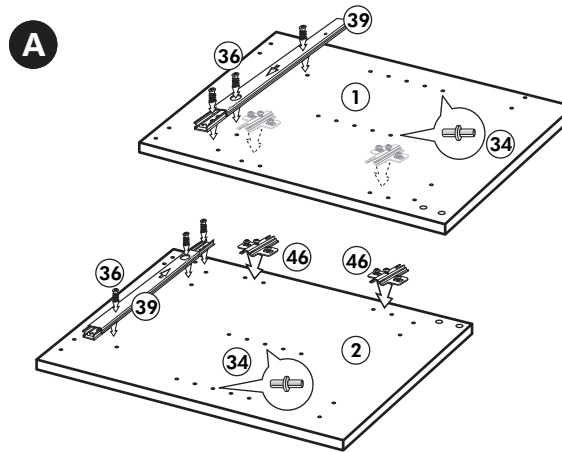
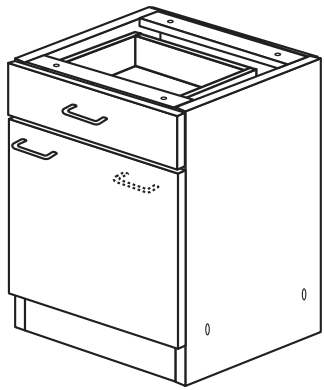
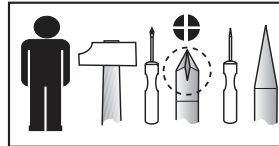


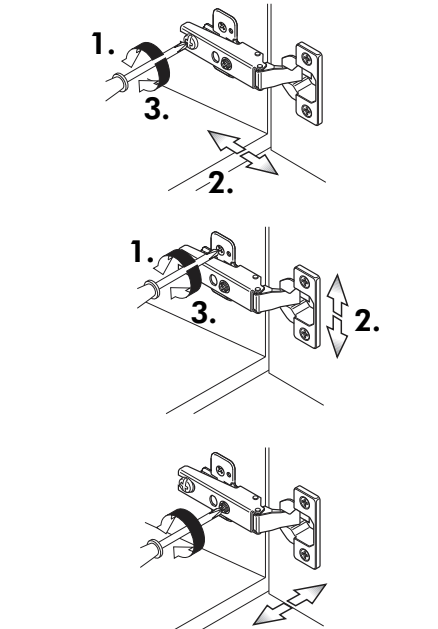
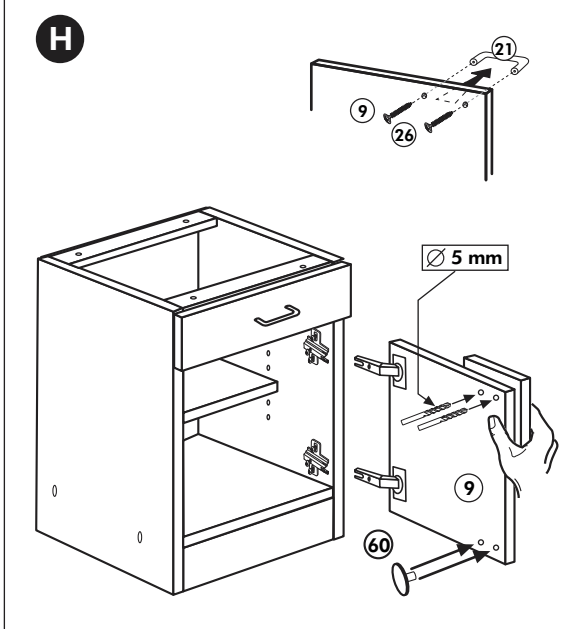
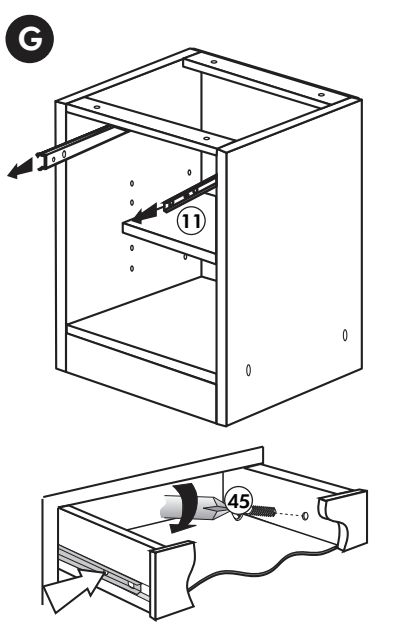
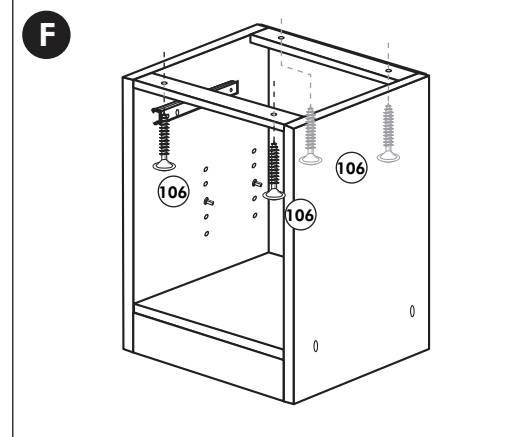
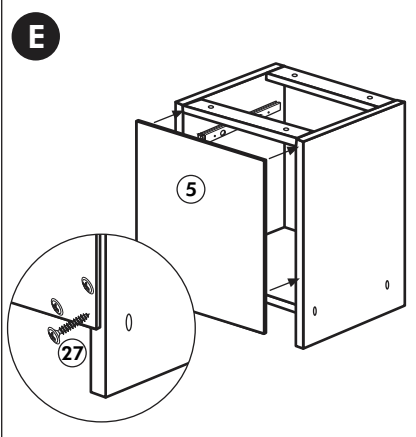
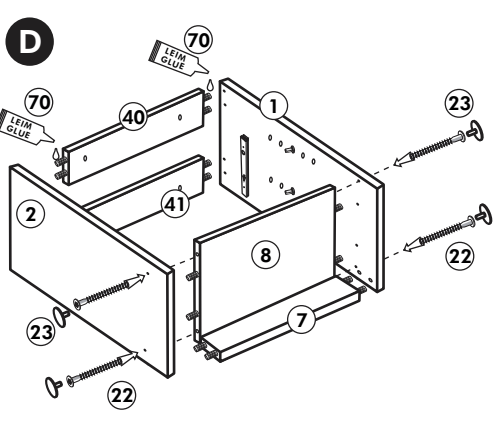
Unterschrank ohne AP

Nr. 003 Rev.00



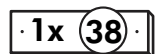
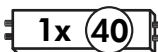
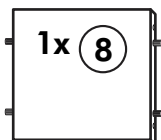
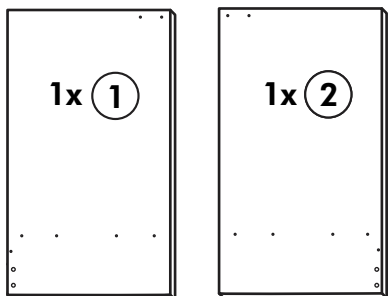
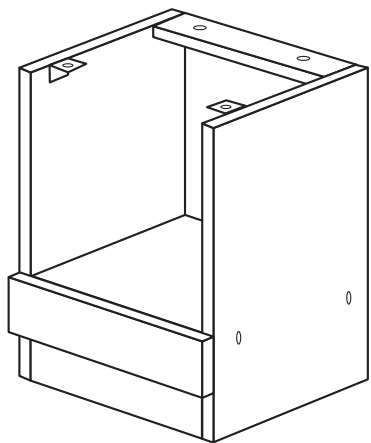
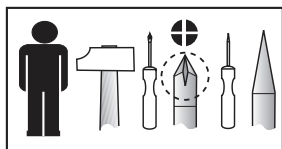
| | | | |
|-----------------|--|------------------|--|
| 34 4x | | 22 4x | |
| 36 6x | | 23 4x | |
| 39 2x | | 27 24x | |
| 70 1x | | 26 4x | |

| | | | |
|------------------|--|-----------------|--|
| 106 4x | | 63 4x | |
| 45 2x | | 45 2x | |
| 42 2x | | 46 2x | |
| 21 2x | | 60 2x | |



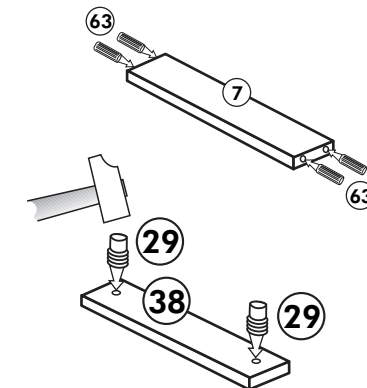
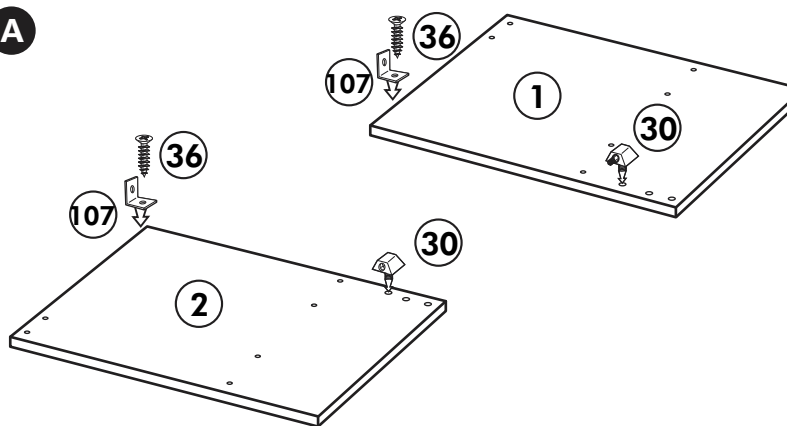
Herdumbau ohne AP

Nr. 006 Rev.00

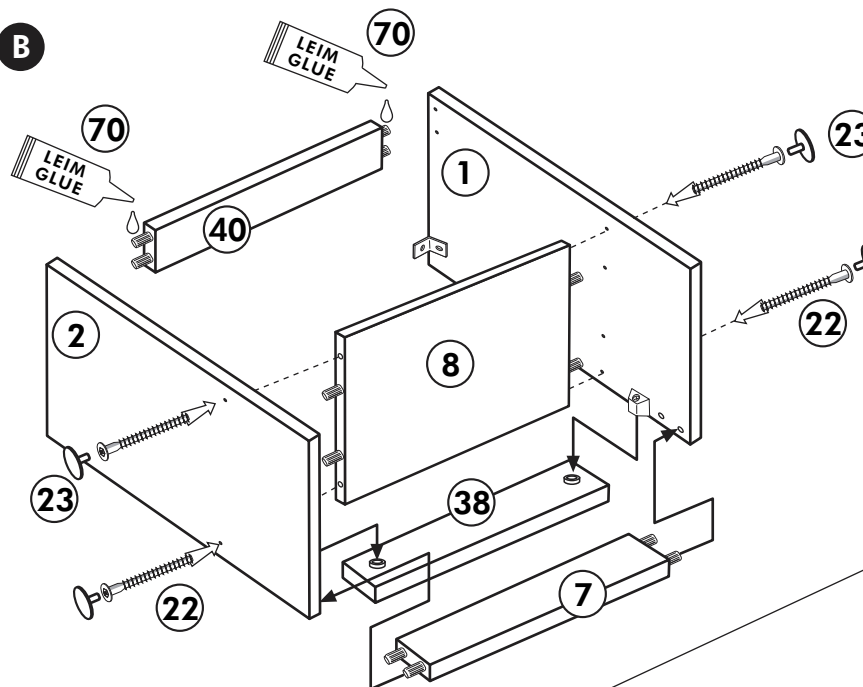


| | | | |
|------------|--|----|----------|
| 63 | | 4x | 8 x 30 |
| 30 | | 2x | |
| 29 | | 2x | ∅ 10 |
| 22 | | 4x | |
| 23 | | 4x | ∅ 3 |
| 106 | | 2x | 4,0 x 30 |
| 36 | | 4x | 3,5 x 15 |
| 107 | | 2x | |
| 70 | | 1x | |

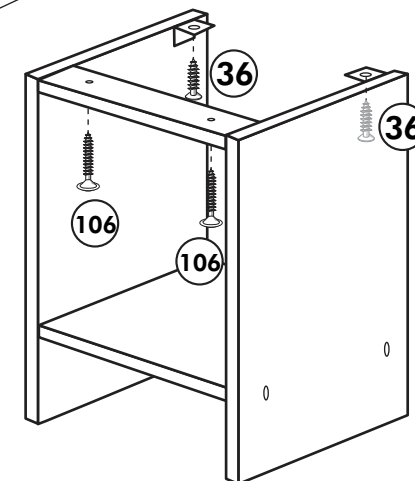
A



B

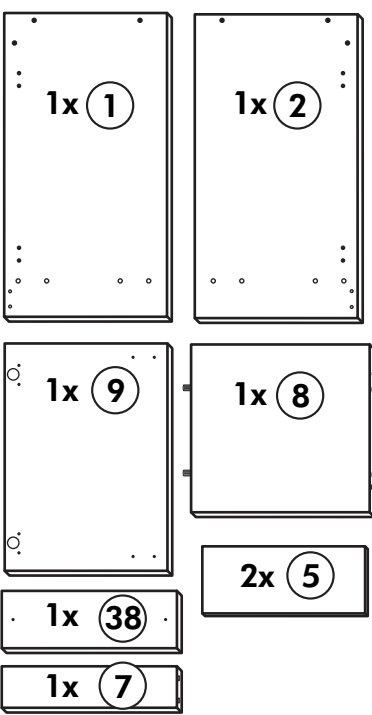
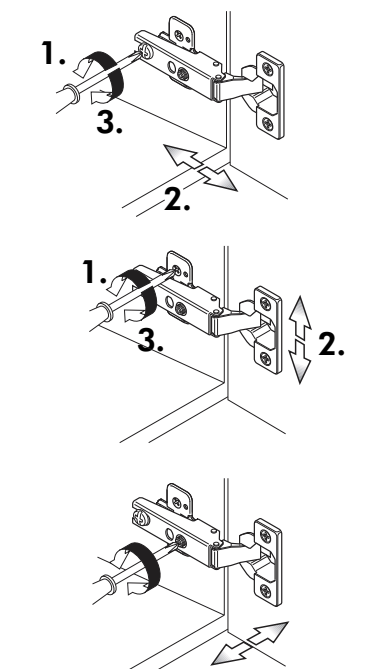
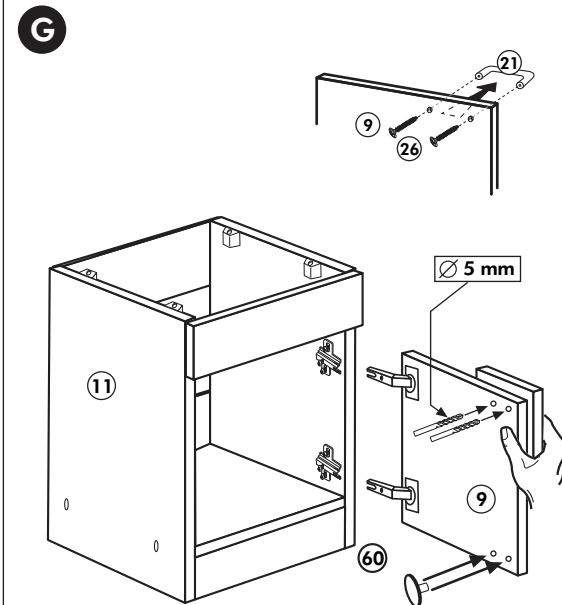
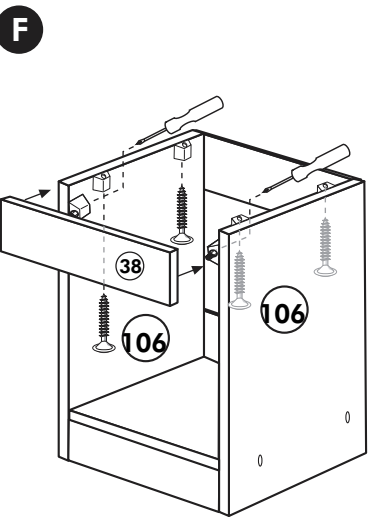
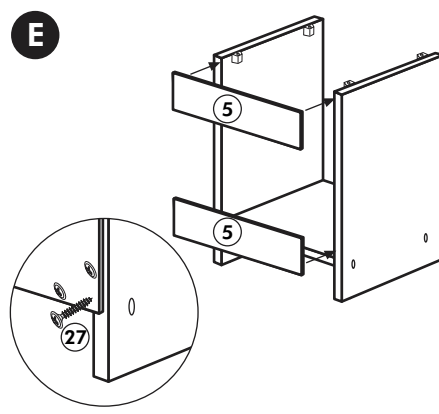
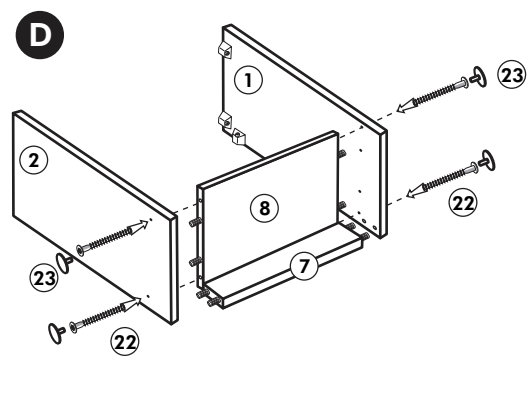
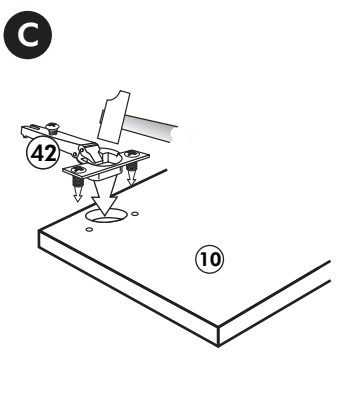
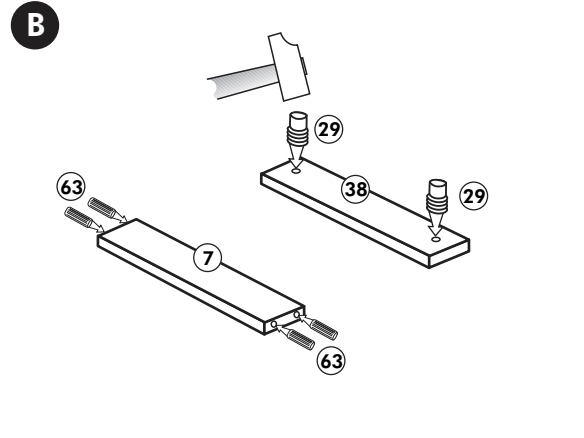
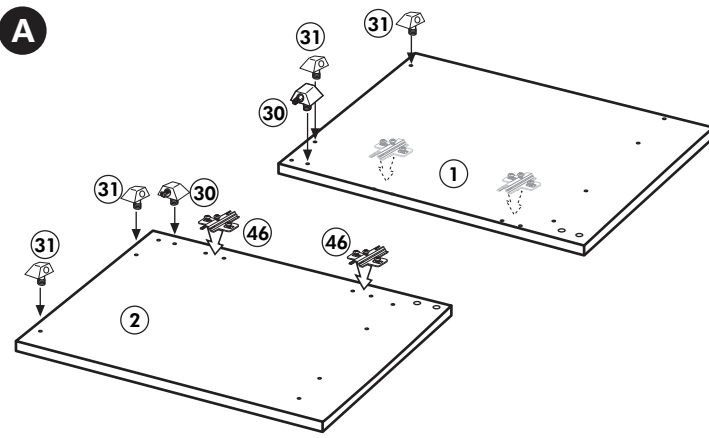
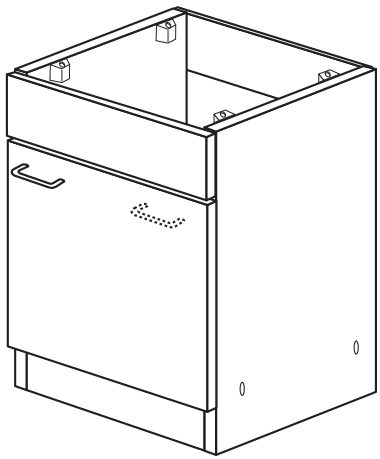
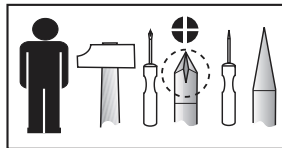


C

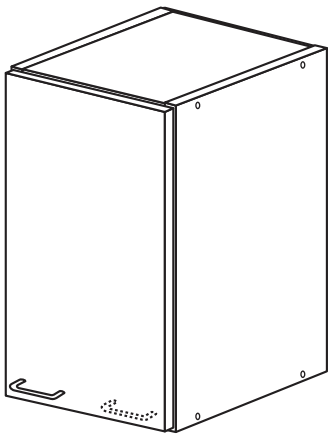


Spüle-Unterschrank ohne AP

Nr. 400 Rev.00

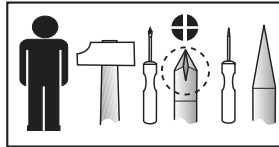


| | |
|------------------------------|-----------------------------------|
| 23 4x Ø 3 | 30 2x |
| 46 2x | 29 2x Ø 10 |
| 42 2x | 22 4x |
| 63 4x 8 x 30 | 26 2x 4,0 x 30 M4 |
| 106 4x 4,0 x 30 | 31 4x |
| | 60 2x Ø 5 |
| | 27 14x 3,0 x 20 |
| | 21 1x |

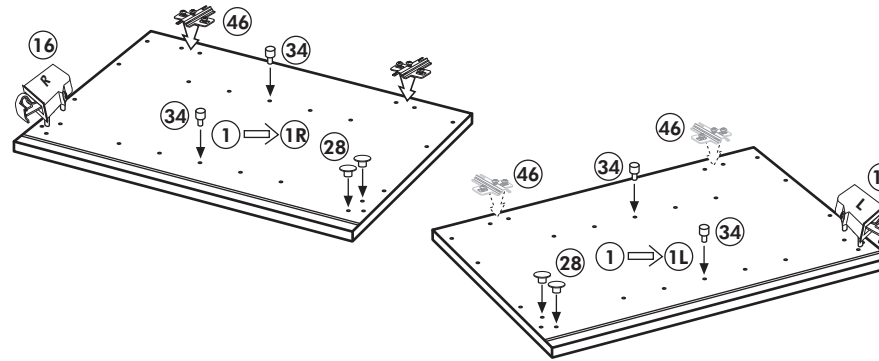


Hängeschrank

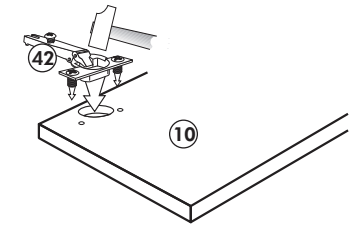
Nr. 101 Rev.00



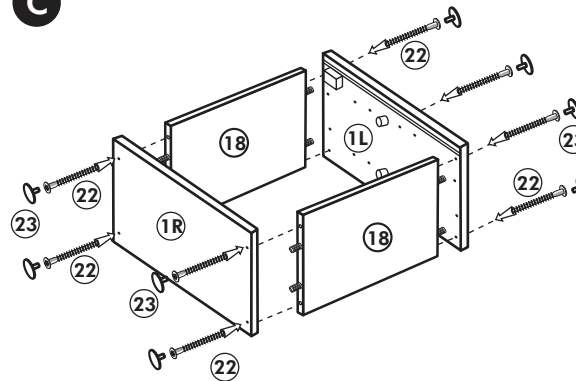
A



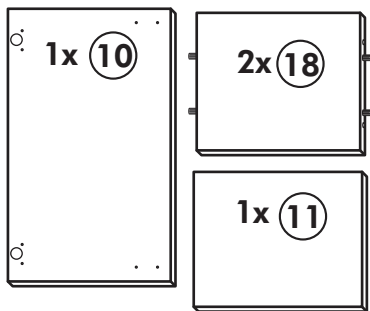
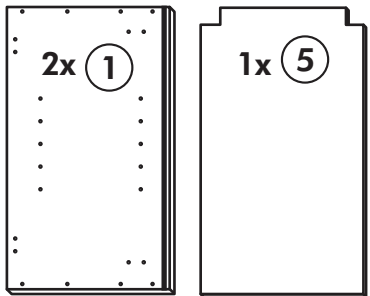
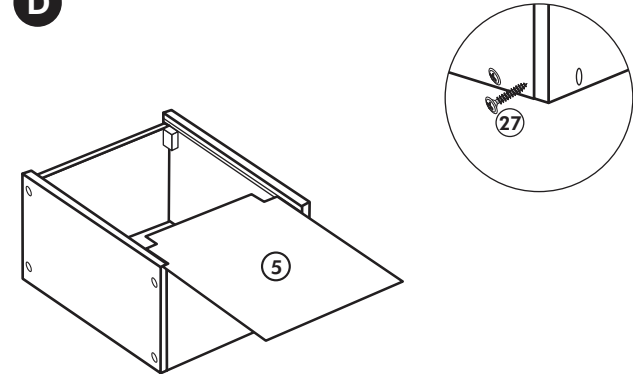
B



C

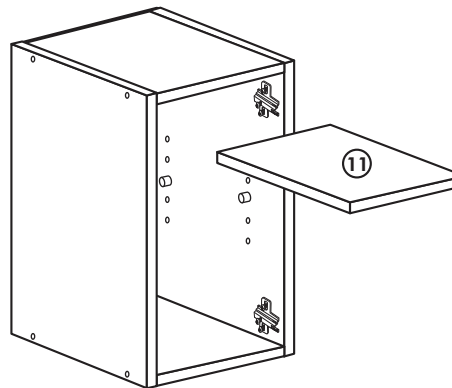


D

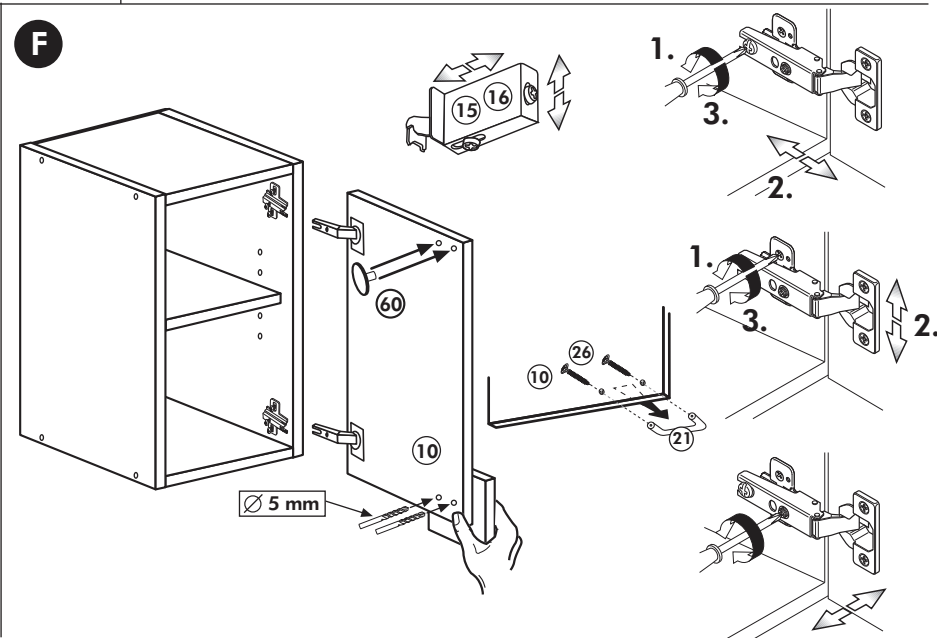


| | | | | | | |
|----|--|----|-----|----|----|---------------------|
| 68 | | 2x | 23 | | 8x | Ø 3 |
| 34 | | 4x | 27 | | 8x | 3,0 x 20 |
| 28 | | 4x | 26 | | 2x | 4,0 x 30 M4 x 30 |
| 60 | | 2x | Ø 5 | 15 | | 1x |
| 22 | | 8x | 16 | | 1x | |
| 46 | | 2x | 69 | | 2x | |
| 21 | | 1x | 42 | | 2x | |

E

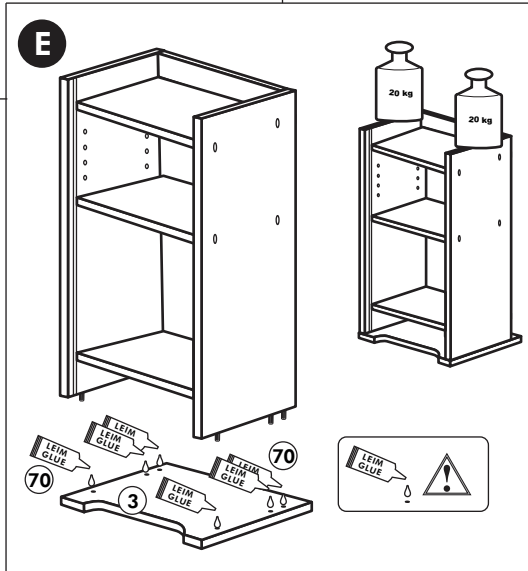
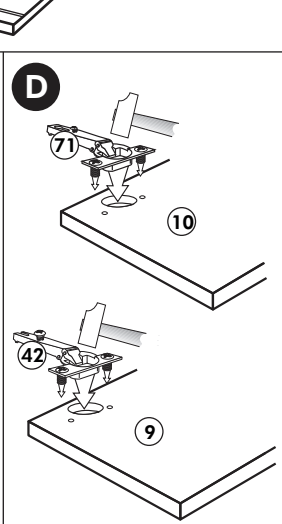
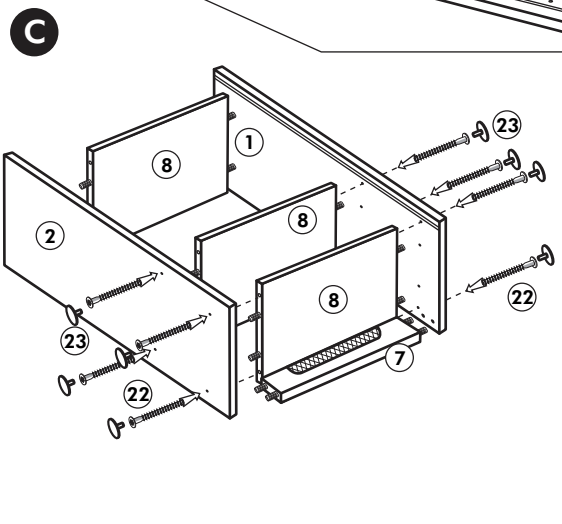
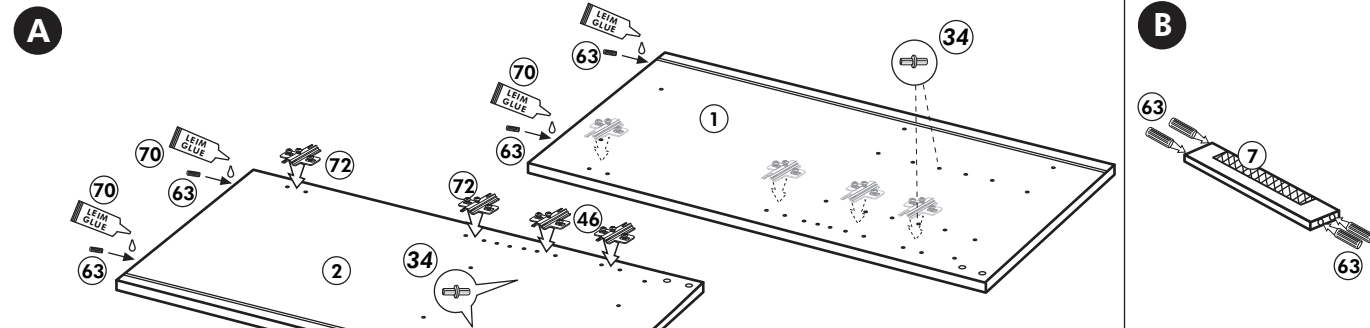
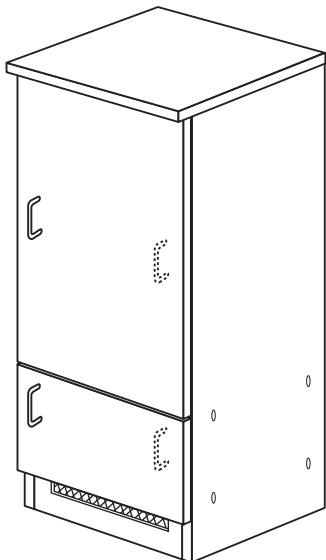
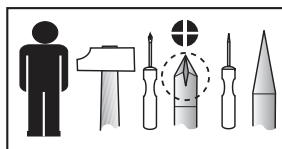


F



Kühlschranksbau 165cm

Nr. 301 Rev.00



| | | | |
|-------------|-------------|--------------|---------------------------------------|
| 1x 1 | 1x 2 | 1x 10 | 34 4x |
| 1x 3 | 3x 8 | 1x 9 | 23 8x Ø 3 |
| 1x 5 | 1x 7 | 1x 11 | 26 4x 4,0 x 30 M4 |
| | | | 63 10x 8 x 30 |
| | | | 72 2x |
| | | | 70 1x LEIM GLUE |
| | | | 42 2x |
| | | | 27 10x 3,0 x 20 |
| | | | 46 2x |
| | | | 60 2x Ø 5 |
| | | | 21 2x |

