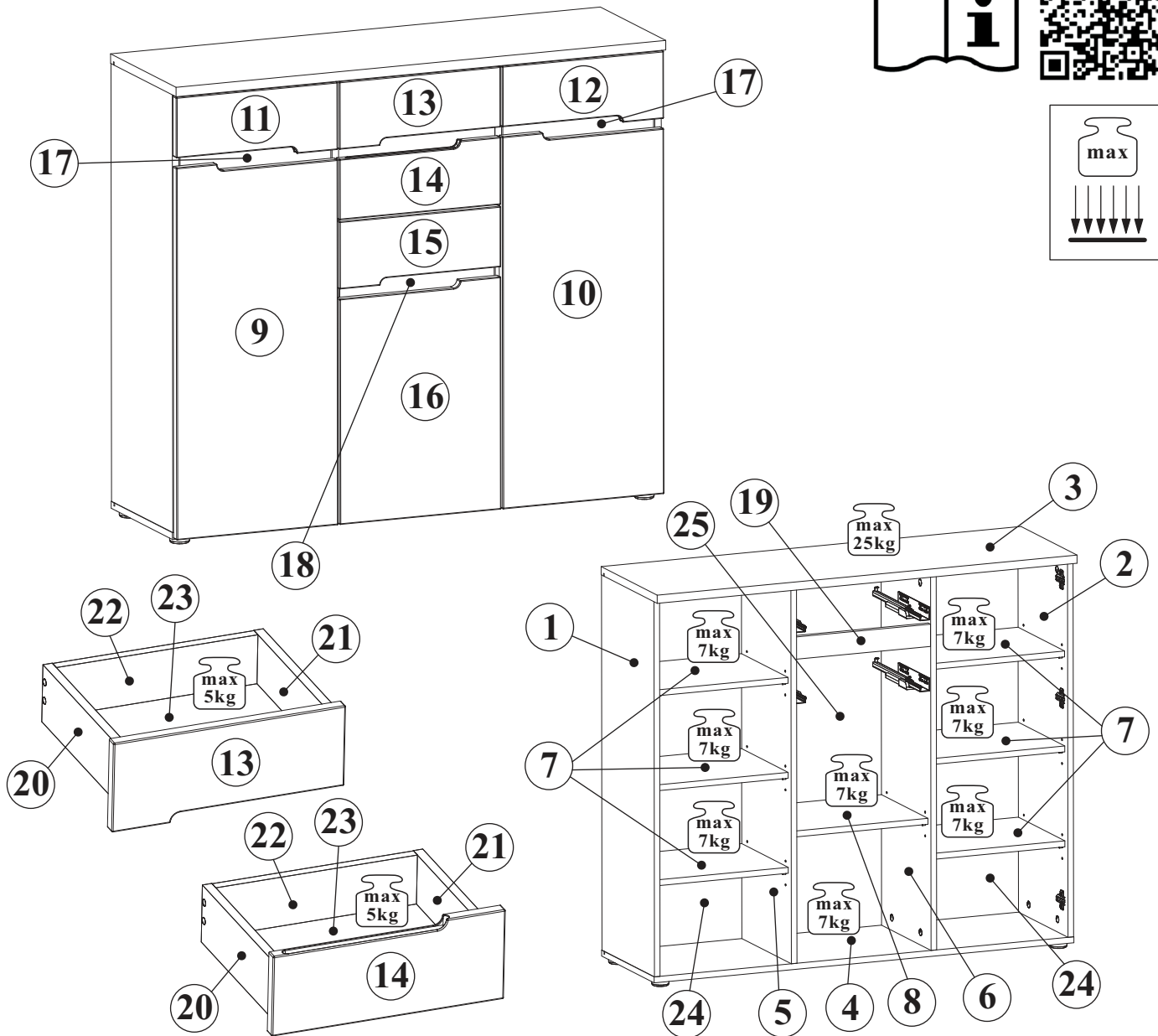
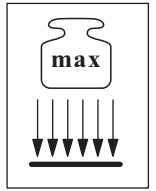
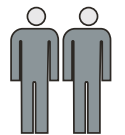


MEMPHIS 50 34--24

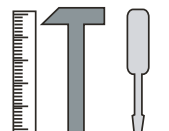


NO	Dim.			Col.-No	Qty
1	1012	350	16	2	1
2	1012	350	16	2	1
3	1202	374	22	1	1
4	1202	350	16	1	1
5	1012	330	16	2	1
6	1012	330	16	2	1
7	376	310	16	1	6
8	384	310	16	1	1
9	396	860	18	3	1
10	396	860	18	3	1
11	396	156	18	3	1
12	396	156	18	3	1

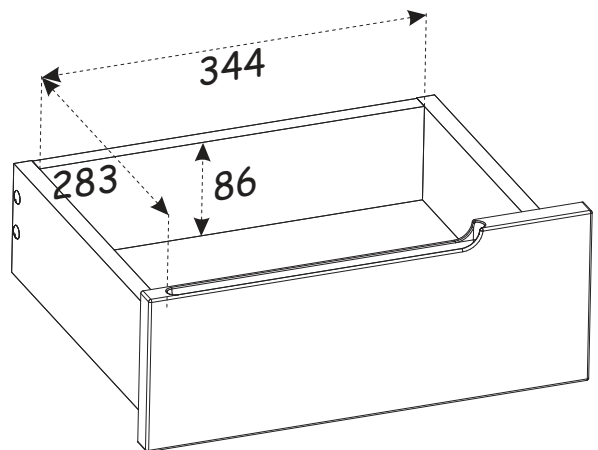
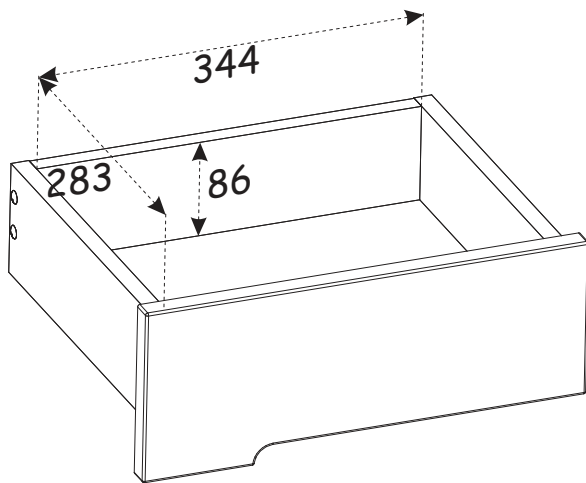
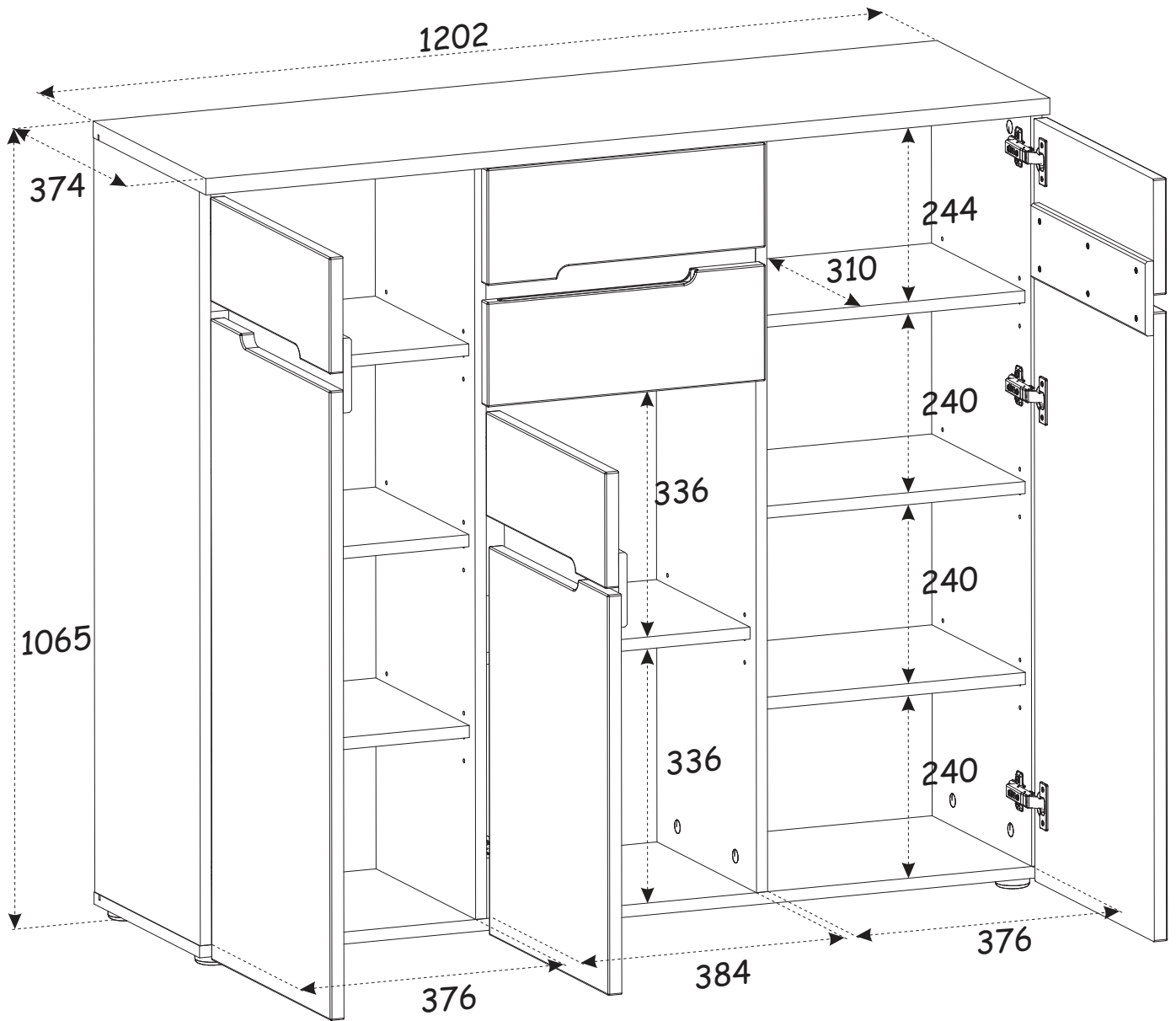
NO	Dim.			Col.-No	Qty
13	396	156	18	3	1
14	396	156	18	3	1
15	396	156	18	3	1
16	396	537	18	3	1
17	370	100	12	1	2
18	379	100	12	1	1
19	384	60	16	1	1
20	300	100	16	1	2
21	300	100	16	1	2
22	344	86	16	1	2
23	304	356	3	1	2
24	1024	390	3	3	2
25	1024	400	3	3	1

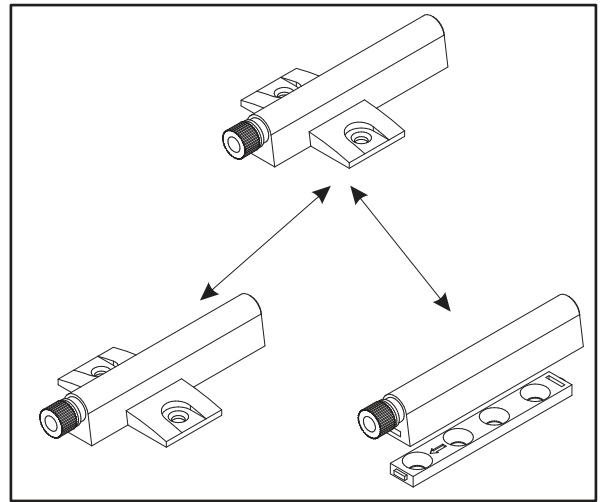
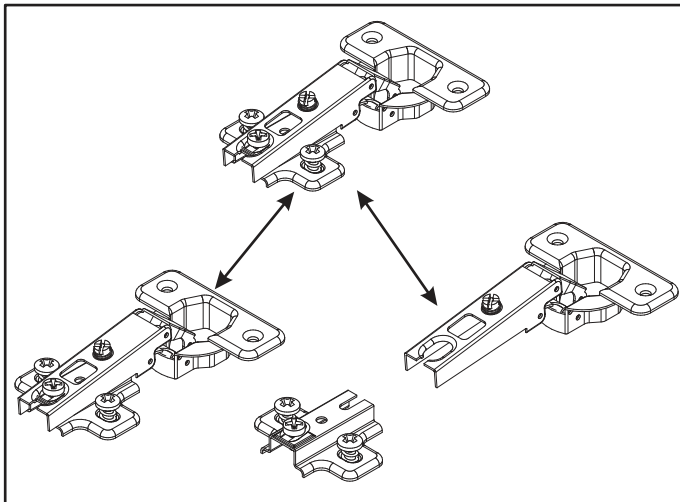
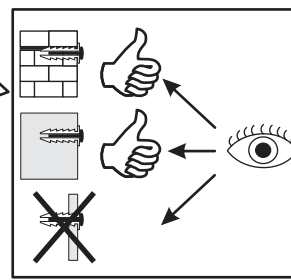
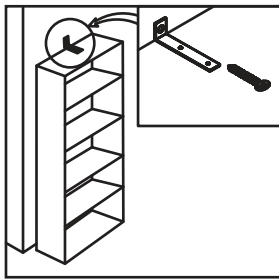
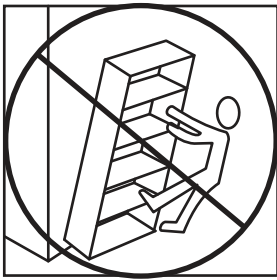
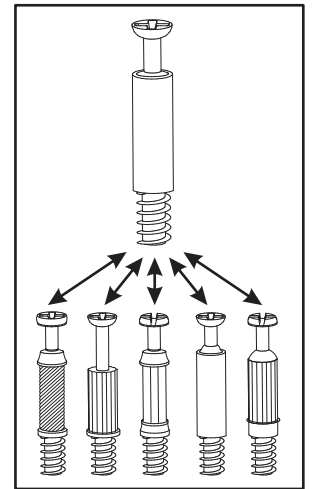
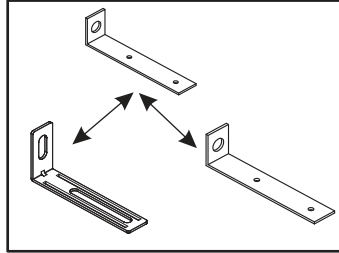
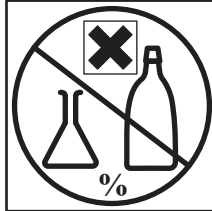
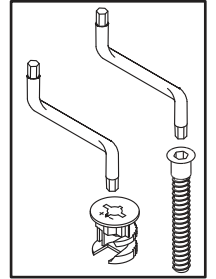
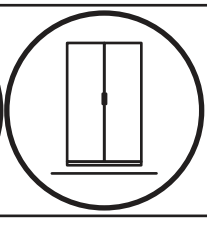
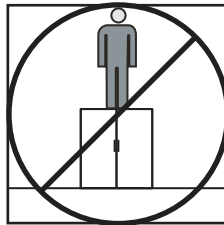
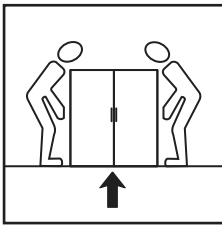
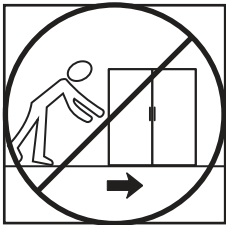
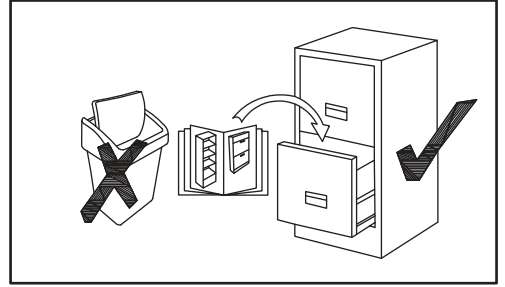
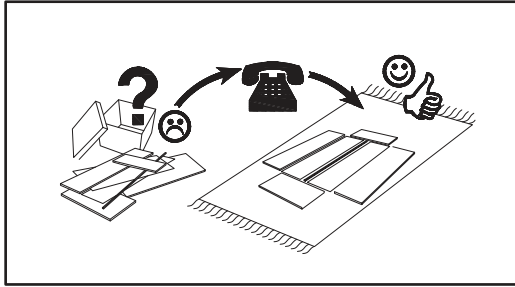
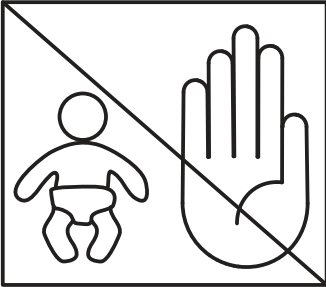
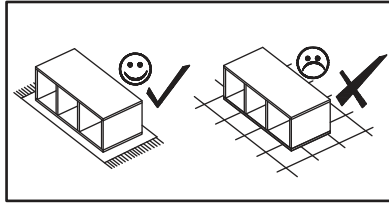
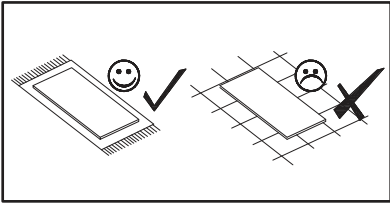


180 min



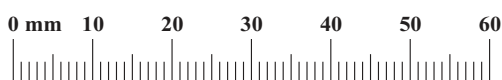
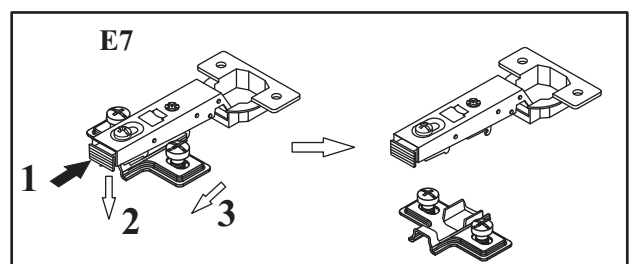
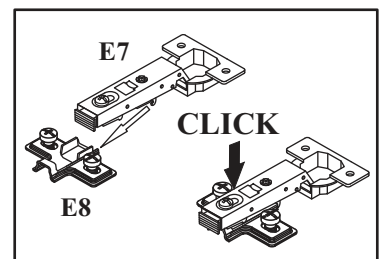
MEMPHIS 50 34 -- 24



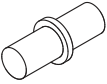
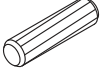

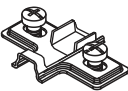


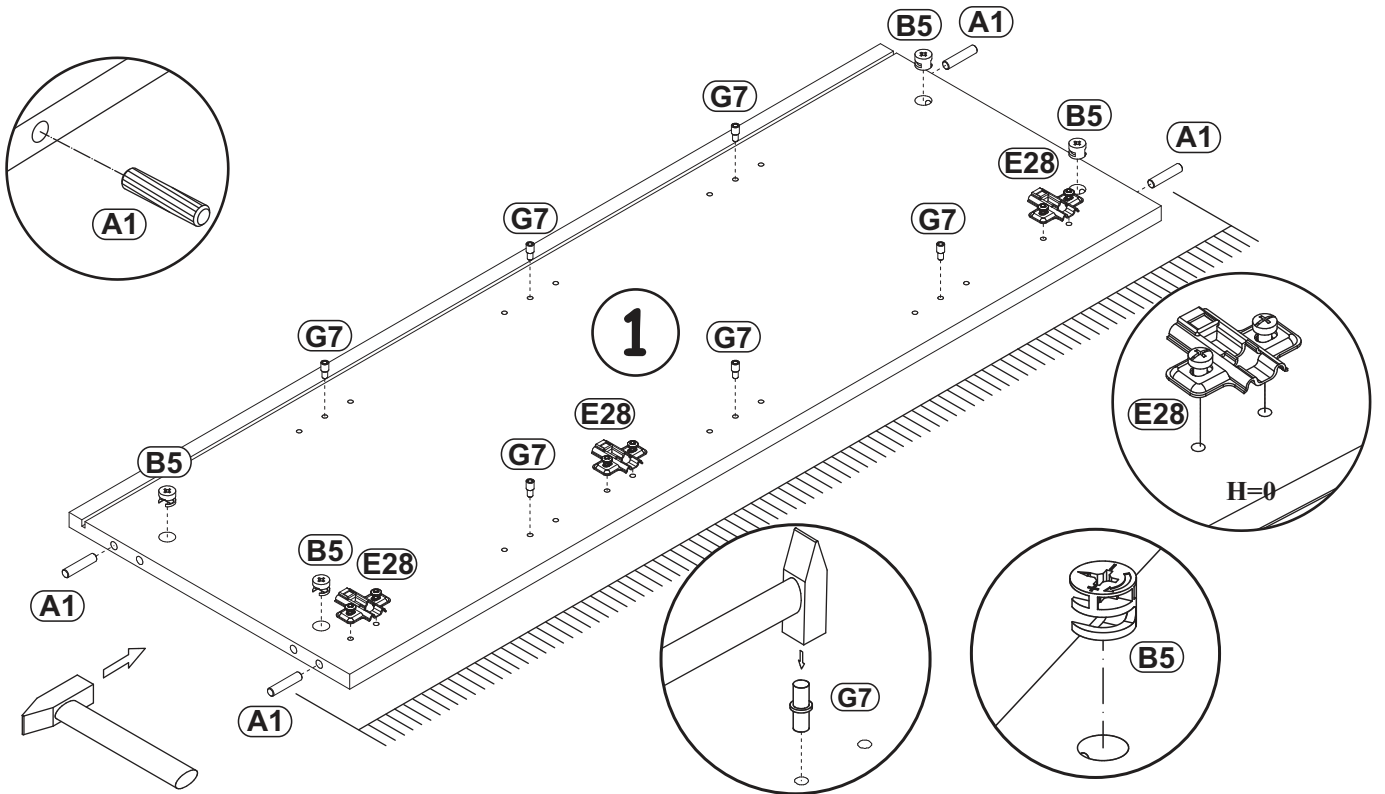
MEMPHIS 50 34 -- 24

A1 x22 ø8x36	B4 x22	B5 x22 ø15x12	G5 x22	B11 x8 Ø7x50	G4 x8
E7 x6 Ø35 H=0	E9 x2 Ø35 H=8	E28 x6 H=0	E8 x2 H=2	G7 x28	S1 x22
G16 x10	QU x2 L-300	I11 x6 Ø45, h=15	D10 x26 USØ3,5x13	UP11 x6 UPØ4x20	UP13 x20 UPØ3x16
UP17 x18 UPØ4x25	D20 x8 ESØ6x9,5	L1 x1	KR1 x1	G2 x1	

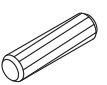


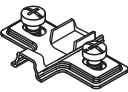


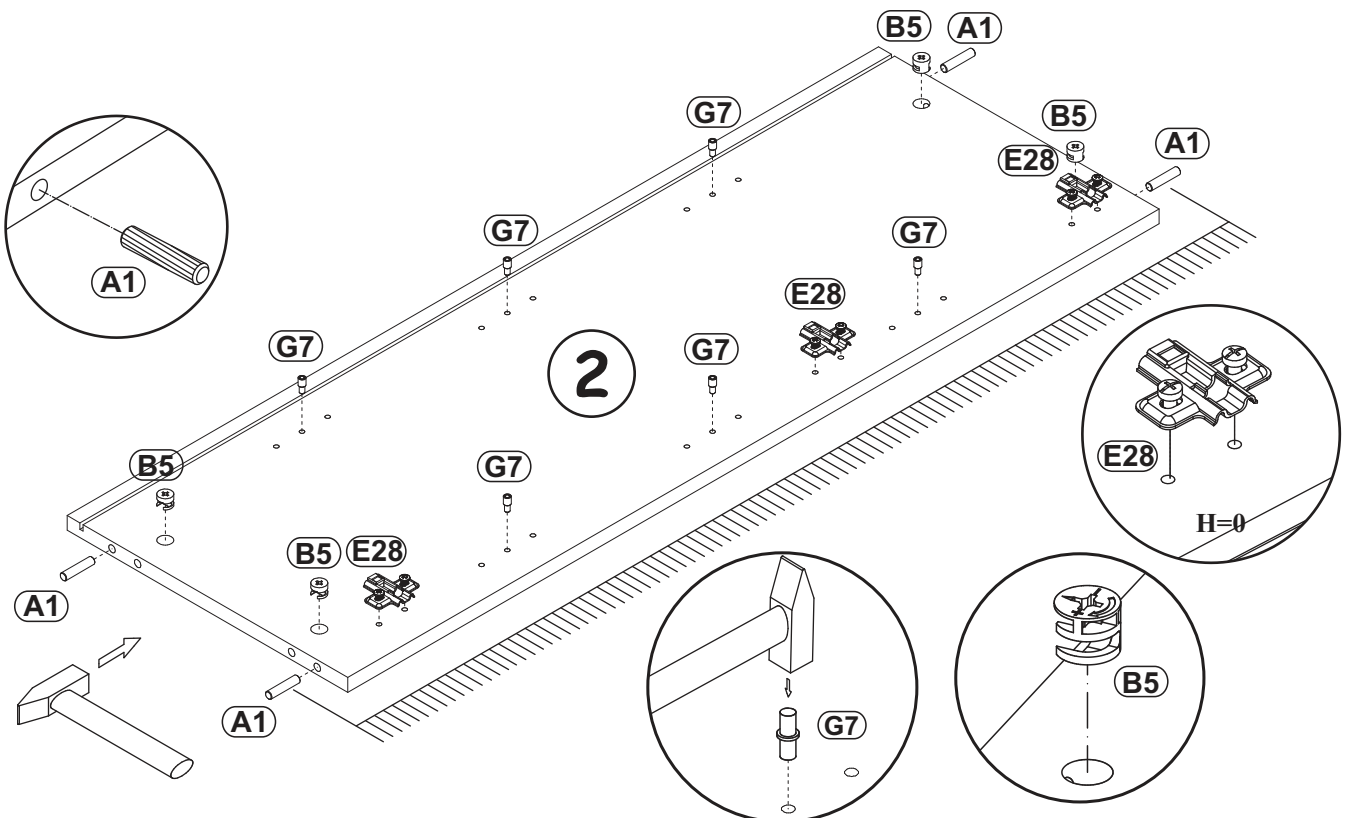
1

G7		A1		B5		E28	
x6		x4	ø8x36	x4	ø15x12	x3	H=0

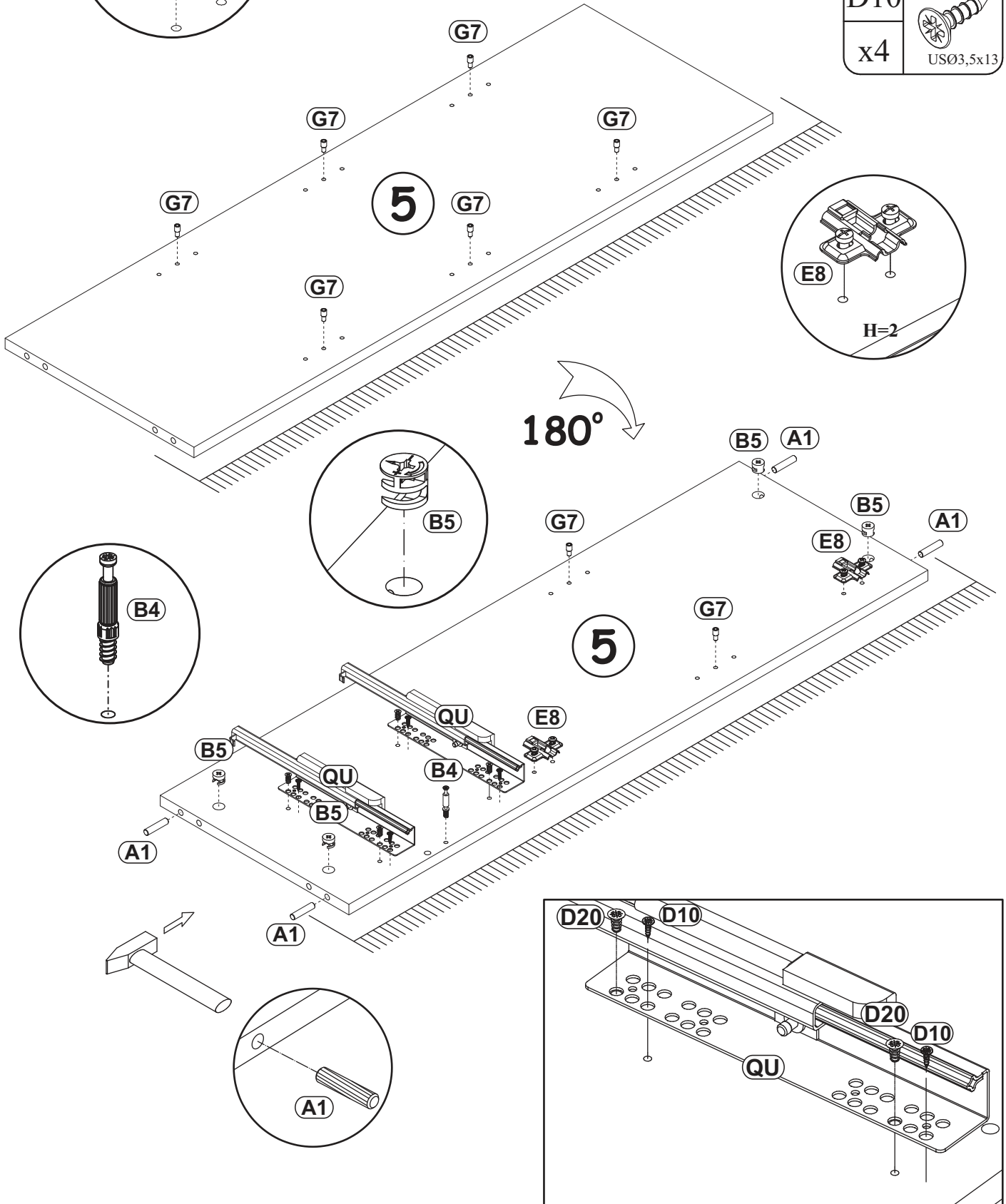
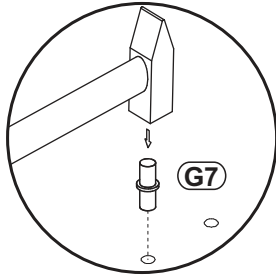
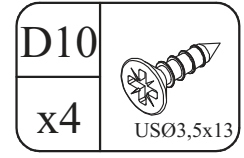
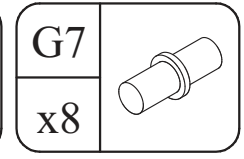
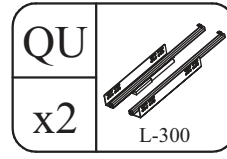
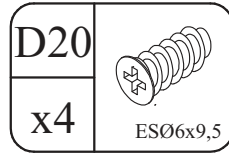
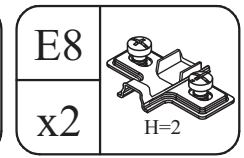
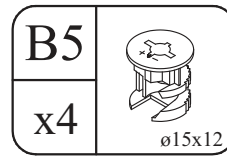
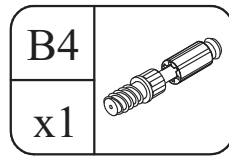
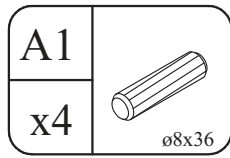


2

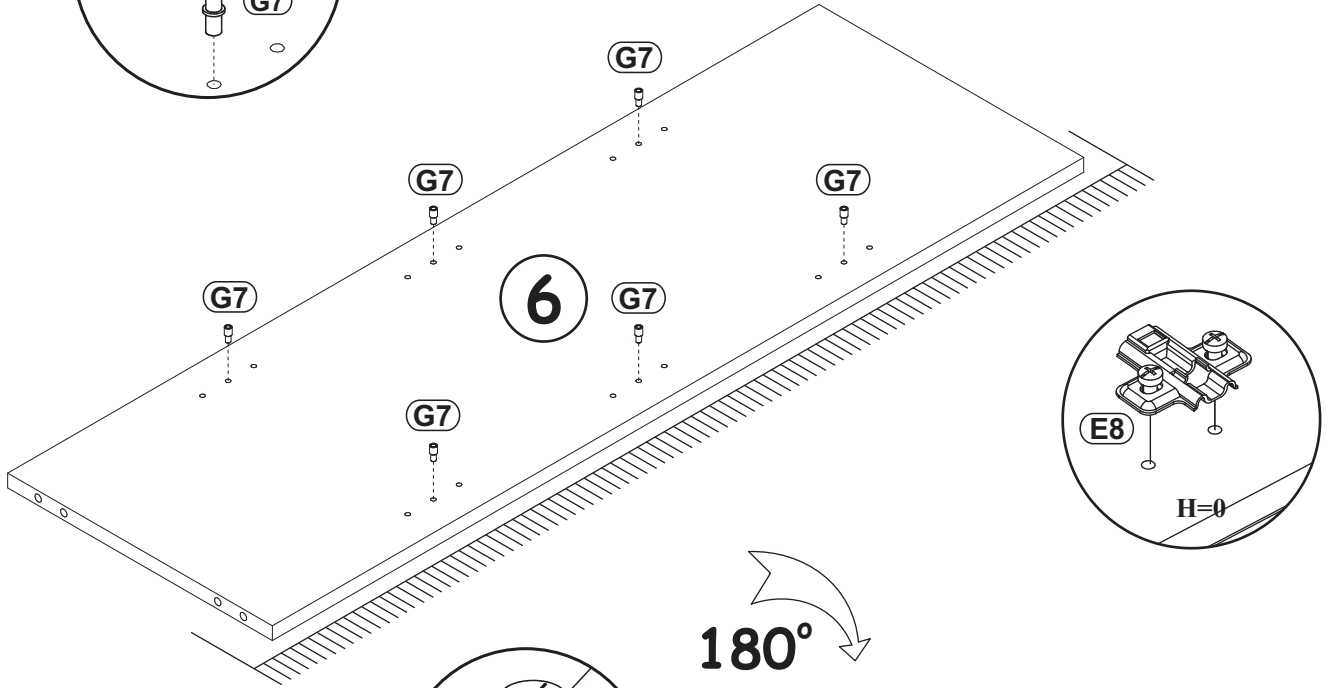
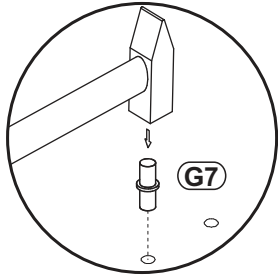
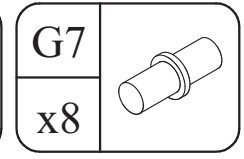
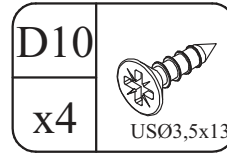
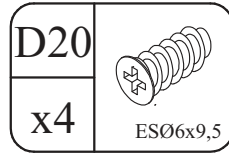
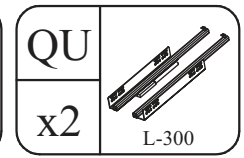
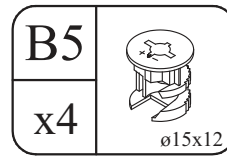
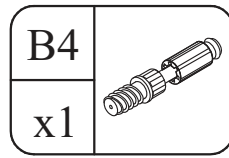
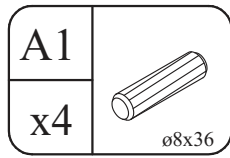
A1		G7		B5		E28	
x4	ø8x36	x6		x4	ø15x12	x3	H=0



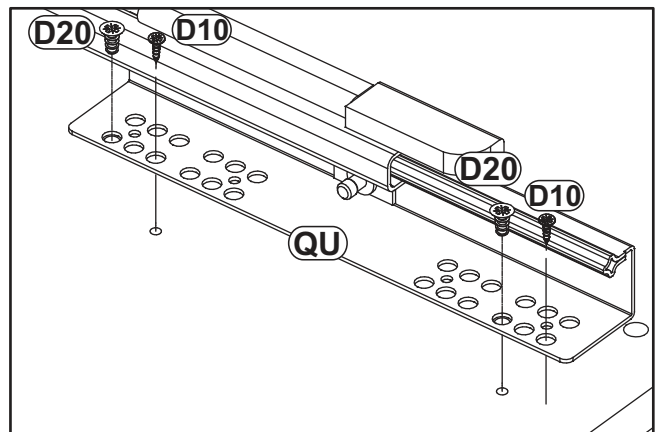
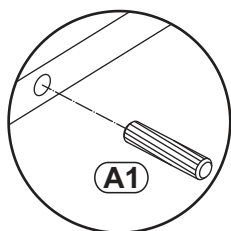
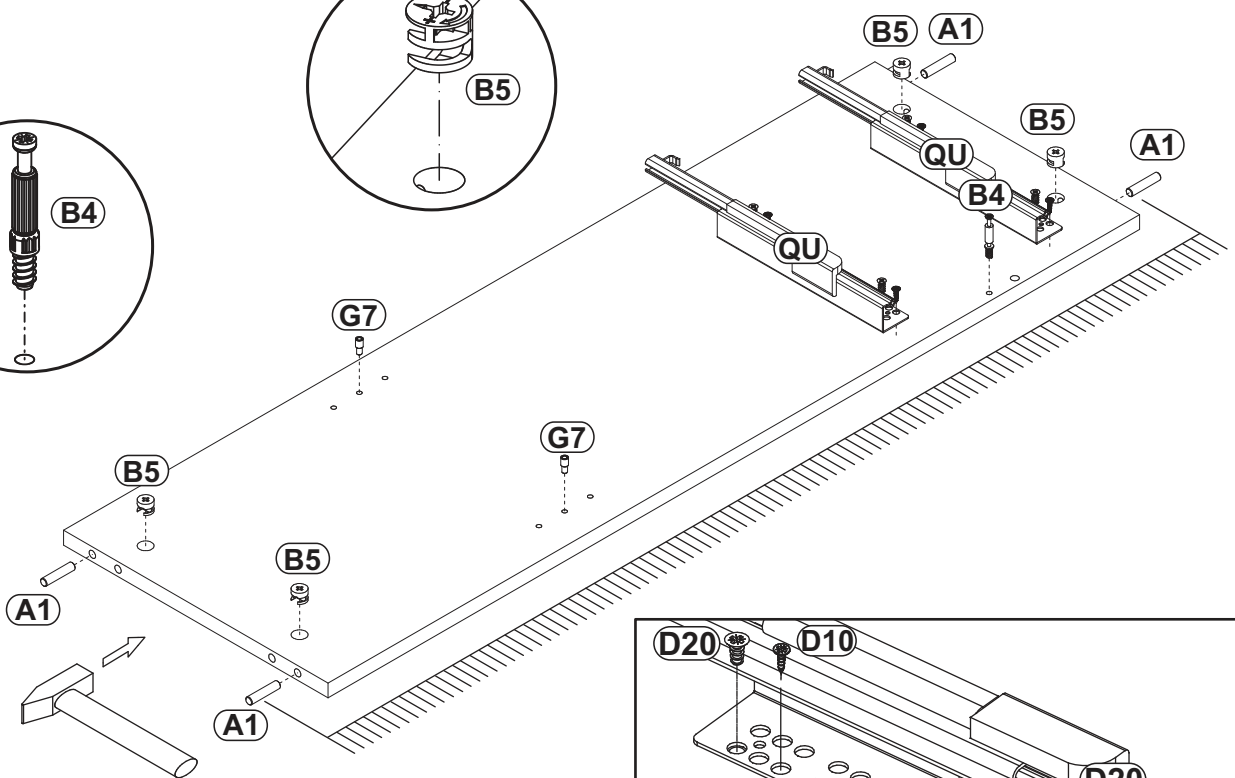
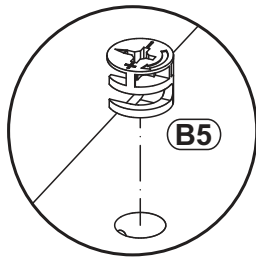
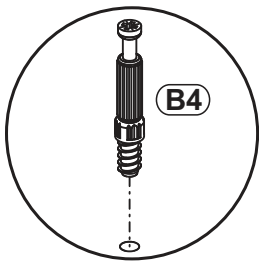
3



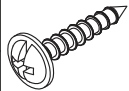
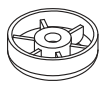
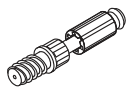
4

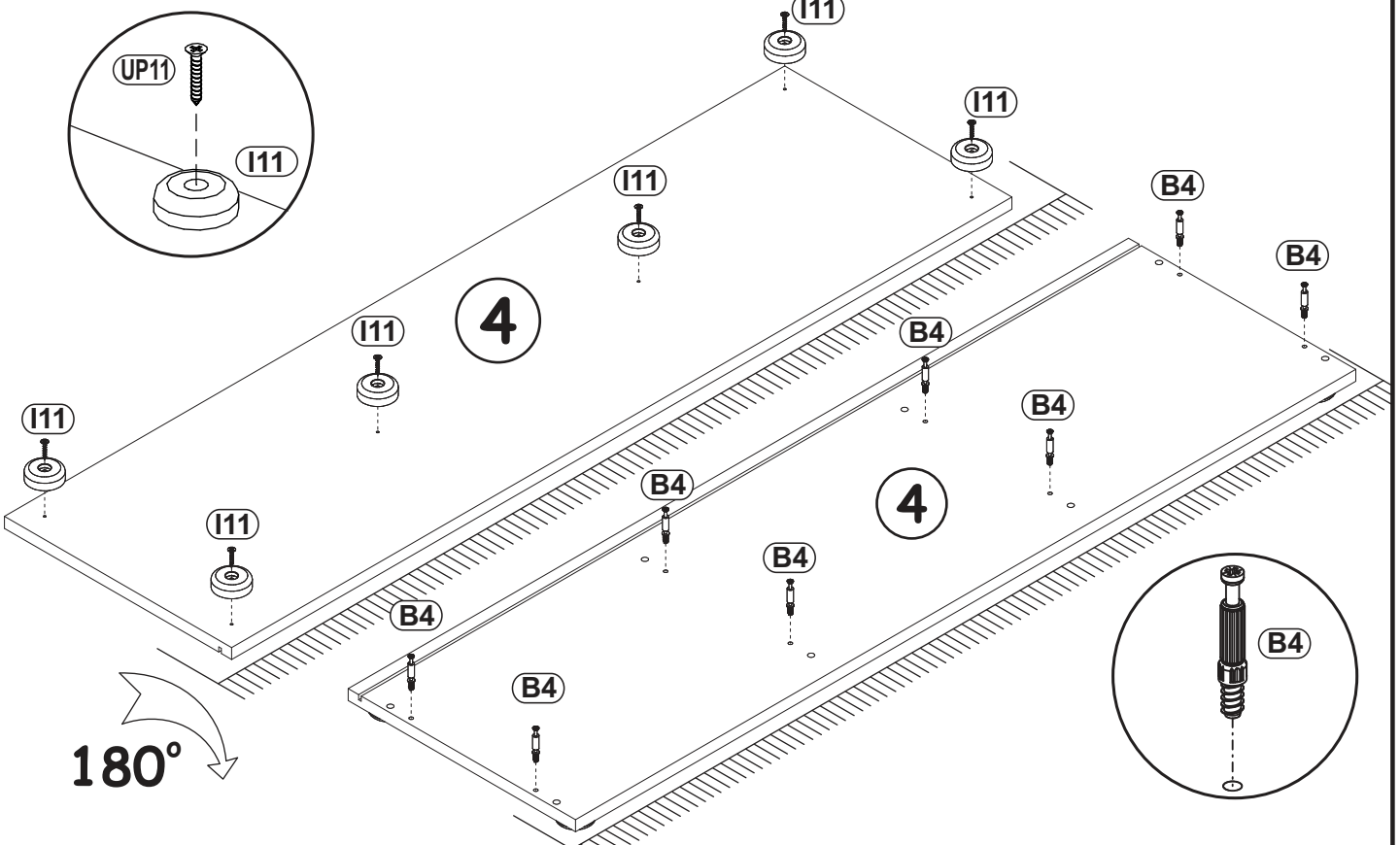


180°

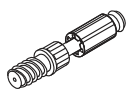


5

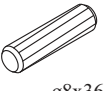
UP11		I11		B4	
x6	UPØ4x20	x6	Ø45, h=15	x8	

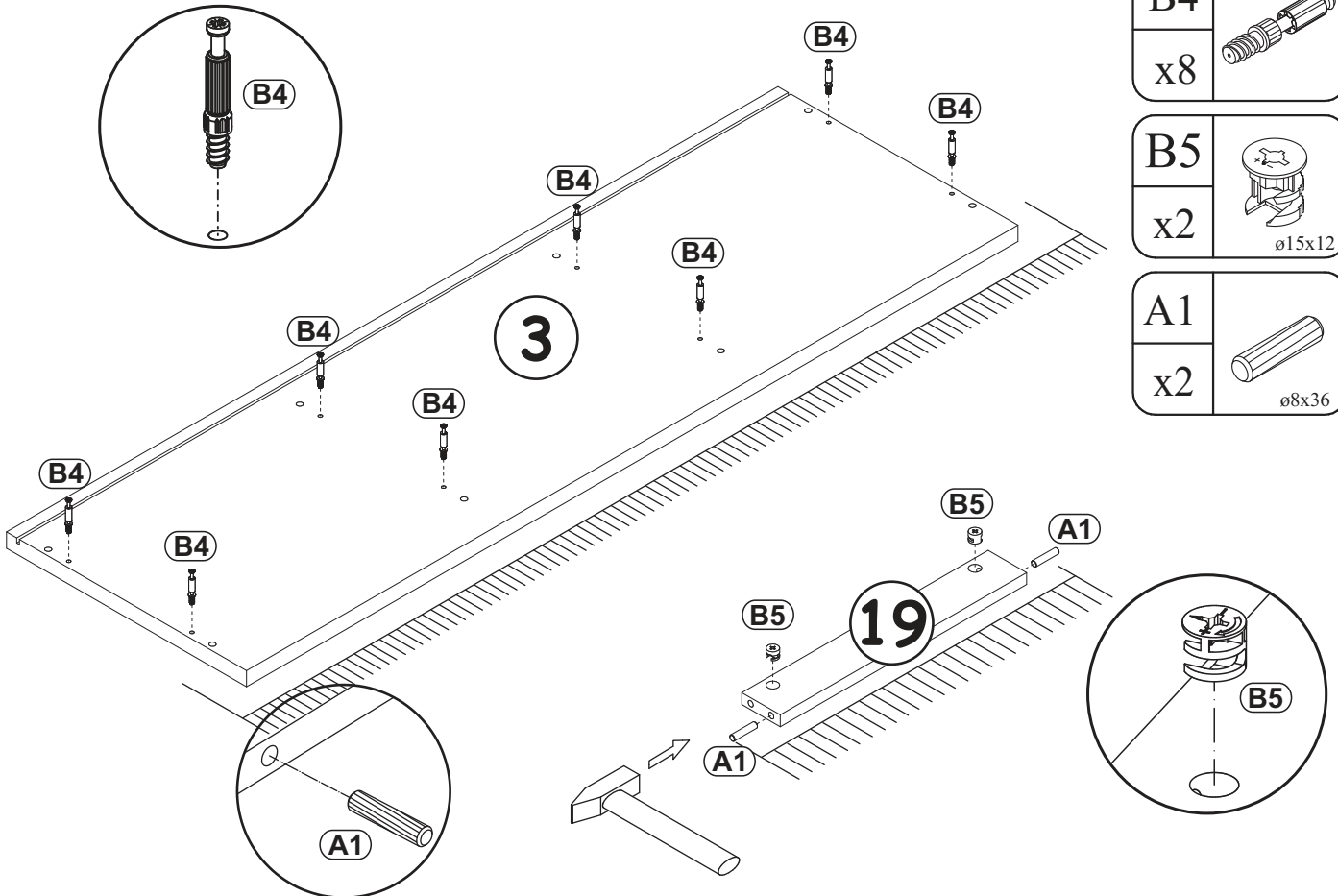


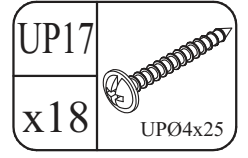
6

B4	
x8	

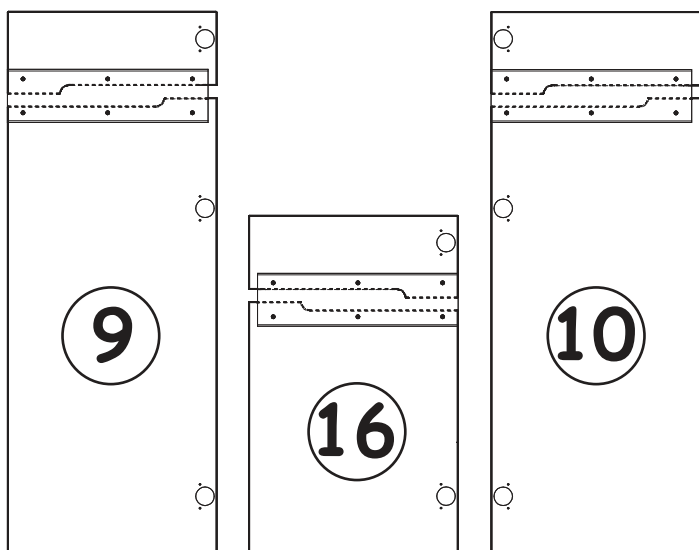
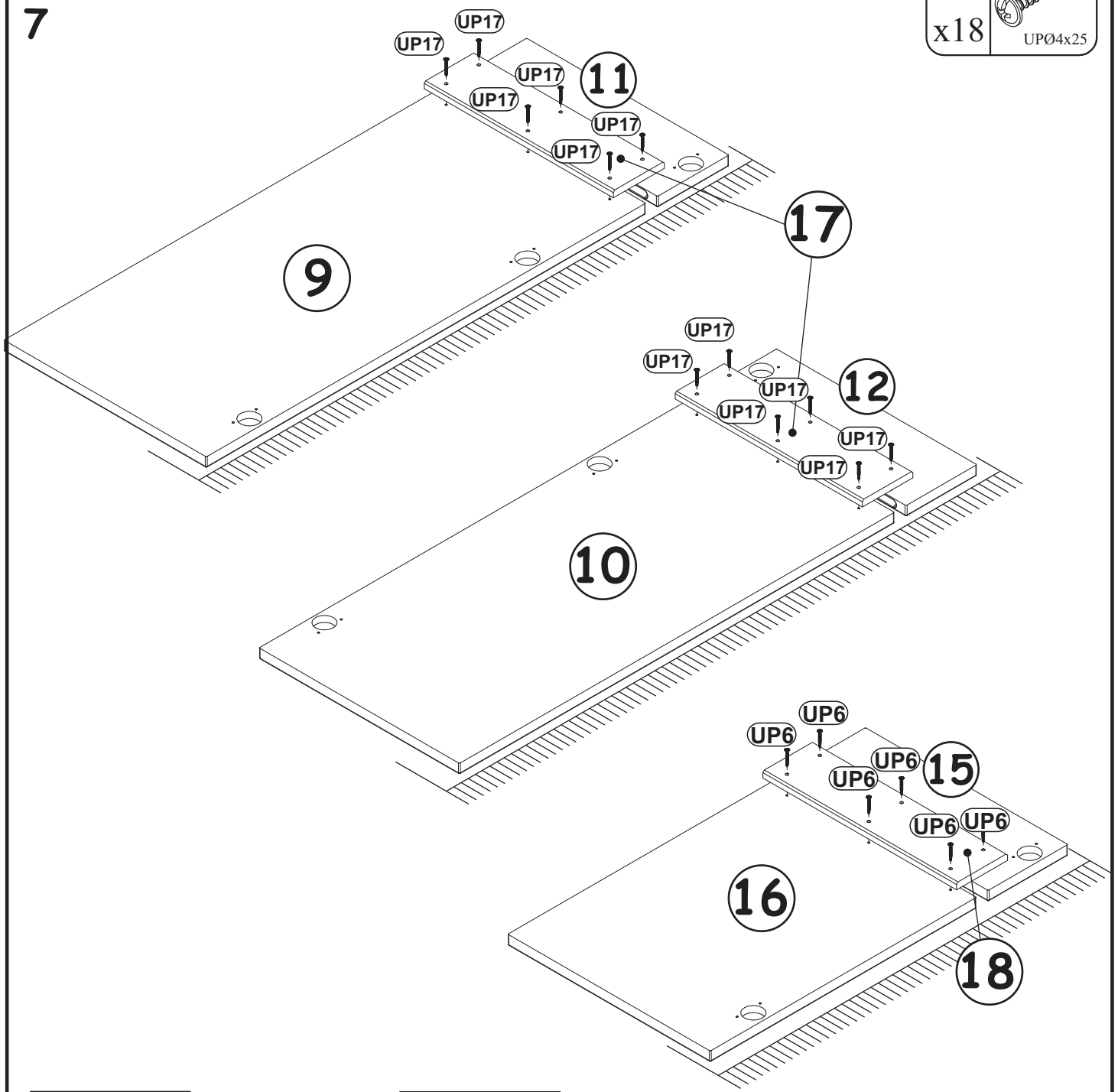
B5	
x2	Ø15x12

A1	
x2	Ø8x36

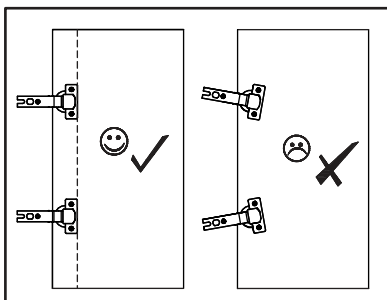
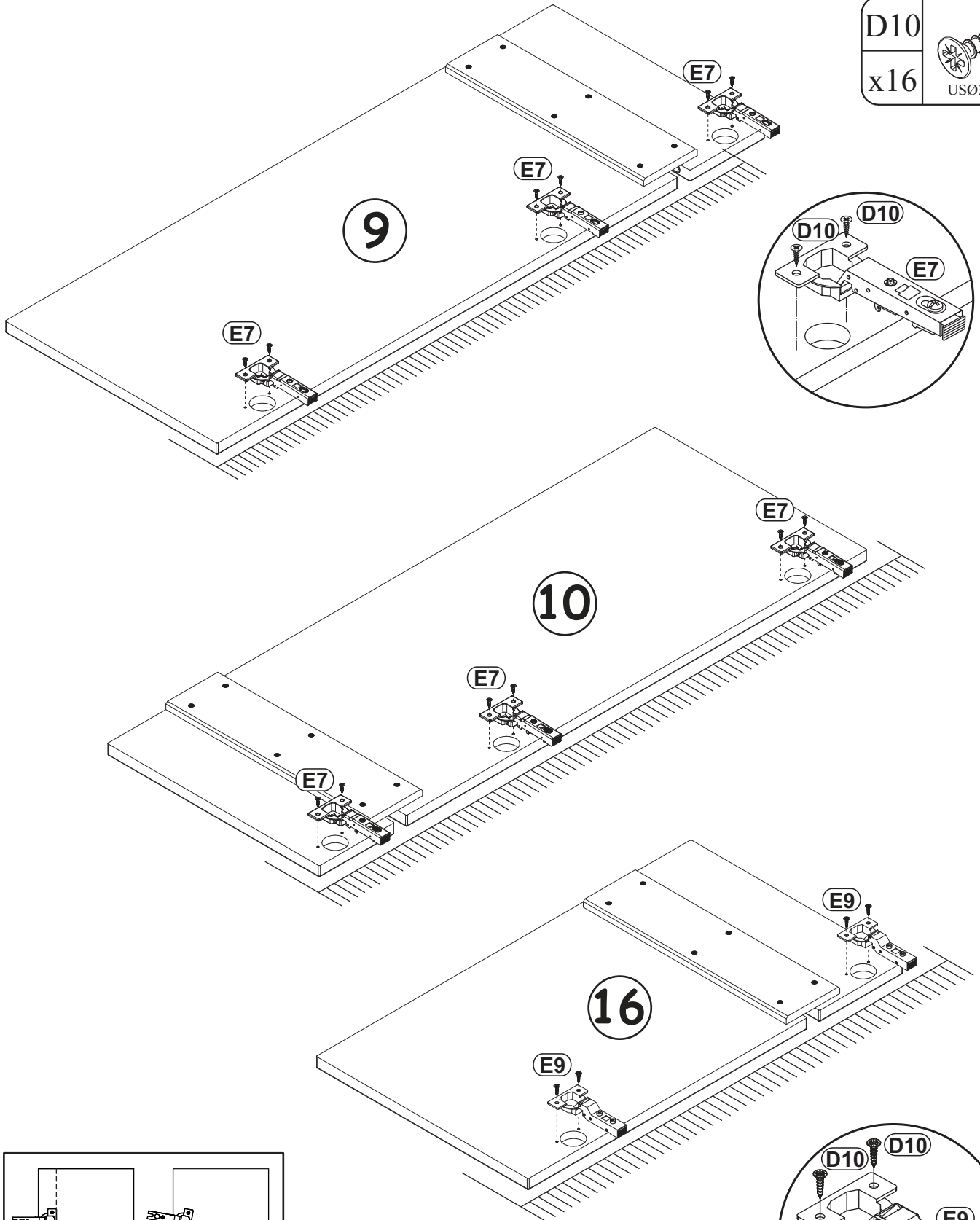
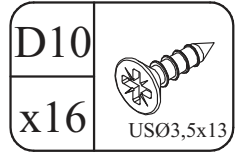
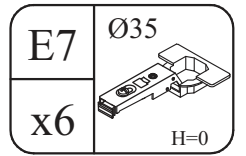
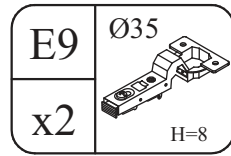




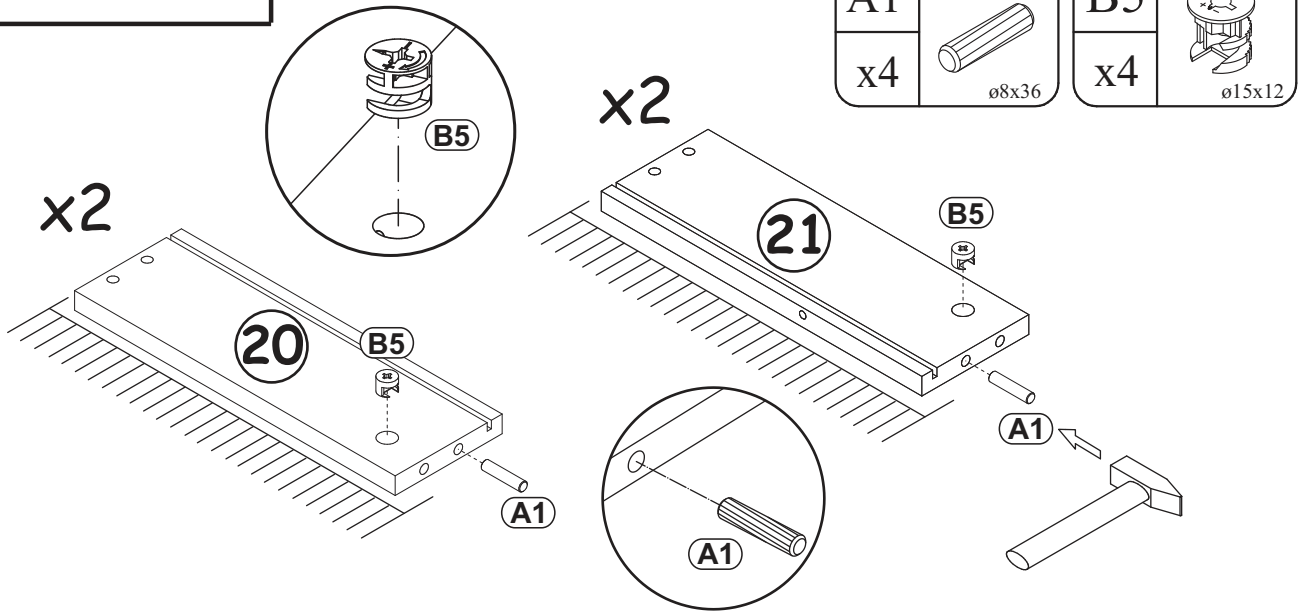
7



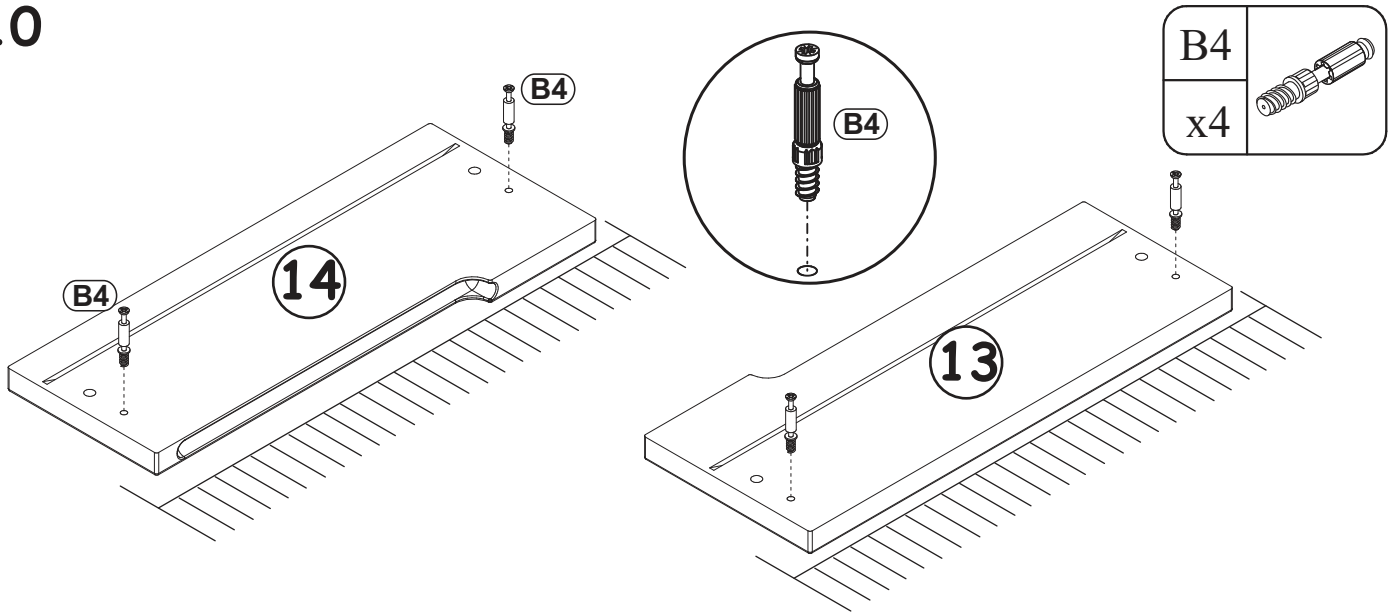
8



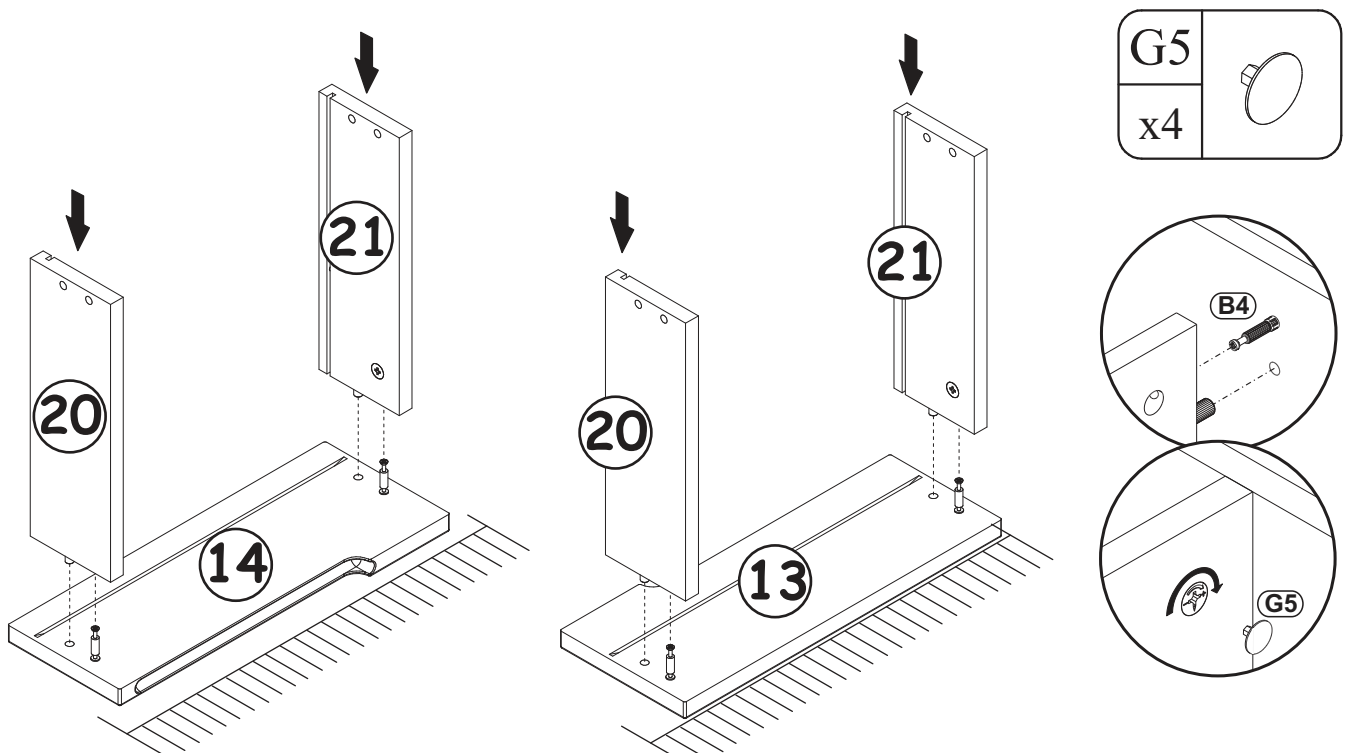
9



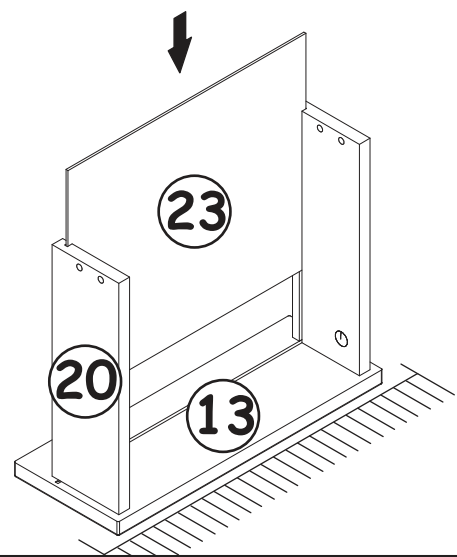
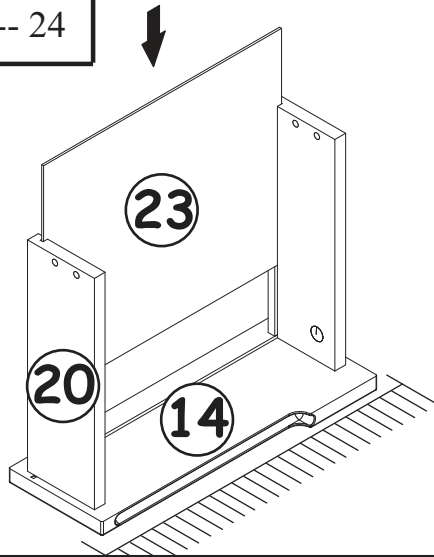
10



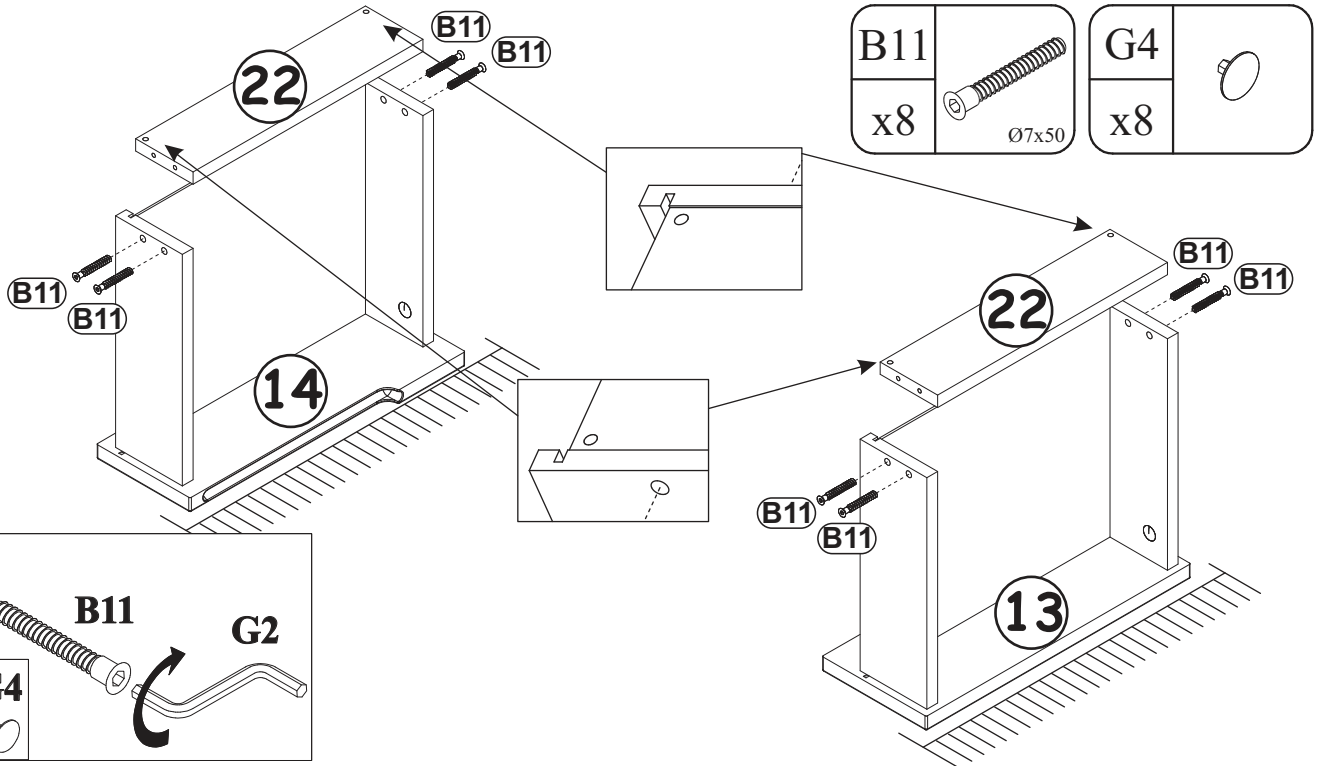
11



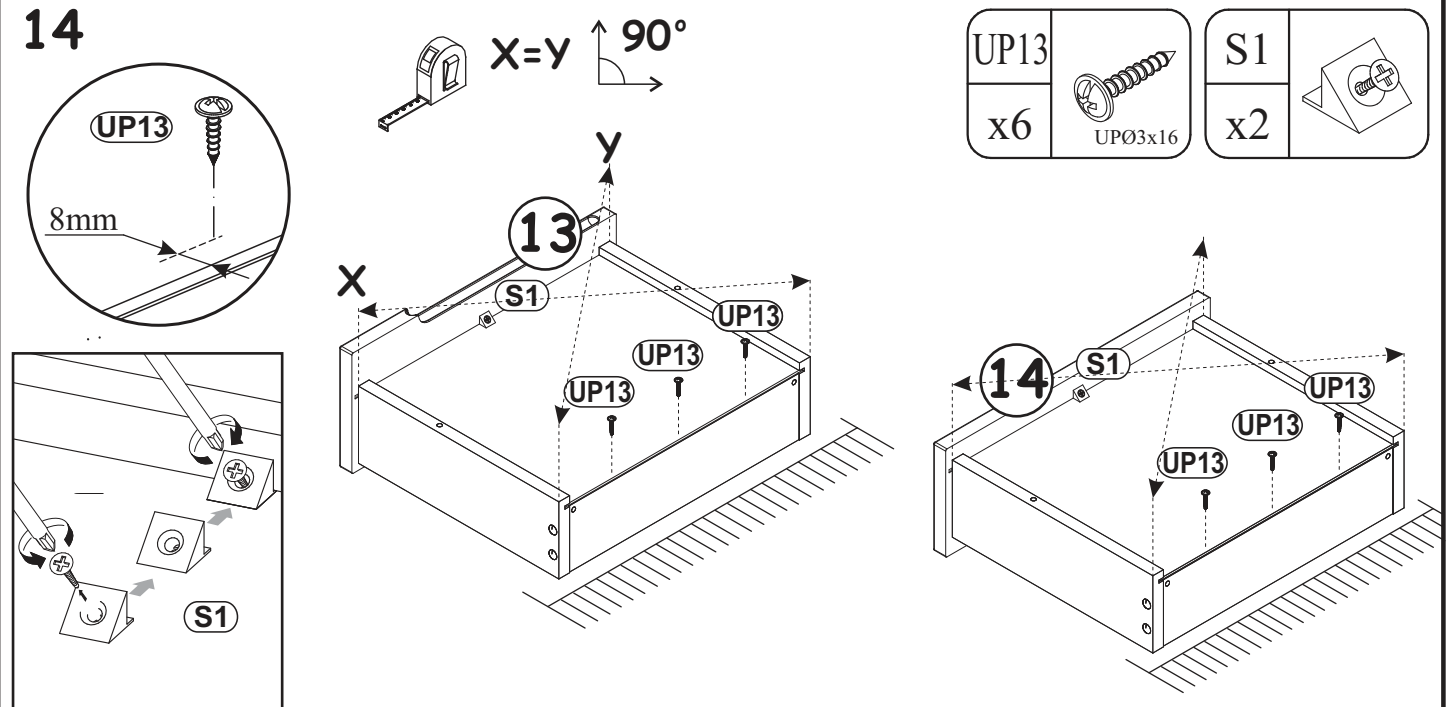
12




13

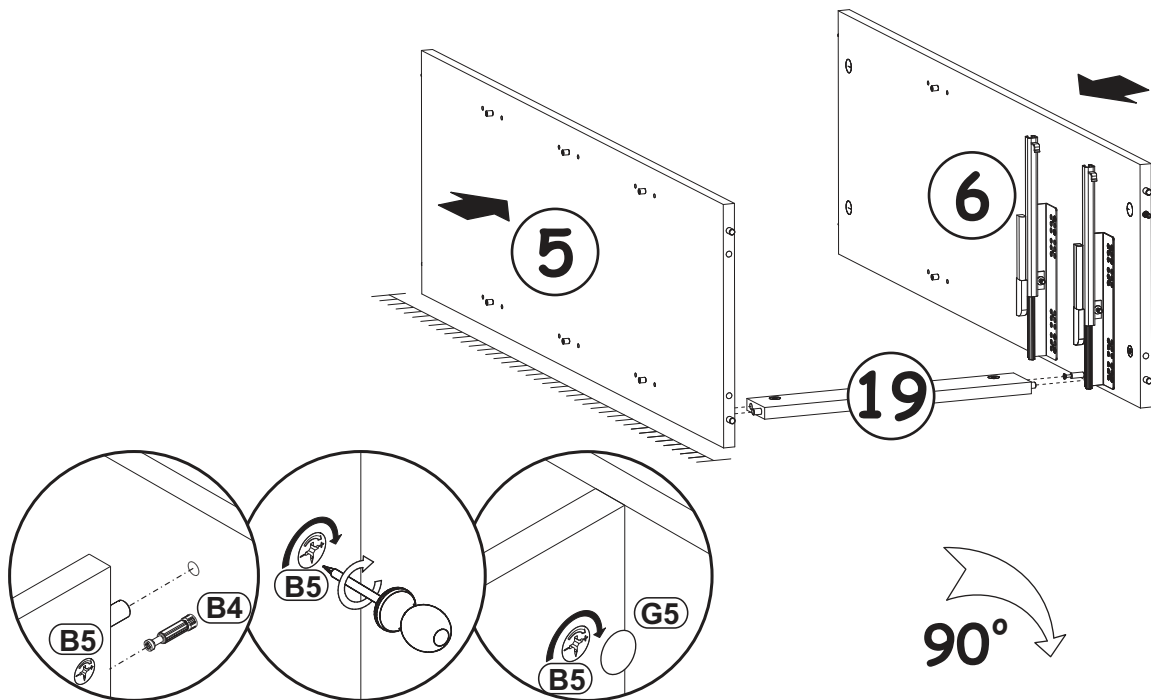


14




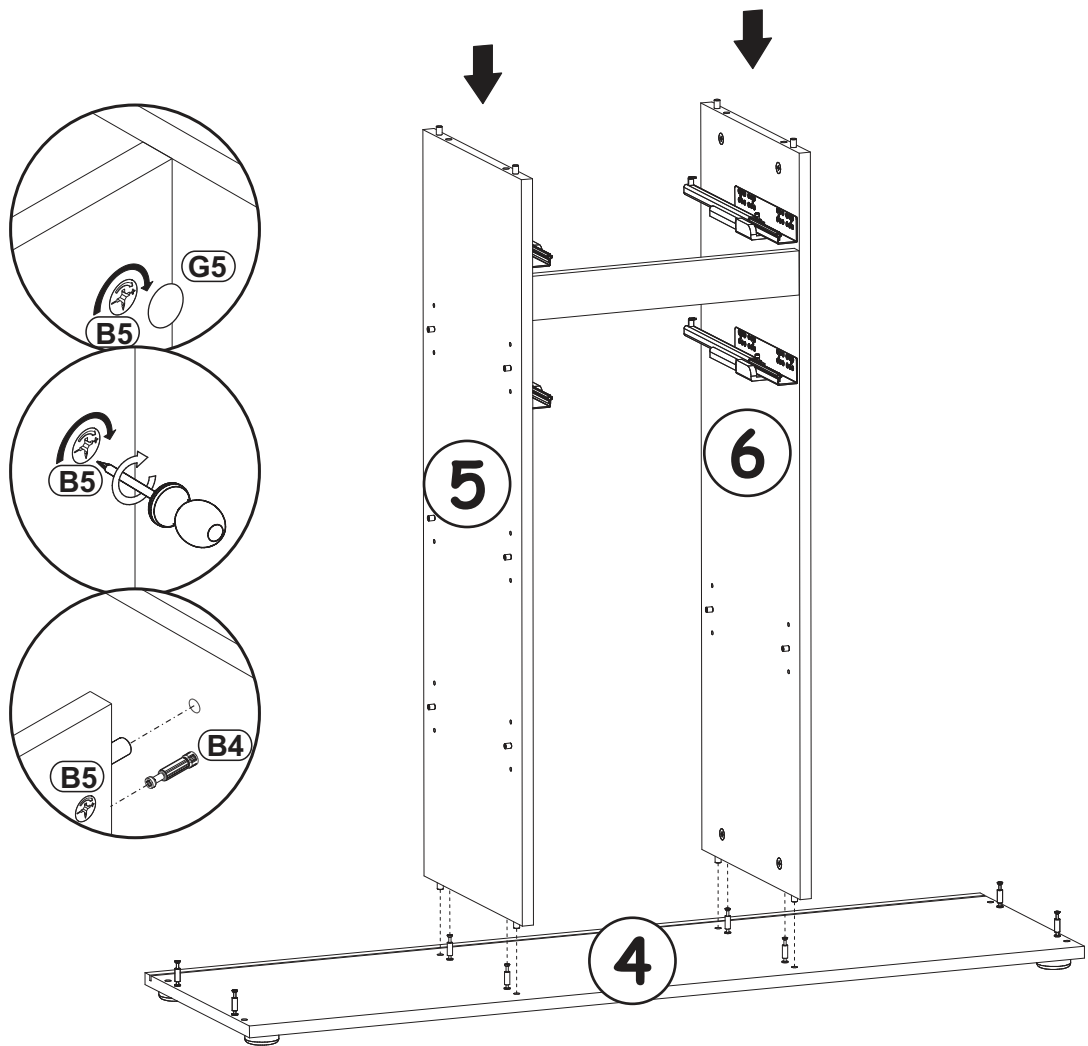
15

G5	
x2	

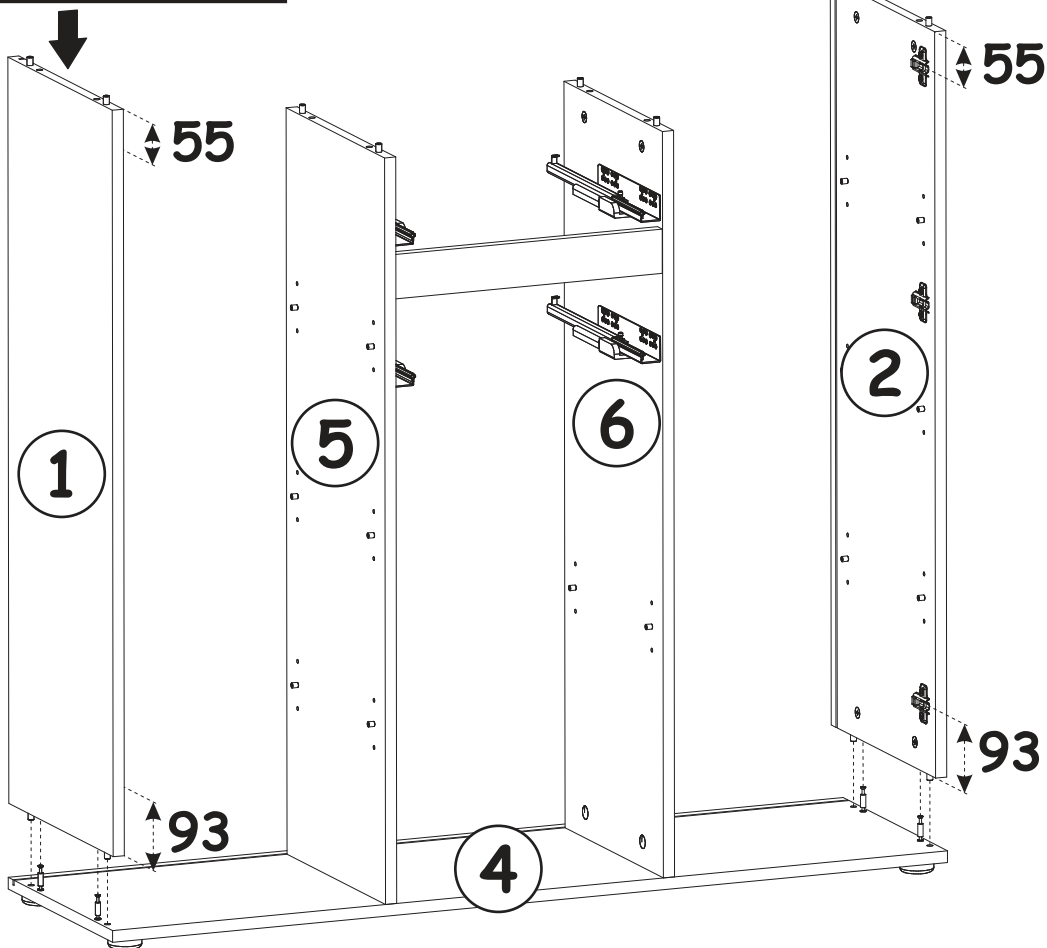



16

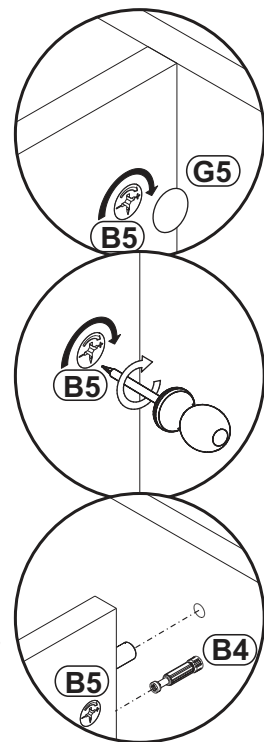
G5	
x4	



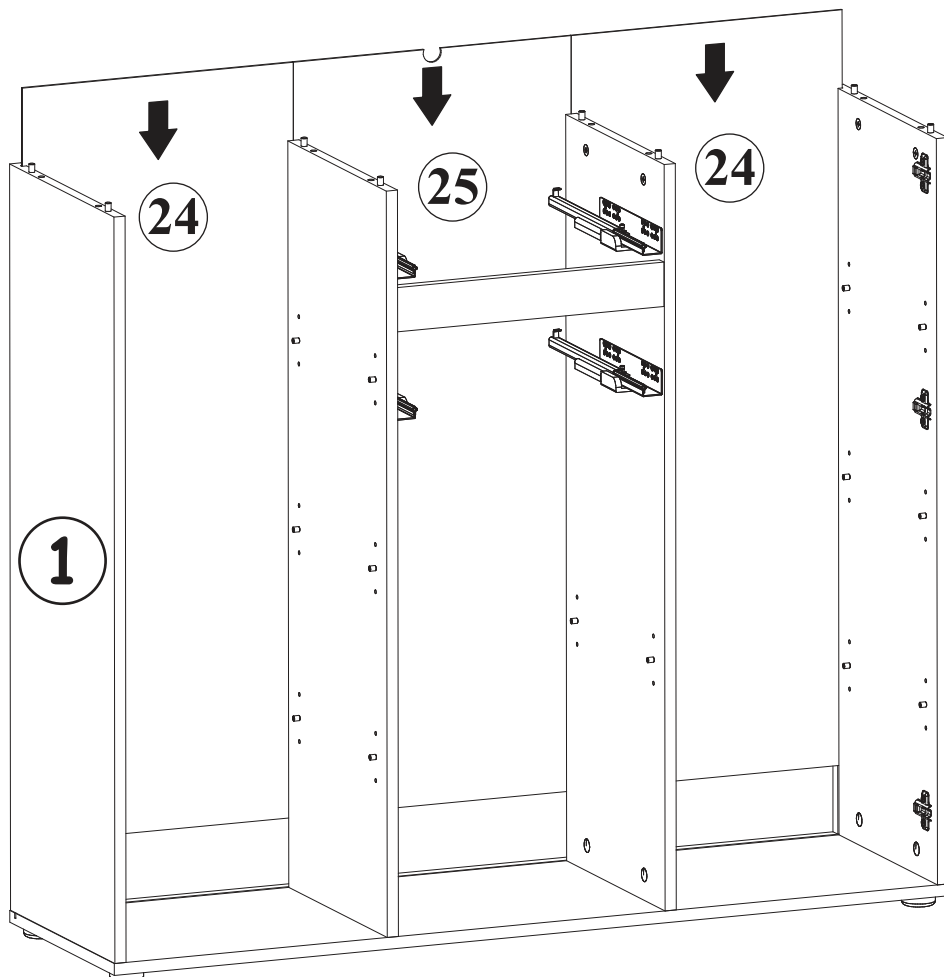
17




G5	
x4	

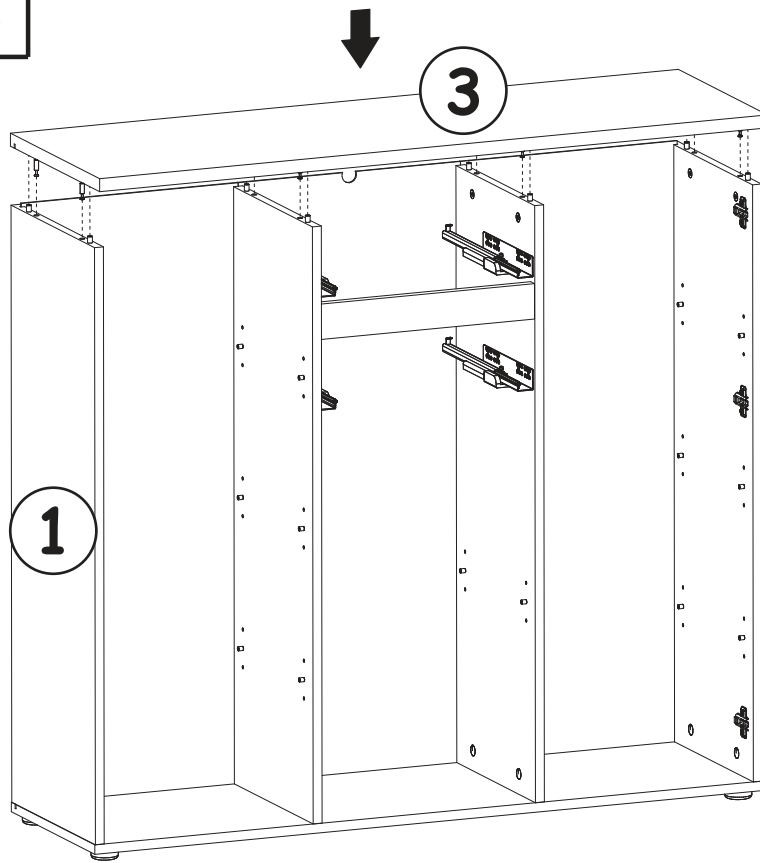
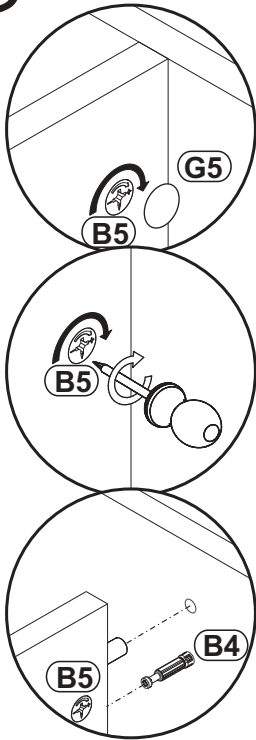


18



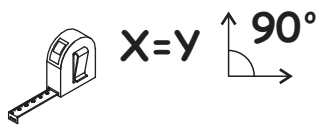
19


G5	
x8	

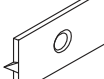


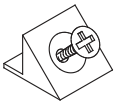
90°

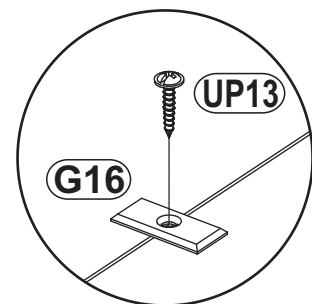
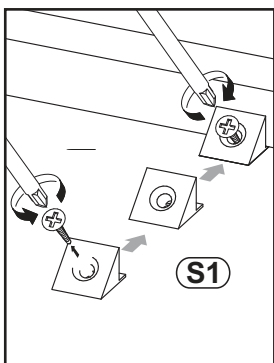
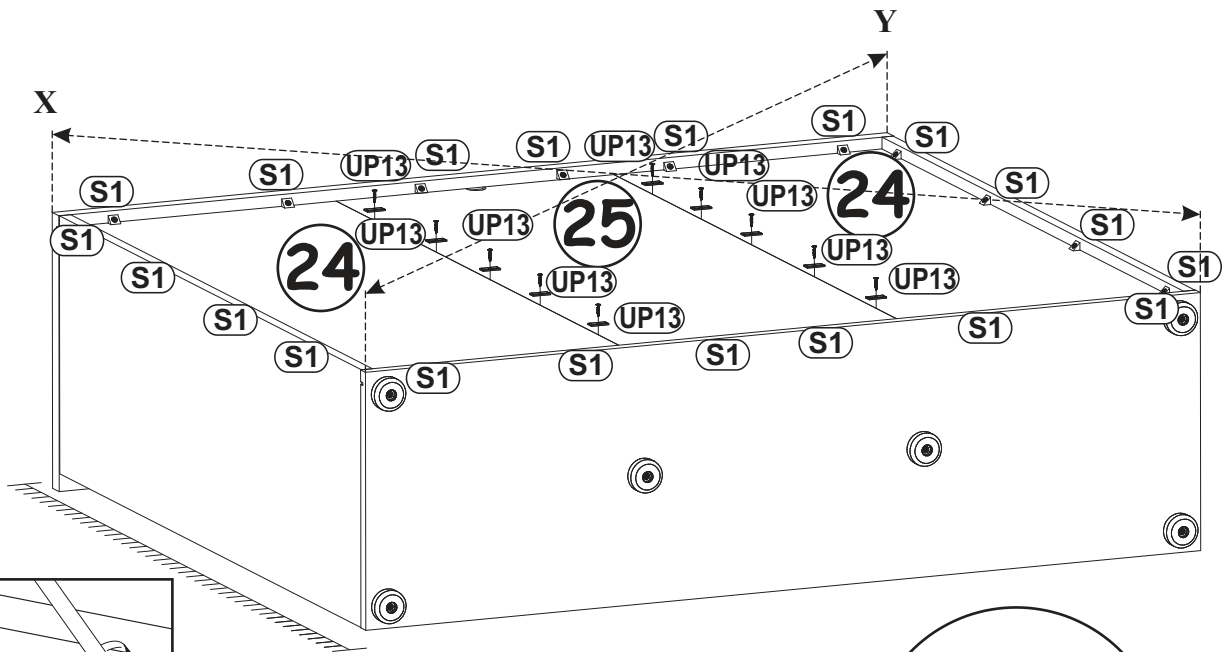
20



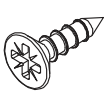
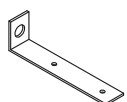

UP13	
x10	UPØ3x16

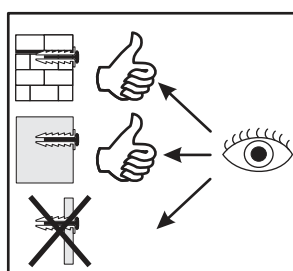
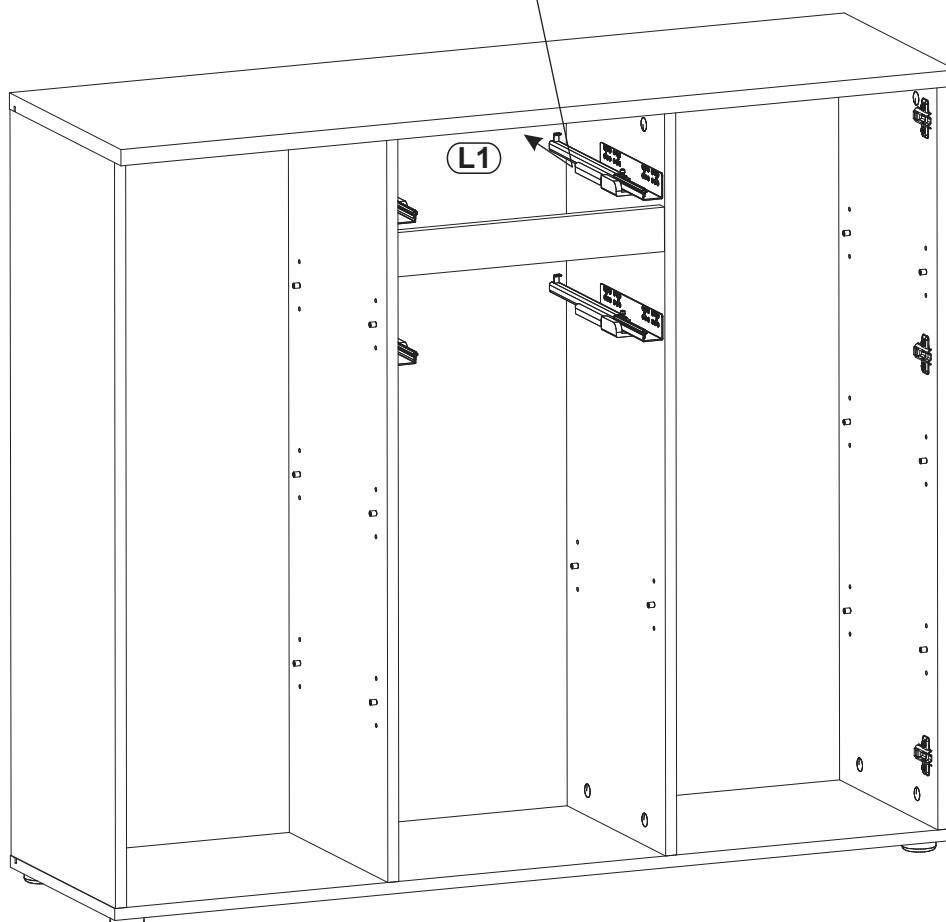
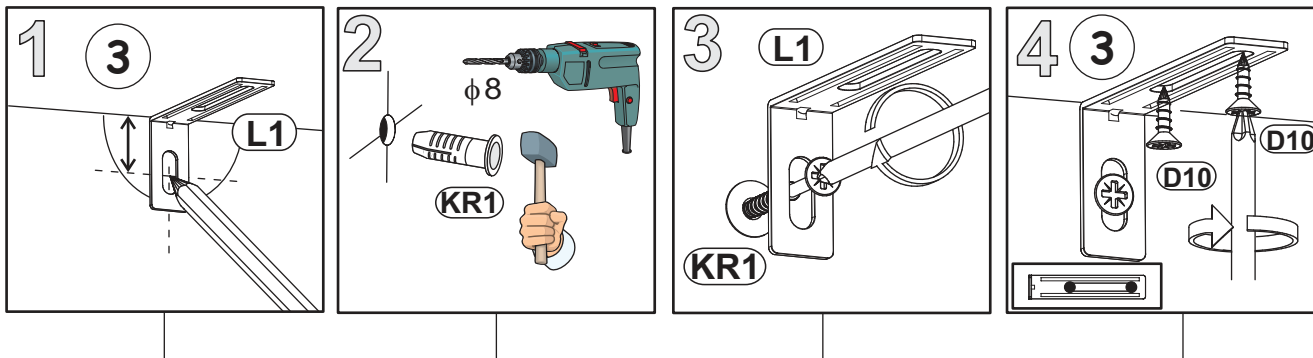
G16	
x10	

S1	
x20	

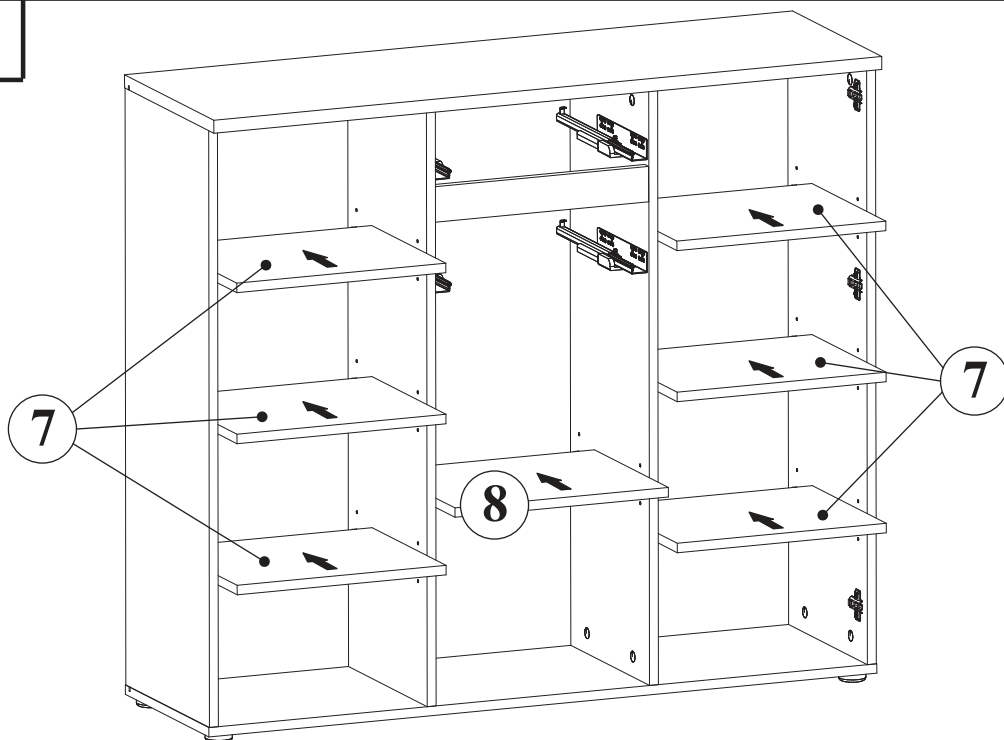


21

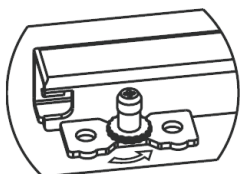
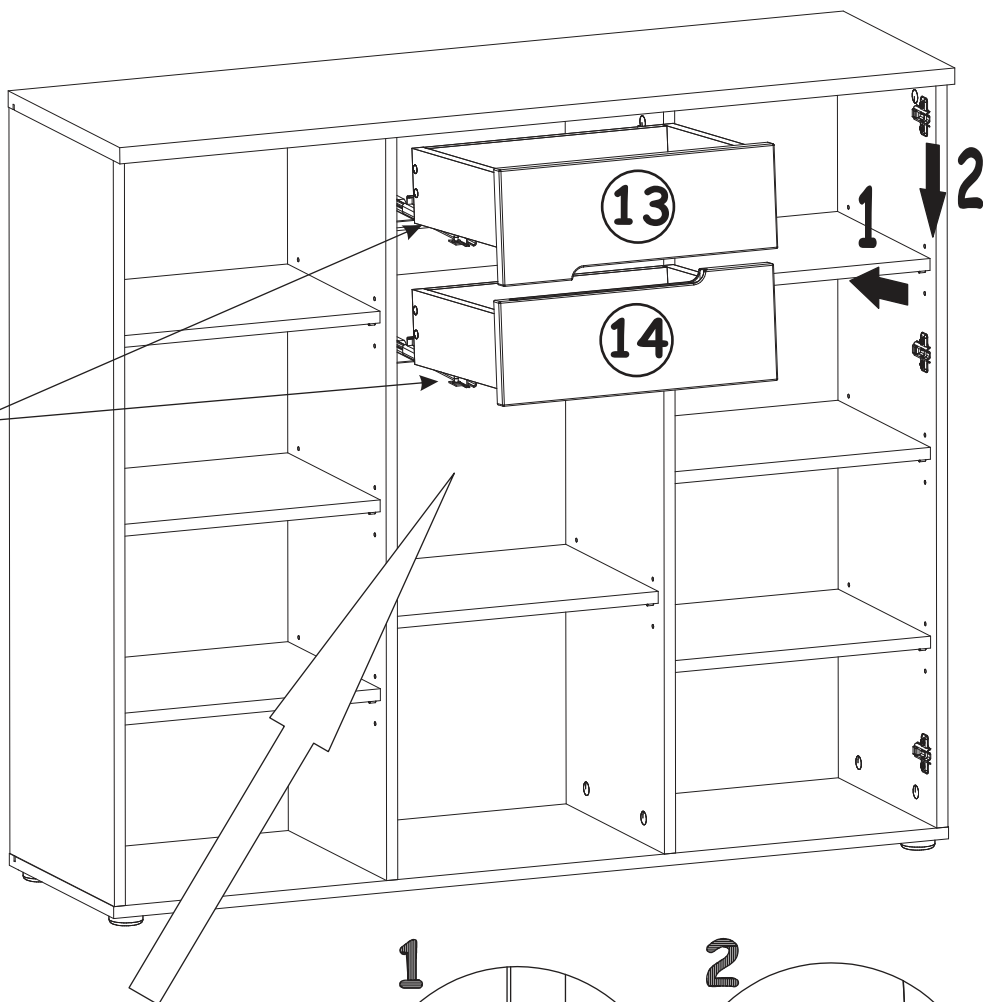
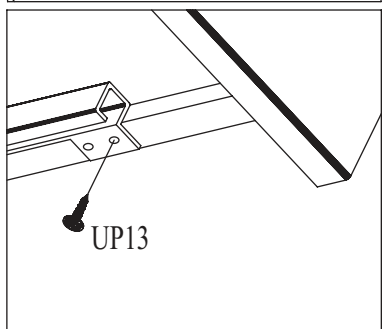
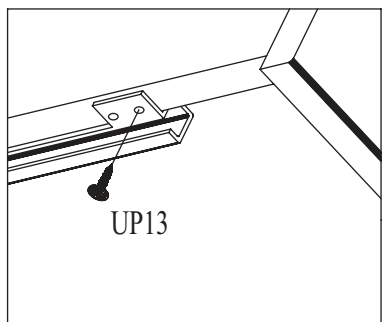
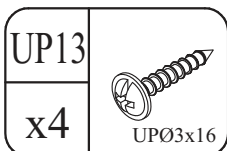
D10		L1		KR1	
x2	USØ3,5x13	x1		x1	



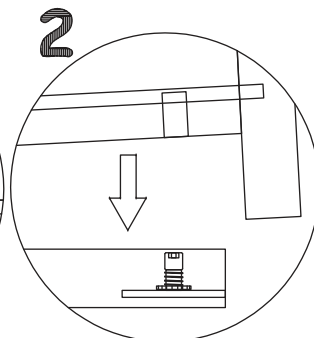
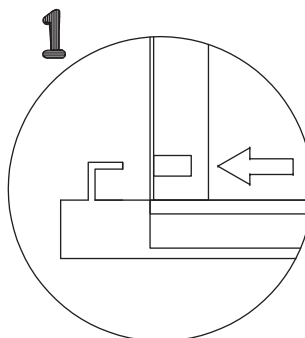
22



23



↑+4 mm



24

