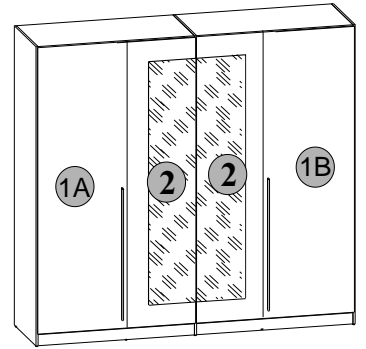
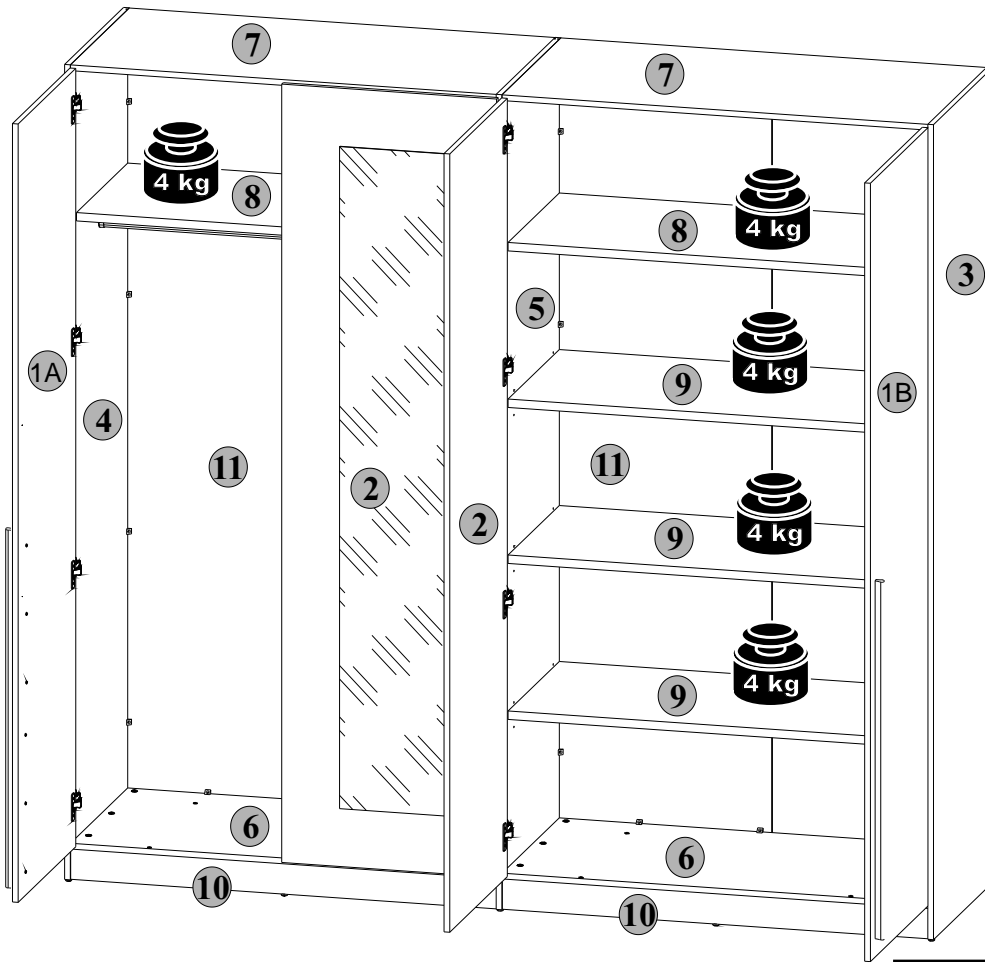
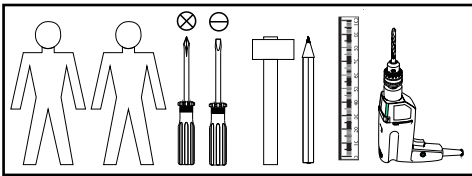


CANO

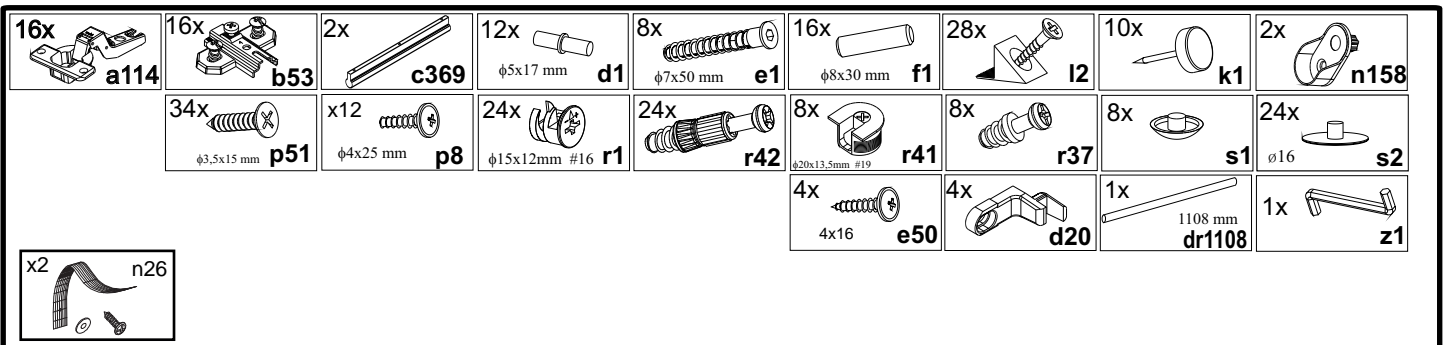
58-038-A5



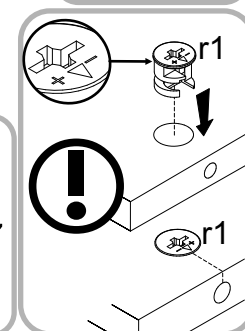
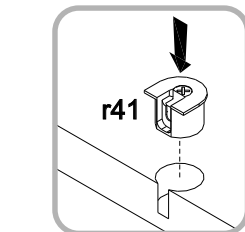
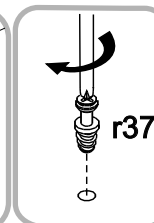
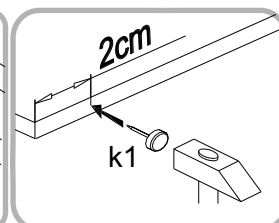
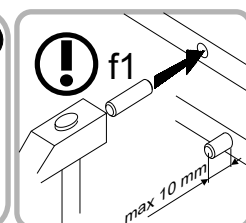
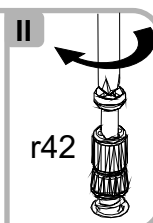
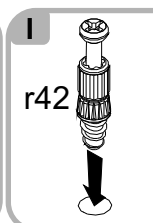
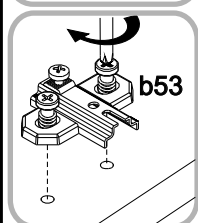
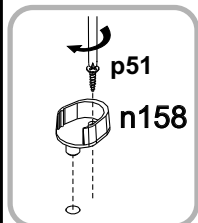
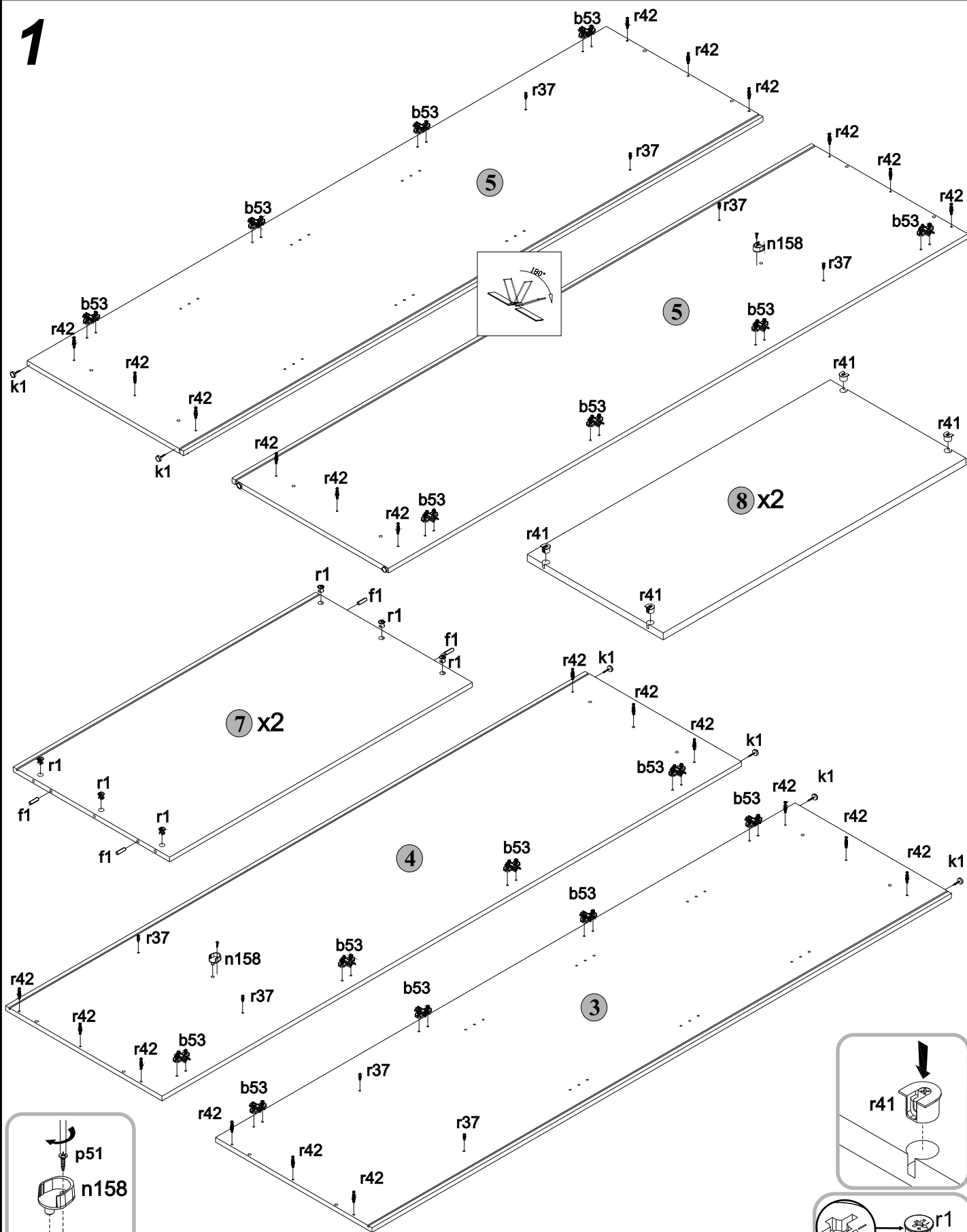
A	B	C	D
1A+1B	L21-007	2050x642x15	4/5
2	L21-006A	2050x482x18	5/5
3	L21-107A	2132x576x15	1/5
4	L21-108	2132x576x15	1/5
5	L21-109A	2132x576x15	1/5
6	L21-305	1114x575x15	2/5
7	L21-306	1114x575x15	2/5
8	L21-307A	1114x500x22	3/5
9	L21-308	1114x500x22	3/5
10	L21-402	1114x80x15	2/5
11	L21-904A	2029x1123x2,5	1/5



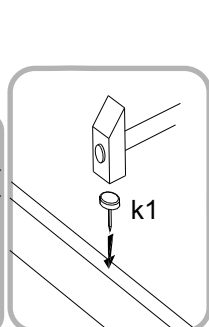
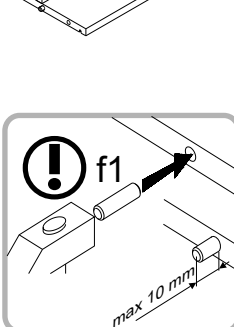
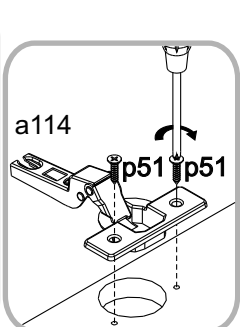
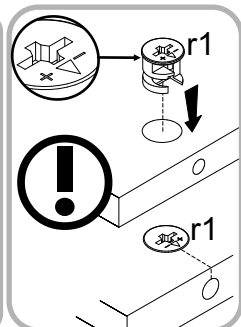
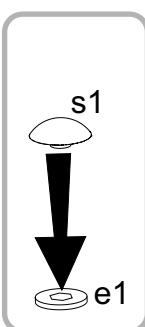
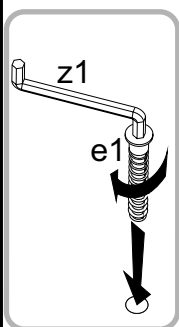
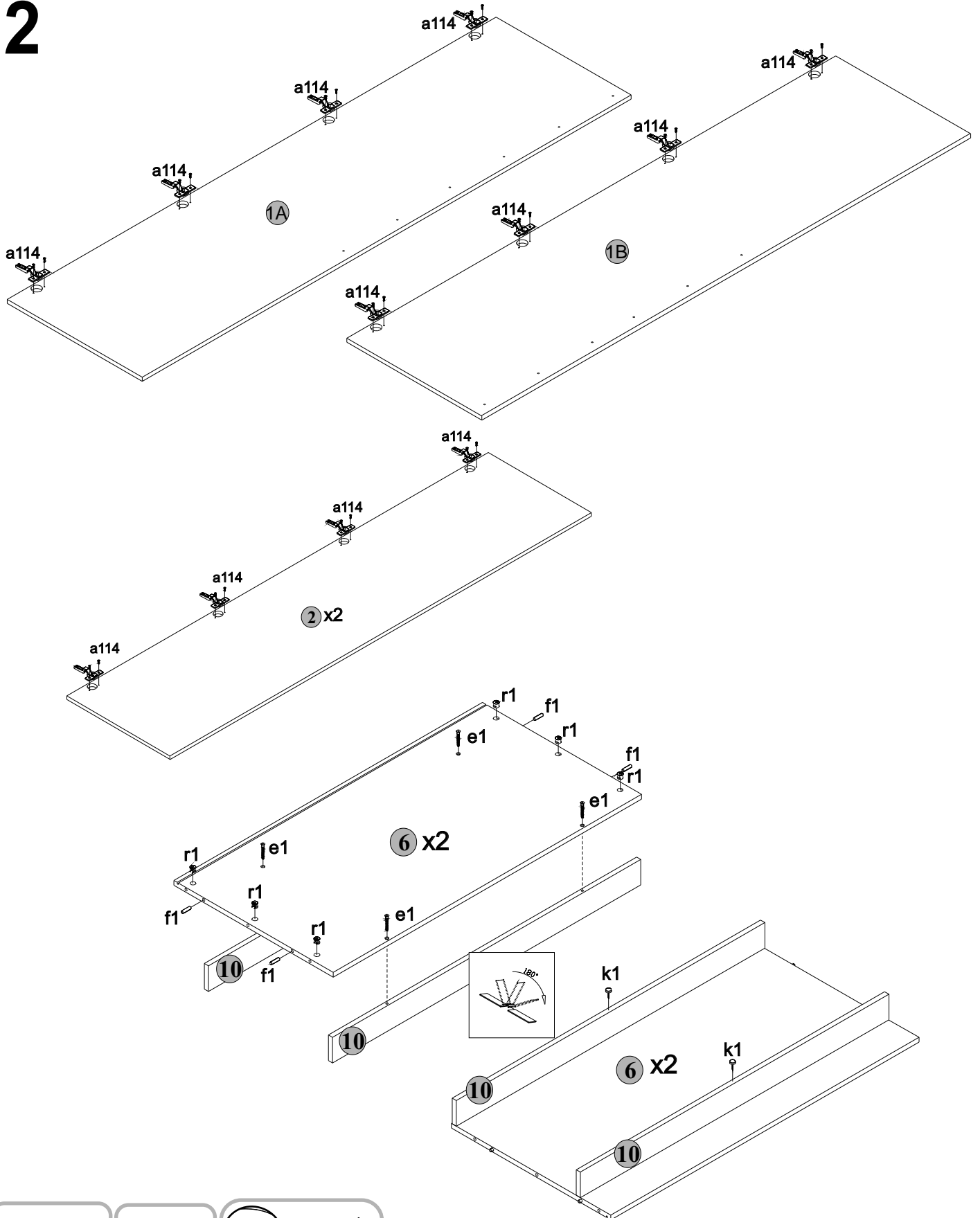
120min



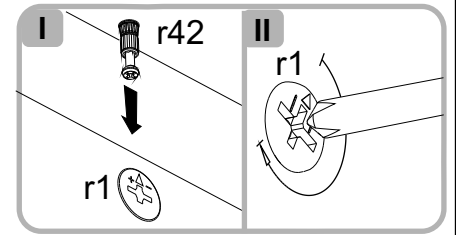
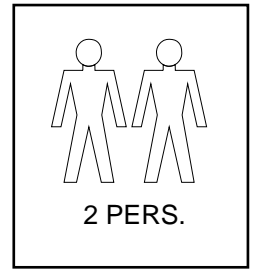
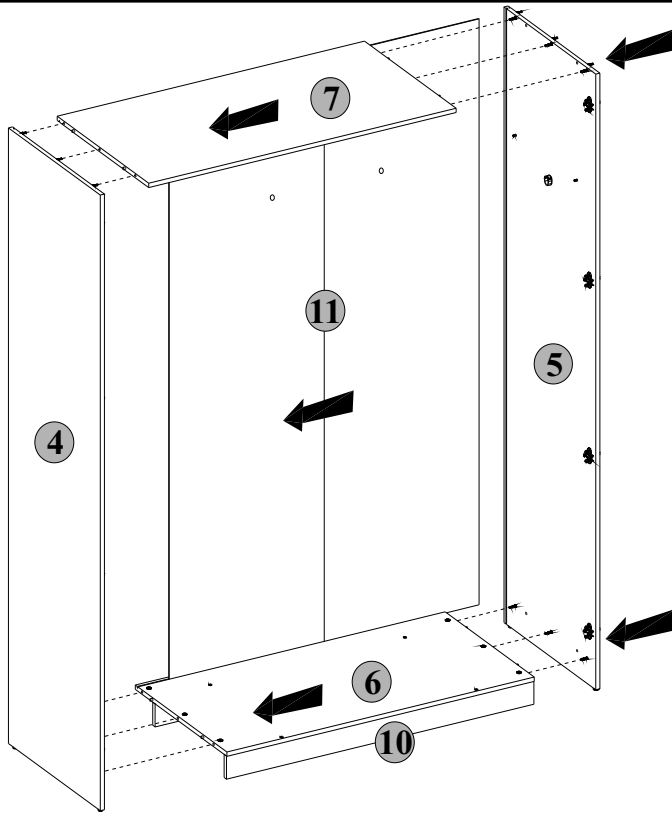
1



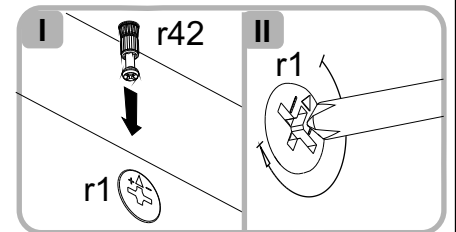
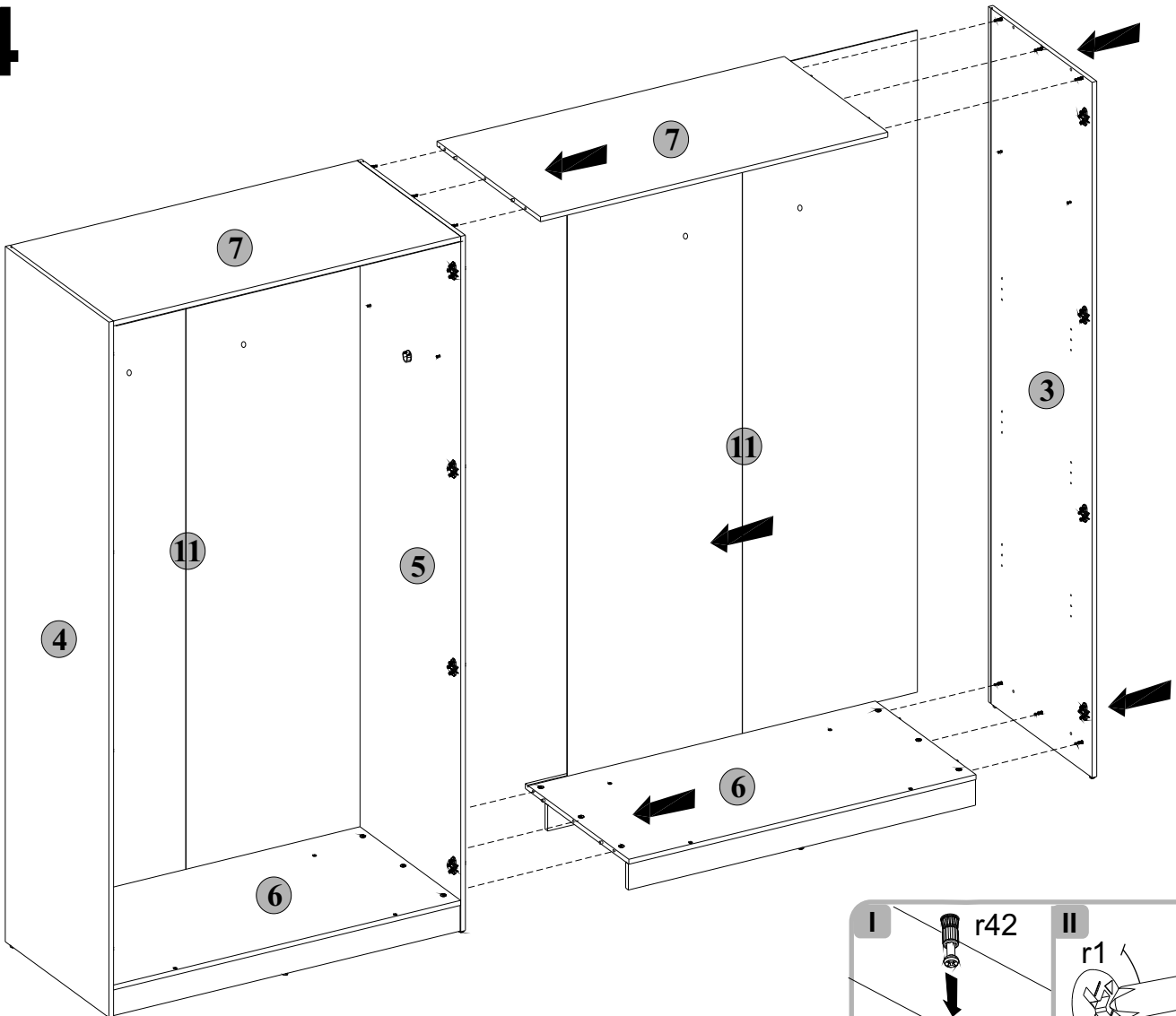
2



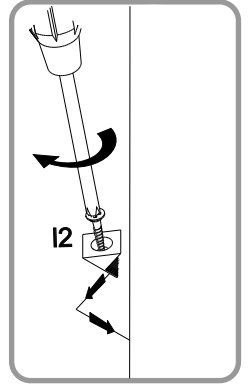
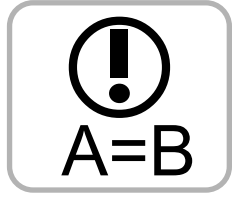
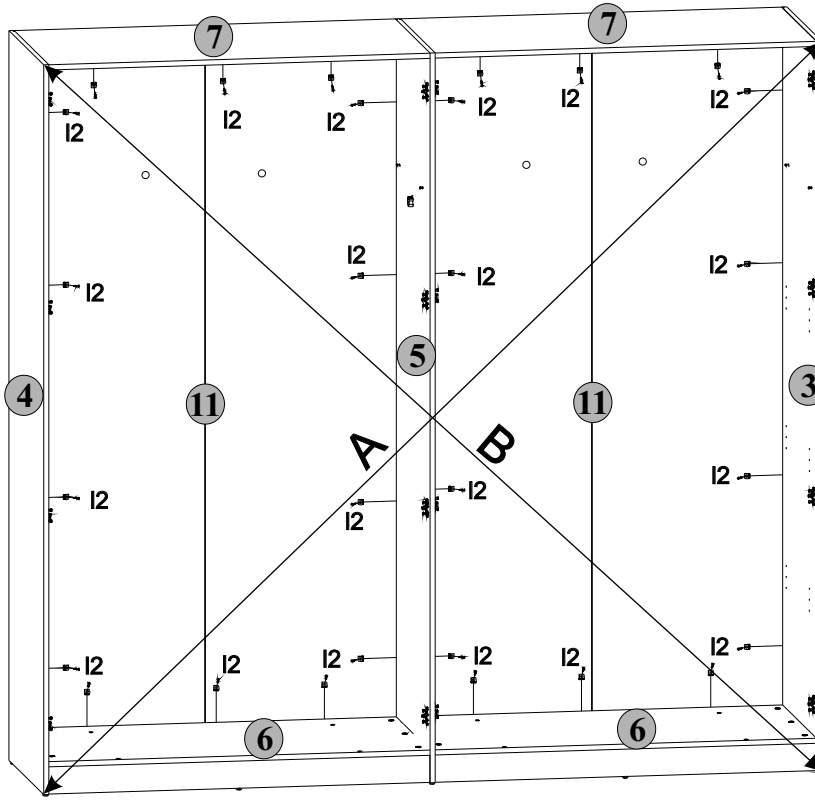
3



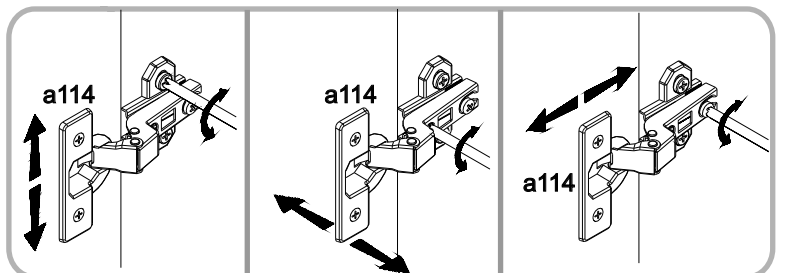
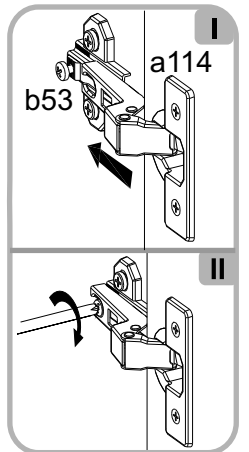
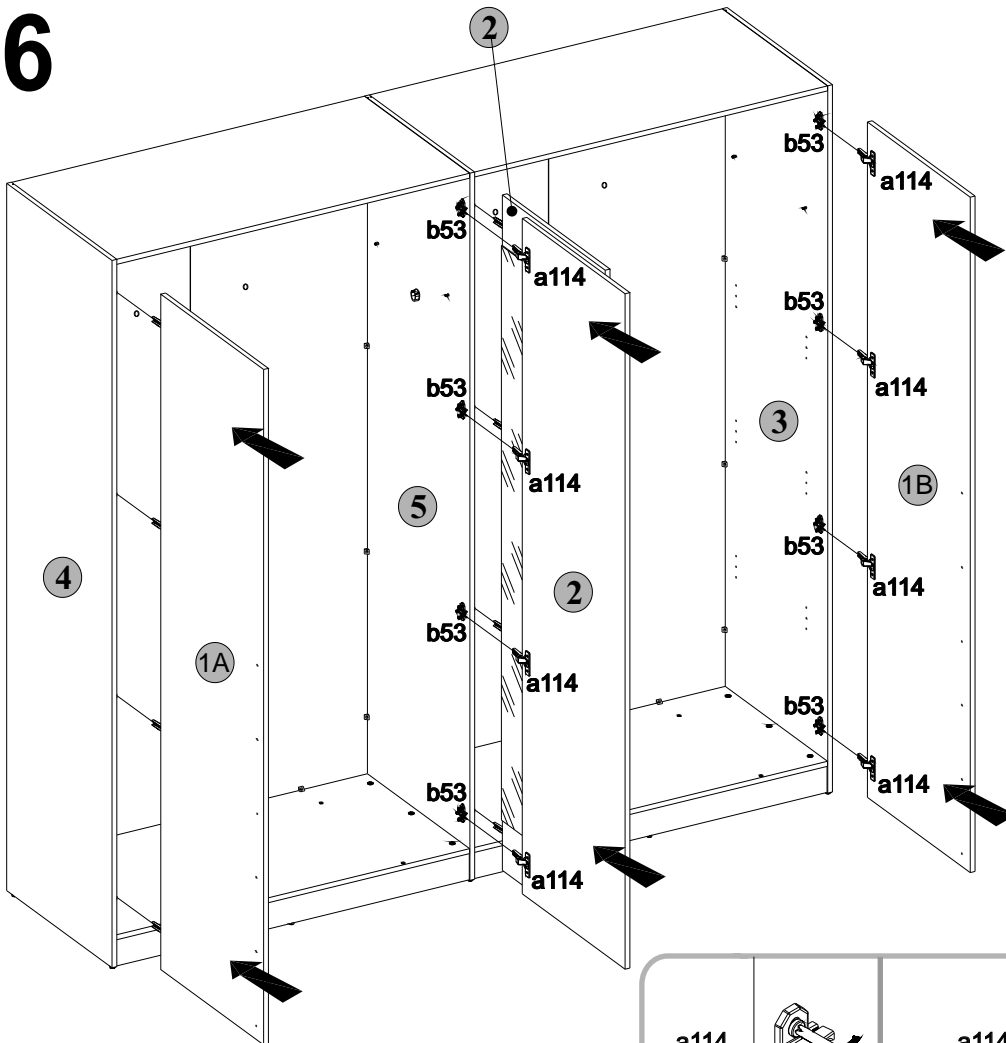
4



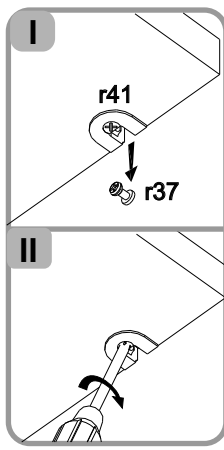
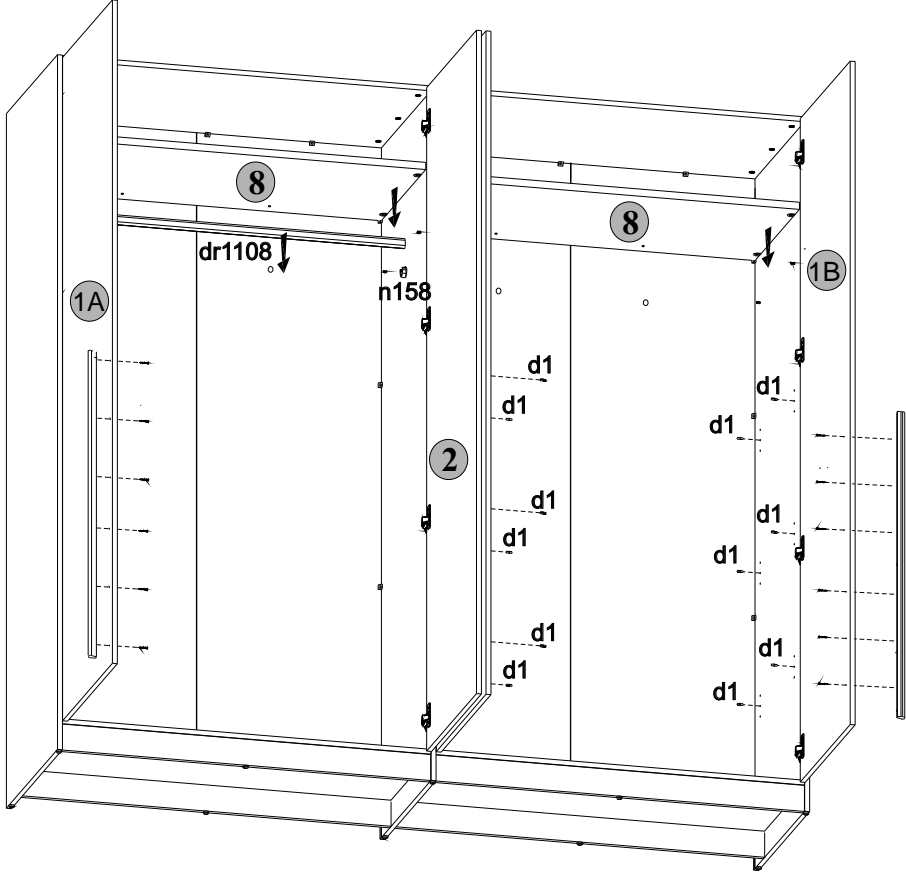
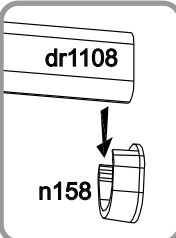
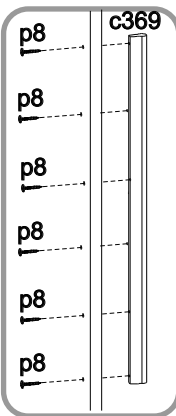
5



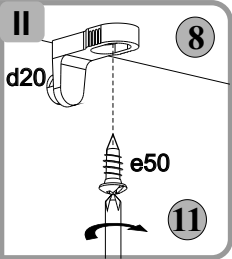
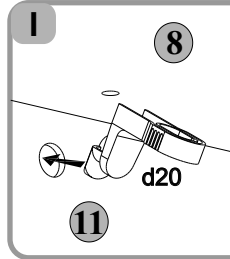
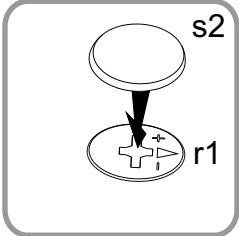
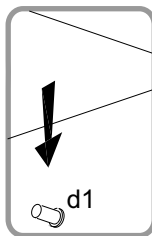
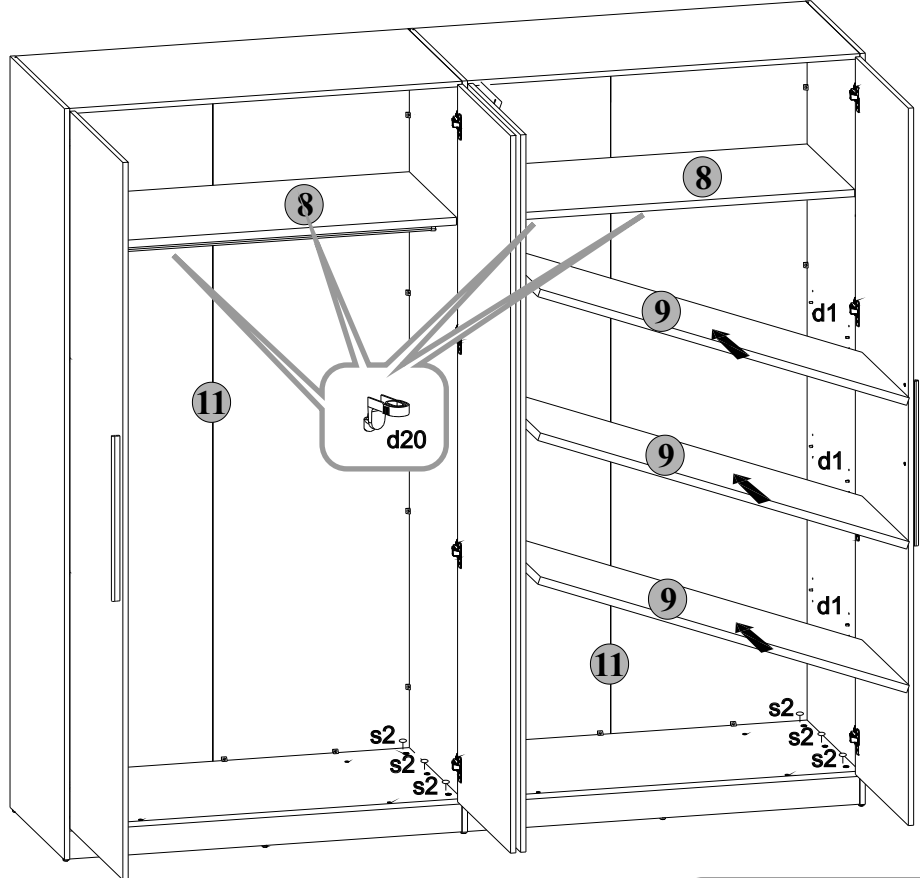
6



7



8



9

