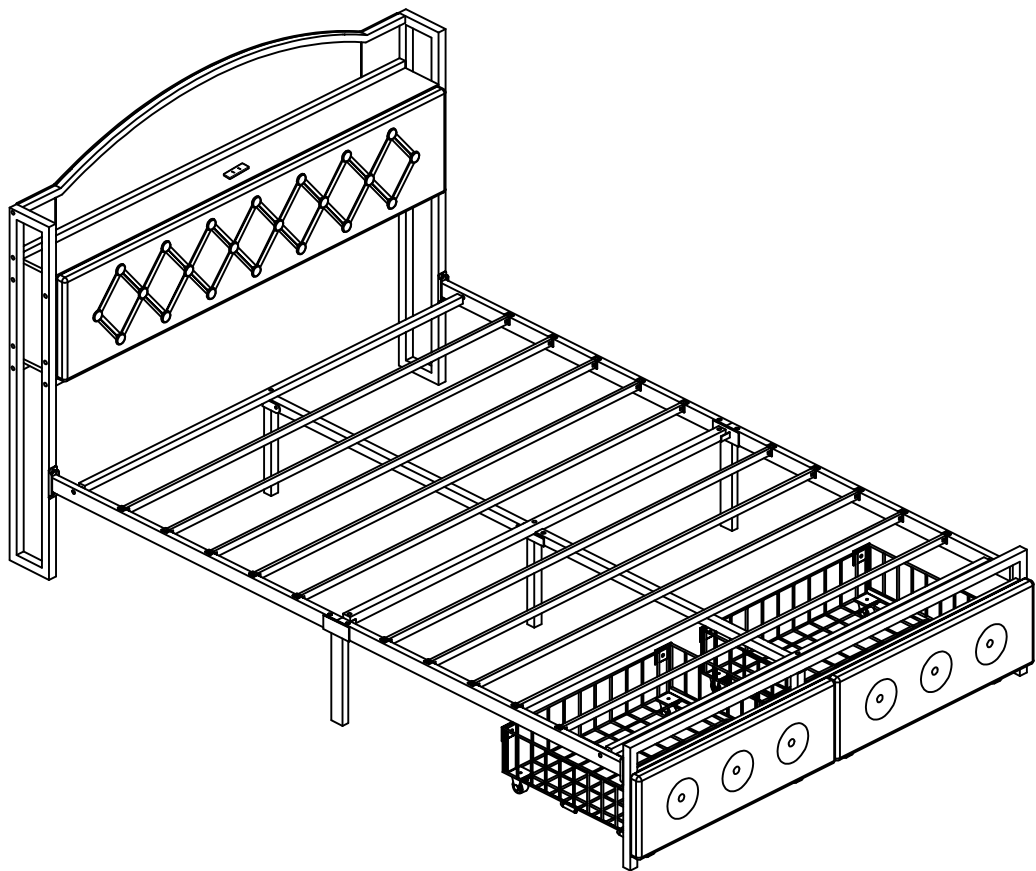
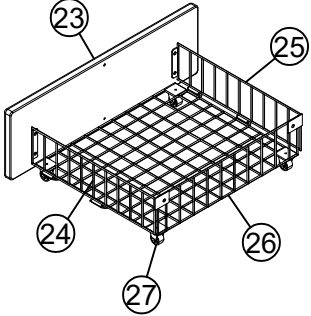
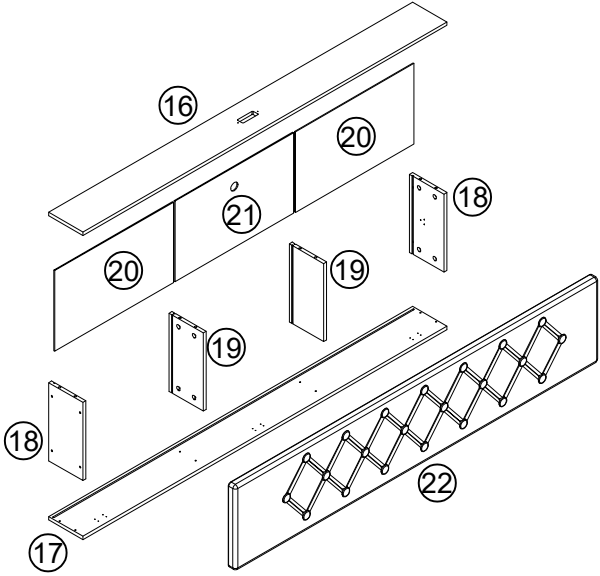
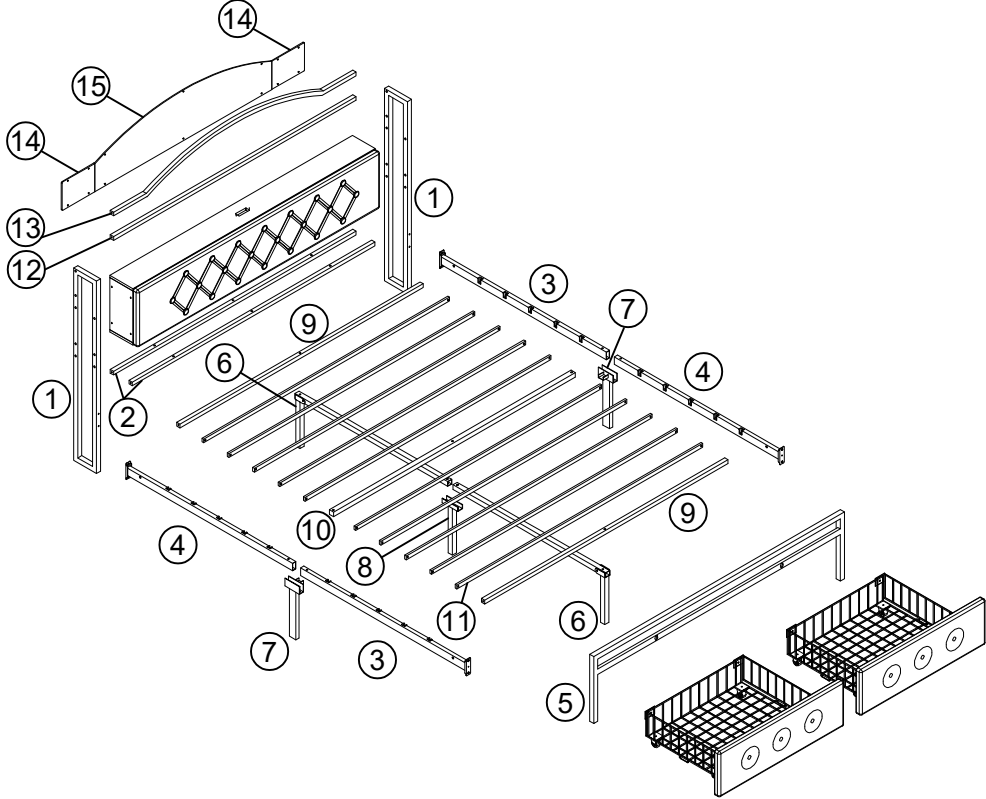


ASSEMBLY INSTRUCTION

SKU:WF321555
SKU:WF321556

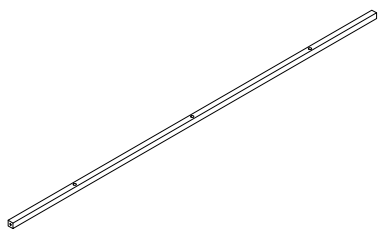


ASSEMBLY INSTRUCTION



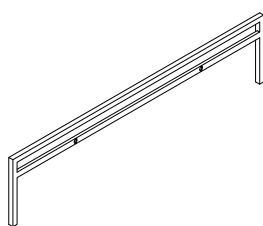
Parts List For WF321555

2



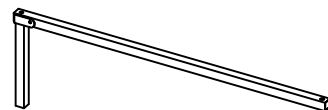
X2

5



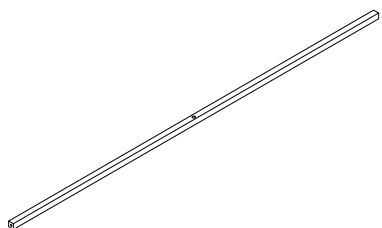
X1

6



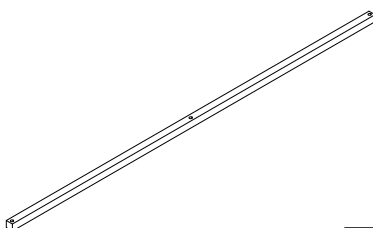
X2

9



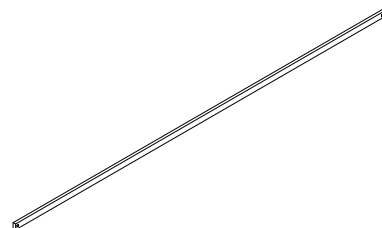
X2

10



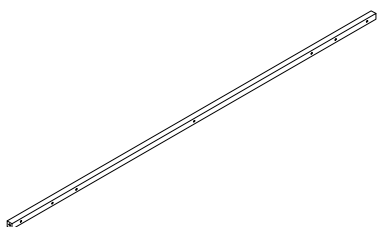
X1

11



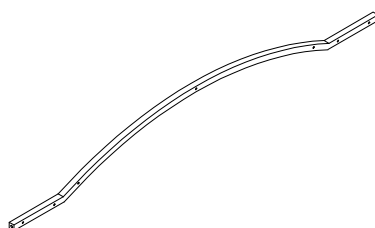
X10

12



X1

13



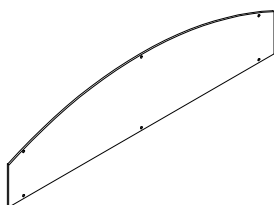
X1

14



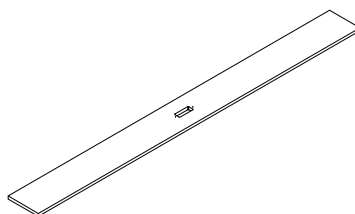
X2

15



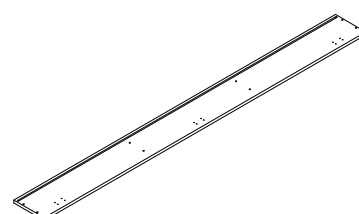
X1

16



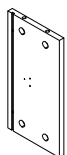
X1

17



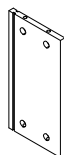
X1

18



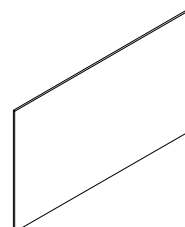
X2

19



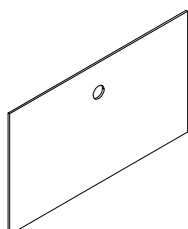
X2

20



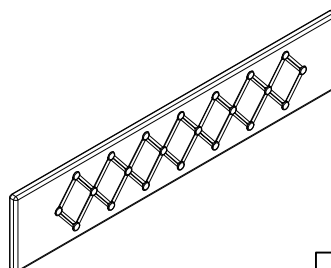
X2

21



X1

22



X1

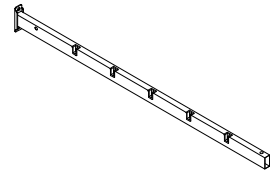
Parts List For WF321556

①



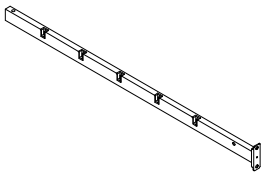
X2

③



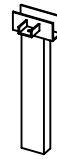
X2

④



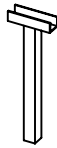
X2

⑦



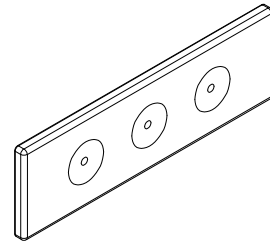
X2

⑧



X1

⑳



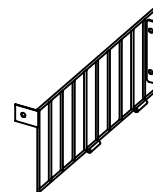
X2

㉔



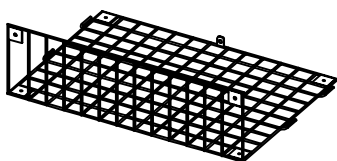
X2

㉕



X2

㉖



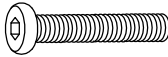

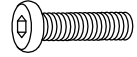
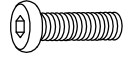
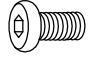

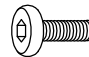
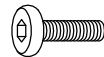
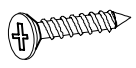
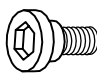




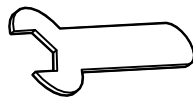
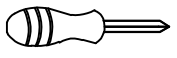
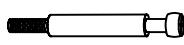




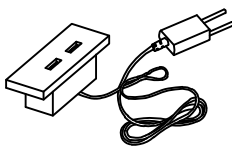
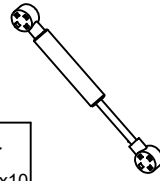


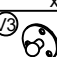

X2

㉗

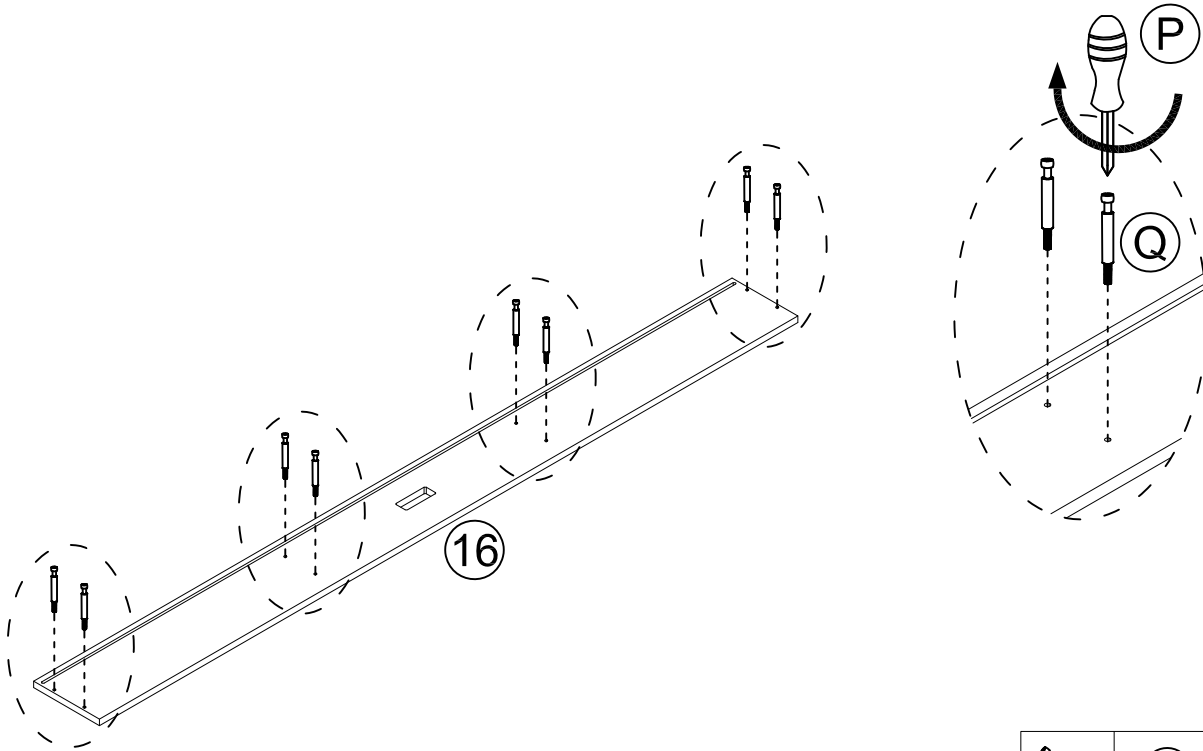




X8

Parts List For WF321556

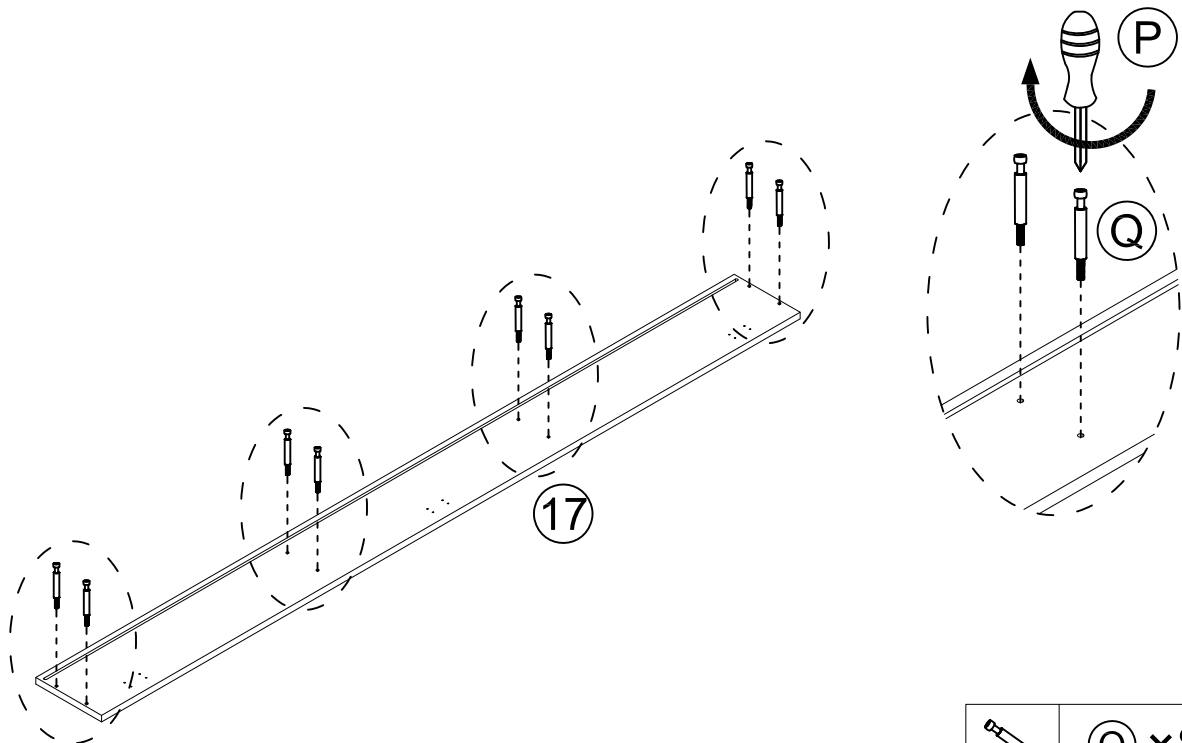
<p>(A)</p>  <p>M8x60mm</p> <p>X3</p>	<p>(B)</p>  <p>M8x50mm</p> <p>X4</p>	<p>(C)</p>  <p>M8x40mm</p> <p>X8</p>	<p>(D)</p>  <p>M8x35mm</p> <p>X8</p>
<p>(E)</p>  <p>M8x20mm</p> <p>X8</p>	<p>(F)</p>  <p>M6x12mm</p> <p>X28</p>	<p>(G)</p>  <p>M6x30mm</p> <p>X3</p>	<p>(H)</p>  <p>M6x35mm</p> <p>X8</p>
<p>(I)</p>  <p>M3x12mm</p> <p>X2</p>	<p>(J)</p>  <p>M8x16mm</p> <p>X2</p>	<p>(K)</p>  <p>Ø17*Ø8.5*2</p> <p>X5</p>	<p>(L)</p>  <p>M6</p> <p>X4</p>
<p>(M)</p>  <p>M4</p> <p>X1</p>	<p>(N)</p>  <p>M5</p> <p>X1</p>	<p>(O)</p>  <p>X1</p>	<p>(P)</p>  <p>X1</p>
<p>(Q)</p>  <p>X16</p>	<p>(R)</p>  <p>X16</p>	<p>(S)</p>  <p>X8</p>	
<p>(T)</p>  <p>X3</p> <p>(T1)</p>  <p>x18</p>	<p>(U)</p>  <p>X1</p>	<p>(V)</p>  <p>X2</p> <p>(V1)</p>  <p>x4</p> <p>(V2)</p>  <p>x10</p> <p>(V3)</p>  <p>x2</p> <p>(V4)</p>  <p>x2</p>	



1



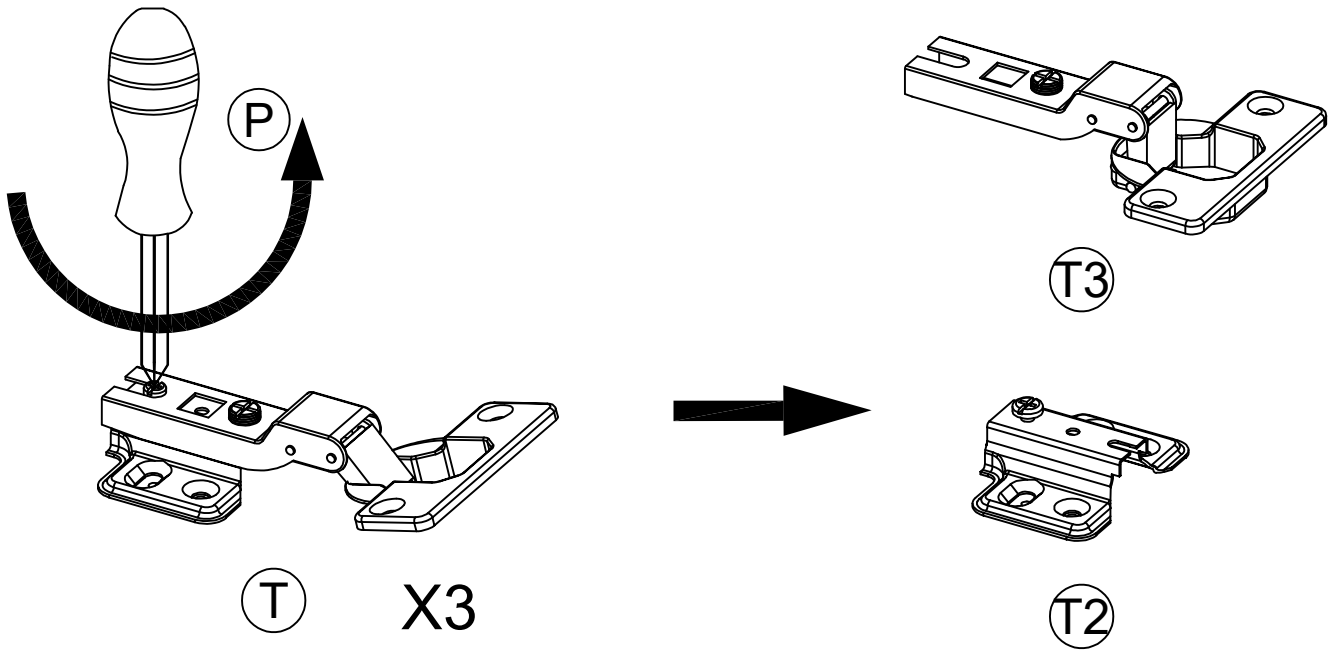
	Q x 8
	P x 1



2



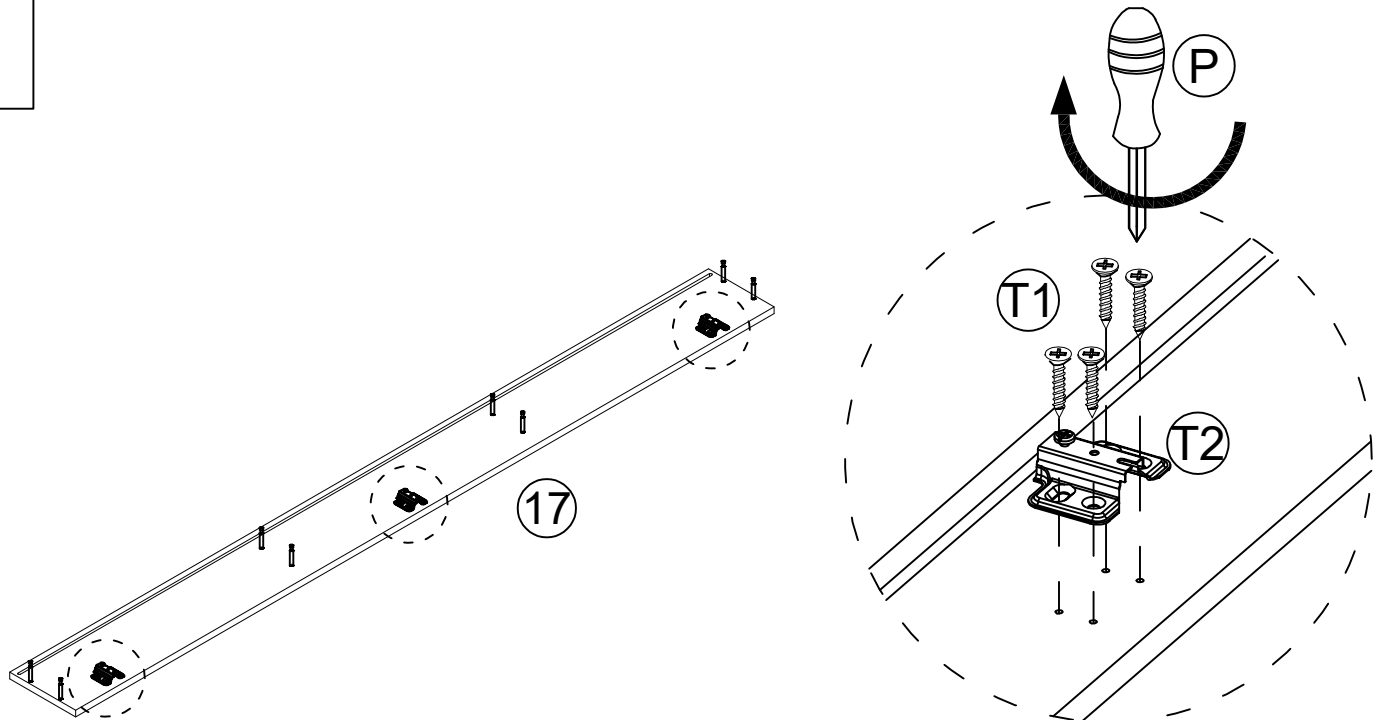
	Q x 8
	P x 1




3



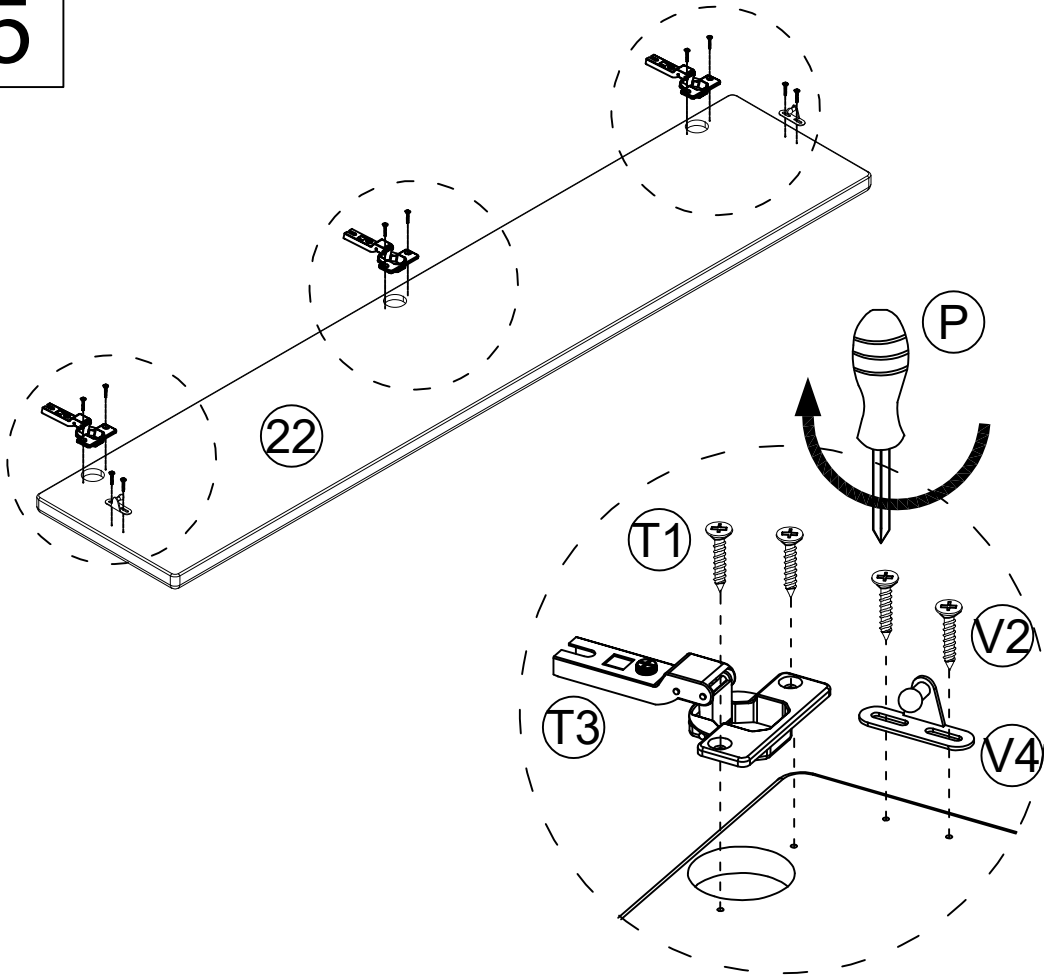
	(T) x3
	(P) x1

4



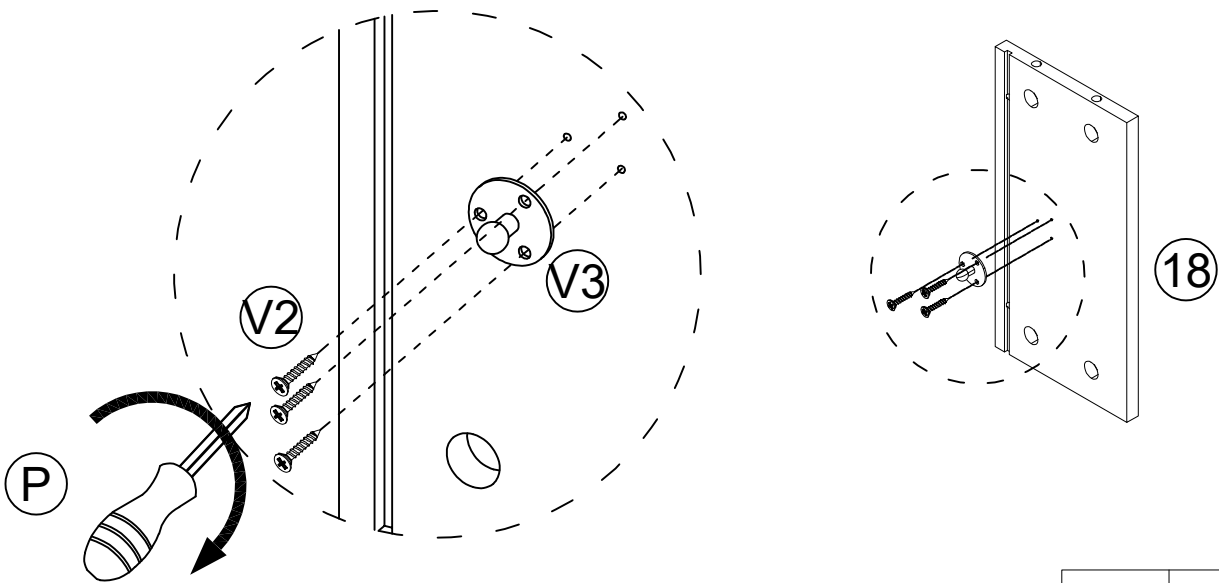
	(T2) X3
	(T1) X12
	(P) X1

5



	(V2)	X4
	(V4)	X2
	(T3)	X3
	(T1)	X6
	(P)	X1

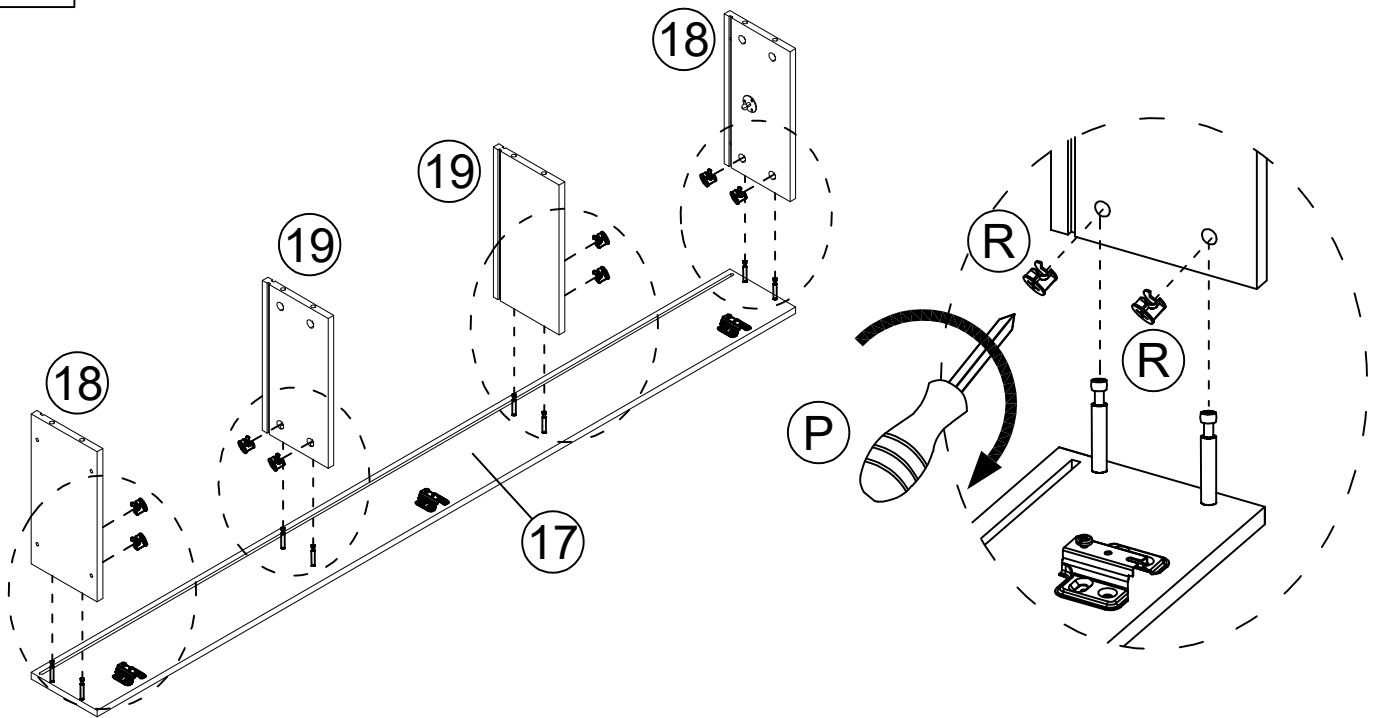
6


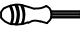


X2

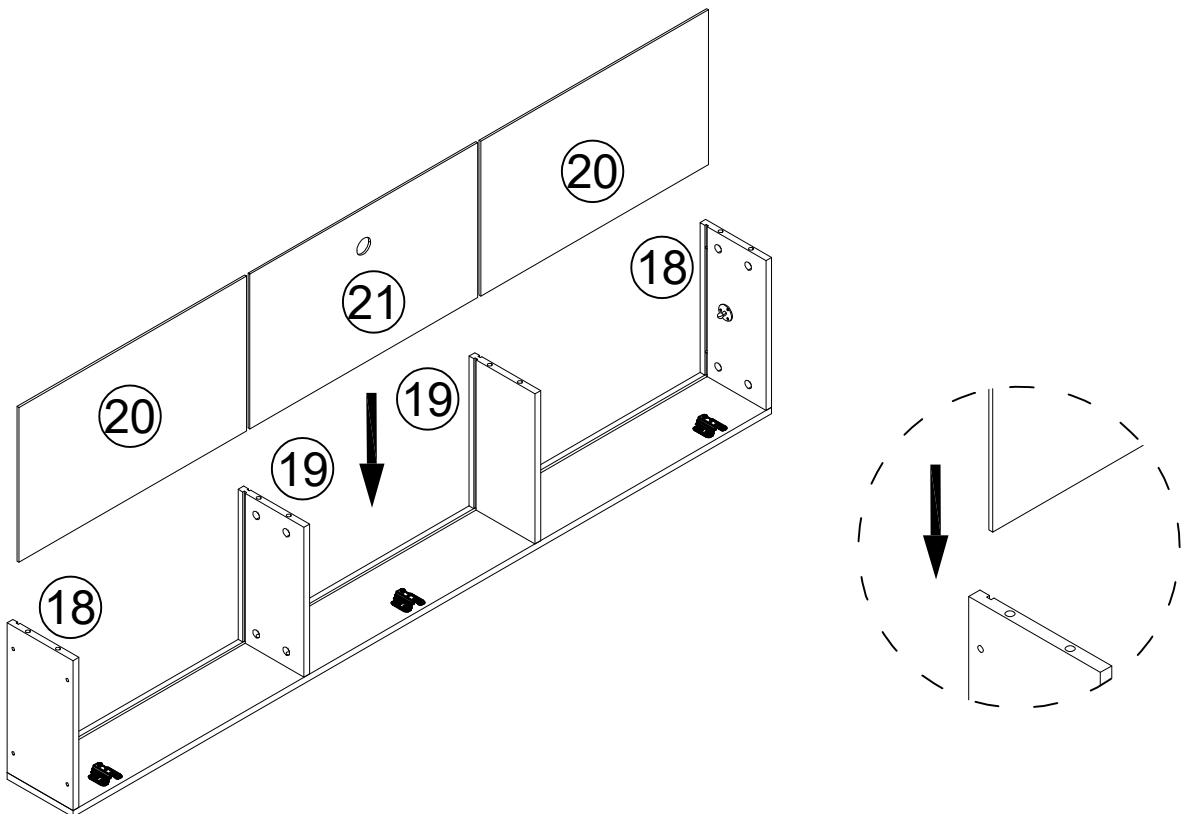
	(V2)	X6
	(V3)	X2
	(P)	X1

7

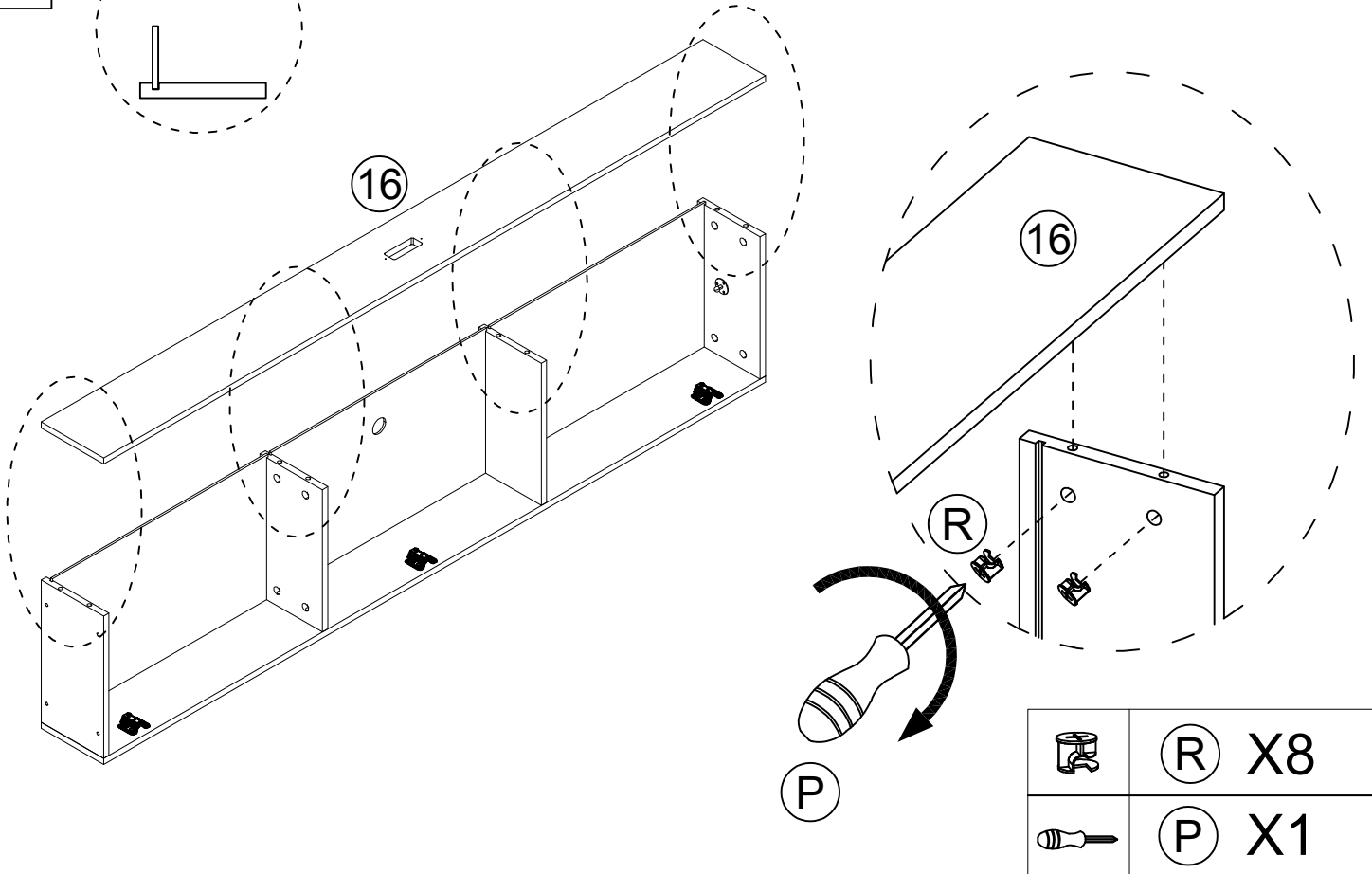
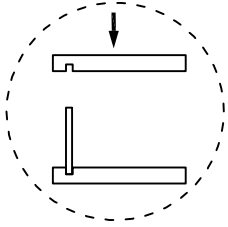


	(R) X8
	(P) X1

8

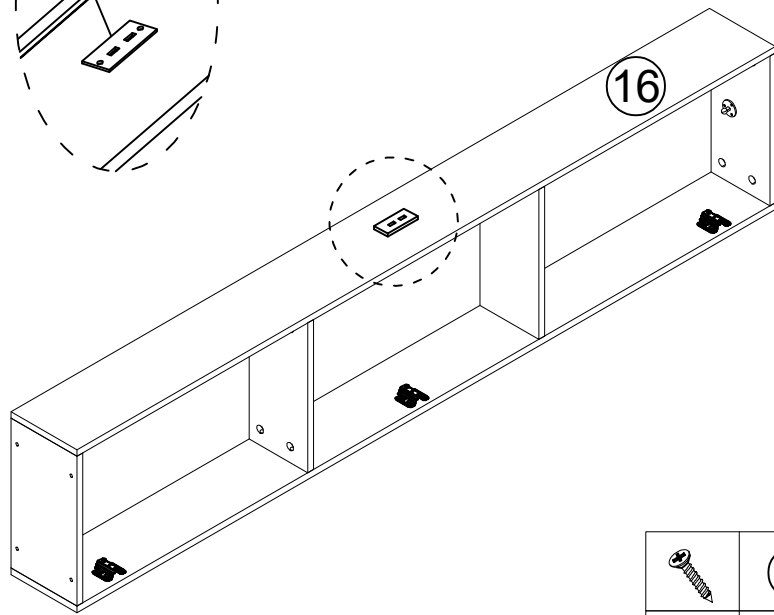
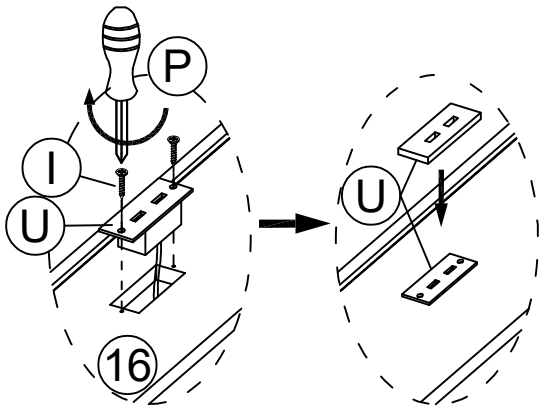


9



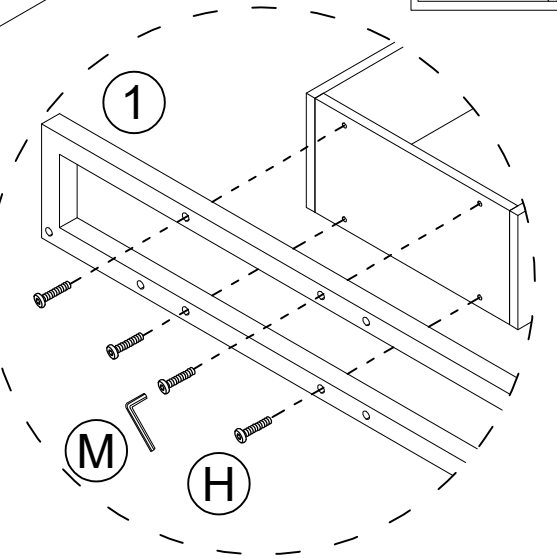
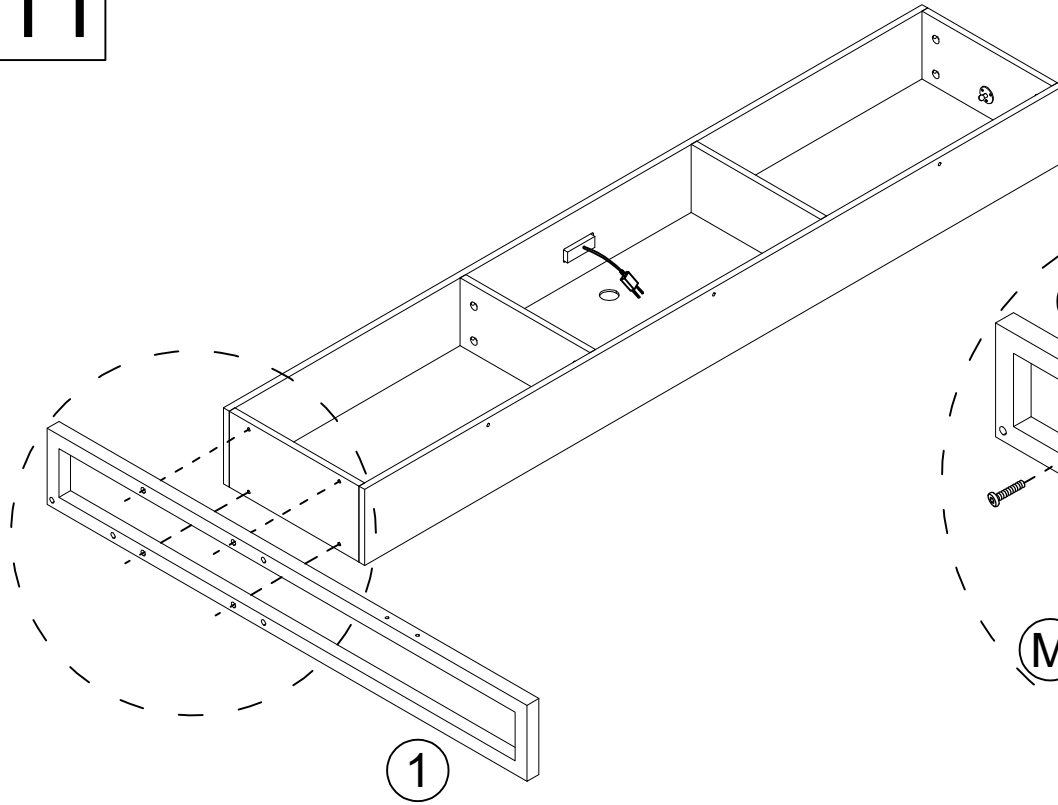
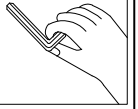
	(R) X8
	(P) X1

10



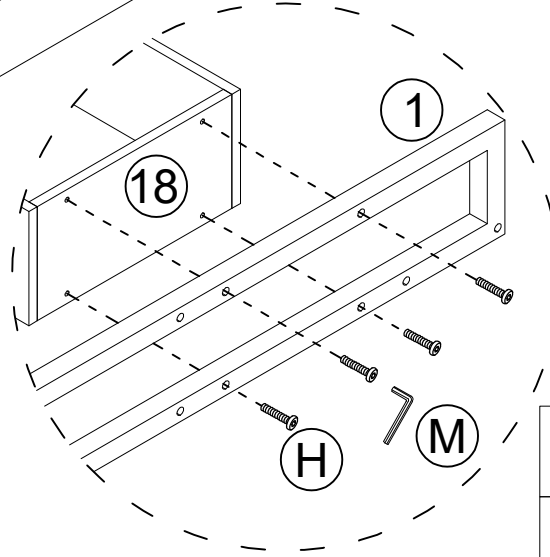
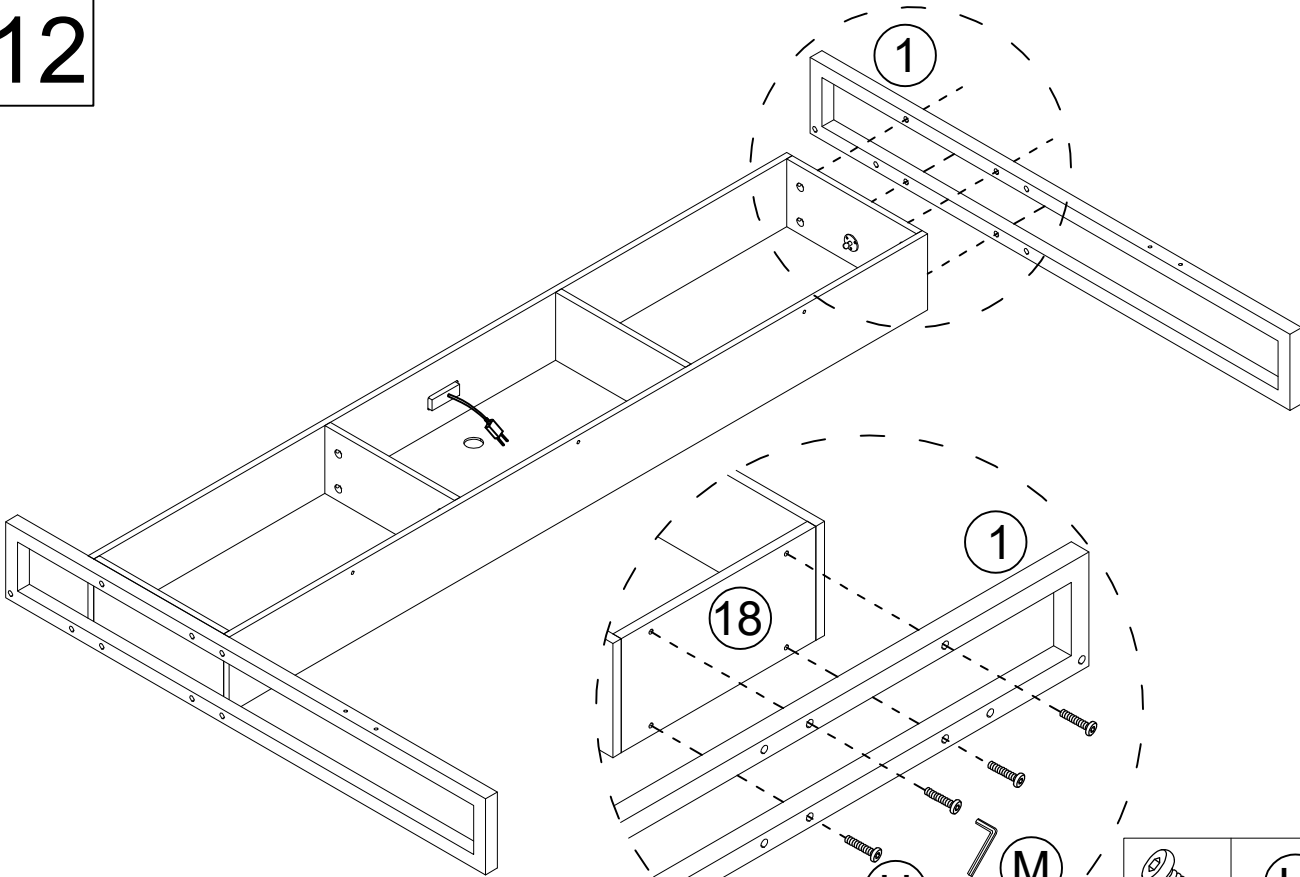
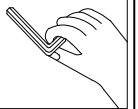
	(I) x2
	(P) x1
	(U) x1

11



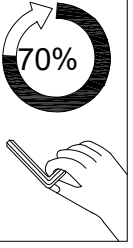
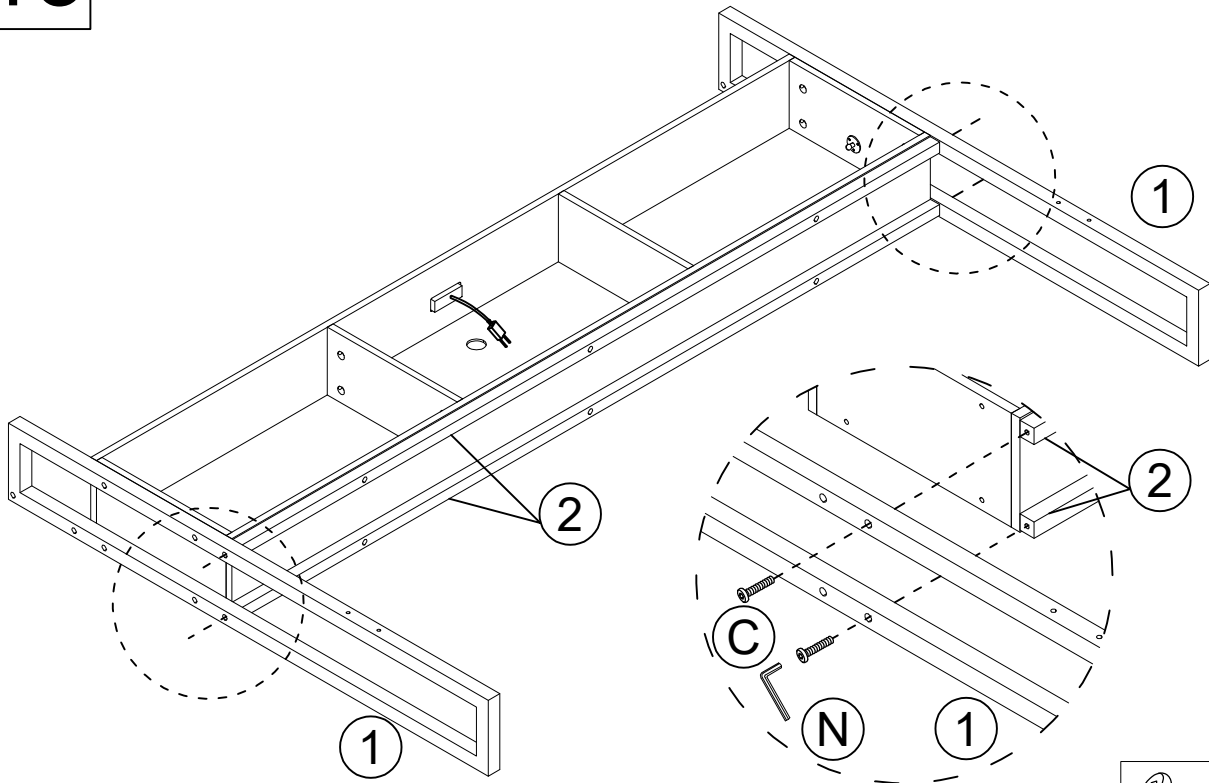
	(H) X4
	(M) X1



12



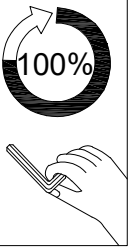
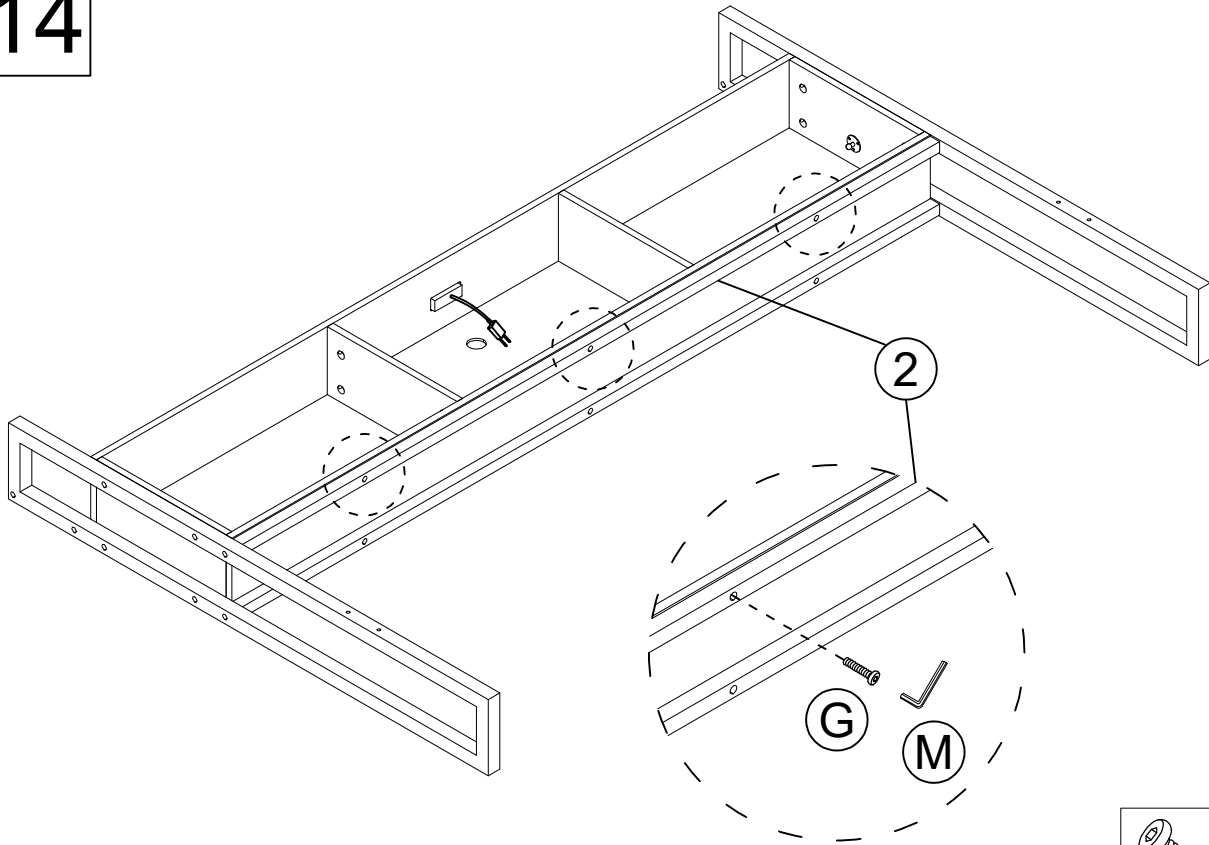
	(H) X4
	(M) X1



13



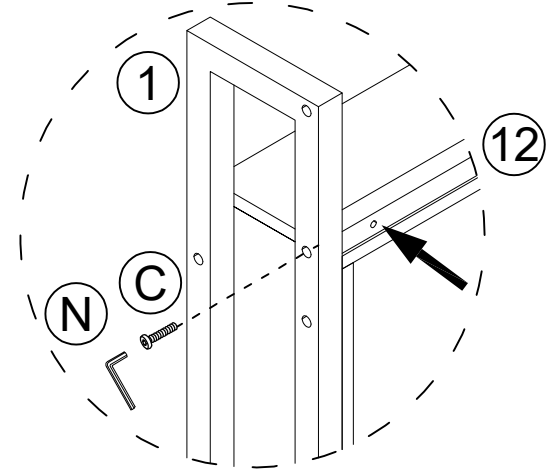
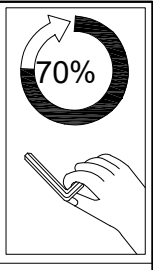
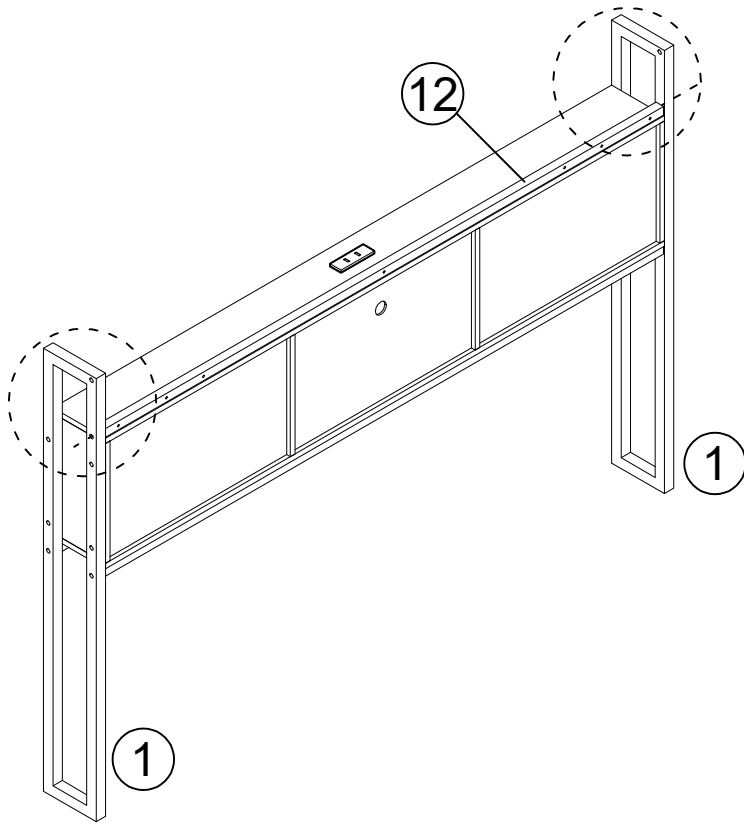
	(C) X4
	(N) X1



14



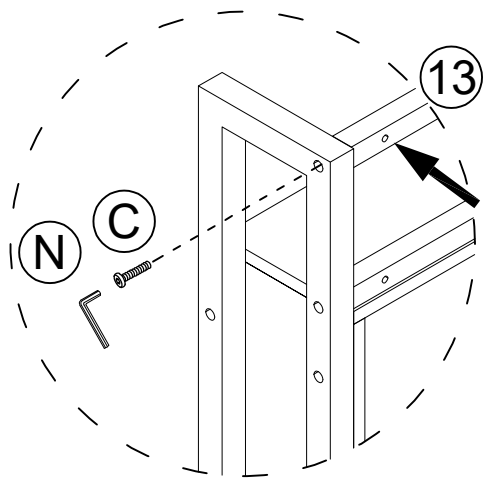
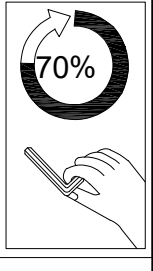
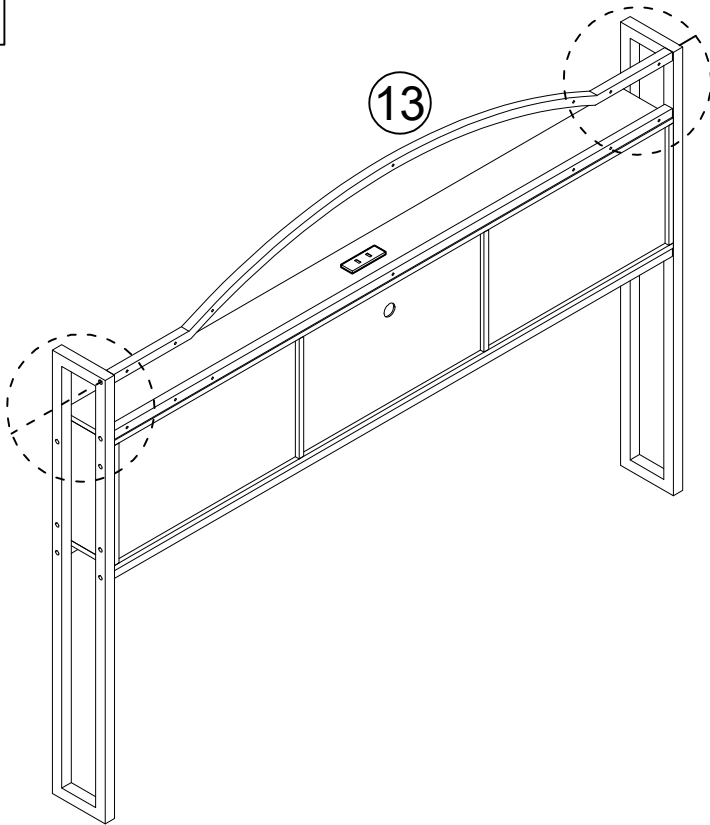
	(G) X3
	(M) X1



15



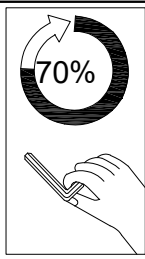
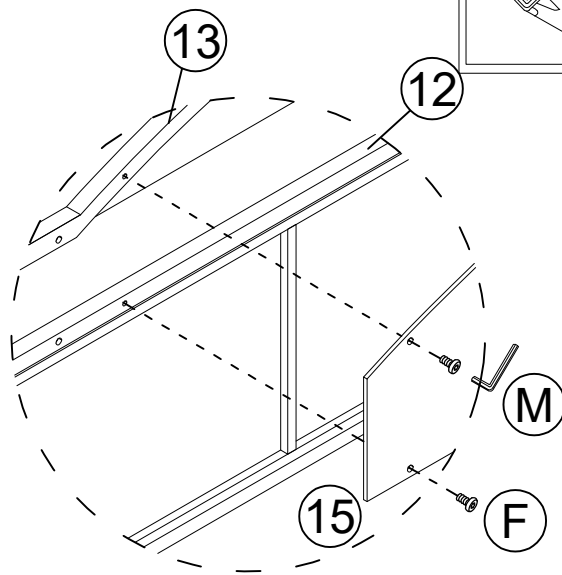
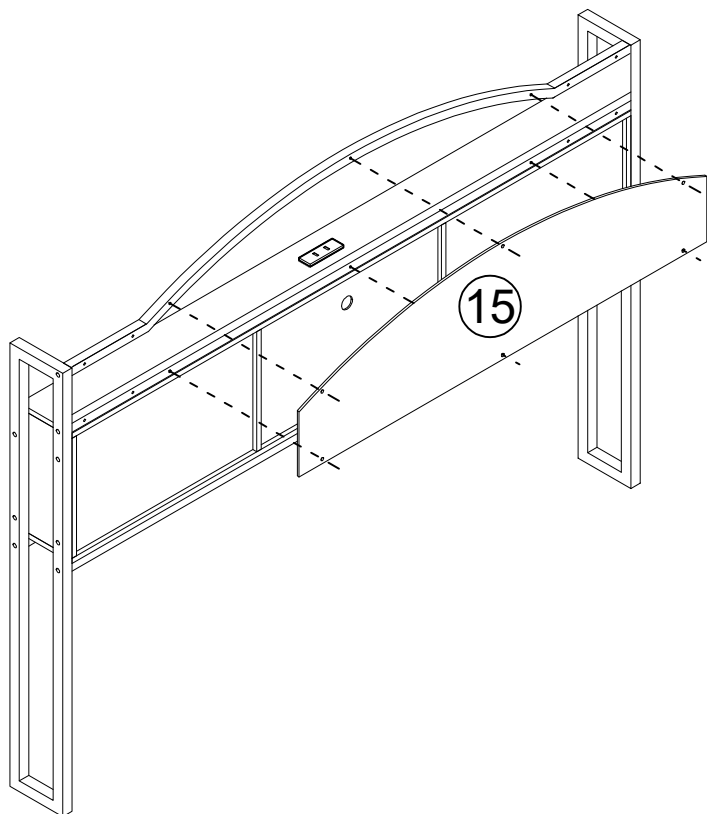
	(C) X2
	(N) X1



16



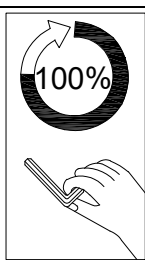
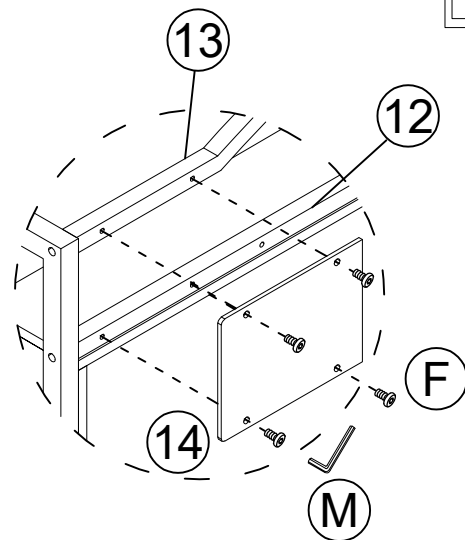
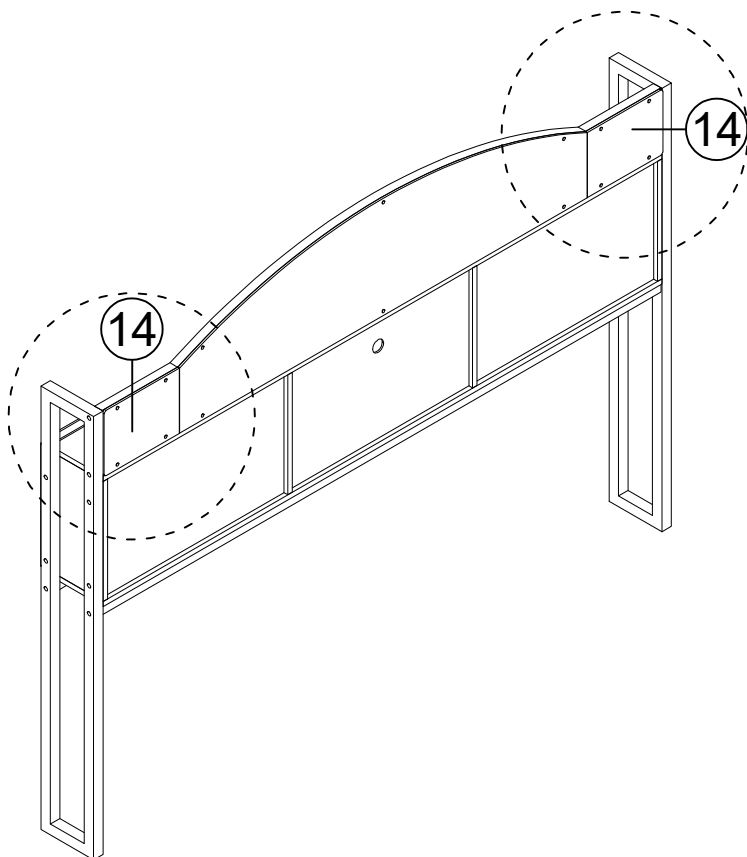
	(C) X2
	(N) X1



17



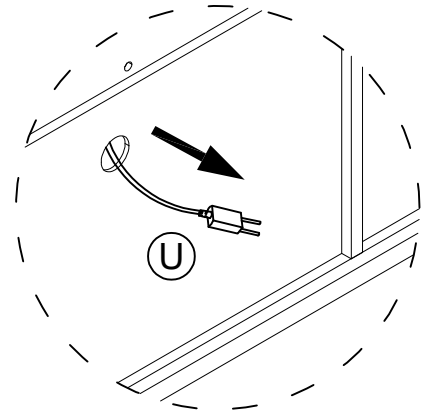
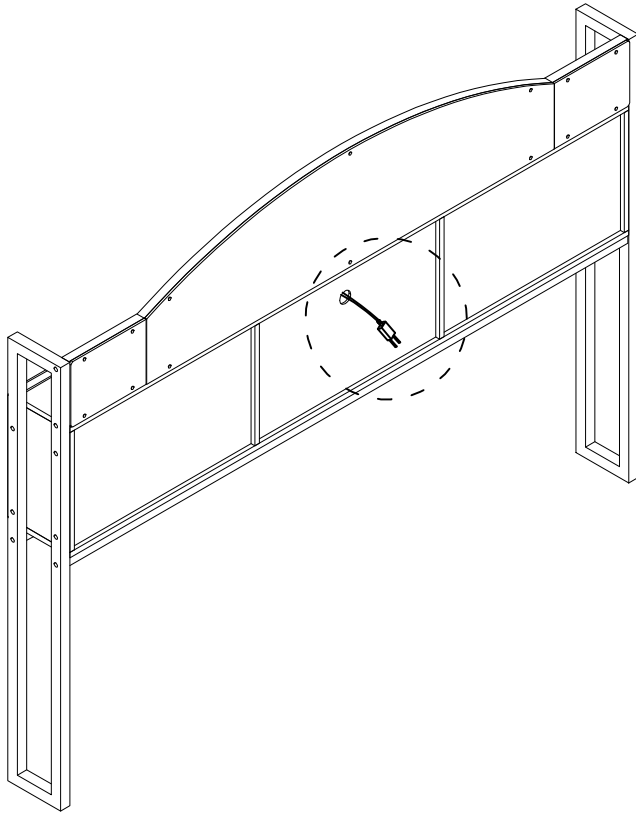
	(F) X6
	(M) X1

18

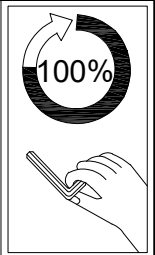
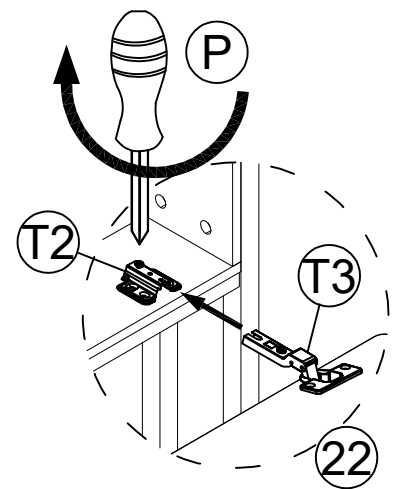
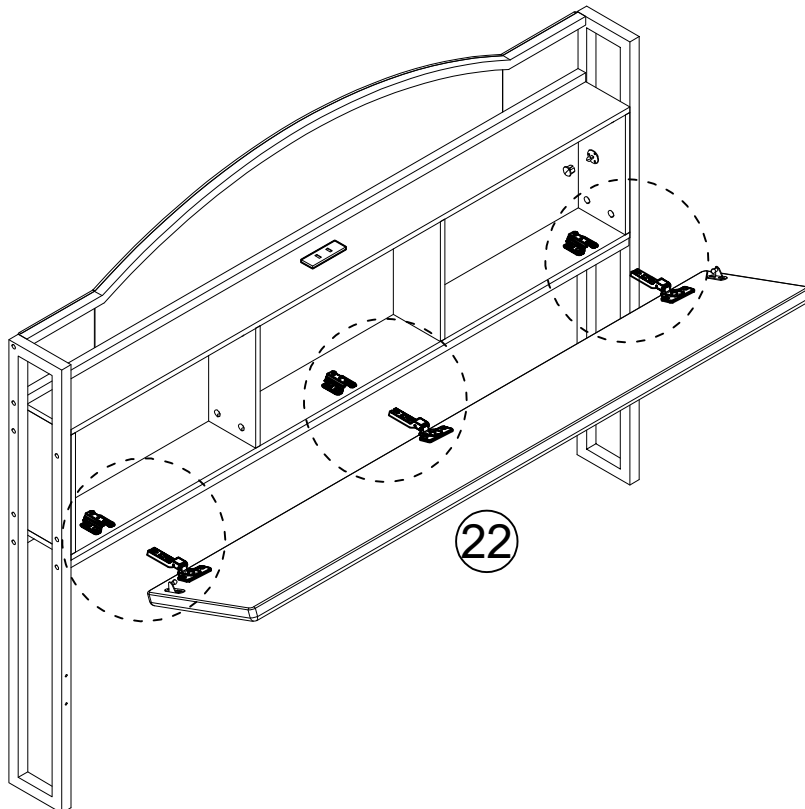


	(F) X8
	(M) X1

19

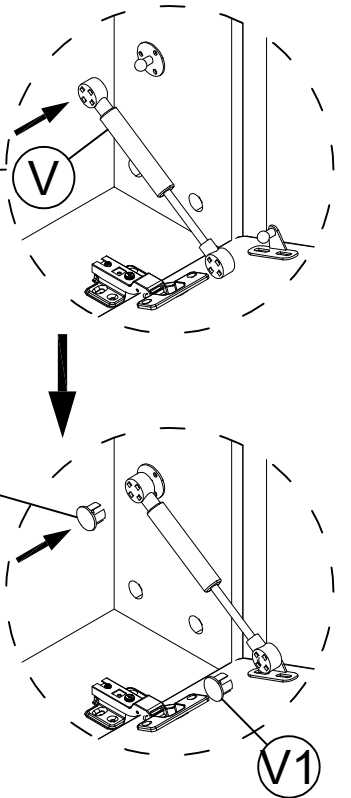
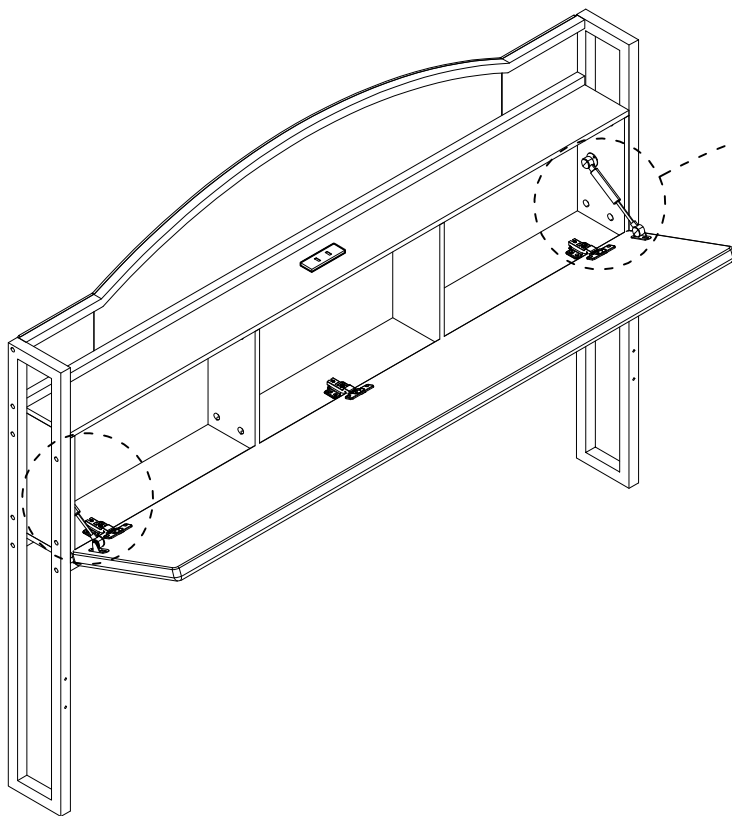




20



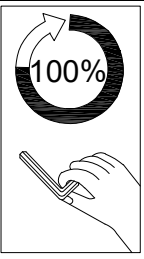
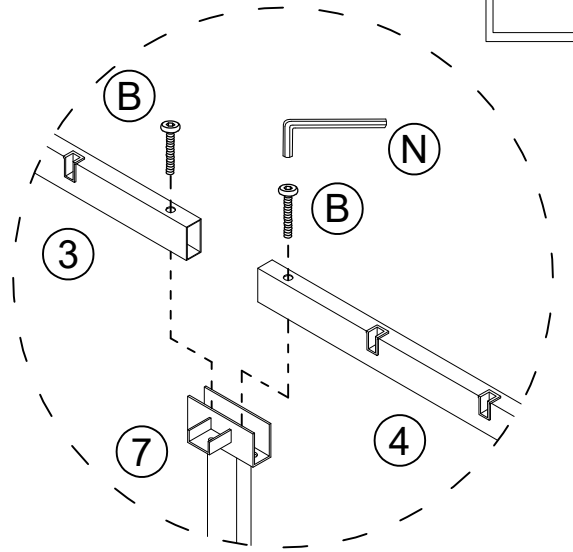
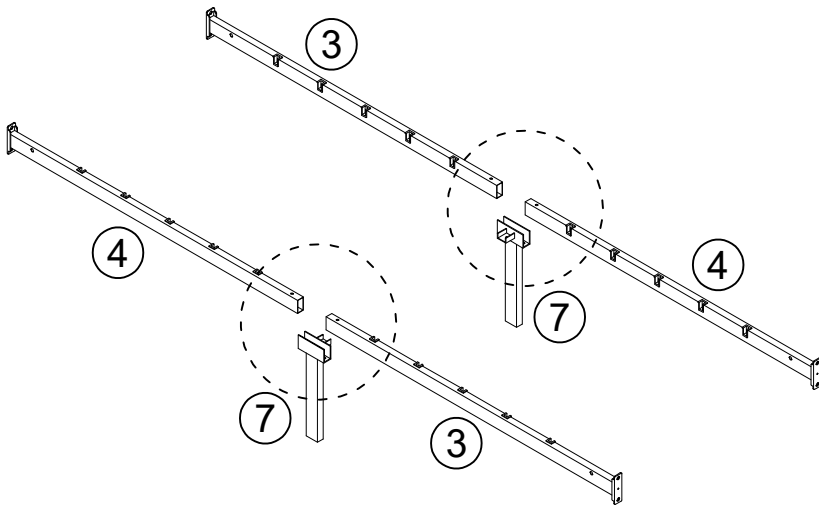
 (P) X1



21



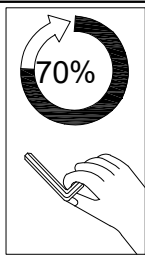
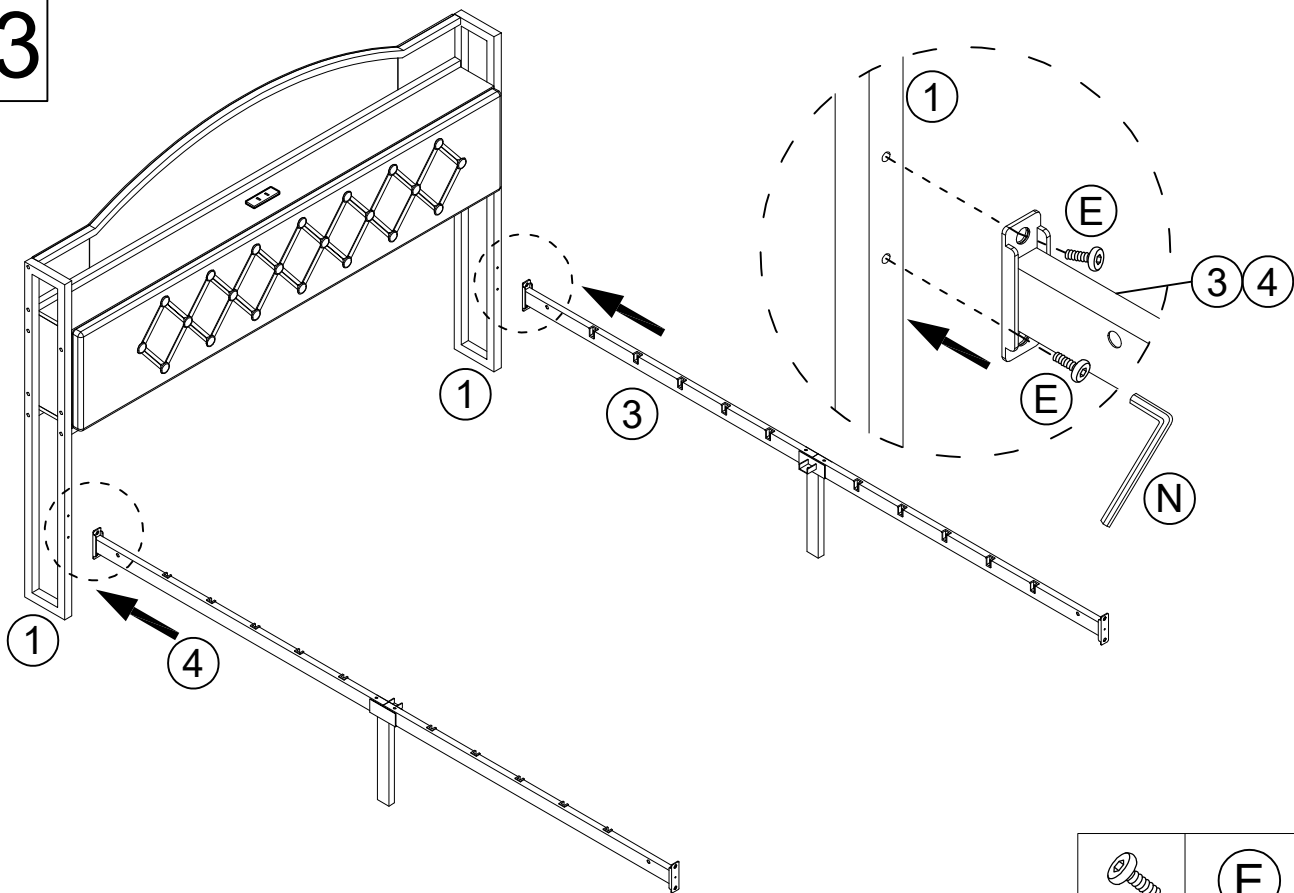
	(V) X2
	(V1) X4



22



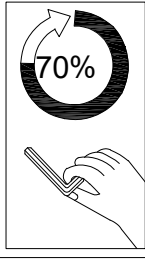
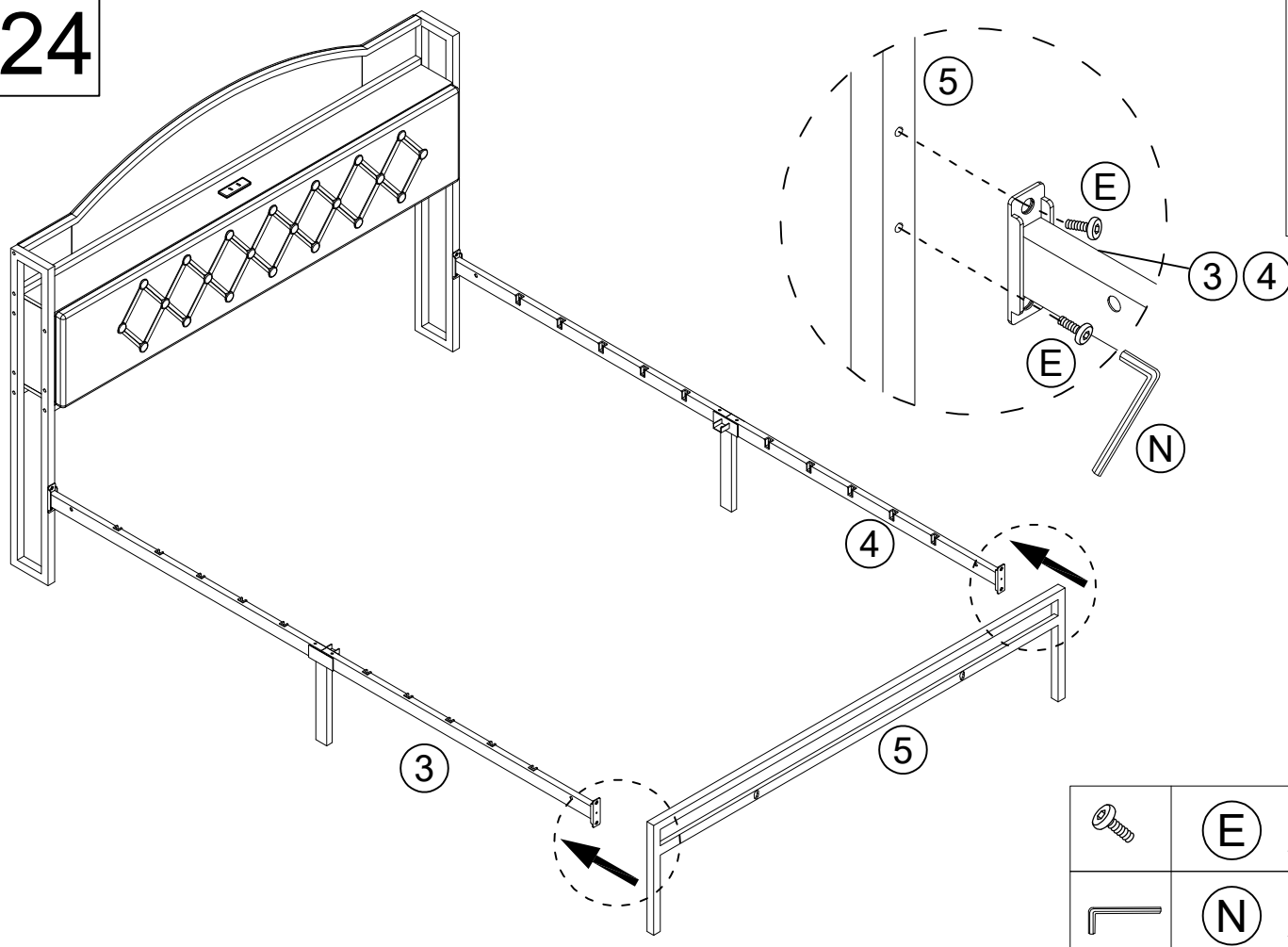
	(B) X4
	(N) X1



23



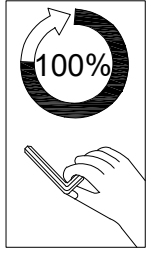
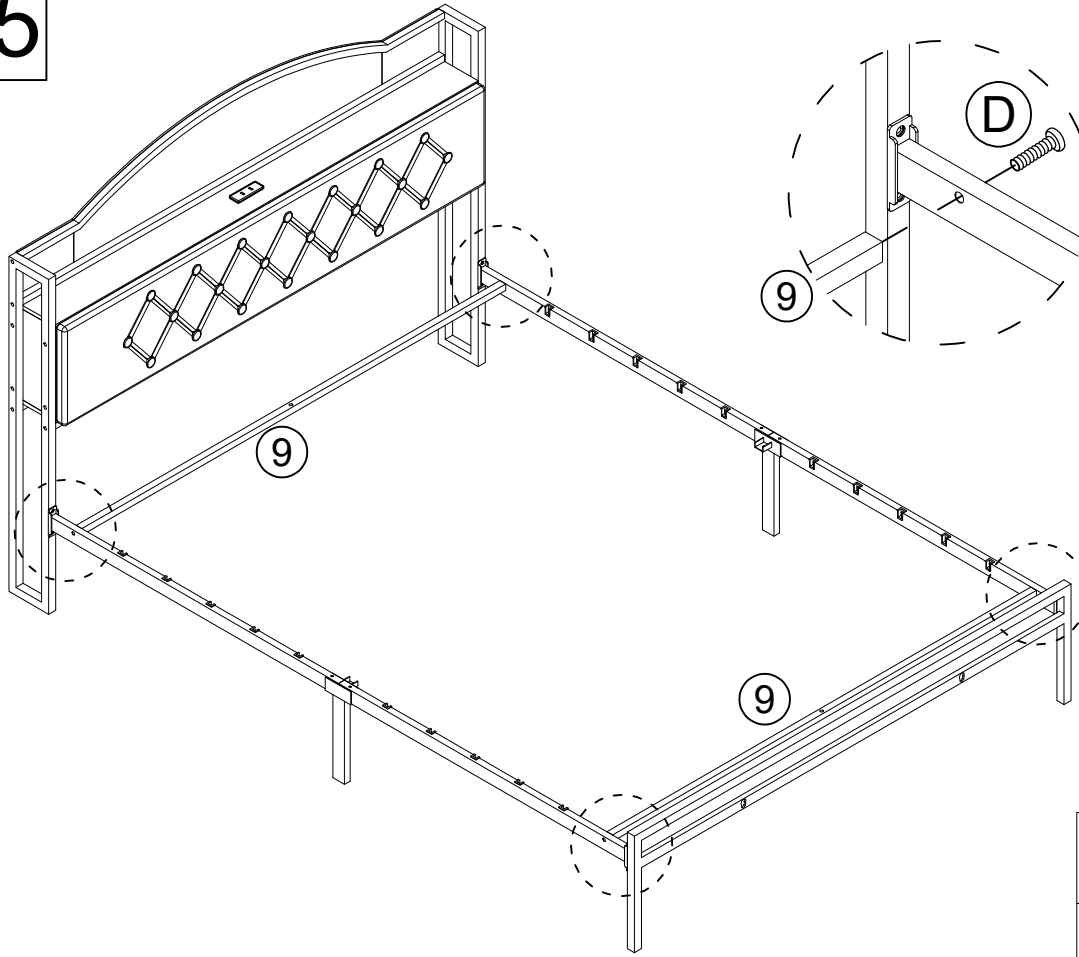
	(E) X4
	(N) X1



24



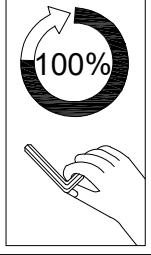
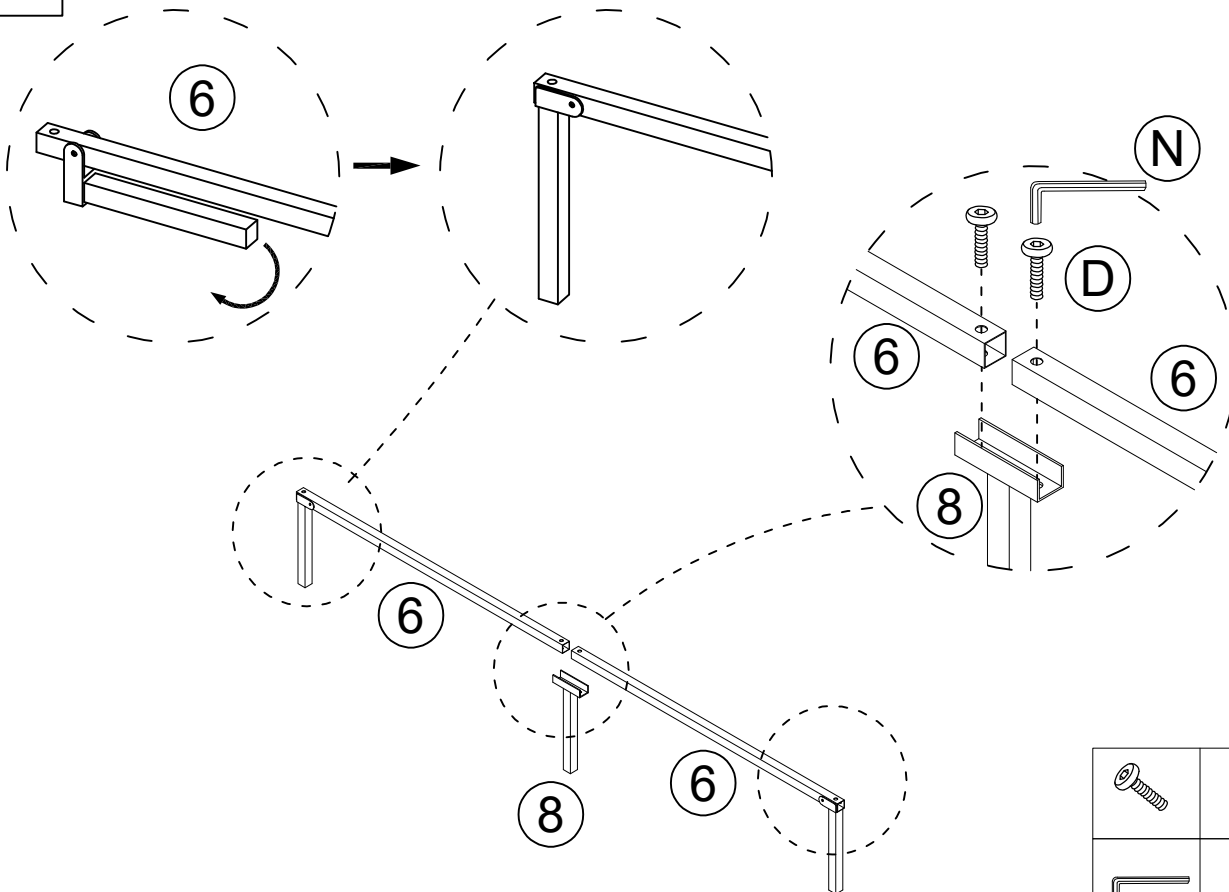
	(E) X4
	(N) X1



25



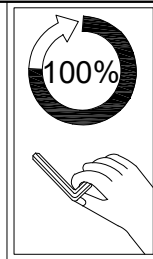
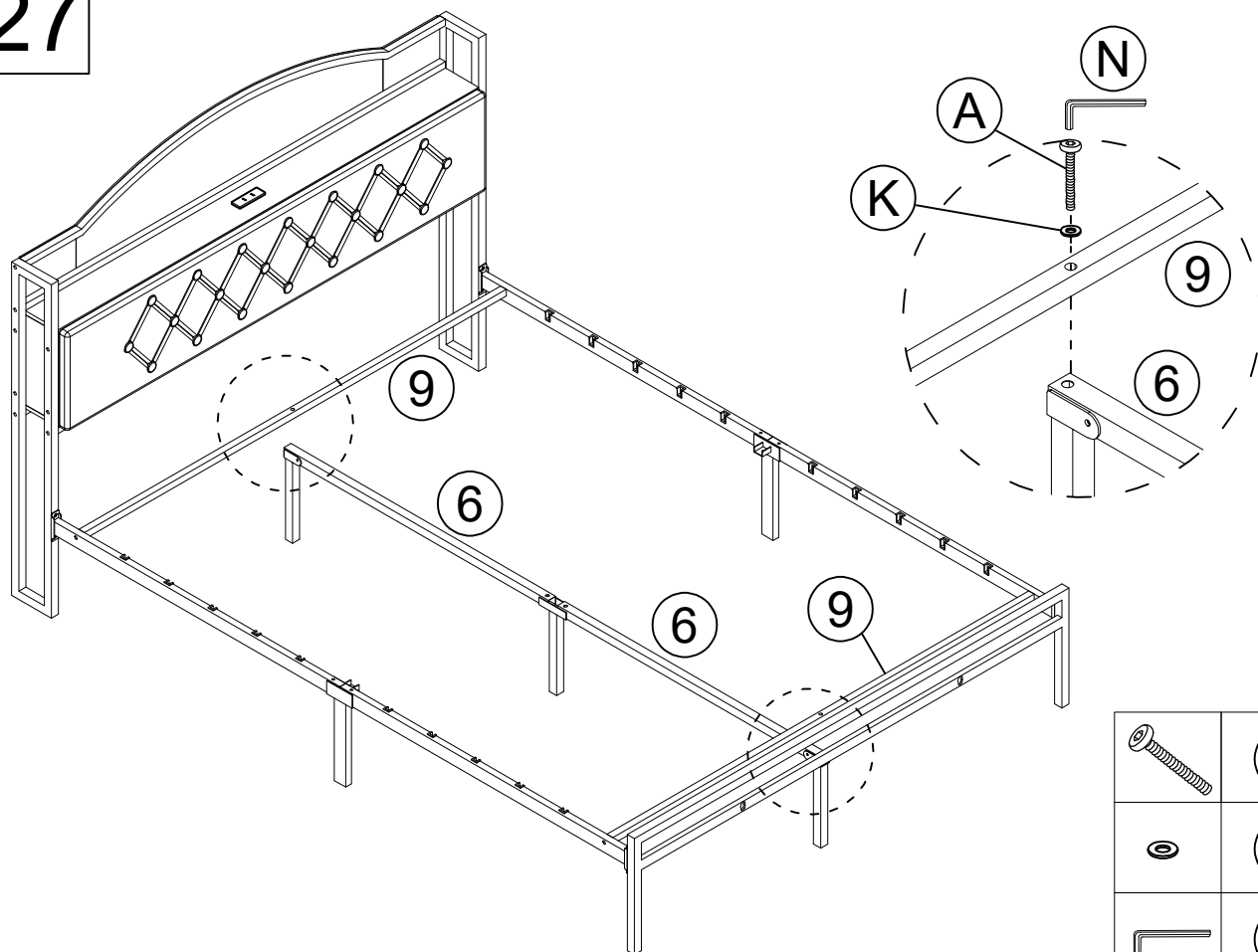
	(D) X4
	(N) X1

26



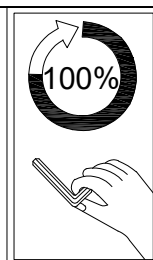
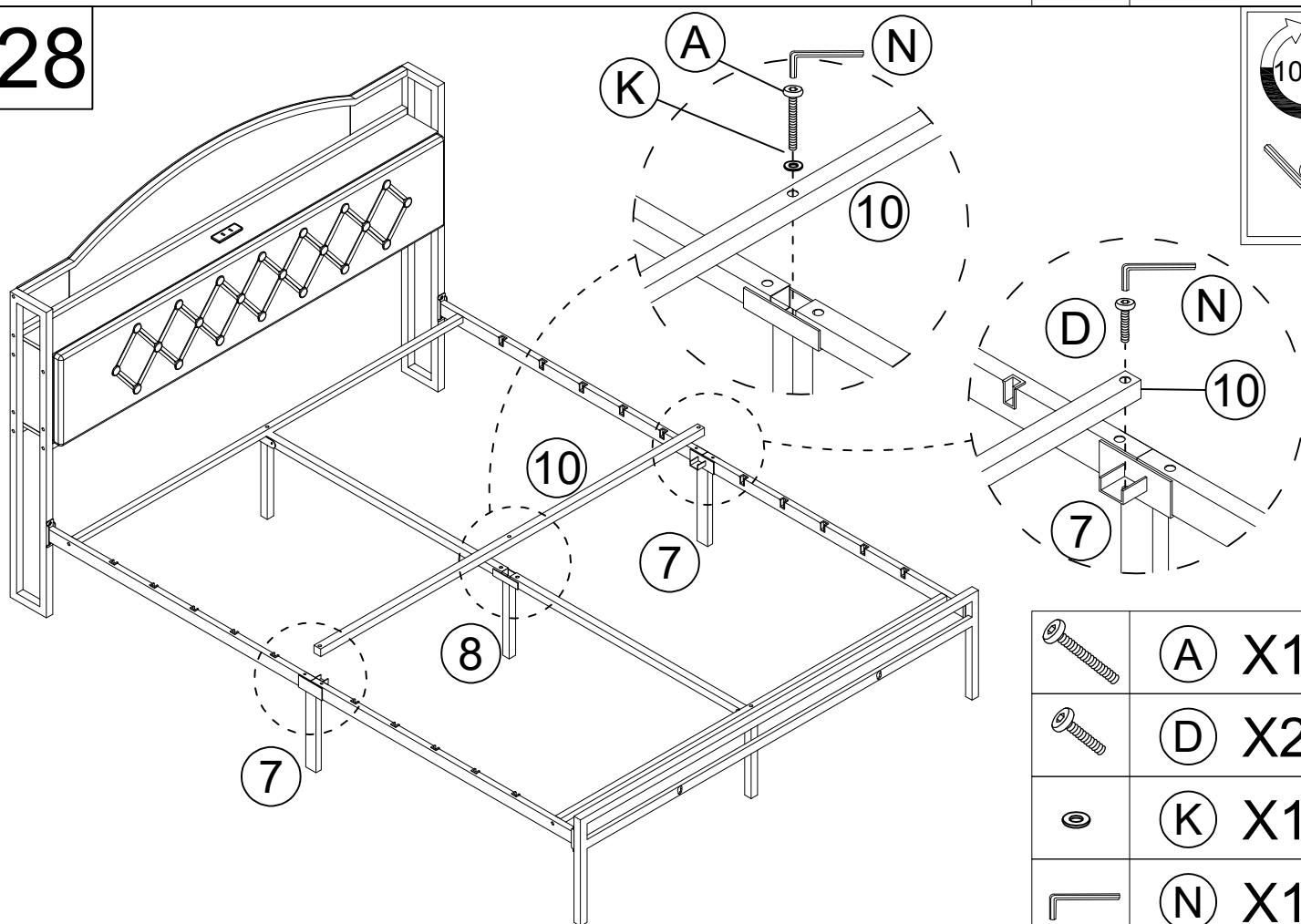
	(D) X2
	(N) X1

27



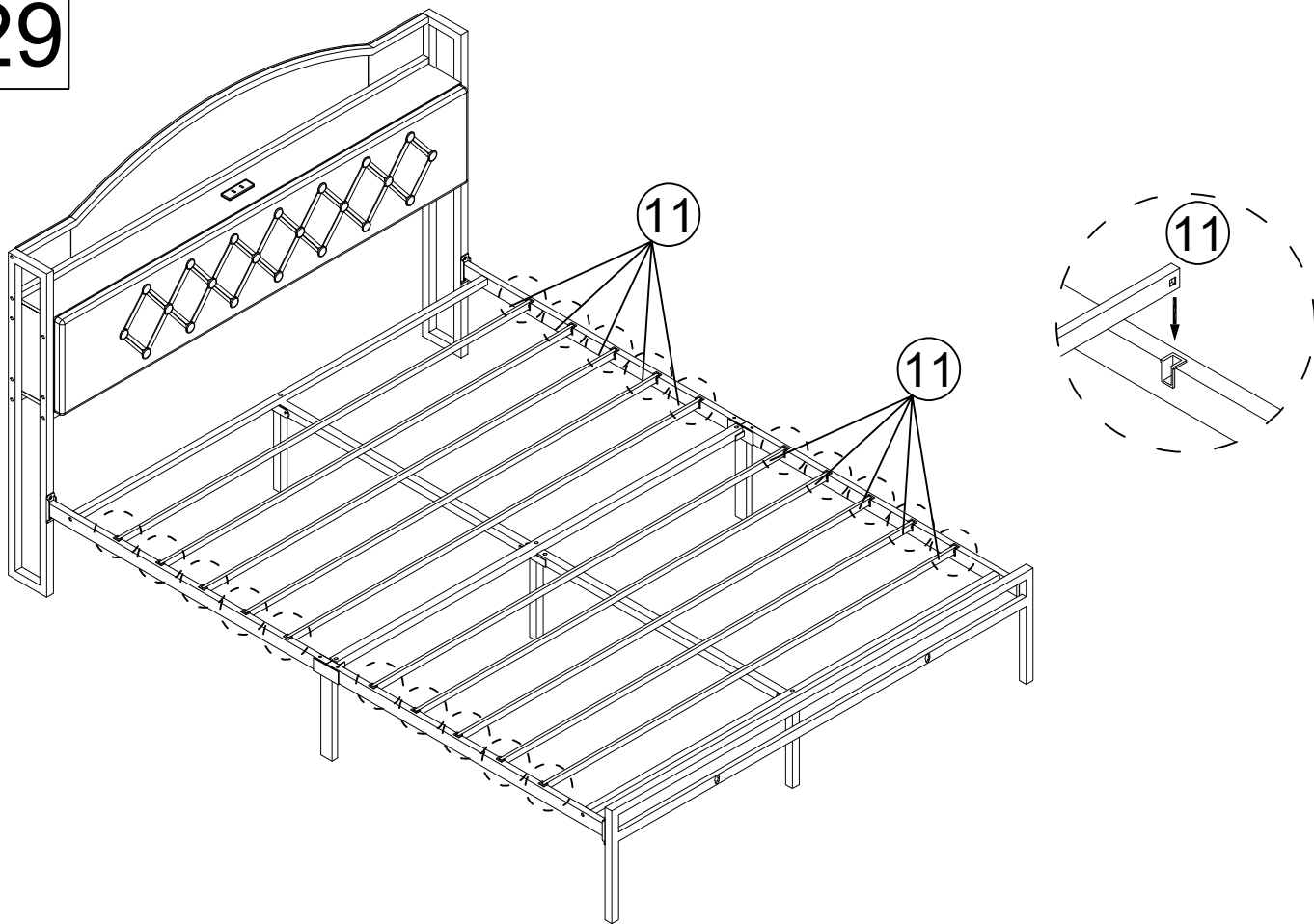
	(A) X2
	(K) X2
	(N) X1

28

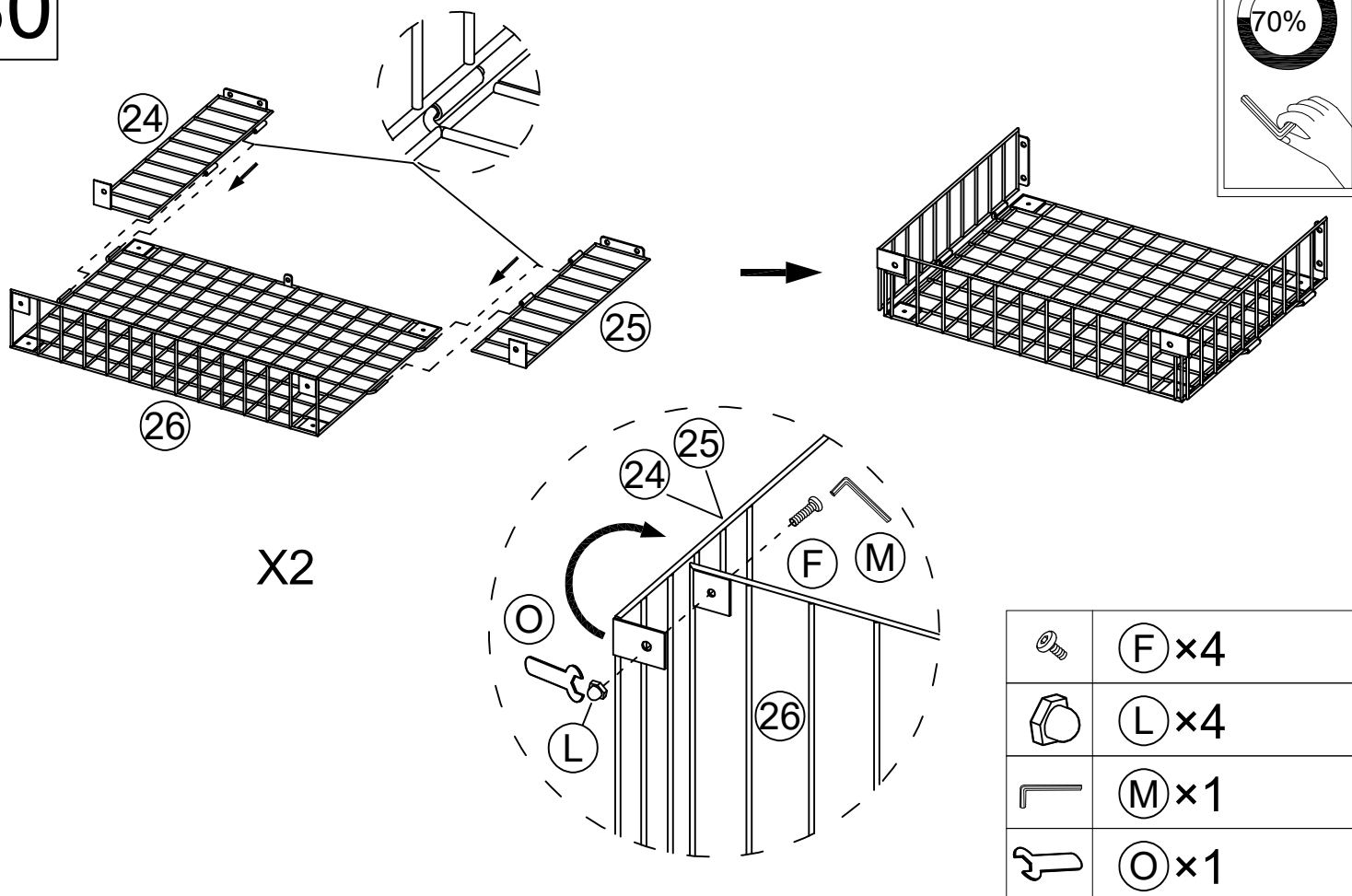


	(A) X1
	(D) X2
	(K) X1
	(N) X1

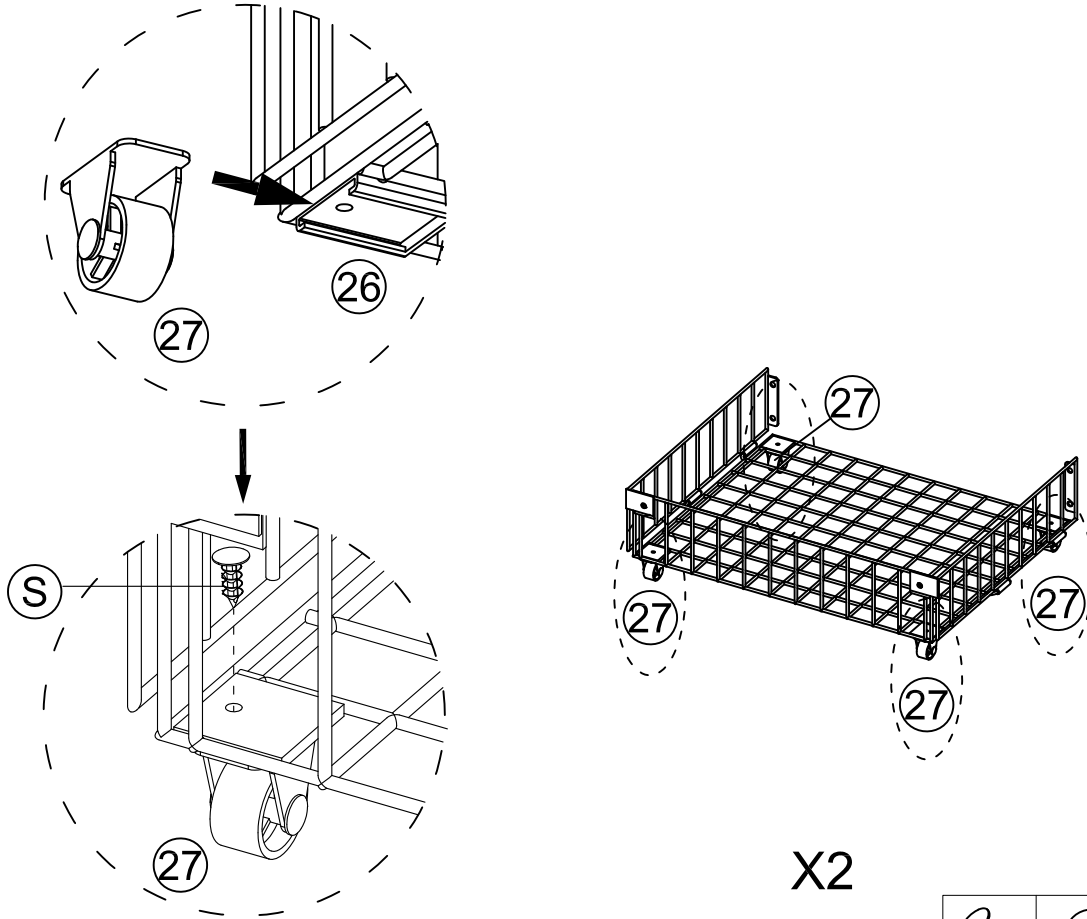
29




30

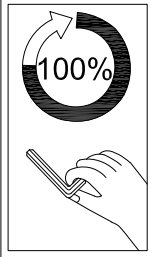
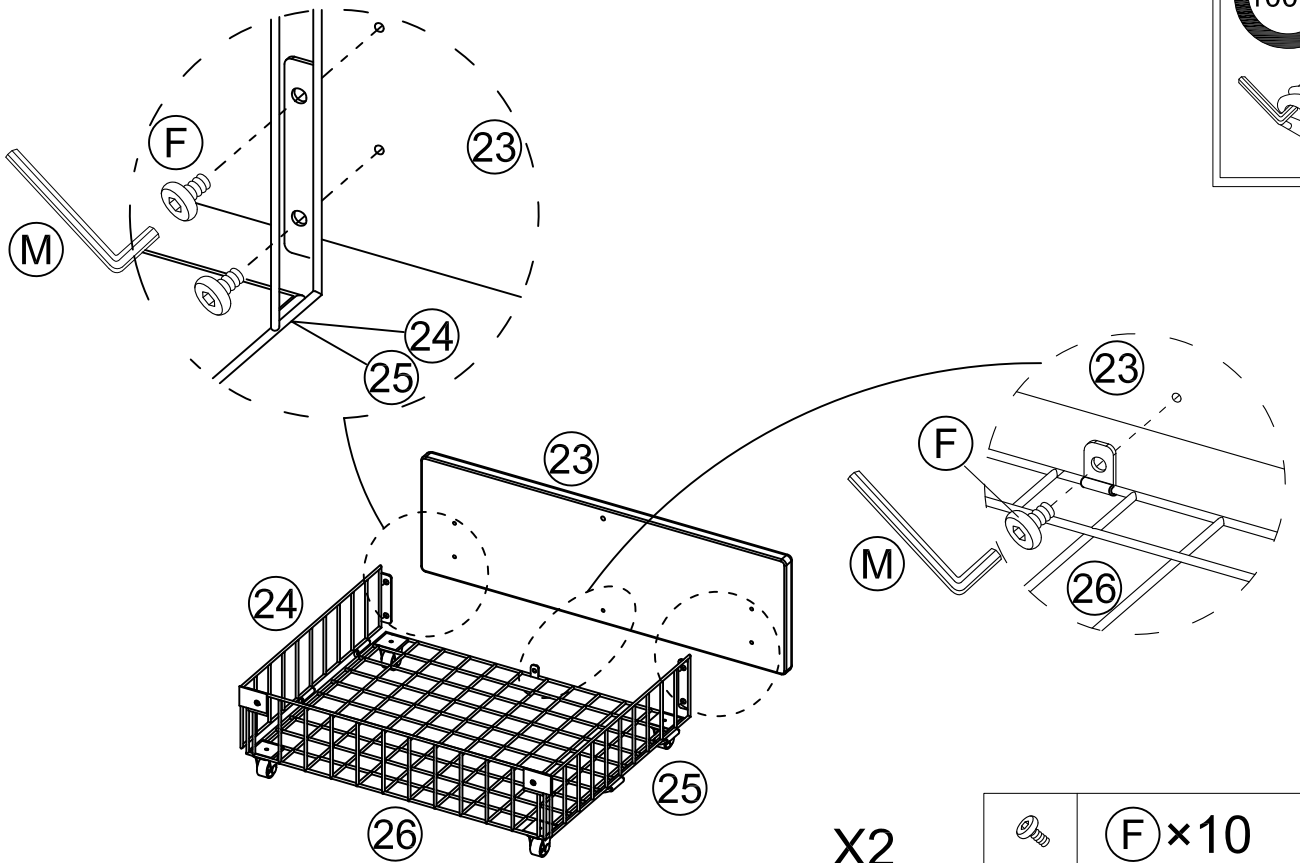




31



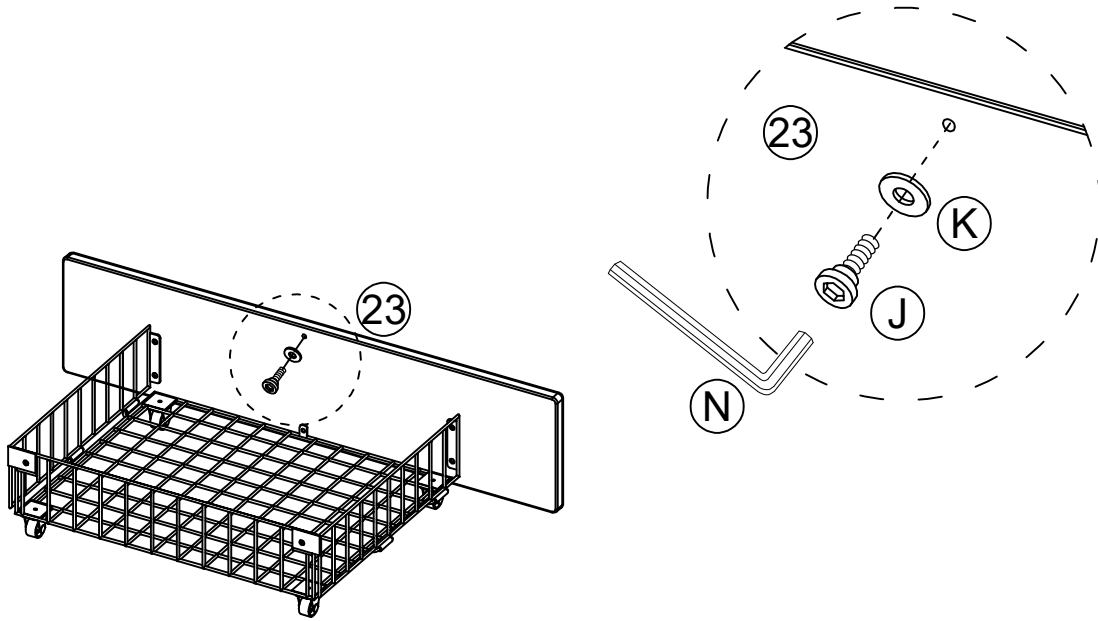
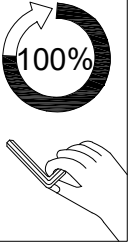
	(S) x 8
---	---------

32



	(F) x 10
	(M) x 1

33



X2

	ⓐ J x2
	ⓐ K x2
	ⓐ N x1

34

