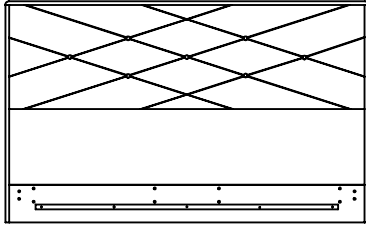
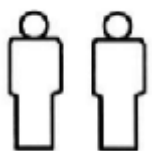
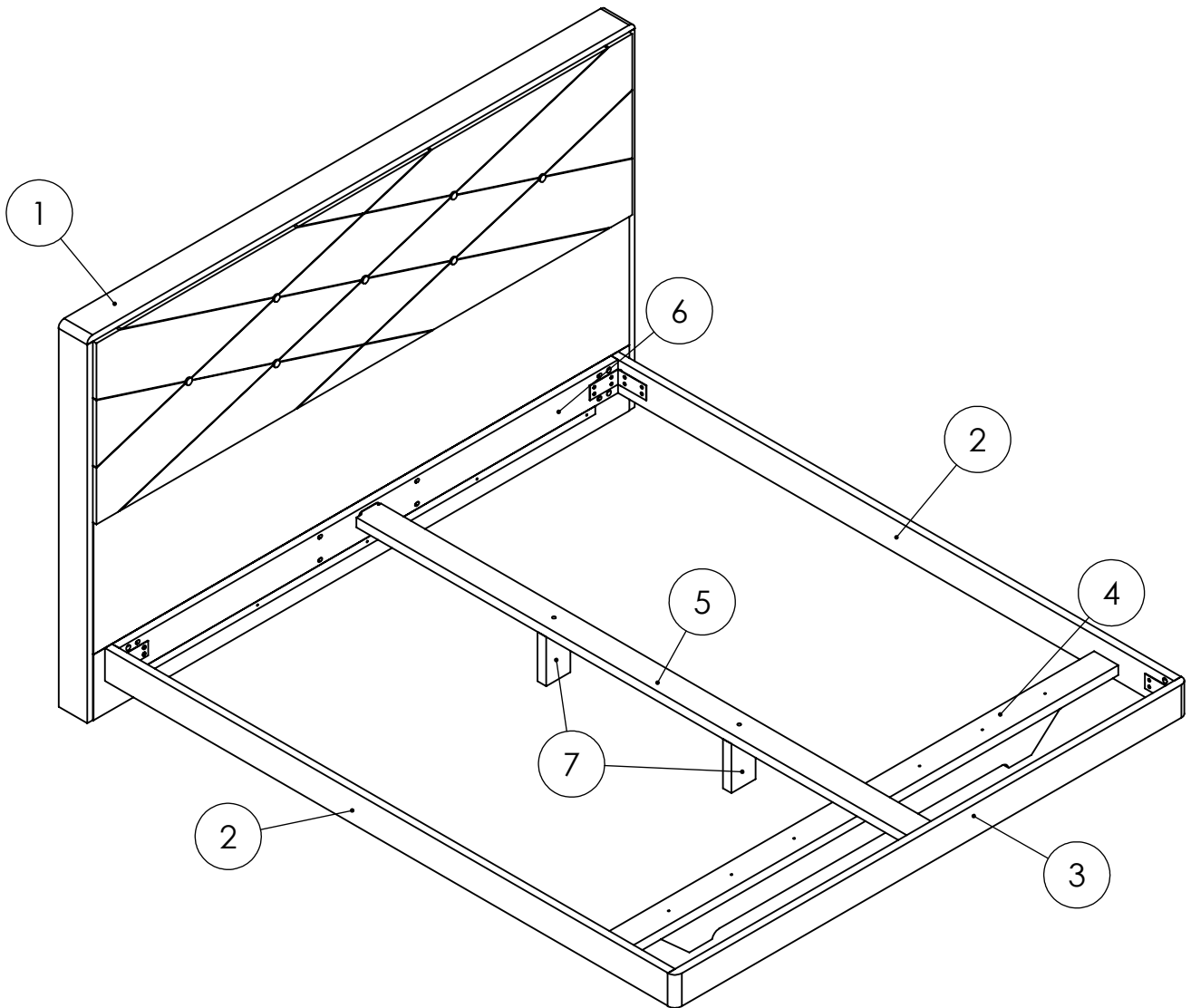


LORDEN BETT

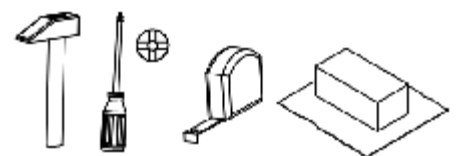
TYPE 1

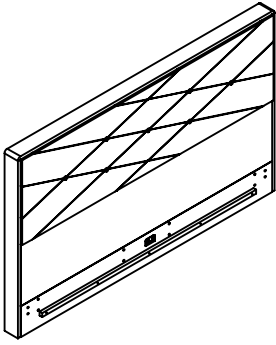


TYPE 2

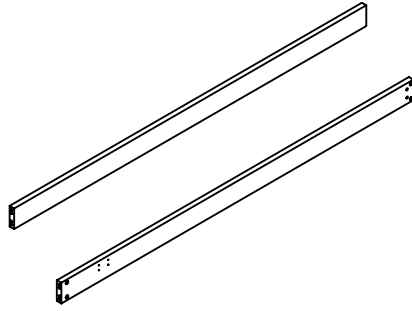


45 min

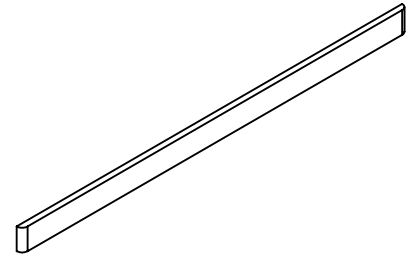




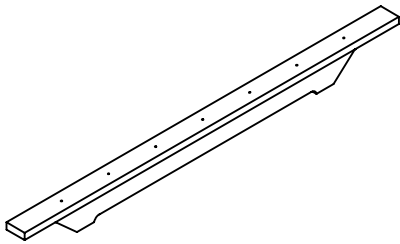
1. 1 stk



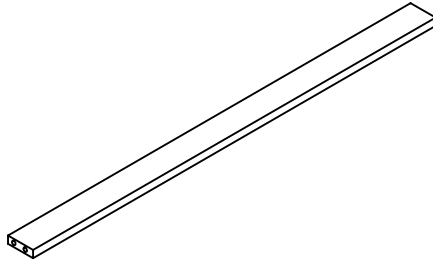
2. 2 stk



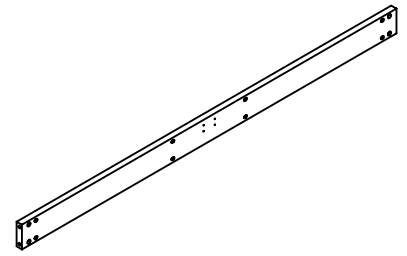
3. 1 stk



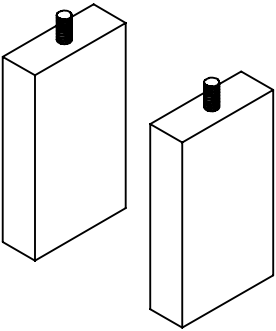
4. 1 stk



5. 1 stk

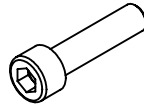


6. 1 stk



7. 2 stk

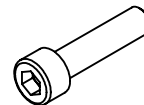
A



8x

M6X40

B



4x

M6X60

C



12x

M6

D



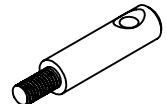
8x

E



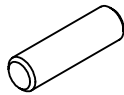
8x

F



8x

G



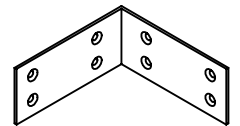
4x

H



4x

I



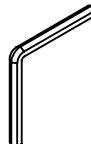
4x

J



32x

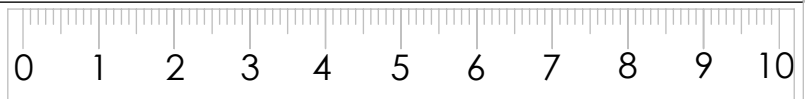
K



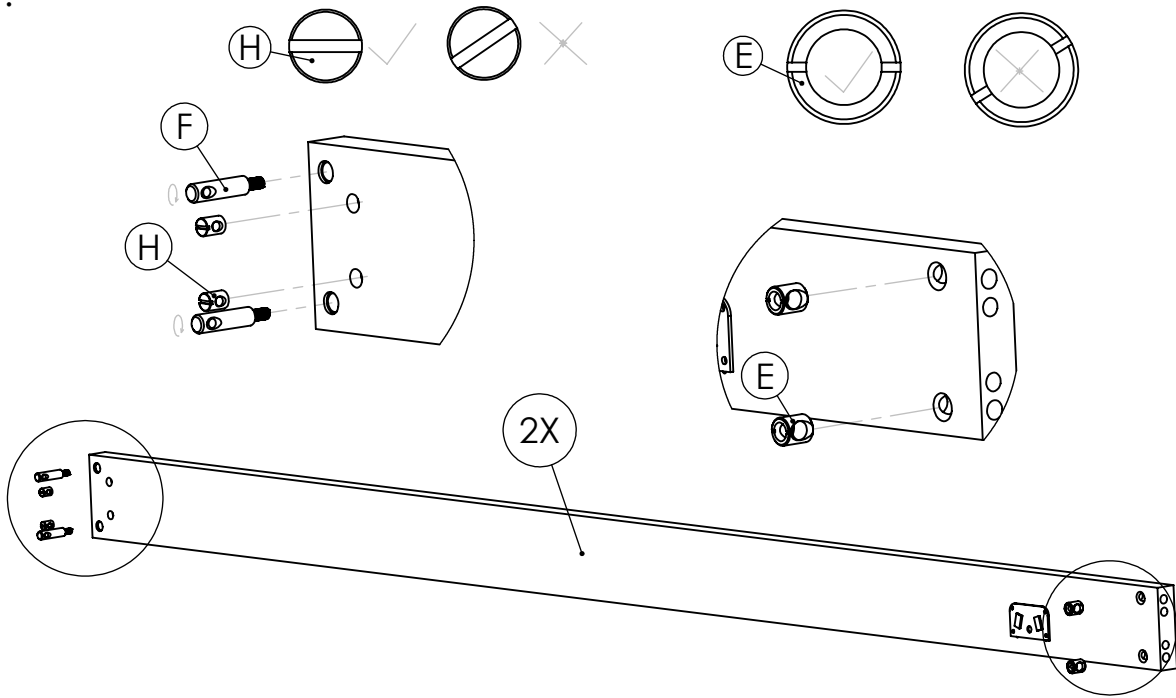
1x

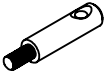


Part	Colli
1.	2/7
2.	1/7
3.	1/7
4.	1/7
5.	1/7
6.	1/7
7.	1/7

Fittings colli 1/7

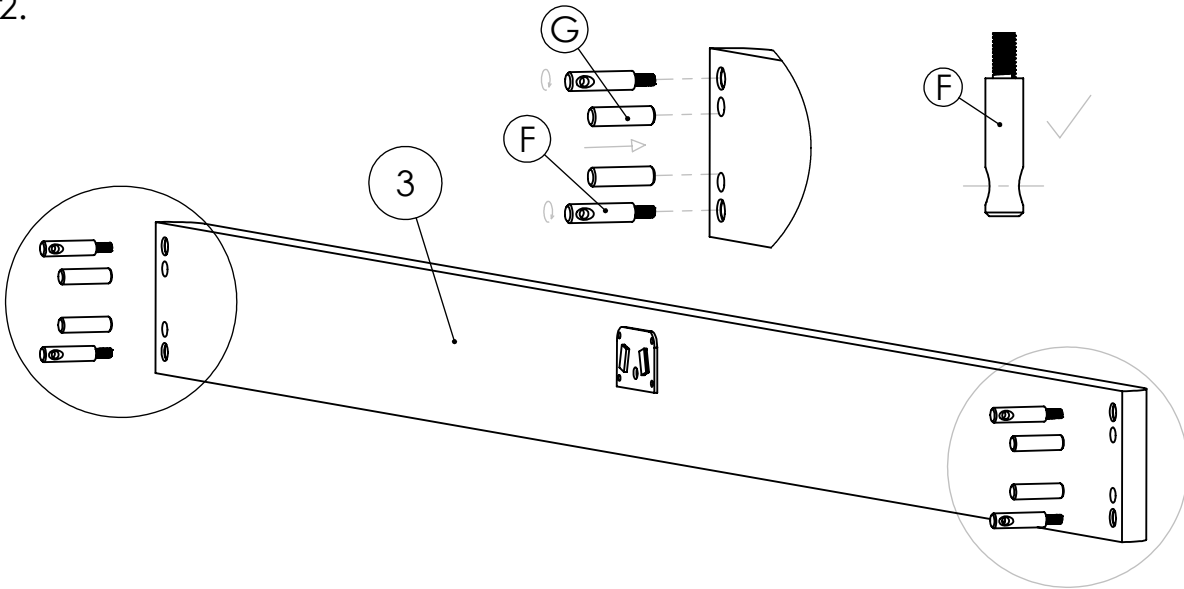


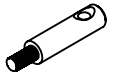
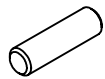
1.



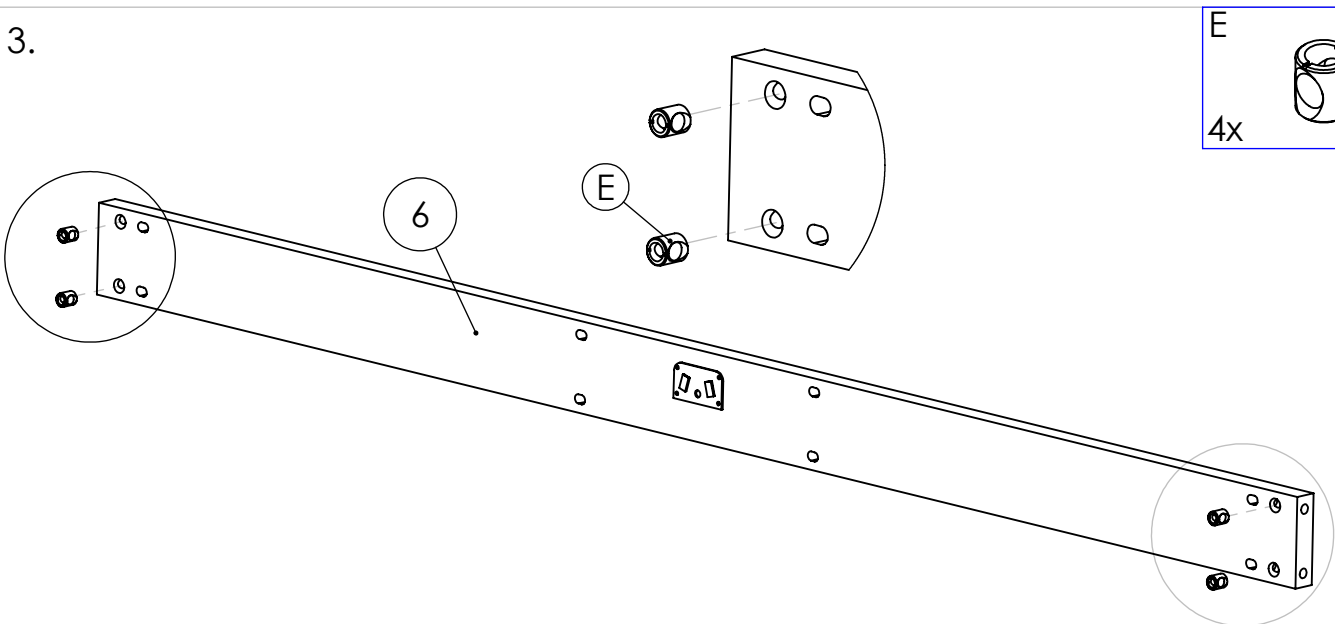
F	
4x	
E	
4x	
H	
4x	


2.



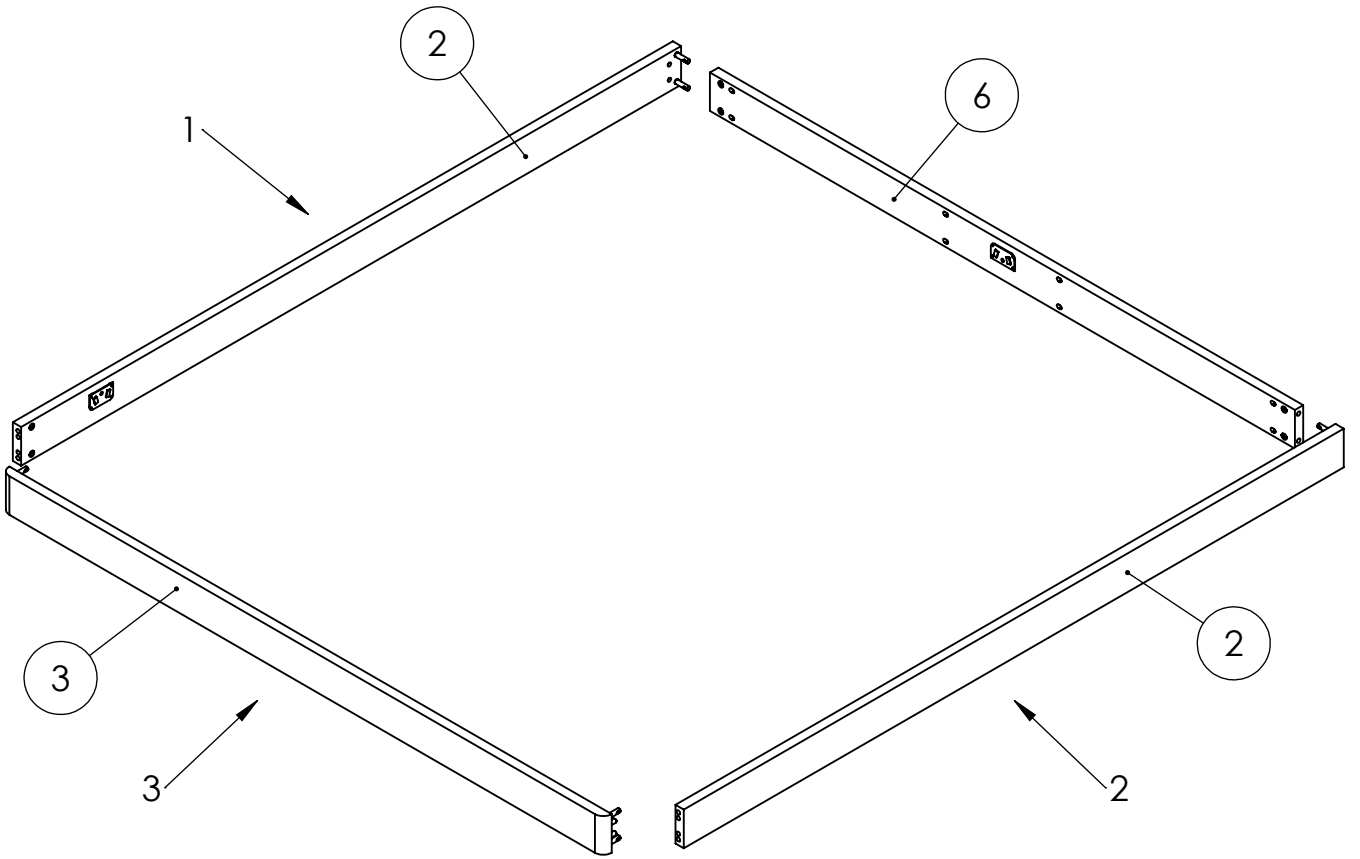
F	
4x	
G	
4x	

3.

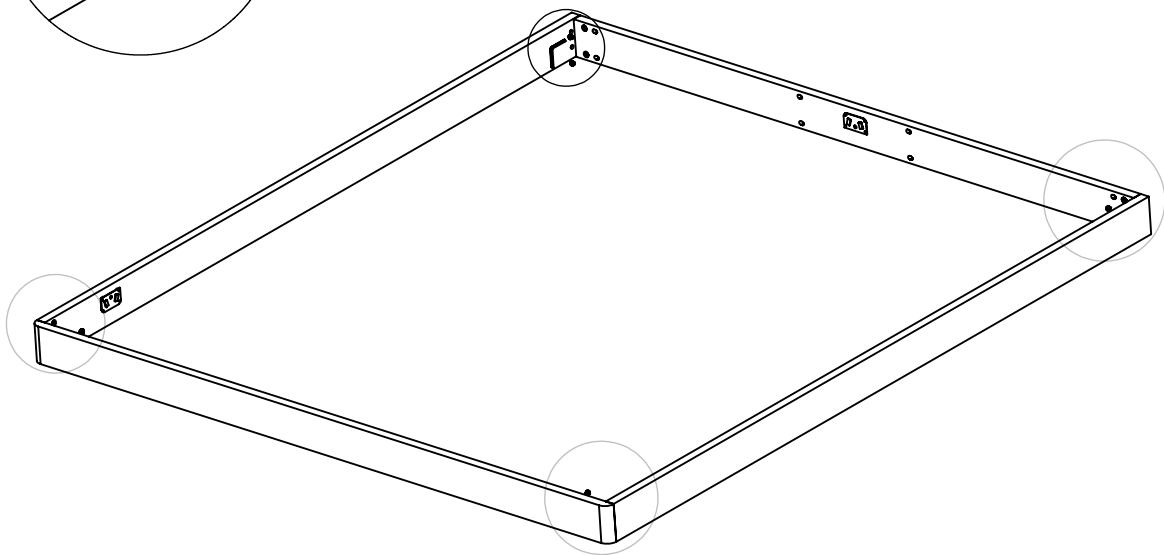
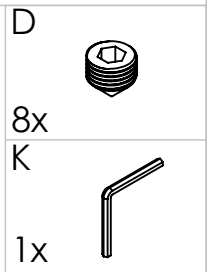
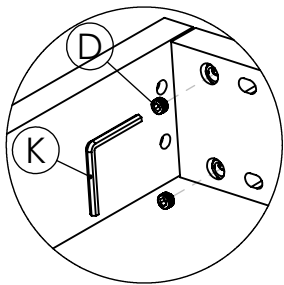


E	
4x	

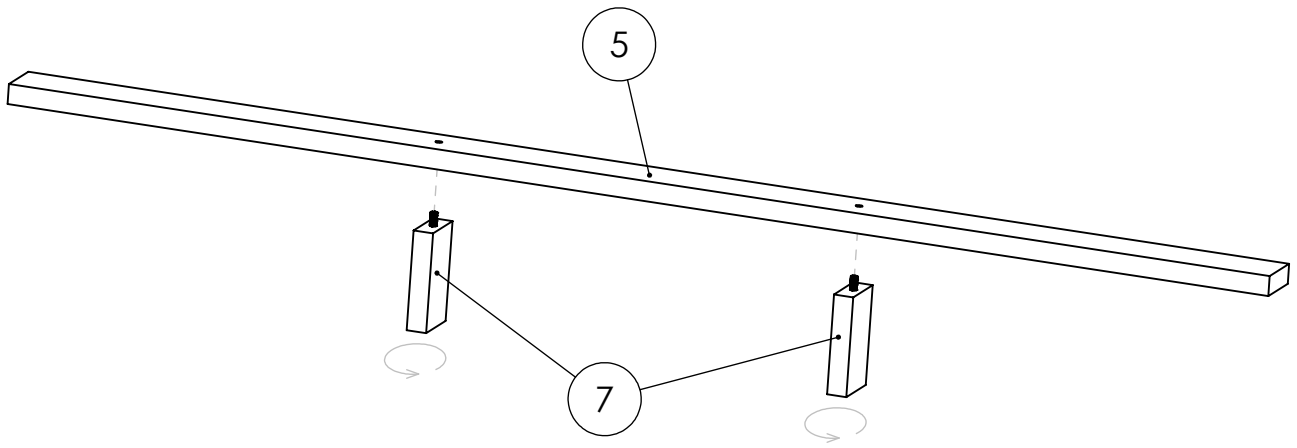
4.



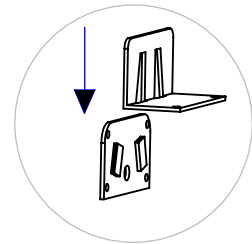
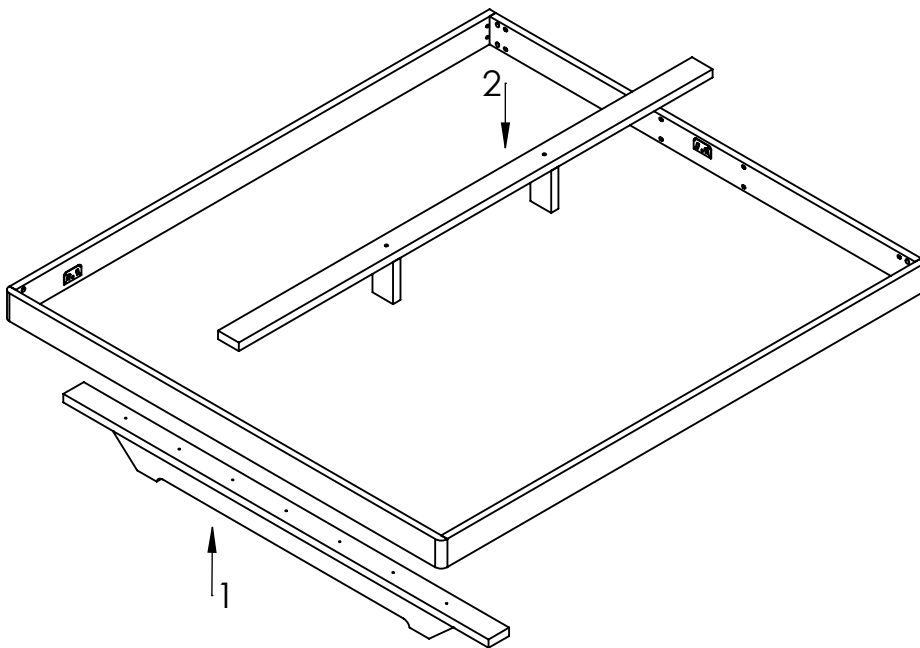
5.



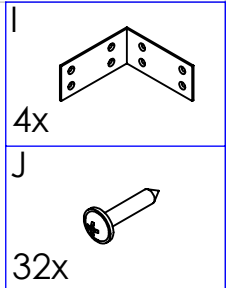
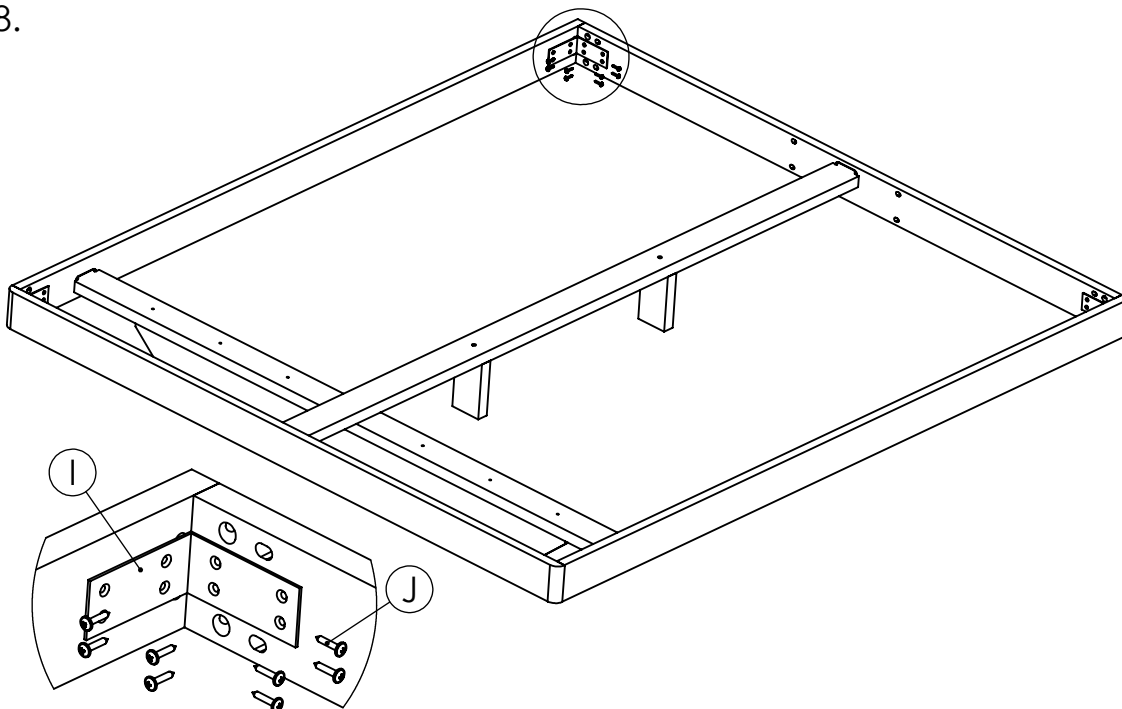
6.



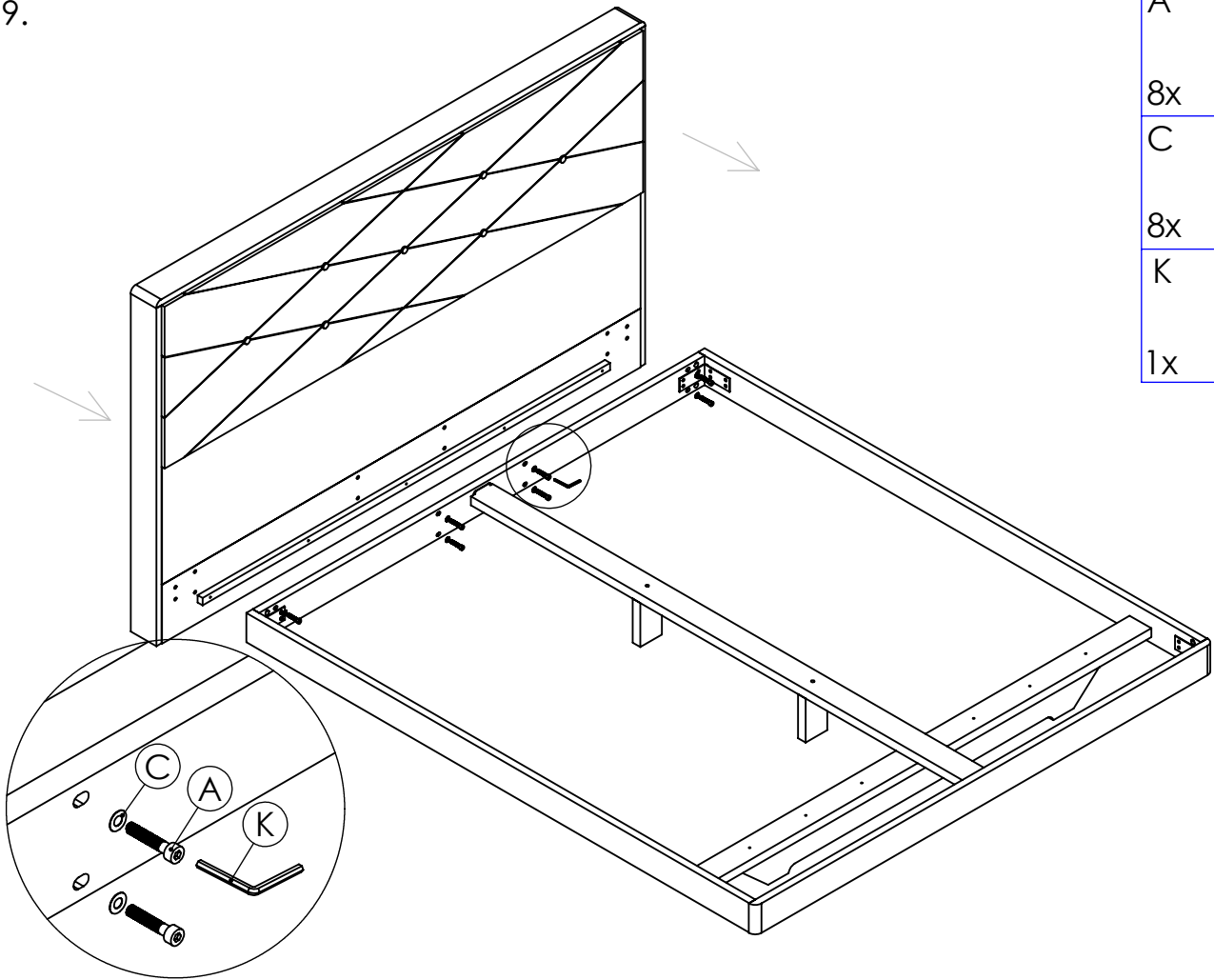
7.

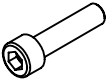

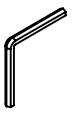


8.

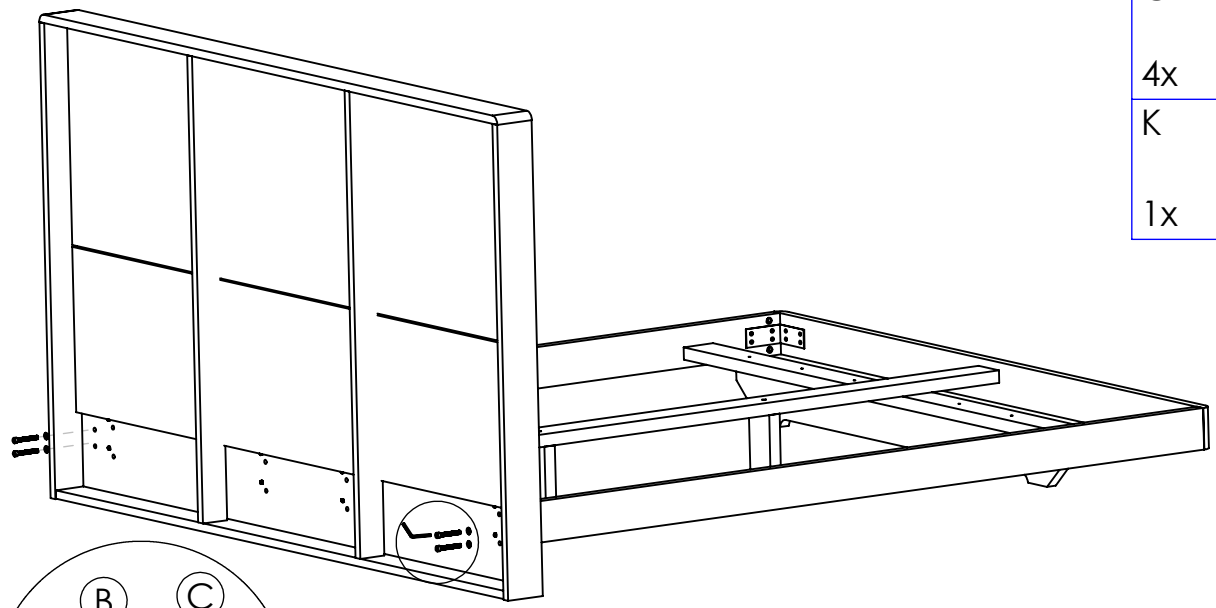


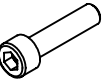


9.

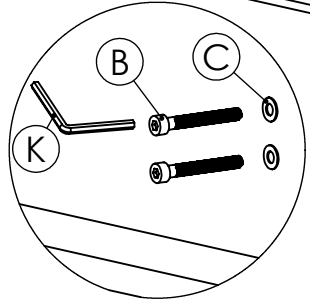


- A  M6X40
- 8x
- C 
- 8x
- K 
- 1x

10.



- B  M6X60
- 4x
- C 
- 4x
- K 
- 1x



11.

