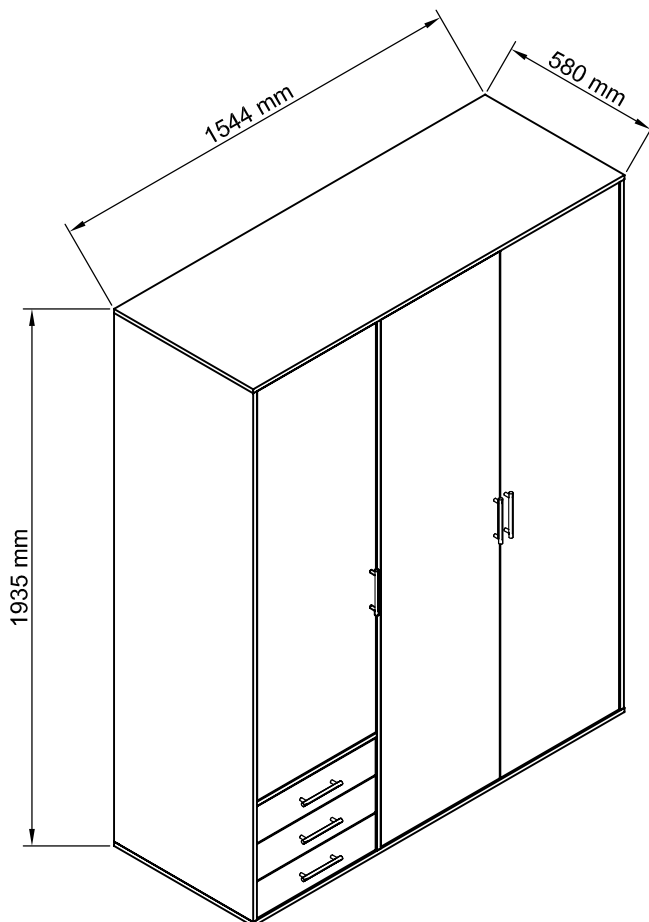
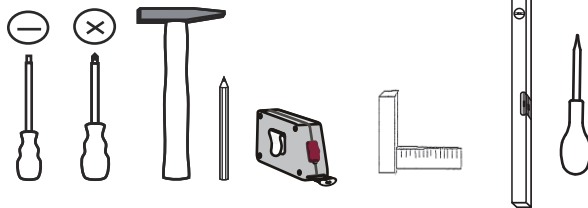
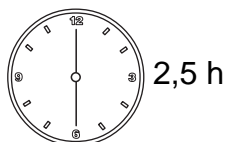
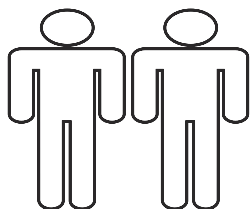
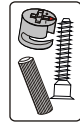
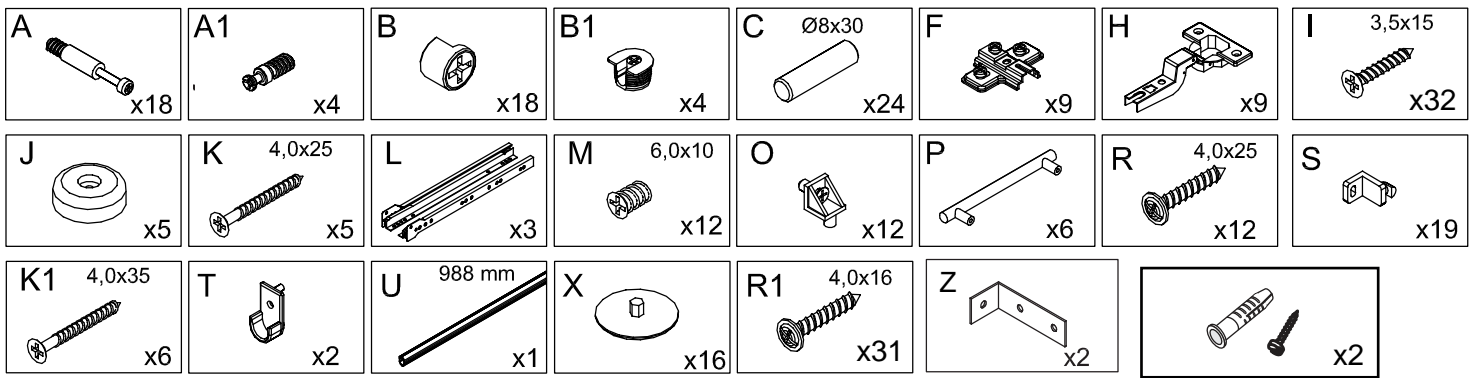


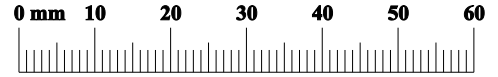
# LYSS KLS 3-trg. 3SK

58-473-...-9



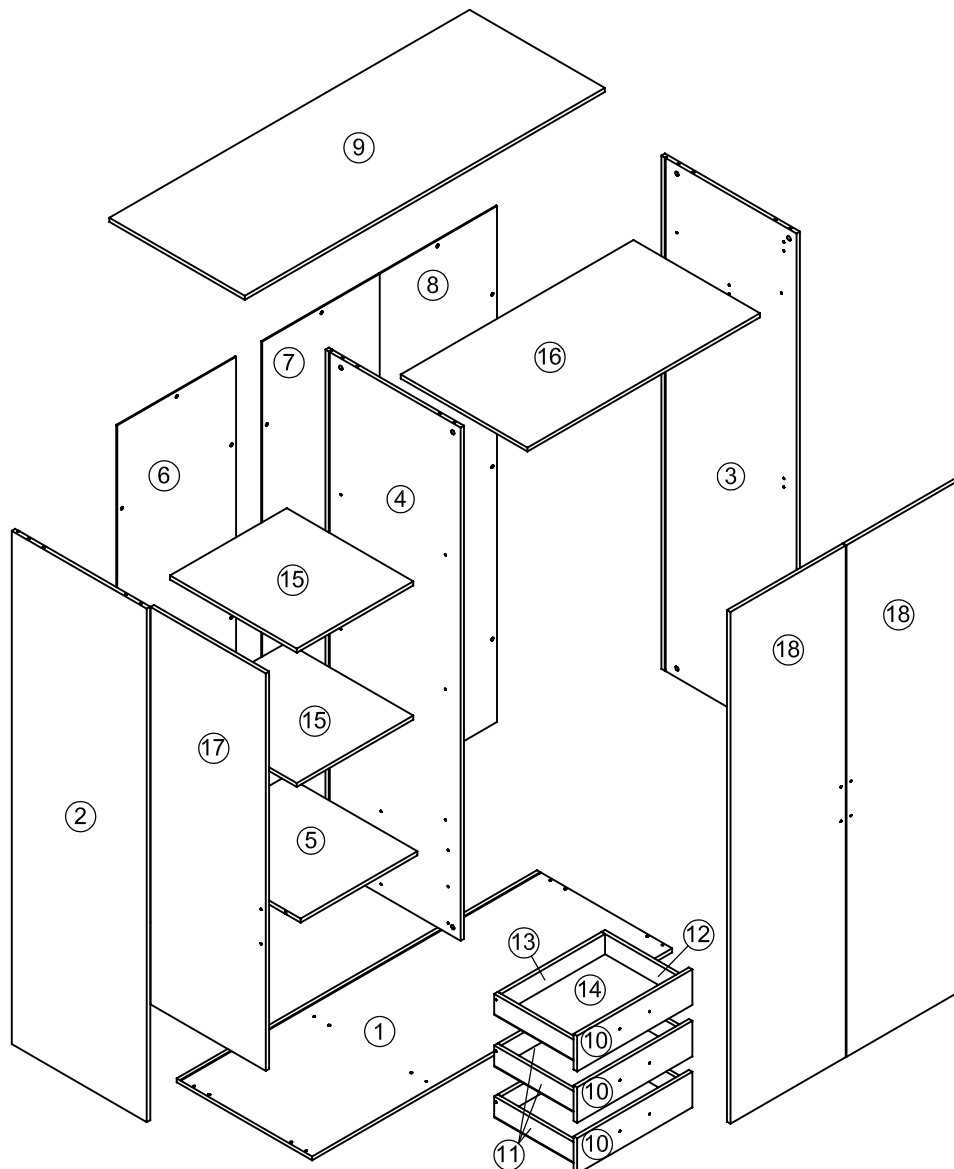



1/3

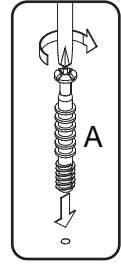
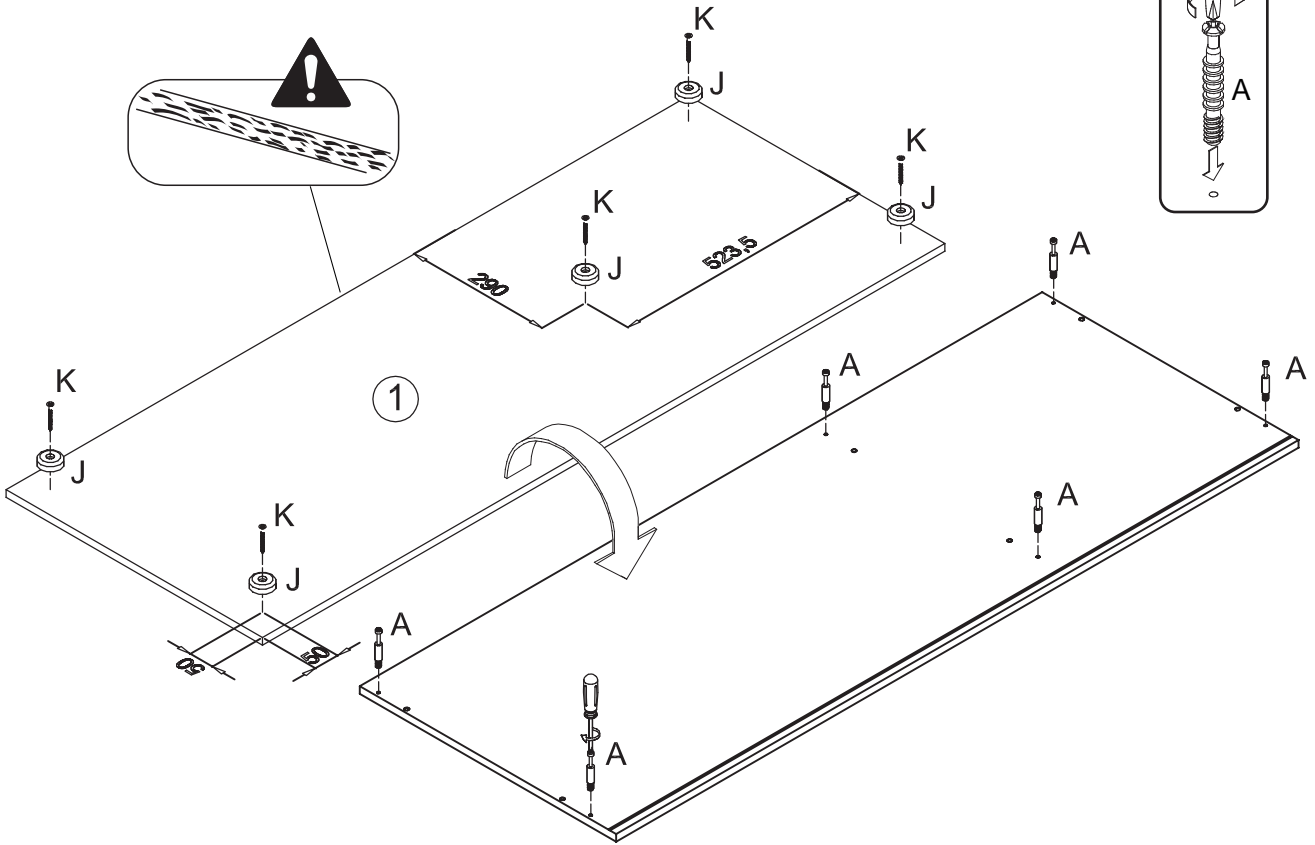
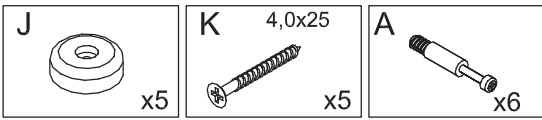


Nr	Ausmaß	Stücke	Colli
1	1544x580x15	1	1/3
2	1905x579x15	1	3/3
3	1905x579x15	1	3/3
4	1905x579x15	1	3/3
5	500x560x15	1	2/3
6	1915x510x3	1	3/3
7	1915x503x3	1	3/3
8	1915x503x3	1	3/3
9	1544x580x15	1	1/3

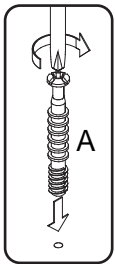
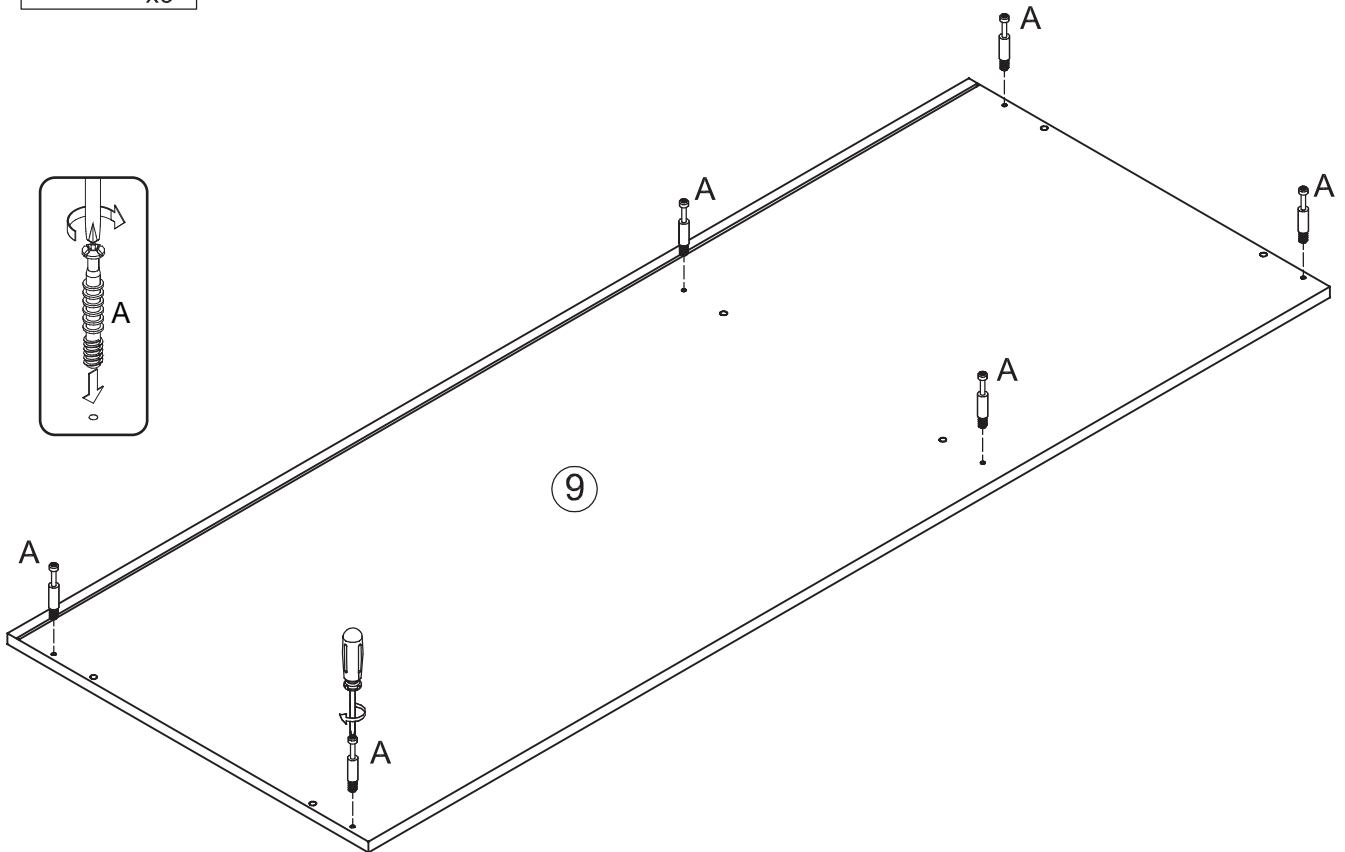
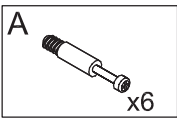
Nr	Ausmaß	Stücke	Colli
10	494x132x15	2	2/3
11	350x75x15	3	1/3
12	350x75x15	3	1/3
13	445x75x15	2	1/3
14	473x356x3	2	1/3
15	500x543x15	2	2/3
16	997x543x15	1	1/3
17	1475x494x15	1	2/3
18	1899x494x15	2	2/3



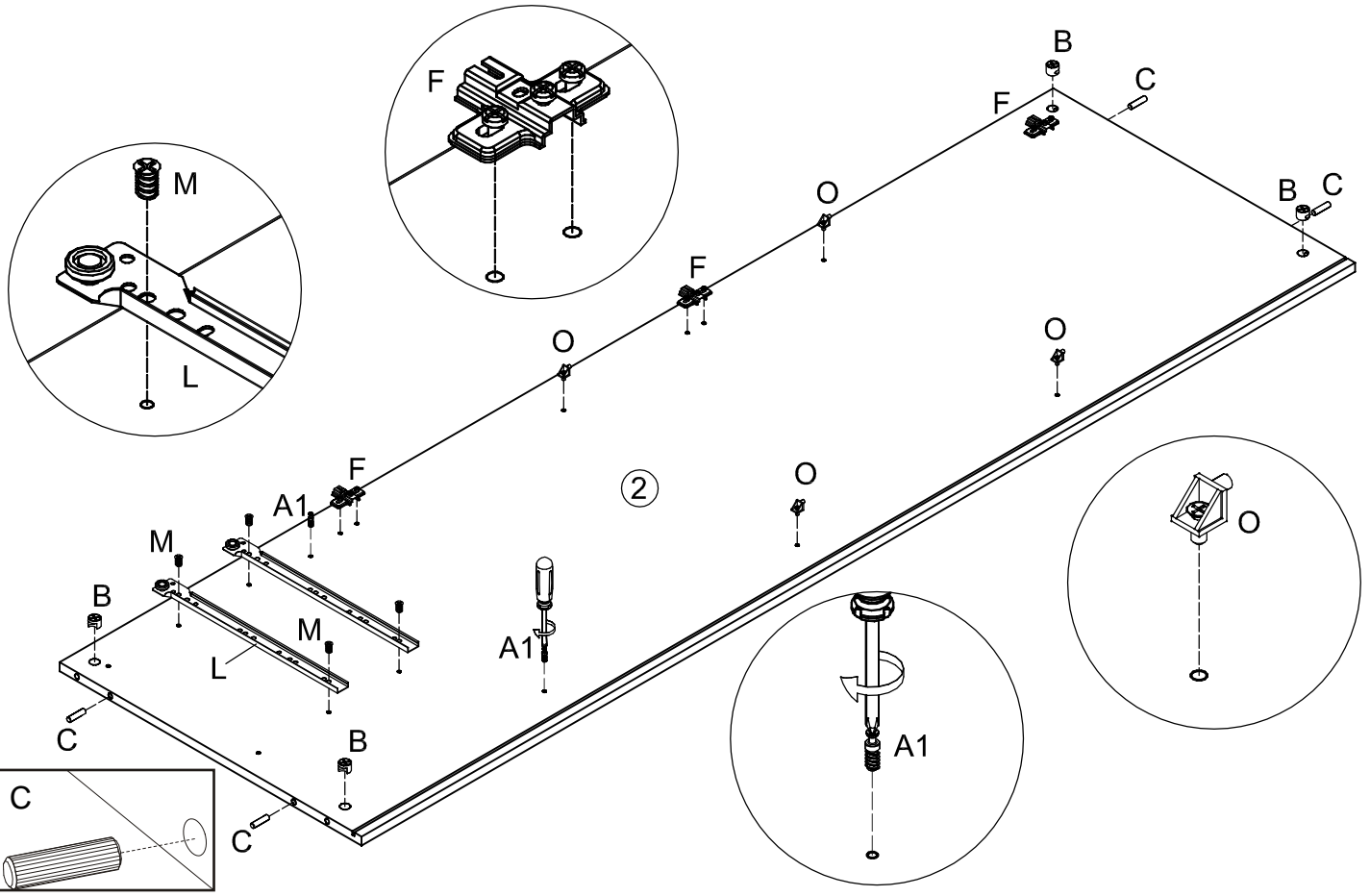
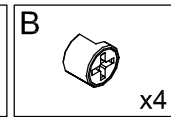
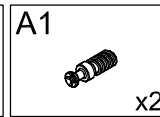
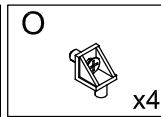
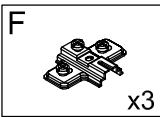
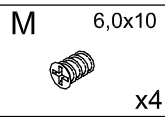
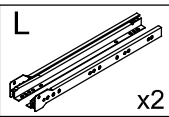
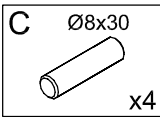
1



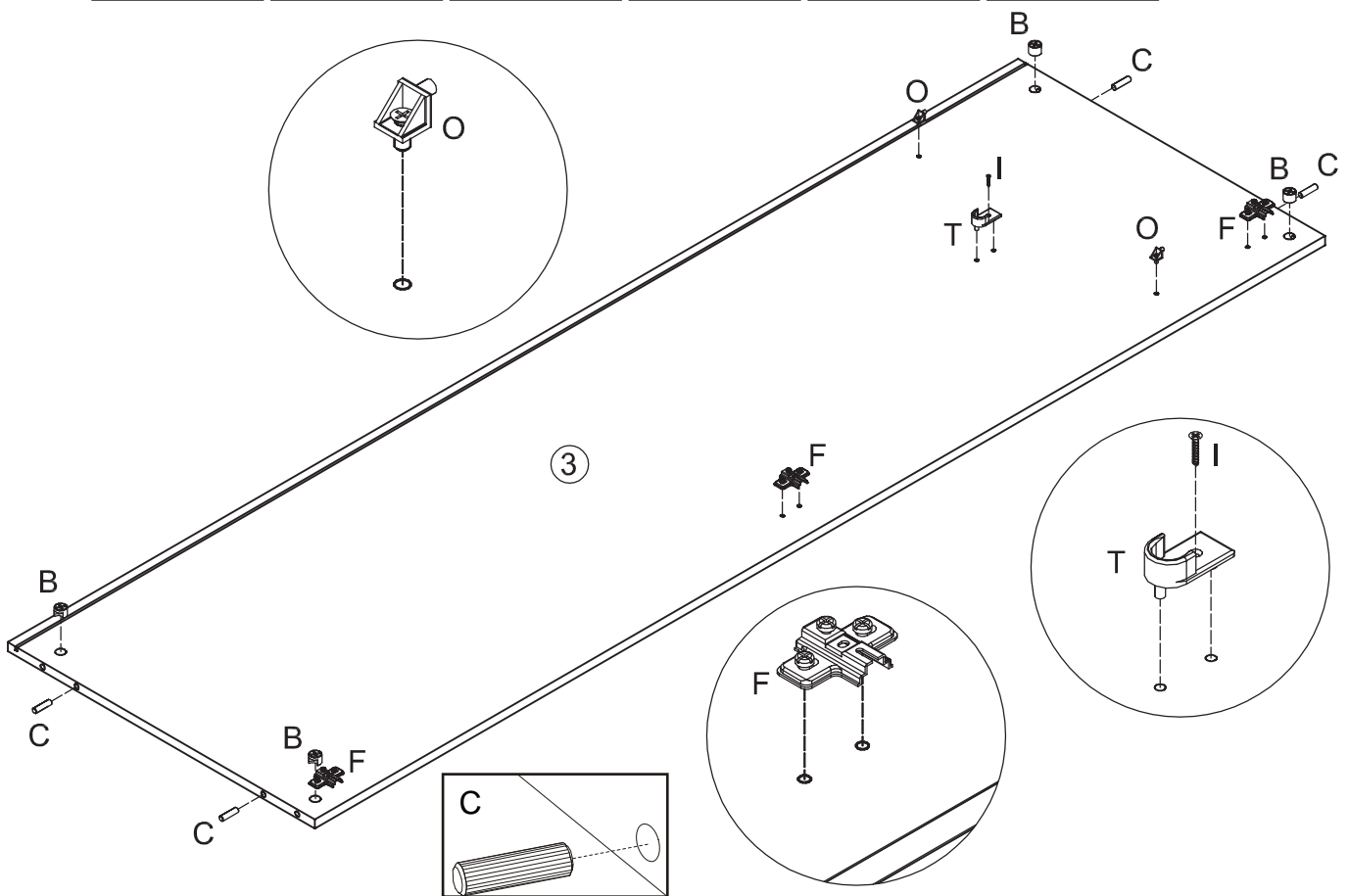
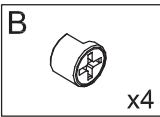
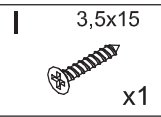
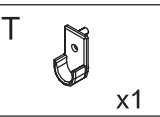
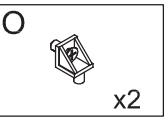
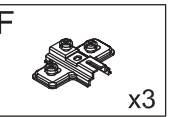
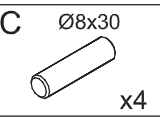
2



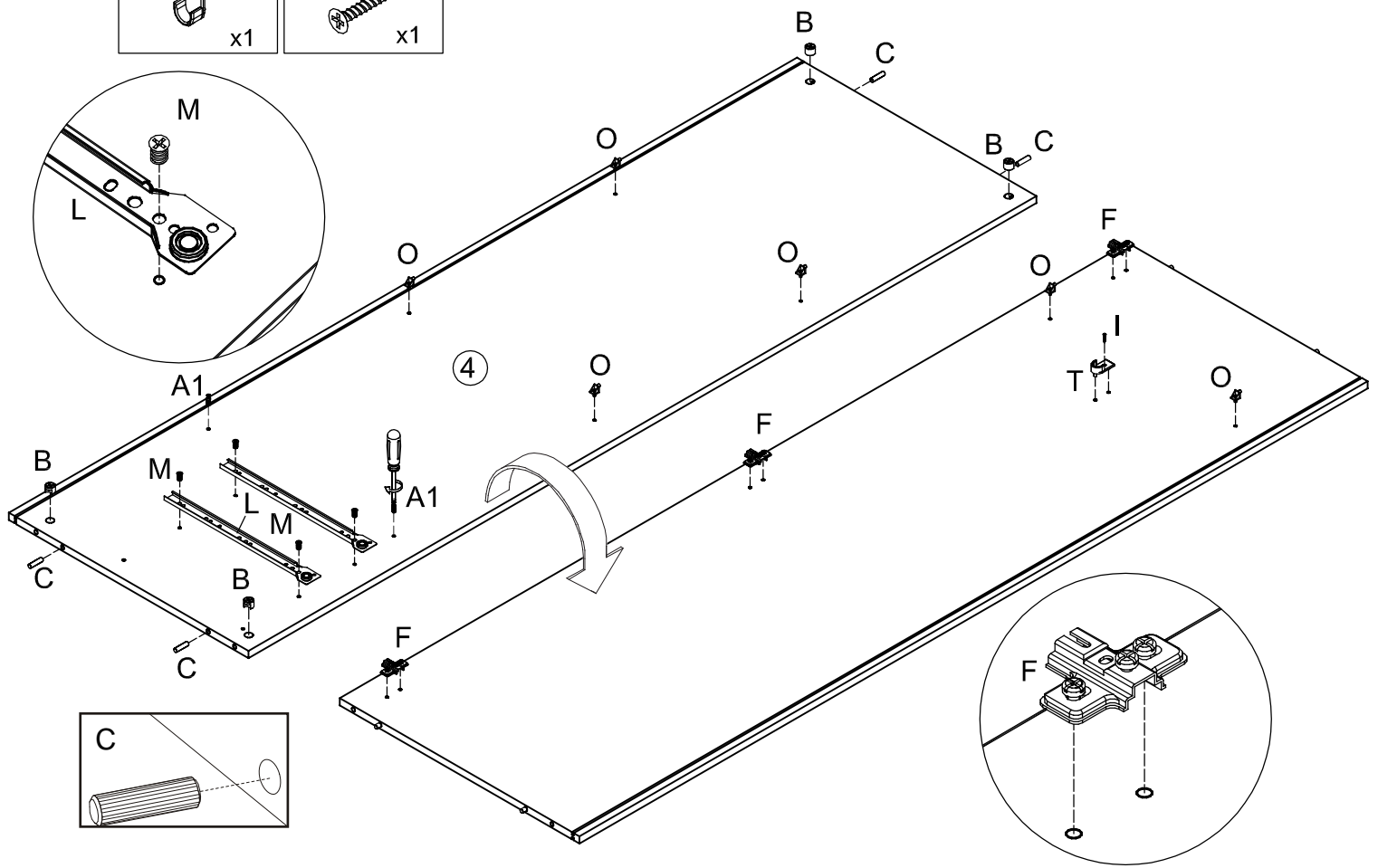
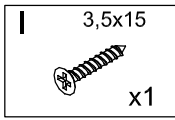
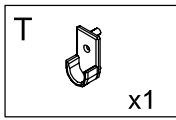
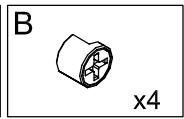
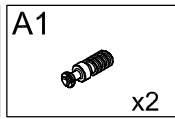
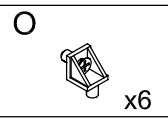
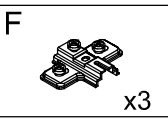
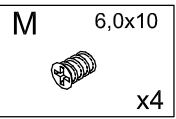
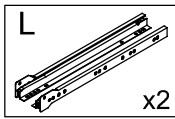
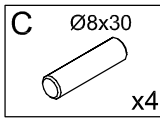
3



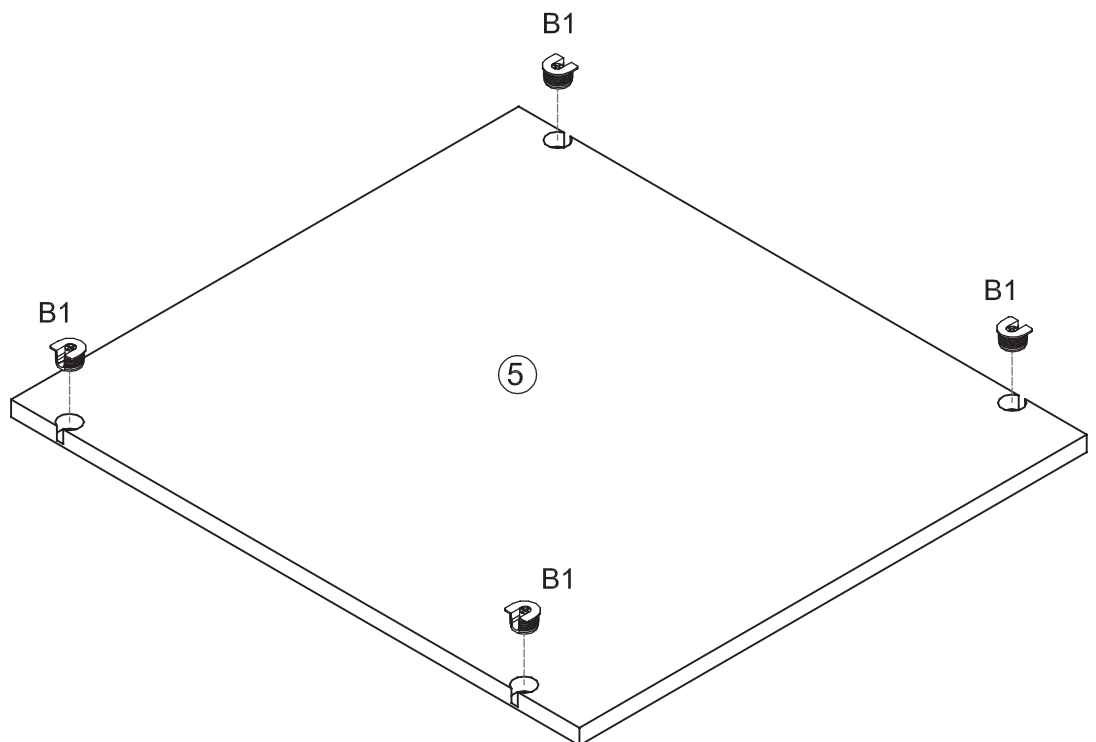
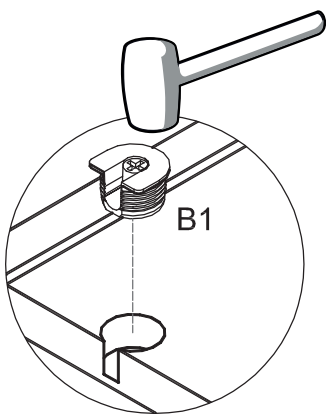
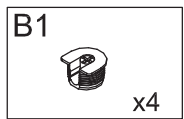
4



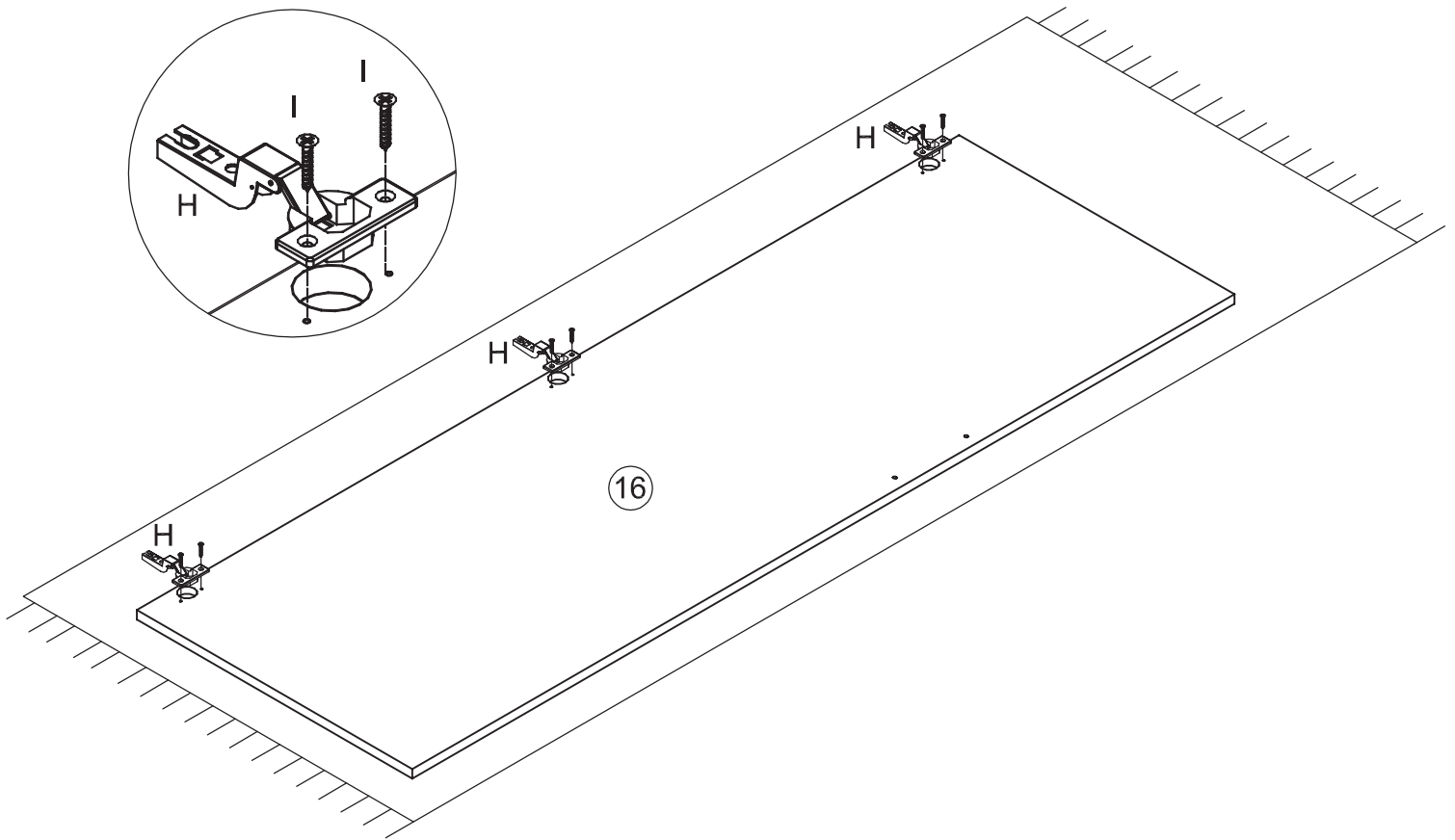
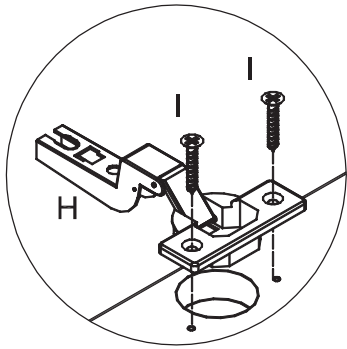
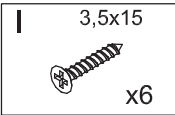
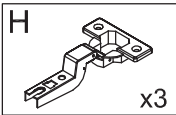
5



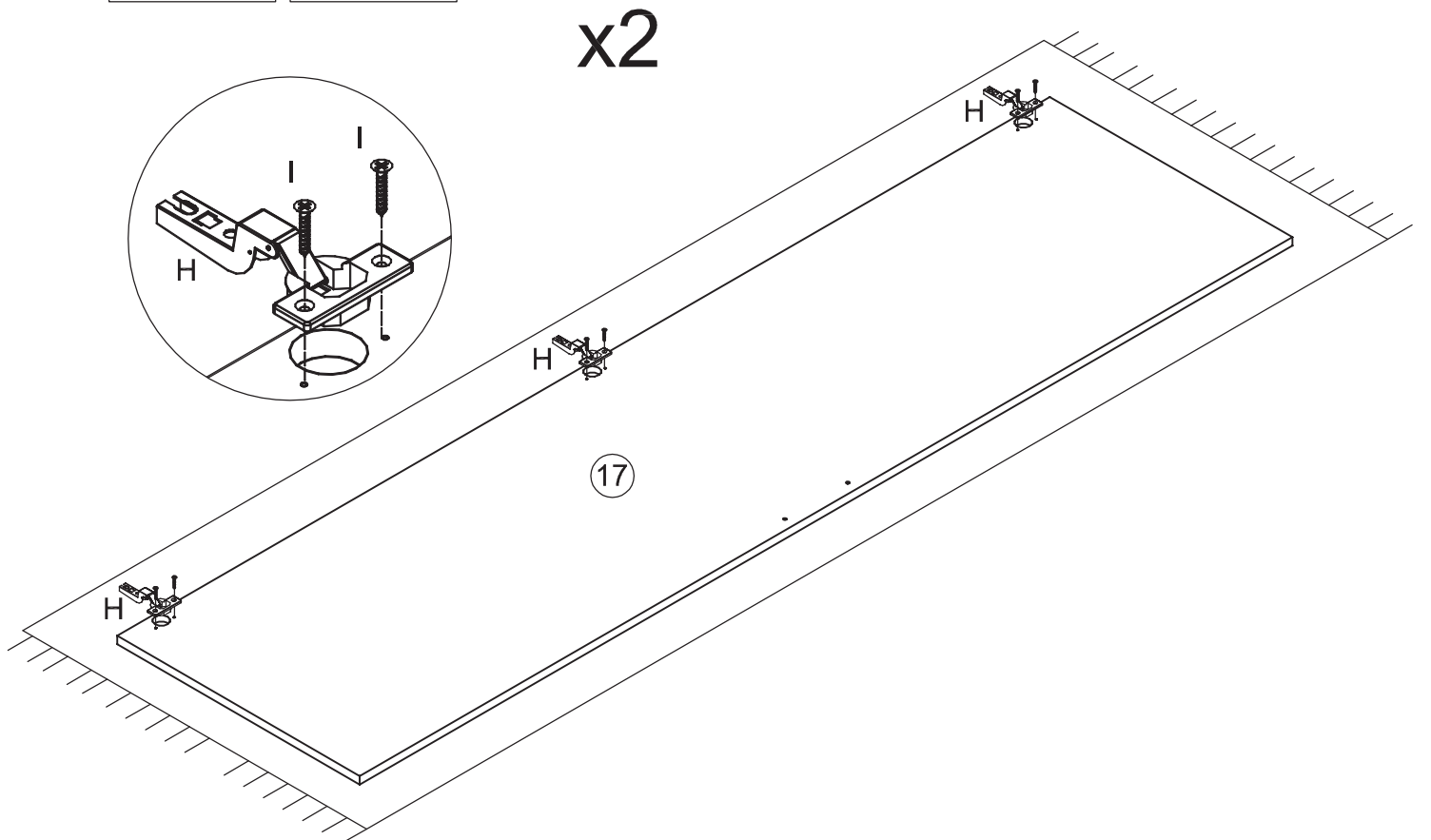
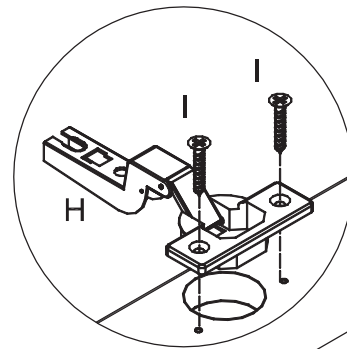
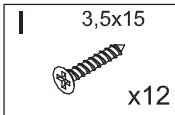
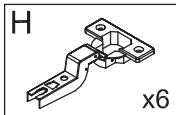
6



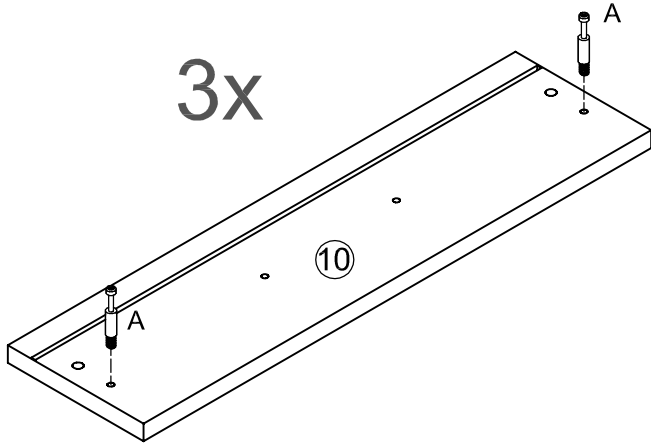
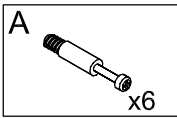
7



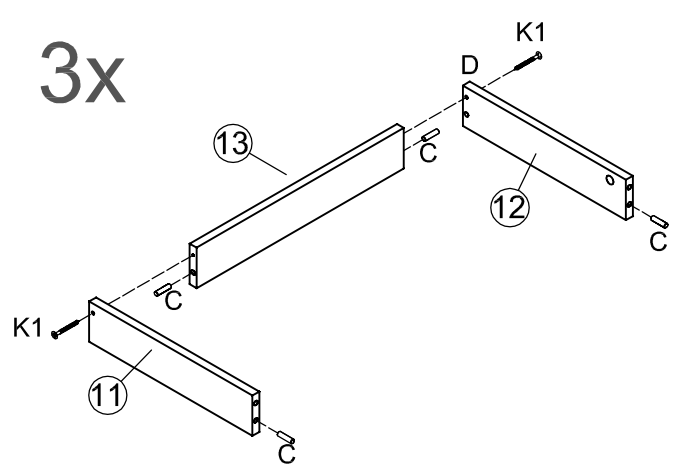
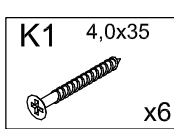
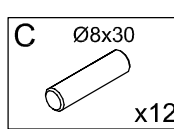
8



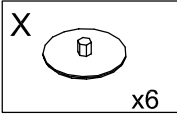
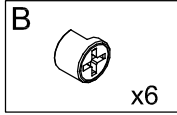
9a



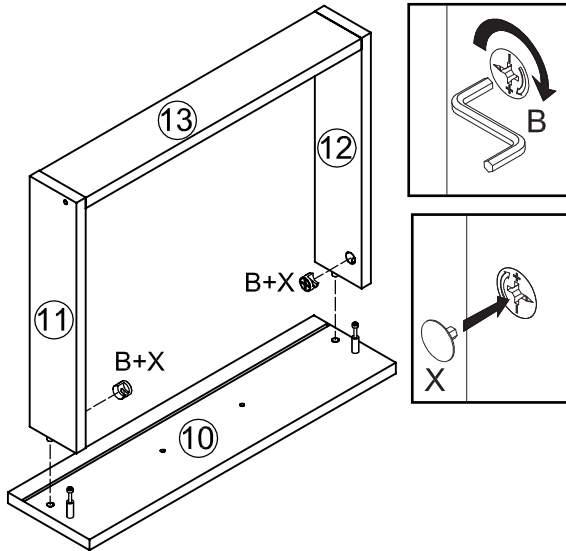
9b



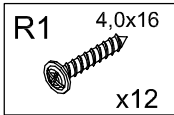
9c



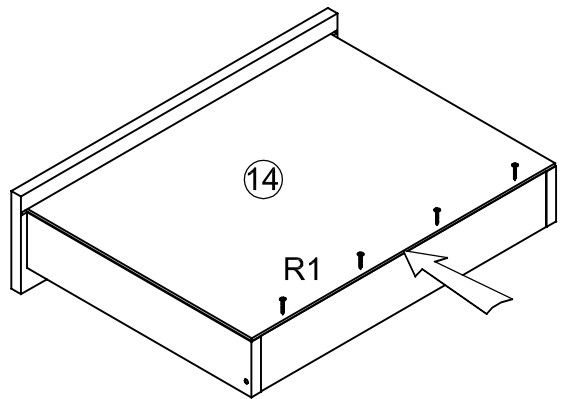
3x



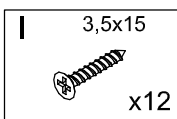
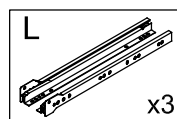
9d



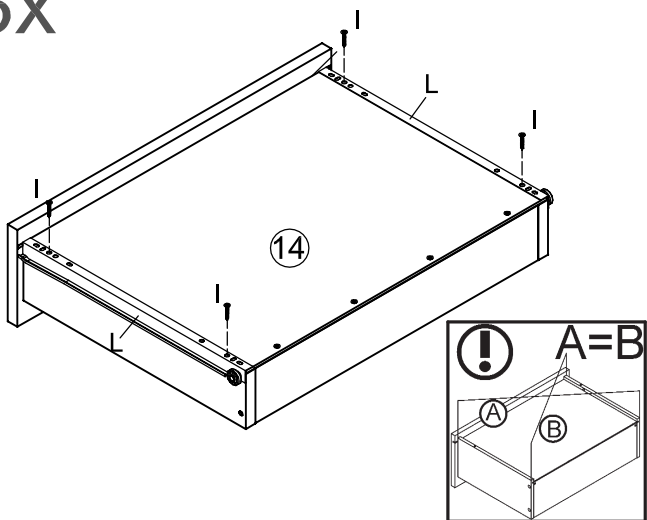
3x



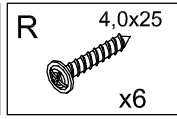
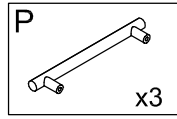
9e



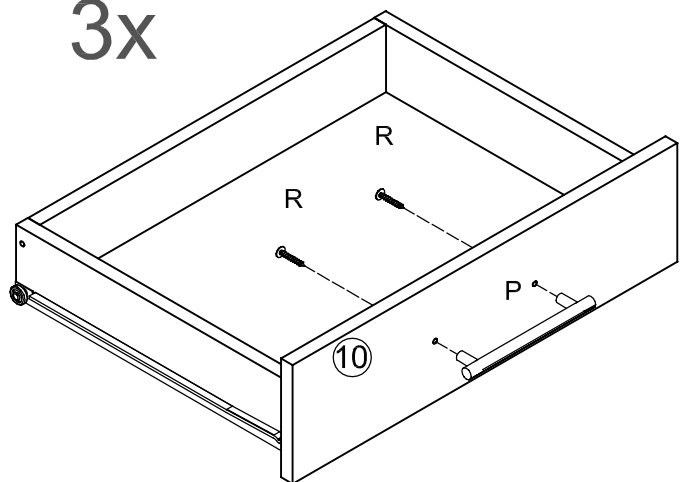
3x



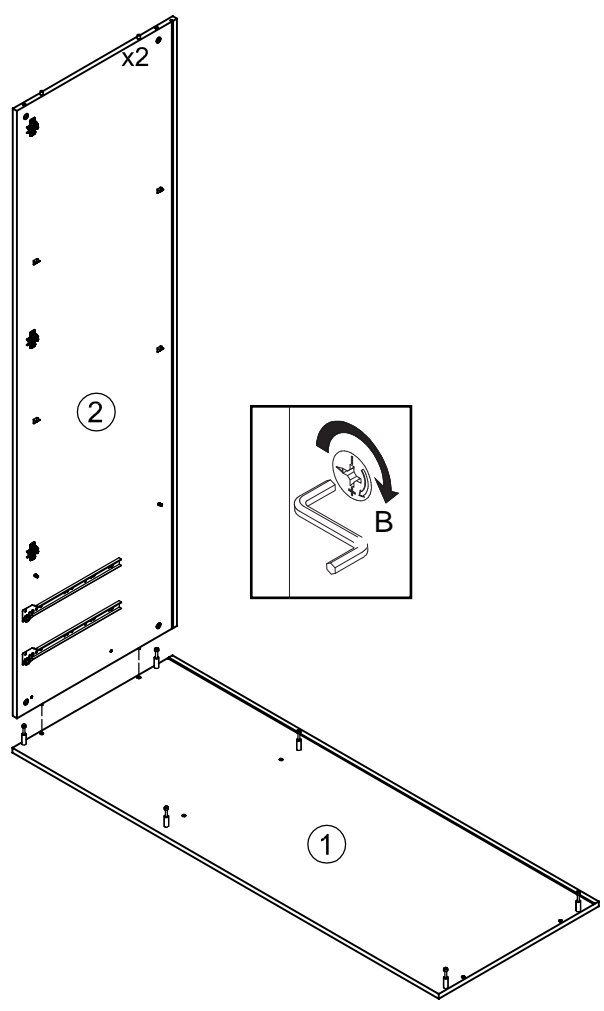
9f



3x

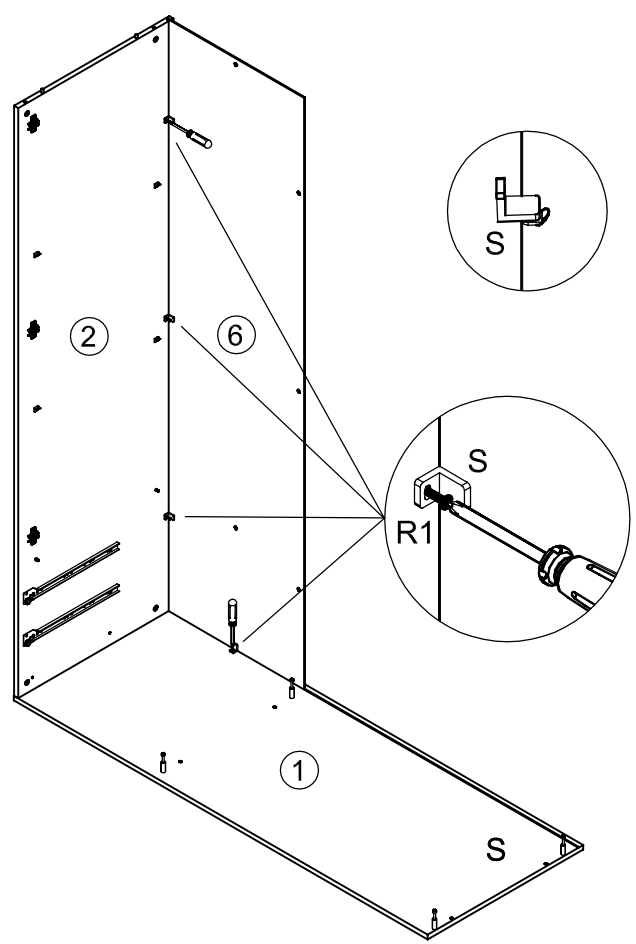


10

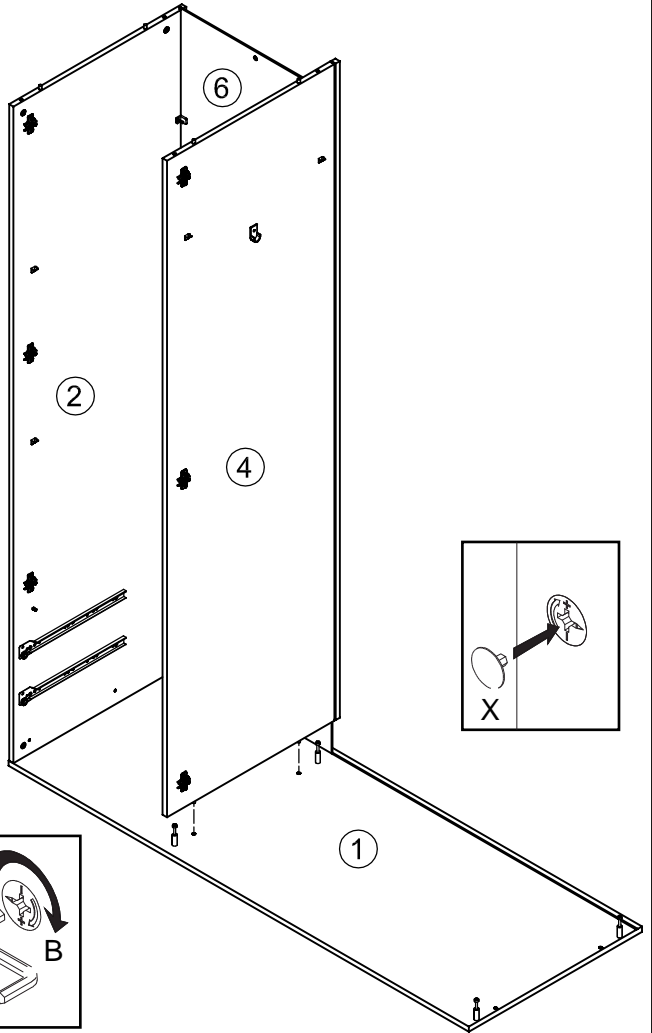


11

- S  x4
- R1  4,0x16 x4

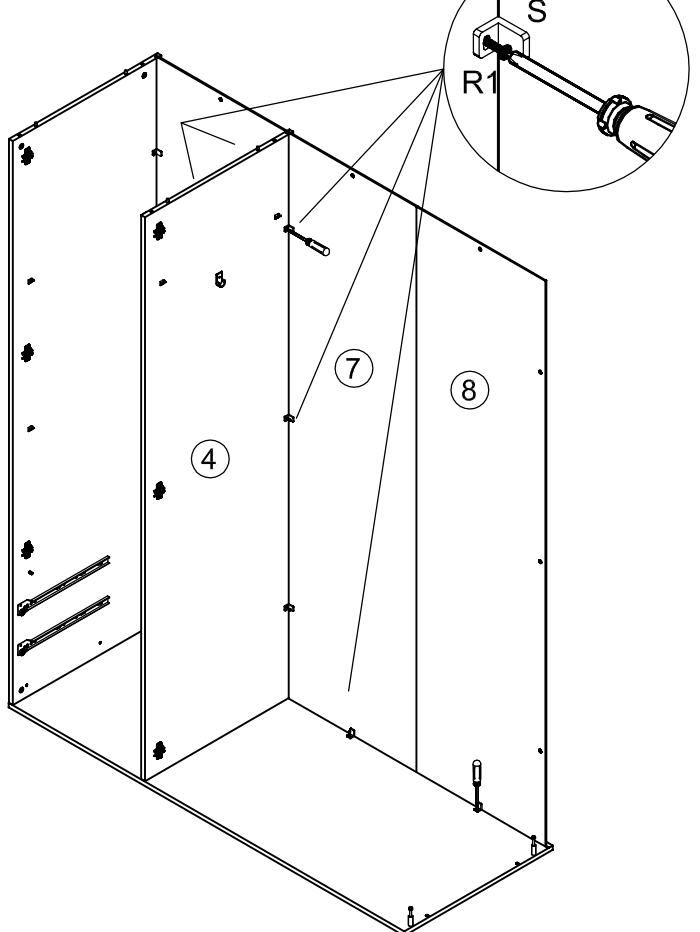


12



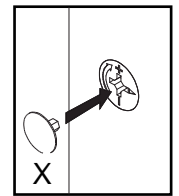
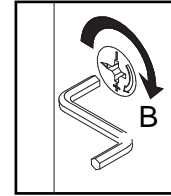
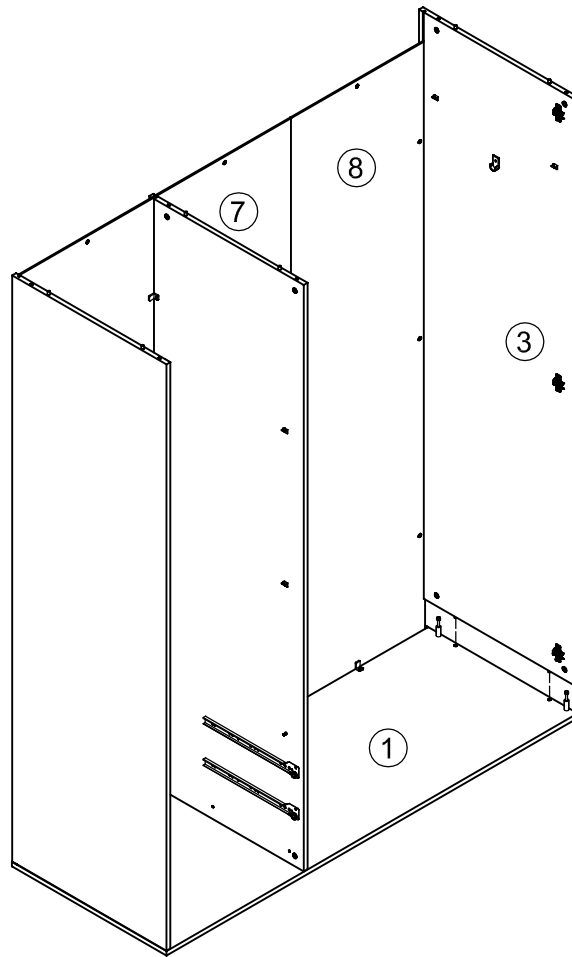
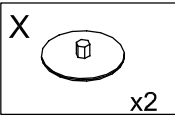
13

- S  x8
- R1  4,0x16 x8

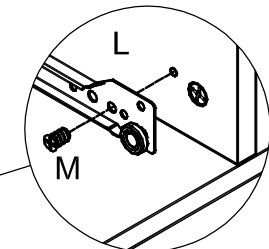
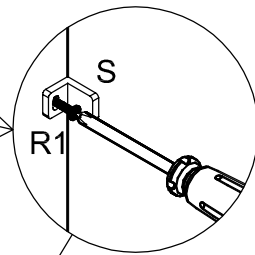
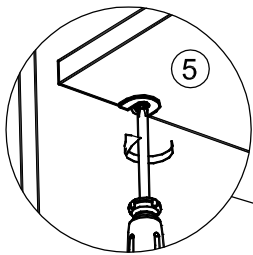
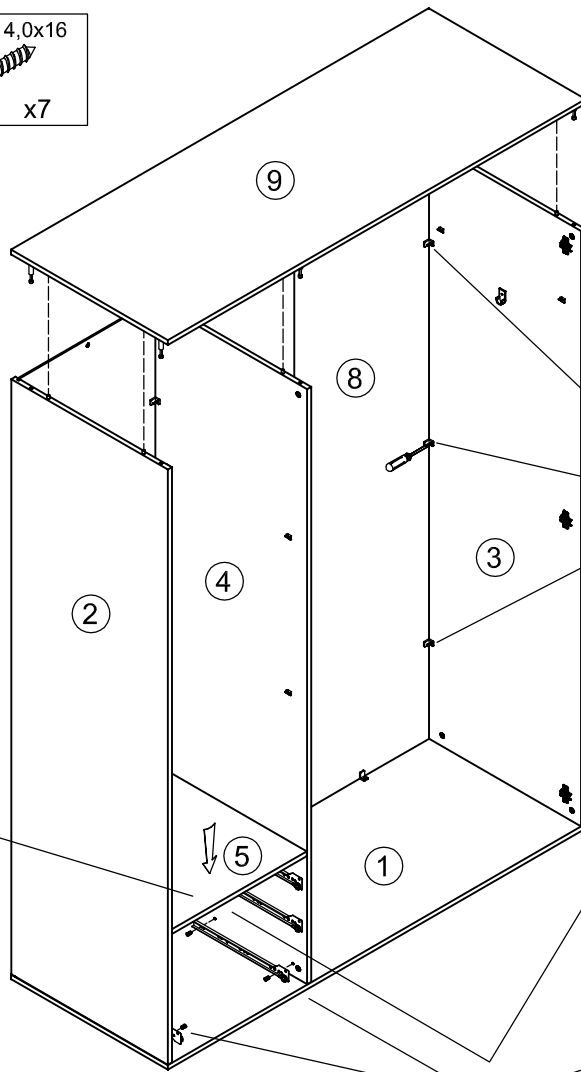
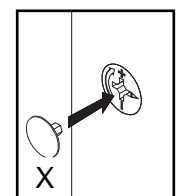
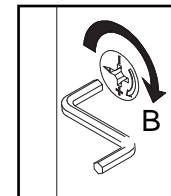
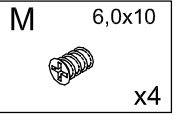
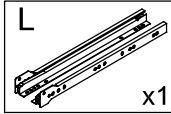
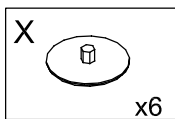
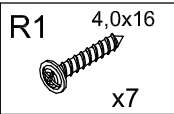
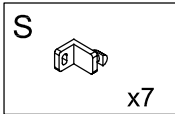




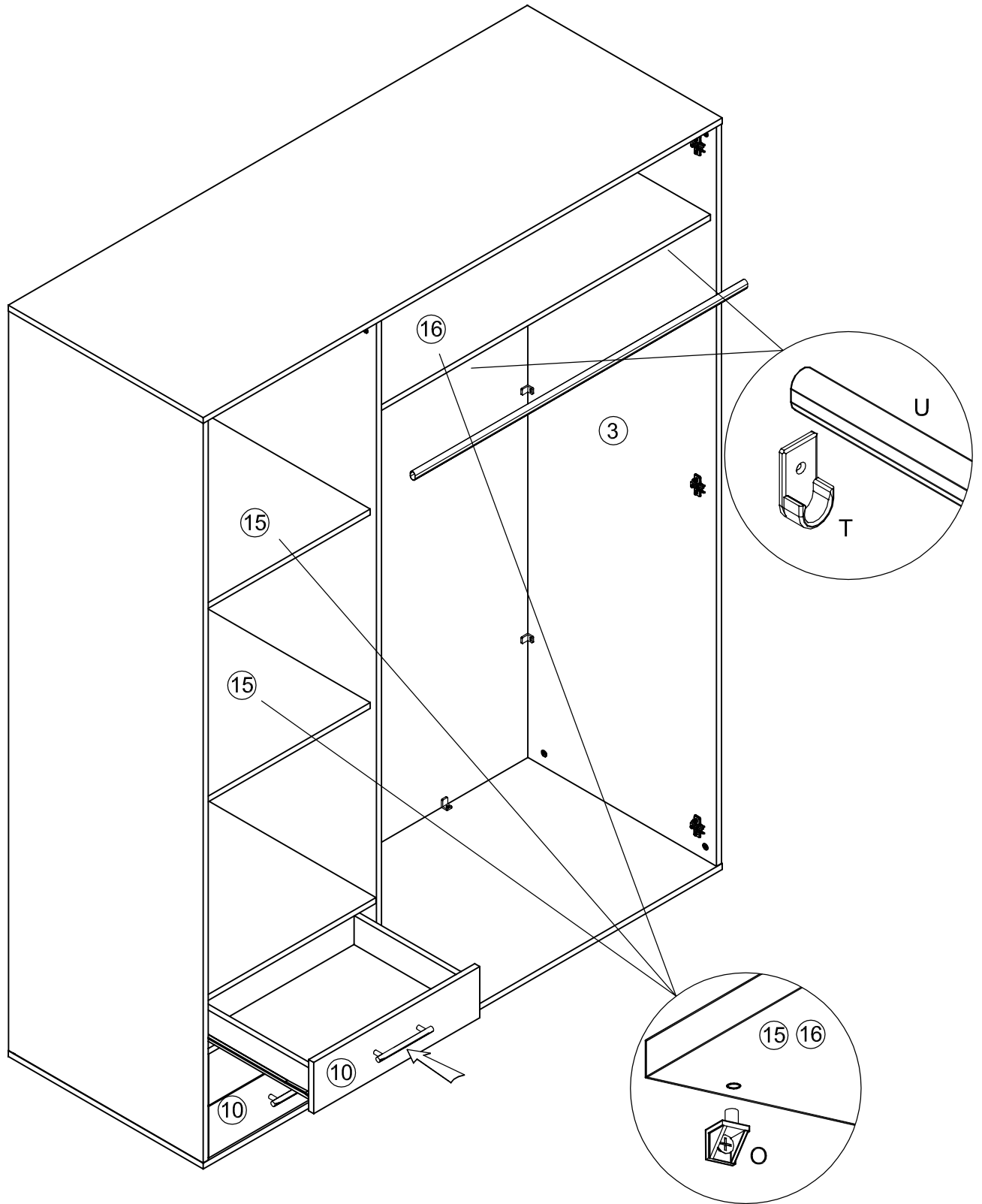
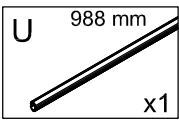
14

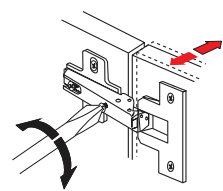
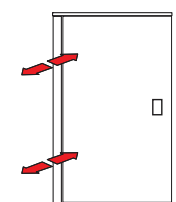
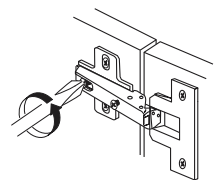
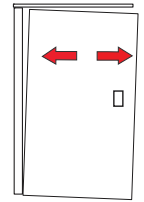
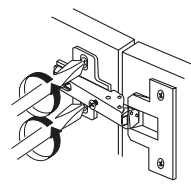
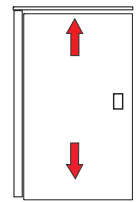
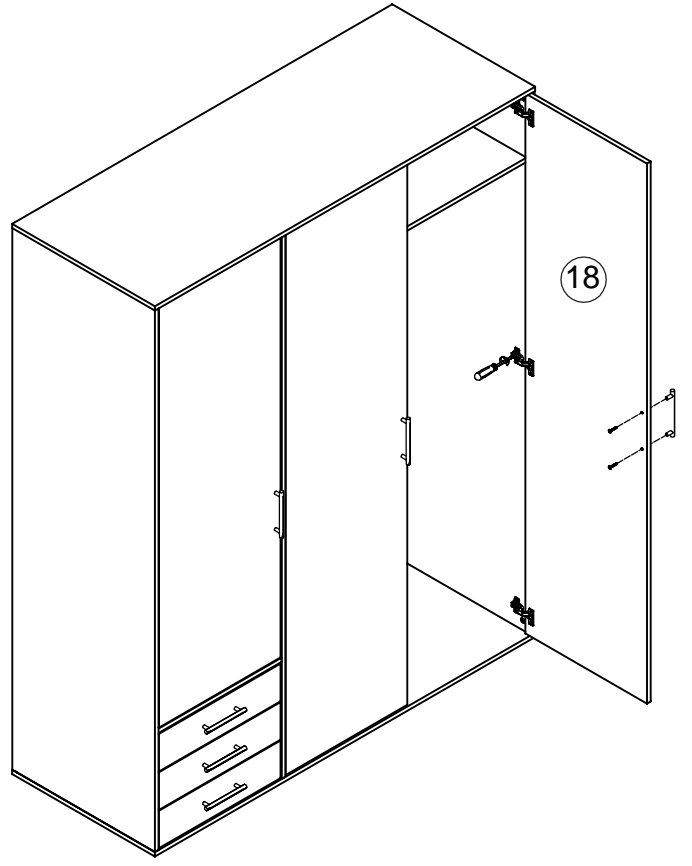
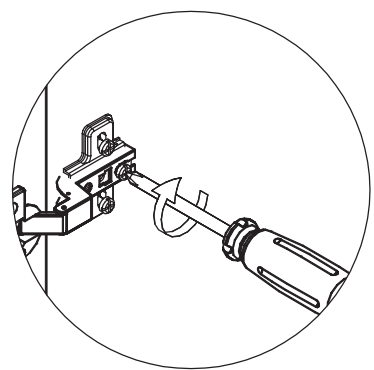
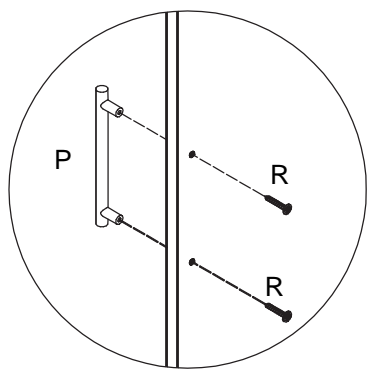
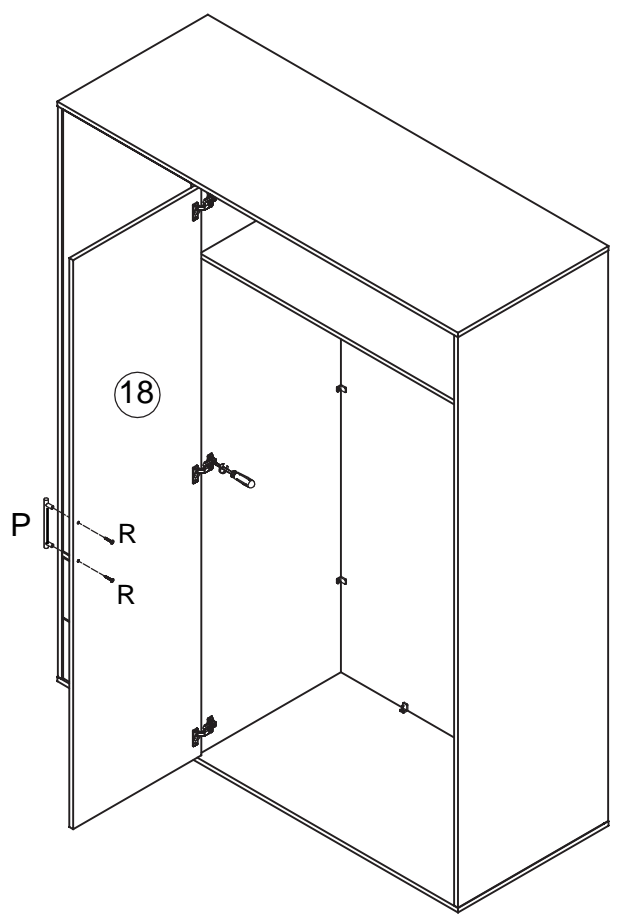
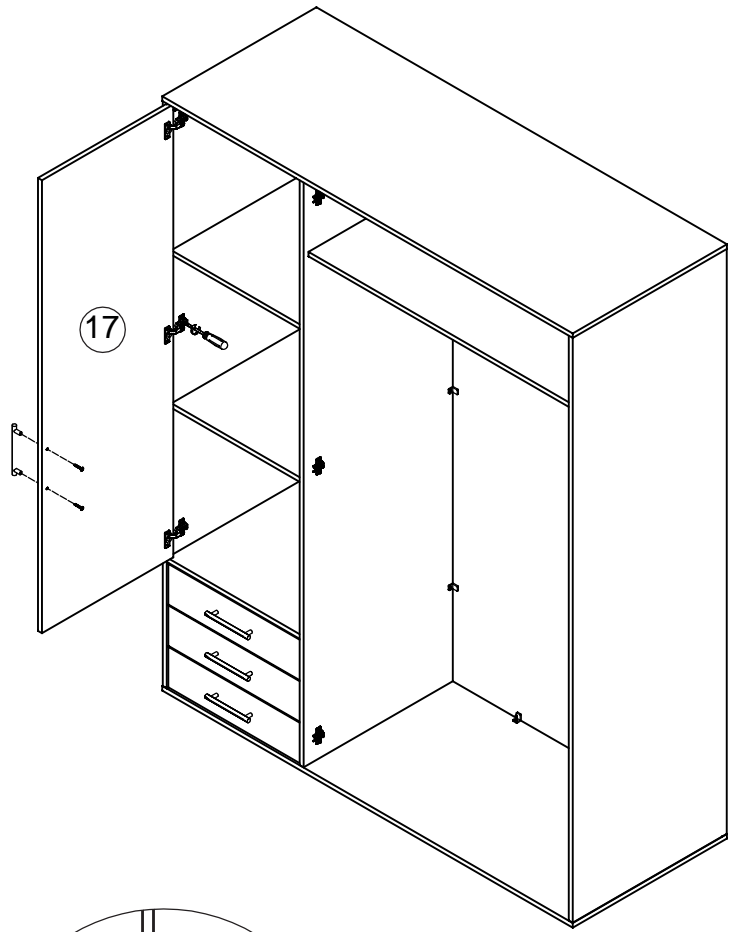
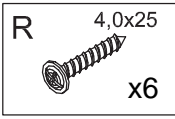
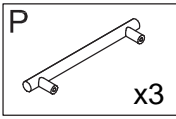


15



16





18

