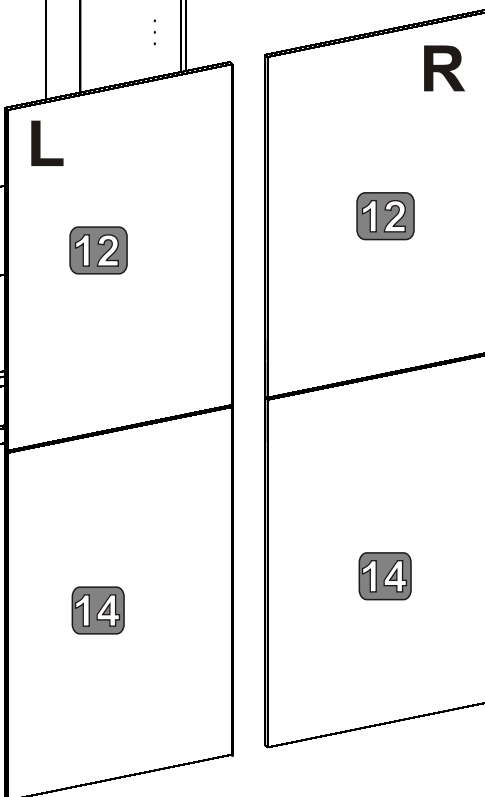
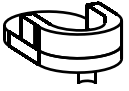





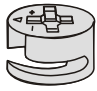
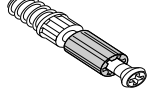

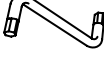




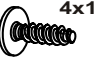



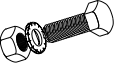
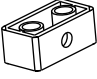

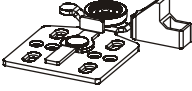
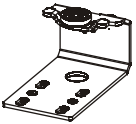


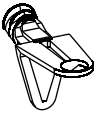
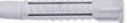
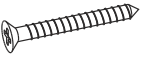
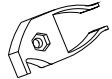
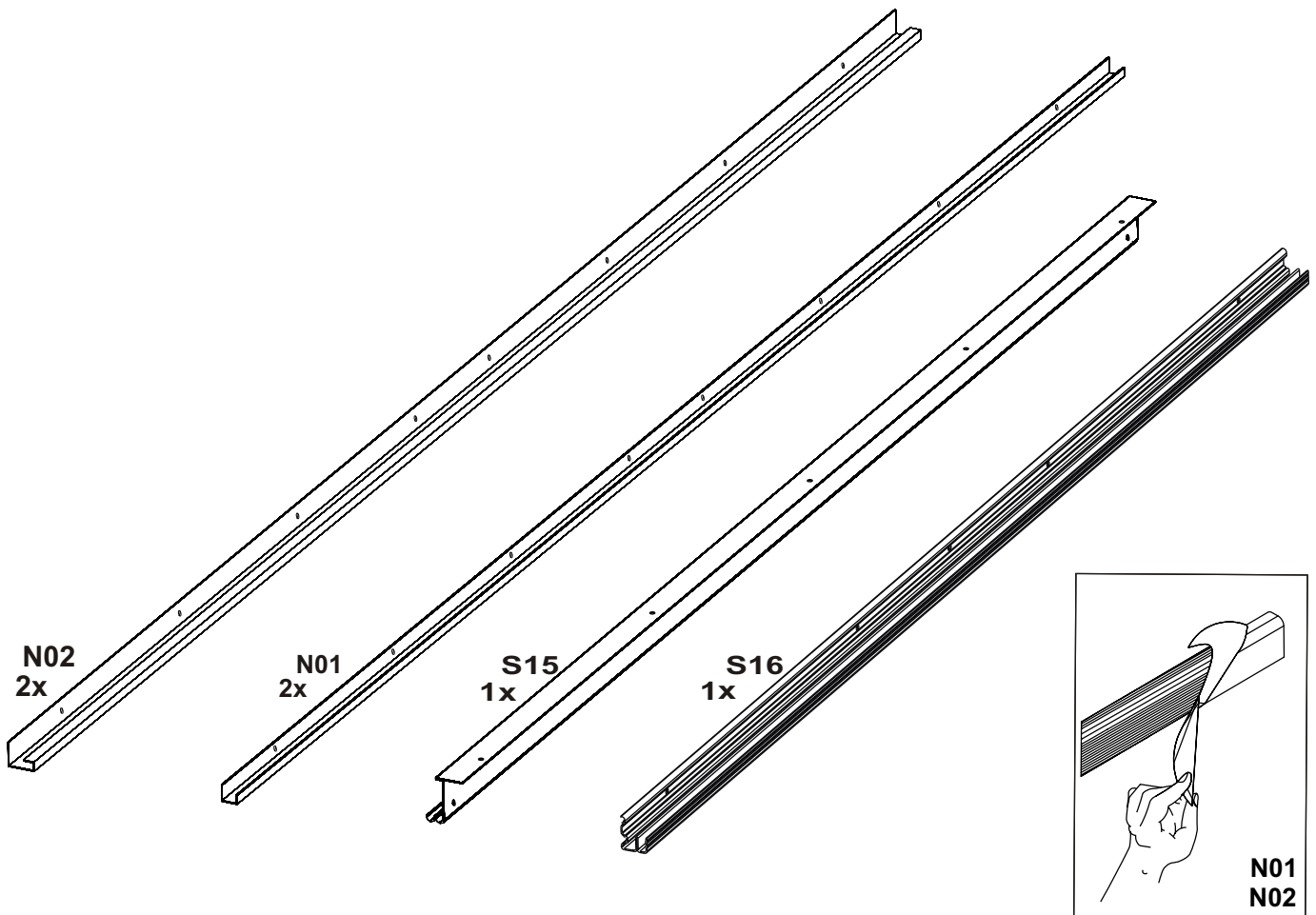


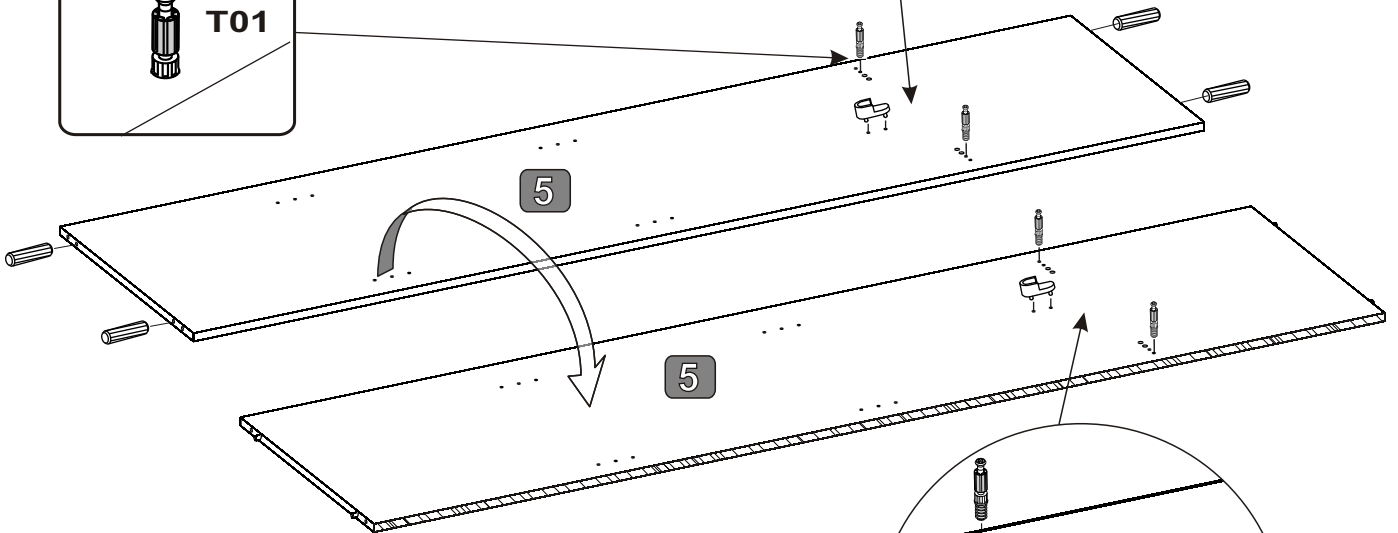
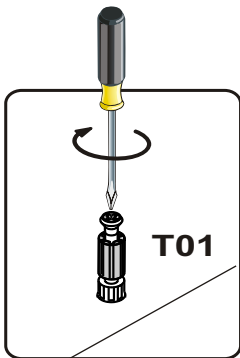
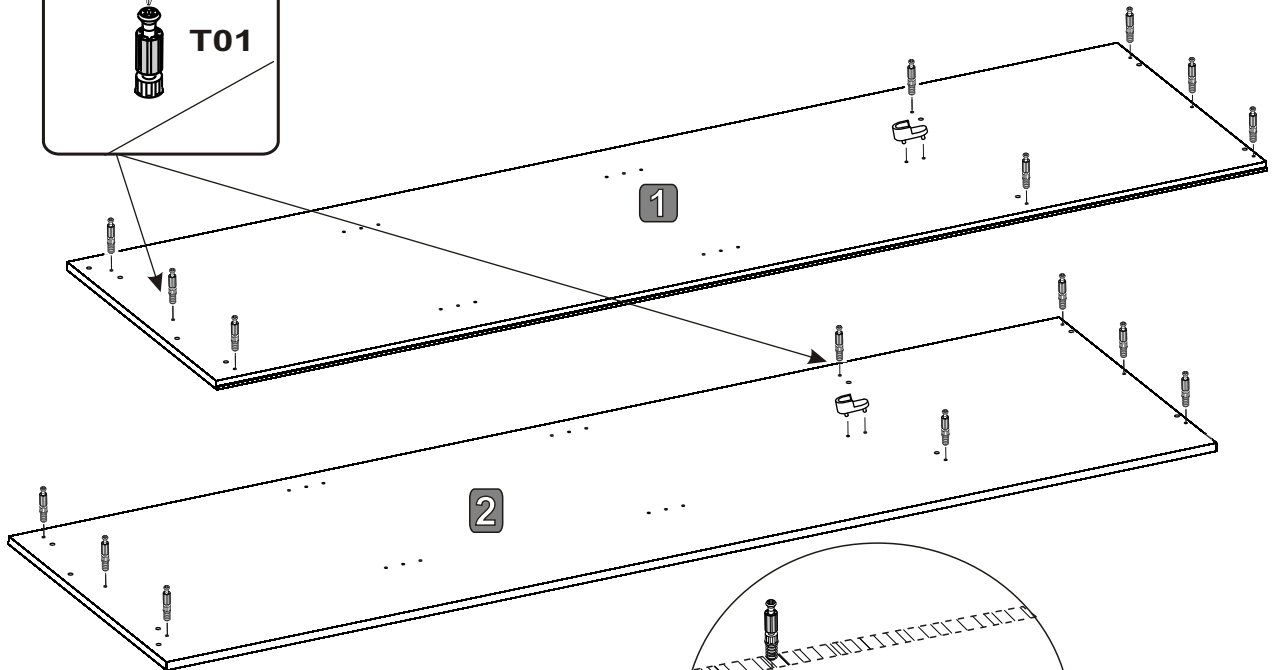
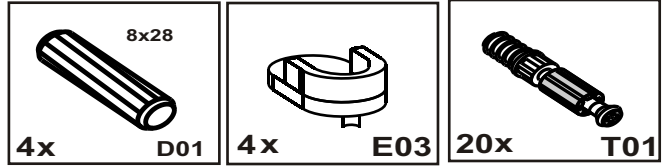
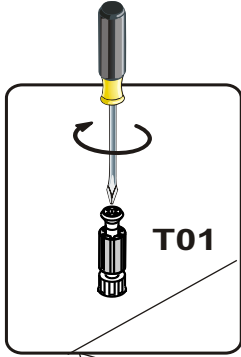
NR	DIM	QTE	COLLI
1	1950x544x15	1	1/2
2	1950x575x15	1	1/2
3	1220x525x15	1	1/2
4	1220x541x15	1	1/2
5	1877x485x15	1	1/2
6	827,5x480x15	1	2/2
7	377,5x480x15	1	2/2
8	1220x42x15	1	1/2
9	1220x42x15	1	1/2
10	1896x844x2	1	1/2
11	1896x395x2	1	1/2
12	640x962,5x15	2	2/2
13	377,5x480x15	1	2/2
14	640x962,5x15	2	2/2
N02	L-1925	2	1/2
N01	L-1925	2	1/2
S15	L-1218	1	1/2
S16	L-1218	1	1/2



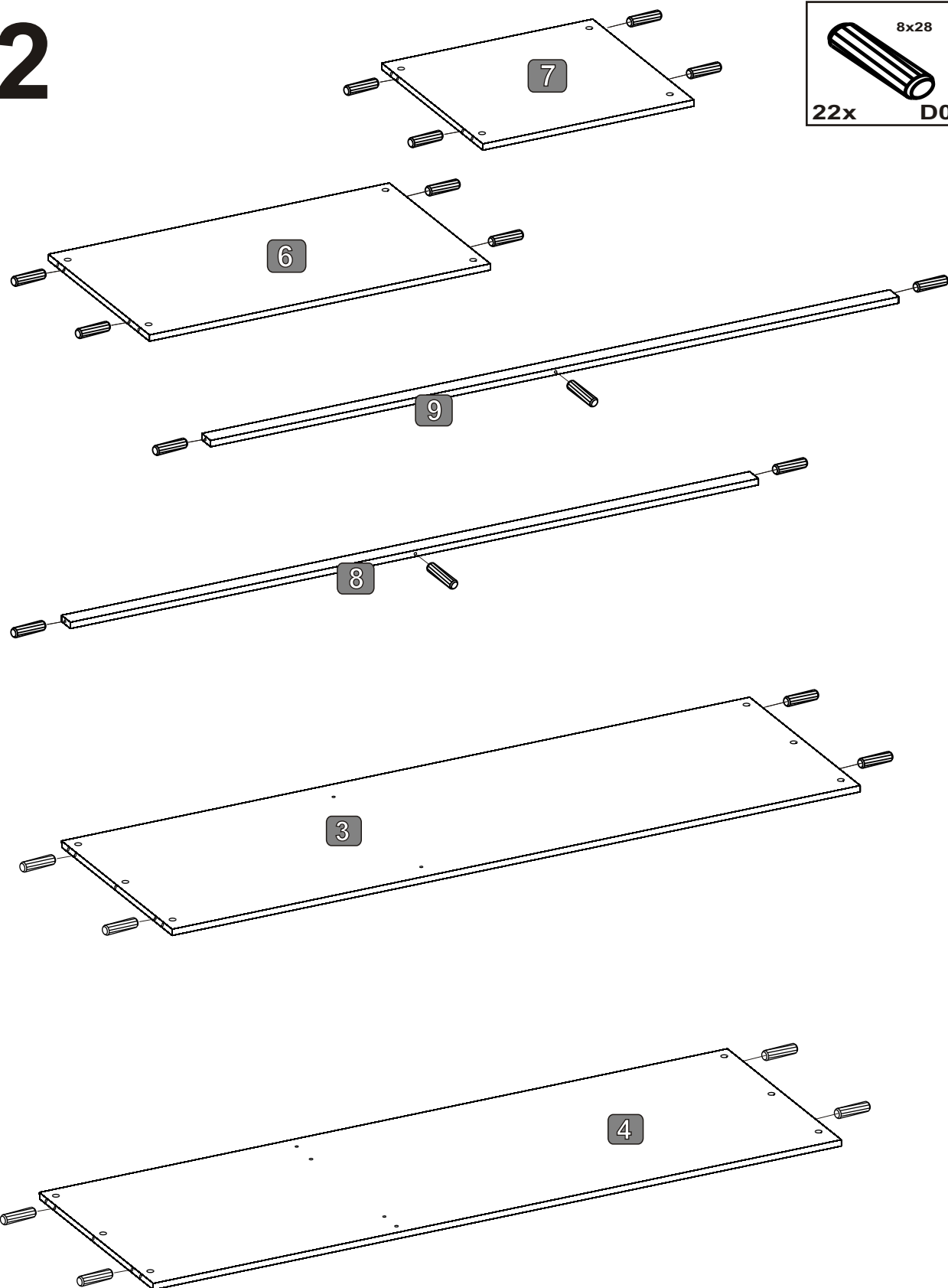
 4 x E03	 6 x S01	 1 x J01	 1 x J02	 5 x W05	 60 x G01
 20 x T02	 20 x T01	 4 x W06	 1 x K01	 81 x W01	 26 x D01
 7 x W02	 4 x W08	 4 x W07	 2 x S14	 2 x S13	 2 x P01
 2 x W05S	 2 x E05	 1 x S10	 1 x S11	 2 x S12	 2 x F11
 6 x E01	 2 x E08	 2 x F01	 4 x W36	 2 x E04	



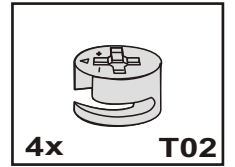
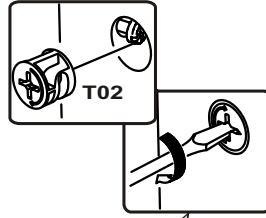
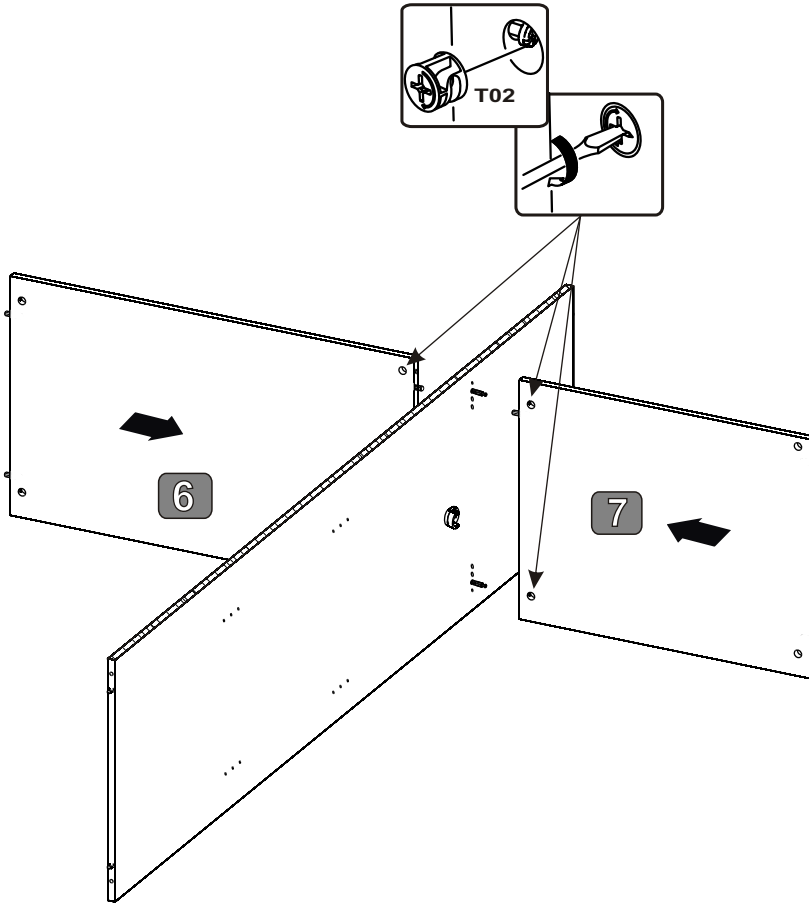
1



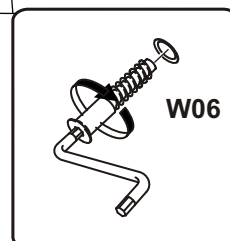
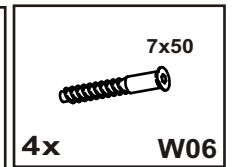
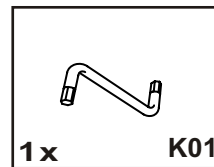
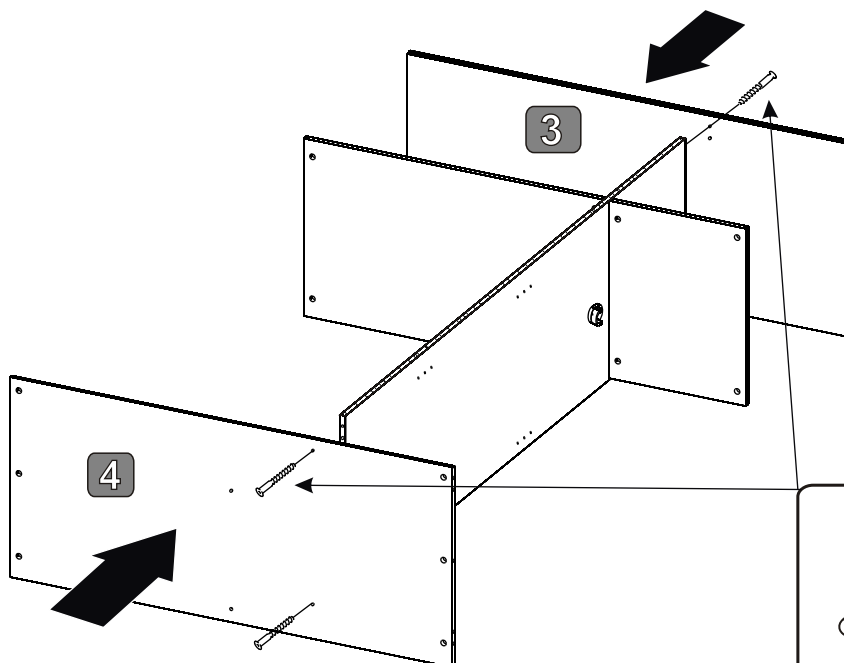
2



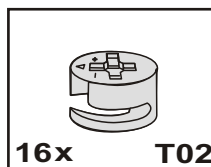
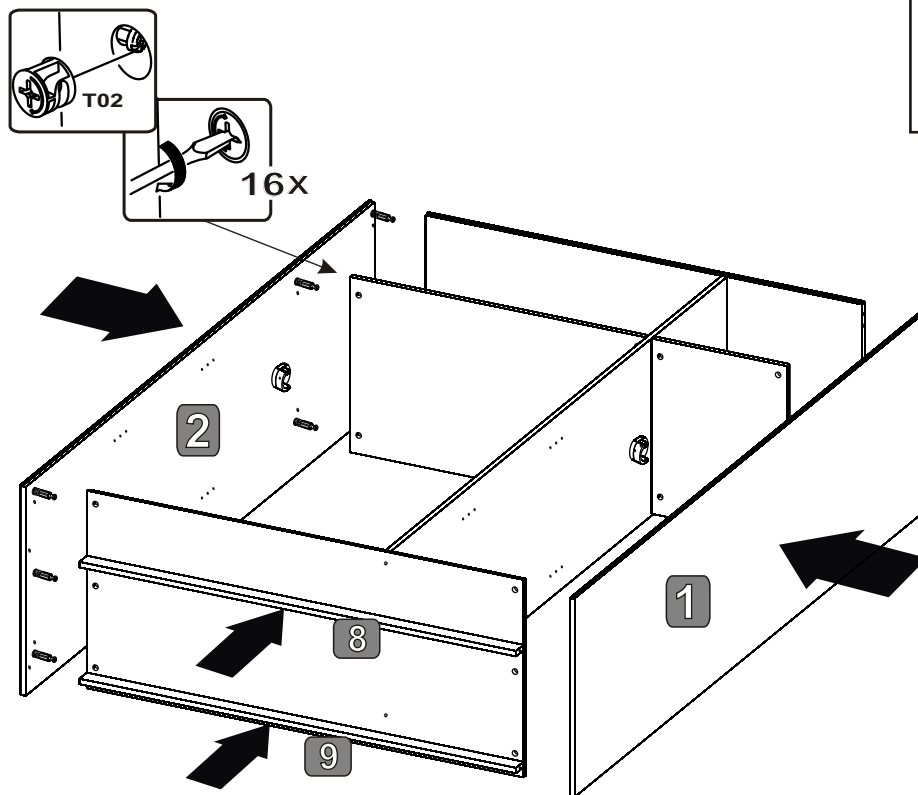
3



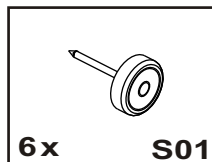
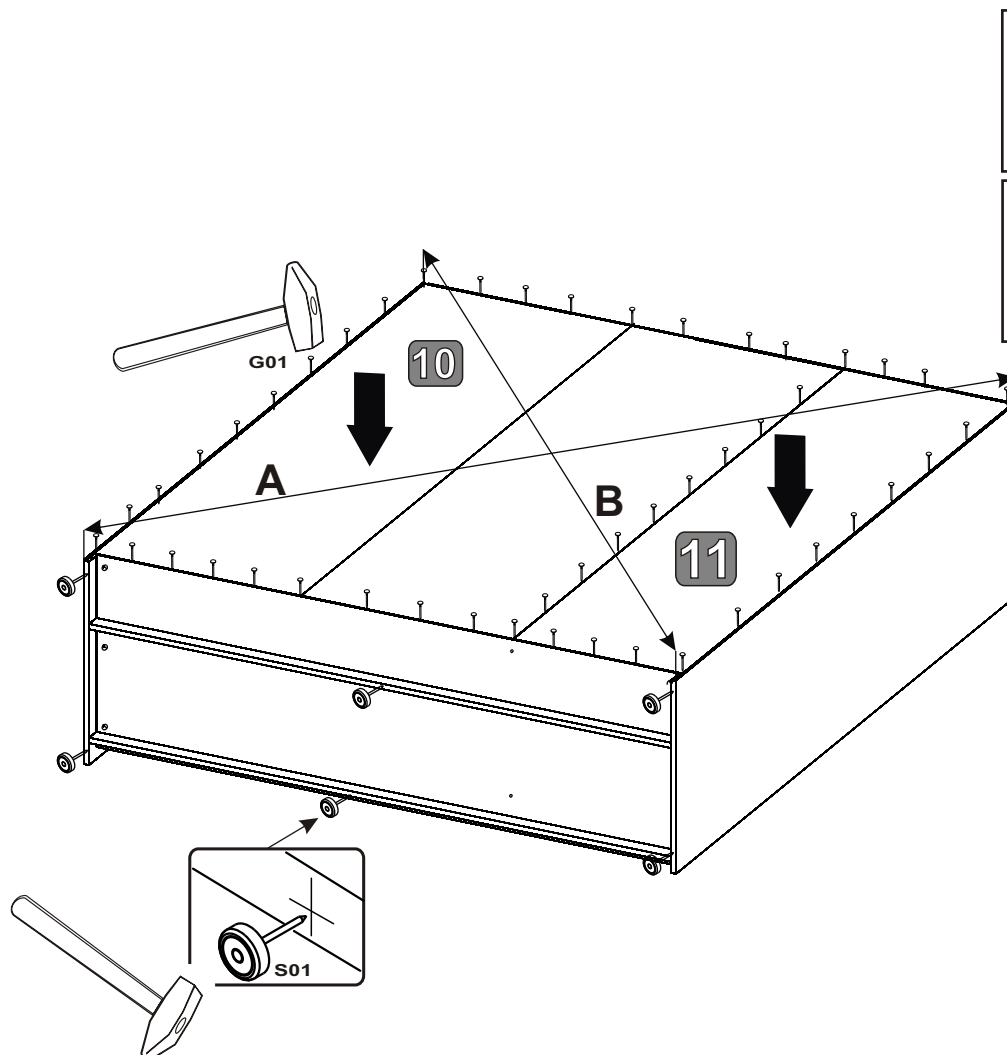
4



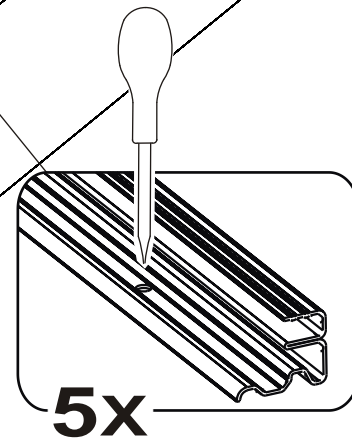
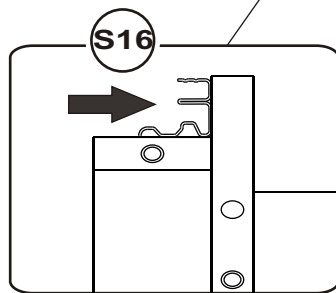
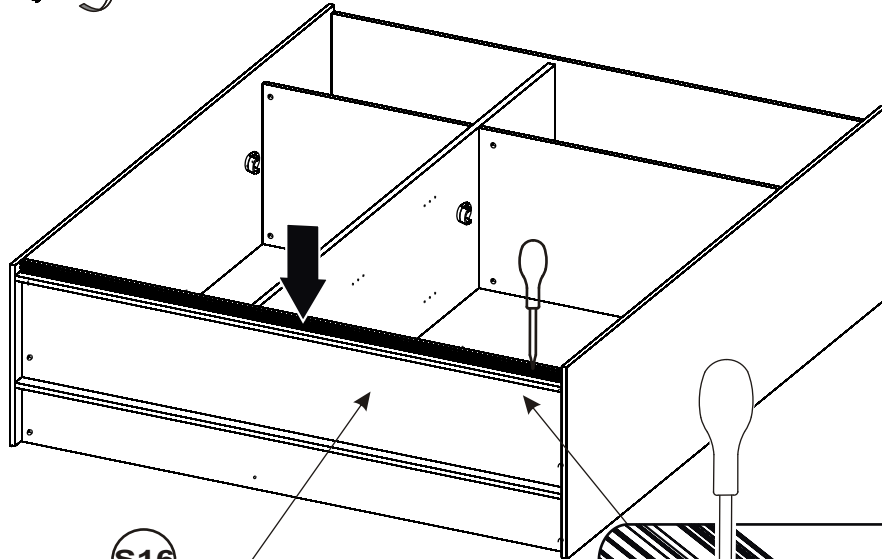
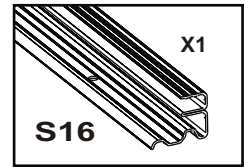
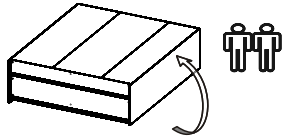
5



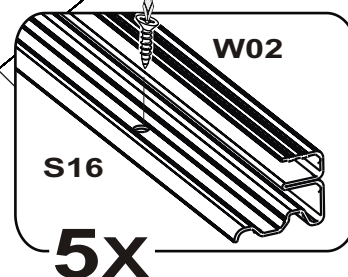
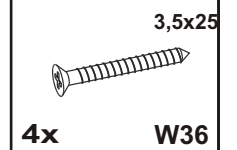
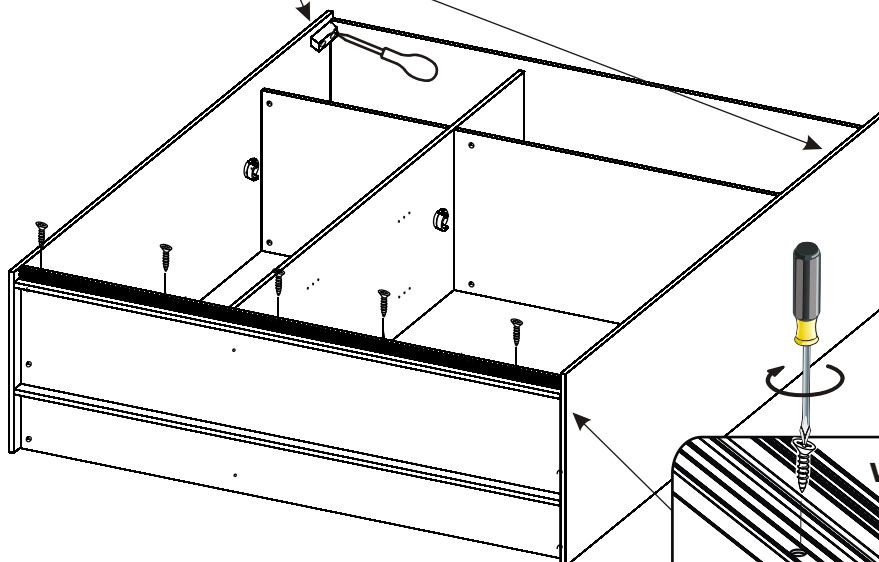
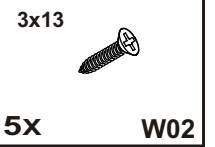
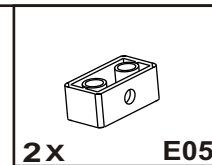
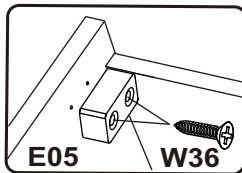
6



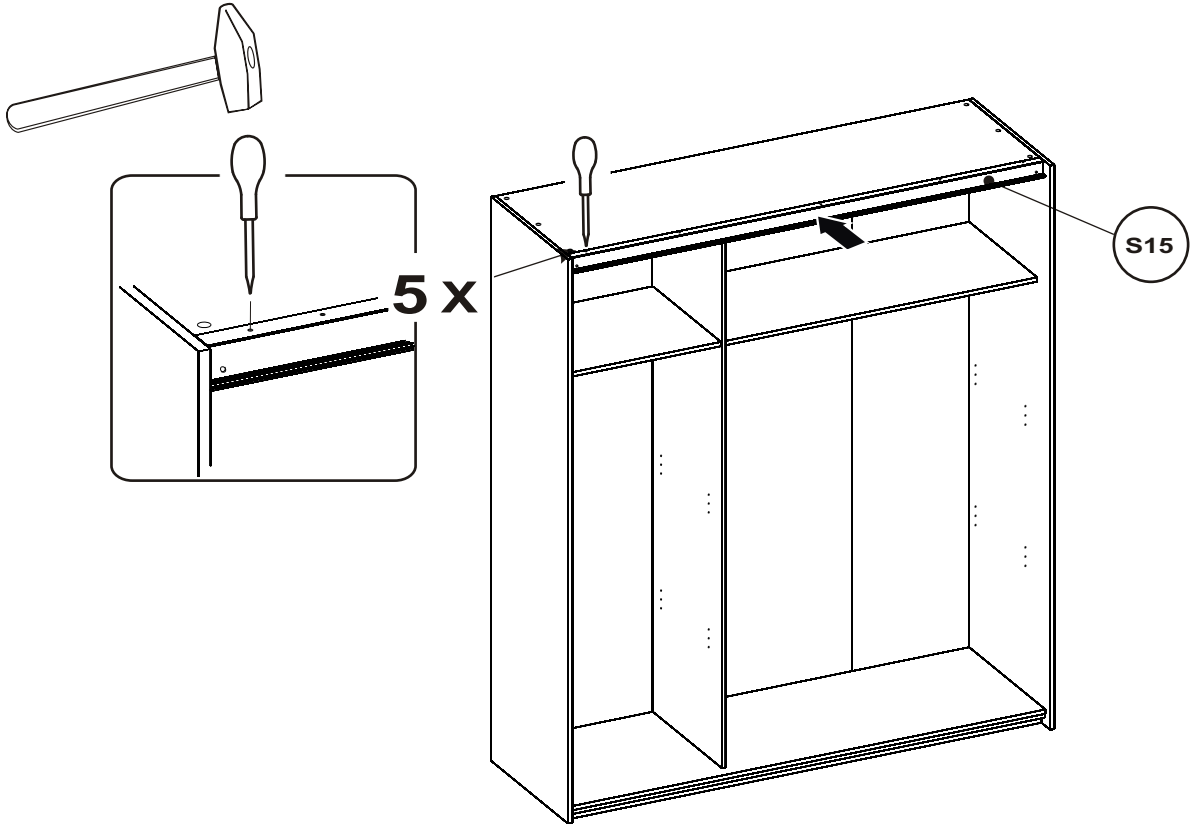
7






8

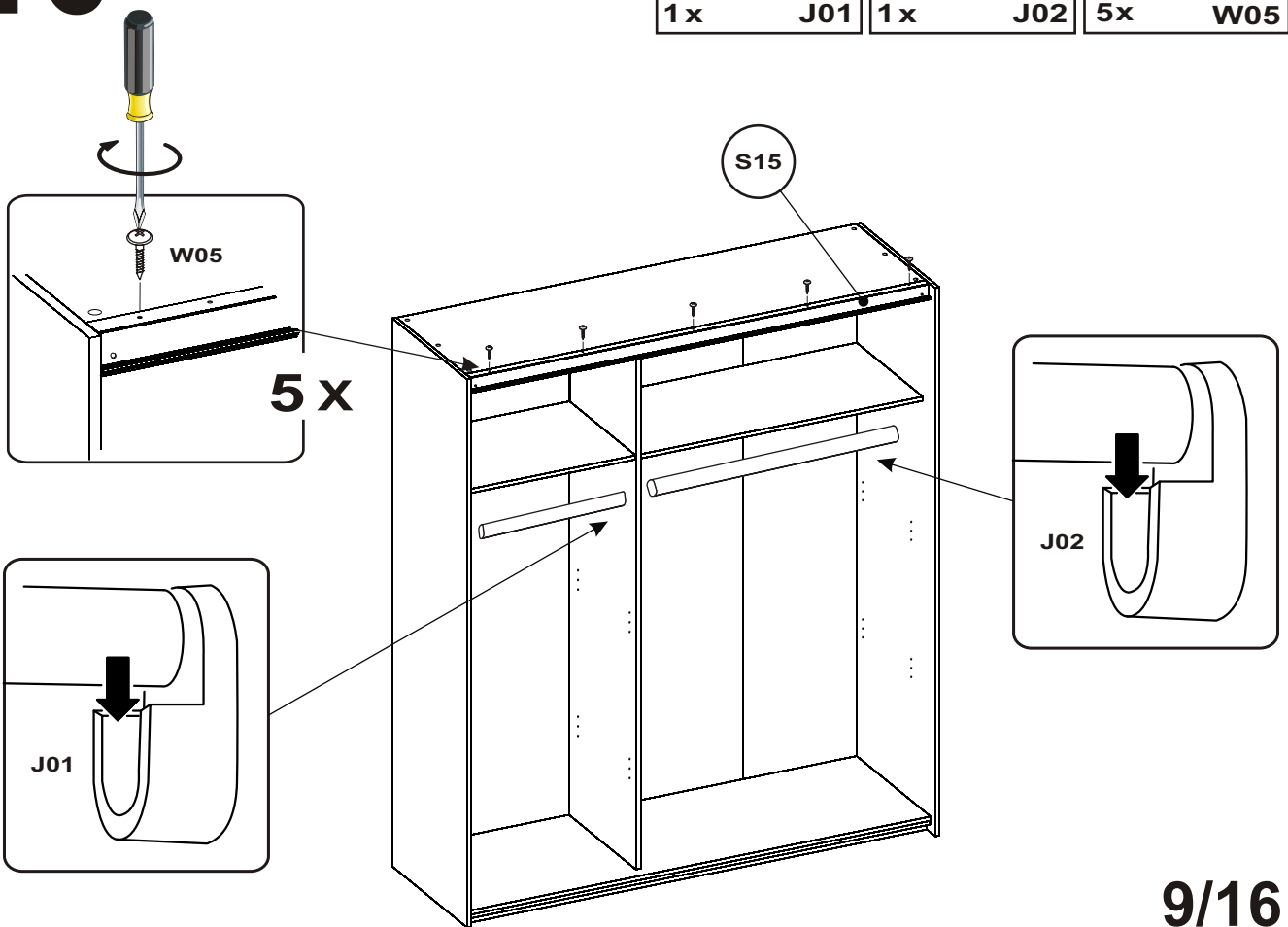


9

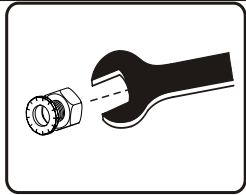
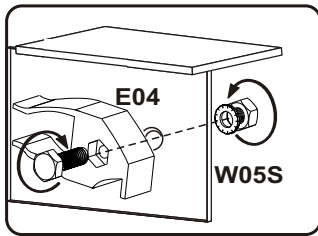


10

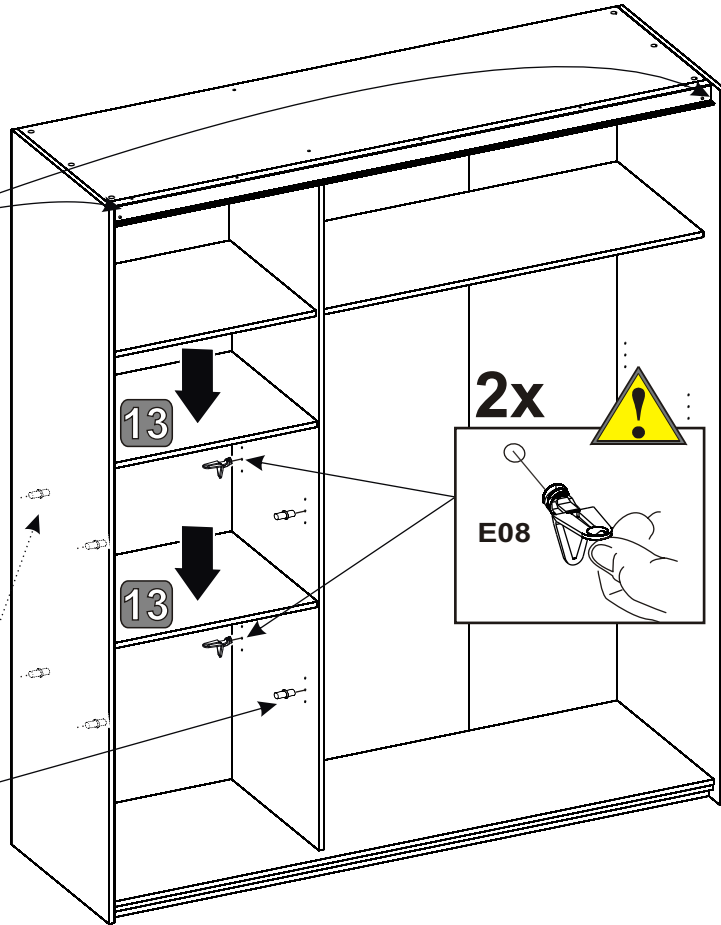
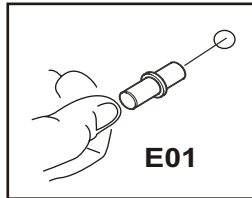
L-370 	L-818 	3,5x13 
1 x J01	1 x J02	5 x W05



11



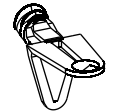
6x



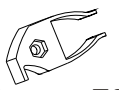
2x W05S



6x E01

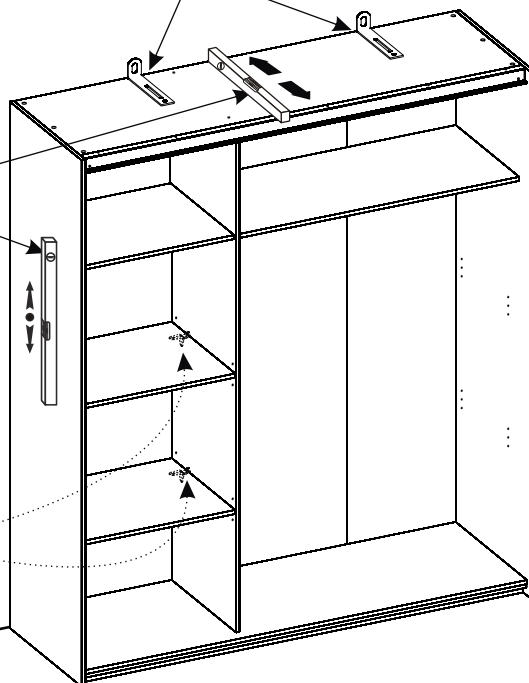
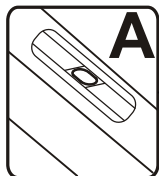
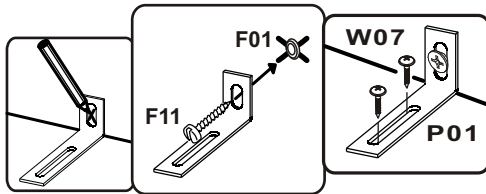


2x E08

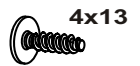


2x E04

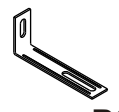
12



2x W02



4x W07



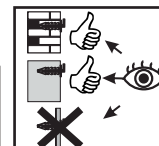
2x P01



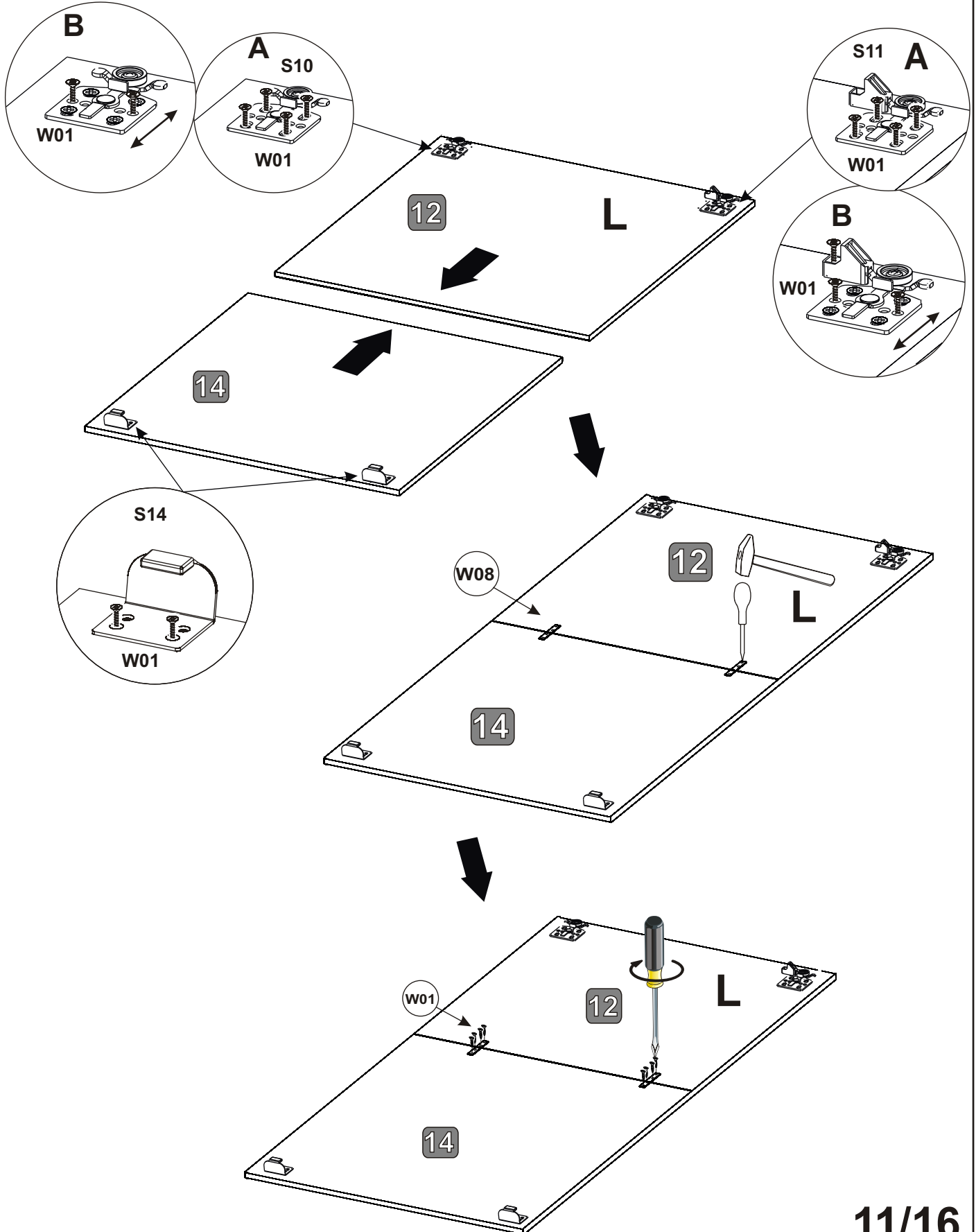
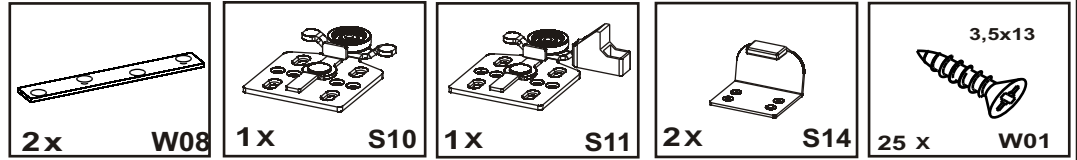
2x F11



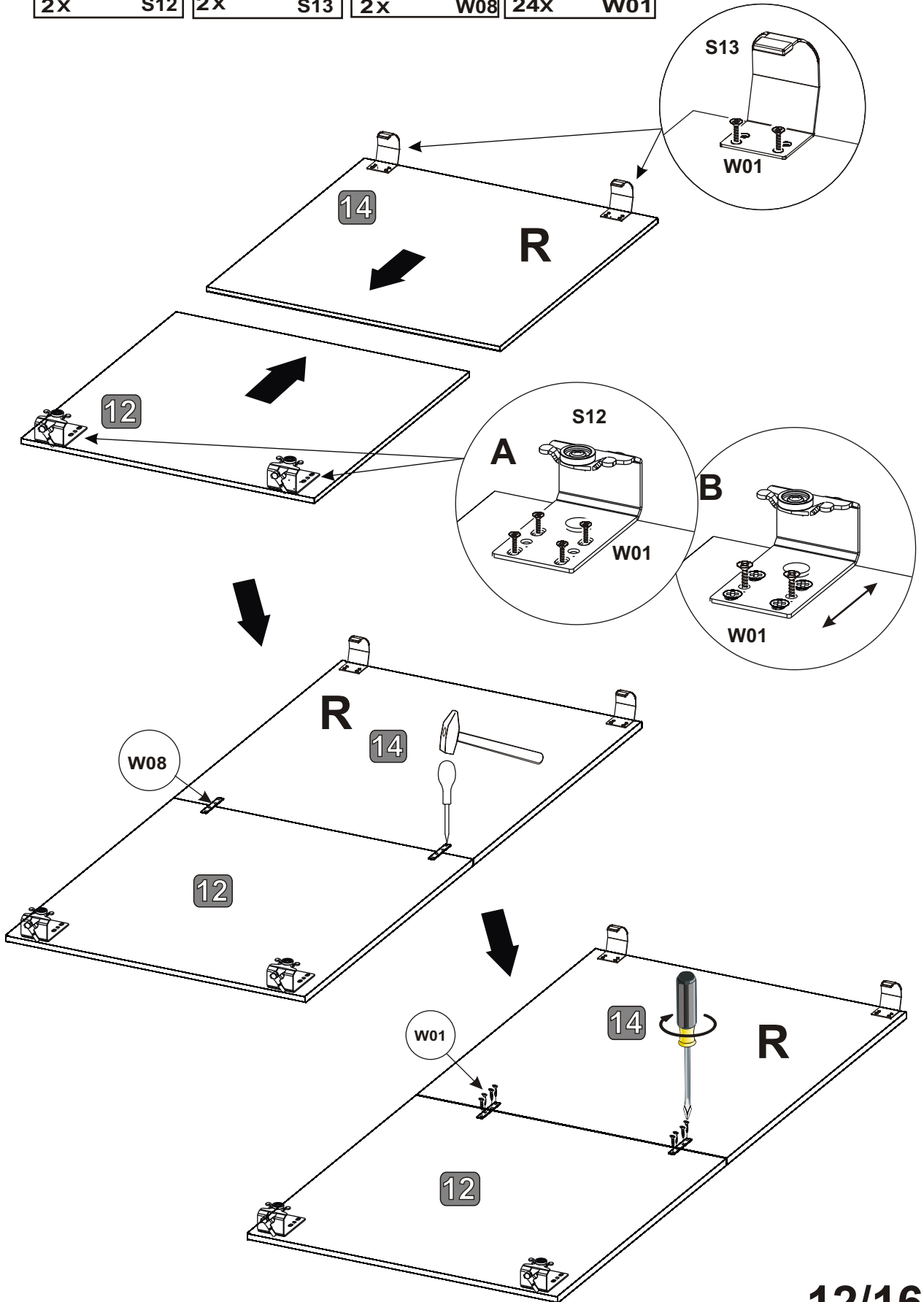
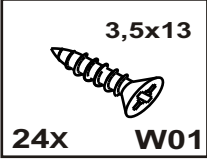
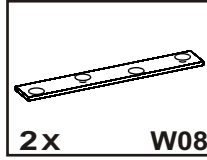
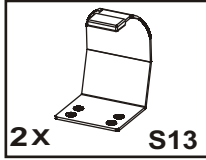
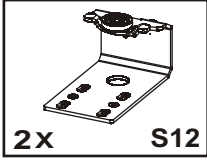
2x F01



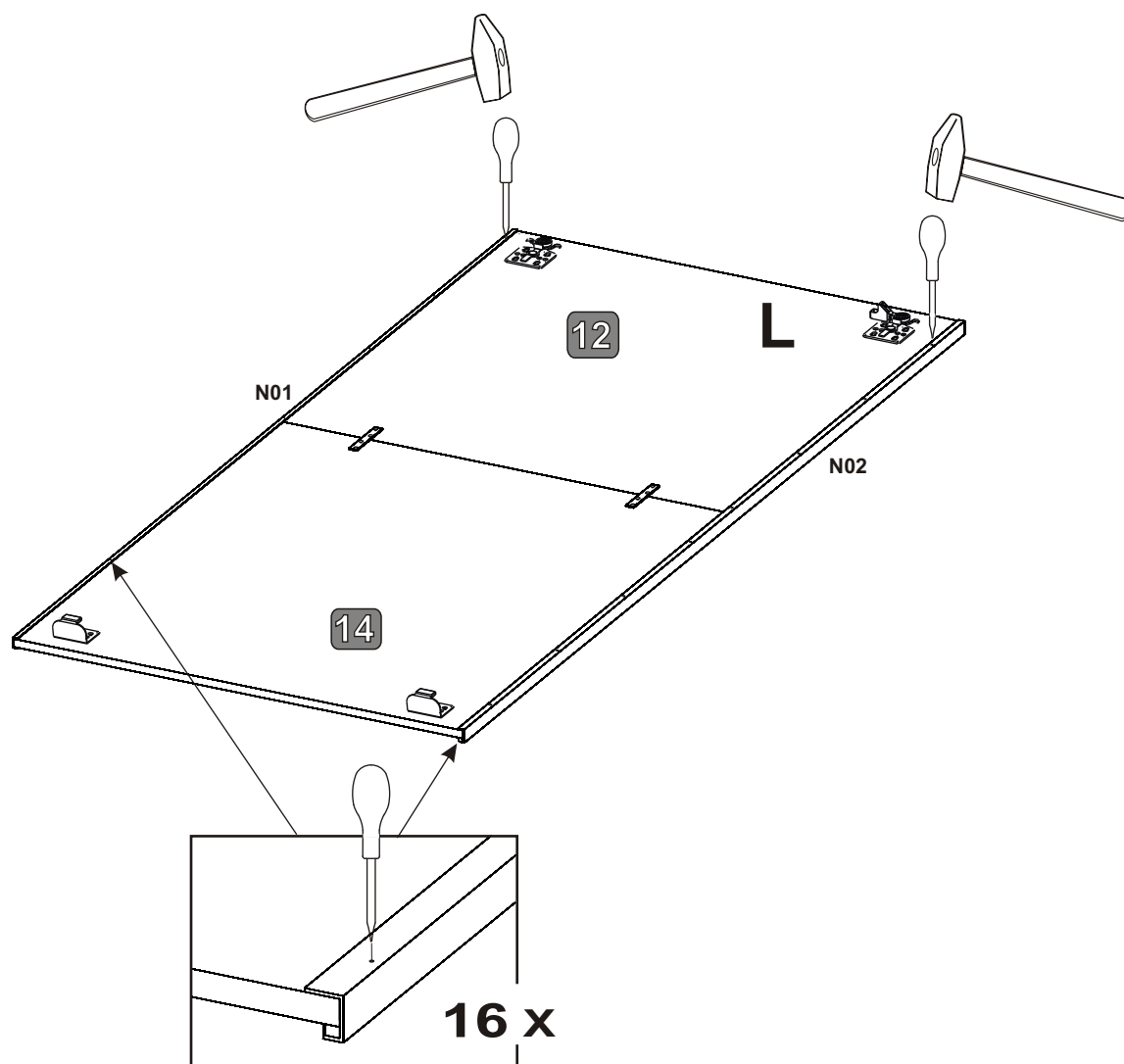
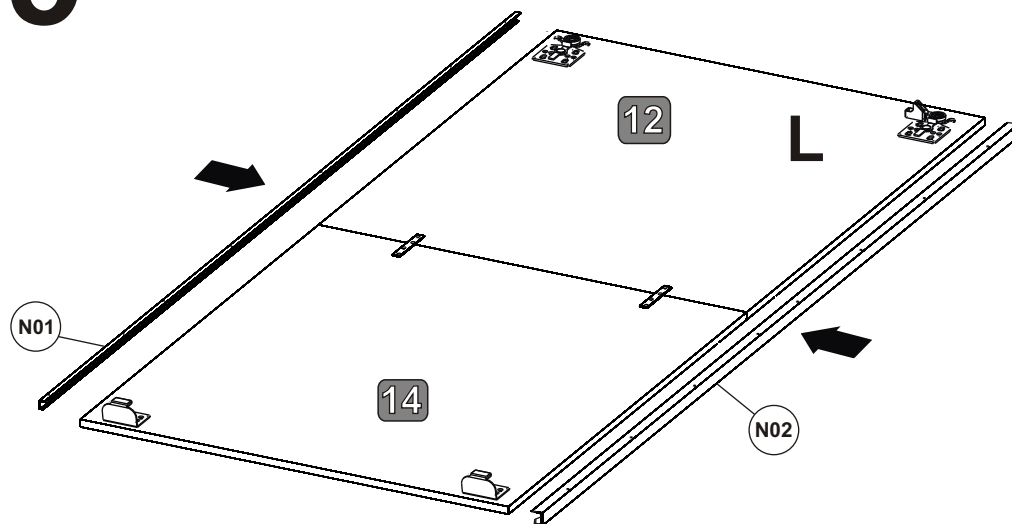
13



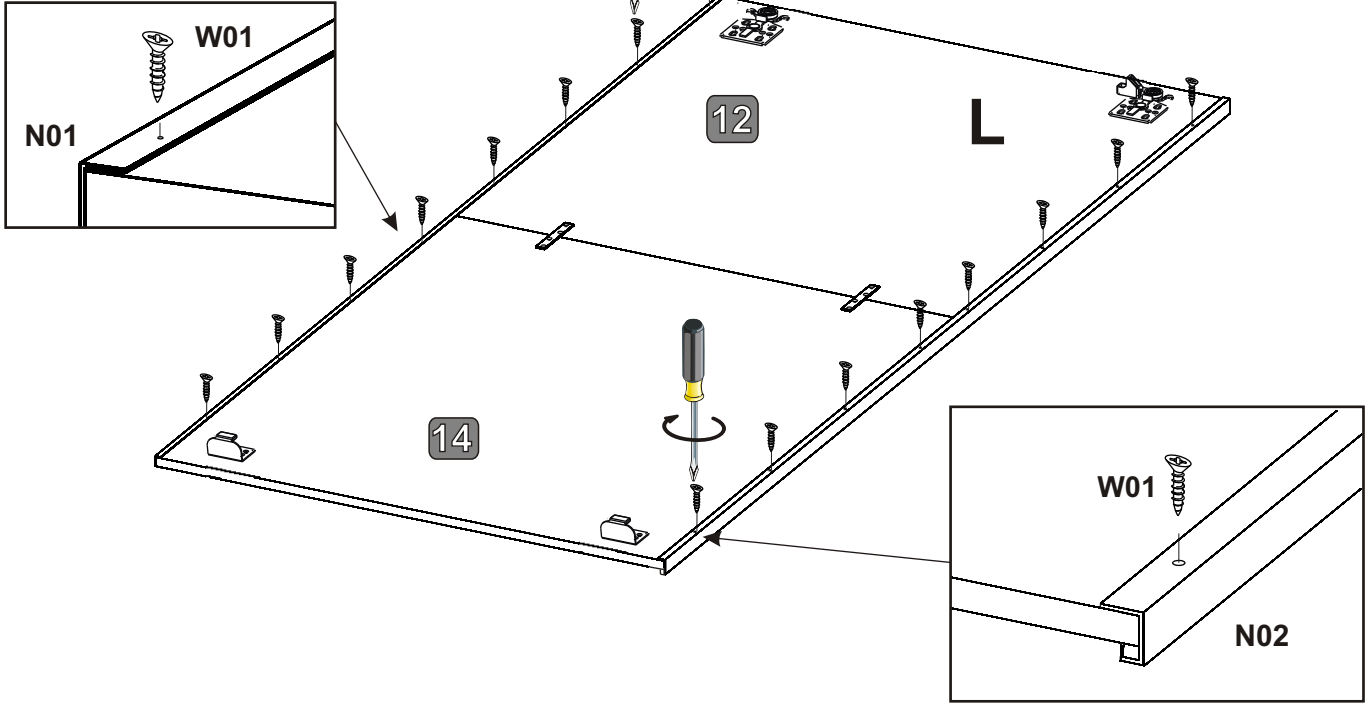
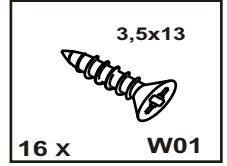
14



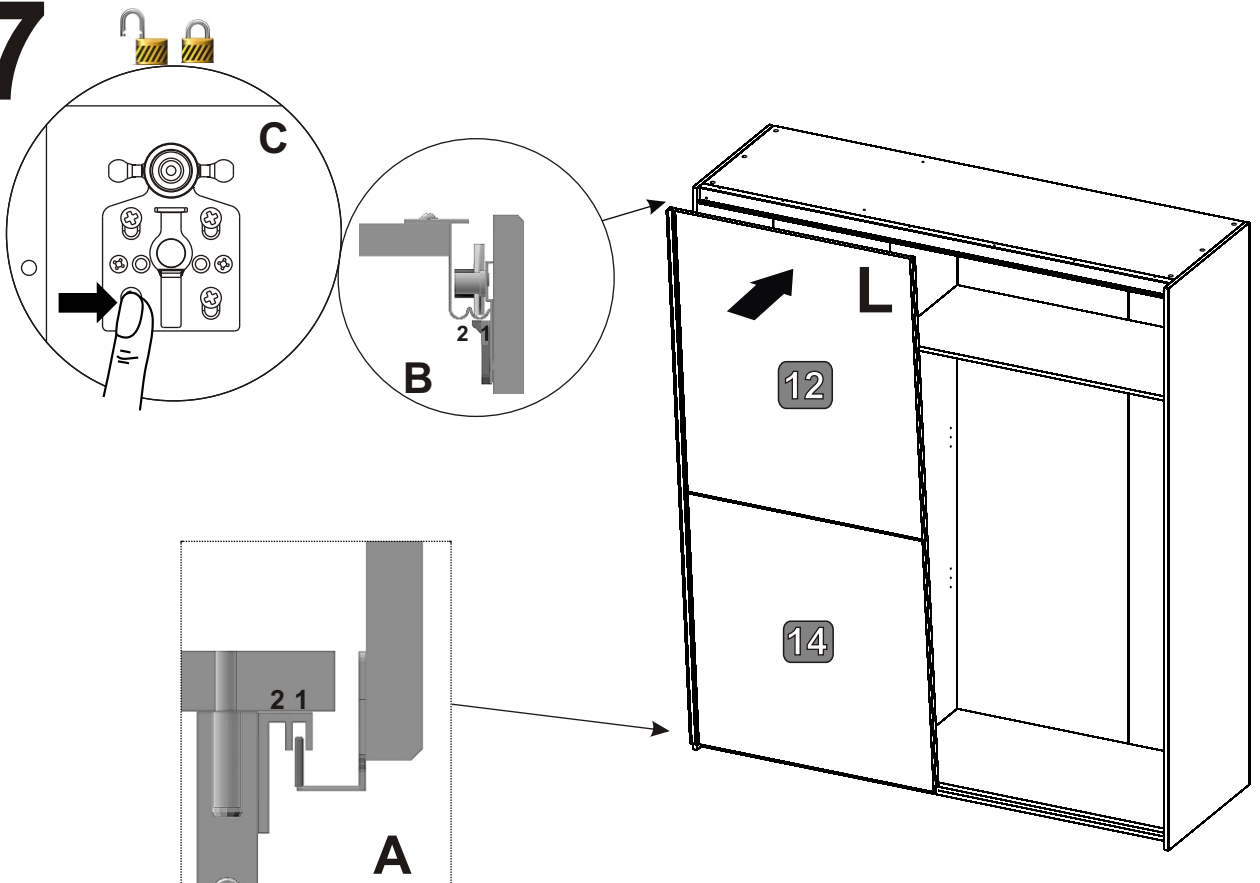
15



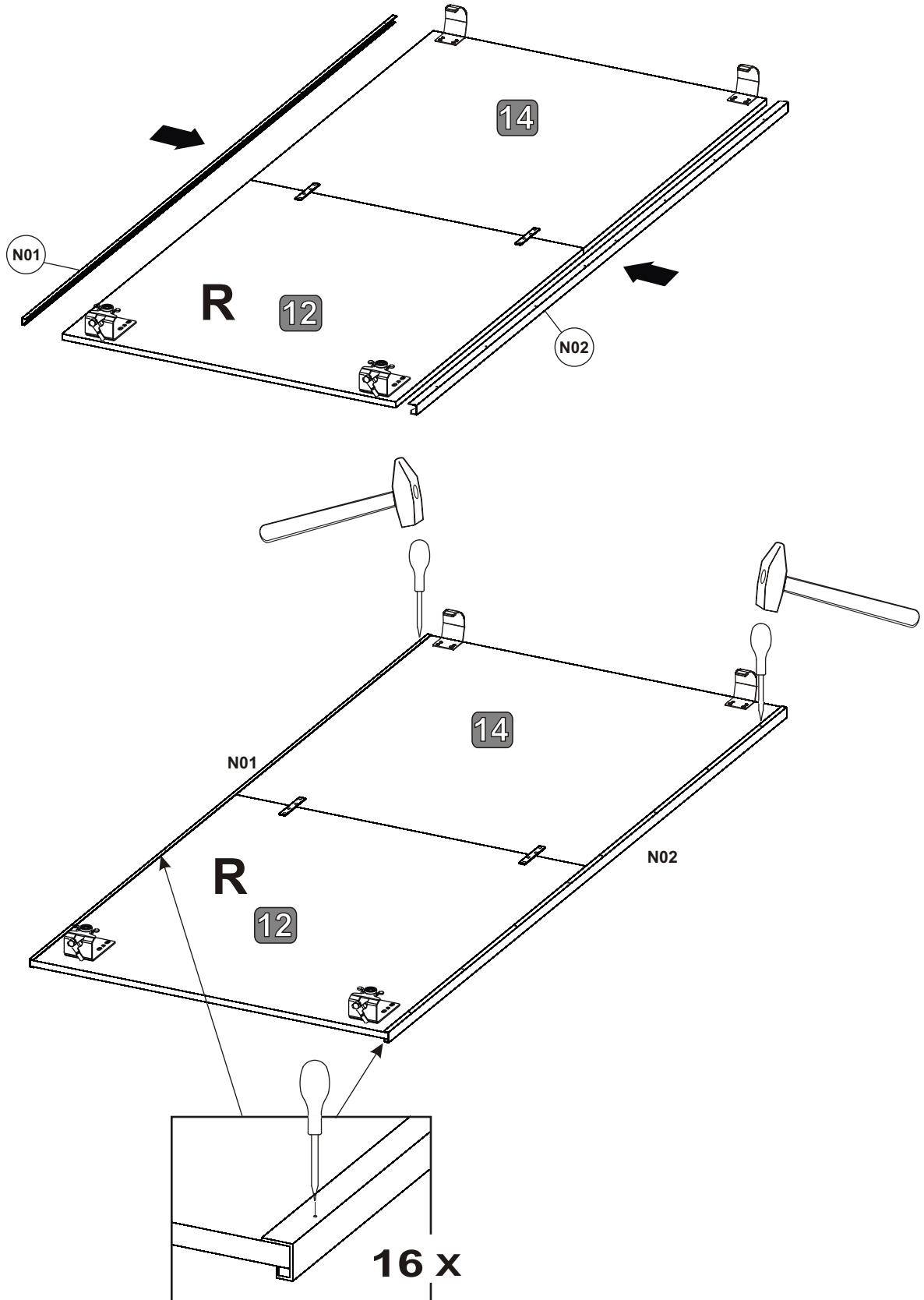
16



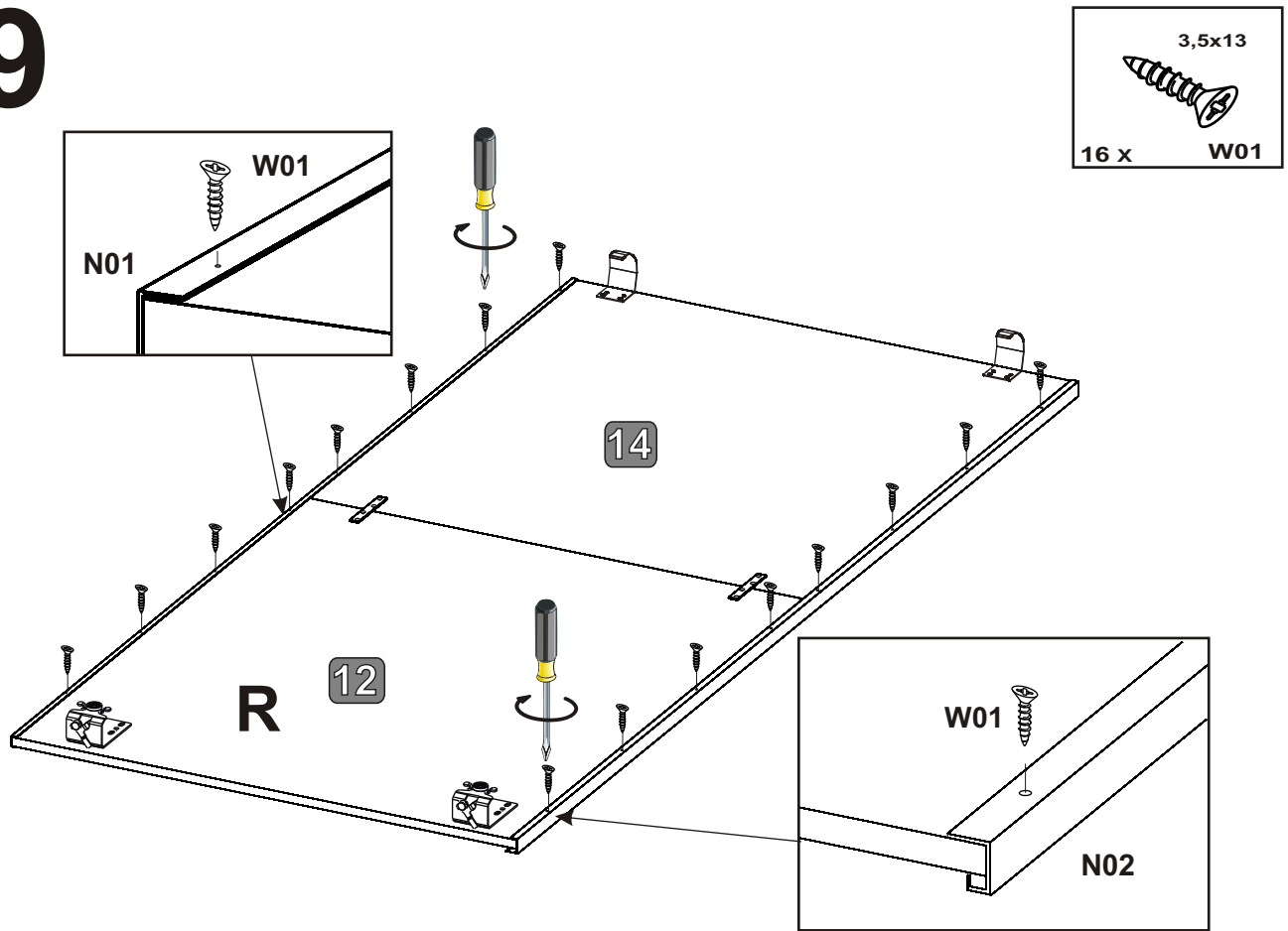
17



18



19



20

