

CERBERUS GAMING OTTOMAN BED

COLOUR: RED/BLACK, BLUE/BLACK

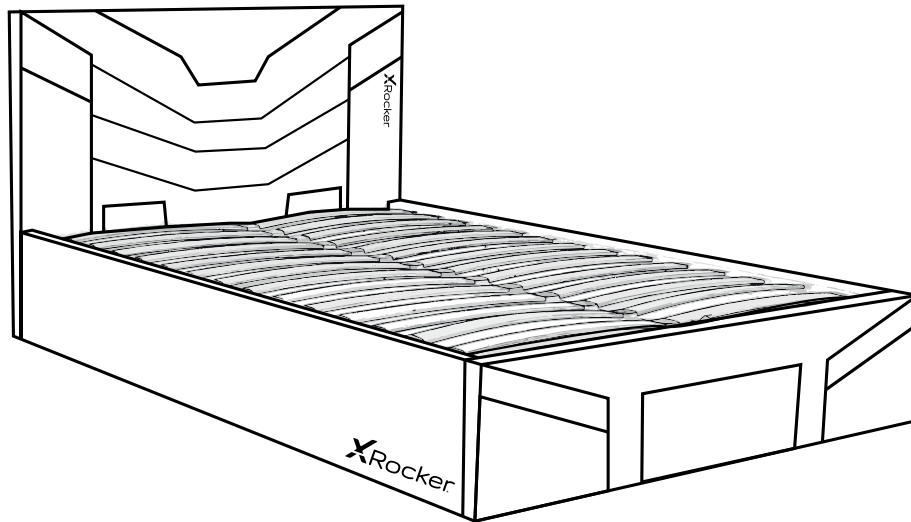
SIZE : SINGLE 3',SMALL DOUBLE 4',DOUBLE 4'6"

ASSEMBLY INSTRUCTION

PLEASE read this leaflet prior to assembly to familiarise yourself with the various stages of construction.

Carefully open the pack supplied and check the contents against the parts and fitting check list. Do not destroy any of the packing until you are certain that you have all the necessary part for assembly.

CAUTION: There are small components used in the construction of this unit. These loose items should be kept away from young children while assembling your unit to avoid danger of choking hazards.



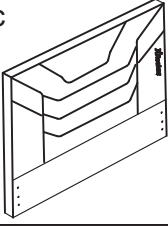
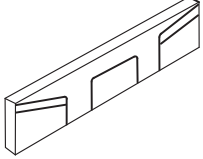
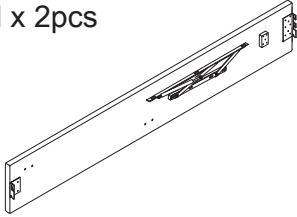
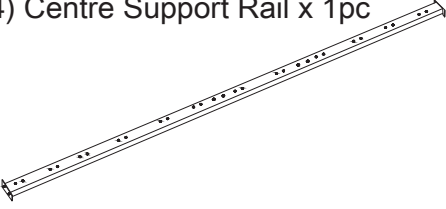
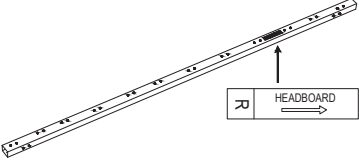
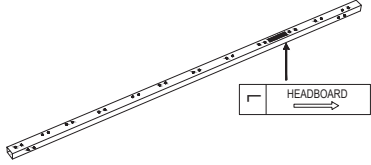
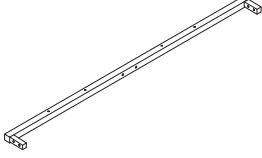
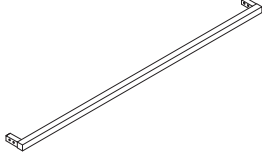


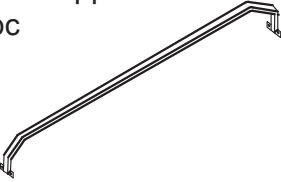
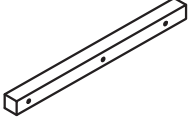
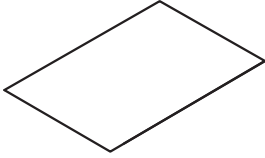




IMPORTANT :

- Please reading through this leaflet and then follow the simple step-by-step instruction
- Please keep fittings out of children reach.
- Please ensure products place on flat & soft surface.
- Please ensure you have the right tools, Do Not use power tools to assembly this products.
- Please ensure a clean, dry and spacious area for assembly, due to the size of this product we recommend that it is assembled in the room intended for use.
- Please retain these instruction for future reference.

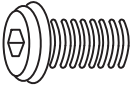
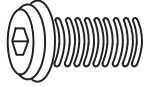
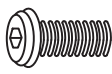



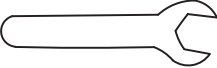



WARNINGS

- Ensure products is fully assembled and secured as illustrated before use.
- Ensure the legs remain in contact with the ground at all time.
- Ensure all screws or bolts are tightened and inspect regularly.
- Do Not stand or jump on the product.
- Do Not let children play with the mechanism.
- Do Not use this product if parts are missing, damage or worn.
- Do Not expose this product to dripping or splashing, rain or areas with heavy moisture.
- Do Not place the product under direct sunlight, open flames such as candles,heat or radiators.
Keep away from temperatures over 35°C.
- Do Not use scourer, abrasivers or chemical cleaners, only clean with sponge wipe and warm soapy water.

Parts

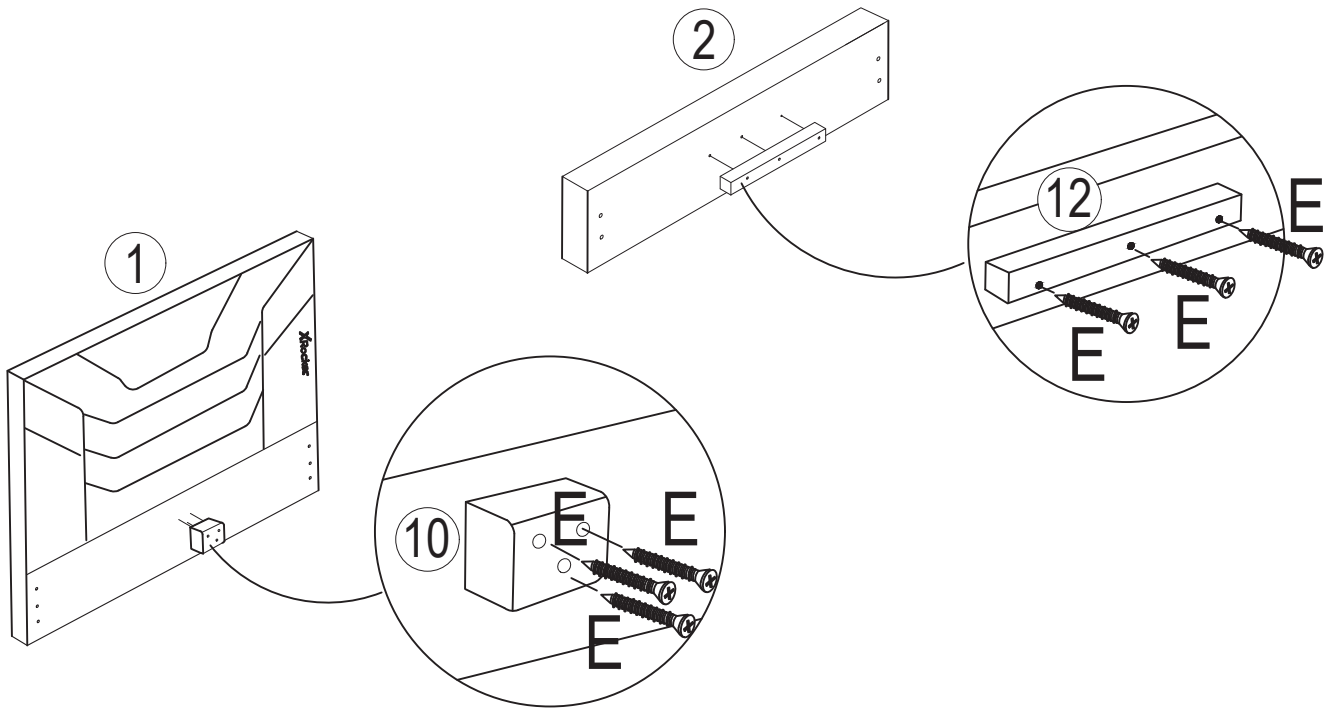
<p>(1) Headboard x 1pc</p> 	<p>(2) Footboard x 1pc</p> 	<p>(3) Side Rail x 2pcs</p> 
<p>(4) Centre Support Rail x 1pc</p> 	<p>(5) Long Frame Rail (R) x 1pc</p> 	<p>(6) Long Frame Rail (L) x 1pc</p> 
<p>(7) Horizontal Frame Rail x 1pcs</p> 	<p>(8) Horizontal Frame Rail x 1pcs</p> 	<p>(9) Mattress Stopper x 2pcs</p> 
<p>(10) Headboard Support Block x 1pc</p> 	<p>(11) Horizontal Support Bar x 1pc</p> 	<p>(12) Footboard Support Rail x 1pc</p> 
<p>(13) Non Woven Fabric x 1pc</p> 	<p>(14) Slats x 28pcs</p> 	<p>(15) Feet x 4pcs</p> 
<p>(16) Strap x 1pc</p> 	<p>(17) Metal Corner Plate x 2pcs</p> 	

Fittings

<p>(A)  18x 16mm M8 Bolt</p>	<p>(B)  14x 30mm M8 Bolt</p>	<p>(C)  4x 30mm M6 Bolt</p>	<p>(D)  4x Washer M6 x 13mm</p>	<p>(E)  14x 50mm M5 Screw</p>
<p>(F)  1x M4 Allen Key</p>	<p>(G)  1x Spanner</p>	<p>(H)  1x M5 Allen Key</p>	<p>(I)  14x Centre Slat Cap</p>	<p>(J)  28x End Slat Cap</p>

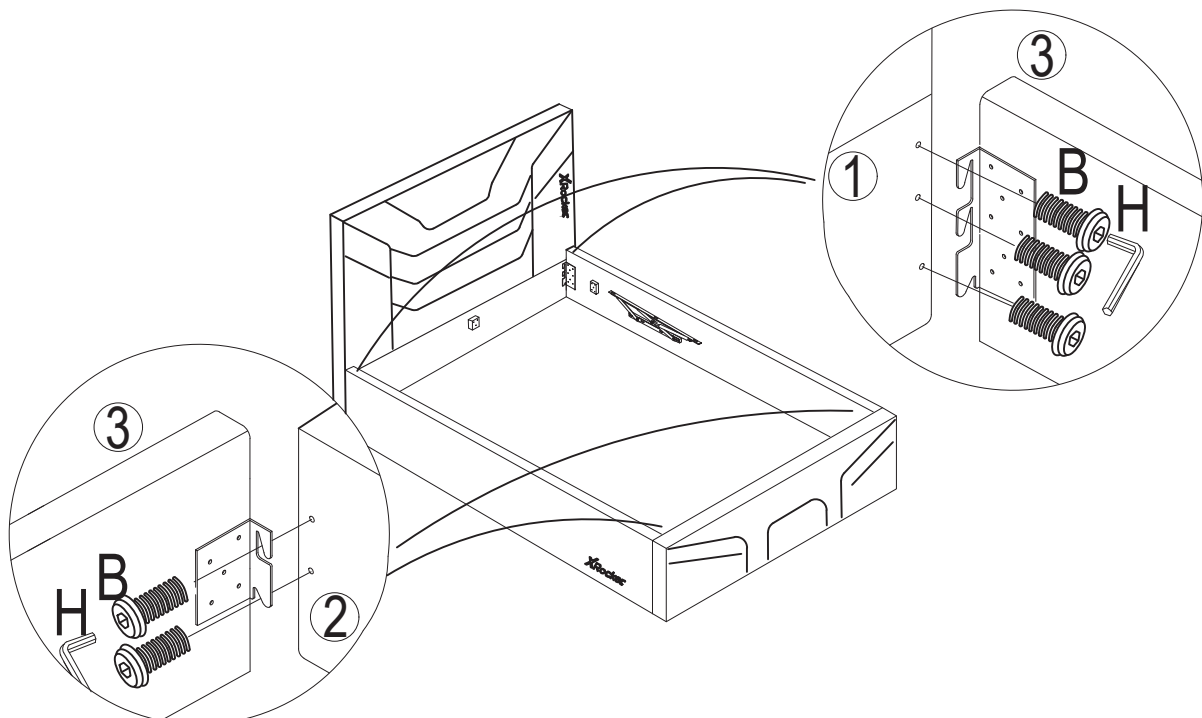
Step 1

(E) 6x 50mm M5 Screw				
-----------------------------------	--	--	--	--

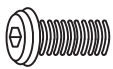


Step 2

(B) 10x 30mm M8 Bolt	(H) 1x M5 Allen Key			
-----------------------------------	----------------------------------	--	--	--

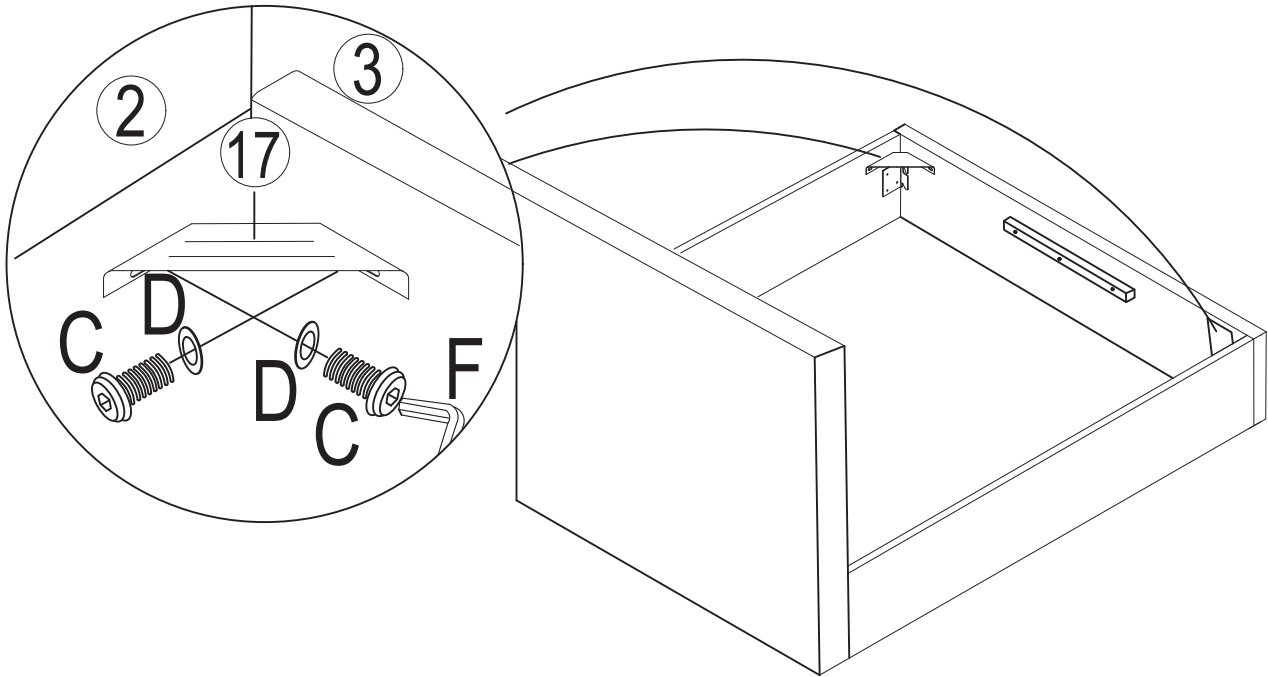


Step 3

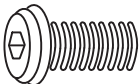
(C) 
4x
30mm M6 Bolt

(D) 
4x
Washer M6x13mm

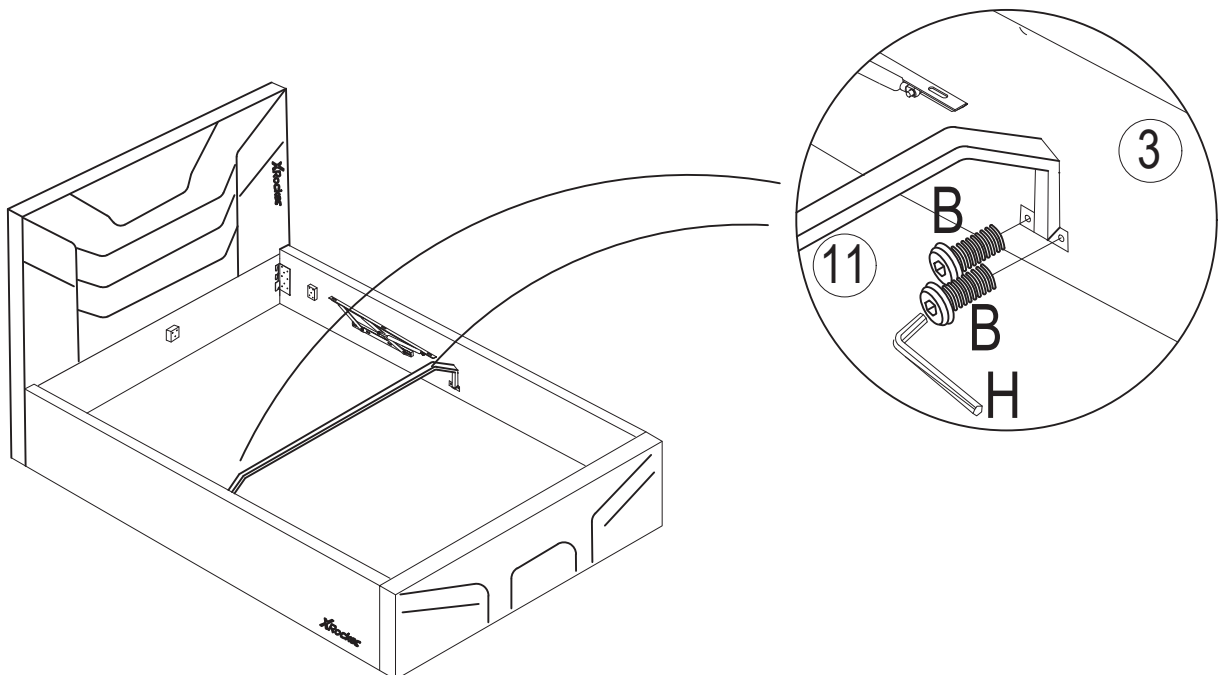
(F) 
1x
M4 Allen Key



Step 4

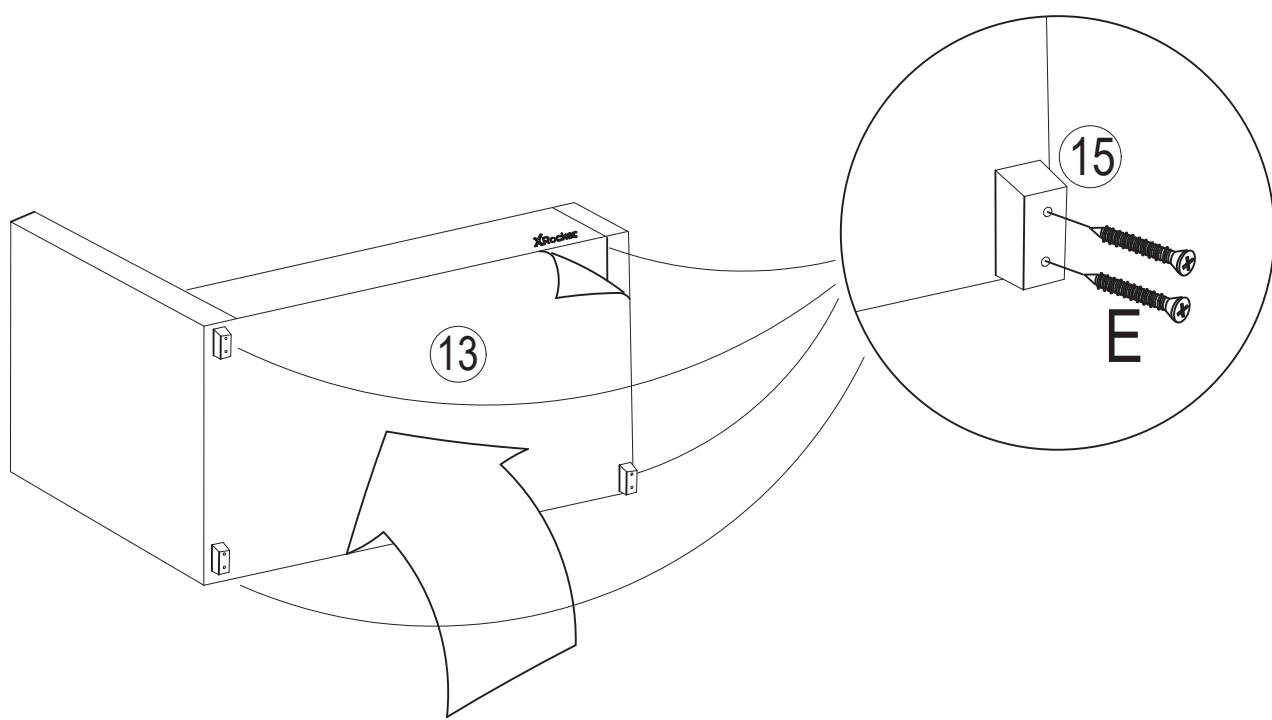
(B) 
4x
30mm M8 Bolt

(H) 
1x
M5 Allen Key



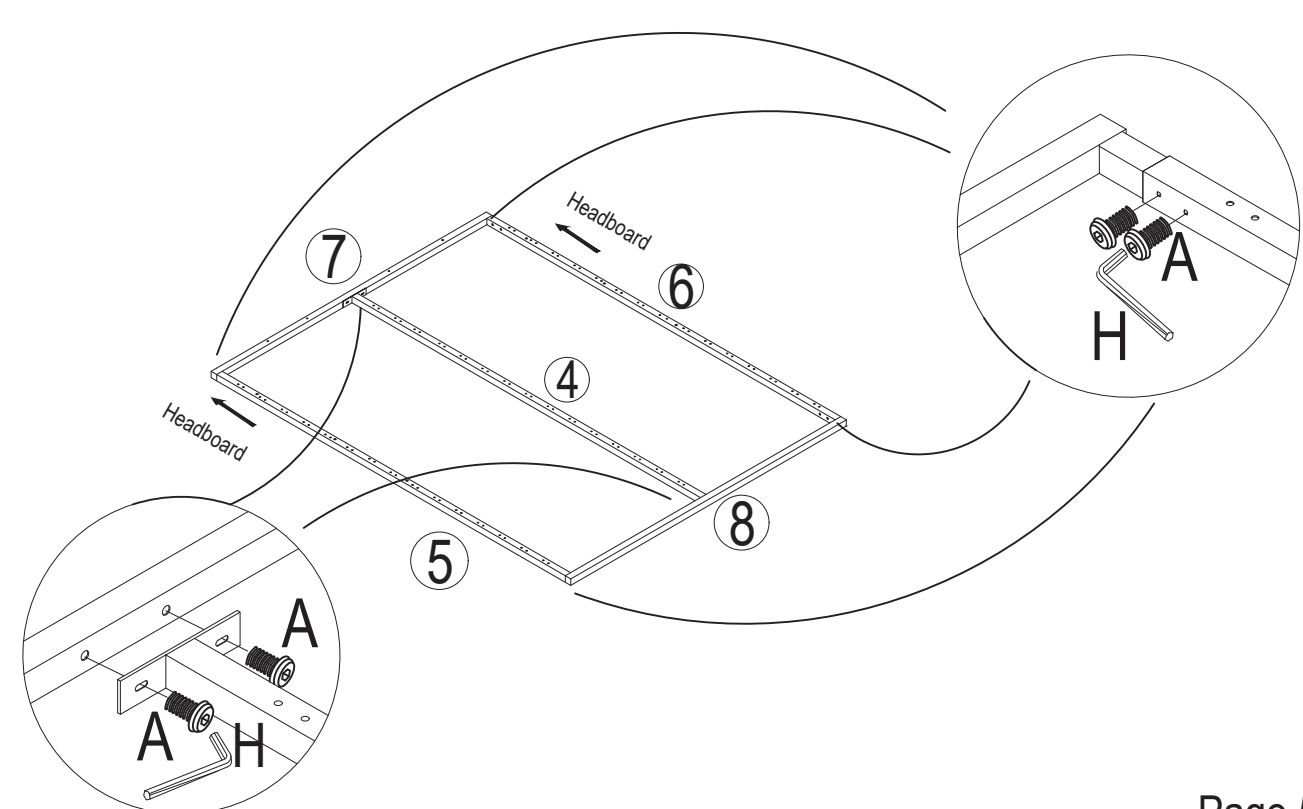
Step 5

E 8x 50mm M5 Screw				
---------------------------------	--	--	--	--



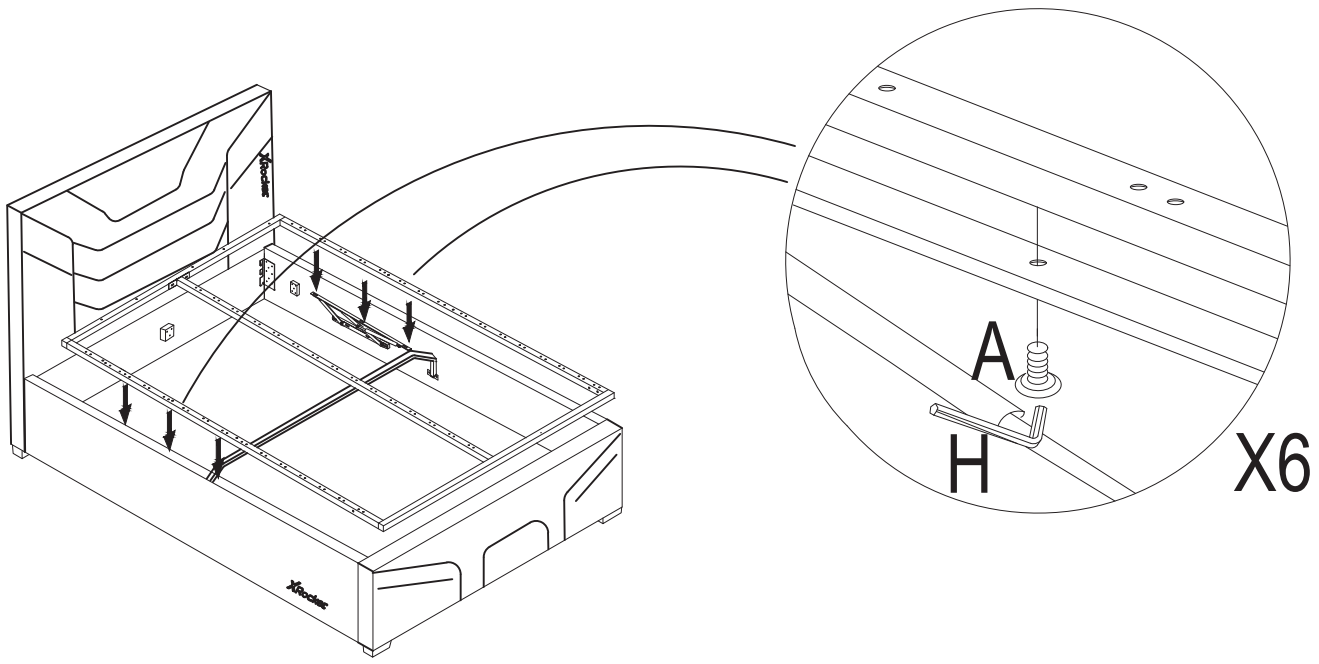
Step 6

A 12x 16mm M8 Bolt	H 1x M5 Allen Key			
---------------------------------	--------------------------------	--	--	--



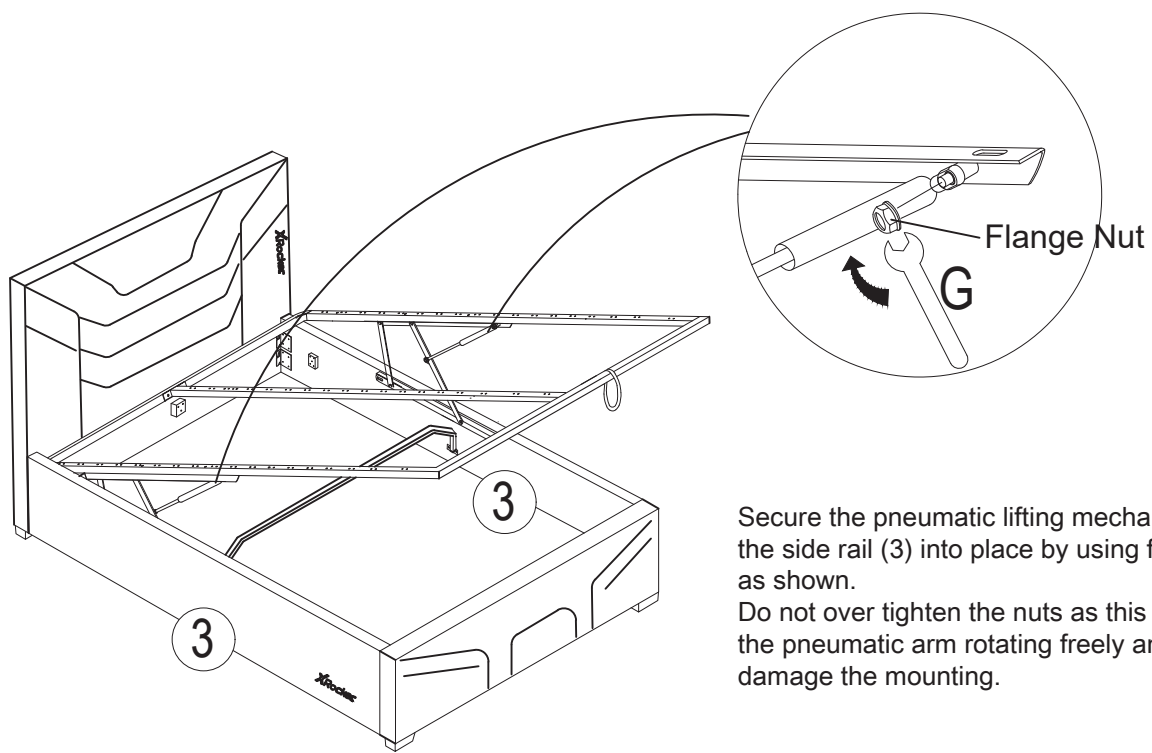
Step 7

(A) 6x 16mm M8 Bolt	(H) 1x M5 Allen Key			
----------------------------------	----------------------------------	--	--	--



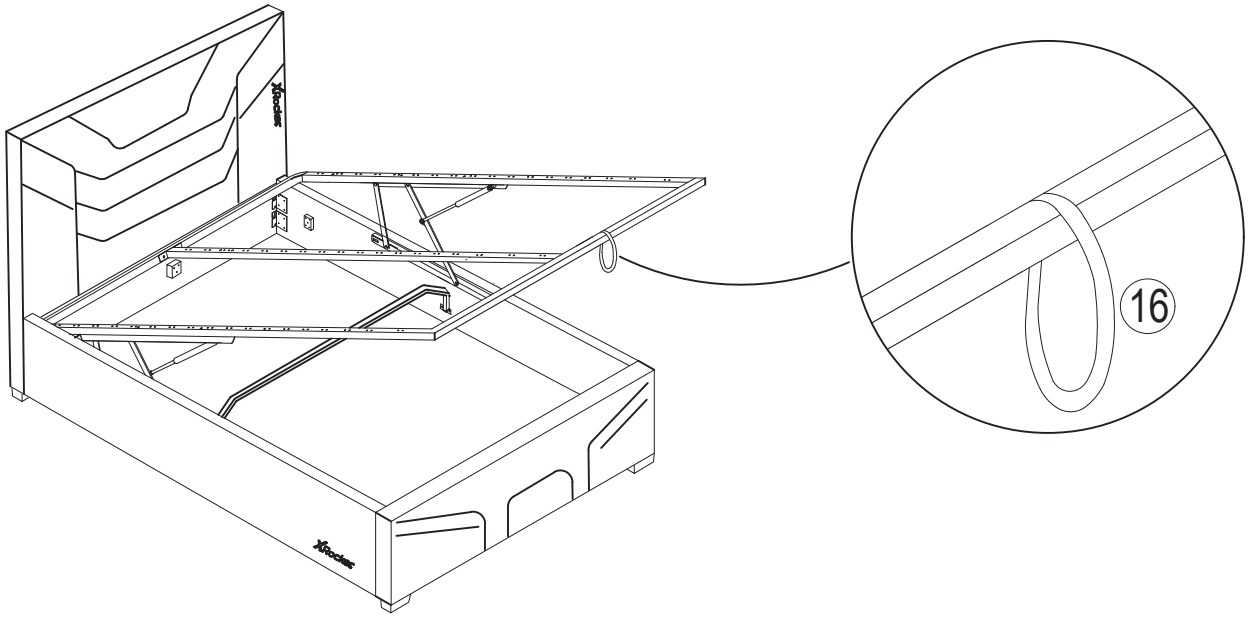
Step 8

(G) 1x Spanner				
-----------------------------	--	--	--	--



Secure the pneumatic lifting mechanisms on the side rail (3) into place by using flange nuts as shown.
Do not over tighten the nuts as this will stop the pneumatic arm rotating freely and could damage the mounting.

Step 9



Step 10

① 14x Centre Slat Cap	J 28x End Slat Cap			
-----------------------------	--------------------------	--	--	--

