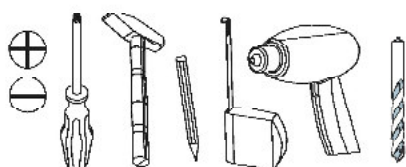
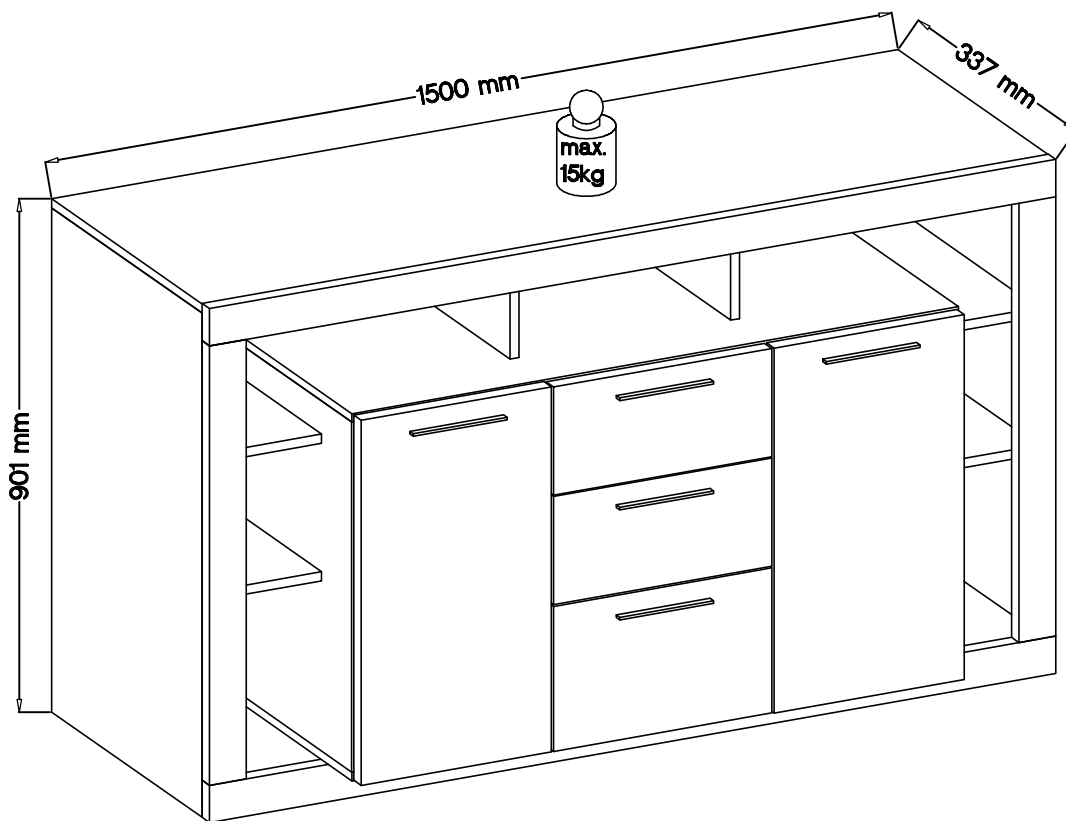
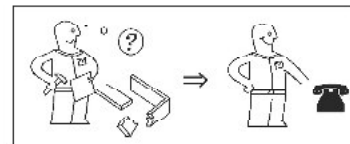
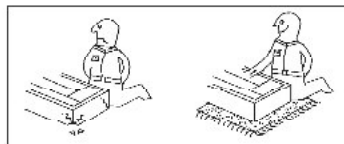
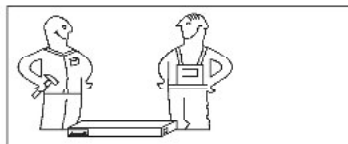


ROCK

1826-870-35
 1826-870-48
 1826-870-49

870



festziehen / tighten / Saremere / serrer /
 stringere / uunirout / vastuokkui / zaugnuti /
 strárgere / zwiázac / zacišnać szorosan
 megrúzni / pevno otcianut / trano priegnuti /
 затянуть / ца ат / fajar / Sikin



einwirken / press in / anfeinern / urienaf
 ribátere / zatišit / Бжапаёре / Indrukken
 bonygnat / cianit / tisenit / tryk in / Introducere
 prin apăsaré / едакты / omputar / içoti bastim



ausmessen / measure / mesurer / misurare /
 opmeten / izmeriti / milara / kimeriti / izmeriti /
 mēsurare / mēsurare / změřit / mēsurare / mēt
 upp / zmierzyc / mootr / Ölçün



drücken / press / presser / stücknout / l-arricere
 / vusnu / nasinac / drücken / priusnu / nacisnac /
 přitlačit / nážaty / (meg)nyomni / apăsaré / tryk
 rast / nacisnac / presionar / bastim





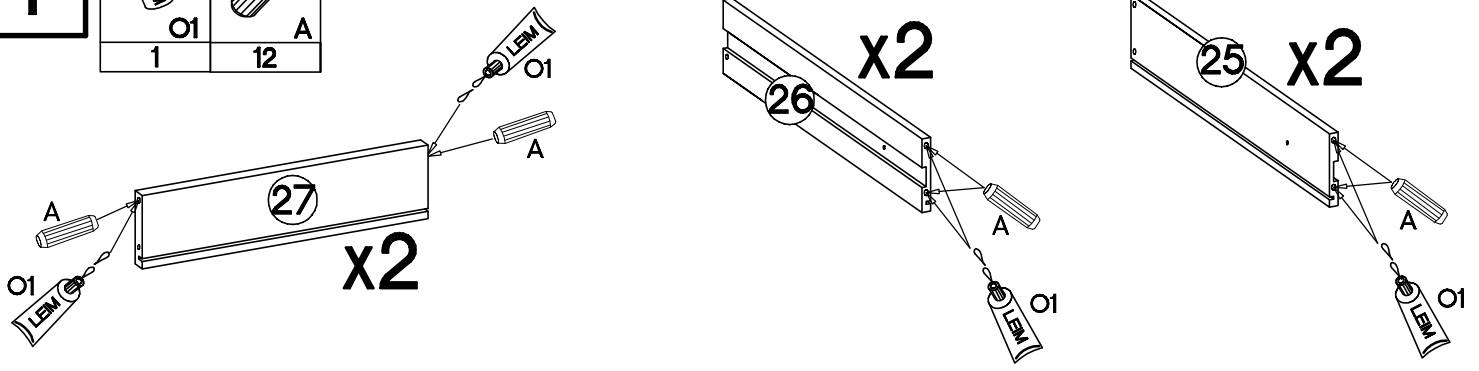
einschlagen / hammer in / bevern / sla in / rapper au
 marbati / infreca / Zhit / parati / Hafidra /
 zabit / wbić / Introducere pînă bătalo / sabiti /
 zatišet / clavar / içoti vinnu





Pushen - wendeln / preskretić - cikaniti / Karan
 - omdraaien / Girare - Ruotare / Okrenuti - ubrnuti
 / Retourner - percvorot / Turn over - turn around /
 Ocloce - obratit / Zastupete - obьvnete / Obmite
 let / Insaaroti - totti / vrid runt - vrid / porokuyiti -
 vьсотити / oločit - obrátit / olforgahi - megfordítani /
 Girar / Çevir

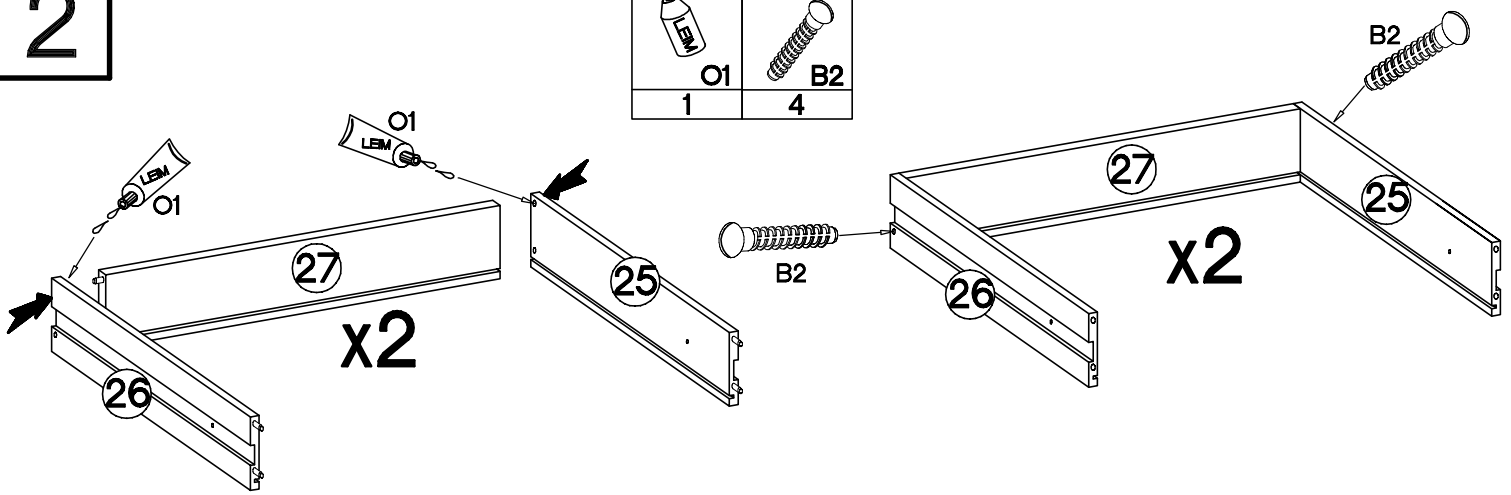
1

	
O1	A
1	12




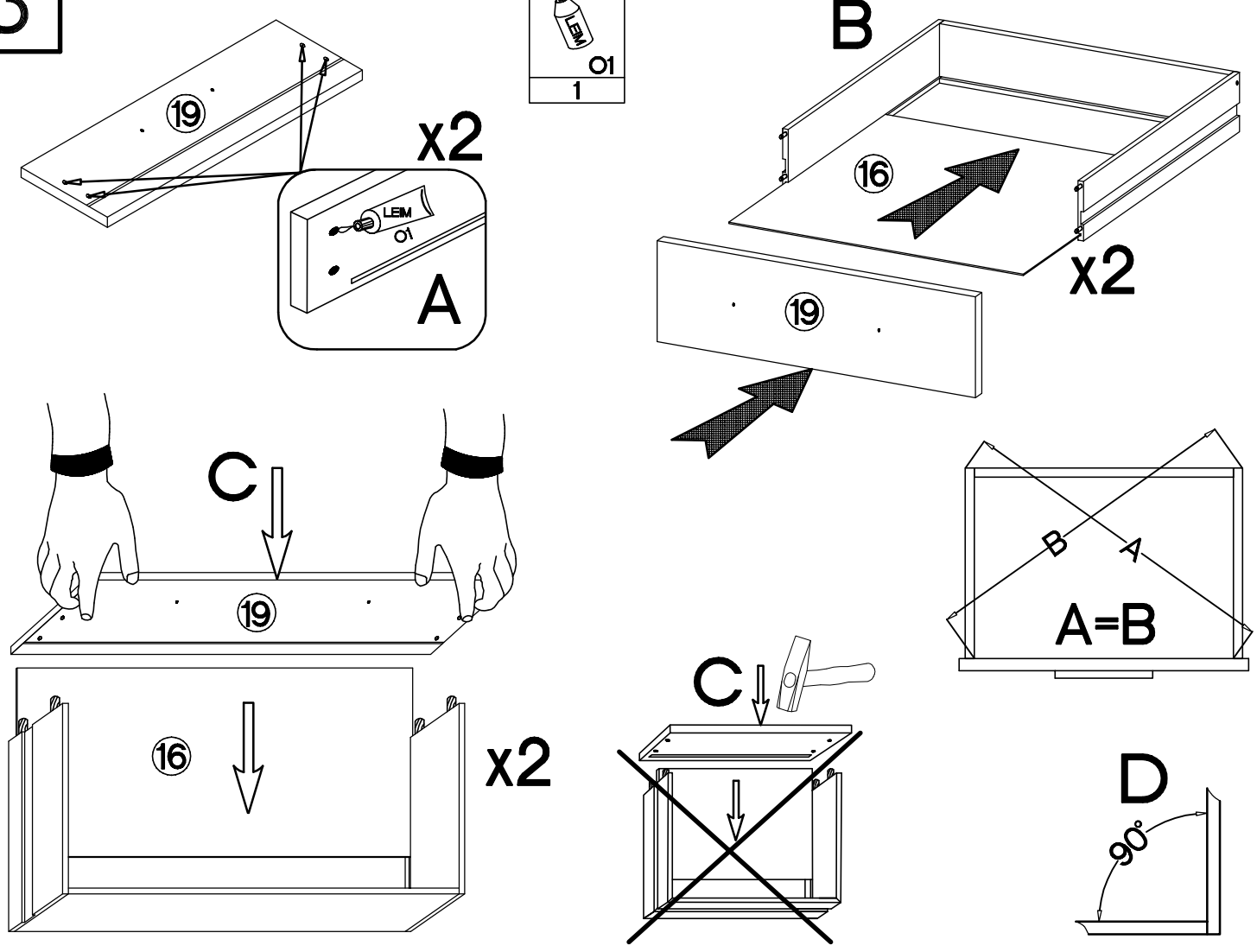
2

	
O1	B2
1	4

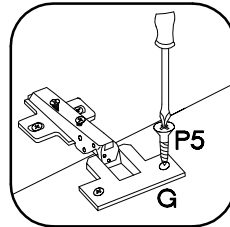
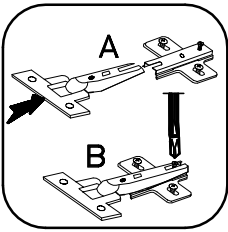


3

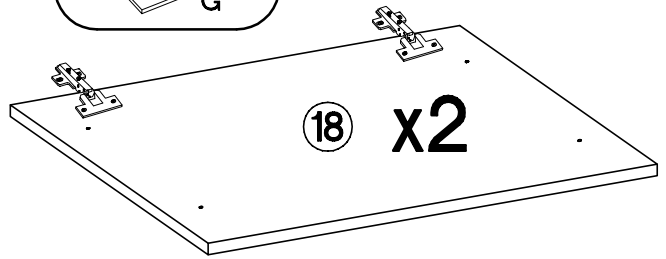
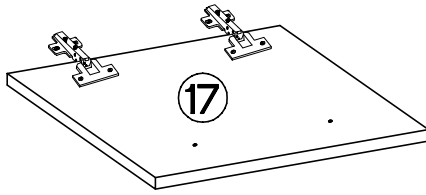

O1
1



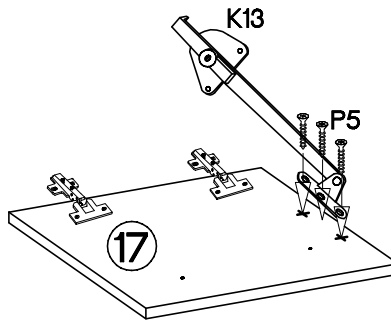
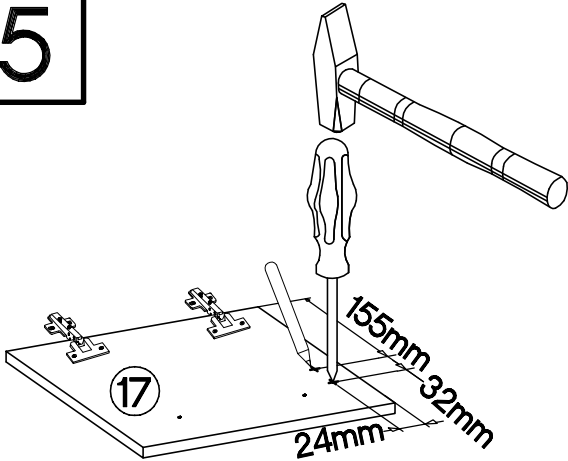
4



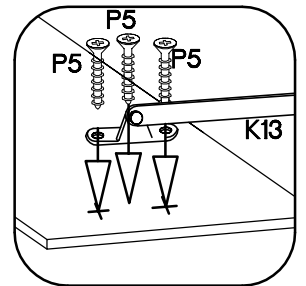
	±35/0mm	±3.5x13mm
H	G	P5
6	6	12



5

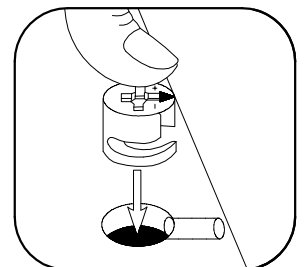
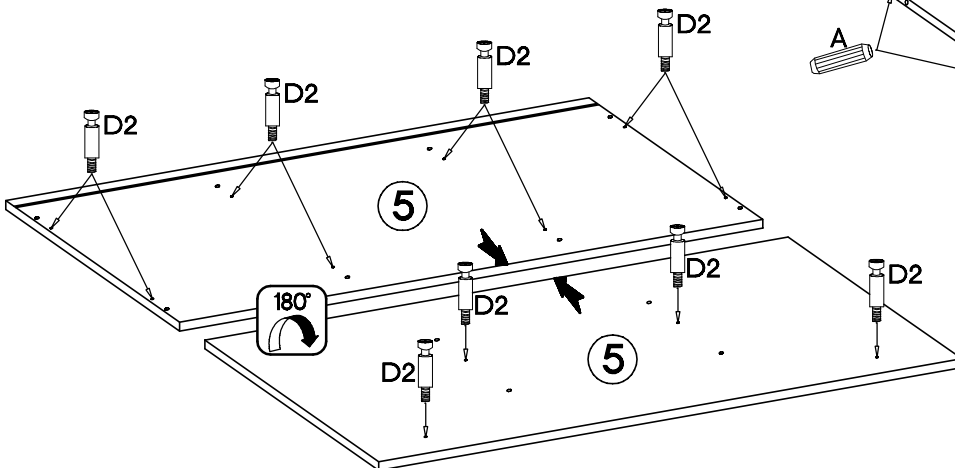
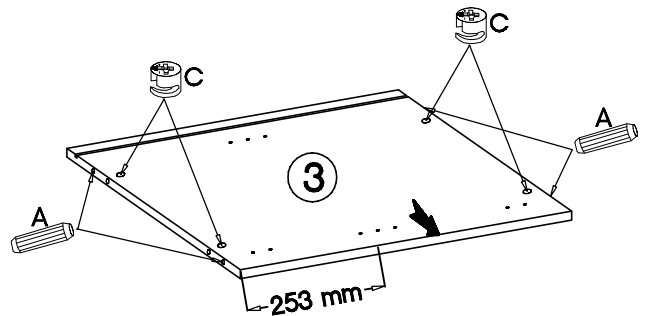
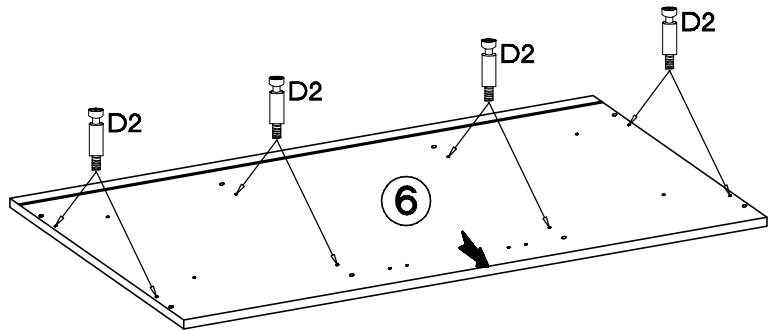
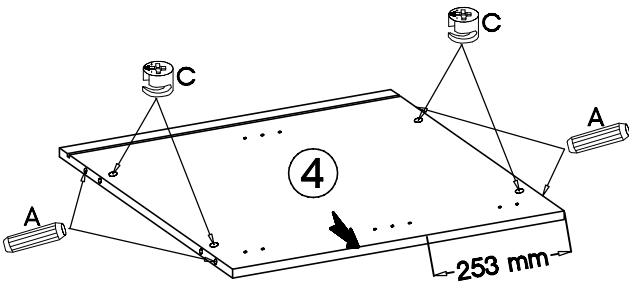


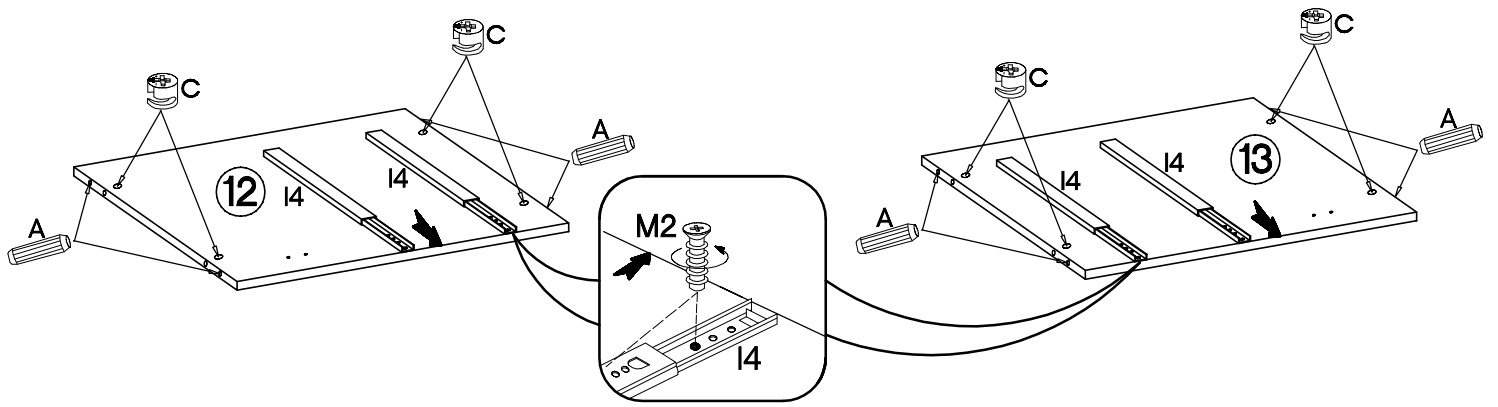
±3.5x13mm	
P5	K13
3	1



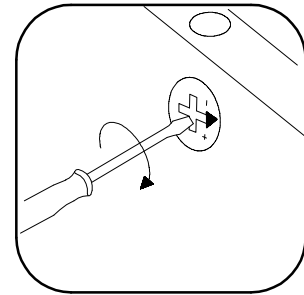
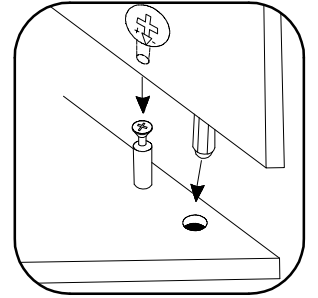
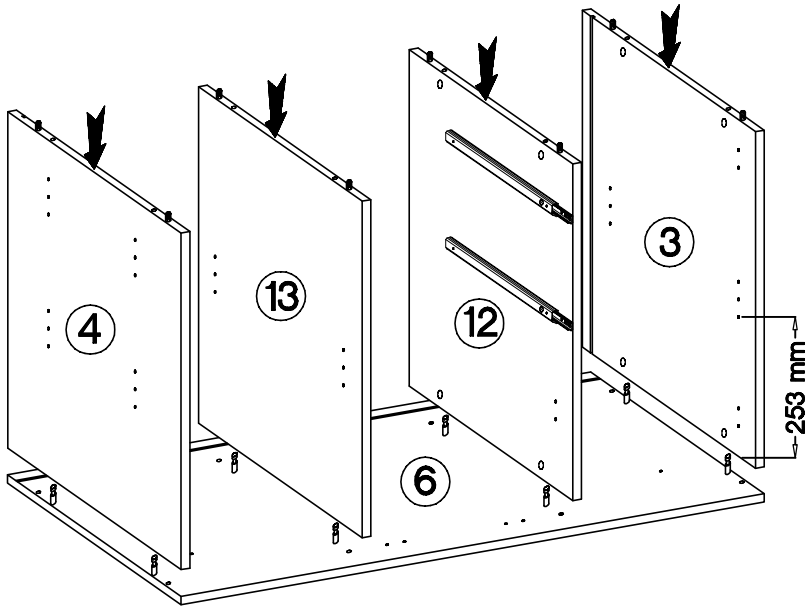
6

L=20mm	±5/12mm	±8x30mm	±6.3x13mm	27/30mm
D2	C	A	M2	I4
20	16	16	8	2

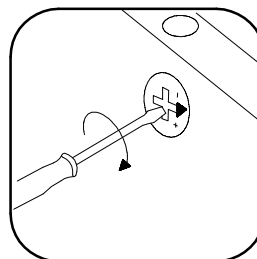
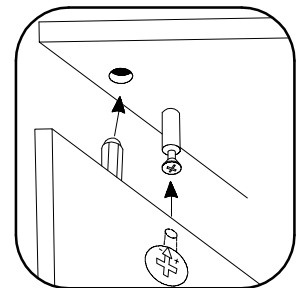
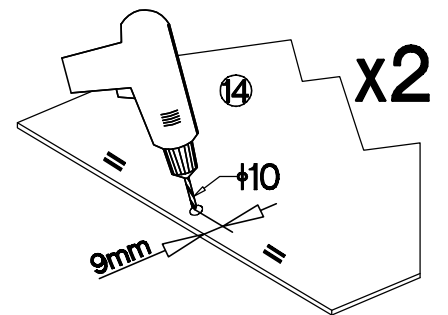
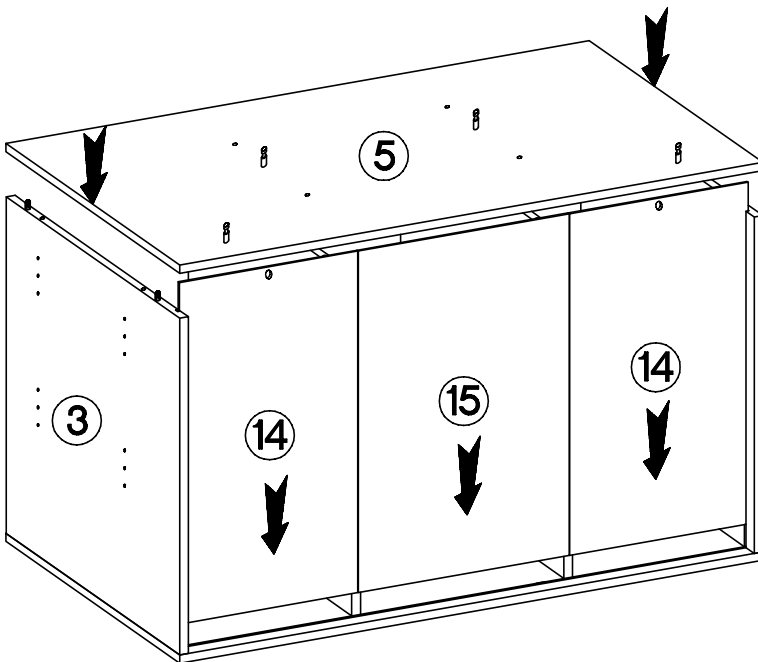




7



8



9

ø3.0x16mm



P11

10



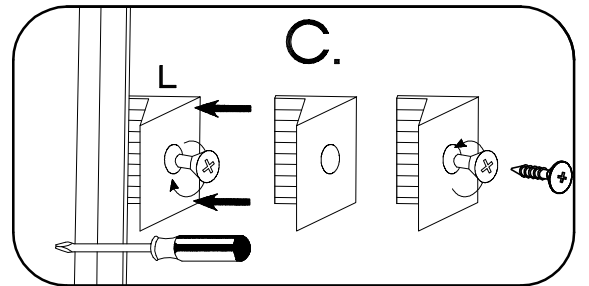
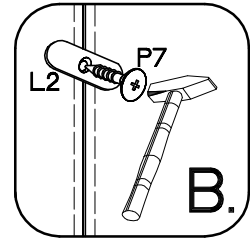
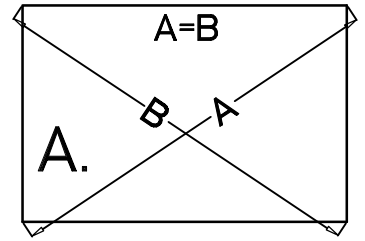
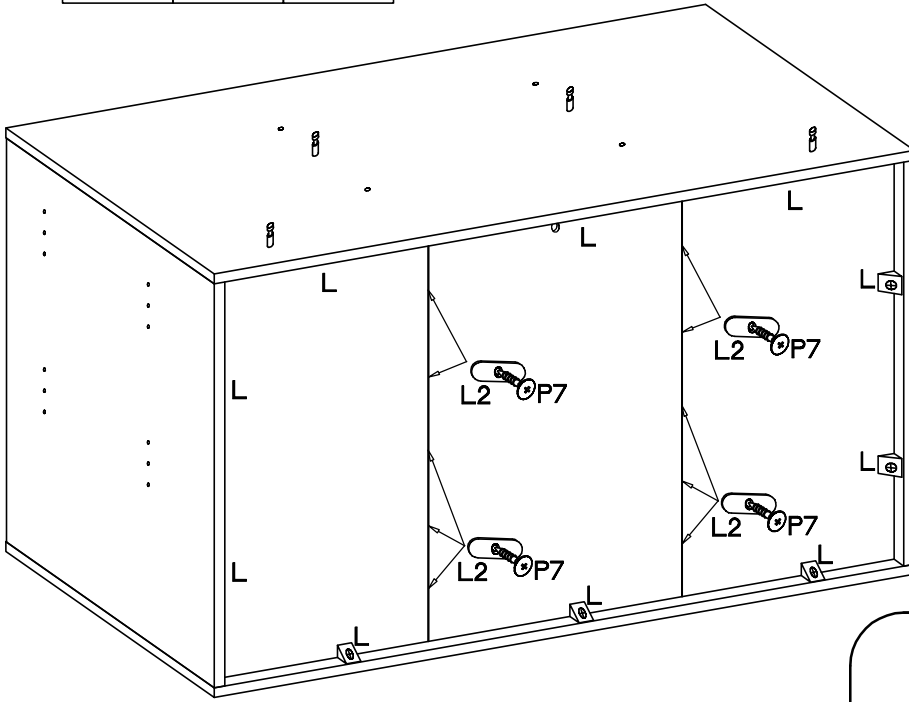
L2

10



L

10



10

L=20mm



D2

14

ø15/12mm



C

22

ø8x30mm



A

16



T9

14



T3

5

ø15x5mm



F4

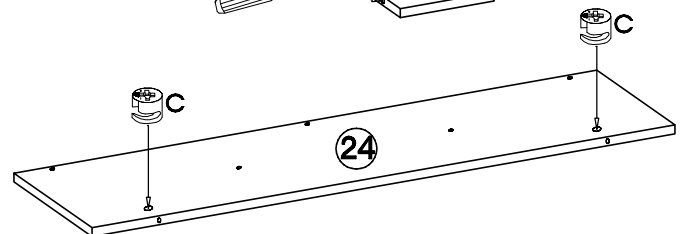
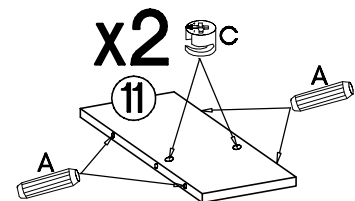
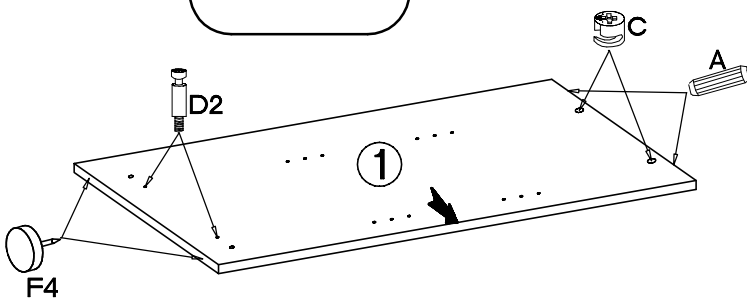
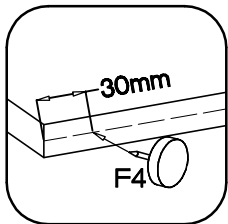
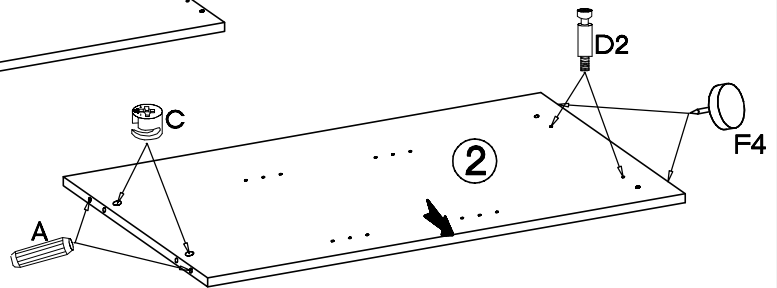
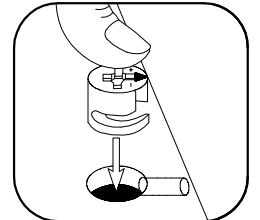
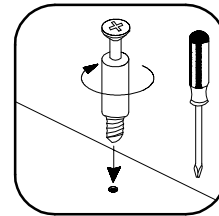
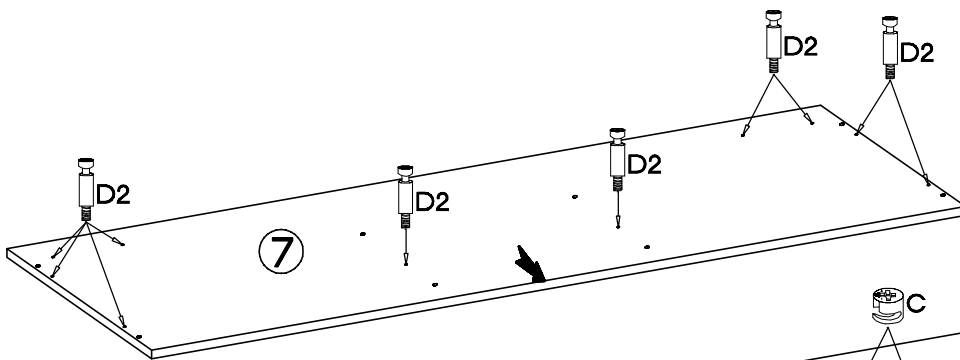
7

ø4.0x16mm





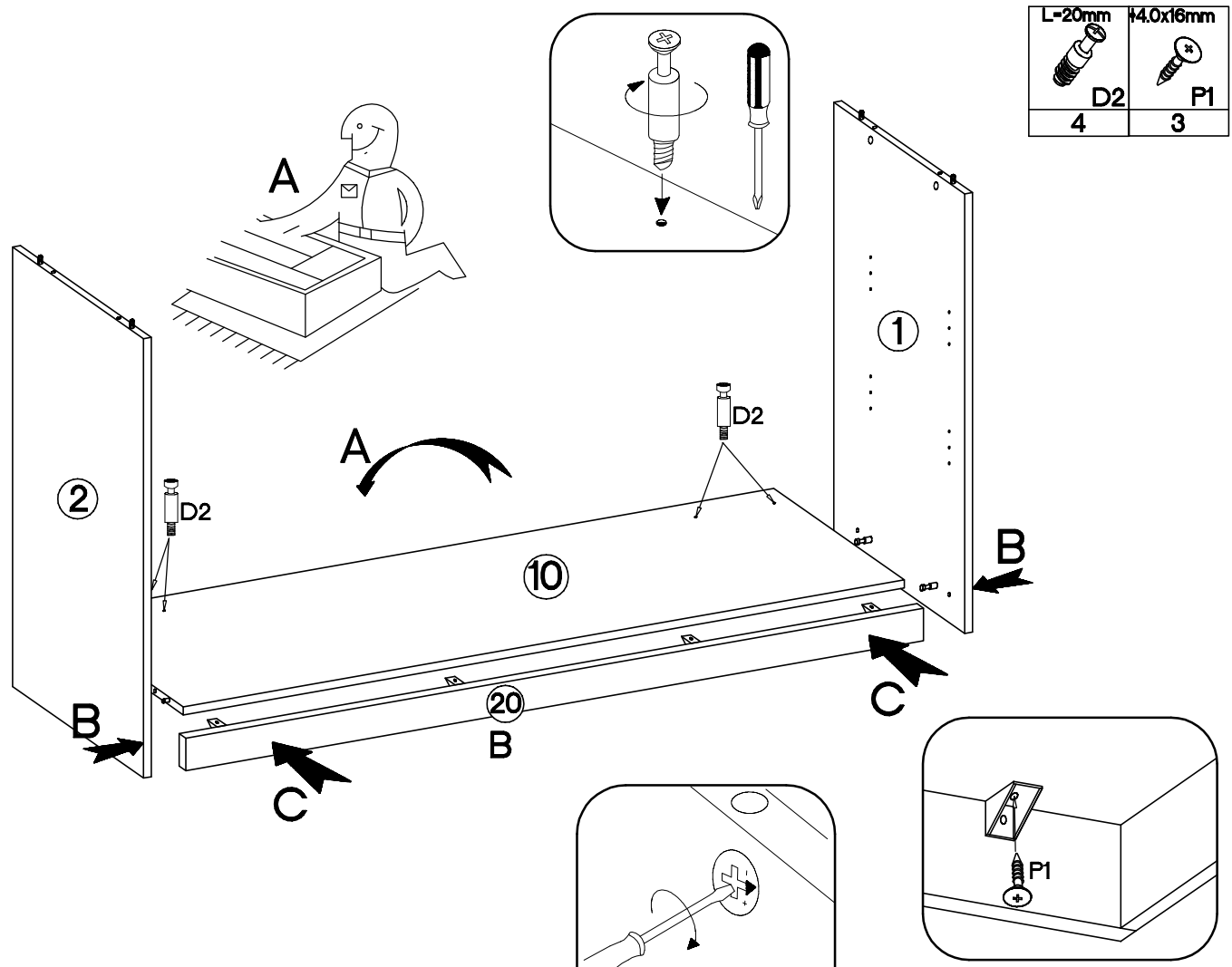
P1

19




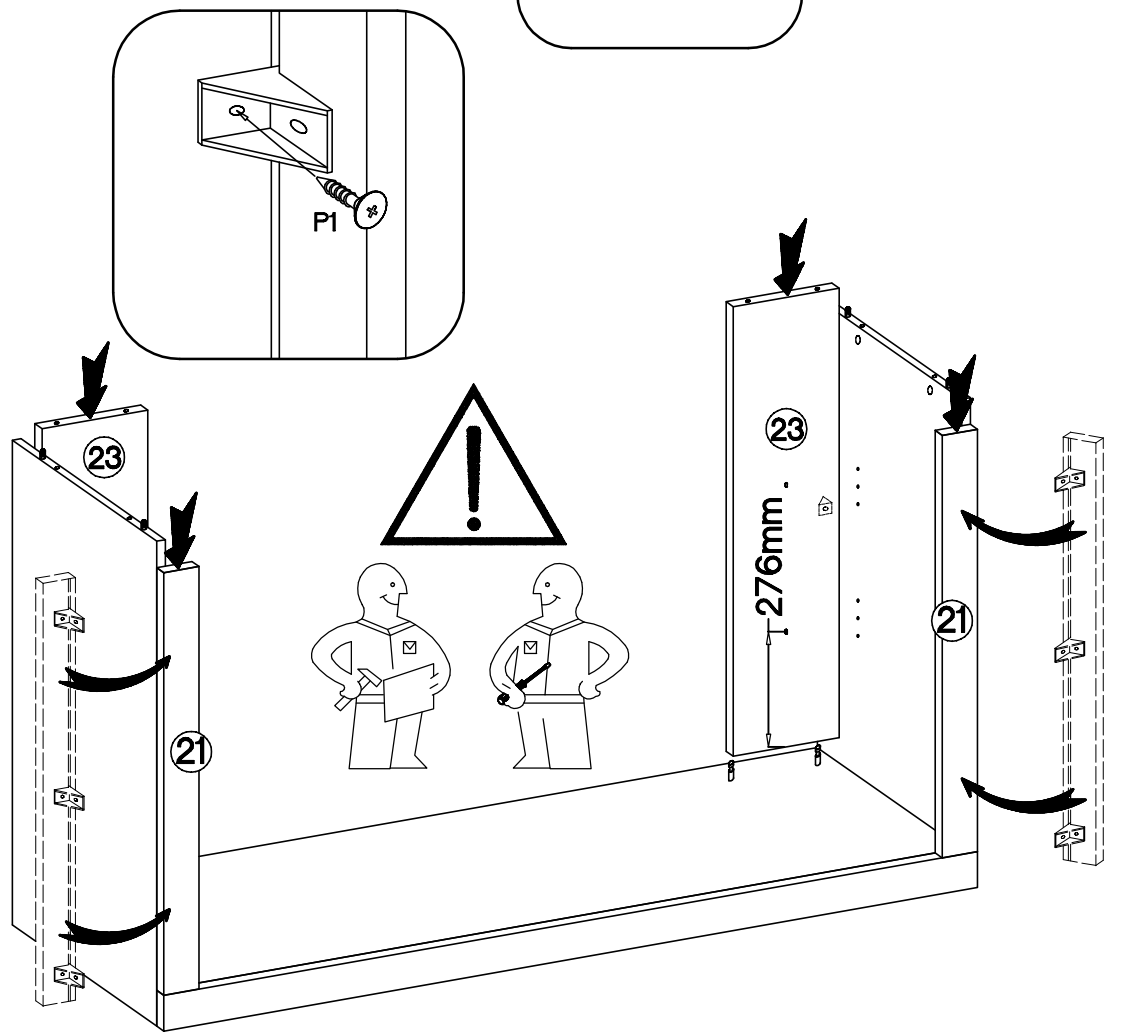
12

L=20mm  D2 4	4.0x16mm  P1 3
---	---

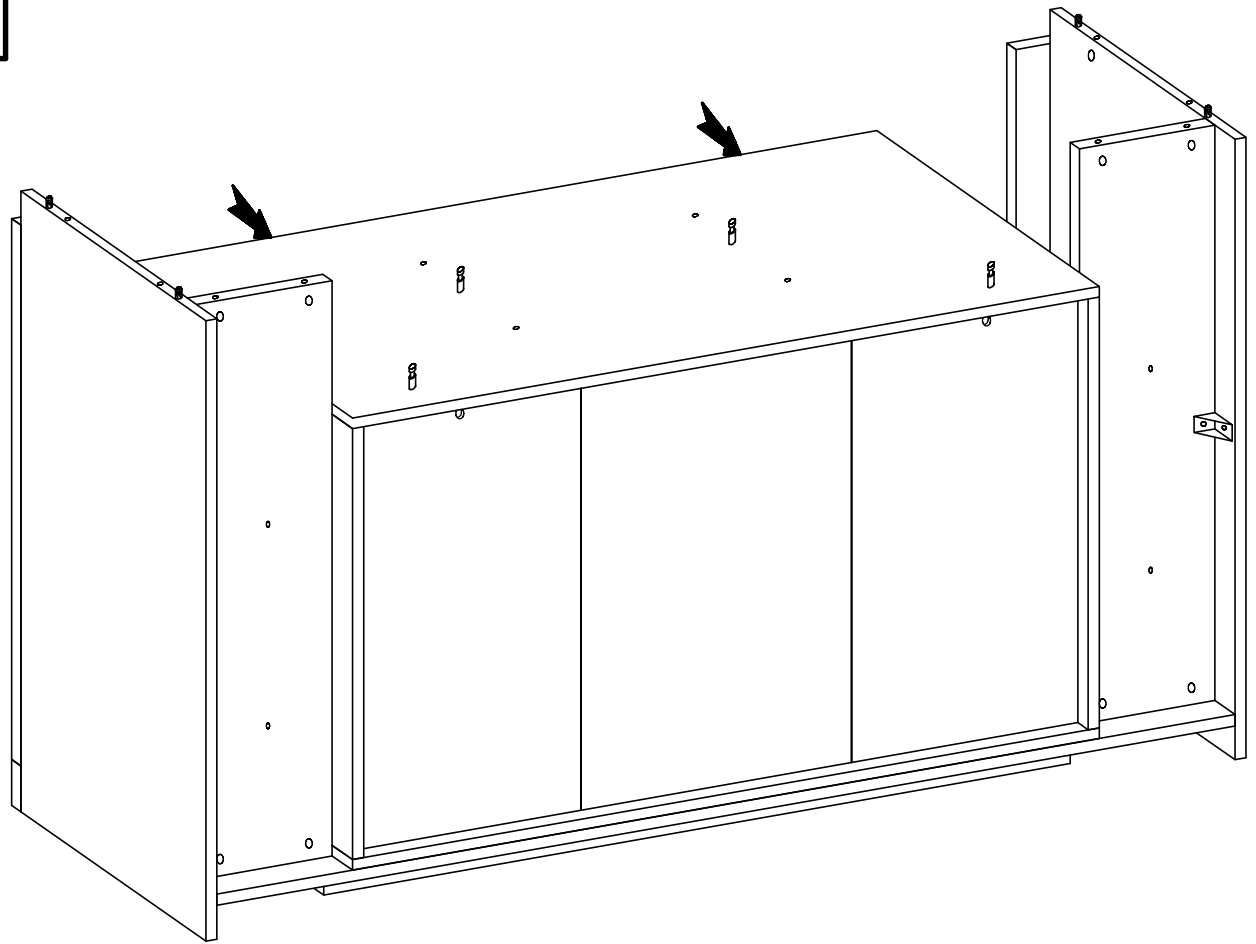


13

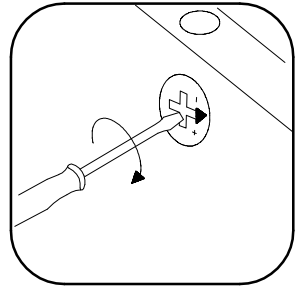
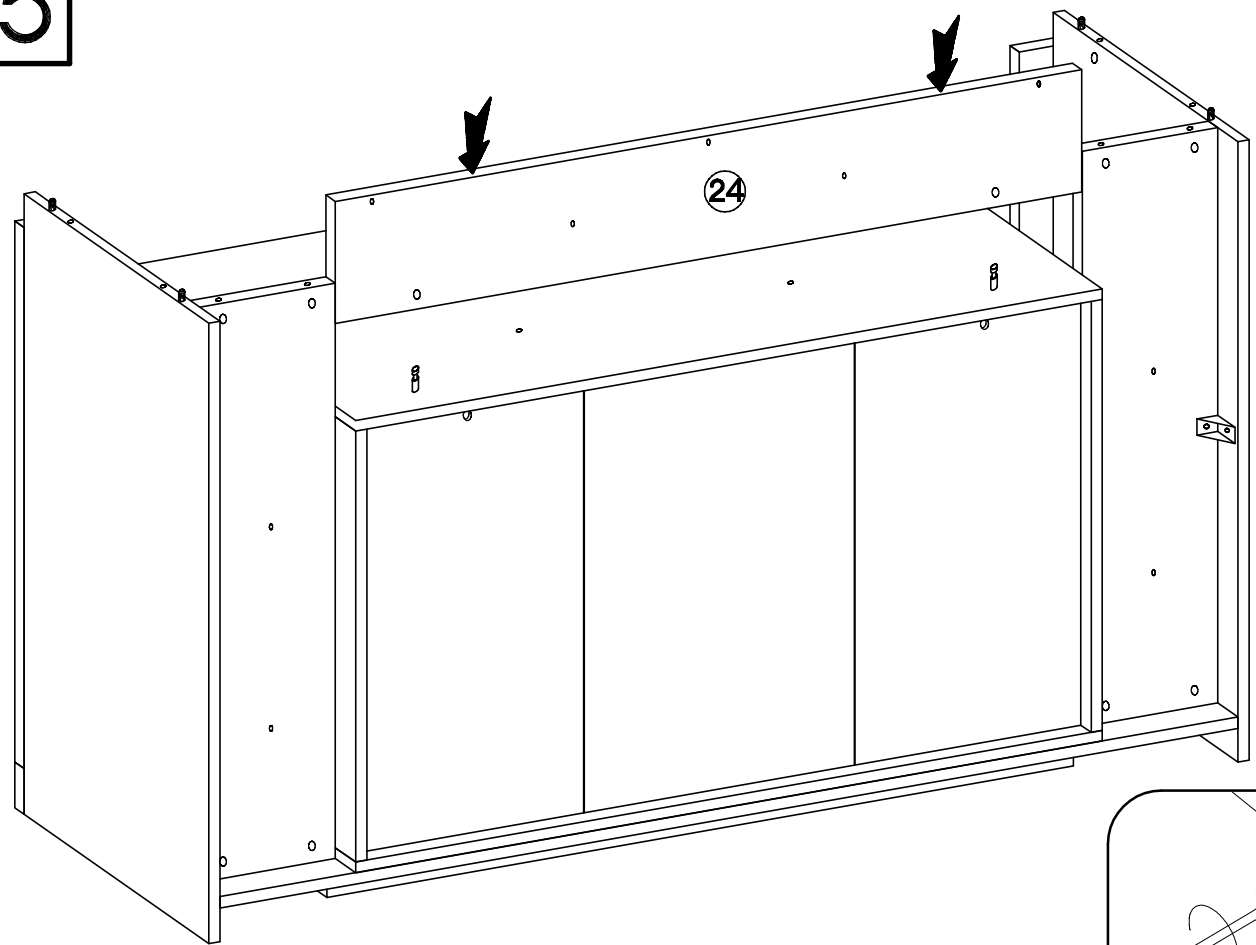
4.0x16mm  P1 6
--



14

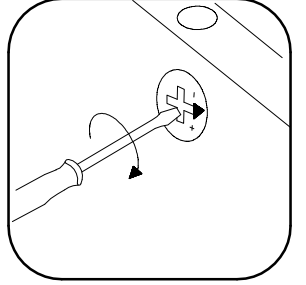
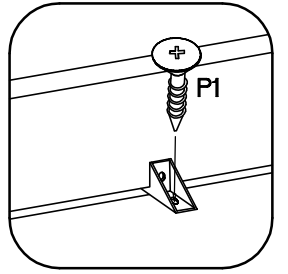
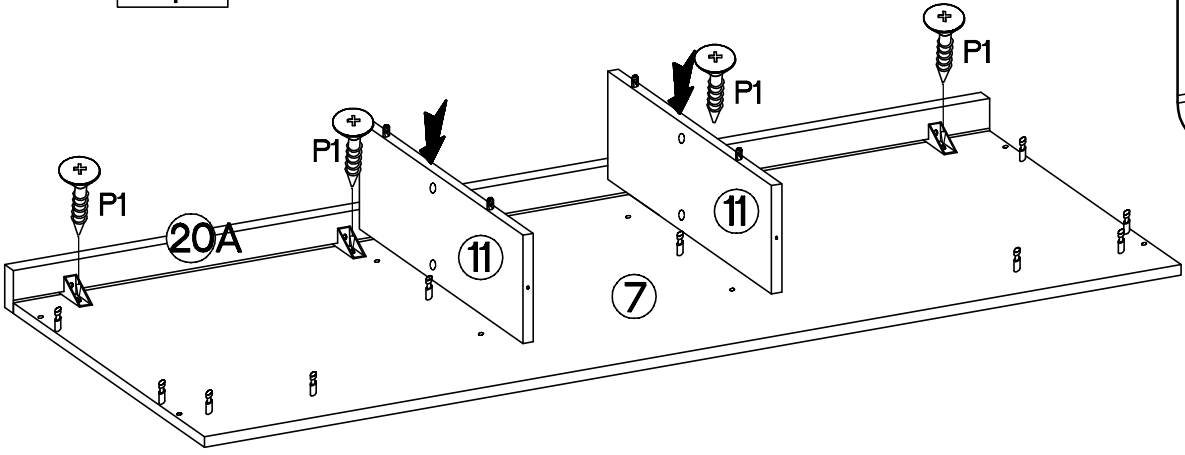


15

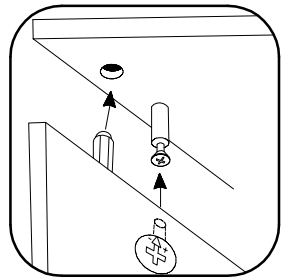
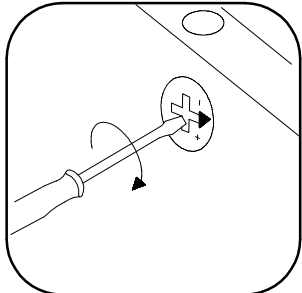
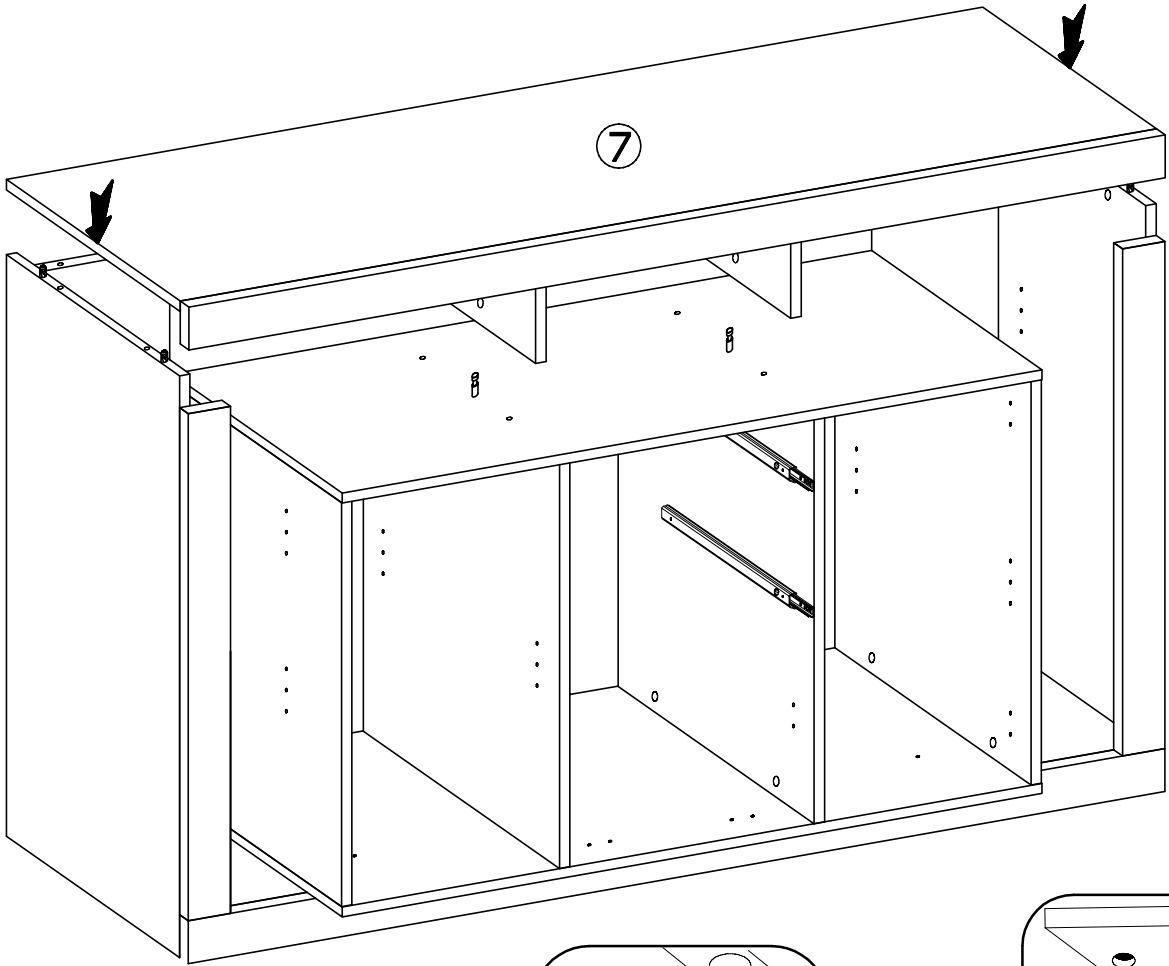


16




4.0x16mm
P1
4

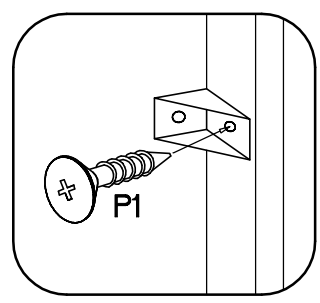
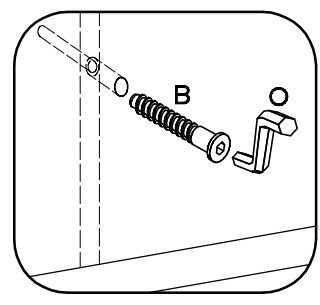
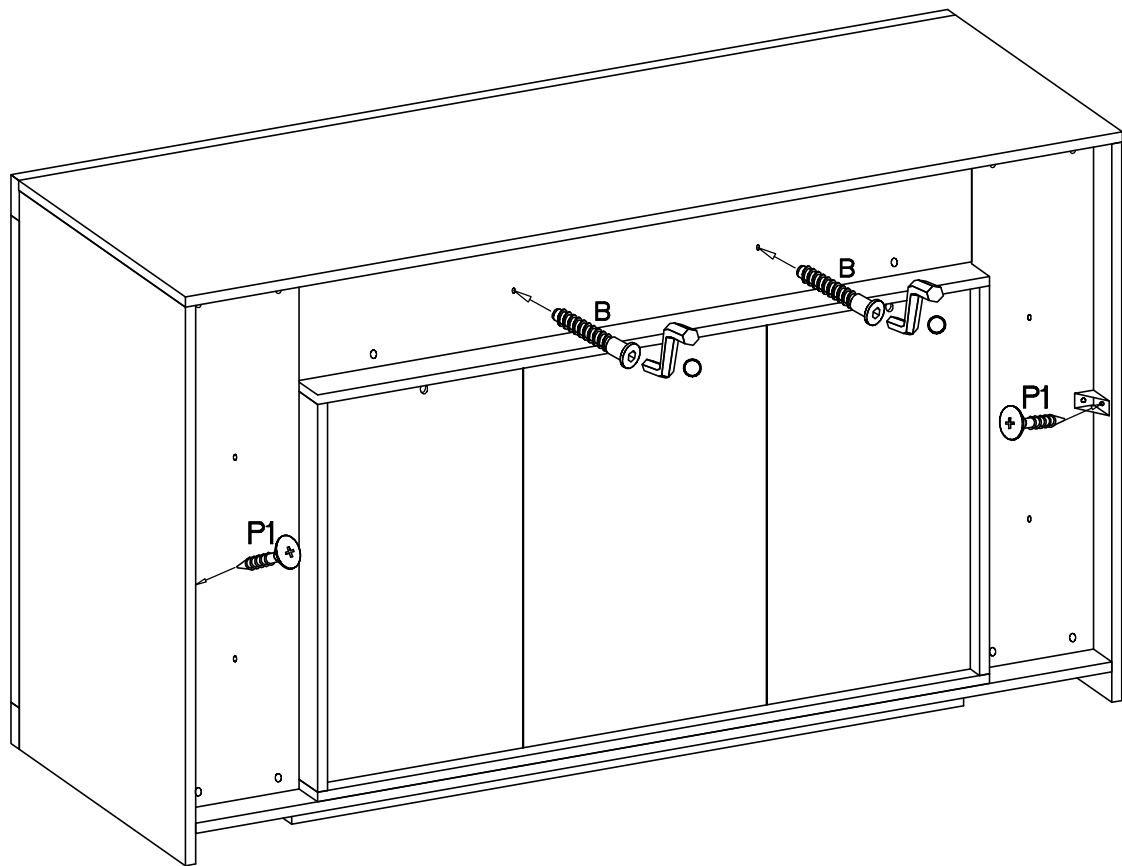


17







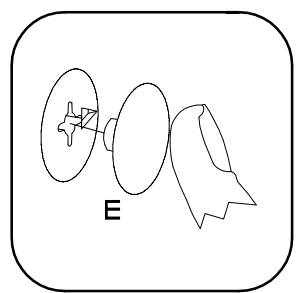
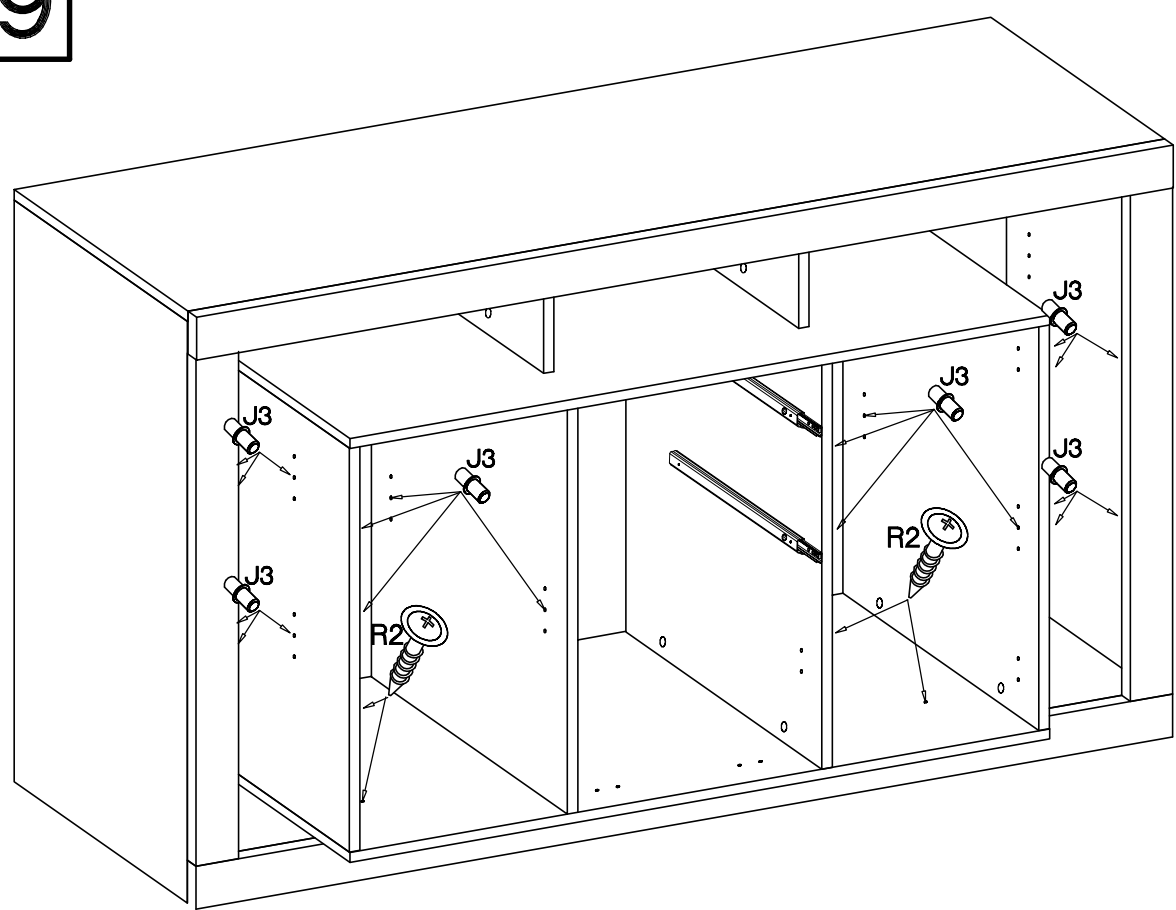
18




$\varnothing 4.0 \times 16 \text{mm}$	$6.4 \times 50 \text{mm}$	
		
P1	B	O
2	2	1

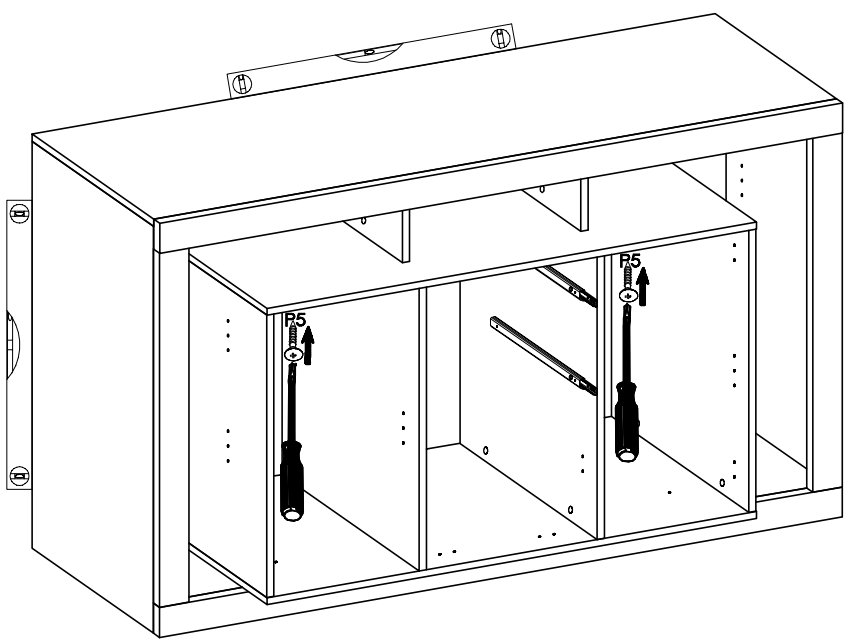
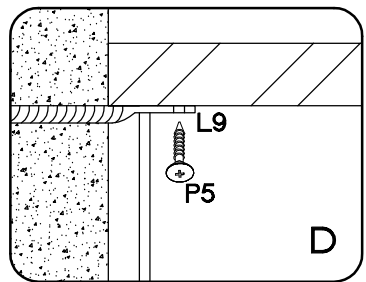
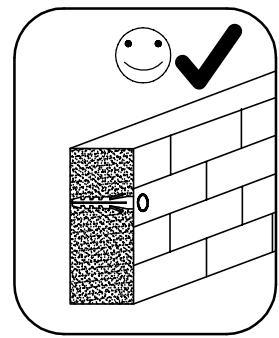
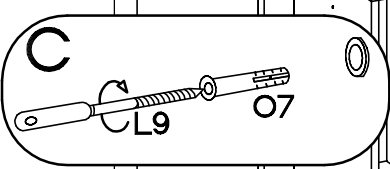
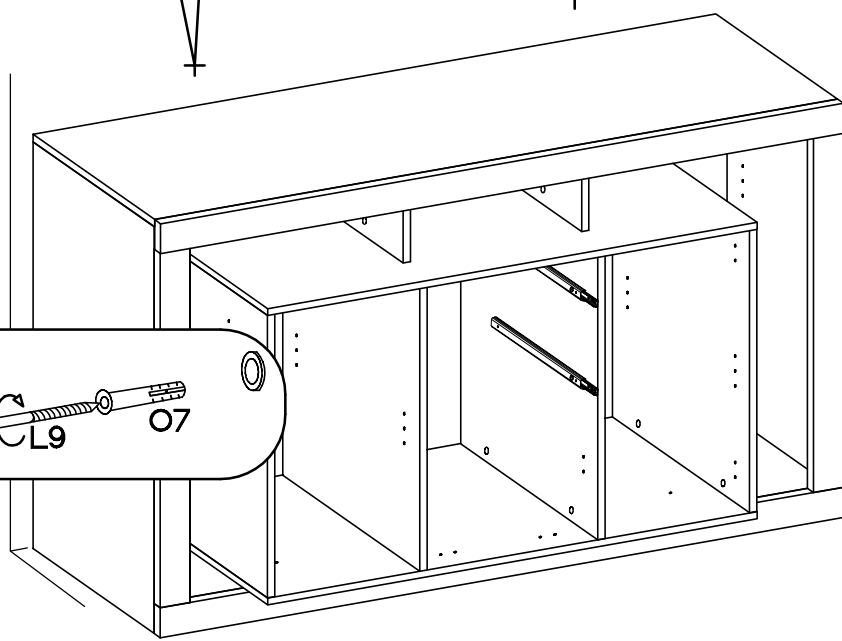
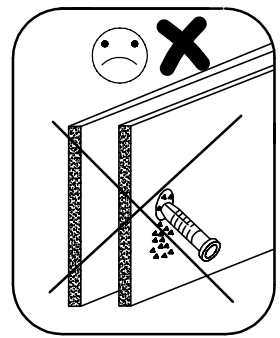
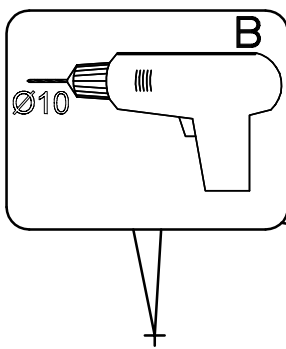
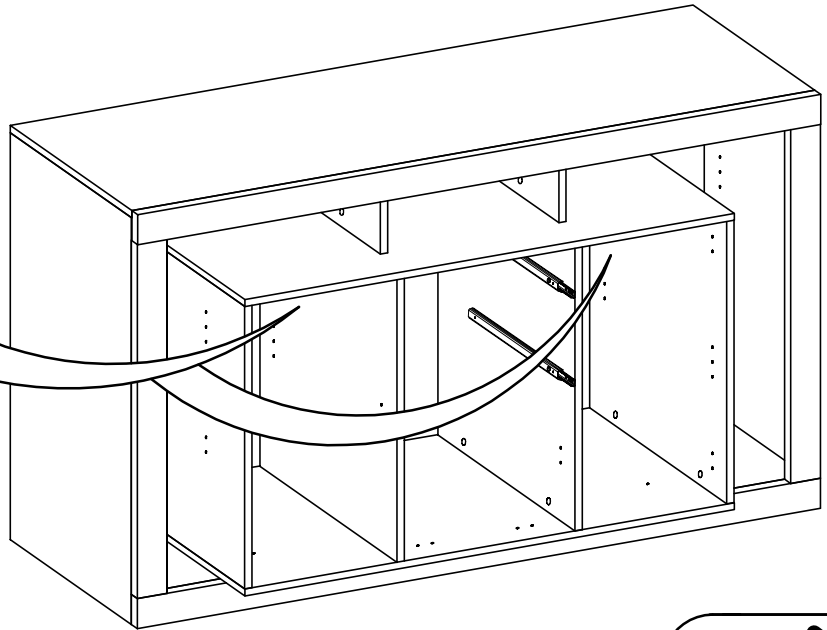
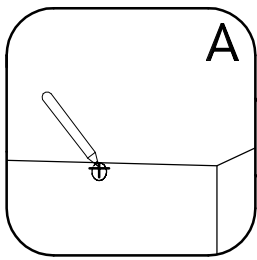


19

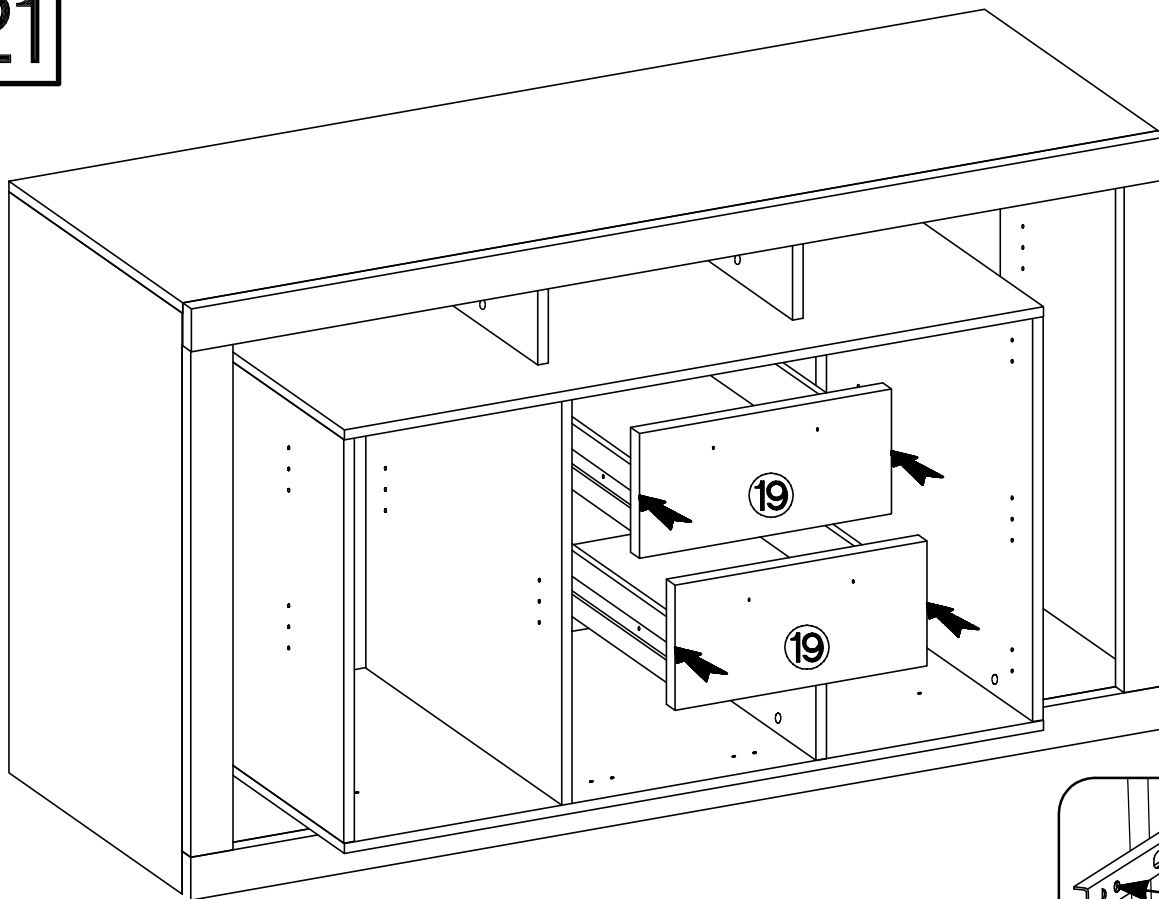
$\varnothing 4.0 \times 30 \text{mm}$	
	
R2	E
4	12
	
E	J3
8	24



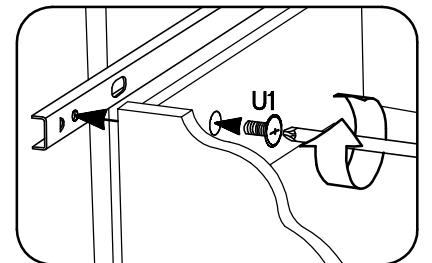
 #10x50mm O7 2	 L9 2	 #3.5x13mm P5 2
---	---	--



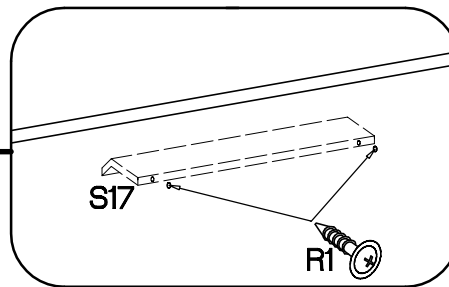
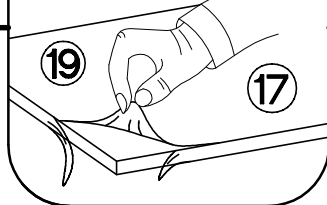
21



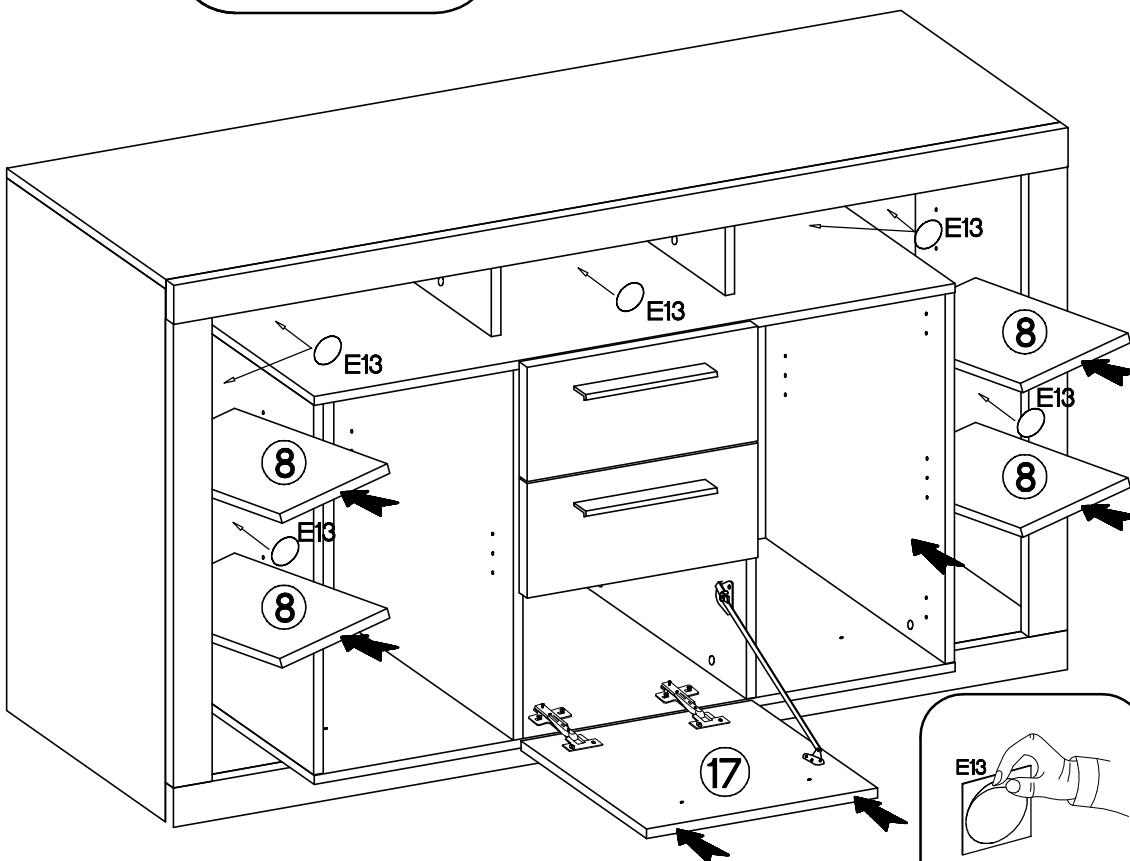
L-192mm	H4.0x27mm
S17	R1
2	4
	M4x9mm
	U1
	4



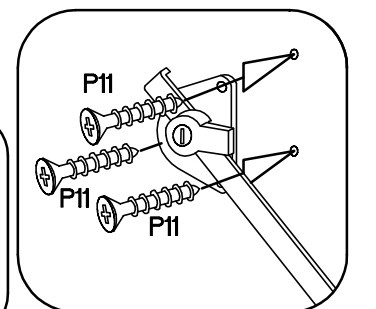
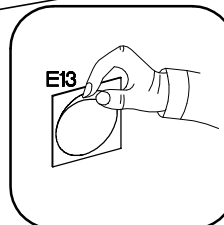
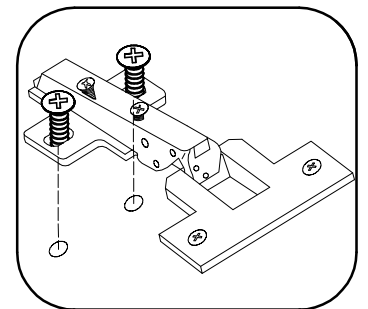
1826-850-35
1826-850-49





22



H4	L-192mm	H4.0x27mm
E13	S17	R1
7	1	2
		H3.0x16mm
		P11
		3



23

L=192mm	4.0x27mm
	
S17	R1
2	4

