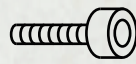


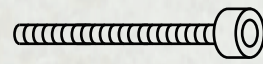
A x 1



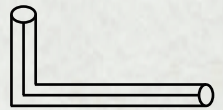
B x 4



C x 12



D x 4



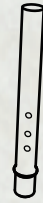
E x 2



F x 1



G x 4



H x 4

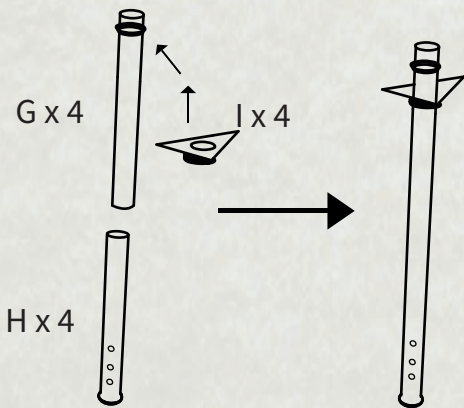


I x 4

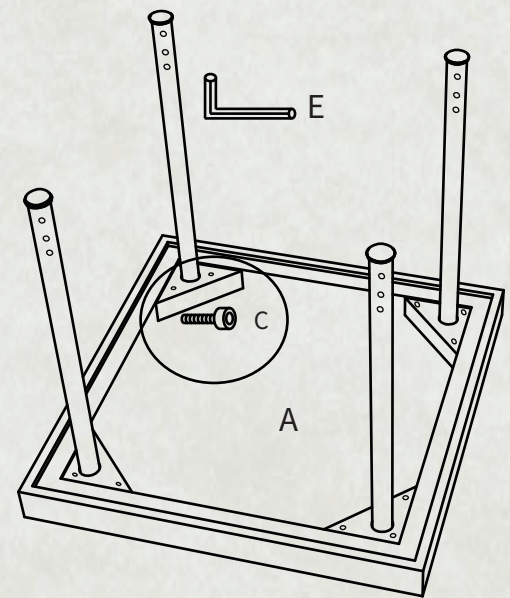


J x 4

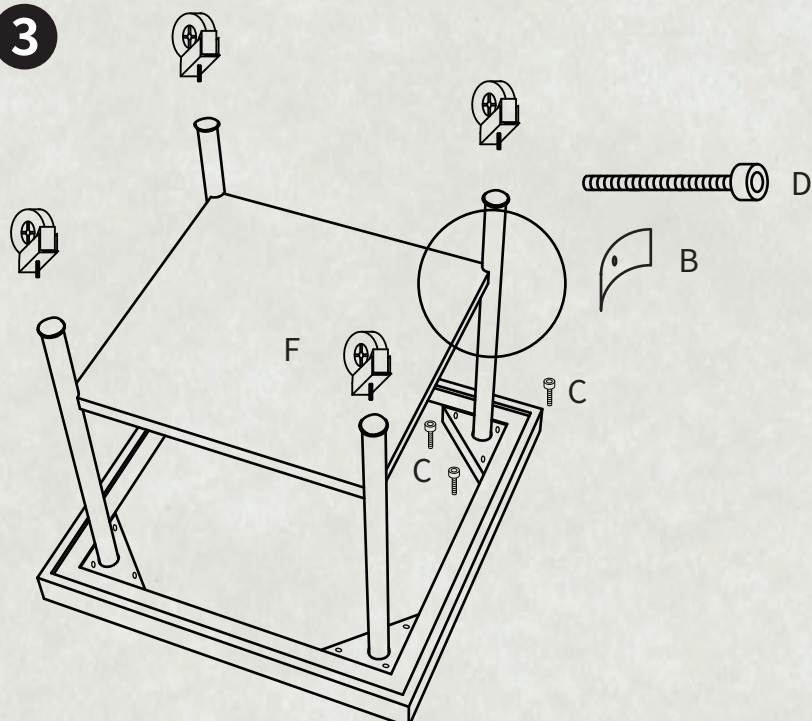
1



2



3



4

