

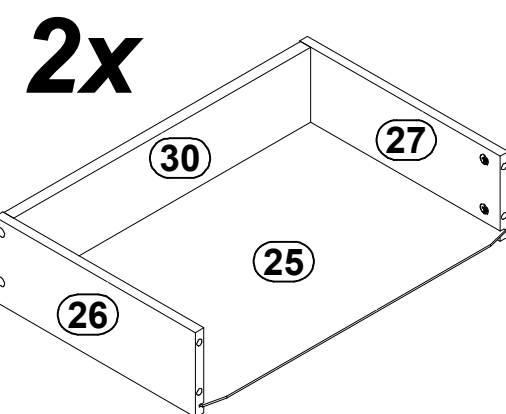
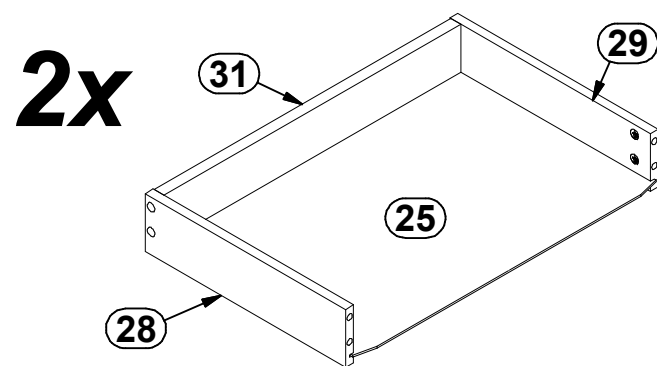
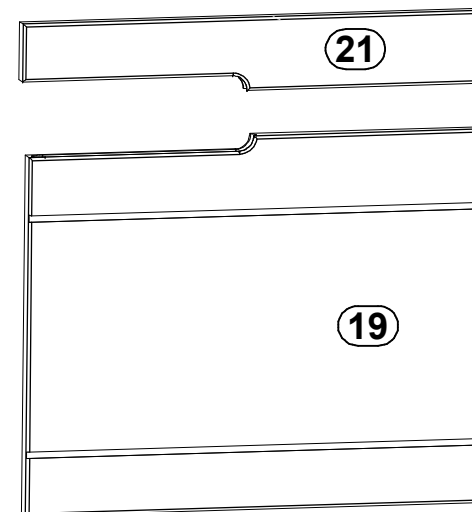
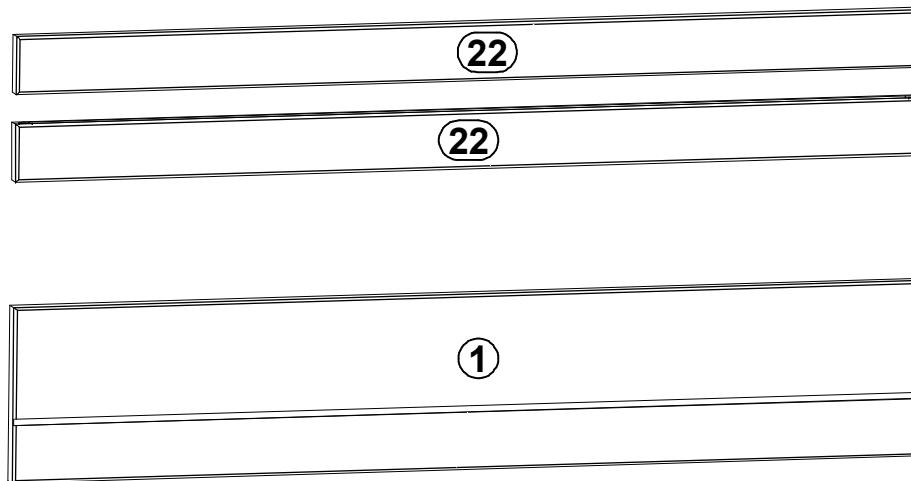
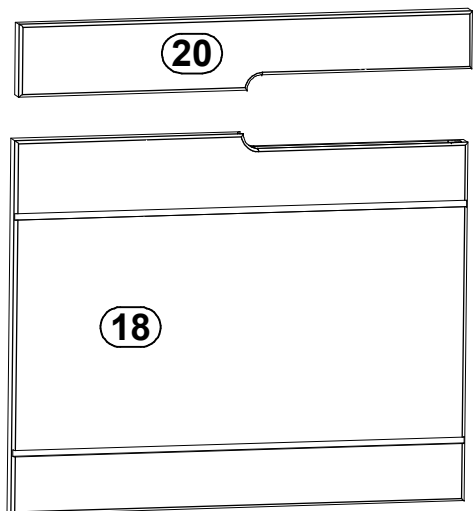
A	B	C1	C2	C3	D
1	S551-0010	996	188	19	3/4
2	S551-1017	484	438	22	1/4
3	S551-1018	484	438	22	1/4
4	S551-1019	484	336	16	3/4
5	S551-1020	484	336	16	3/4
6	S551-1021	165	336	16	3/4
7	S551-1022	143	200	16	1/4
8	S551-1023	144	320	16	3/4
9	S551-2011	2045	440	22	2/4
10	S551-2012	2045	440	22	4/4
11	S551-3016	984	336	16	3/4
12	S551-3017	984	336	16	3/4
13	S551-3018	491	326	16	3/4
14	S551-4005	1806	100	16	2/4
15	S551-4006	344	100	16	3/4
16	S551-4007	344	100	16	3/4
17	S551-4009	344	100	16	3/4
18	S551-7016	496	400	19	1/4
19	S551-7017	496	400	19	1/4
20	S551-7018	496	78	19	3/4
21	S551-7019	496	78	19	3/4
22	S551-7020	996	62	19	3/4
23	S551-7308	980	100	16	3/4
24	S551-9011	2010	494	2,5	2/4
25	WSP-9438	454	308	2,5	3/4
26	ZQ6-517	300	110	12	1/4
27	ZQ6-518	300	110	12	1/4
28	ZQ6-525	300	75	12	1/4
29	ZQ6-526	300	75	12	1/4
30	ZQ6-5288	444	97	15	1/4
31	ZQ6-5289	444	62	15	1/4
32	S551-7309	396	100	12	3/4

A

S551-RTV2D2S

10M6--31

3 /21



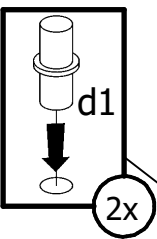
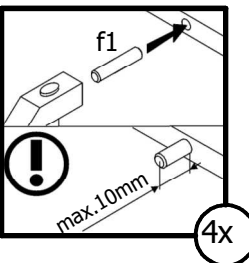
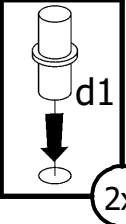
A

S551-RTV2D2S

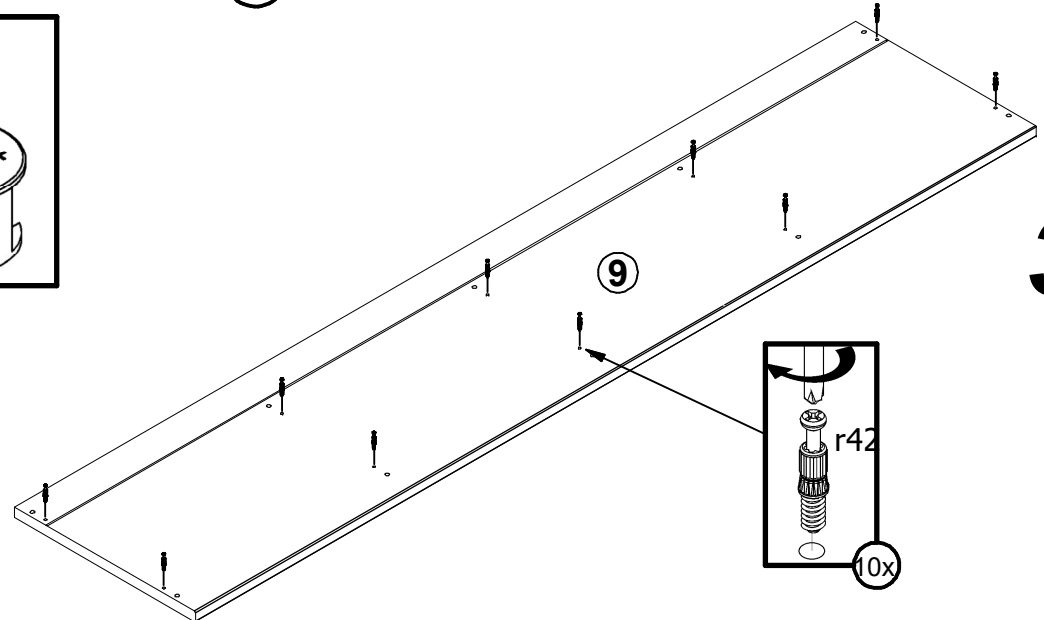
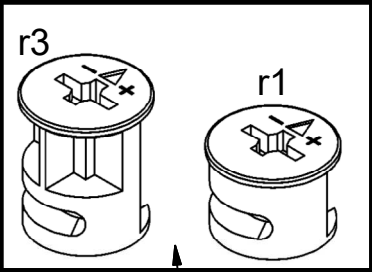
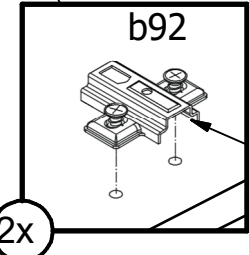
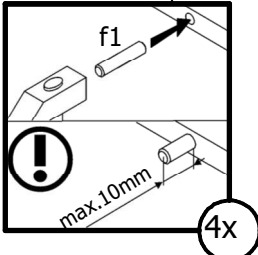
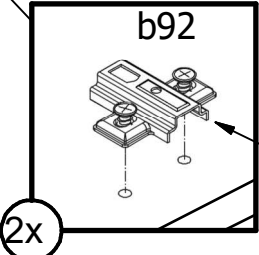
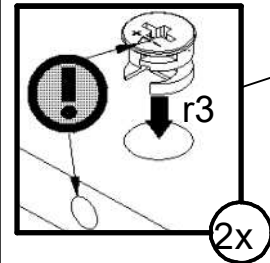
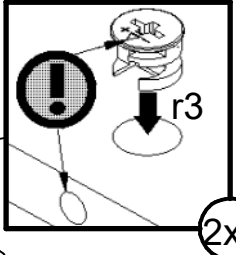
10M6--31

4 / 21

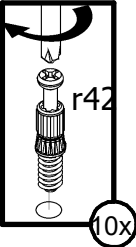
1



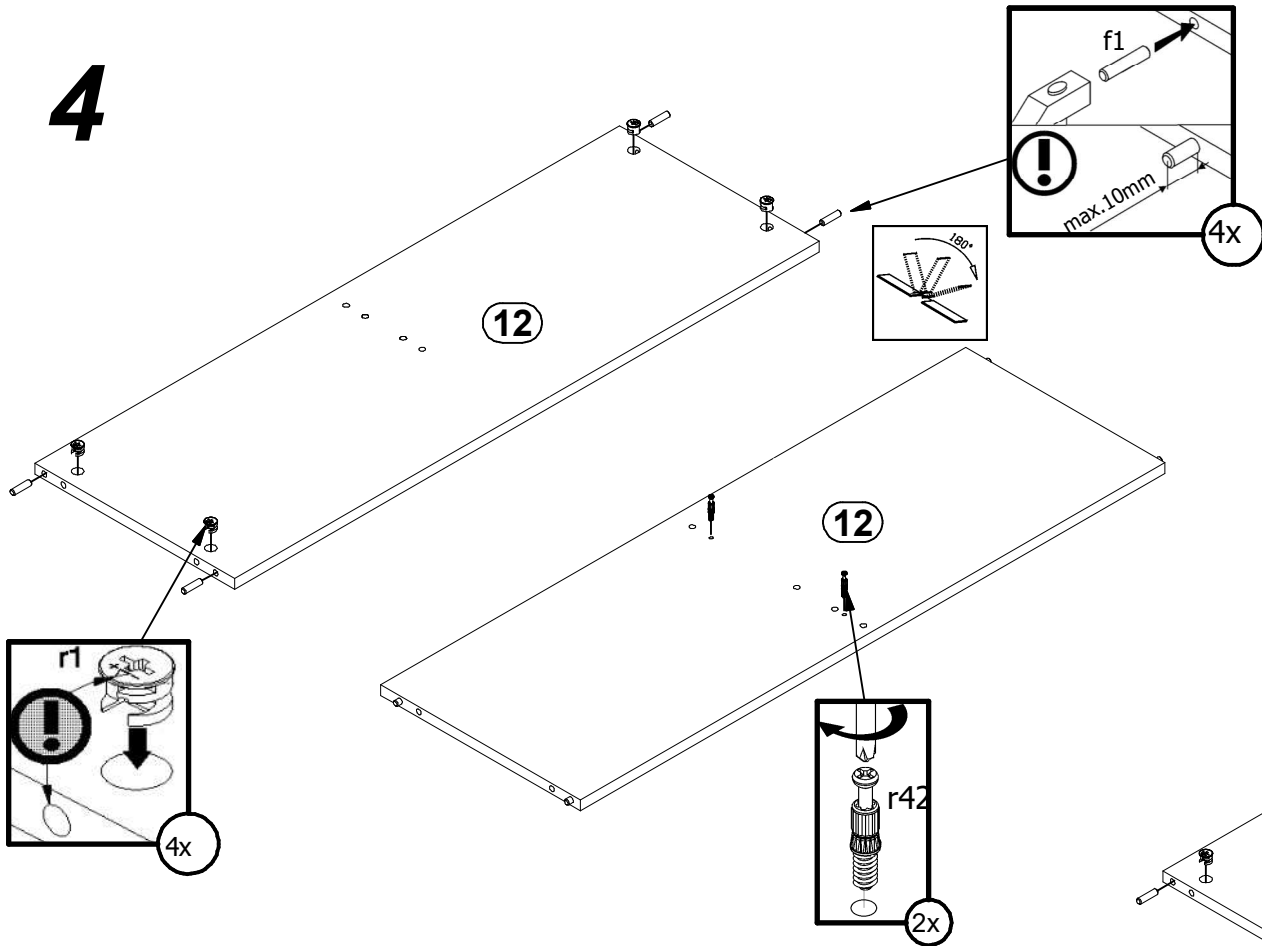
2



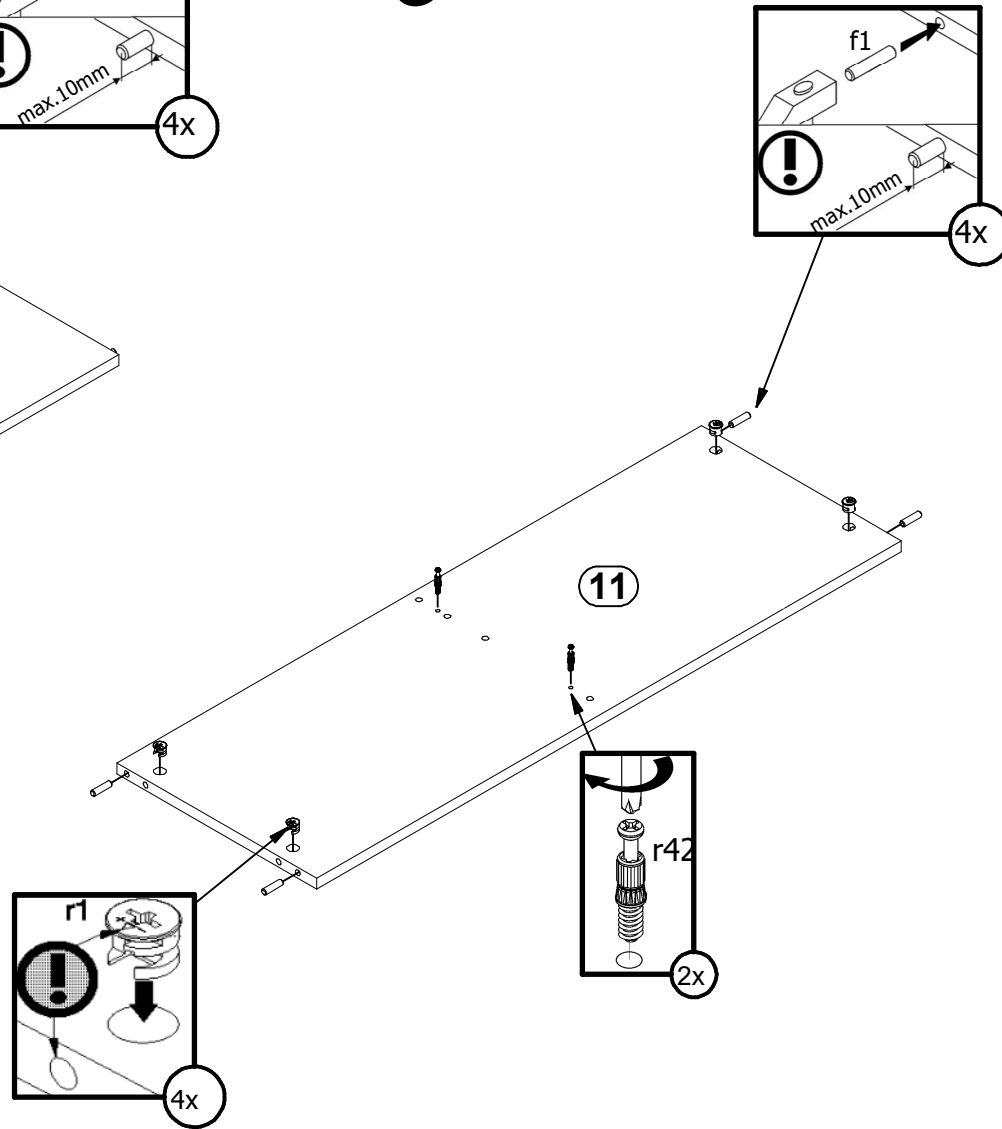
3



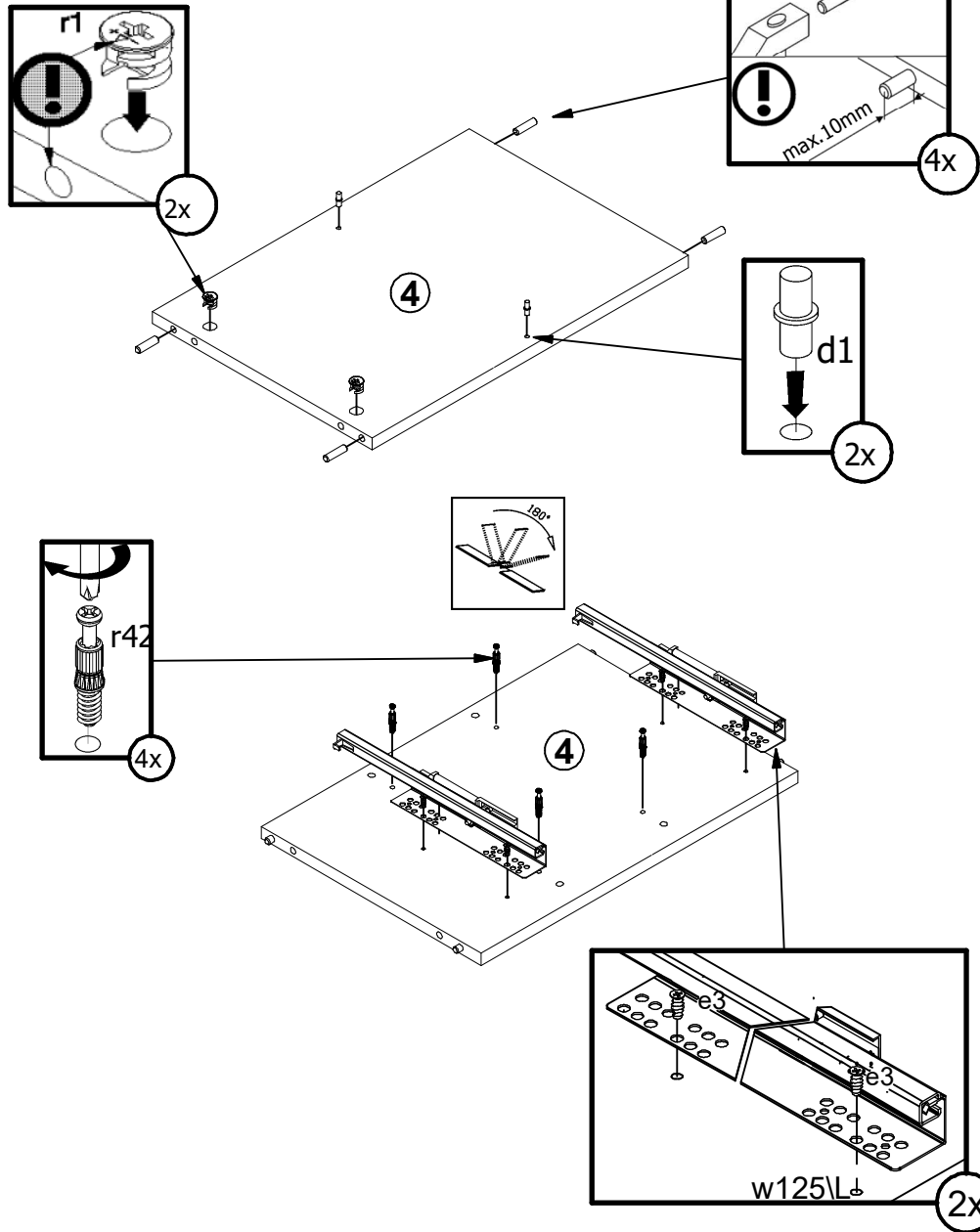
4



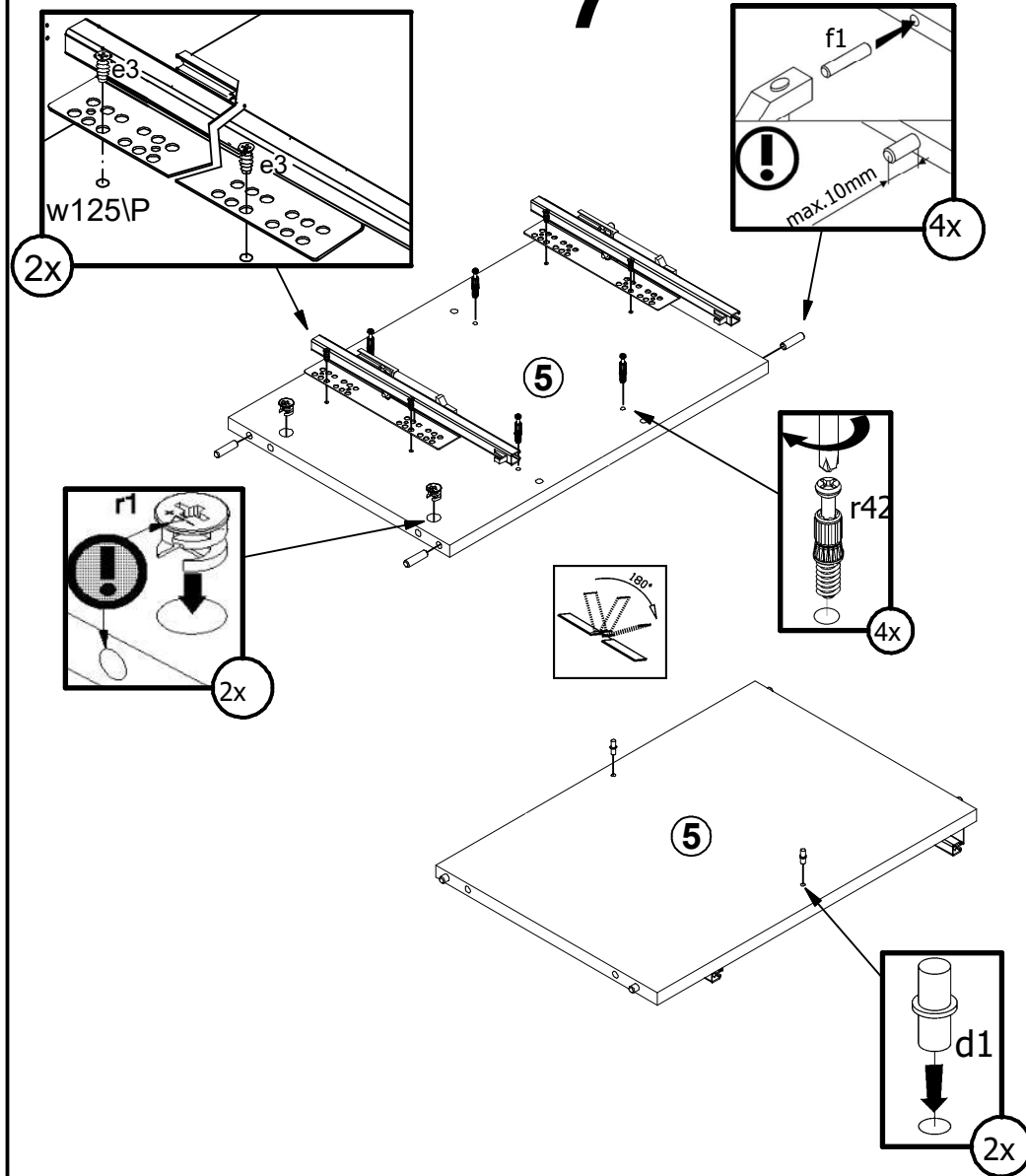
5



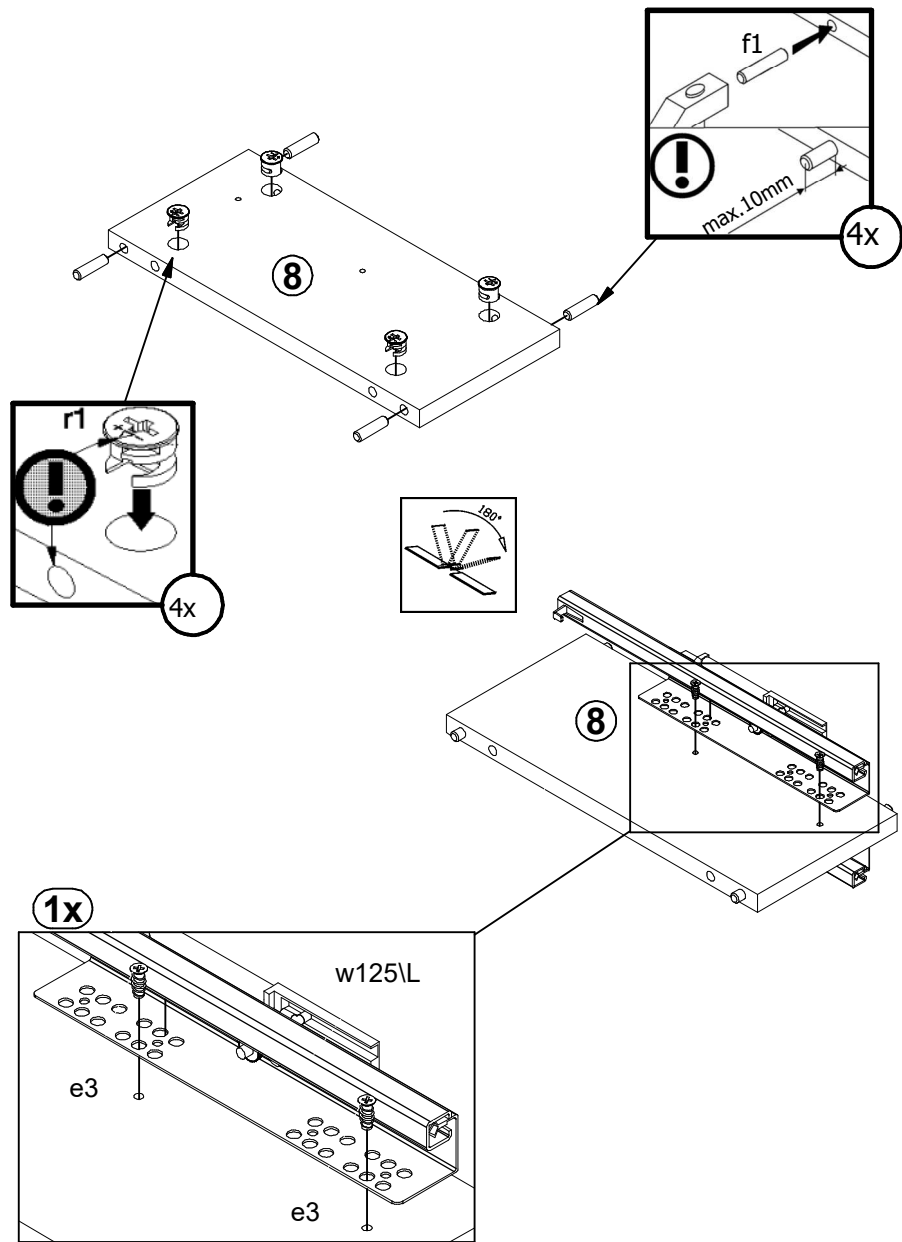
6



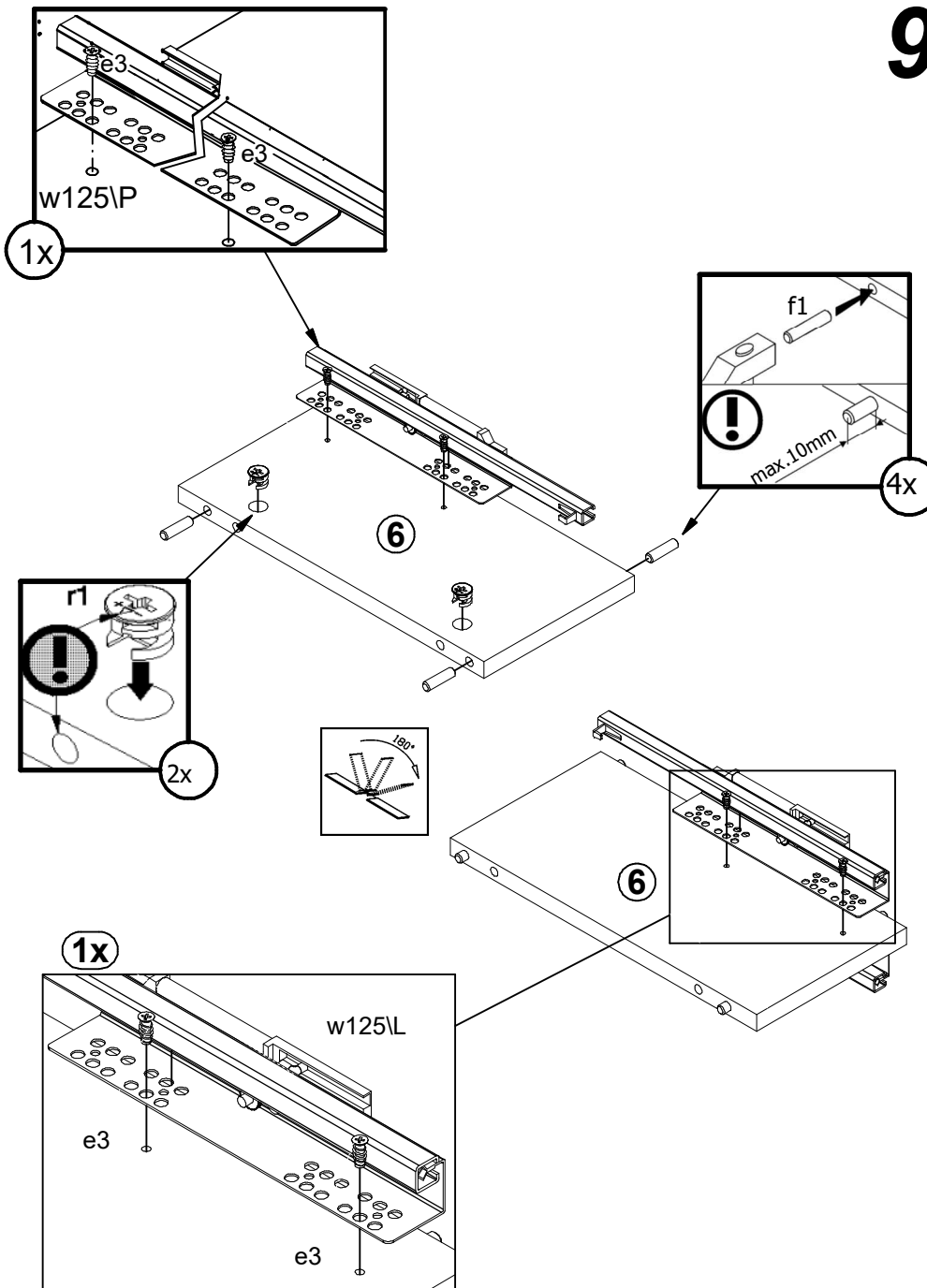
7



8



9

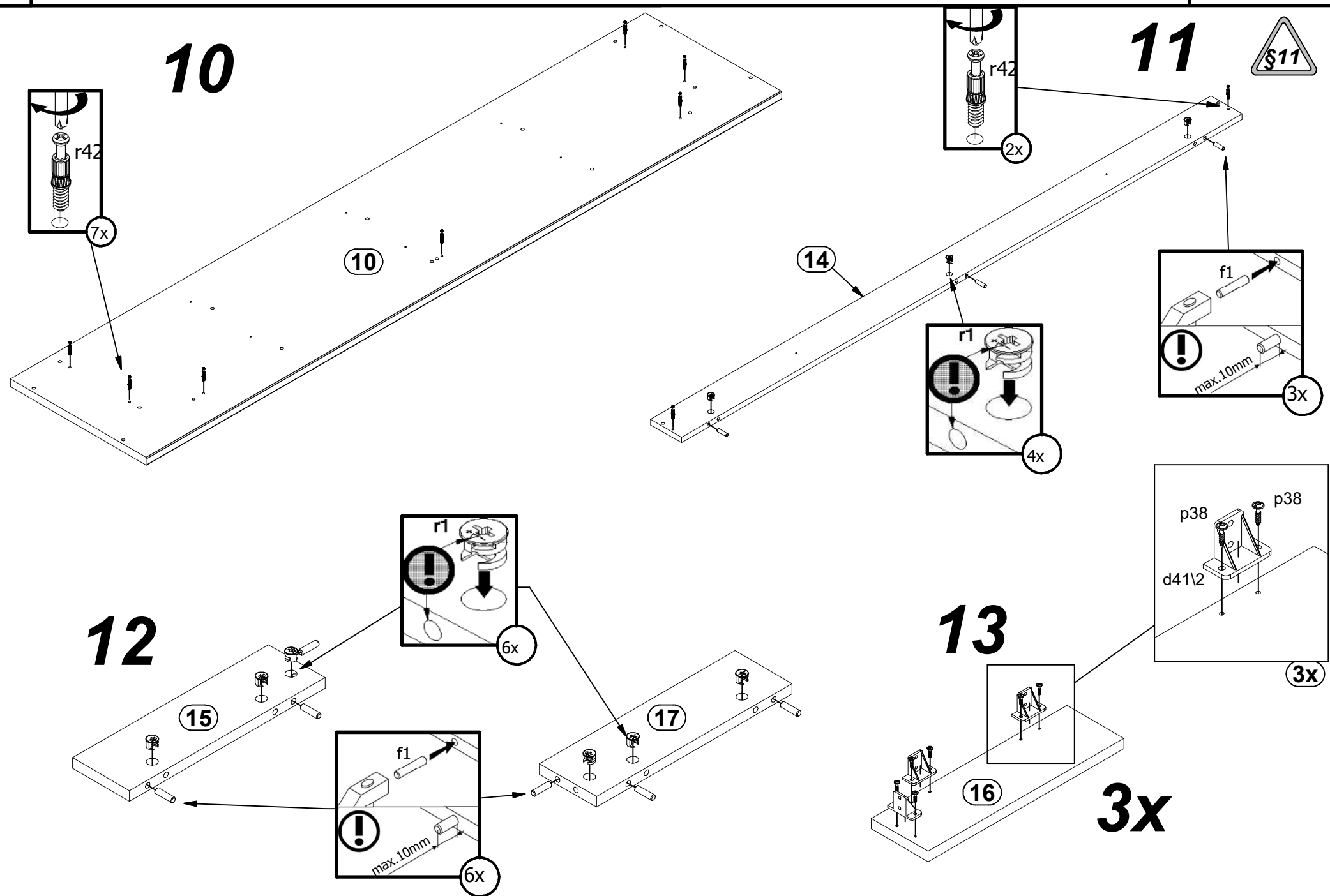


A

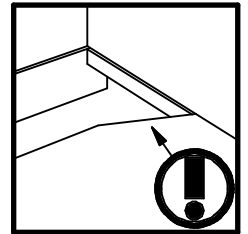
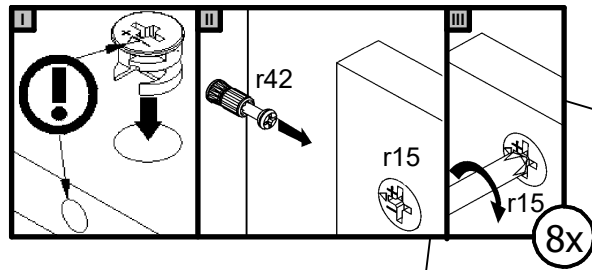
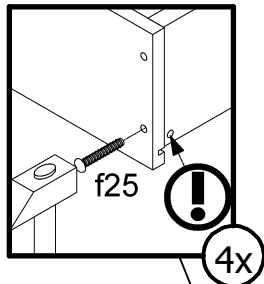
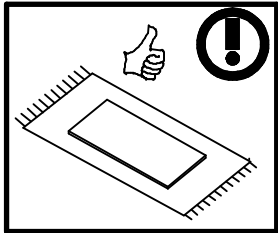
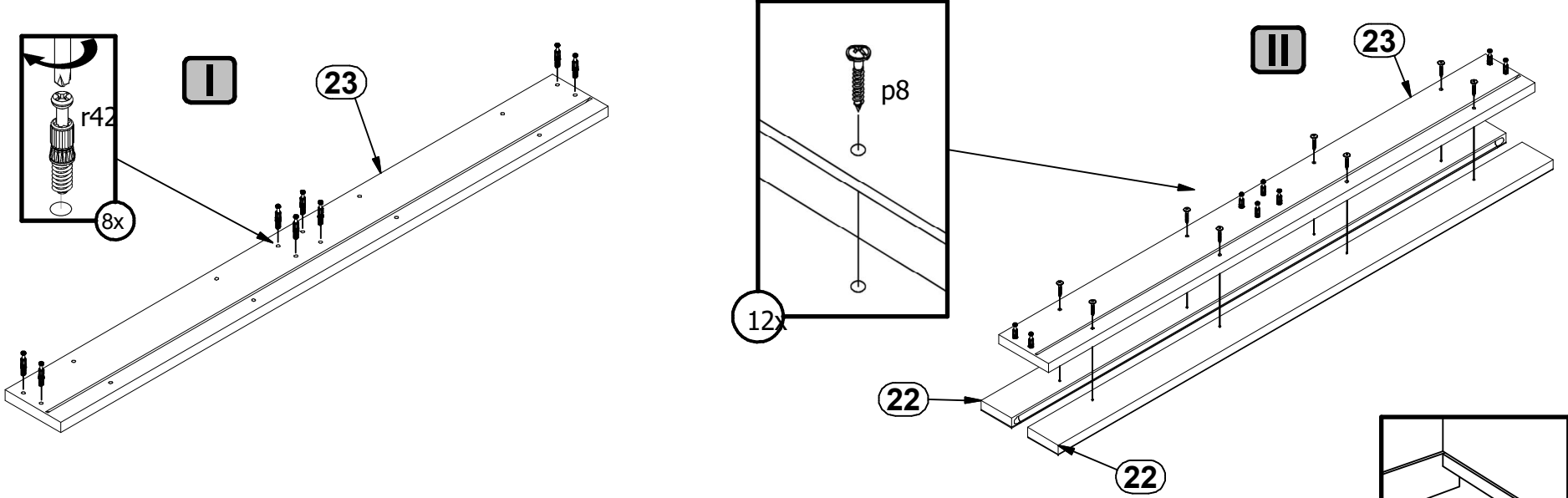
S551-RTV2D2S

10M6--31

8 / 21

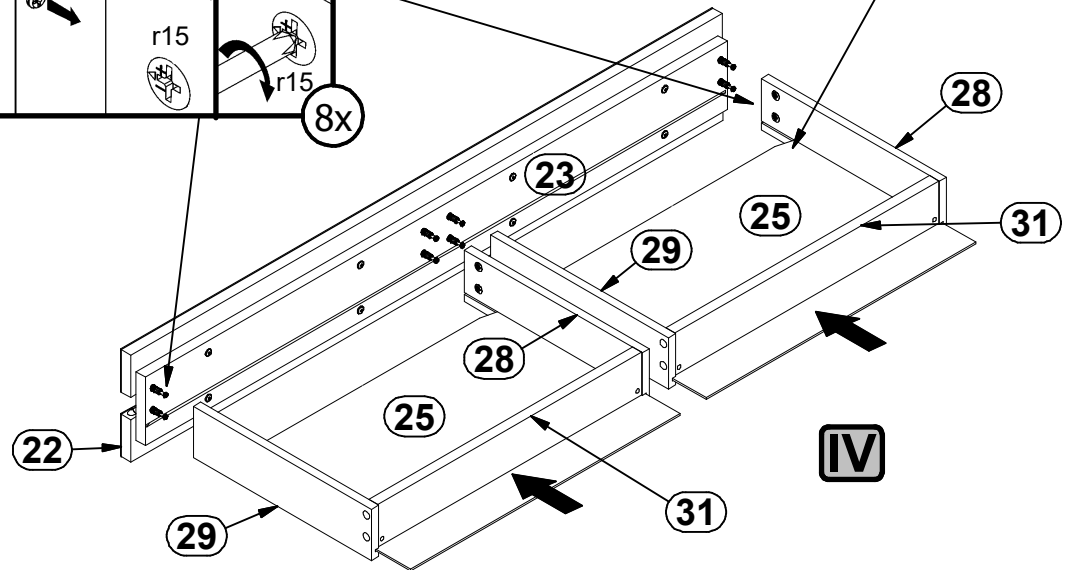
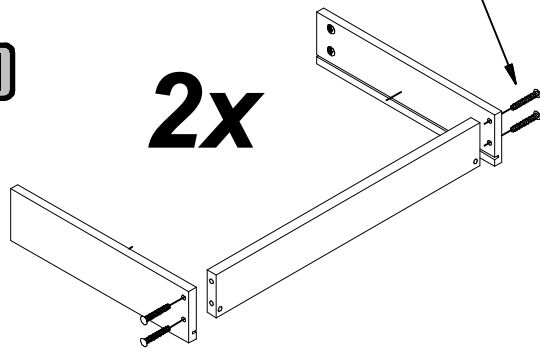


14



III

2x

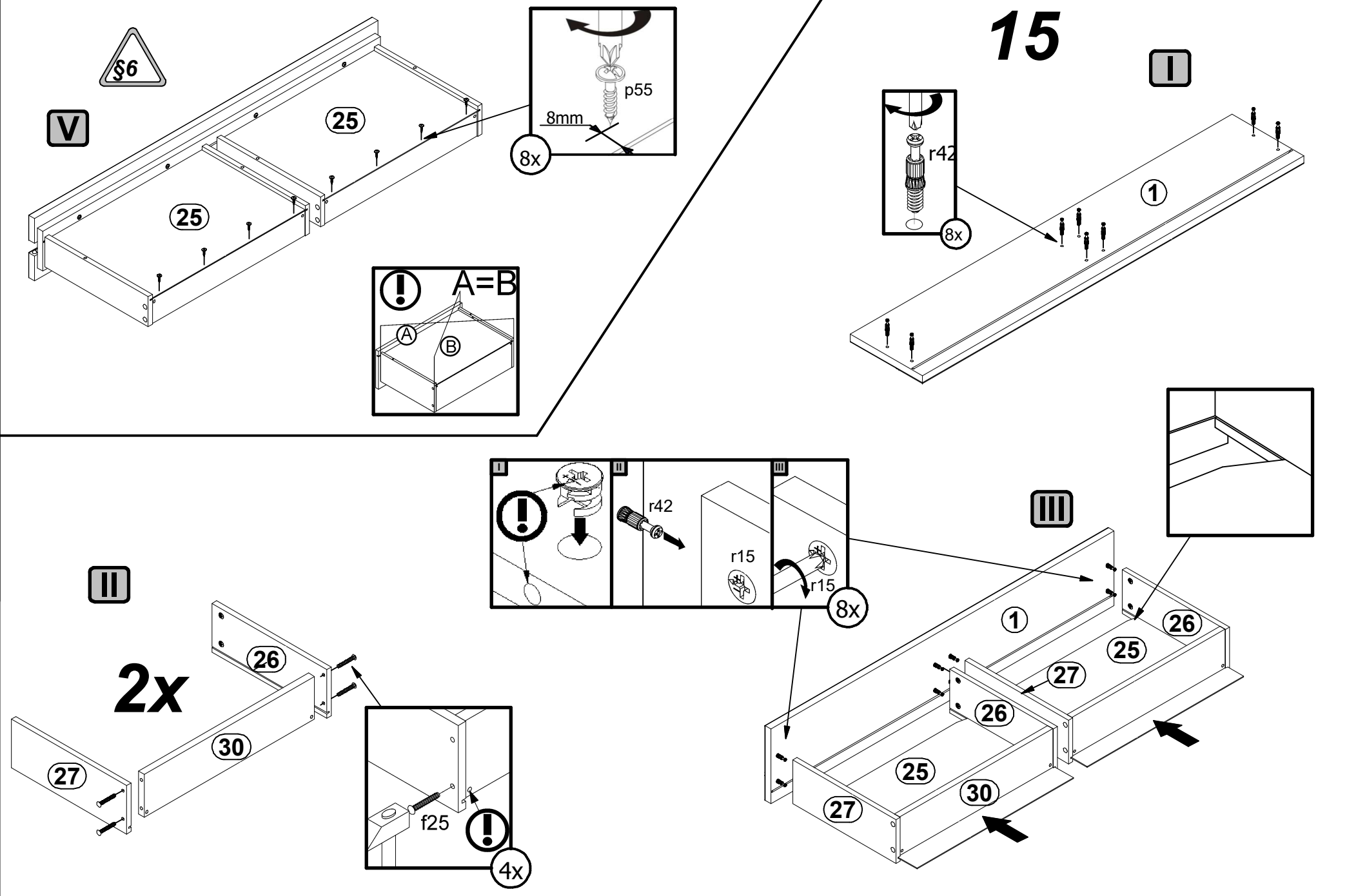


IV

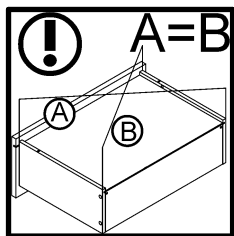
A

S551-RTV2D2S

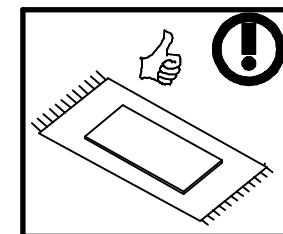
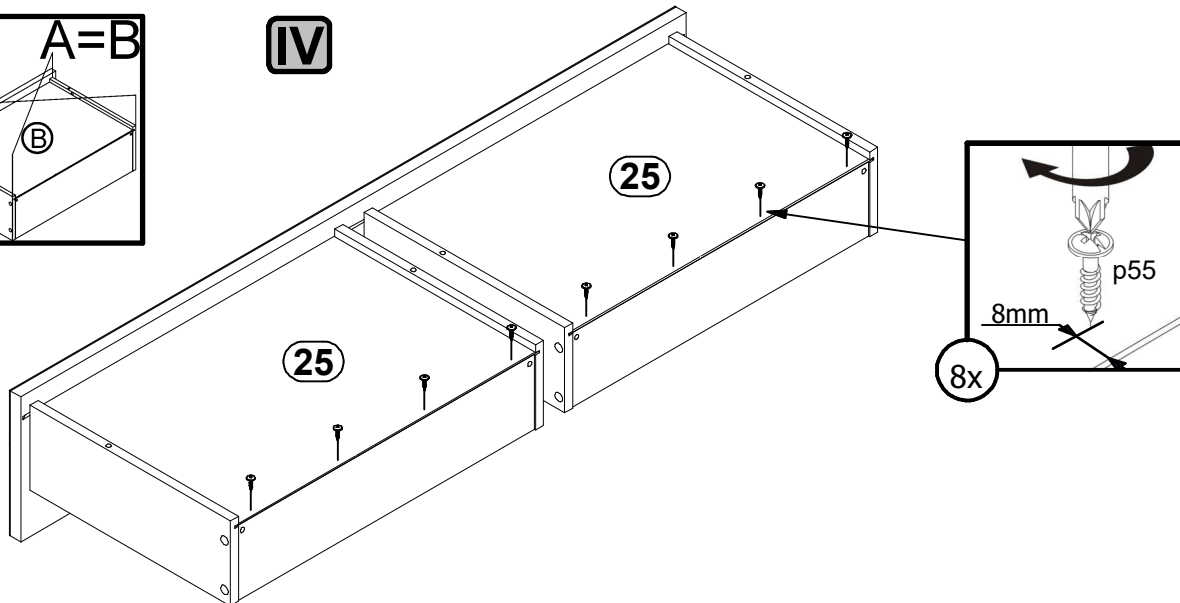
10M6--31



16

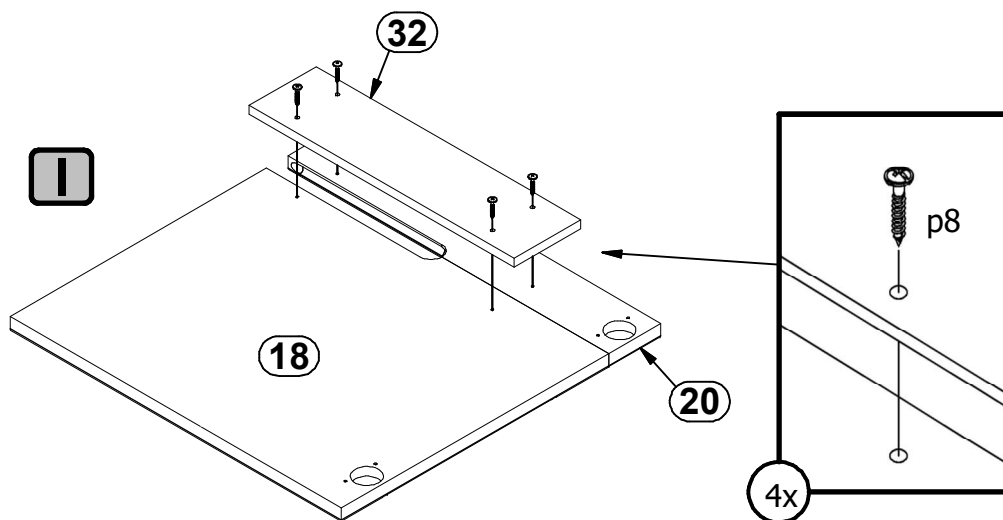


IV

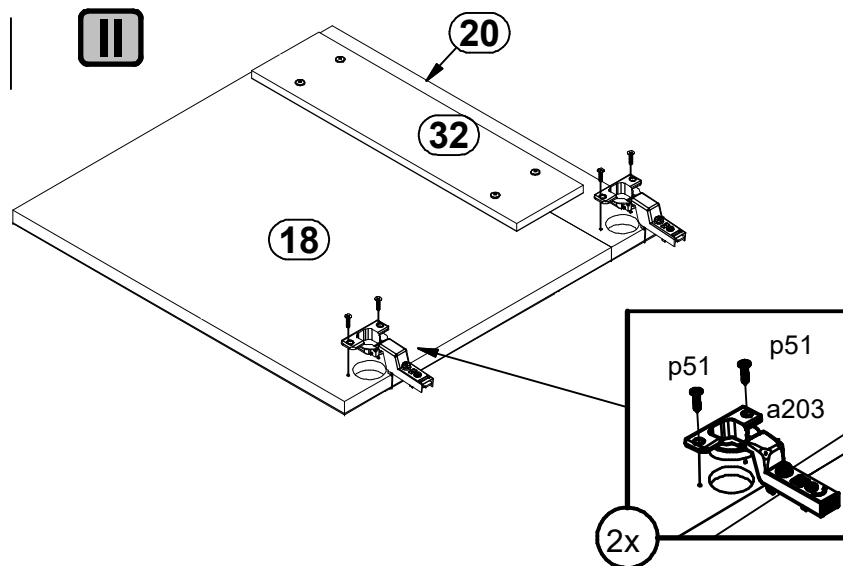


17

I

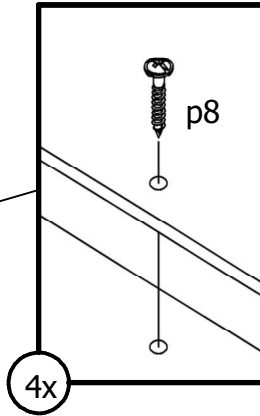
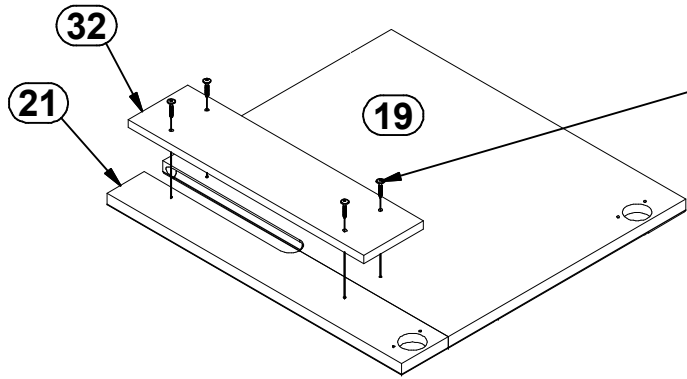


II

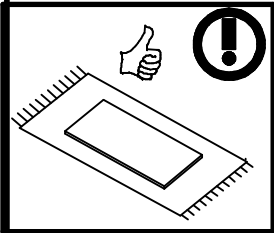
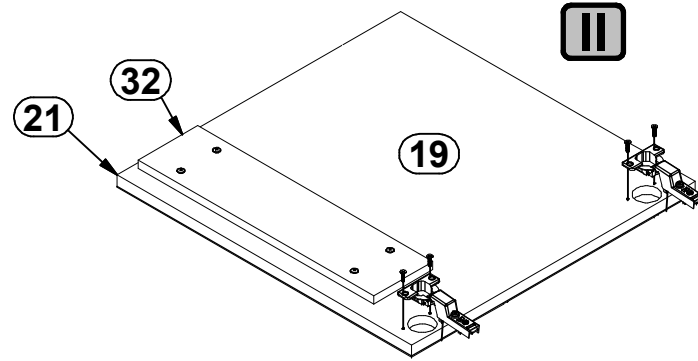


18

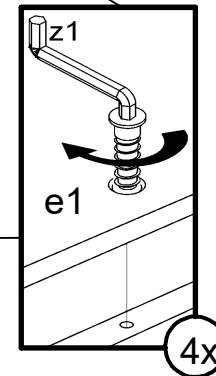
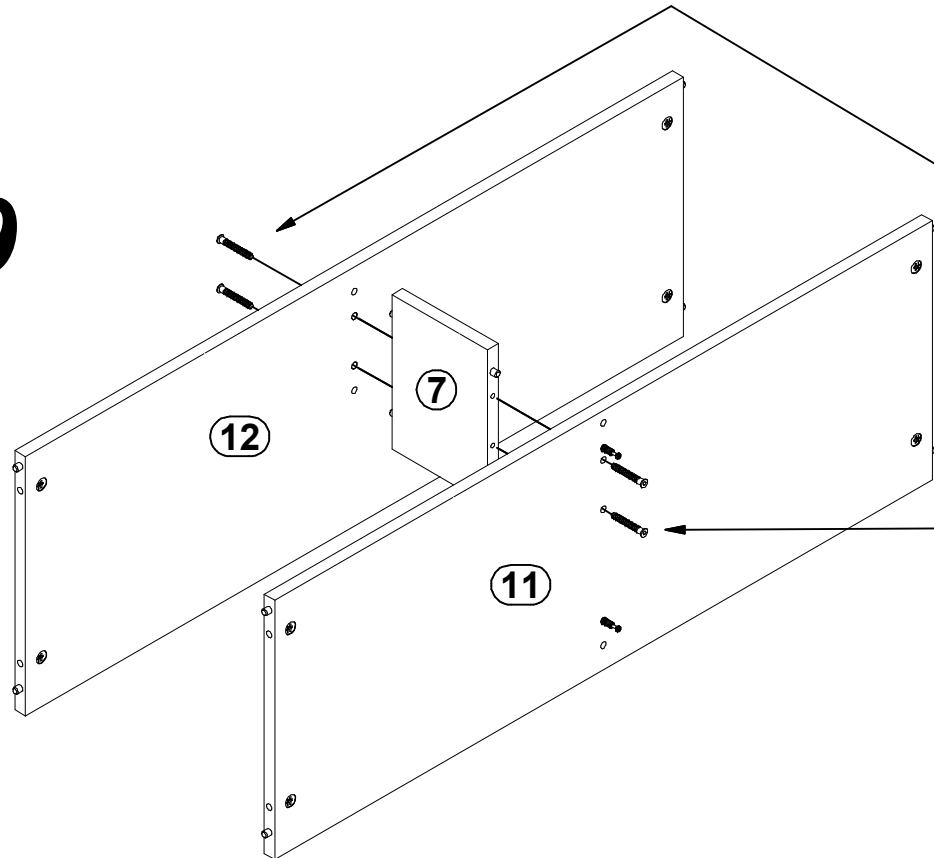
I



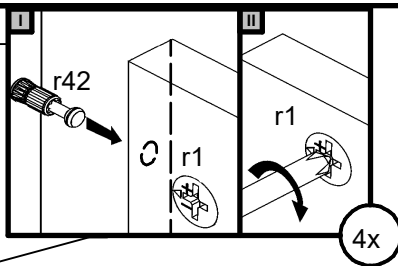
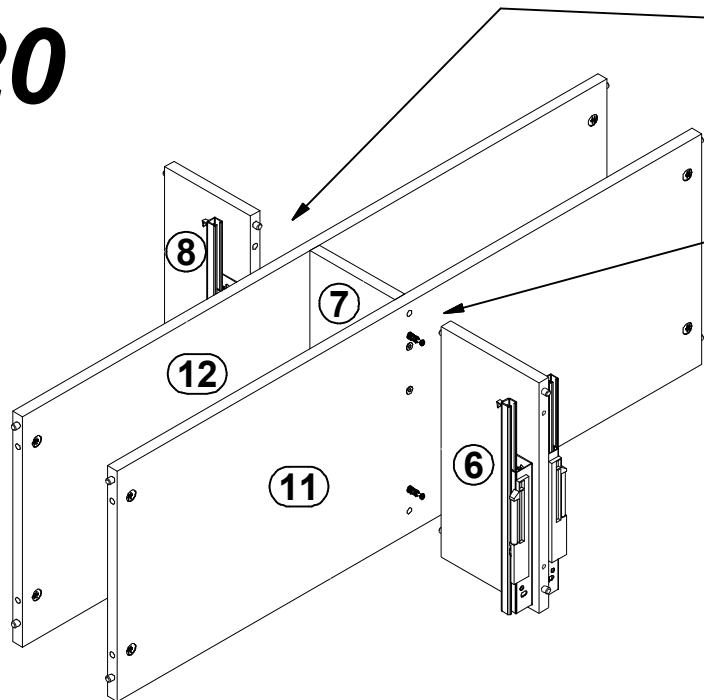
II



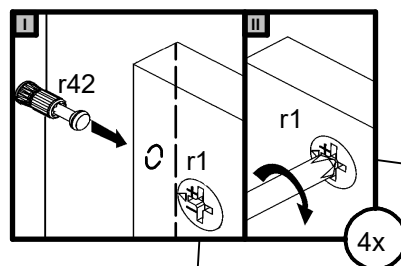
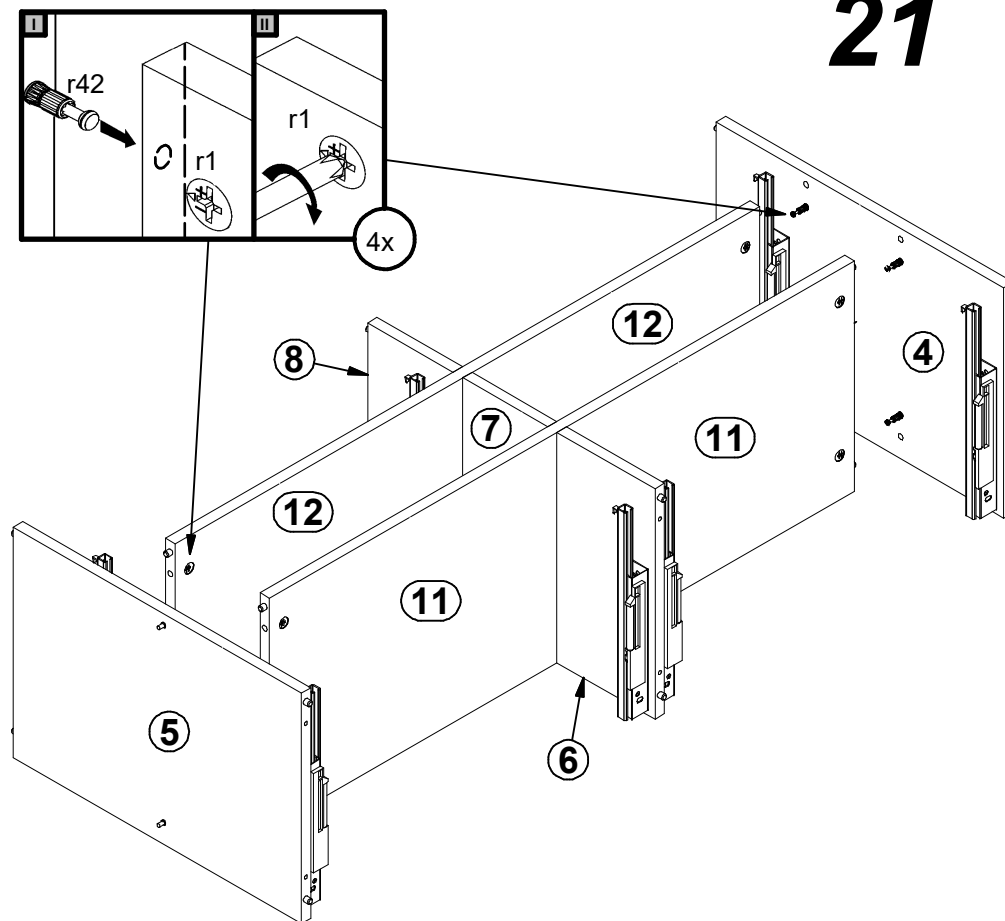
19



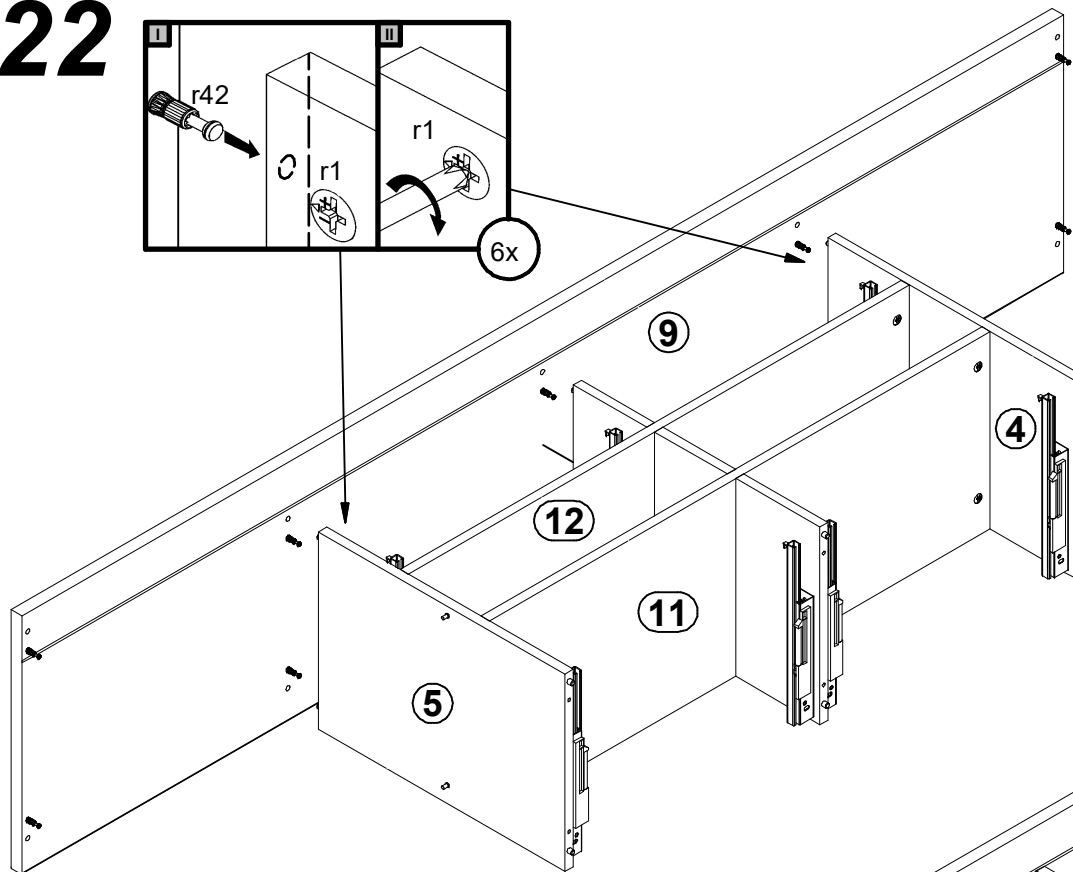
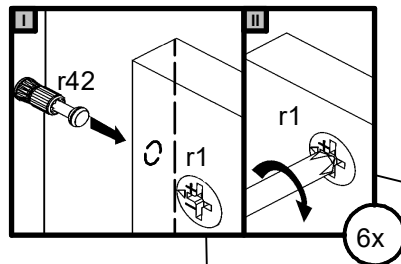
20



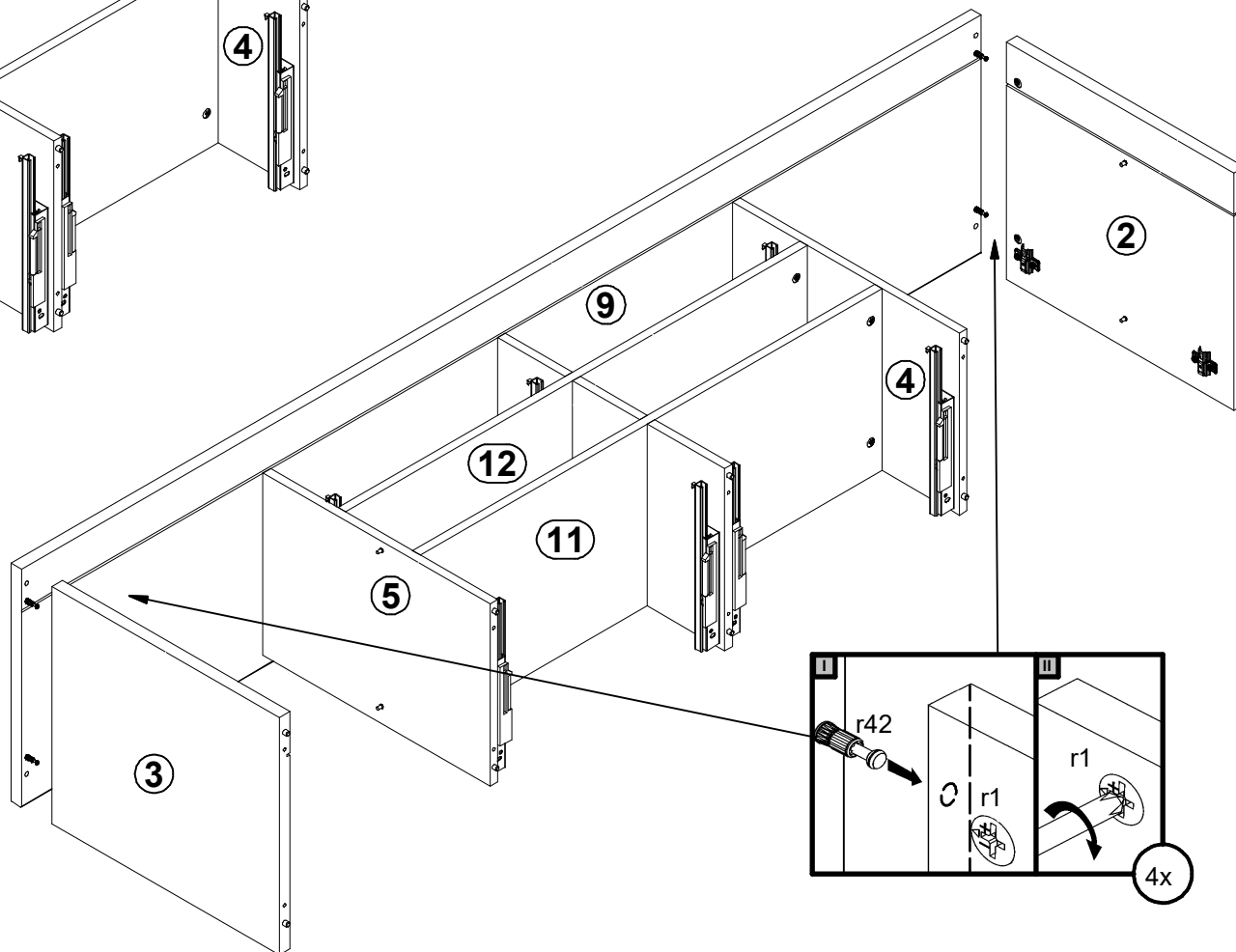
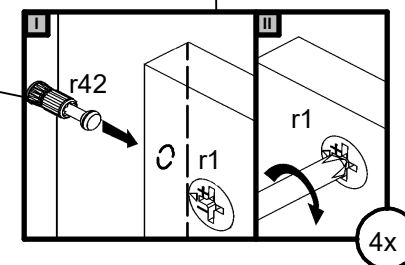
21



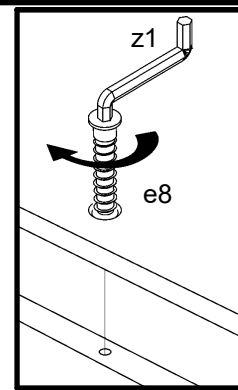
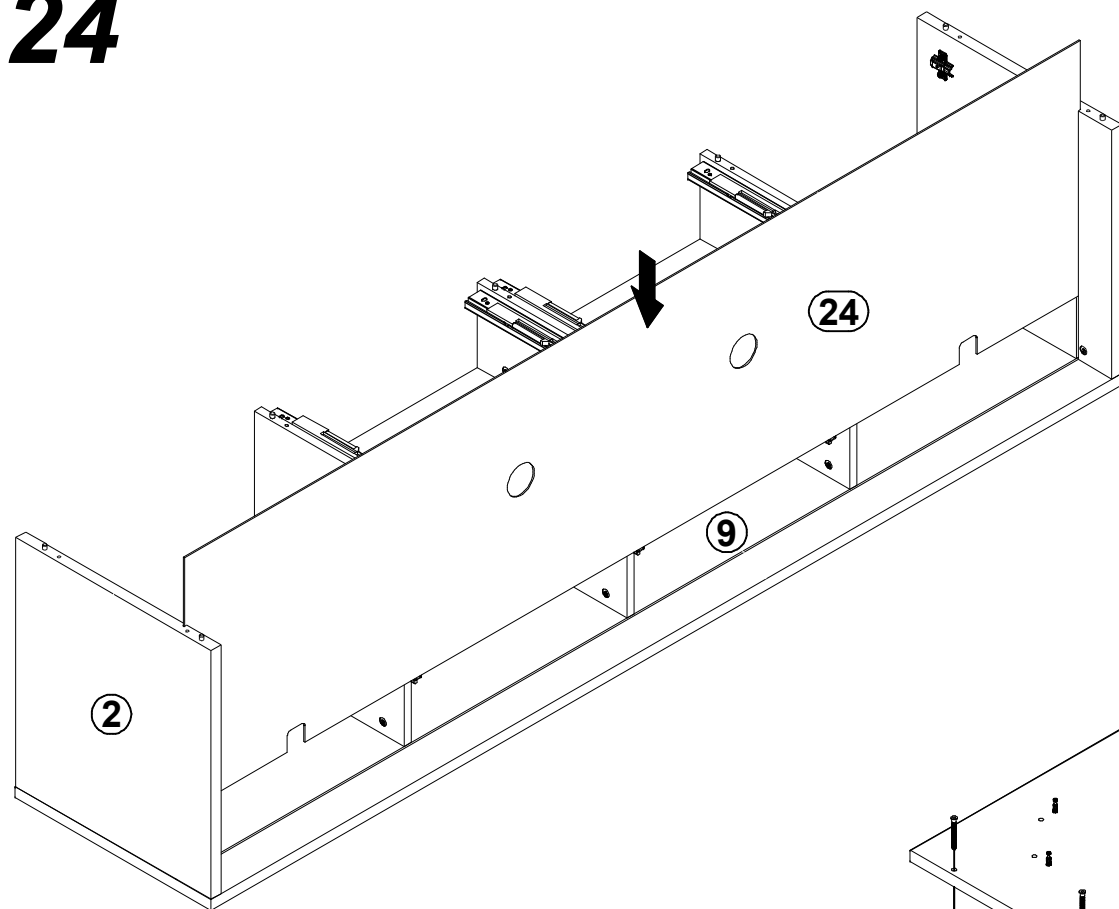
22



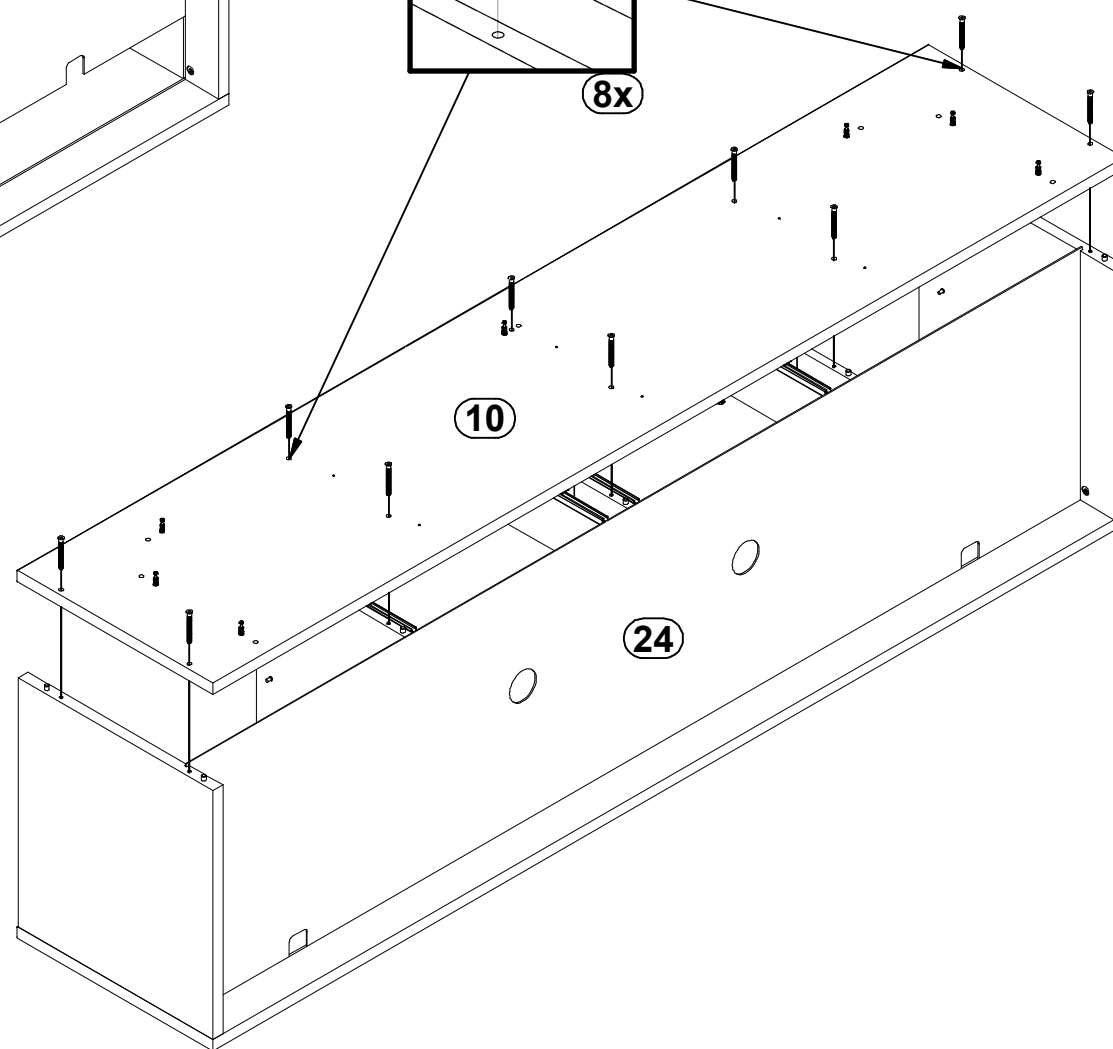
23

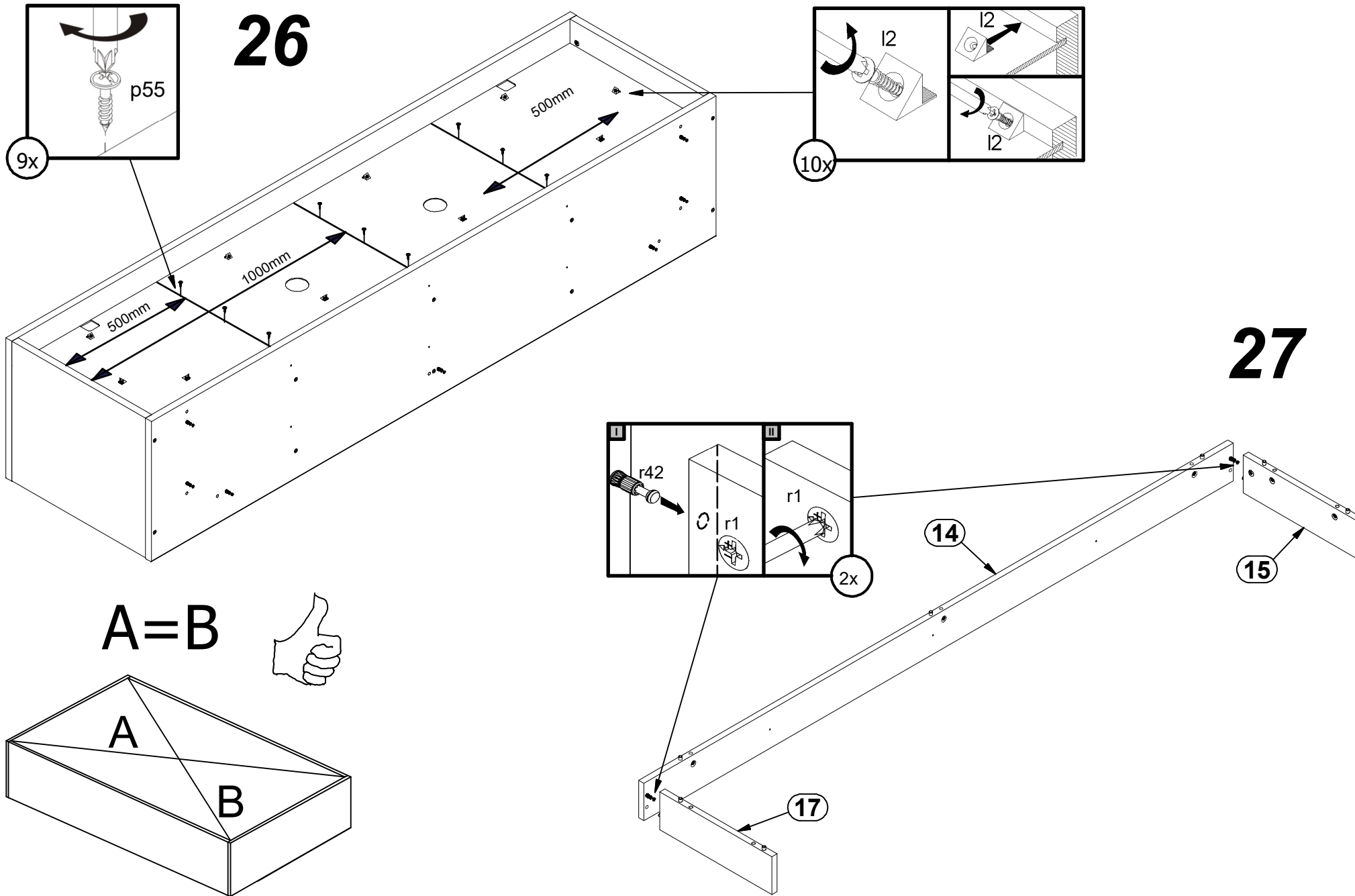


24



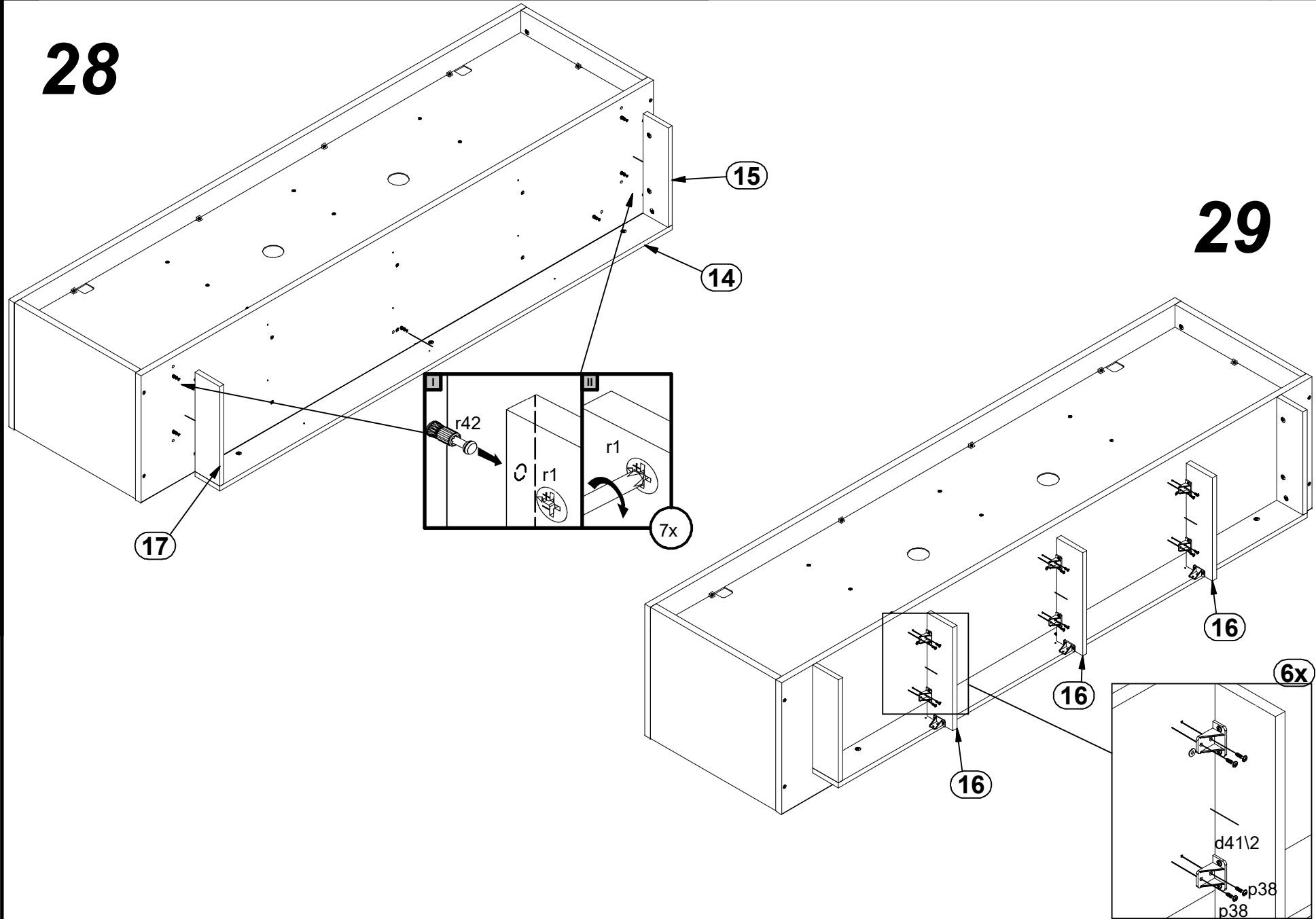
25



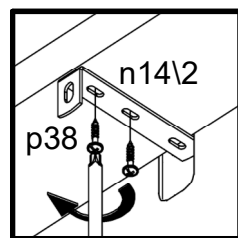
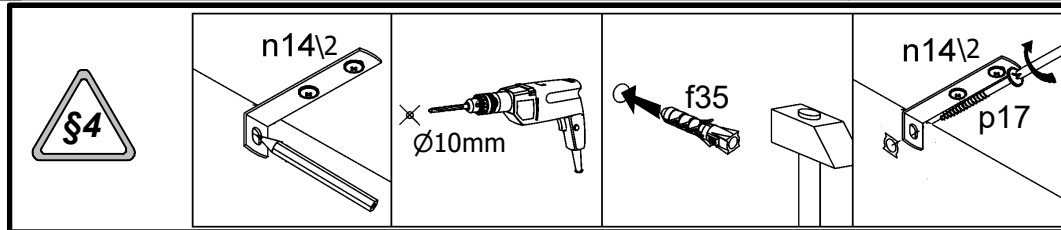
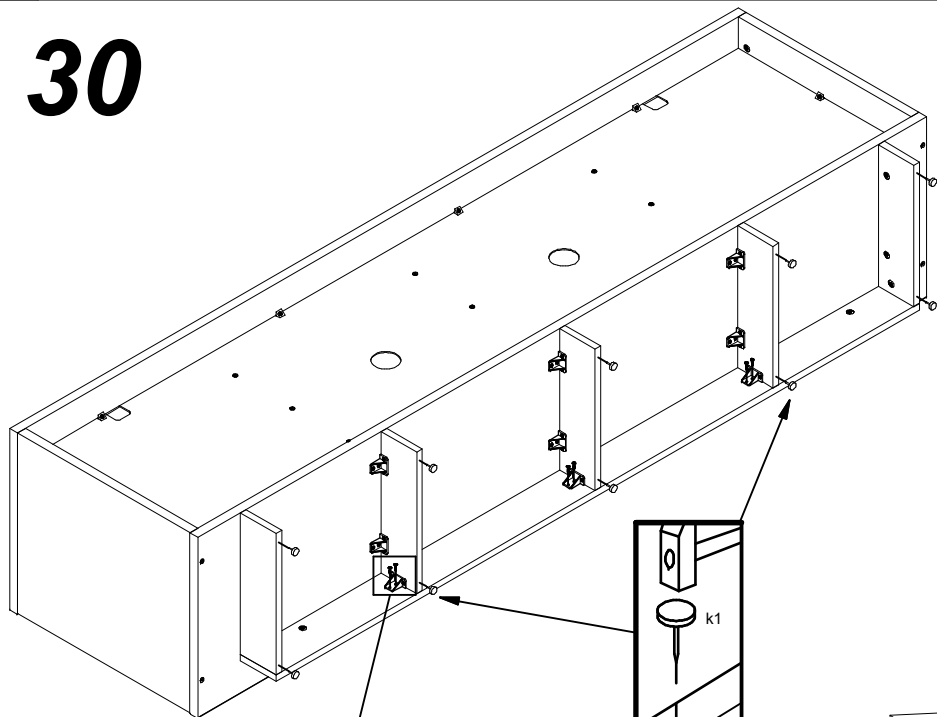


28

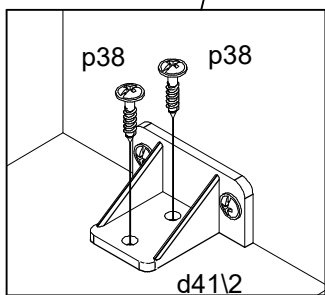
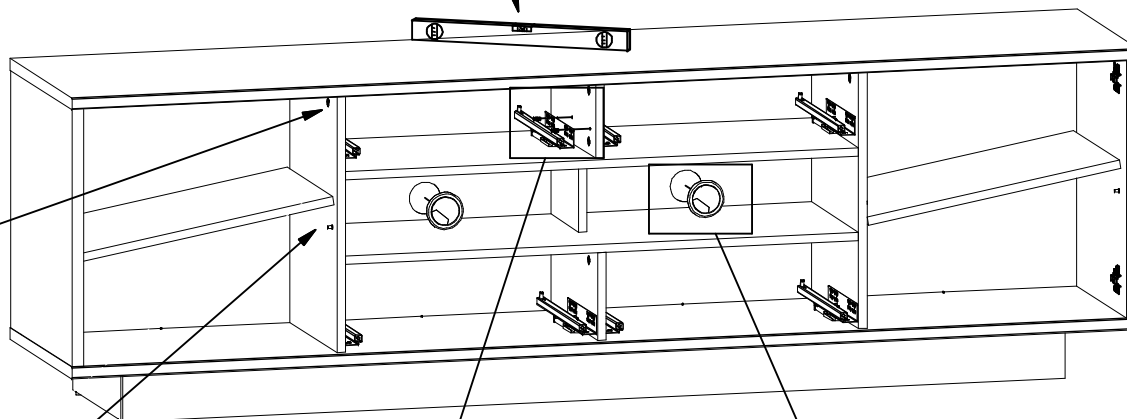
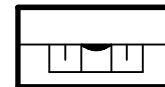
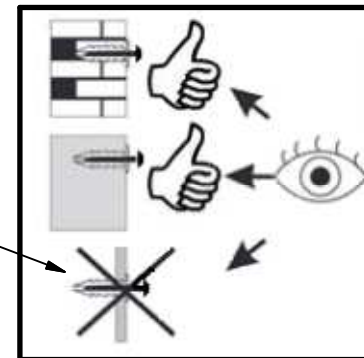
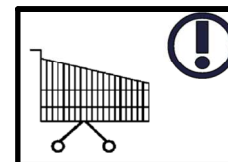
29



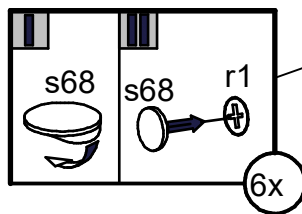
30



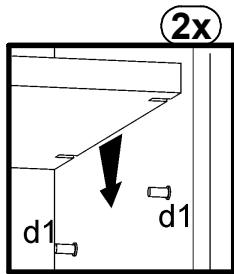
31



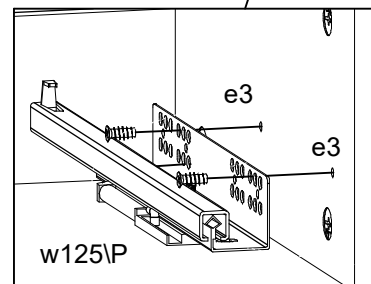
3x



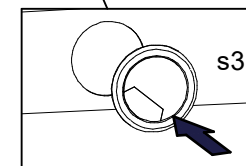
6x



2x

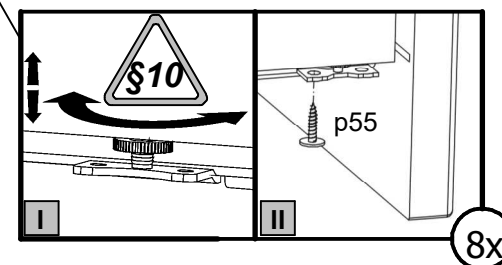
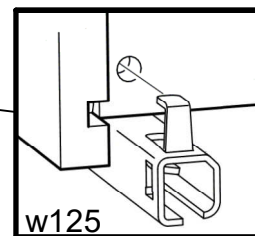
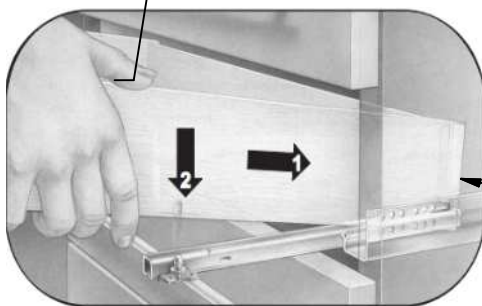
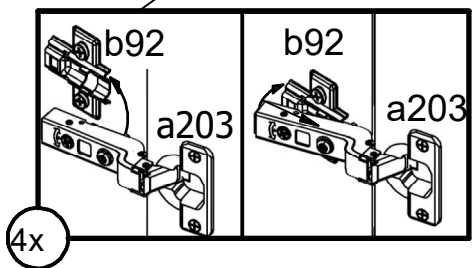
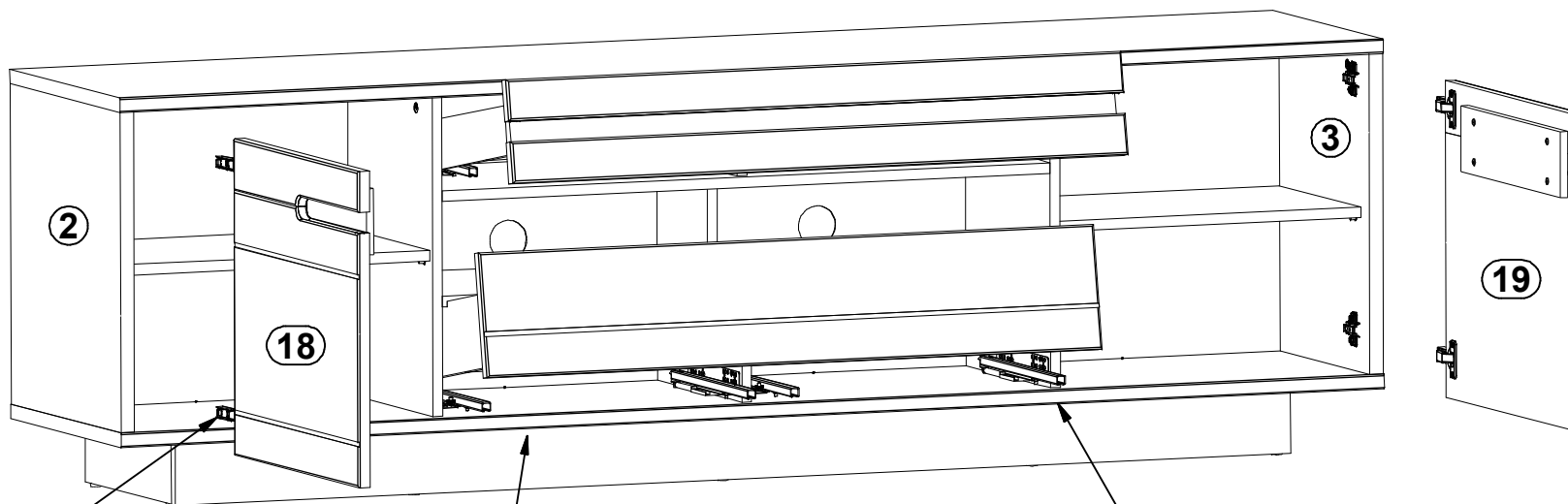


1x



2x

32



33

