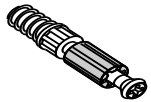
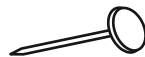
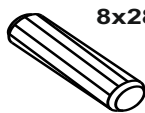
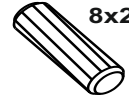


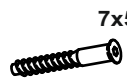
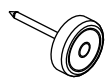

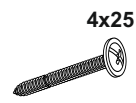
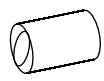





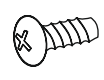


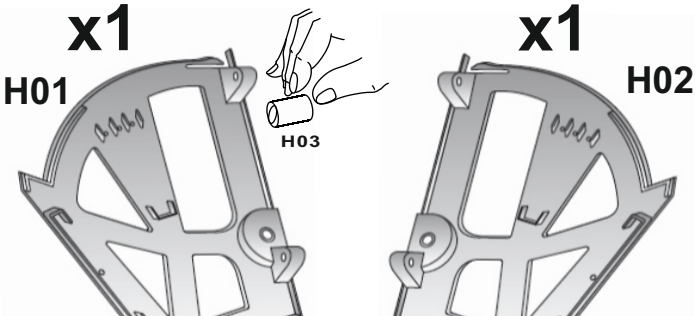


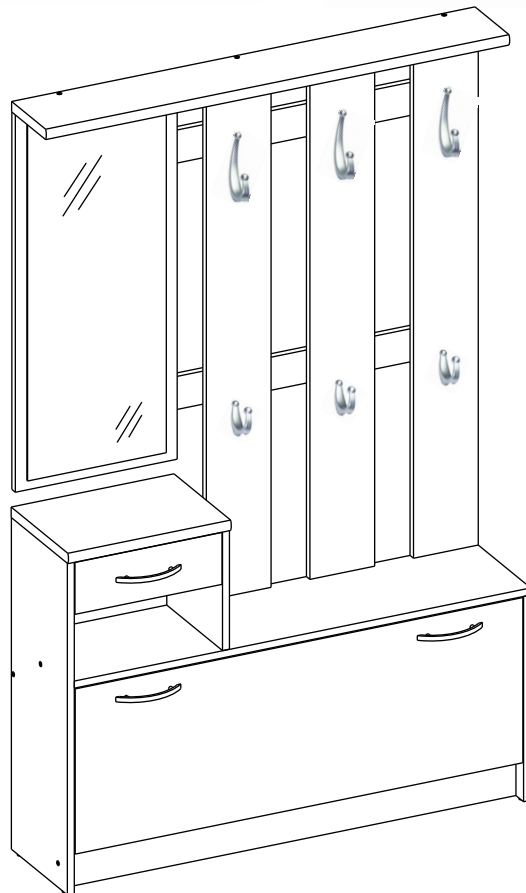
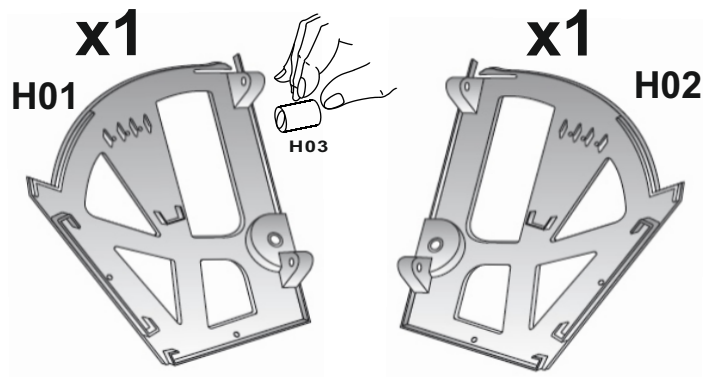
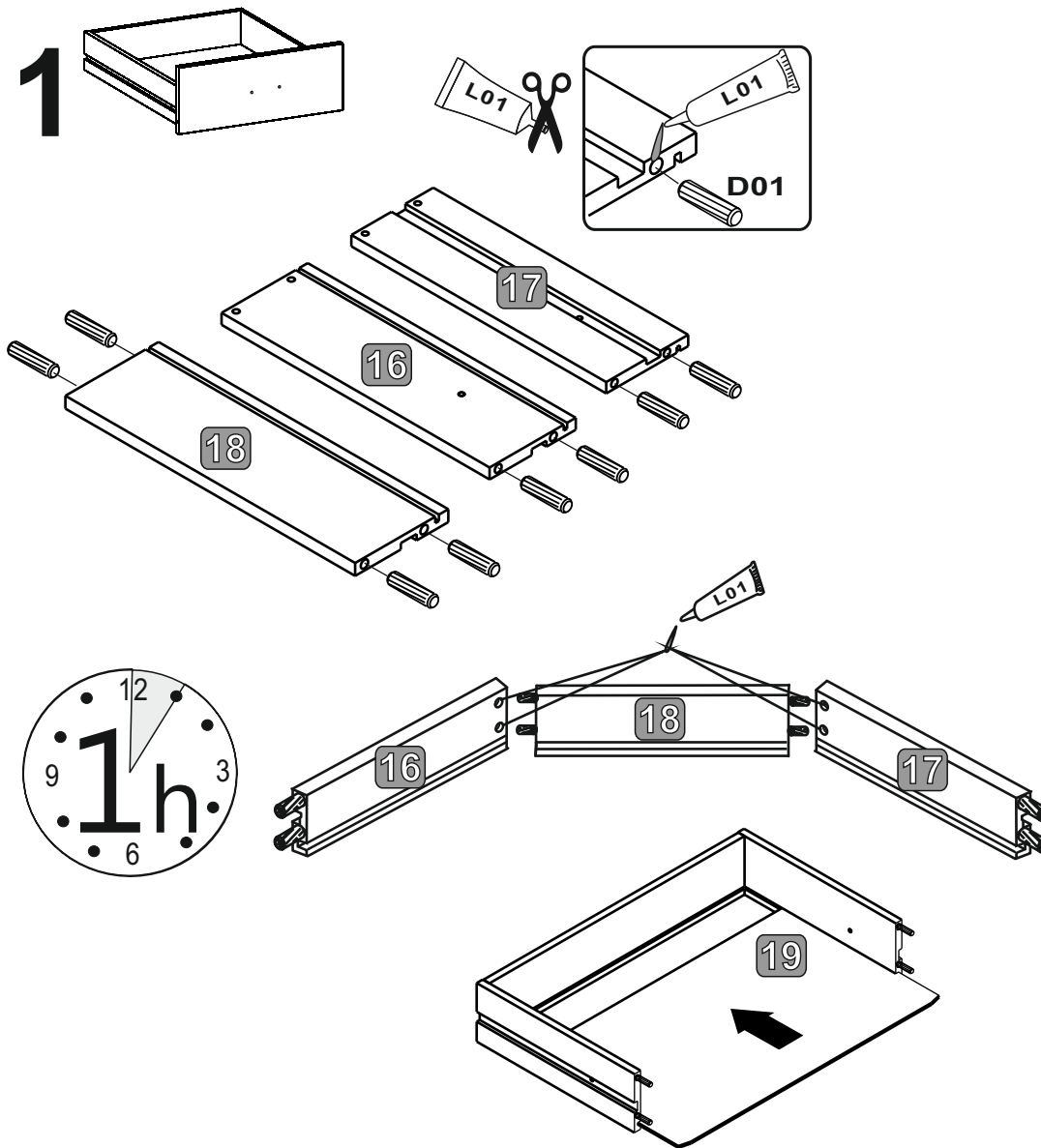
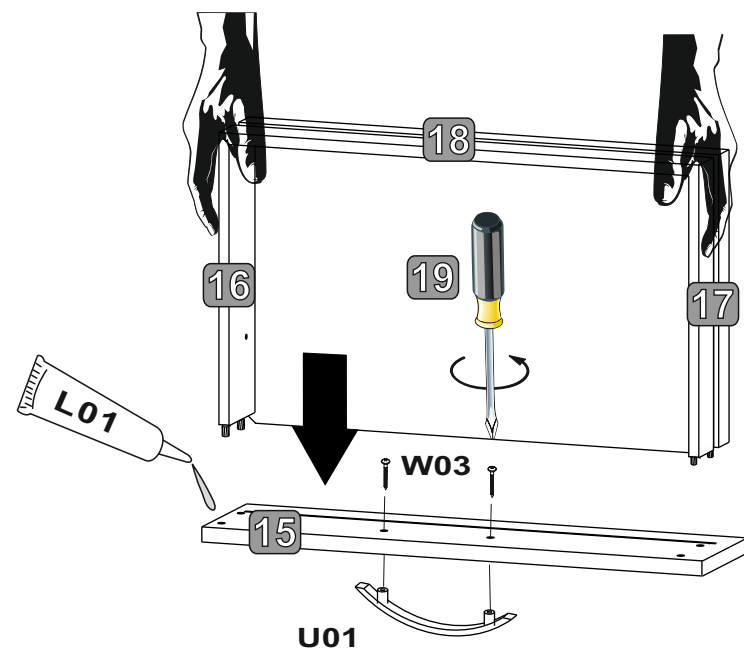
 3X T02	 3X T01	 12X G01	 8x28 20X D01	 8x22 16X D02	 1X L01
 1X K01	 7x50 10X W06	 4X S01	 3X U01	 4x25 24X W03	 4X H03
 2X P03	 6,3x8 4X W07	 4x10 2X X02	 3 X Z01	 3 X Z02	 8X W02
 4X C01	 3x13 6X W01				
 4x25 8X W04	 2X Z03				



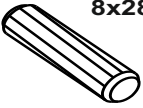
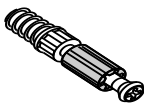
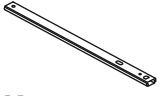

# 1

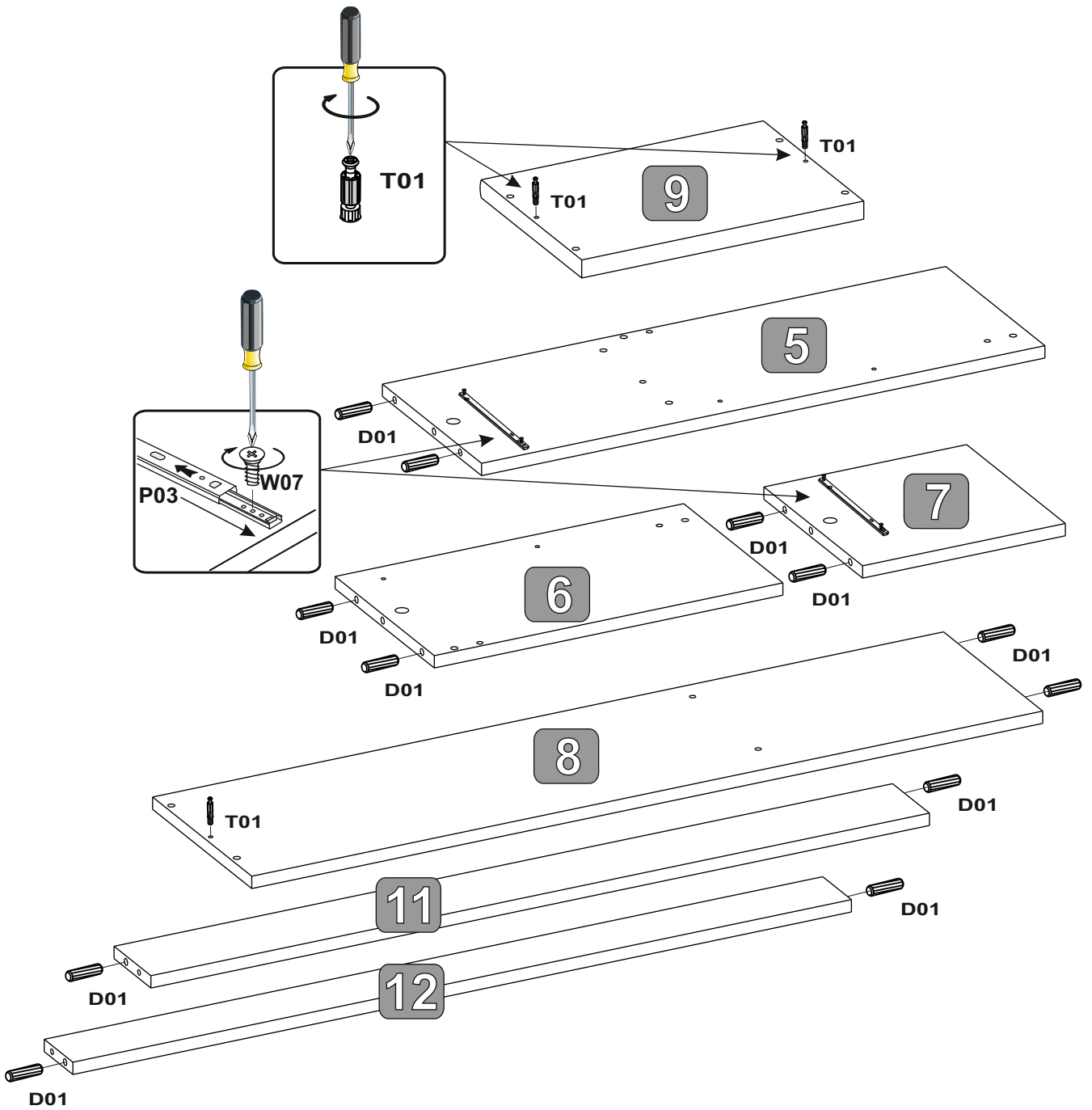


- 8x28  
8x D01
- 1x U01
- 4x25  
2x W03
- 1x L01

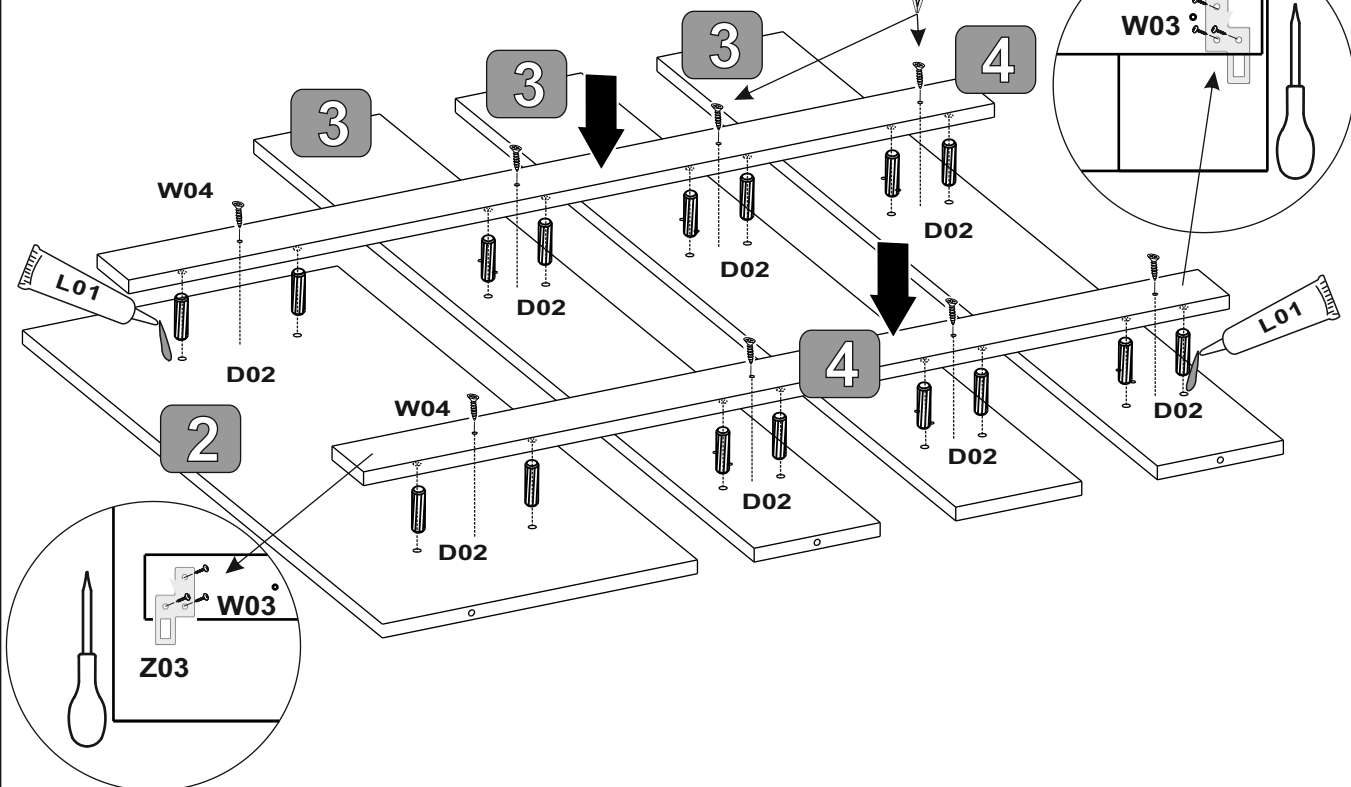
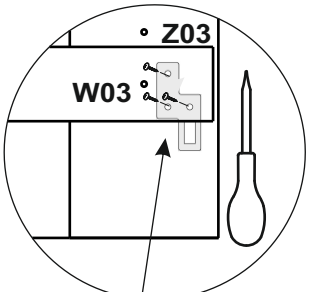
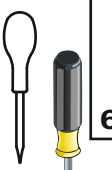
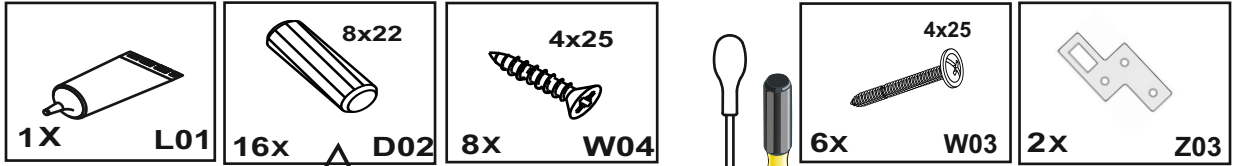


# 2

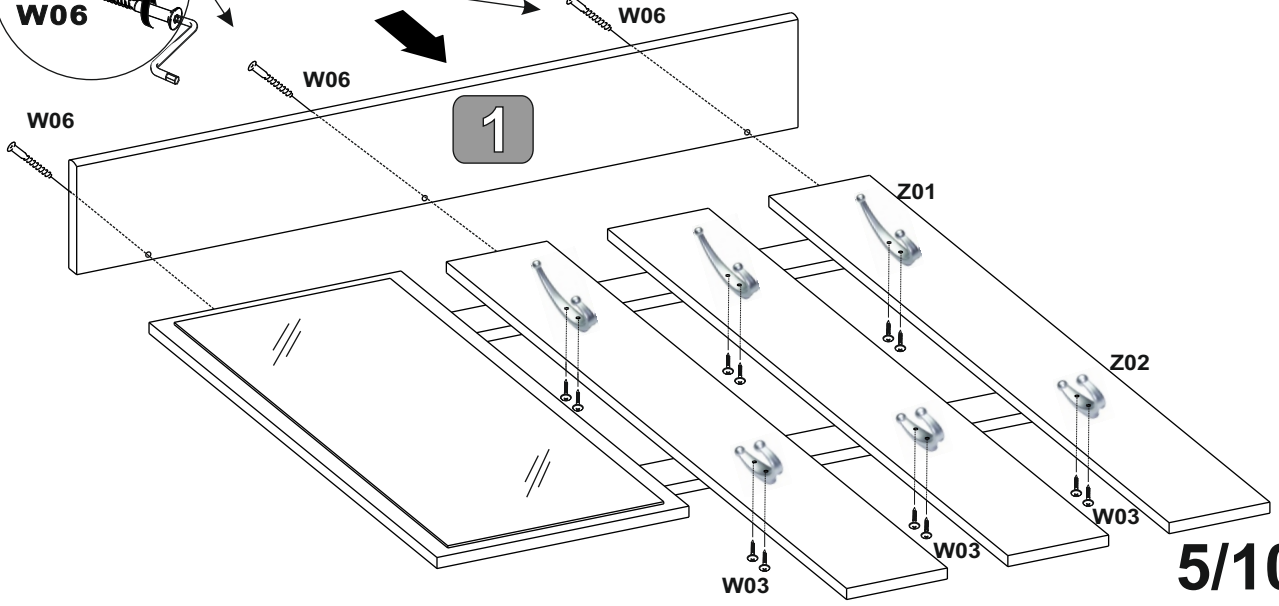
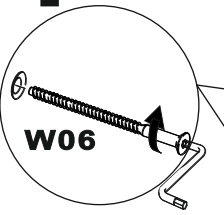
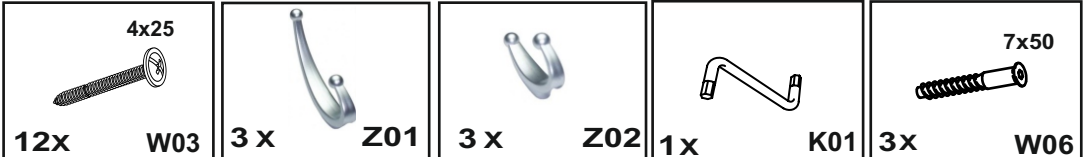
 8x28 12x D01	 3x T01	 2x P03	 6,3x8 4x W07
--	---	---	--



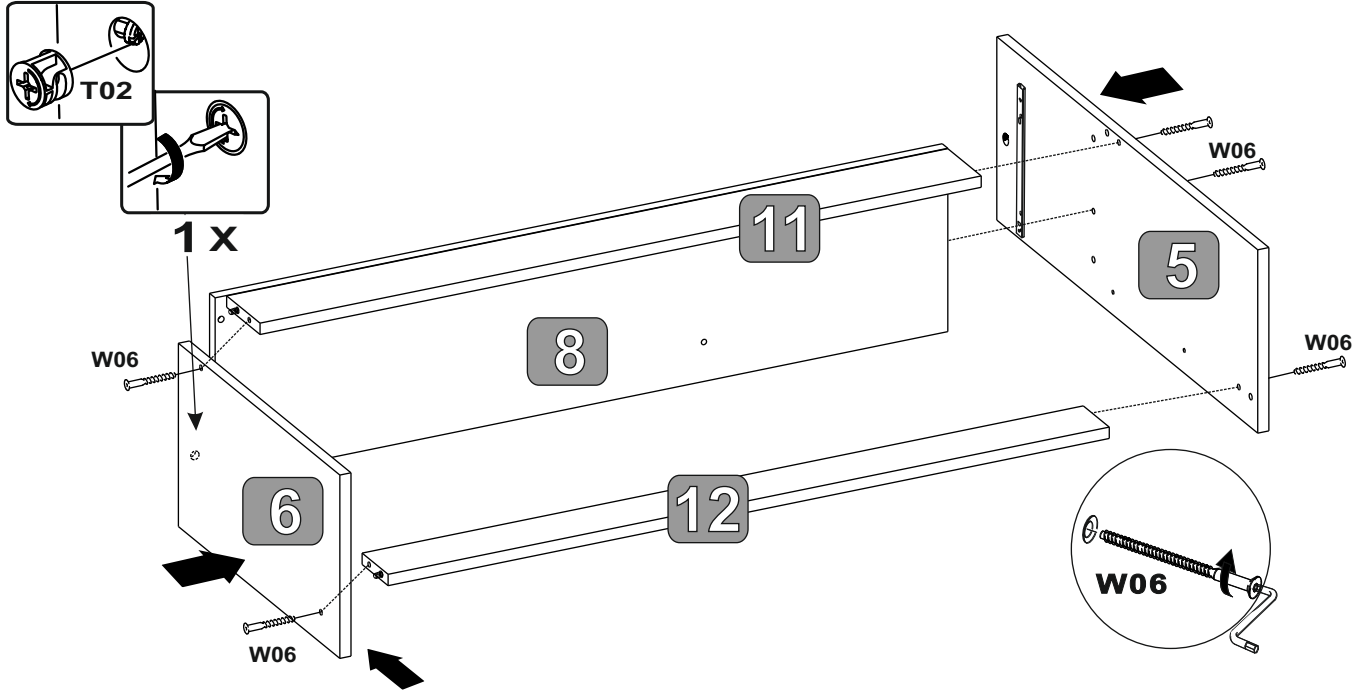
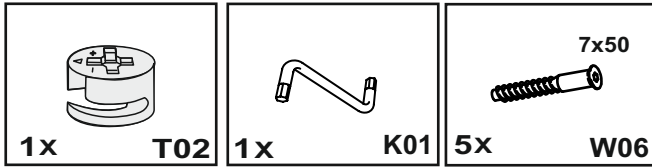
## 3



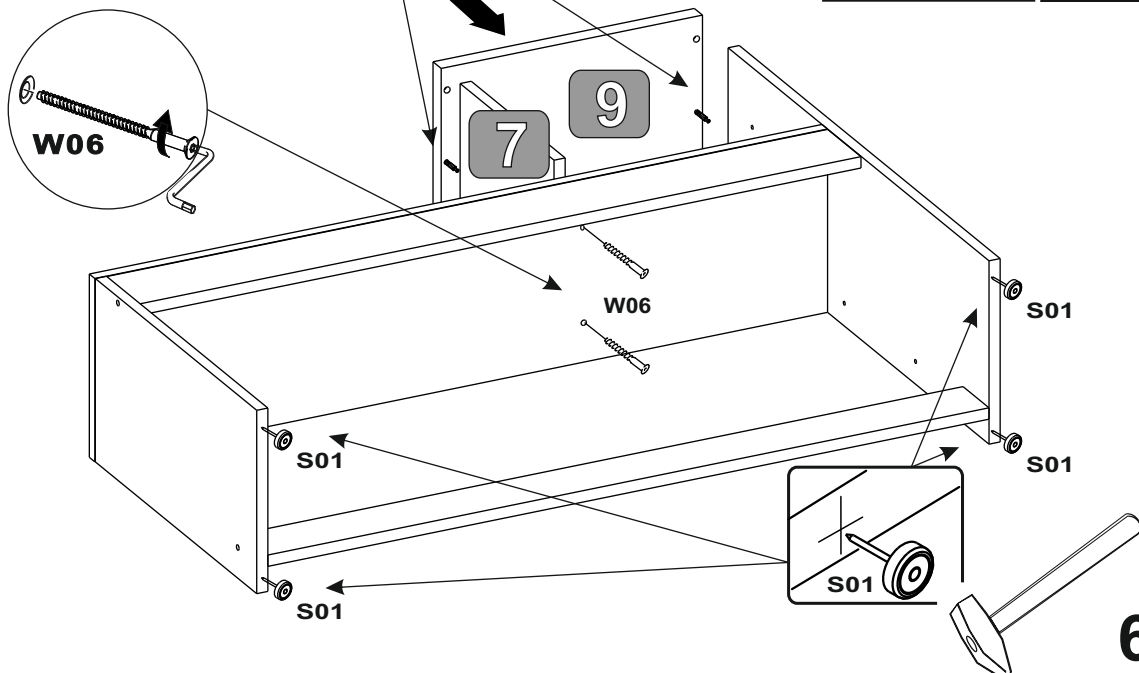
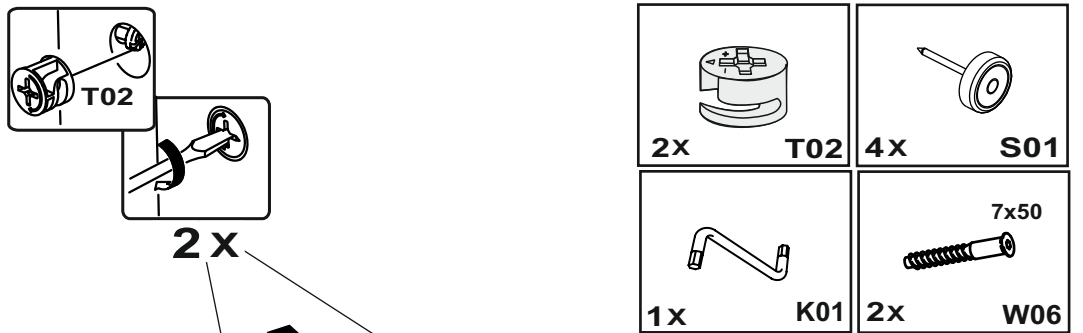
## 4



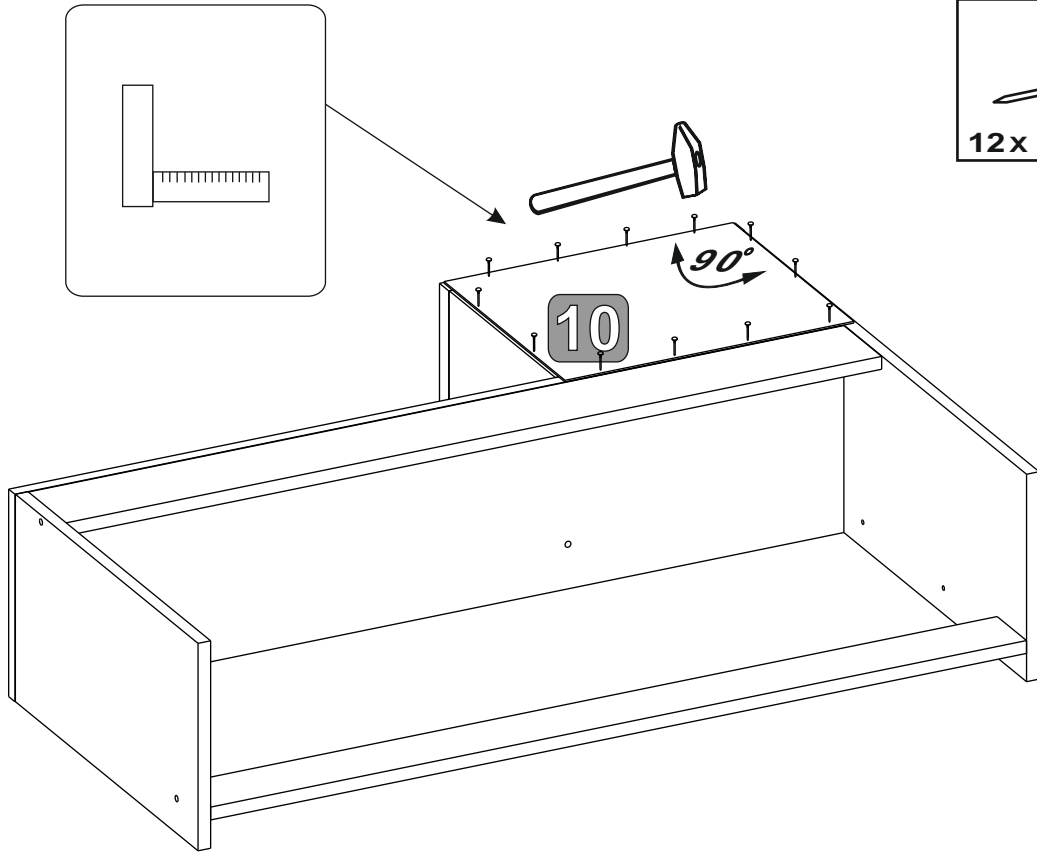
## 5



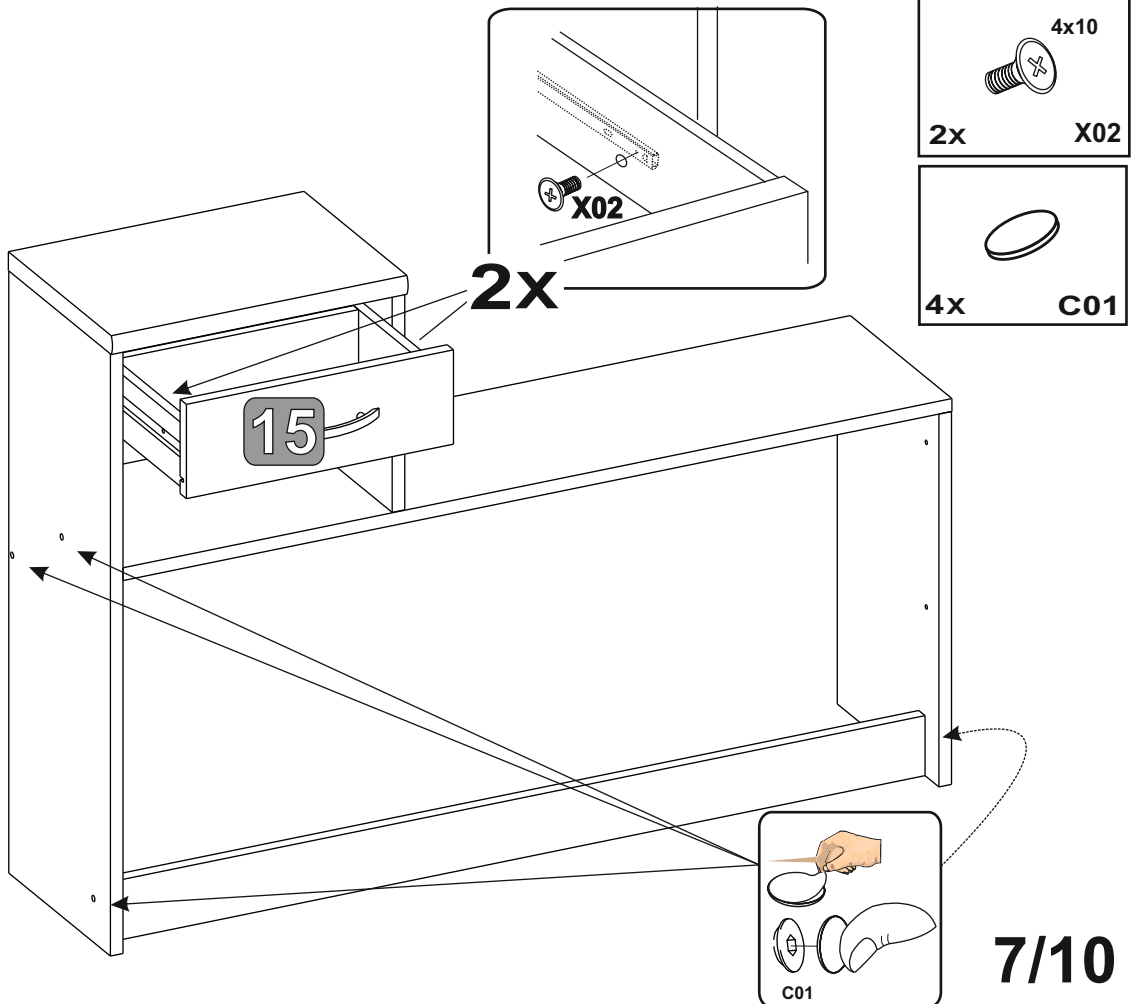
## 6



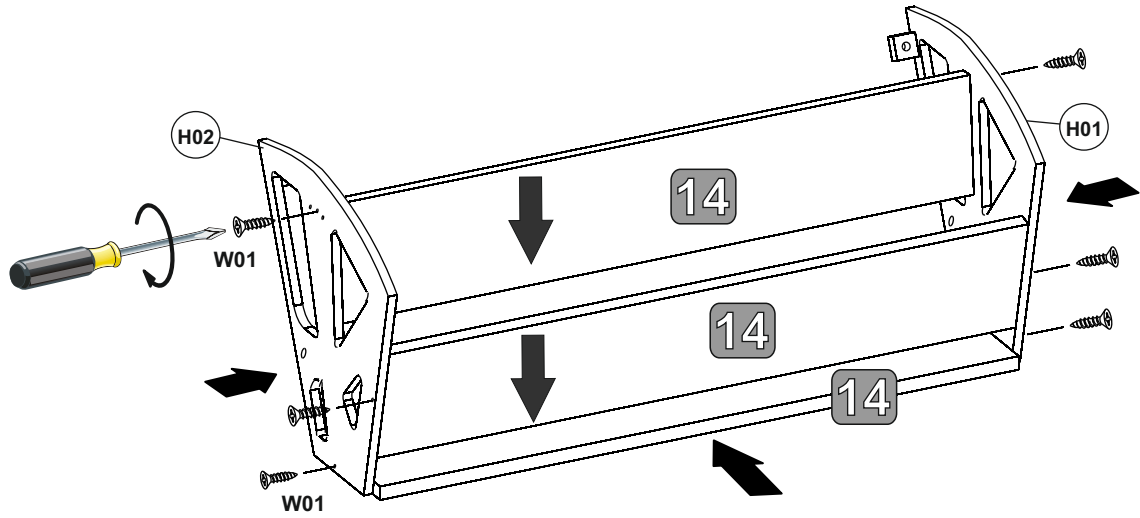
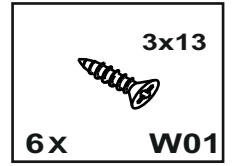
7



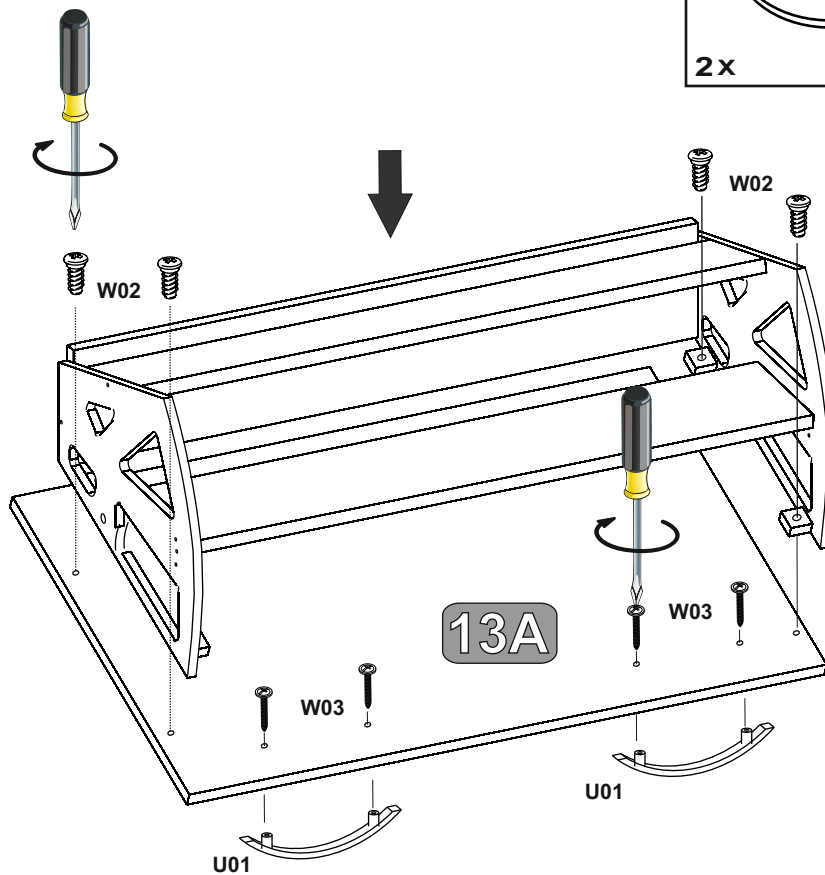
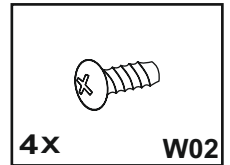
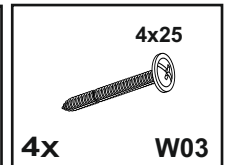
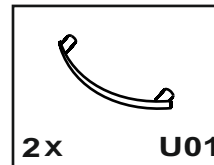
8



9



10





11

