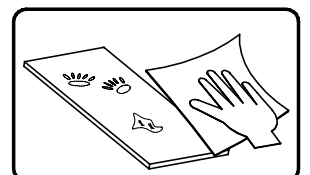
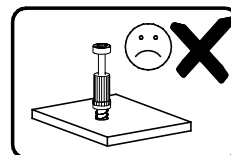
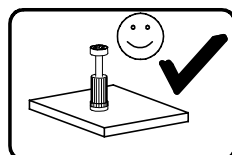
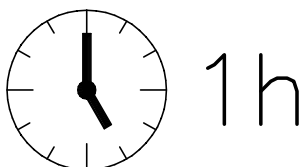
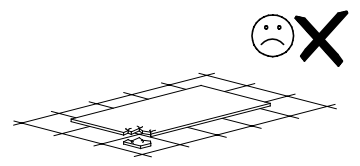
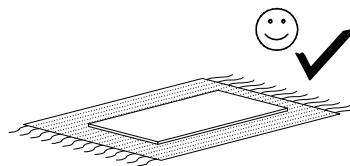
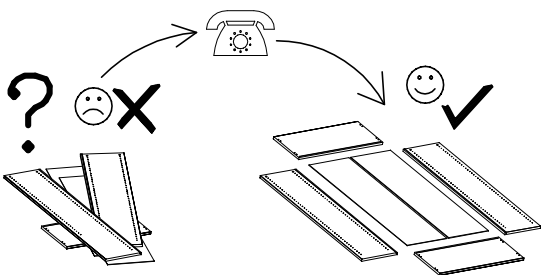
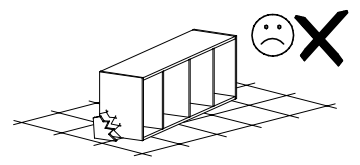
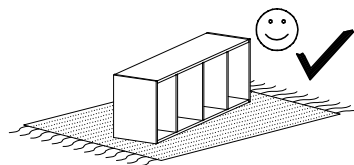
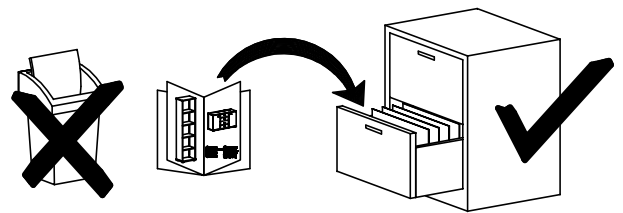
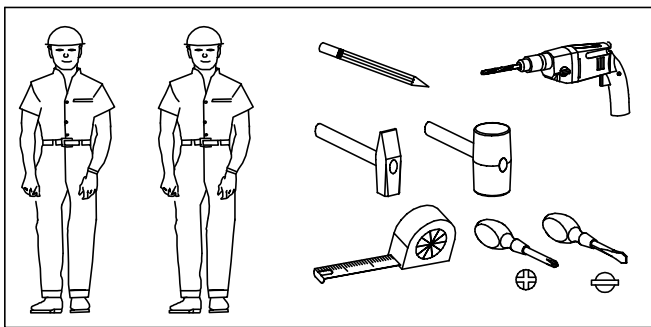
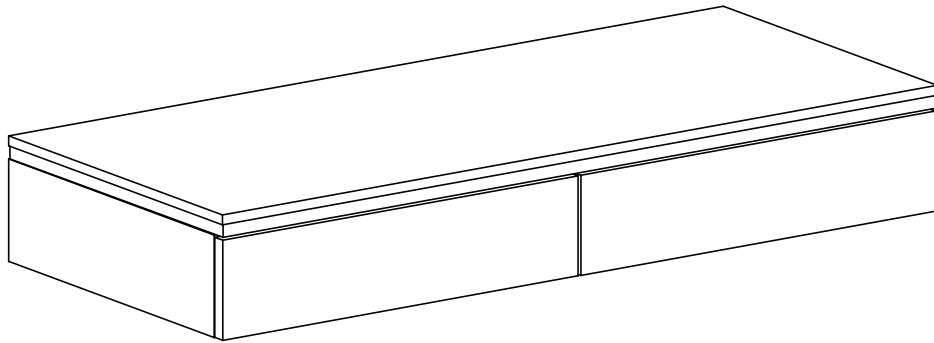
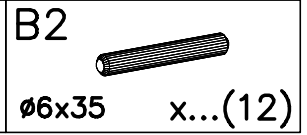
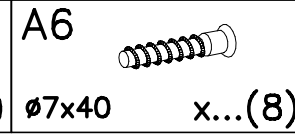
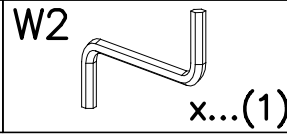
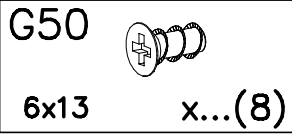
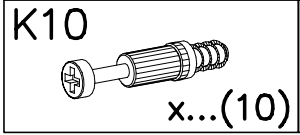
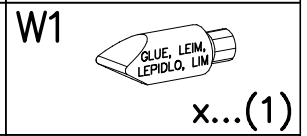
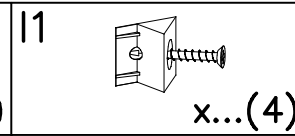
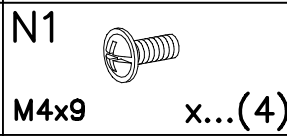
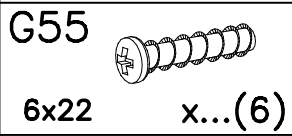
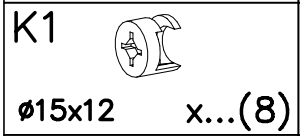
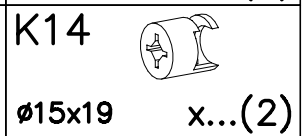
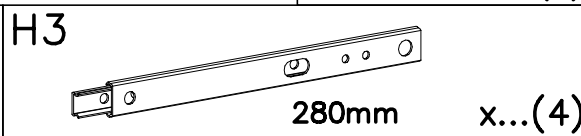
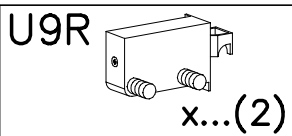
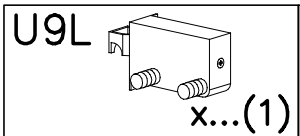
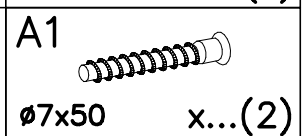
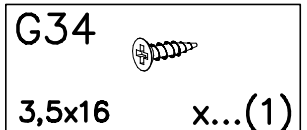
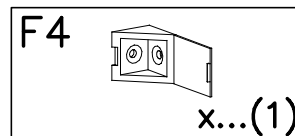
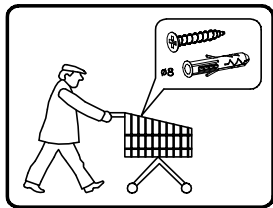
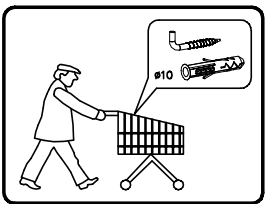
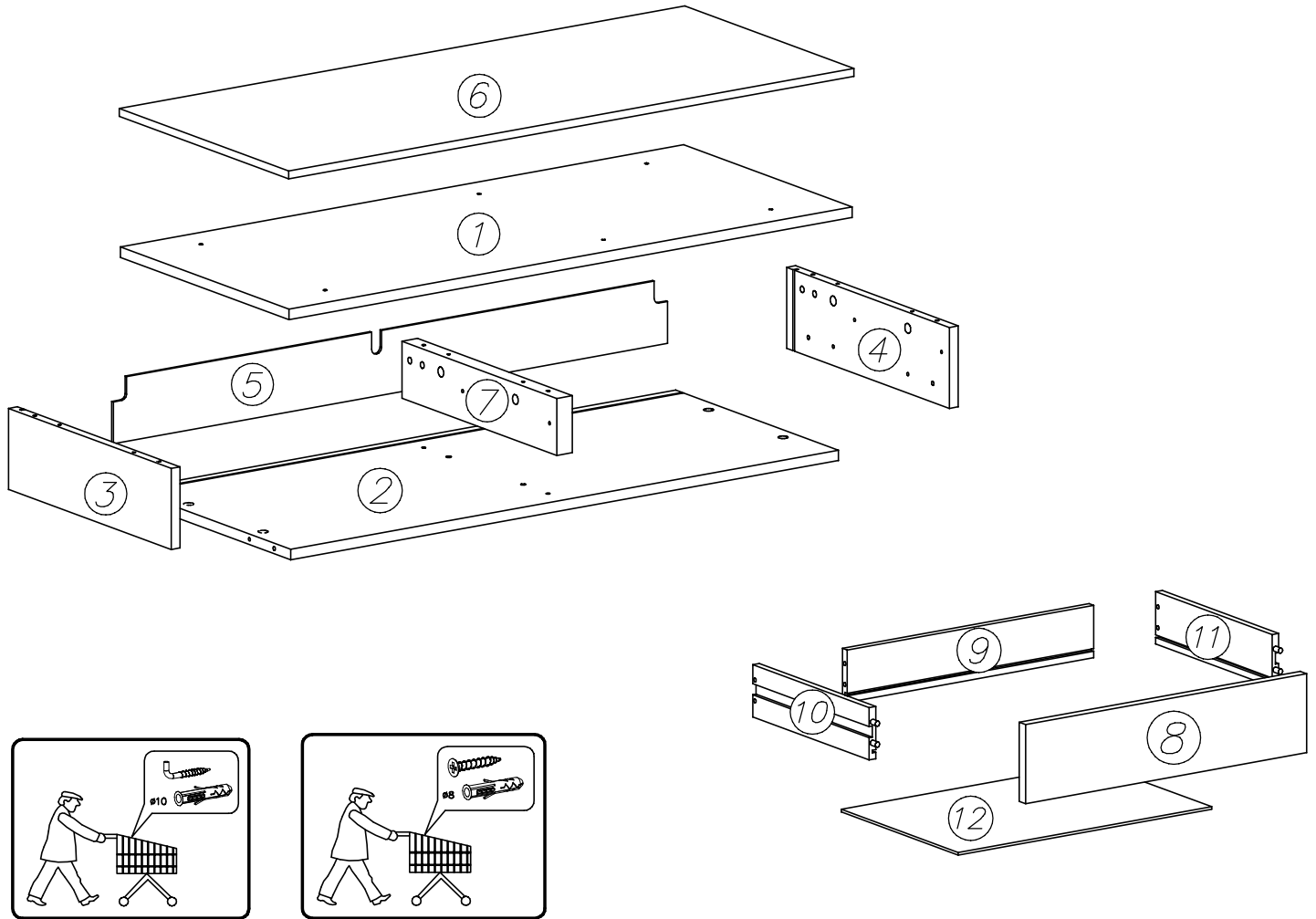
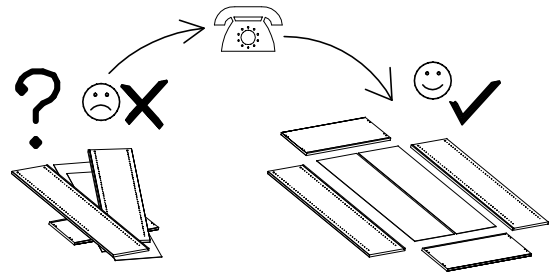
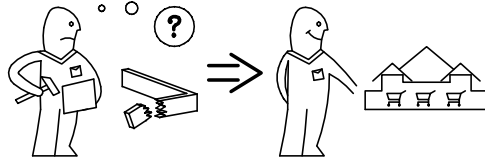
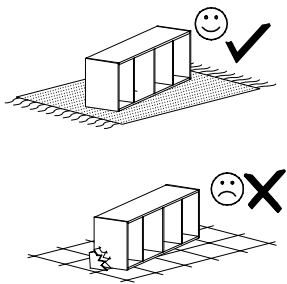


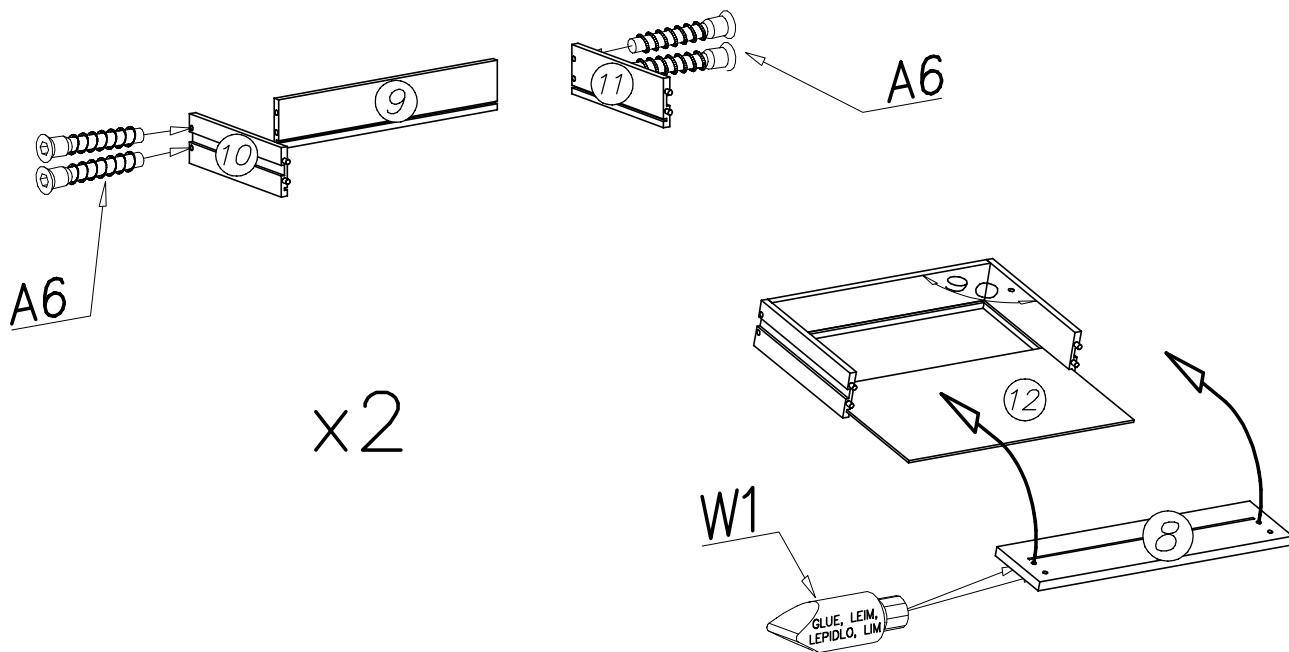
# AURORA toaletka



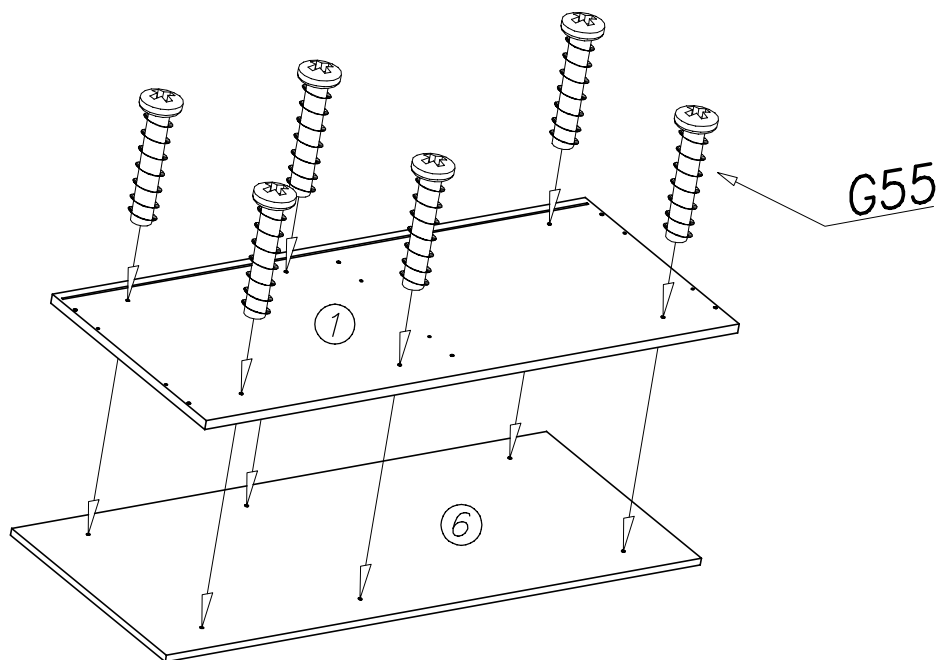
# AURORA toaletka



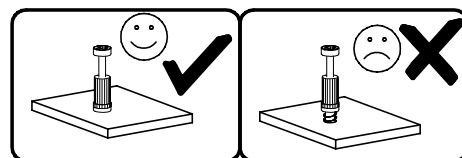
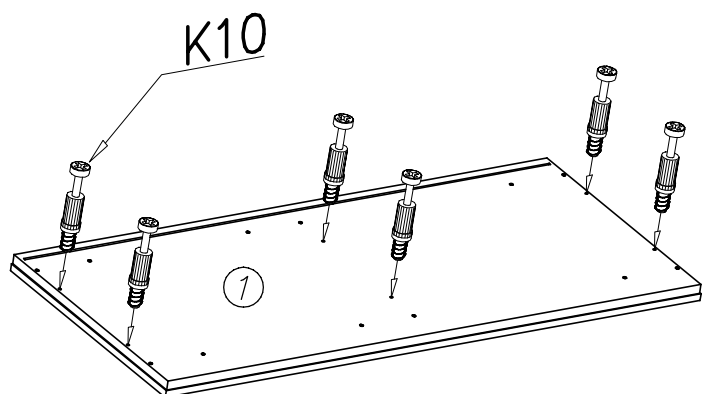
I



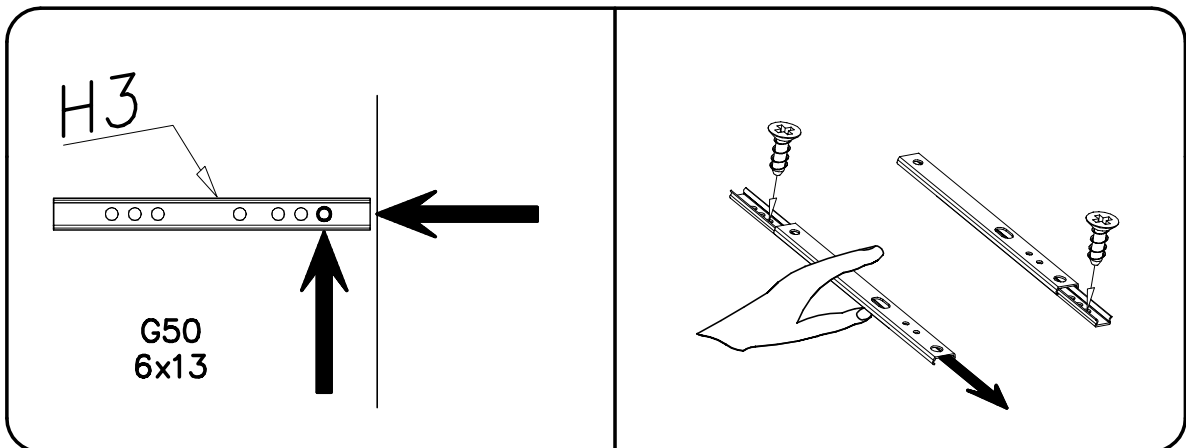
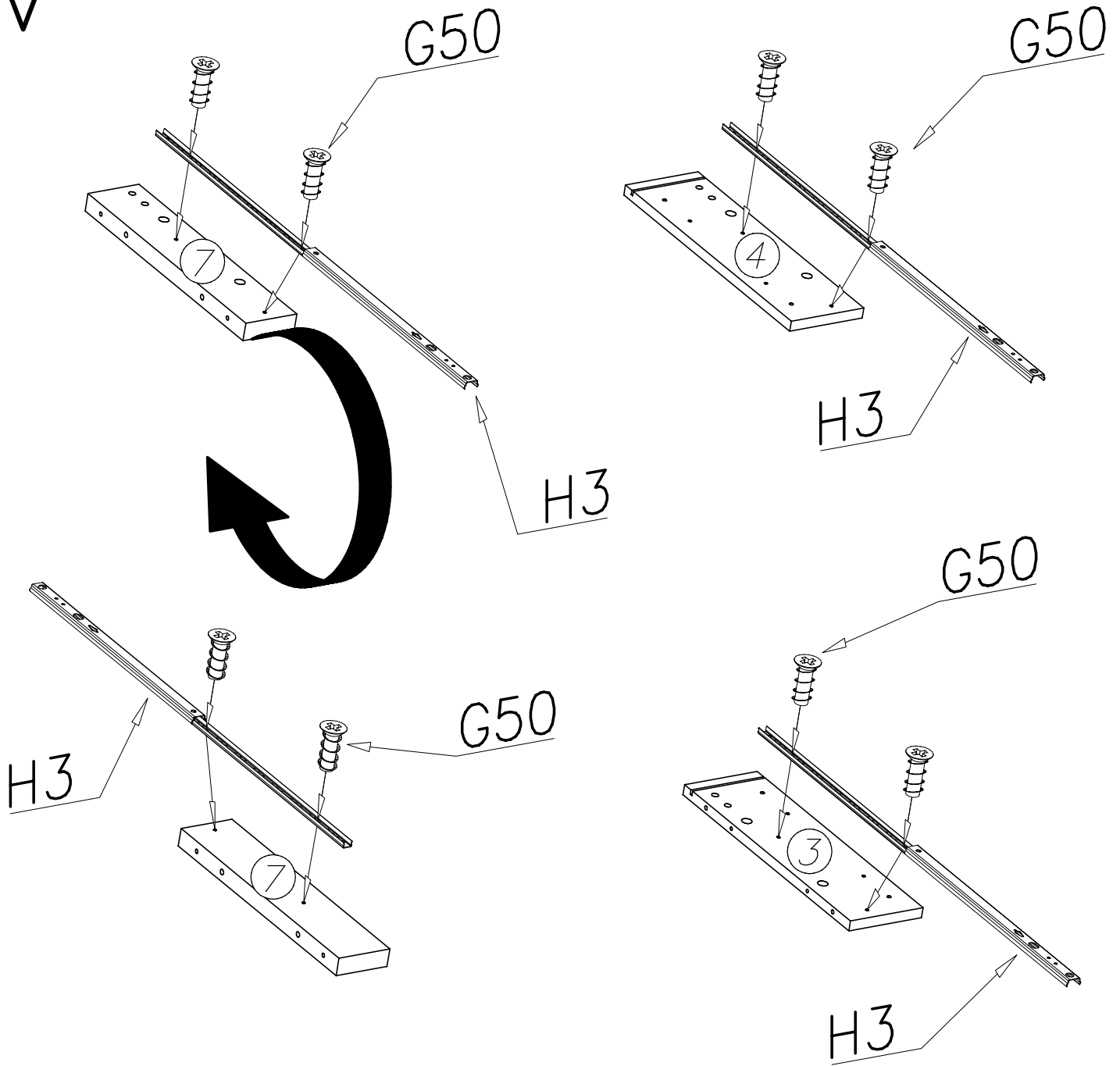
II



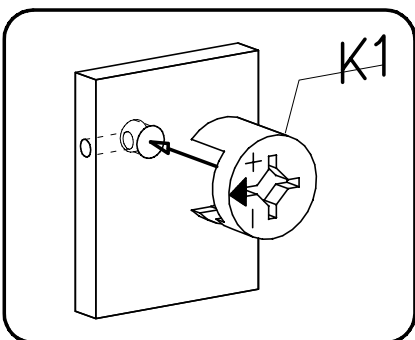
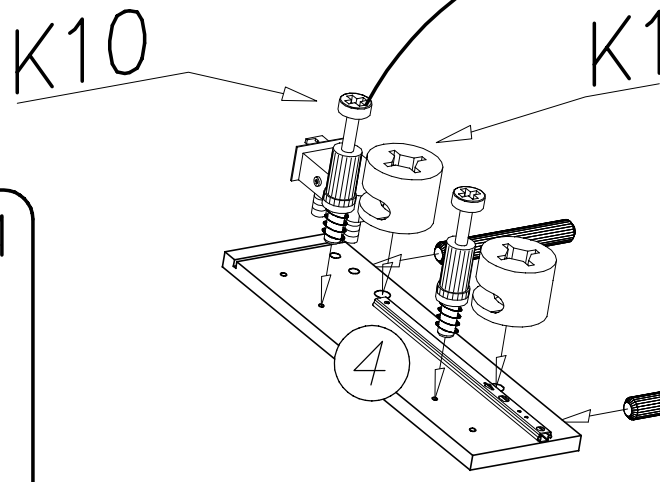
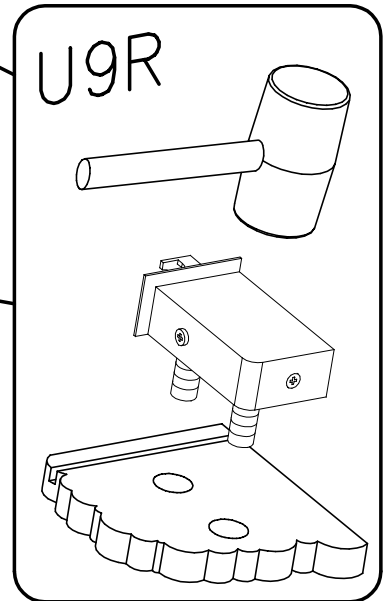
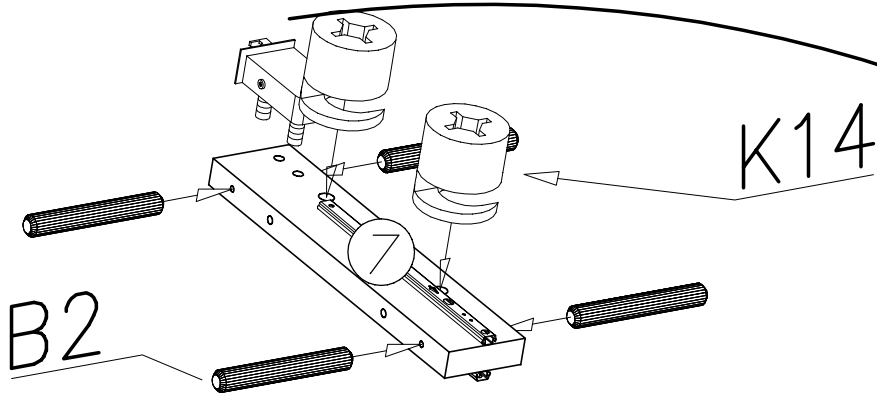
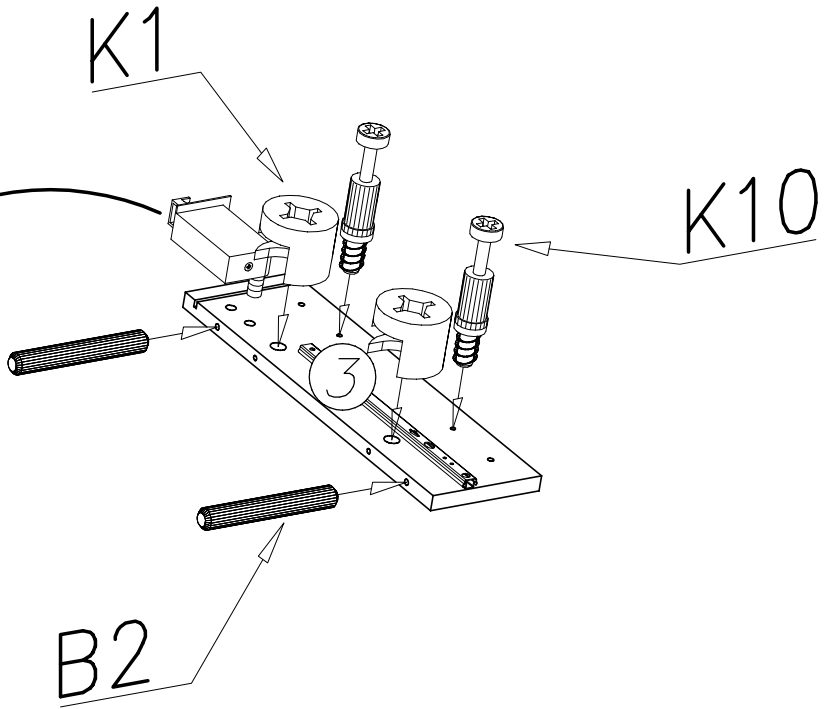
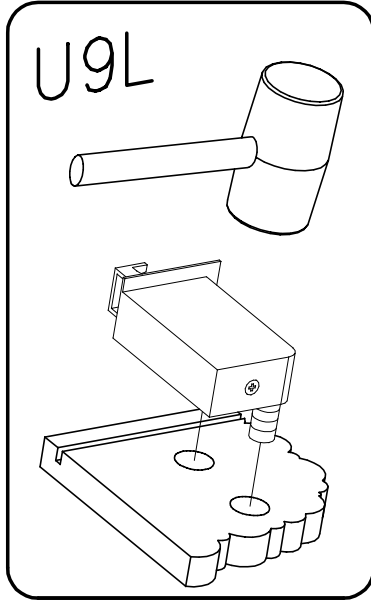
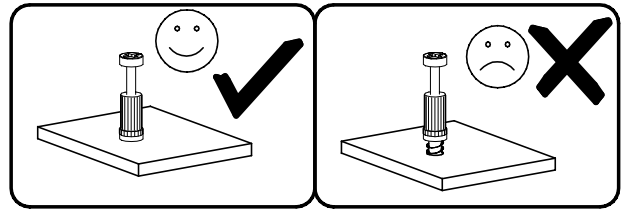
III



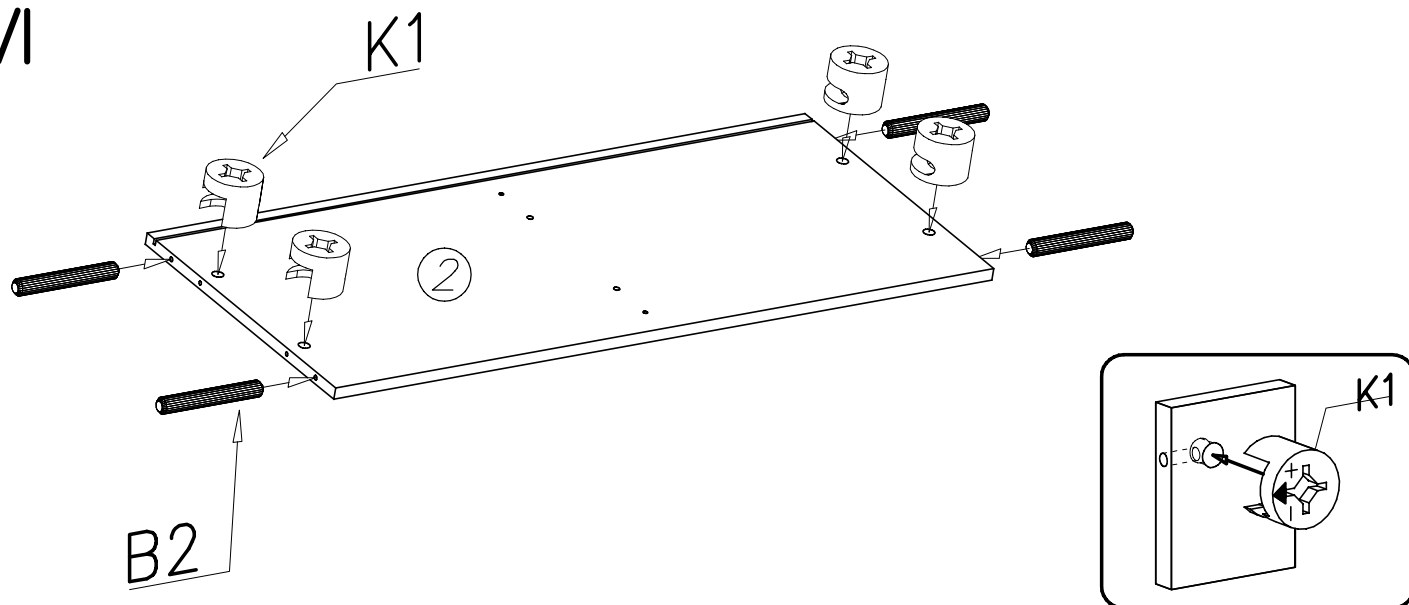
IV



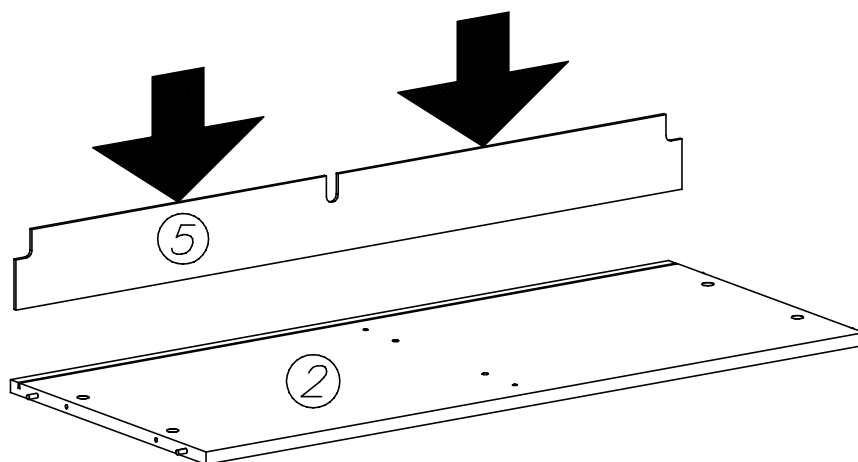
V



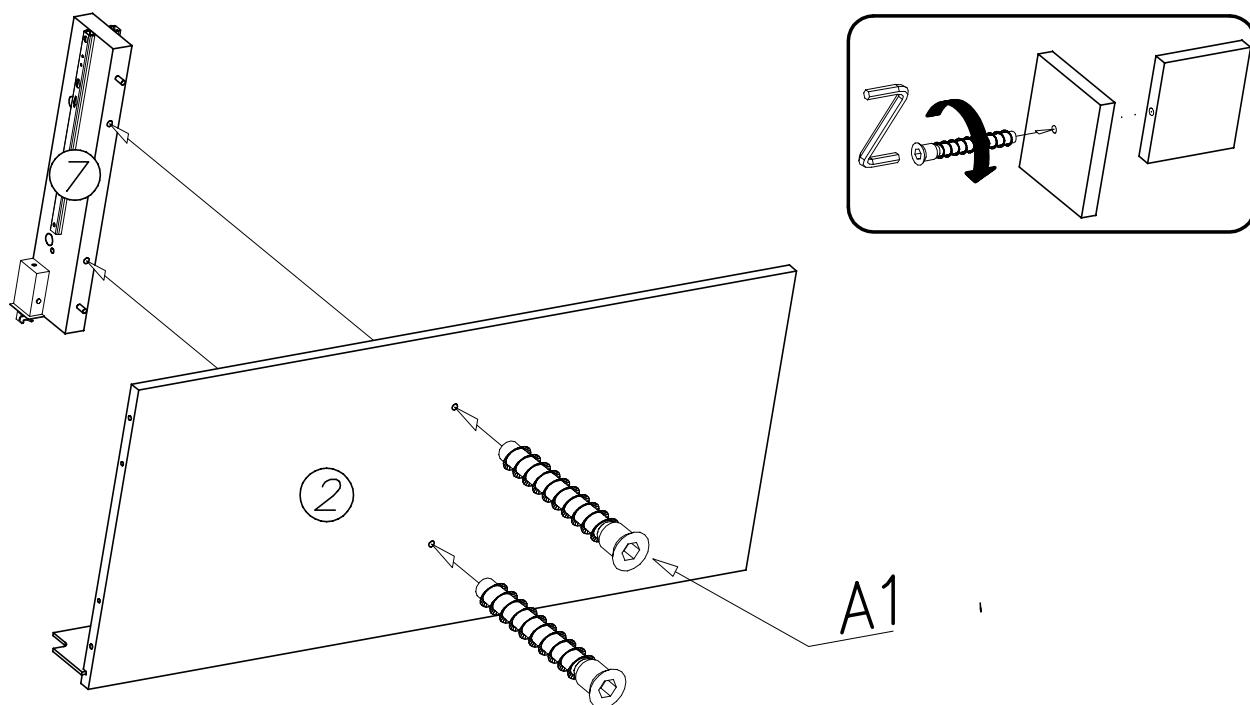
## VI



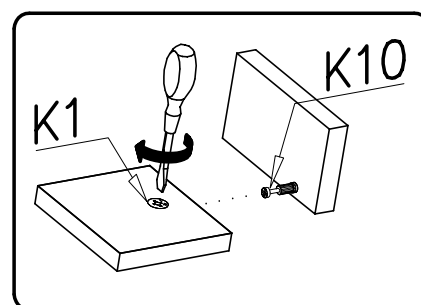
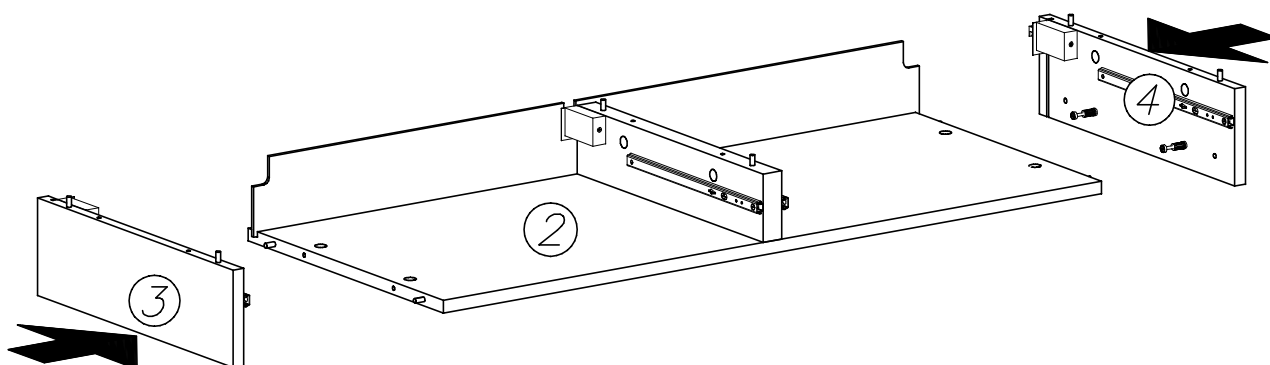
## VII



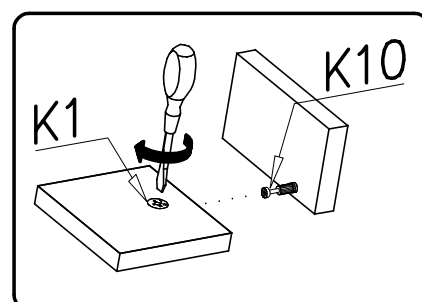
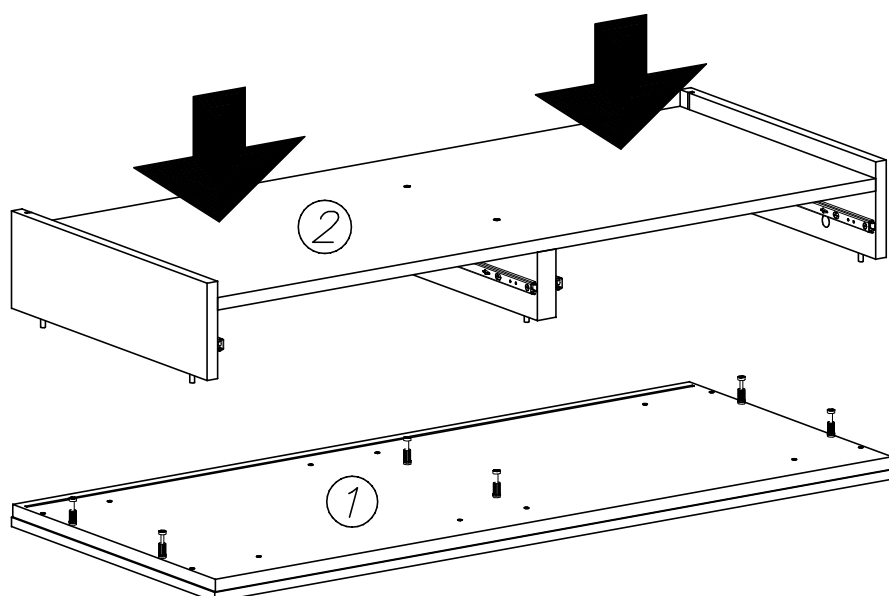
## VIII



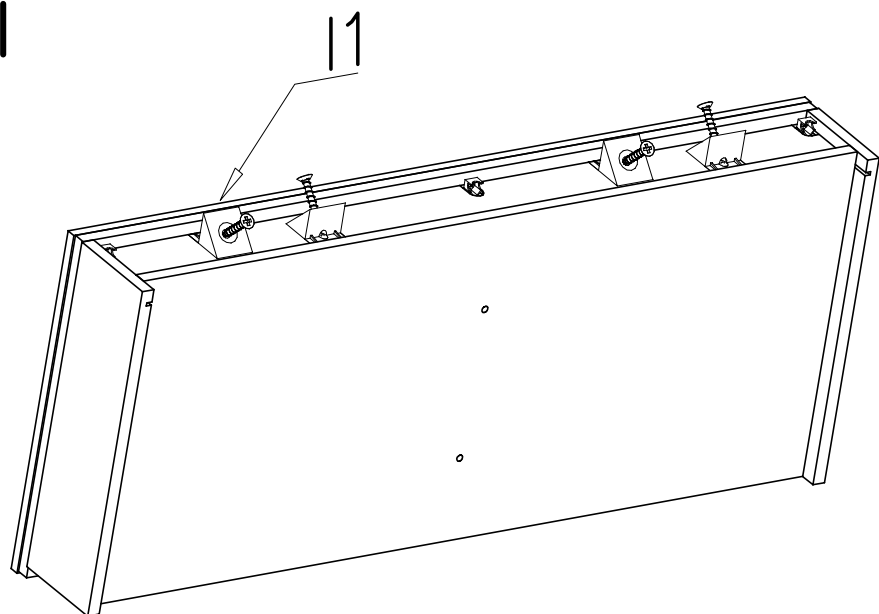
IX



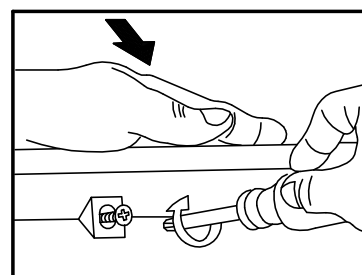
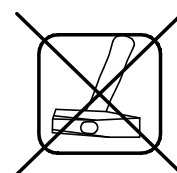
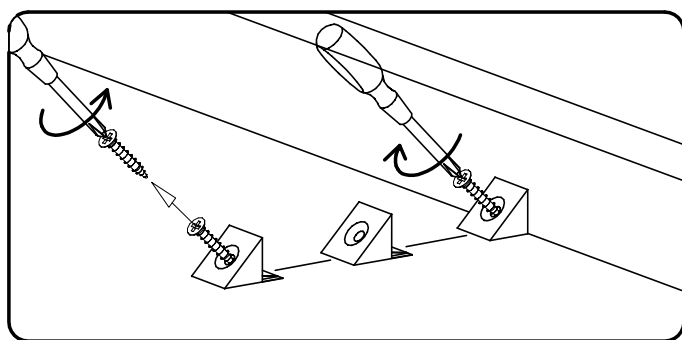
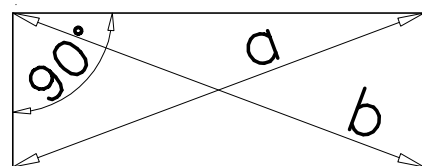
X



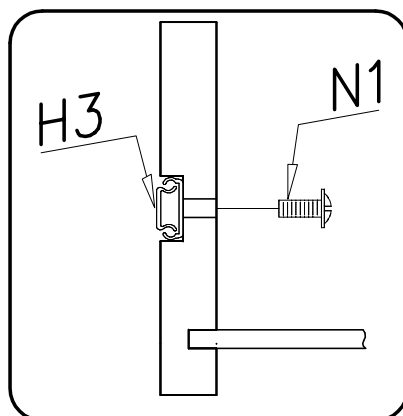
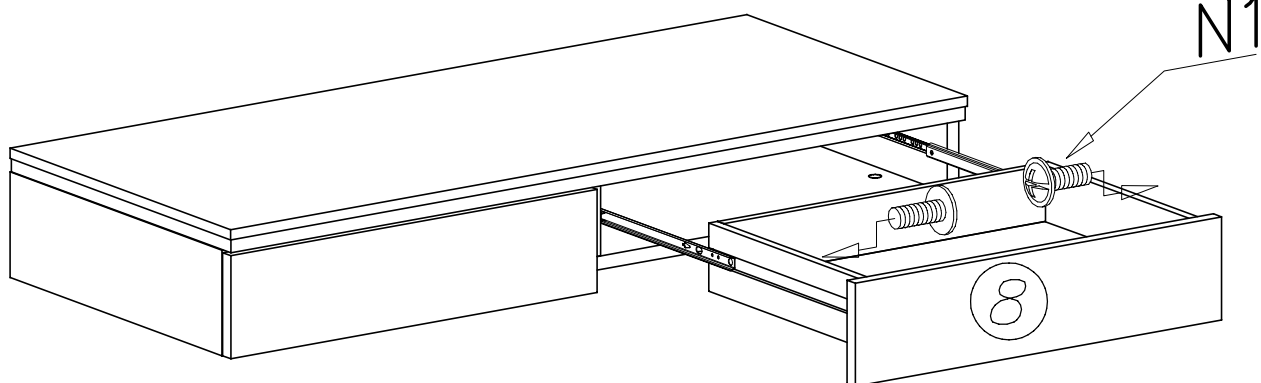
## XI



$a=b$

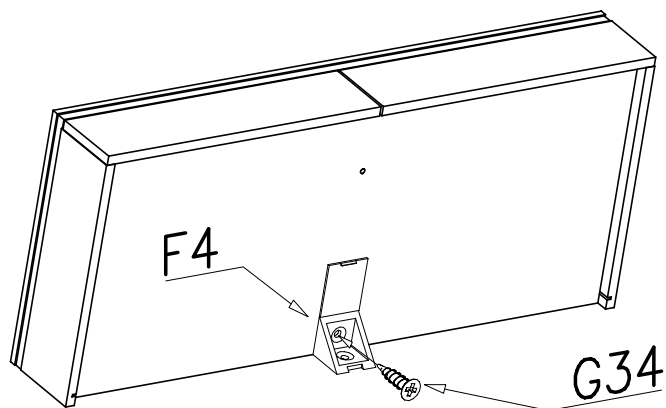


## XII

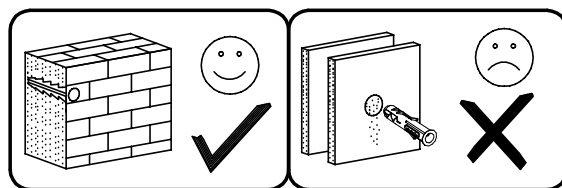
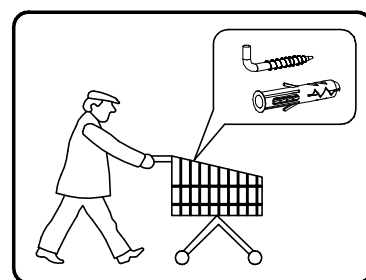
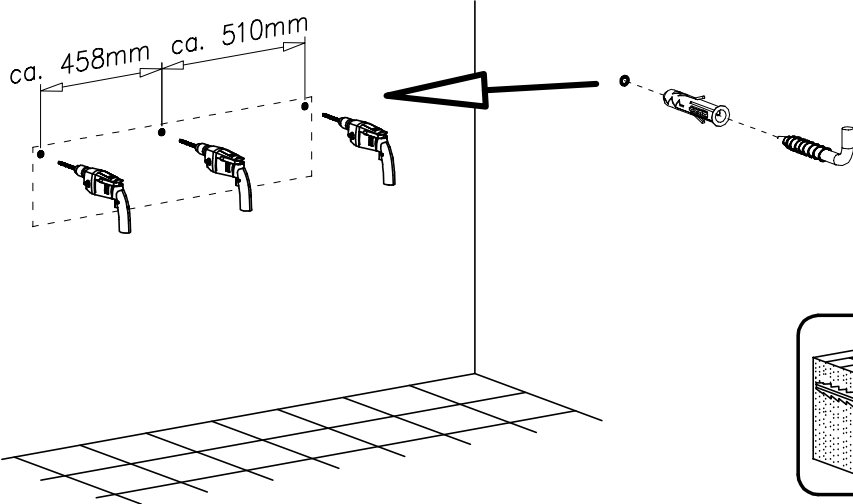




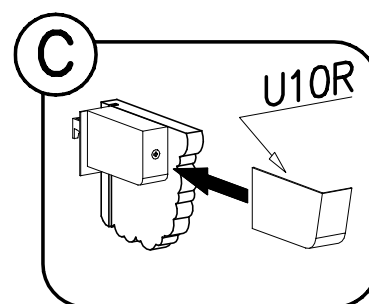
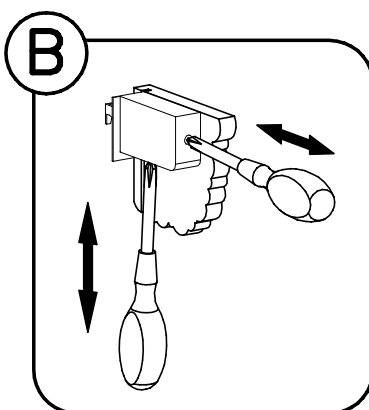
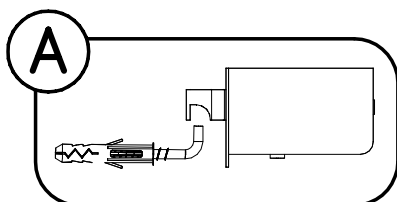
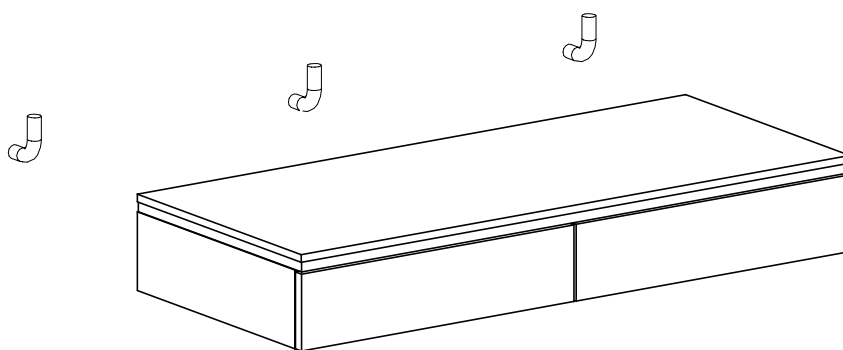
## XIII



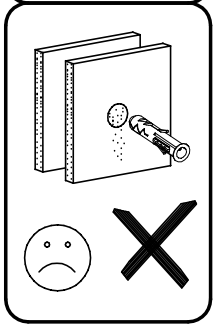
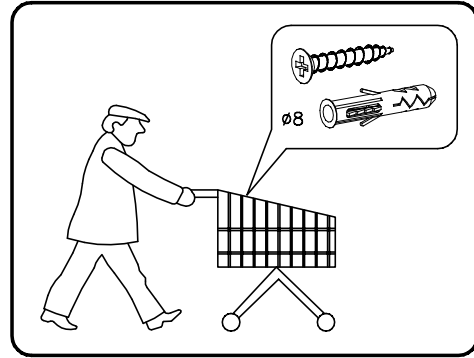
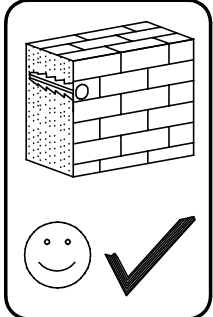
## XIV



## XV

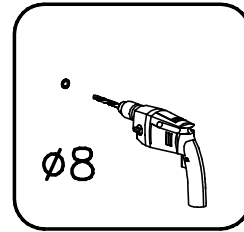
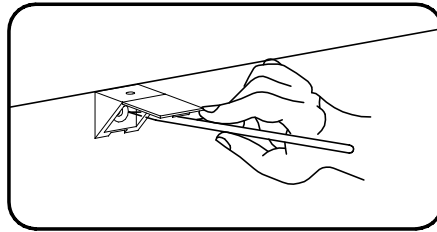


XVI



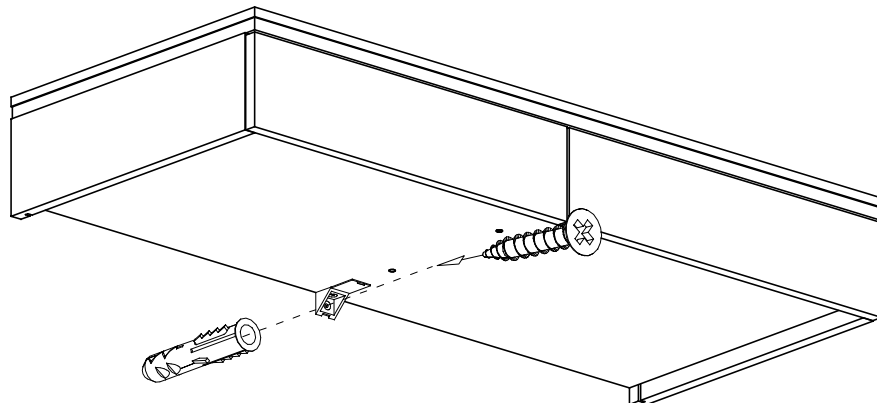
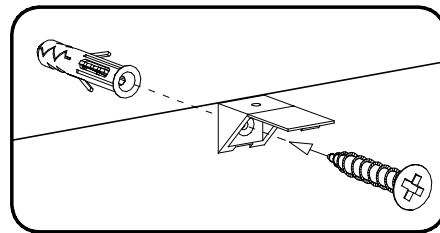
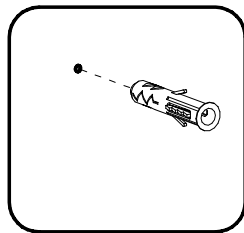
1

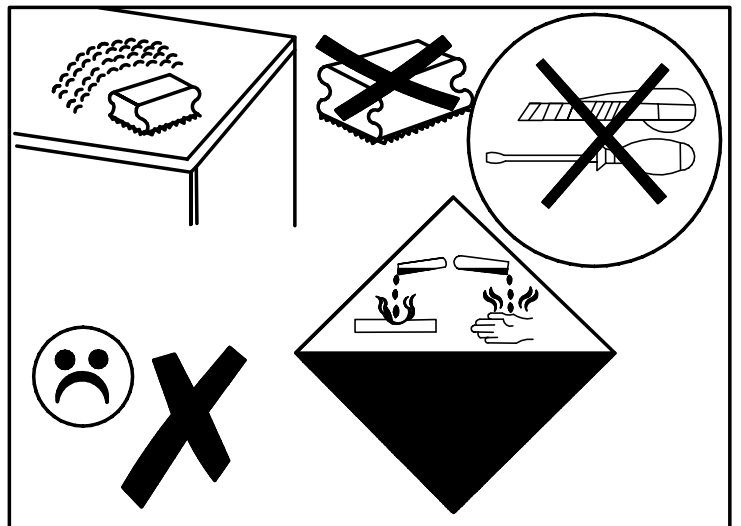
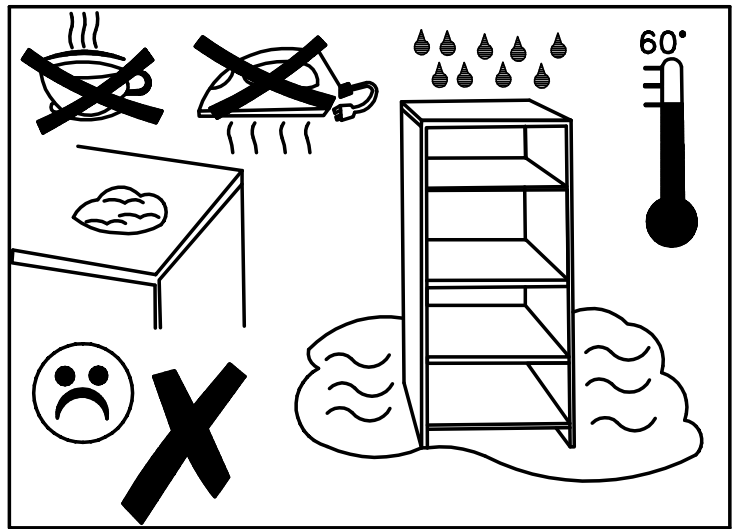
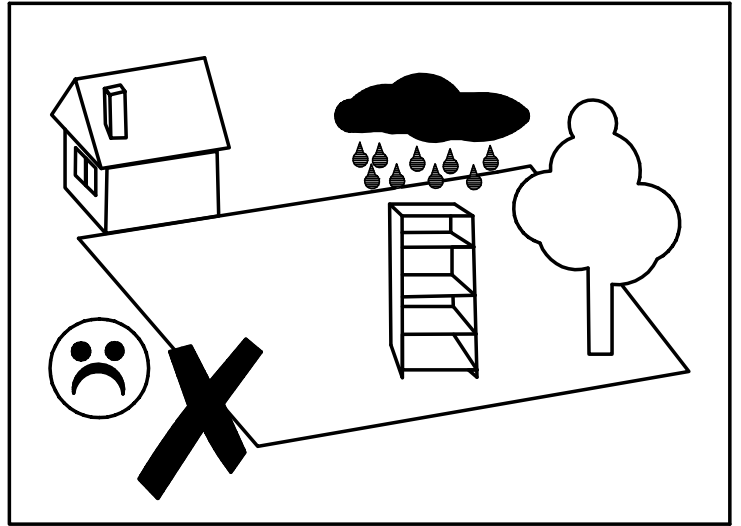
2

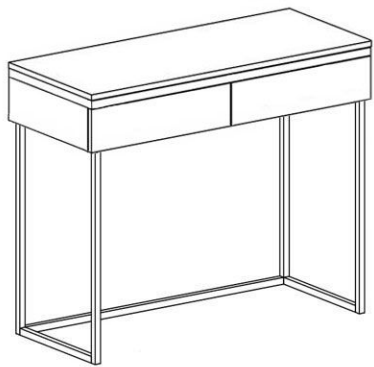


3

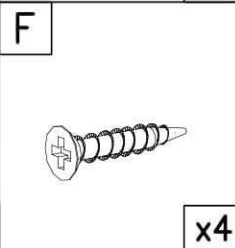
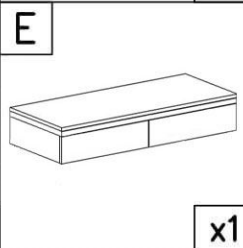
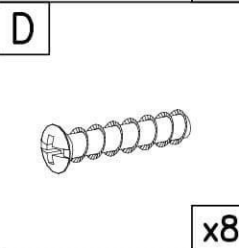
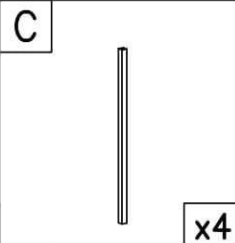
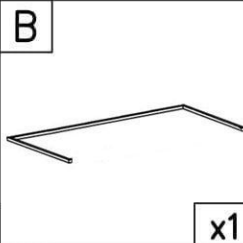
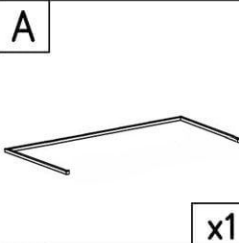
4



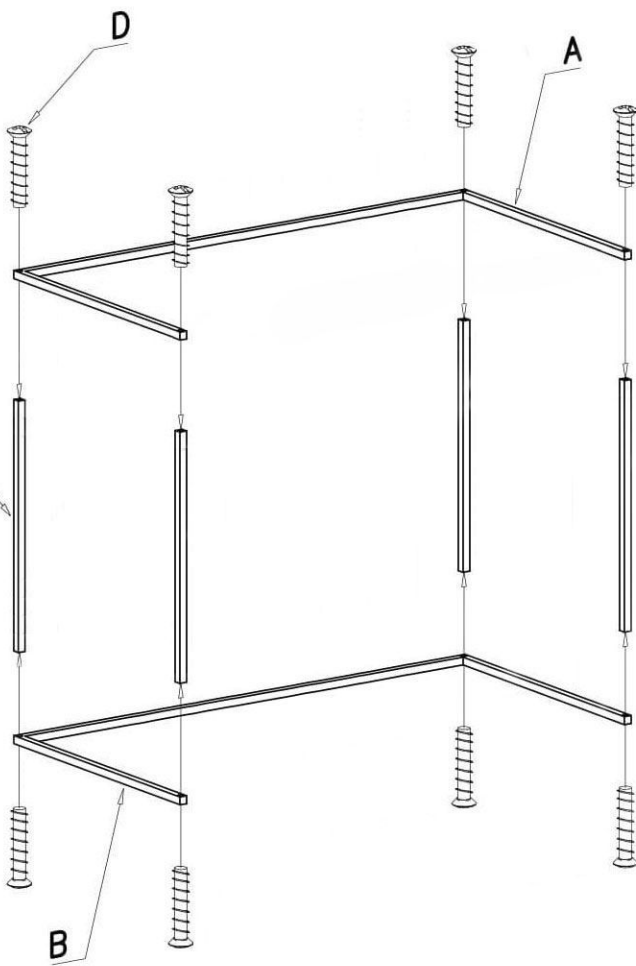




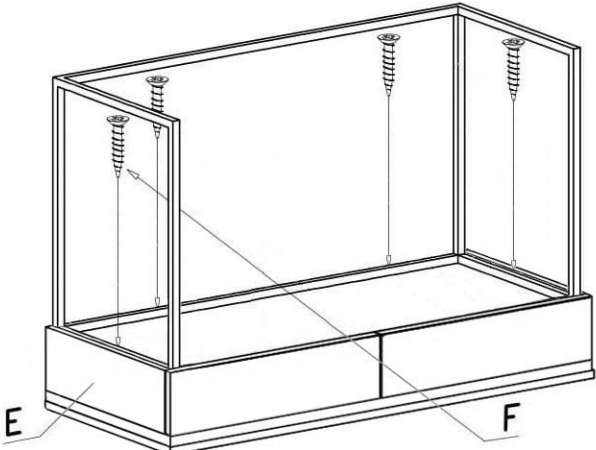
1



C

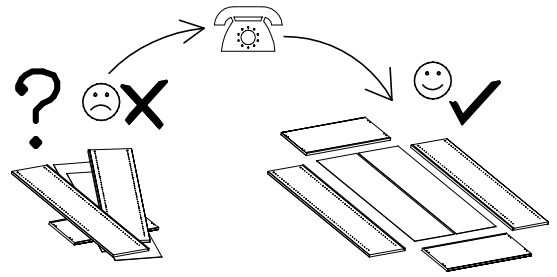
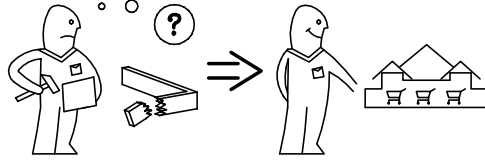
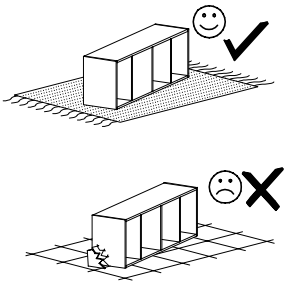


2

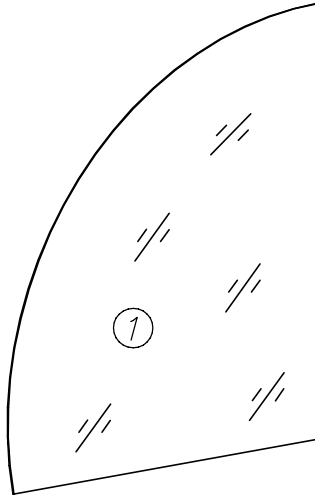


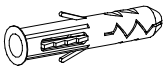

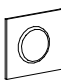

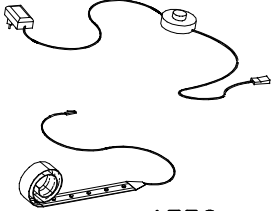


# QUINNIE L



nr	L[mm]	B[mm]	T[mm]	Menge	Colli
1	920	770	19	1	1/2



<b>U8</b>  ø10x60 x...(2)	<b>U7S</b>  x...(2)	<b>W4</b>  x...(2) <b>G46</b>  6x8 x...(4)	<b>W10</b>  1350mm x...(1)
--	--	---	--



I

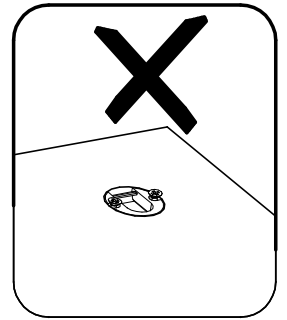
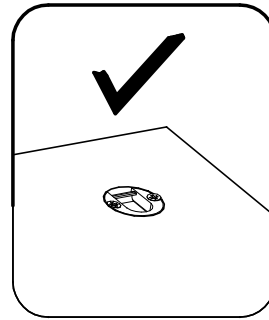
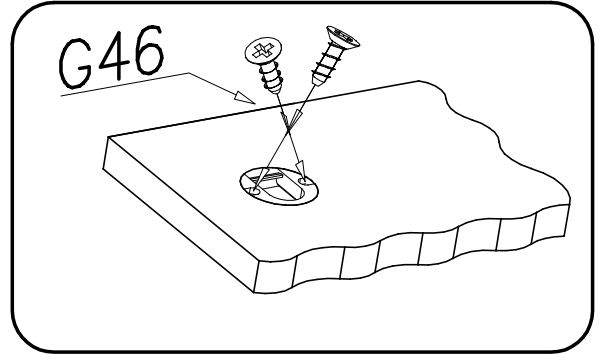
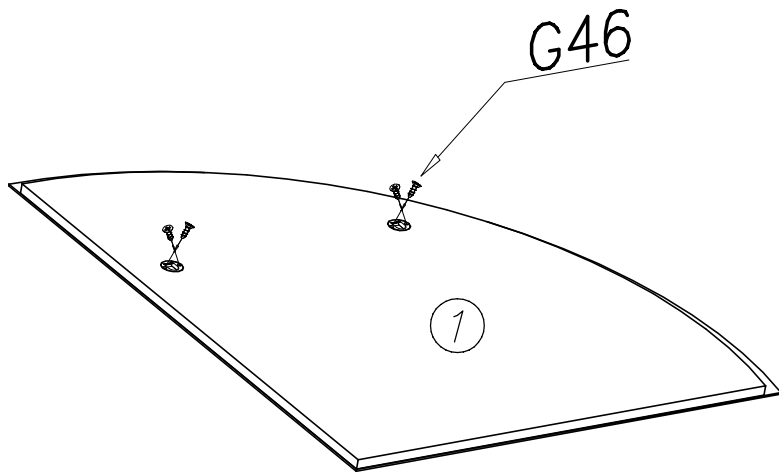


G46



6x8

x...(4)

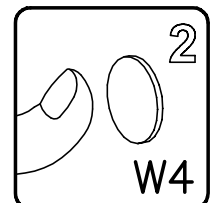
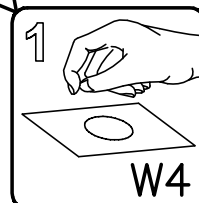
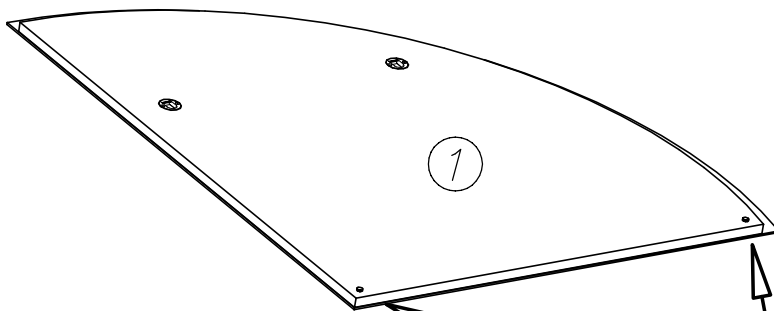


II

W4

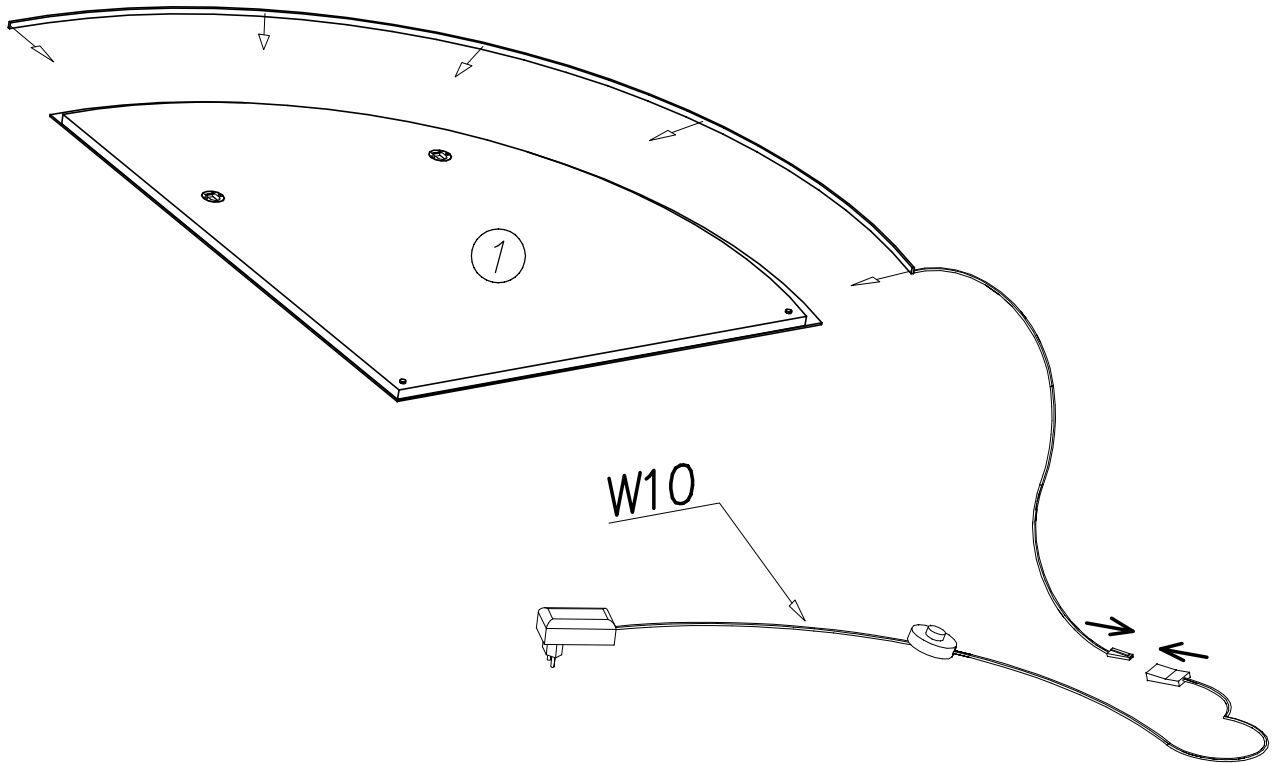
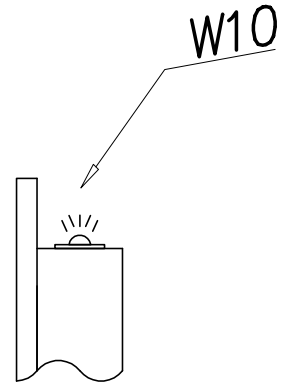
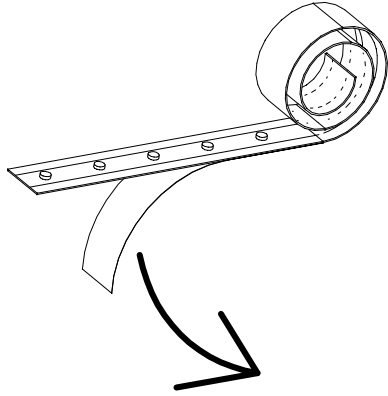


2x





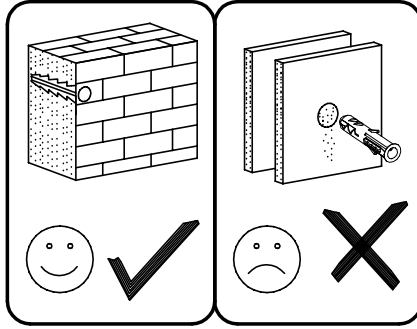
III



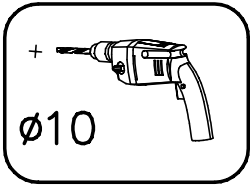




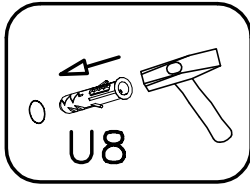
## IV



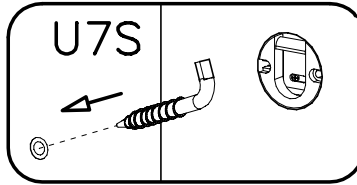
1



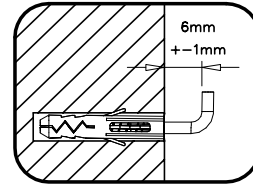
2



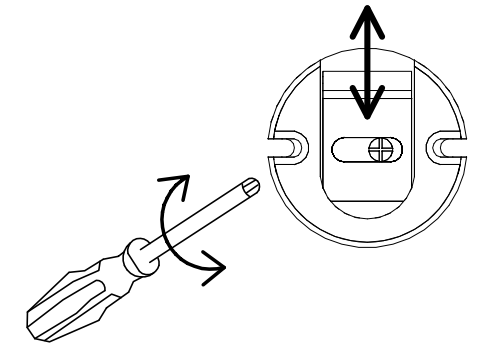
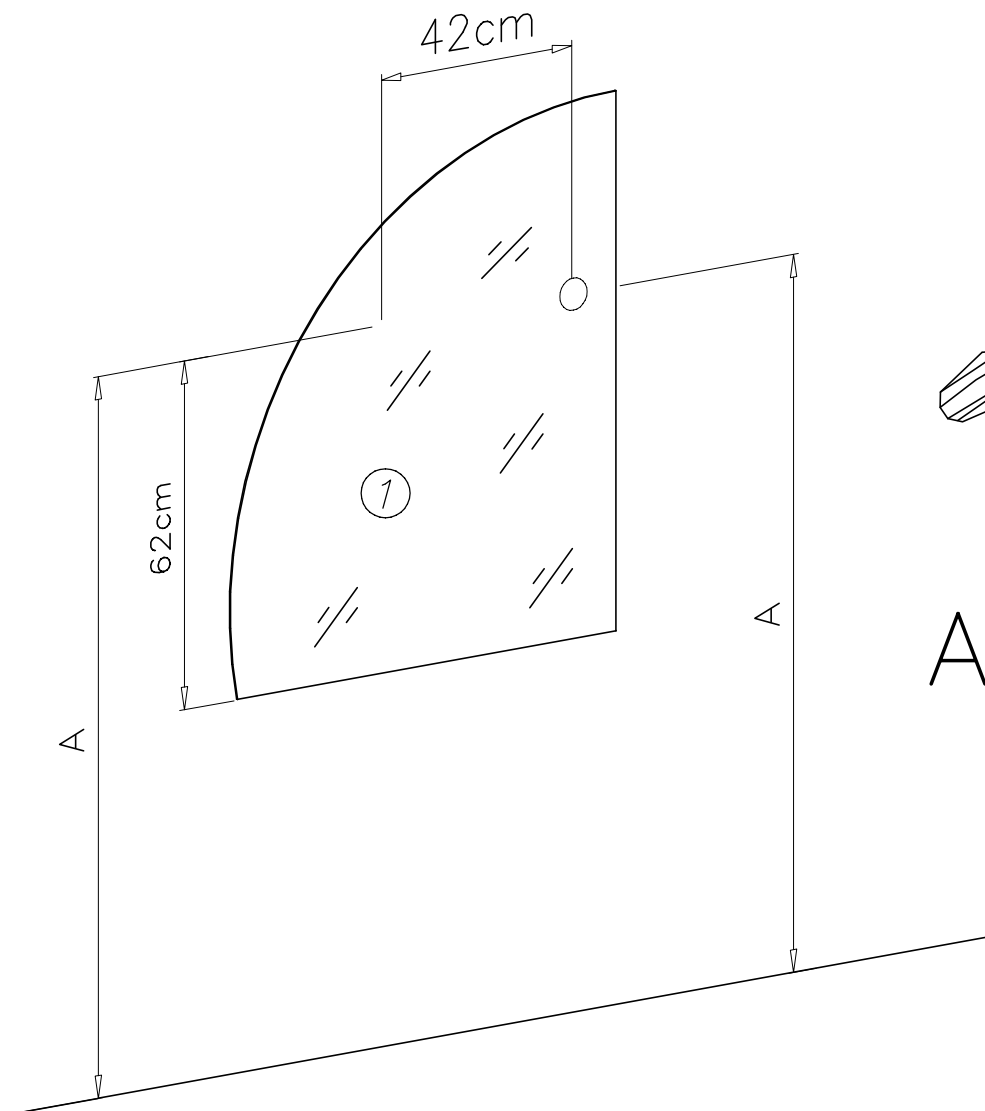
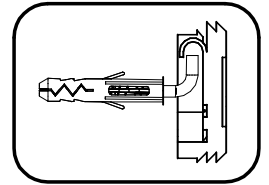
3



4



5



A = A

