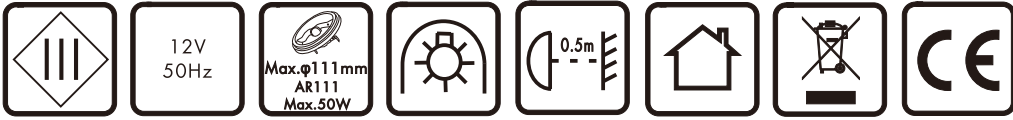


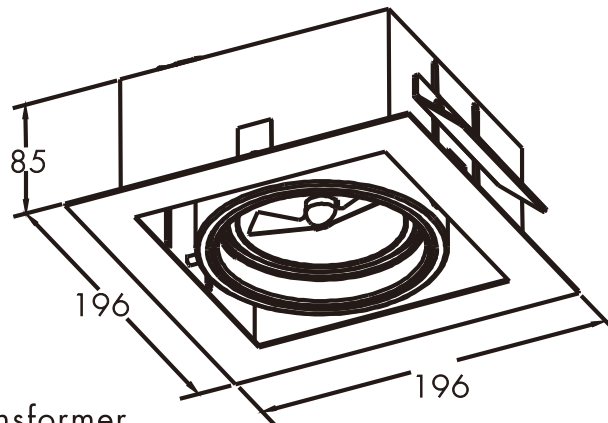
# INSTRUCTION MANUAL



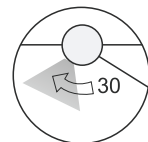
## Oneon DL 111-1

<p>1.</p>	<p>2.</p>	<p>3.</p>
<p>4.</p>	<p>5.</p> <p>Warning: When replacing a halogen lamp, wait for it to cool, for a minimum of 5 minutes</p>	<p>6.</p>

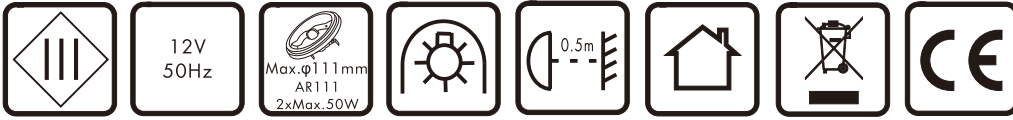
### Overall Sizes:



Excl. bulb and transformer



# INSTRUCTION MANUAL



## Oneon DL 111-2

<p>1.</p>	<p>2.</p>	<p>3.</p>
<p>4.</p>	<p>5.</p> <p>Warning: When replacing a halogen lamp, wait for it to cool, for a minimum of 5 minutes</p>	<p>6.</p>
<p>Overall Sizes:</p> <p>Excl. bulb and transformer</p>		