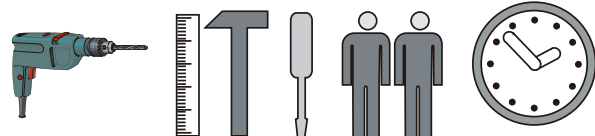
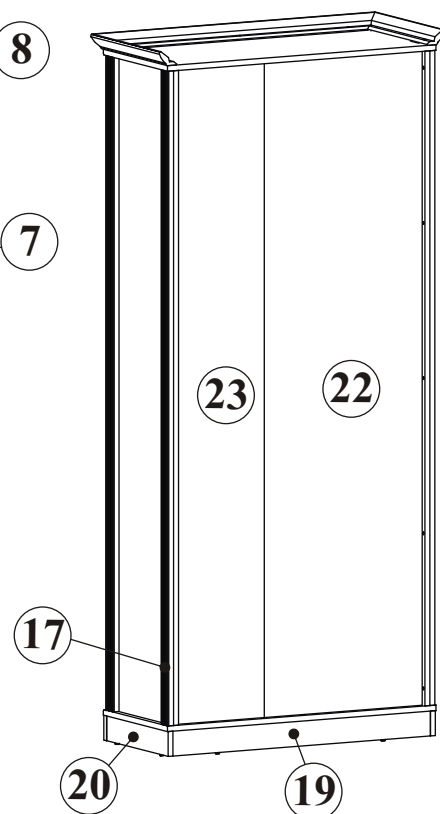
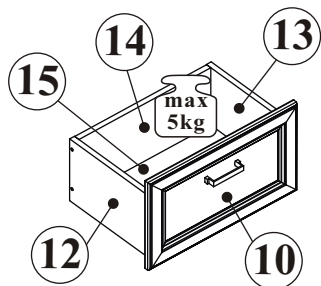
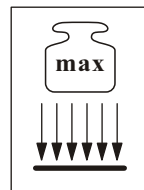
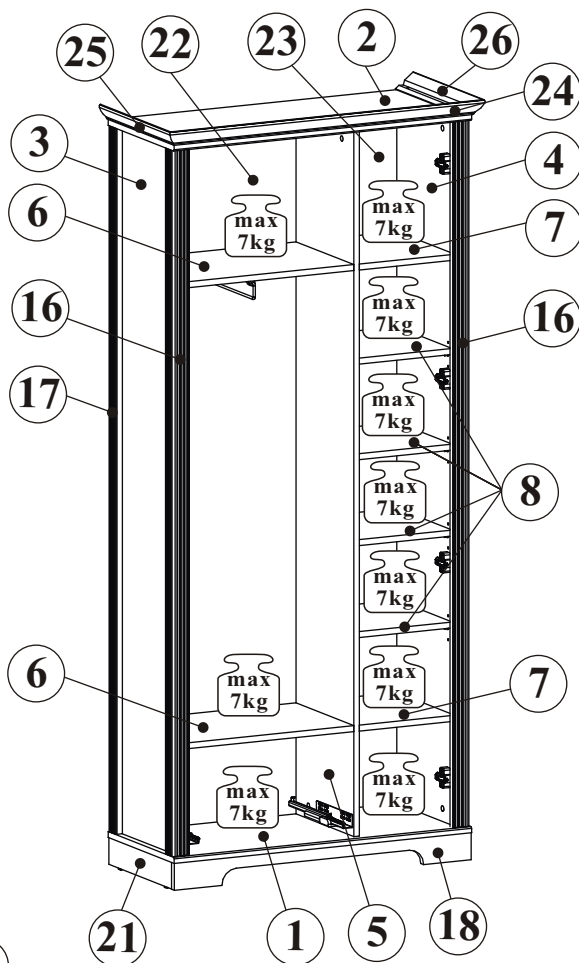
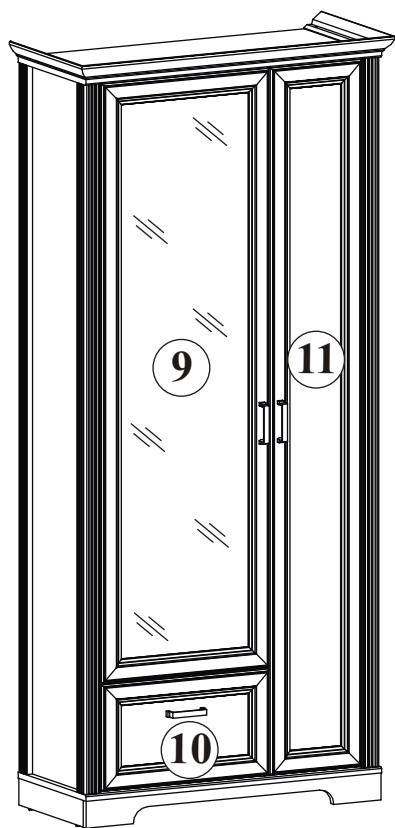


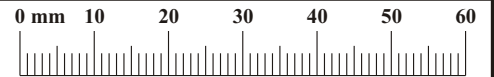
JASMIN 30B1_03



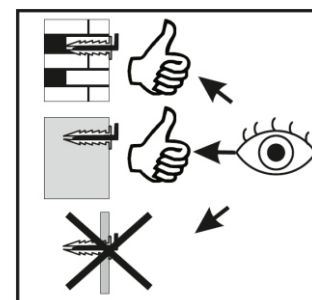
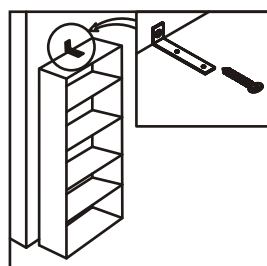
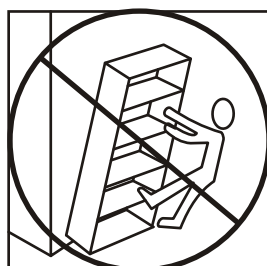
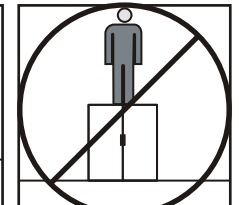
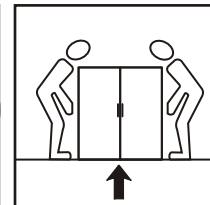
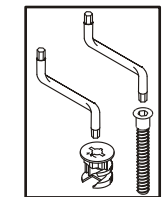
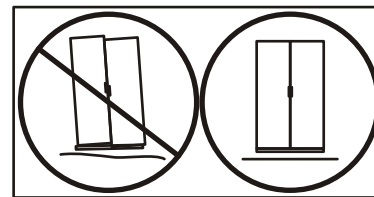
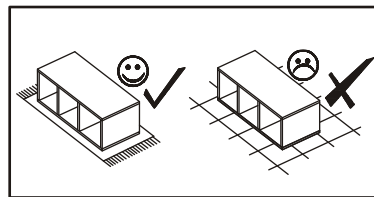
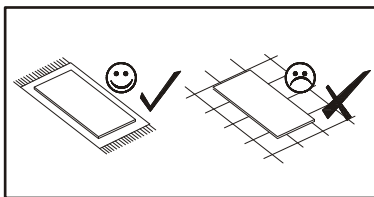
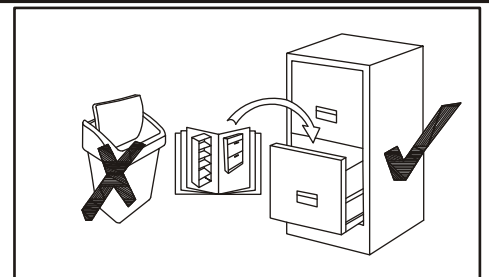
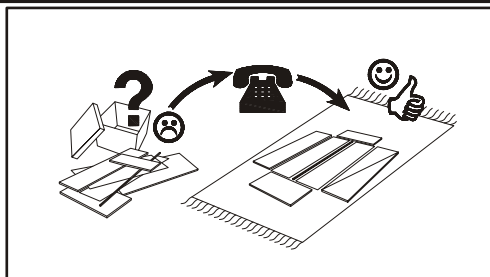
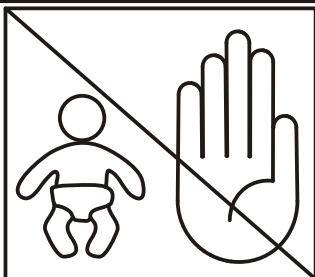
150 min

NO	Dim.		Col.-No	Qty
1	876	380	1	1
2	876	380	1	1
3	1890	353	2	1
4	1890	353	2	1
5	1890	333	2	1
6	507	333	3	2
7	281	333	1	2
8	281	318	1	4
9	1596	496	3	1
10	496	283	3	1
11	1883	270	3	1
12	300	200	1	1
13	300	200	1	1

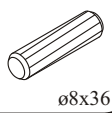

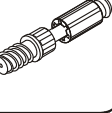
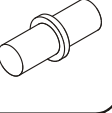
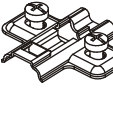
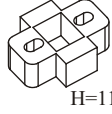

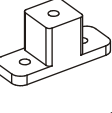

NO	Dim.		Col.-No	Qty
14	442	186	1	1
15	304	454	1	1
16	1890	49	2	2
17	1890	43	2	2
18	874	72	1	1
19	840	72	1	1
20	363	72	1	1
21	363	72	1	1
22	1902	521	3	1
23	1902	295	3	1
24	929	67	1	1
25	406	67	1	1
26	406	67	1	1

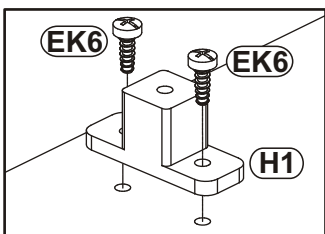
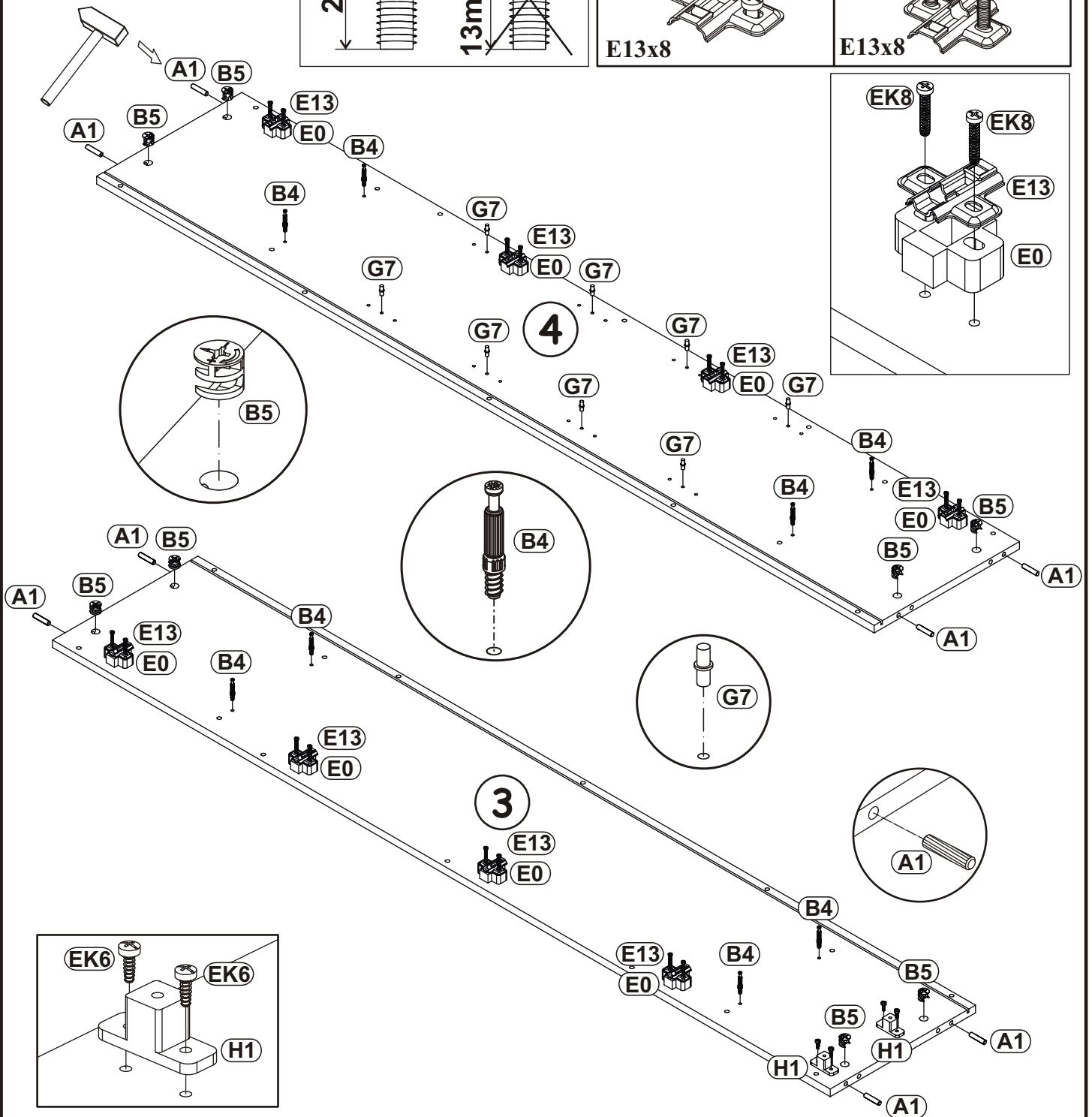
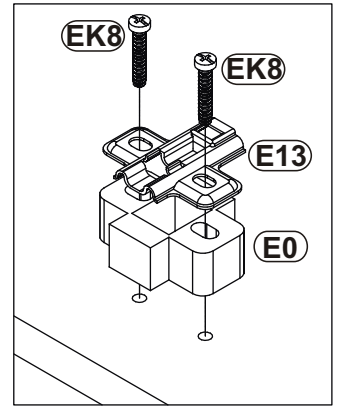
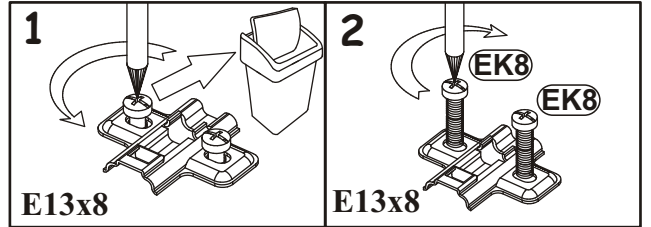
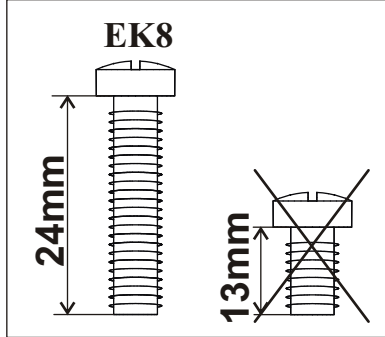
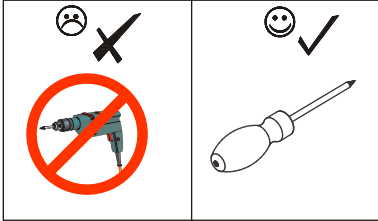




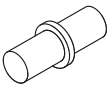
A1 x44 ø8x36	B4 x35	B5 x43 ø15x12	G5 x43	B11 x4 Ø7x50	B14 x20 Ø7x30
E17 x8 H=16	E13 x8	E0 x8 H=11	EK8 x16 EKØ6,3x24	B6 x4 Ø7x76	G4 x24
QU x1 L-300	D20 x4 ESØ6,3x9,5	D10 x22 USØ3,5x13	H1 x2	EK6 x4 EKØ6,3x13	G7 x16
C19 x3	D34 x2 M4x16	D4 x4 M4x30	G16 x13	UP13 x33 UPØ3x16	C6 x1 L=260
I9 x1 H-60 mm.	UP9 x4 UPØ3,5x16	I2 x6	KM1 x1	S1 x21	D9 x7 USØ3x20
L1 x1	KR1 x1	G2 x1	Z2 x2 Ø5		



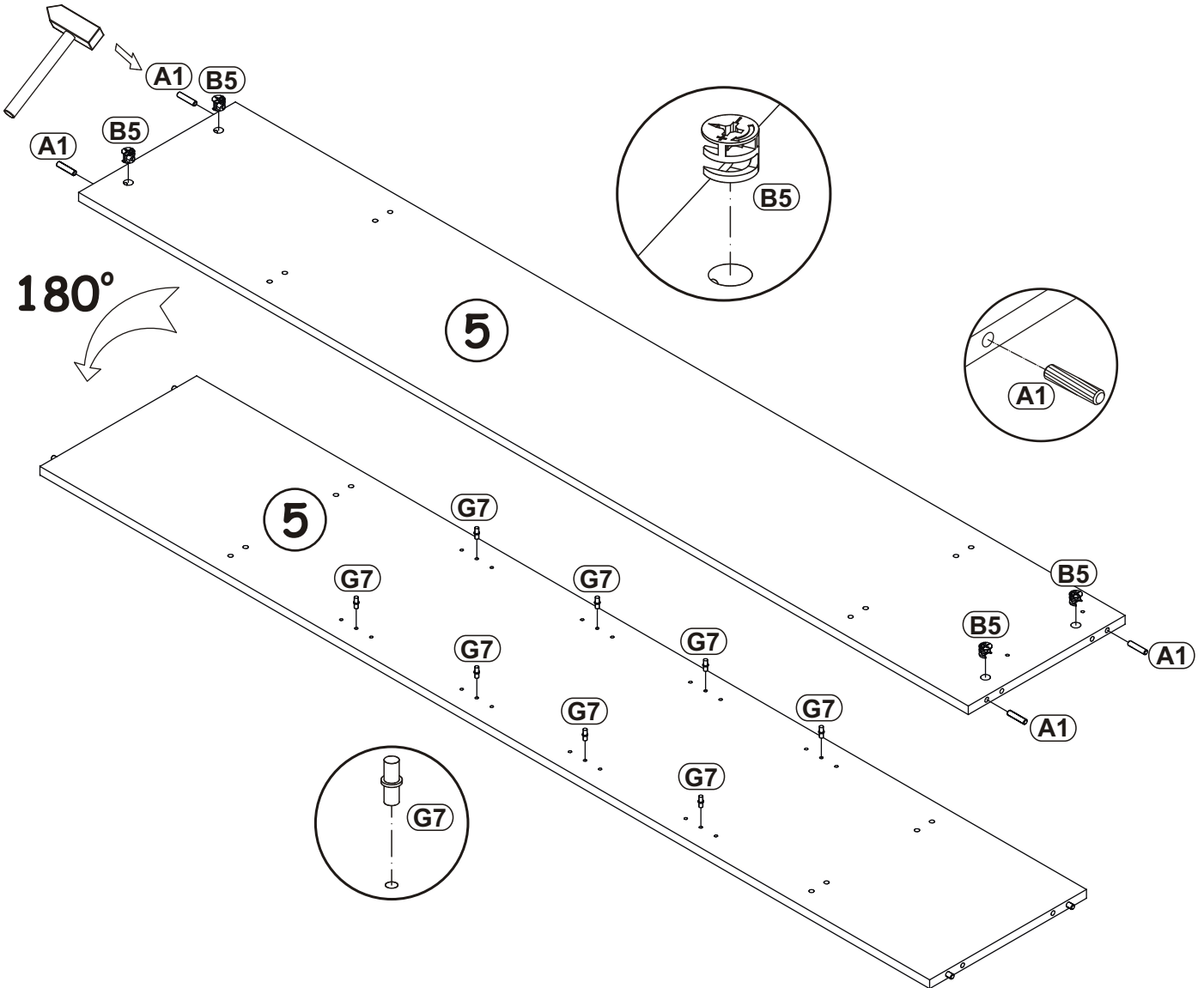
1

A1 x8		B5 x8		B4 x8		G7 x8	
E13 x8		E0 x8		EK8 x16		H1 x2	
						EK6 x4	

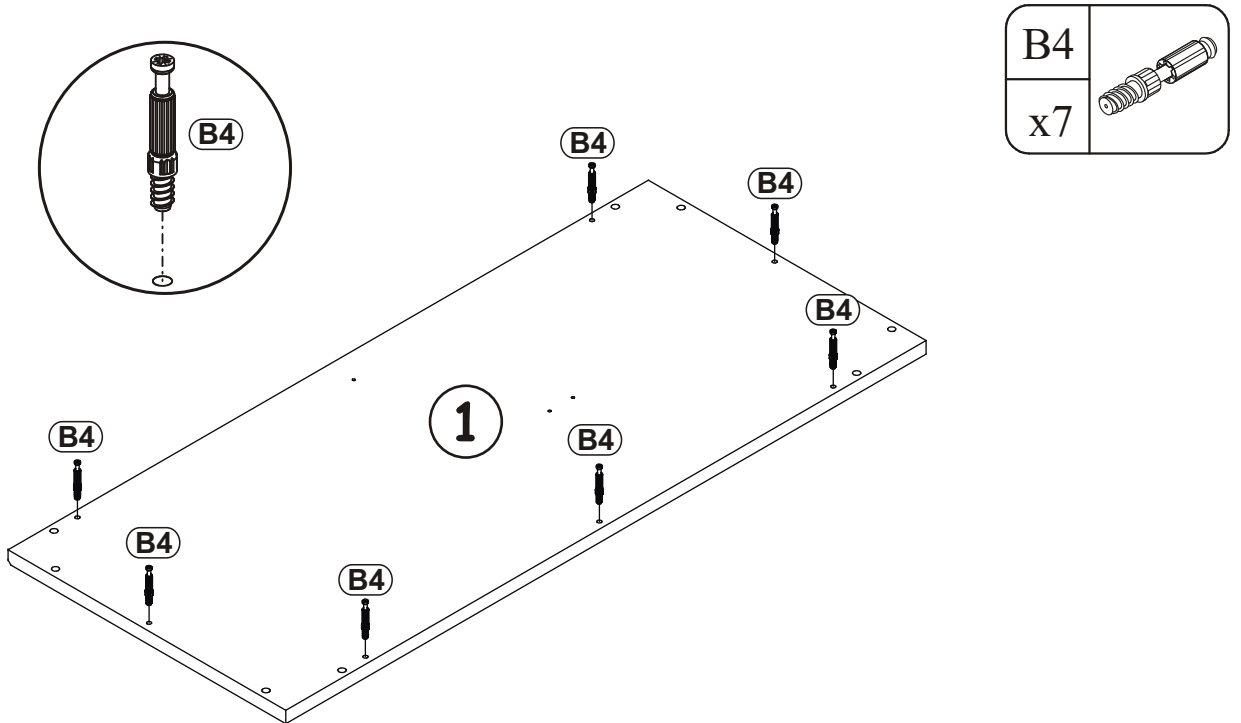


A1		B5		G7	
x4	ø8x36	x4	ø15x12	x8	

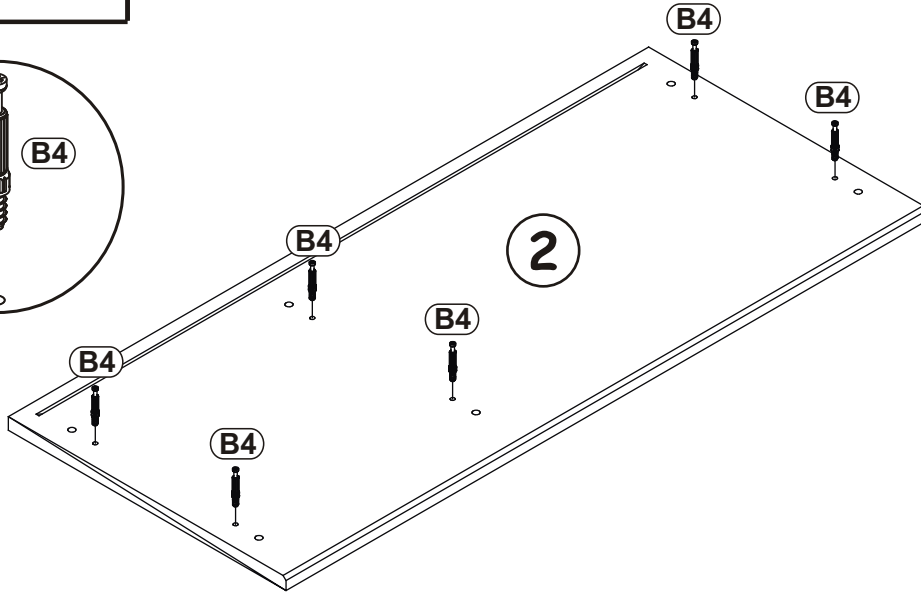
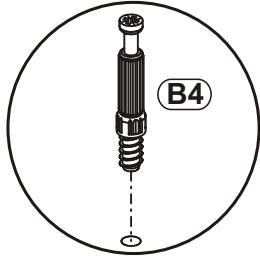
2

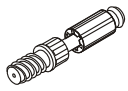


3

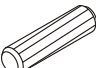


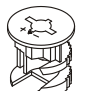
4

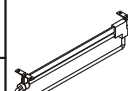



B4	
x6	

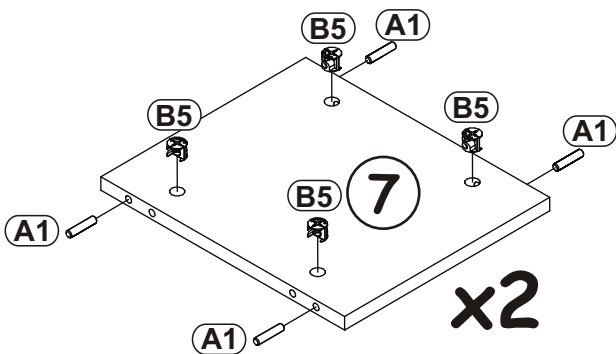
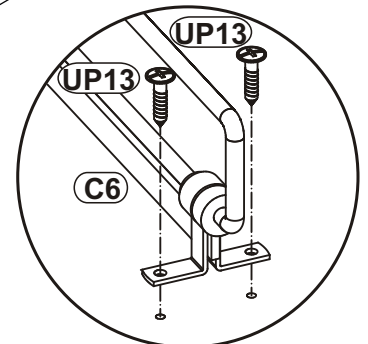
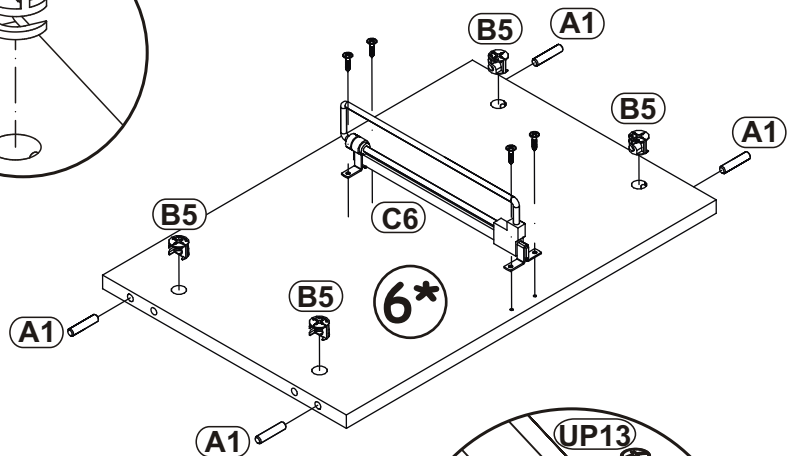
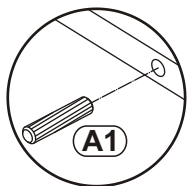
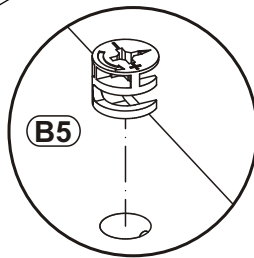
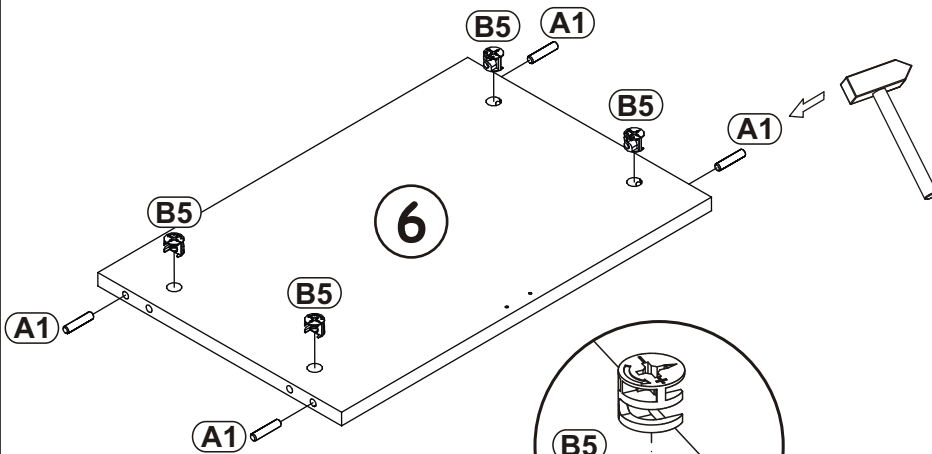
5

A1	
x16	ø8x36

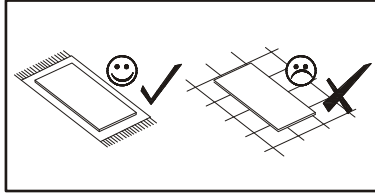
B5	
x16	ø15x12

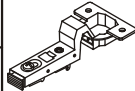
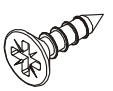
C6	
x1	L=260

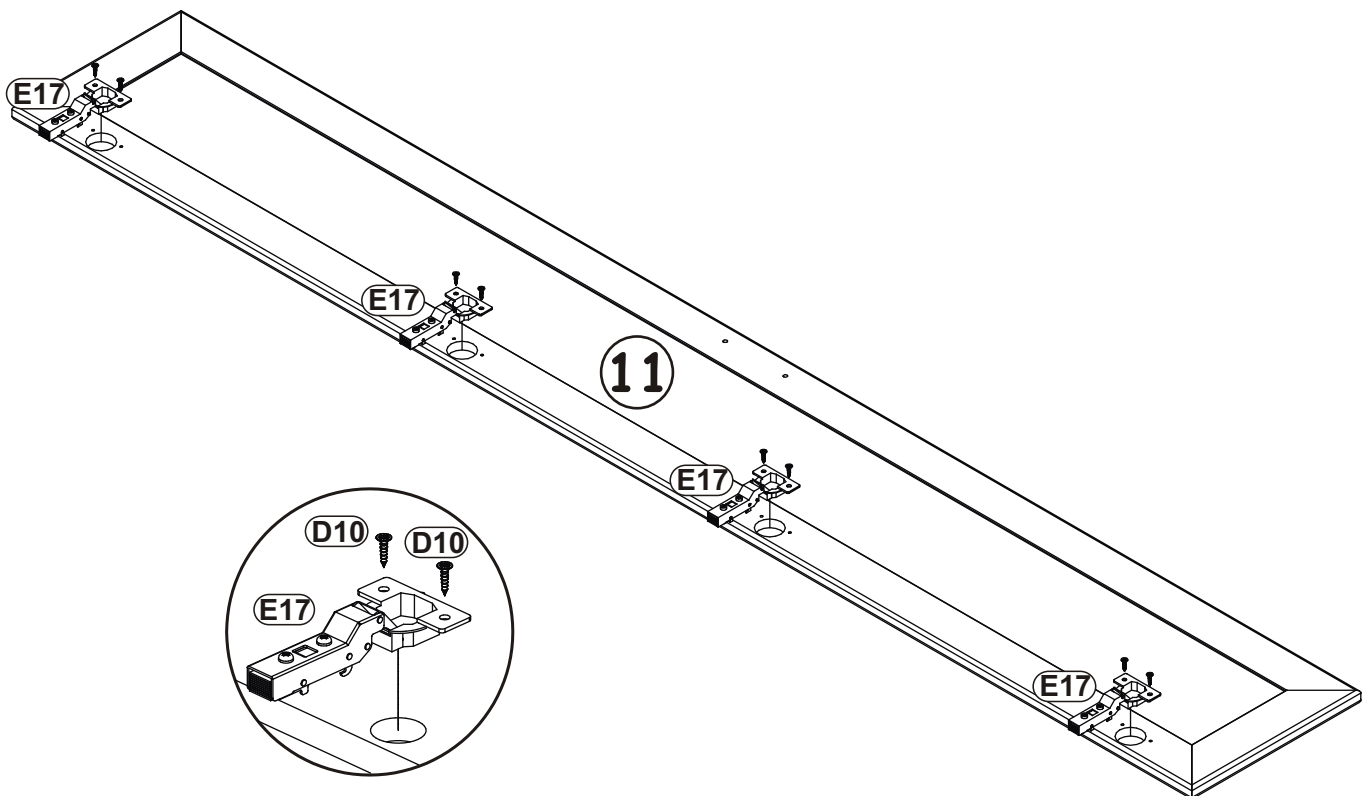
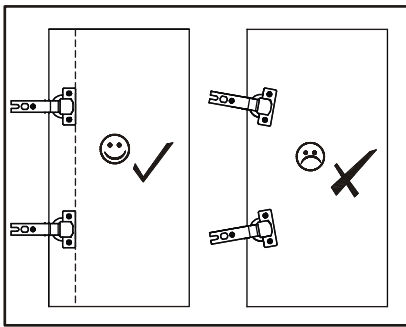
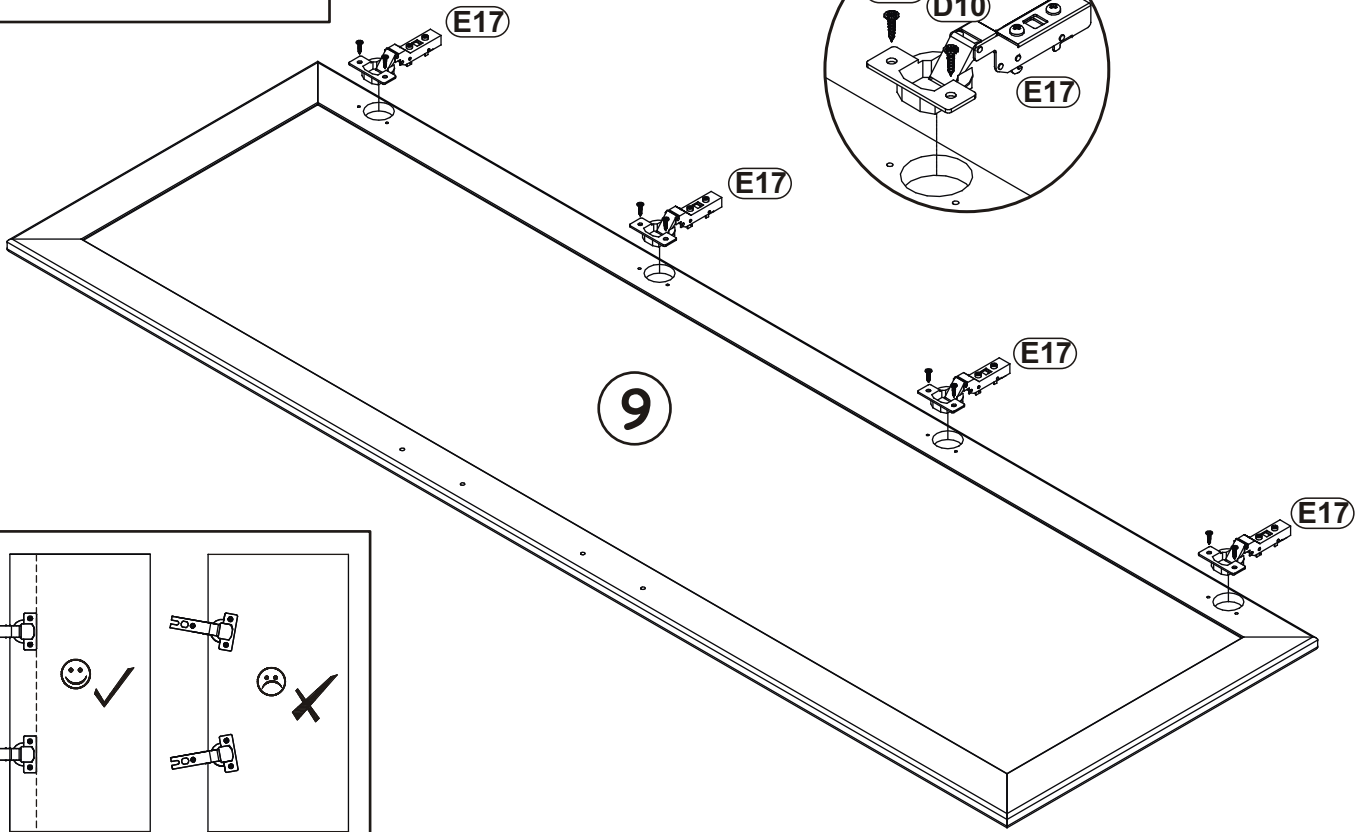
UP13	
x4	UPØ3x16



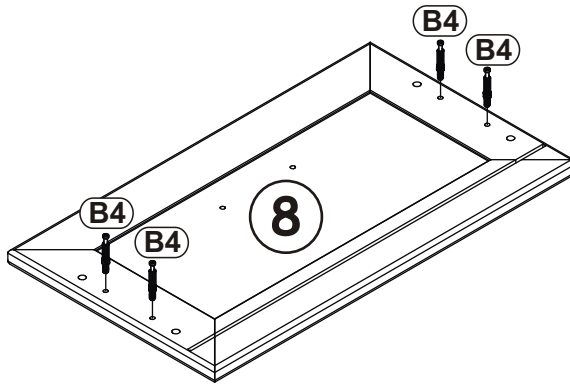
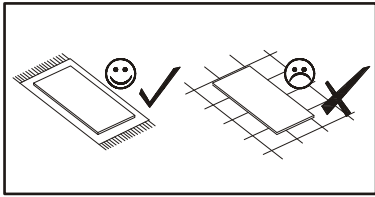
6



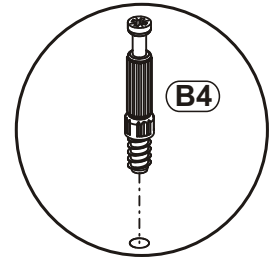
E17		D10	
x8	H=16	x16	US03,5x13



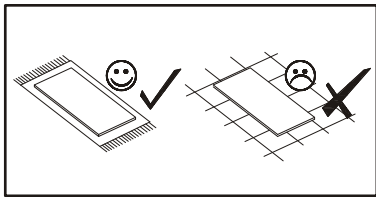
7



B4	
x4	



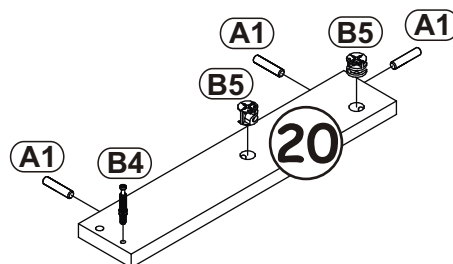
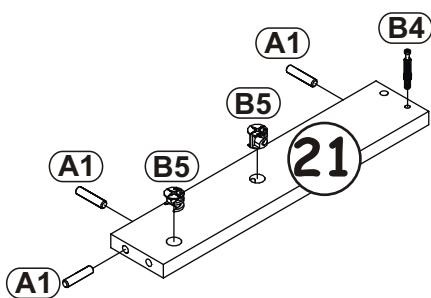
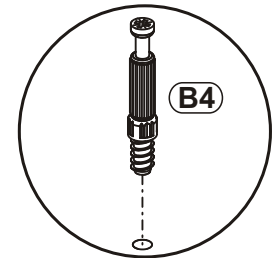
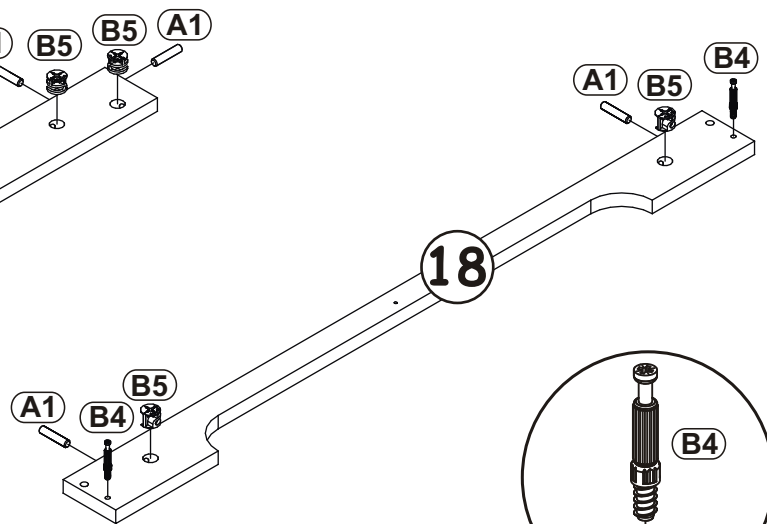
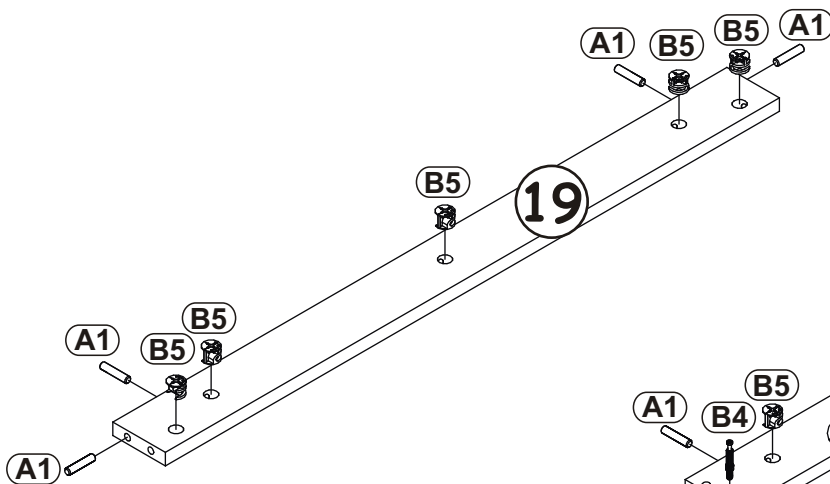
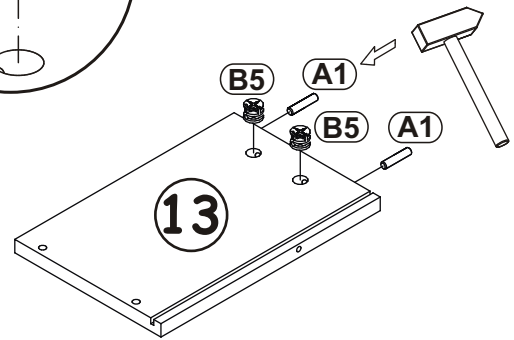
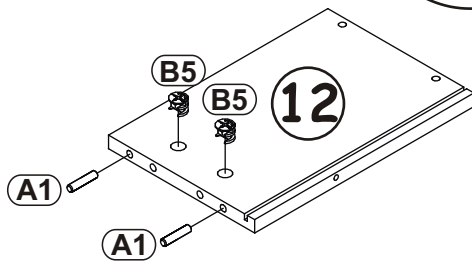
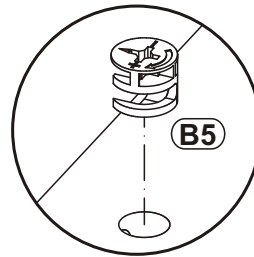
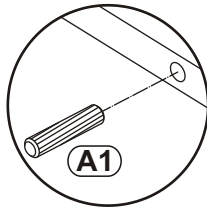
8



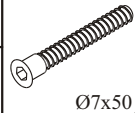

A1	
x16	ø8x36

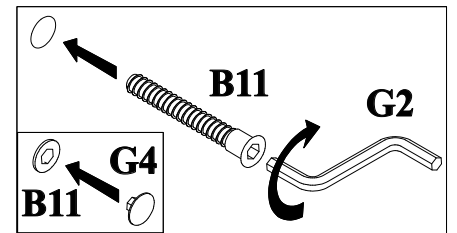
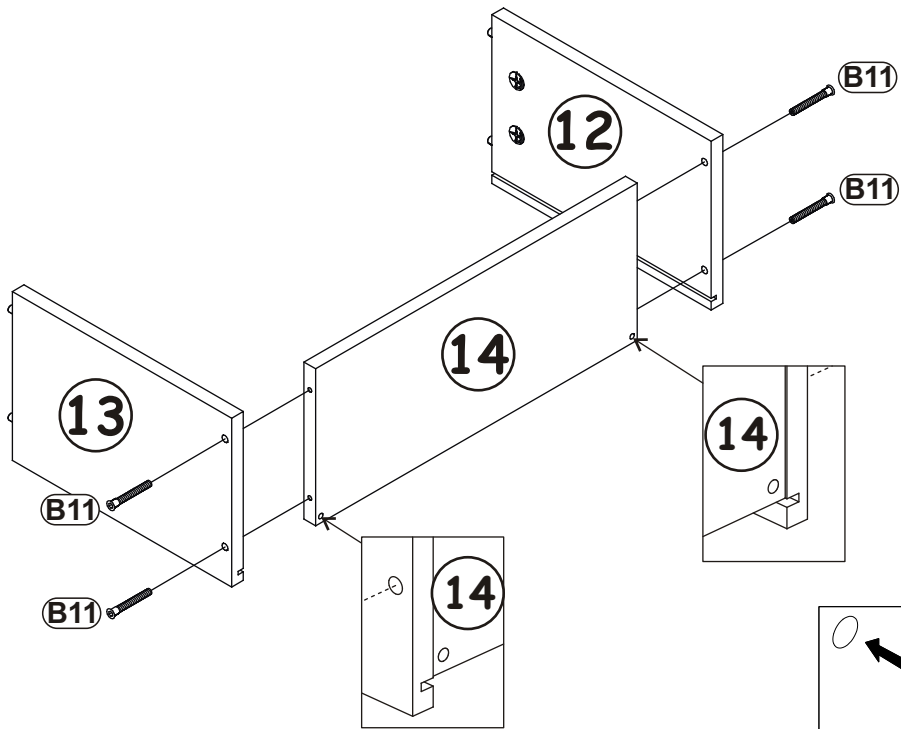
B4	
x4	

B5	
x15	ø15x12




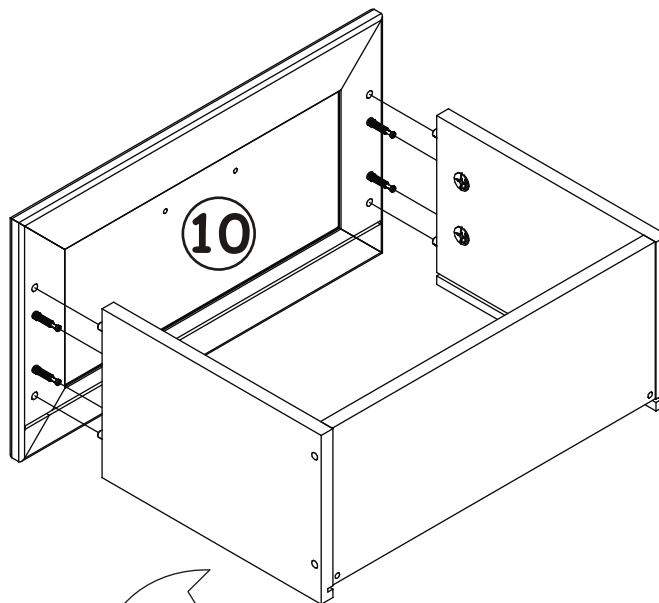
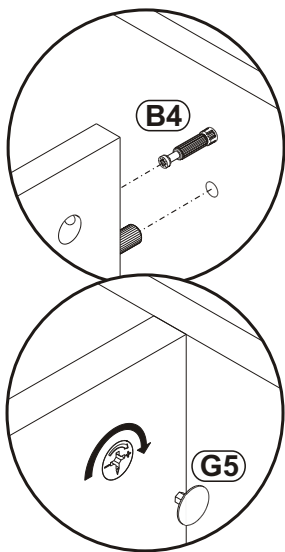
9

B11		G4	
x4	Ø7x50	x4	



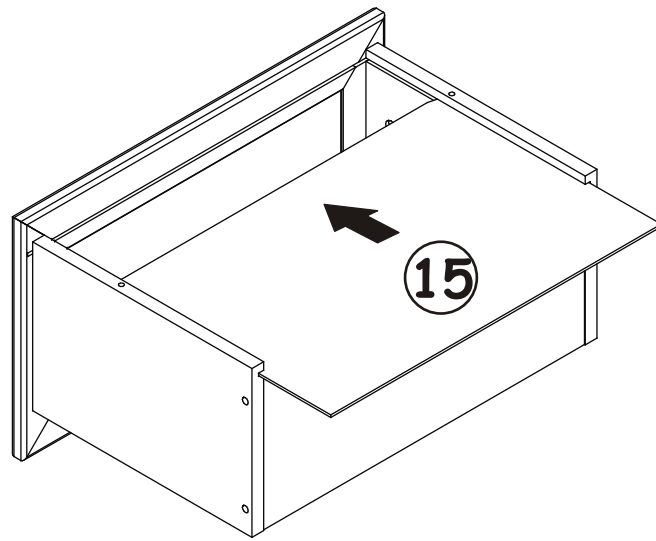
10

G5	
x4	

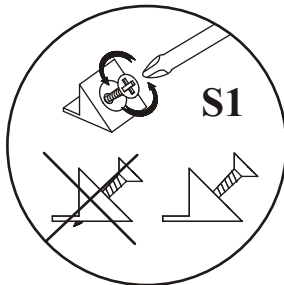
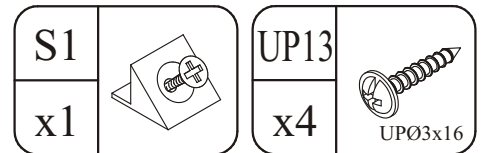


180°

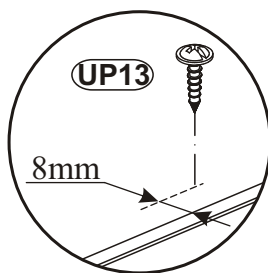
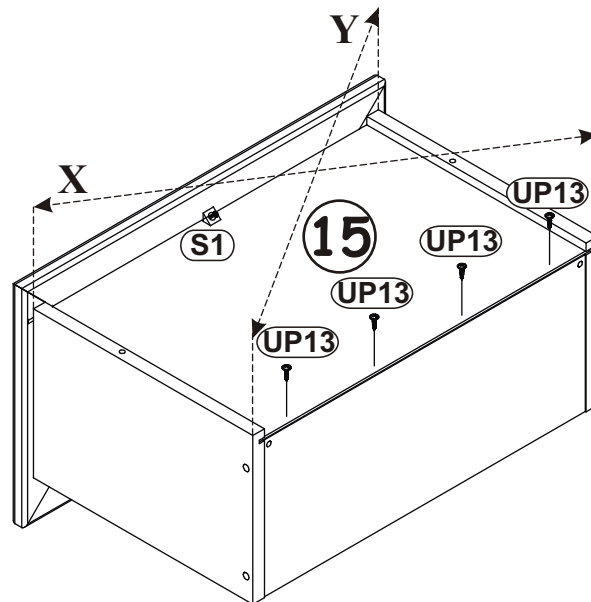
11





12

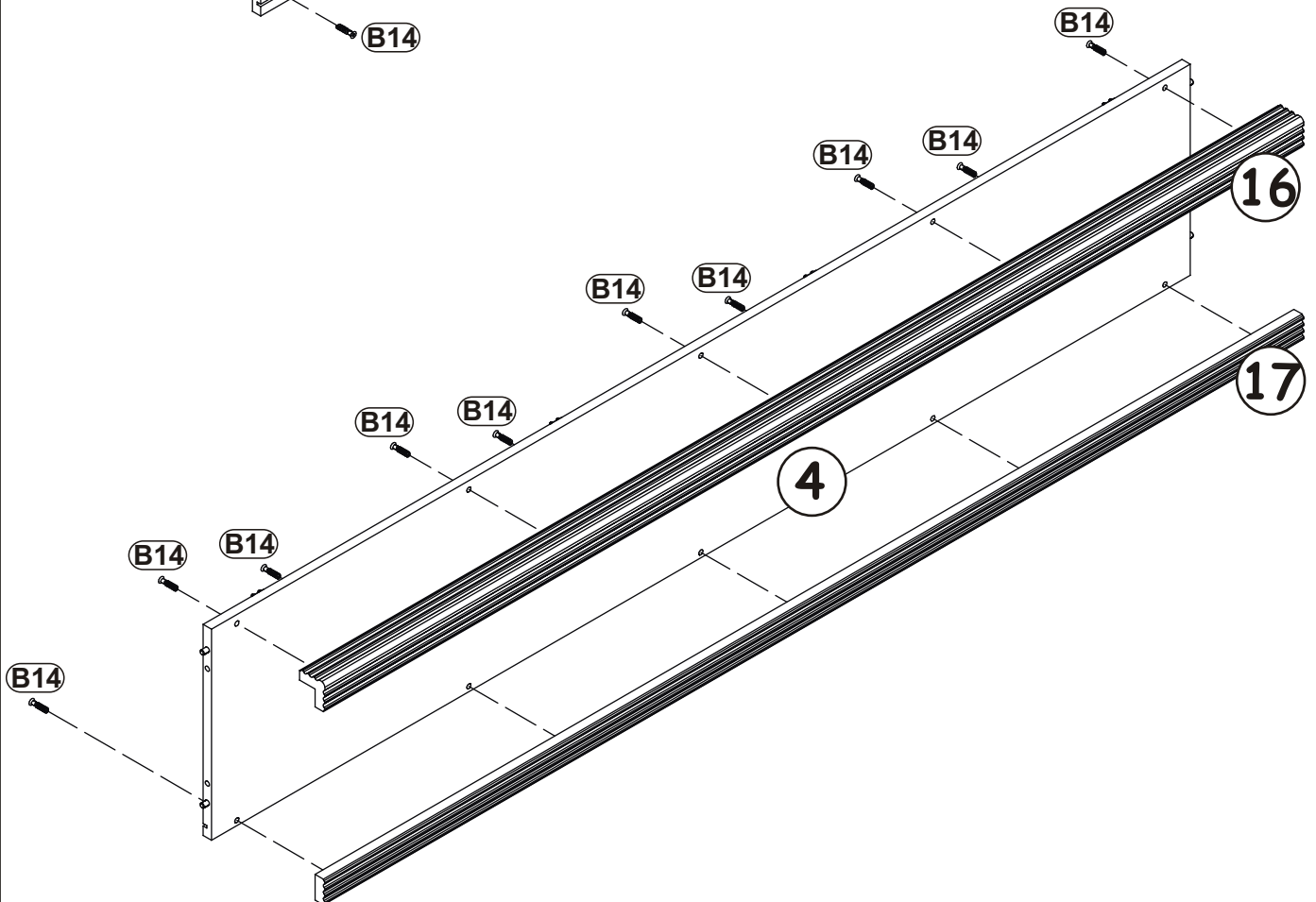
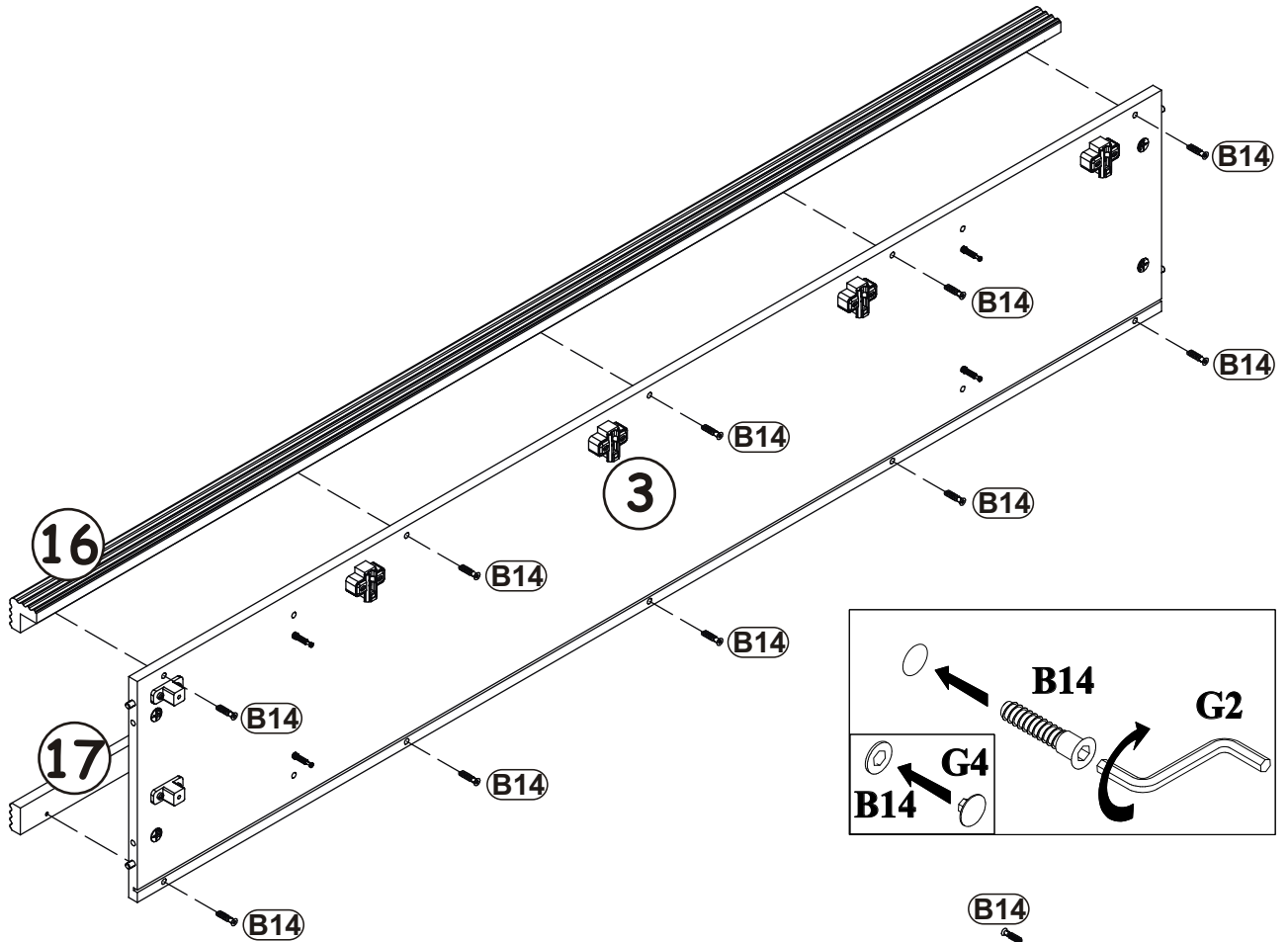


X=Y




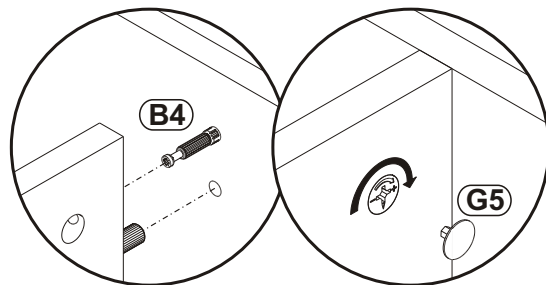
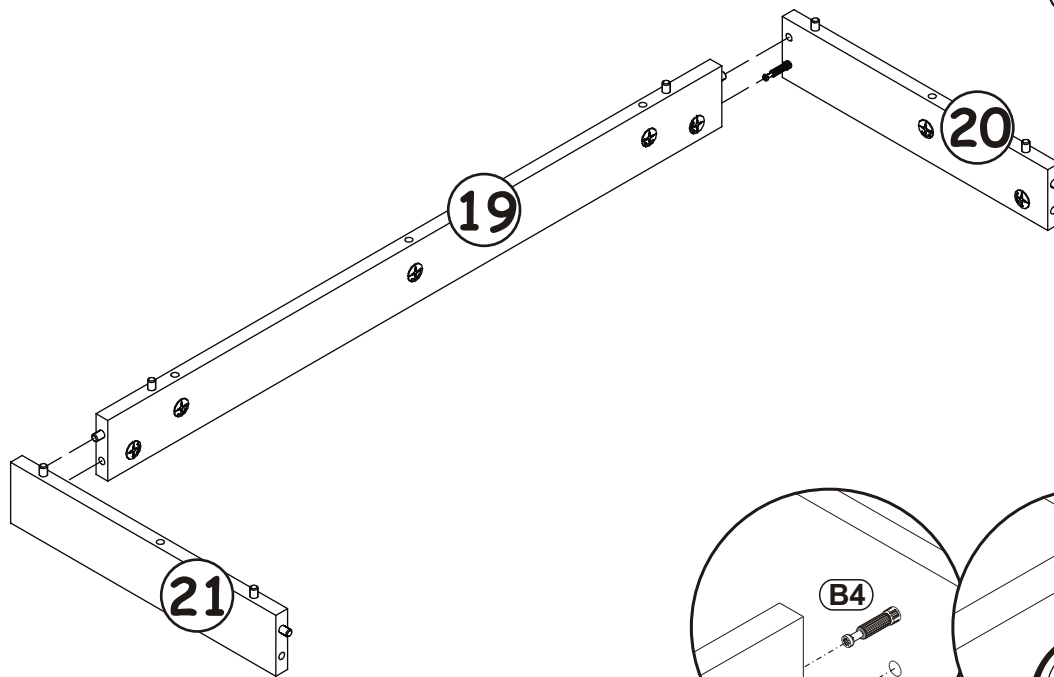
13

B14		G4	
x20	Ø7x30	x20	




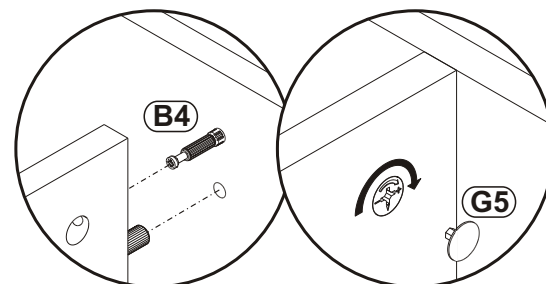
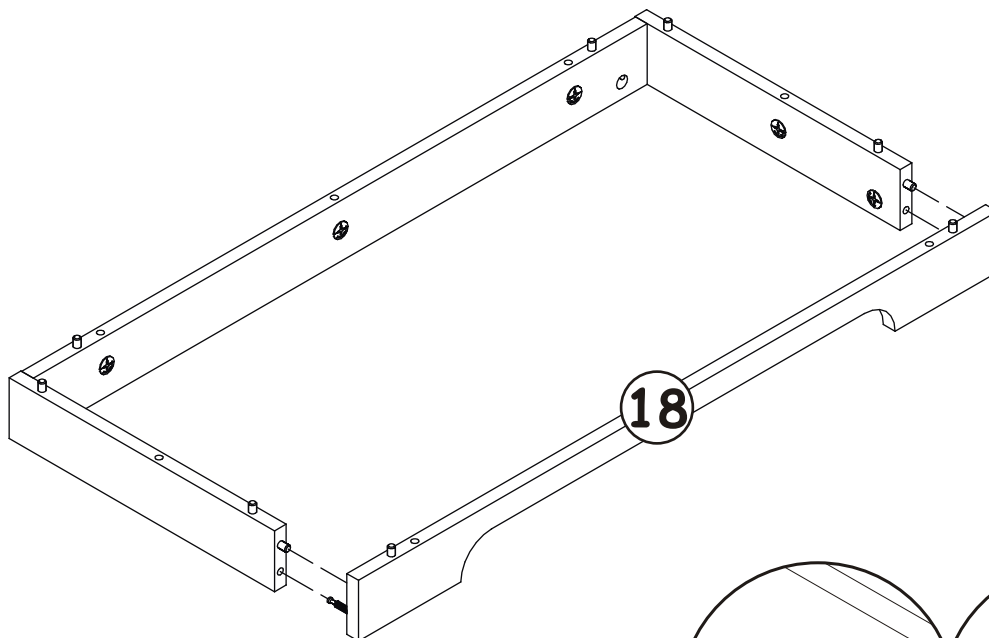
14

G5	
x2	




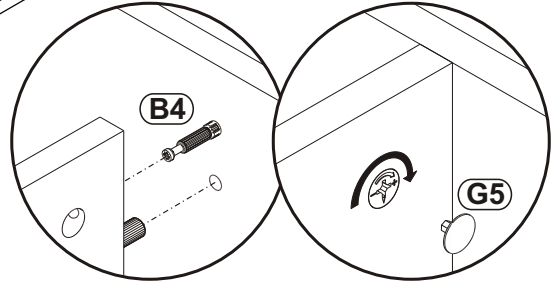
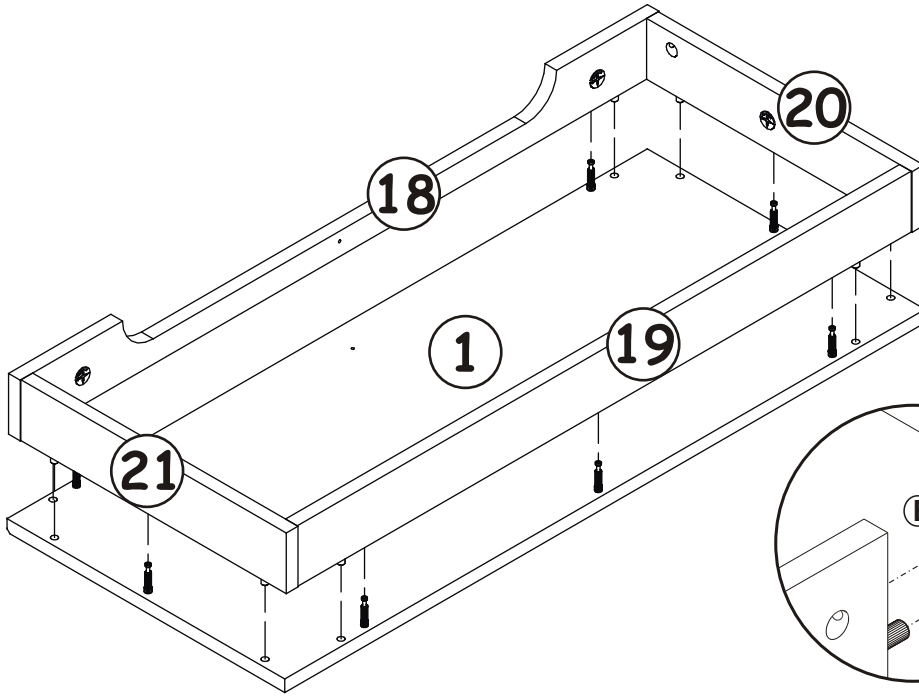
15

G5	
x2	

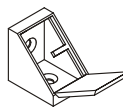


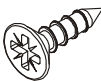
16


G5	
x7	

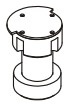


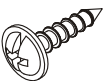
17

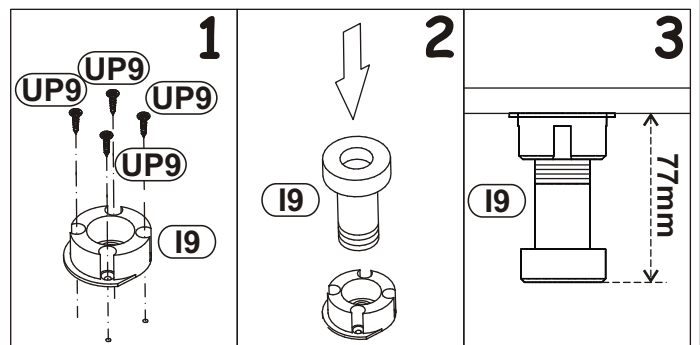
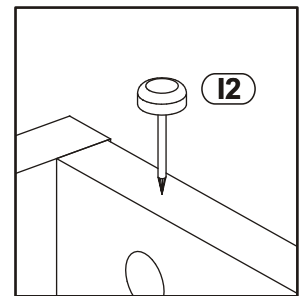
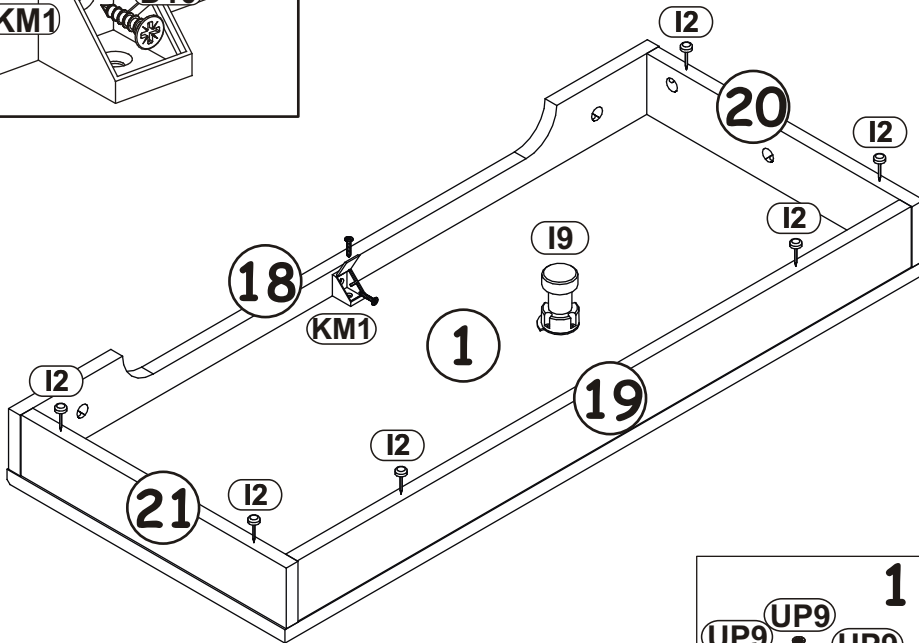
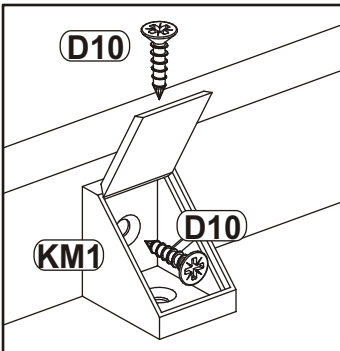
KM1	
x1	

D10	
x2	USØ3,5x13

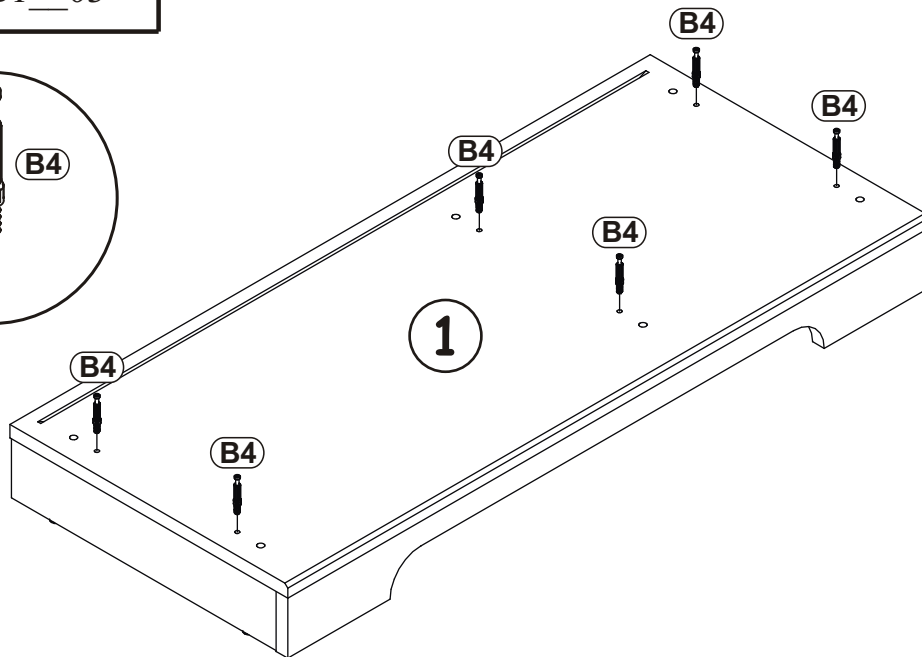
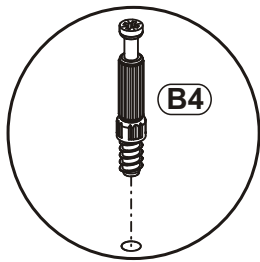
I2	
x6	

I9	
x1	H-60 mm.

UP9	
x4	UPØ3,5x16

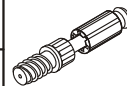


18

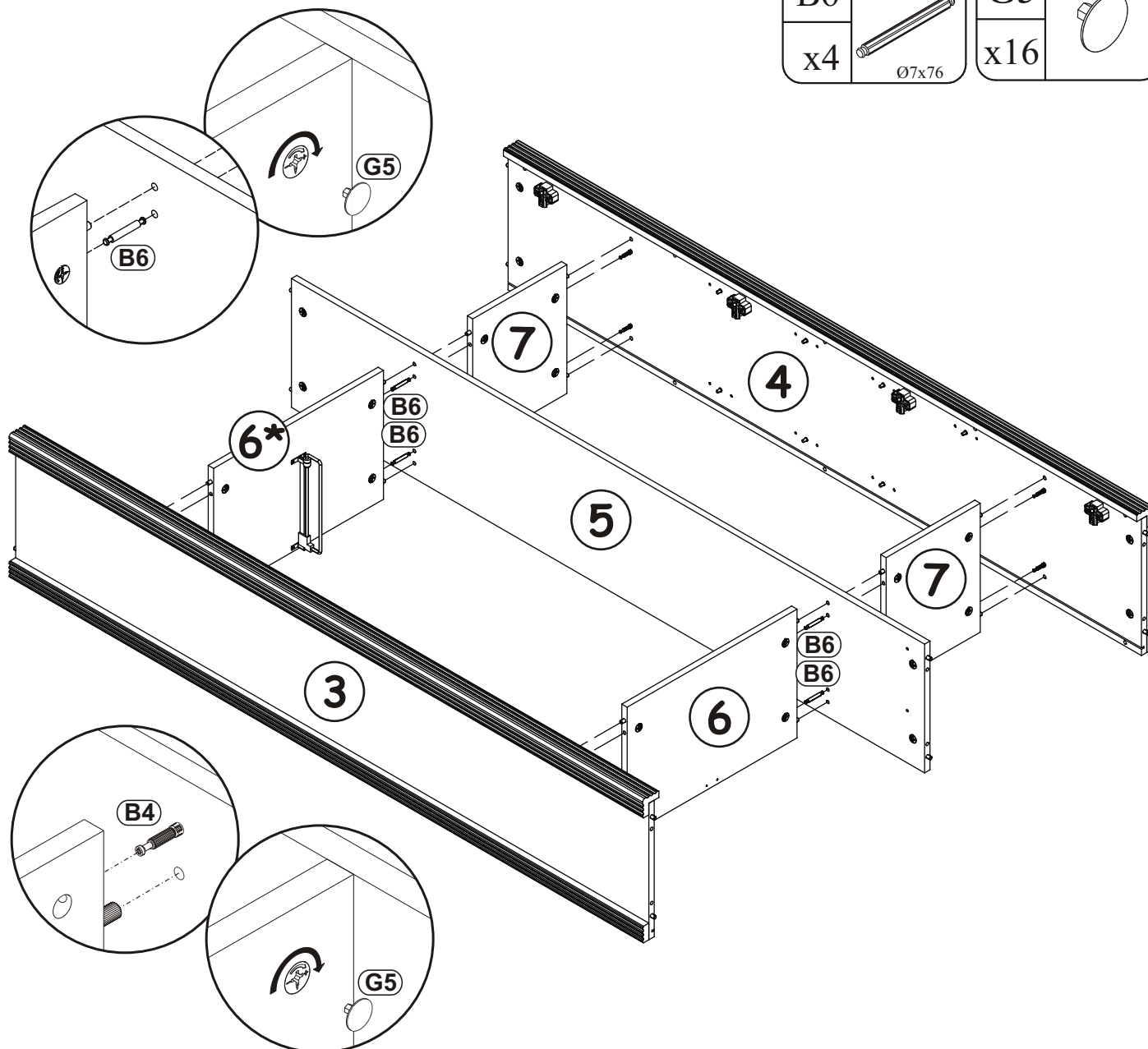
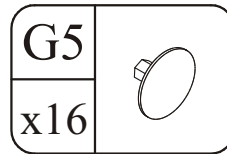
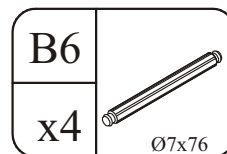



B4

x6

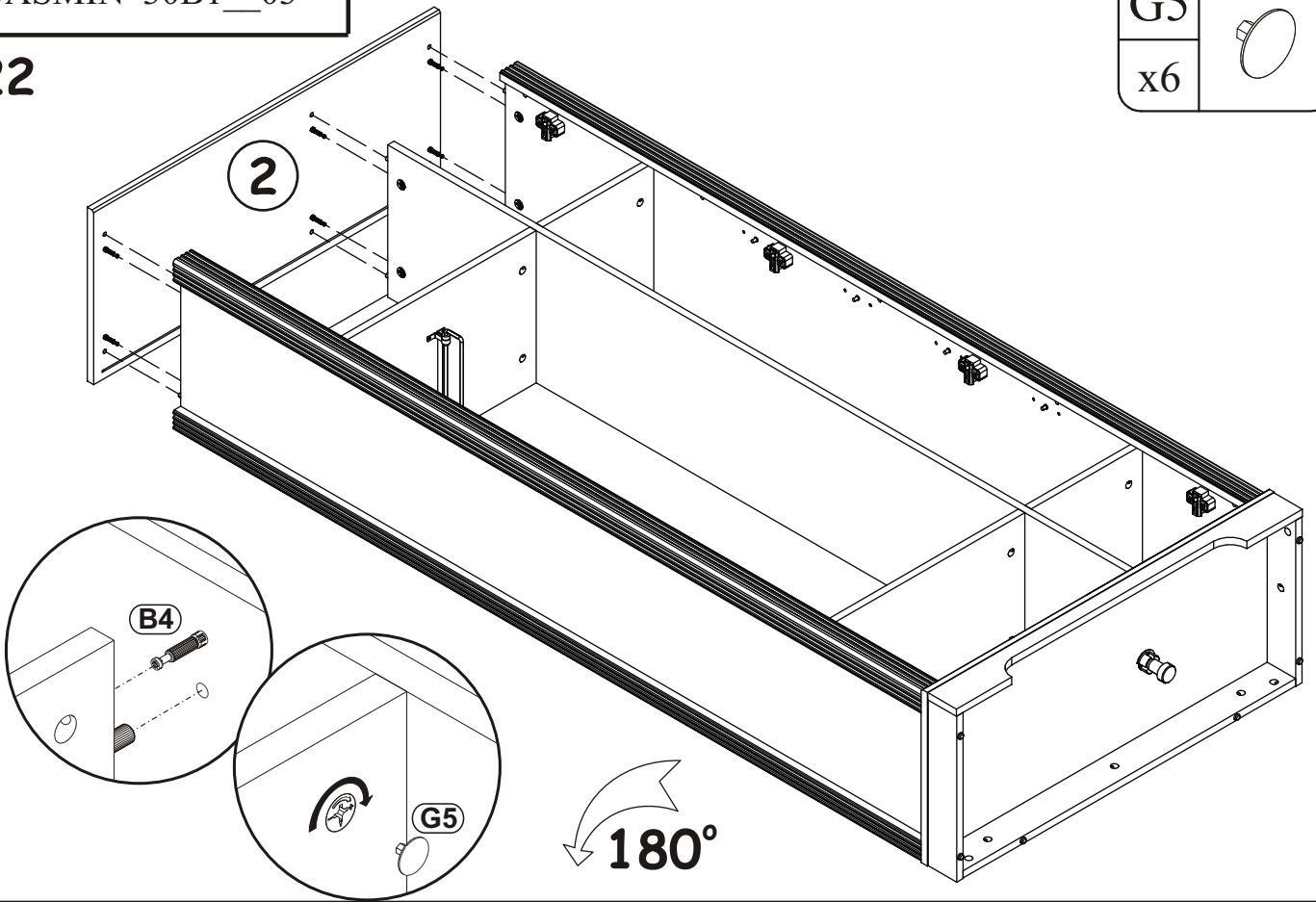


19



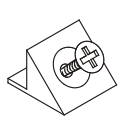
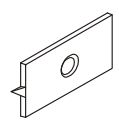

G5	
x6	

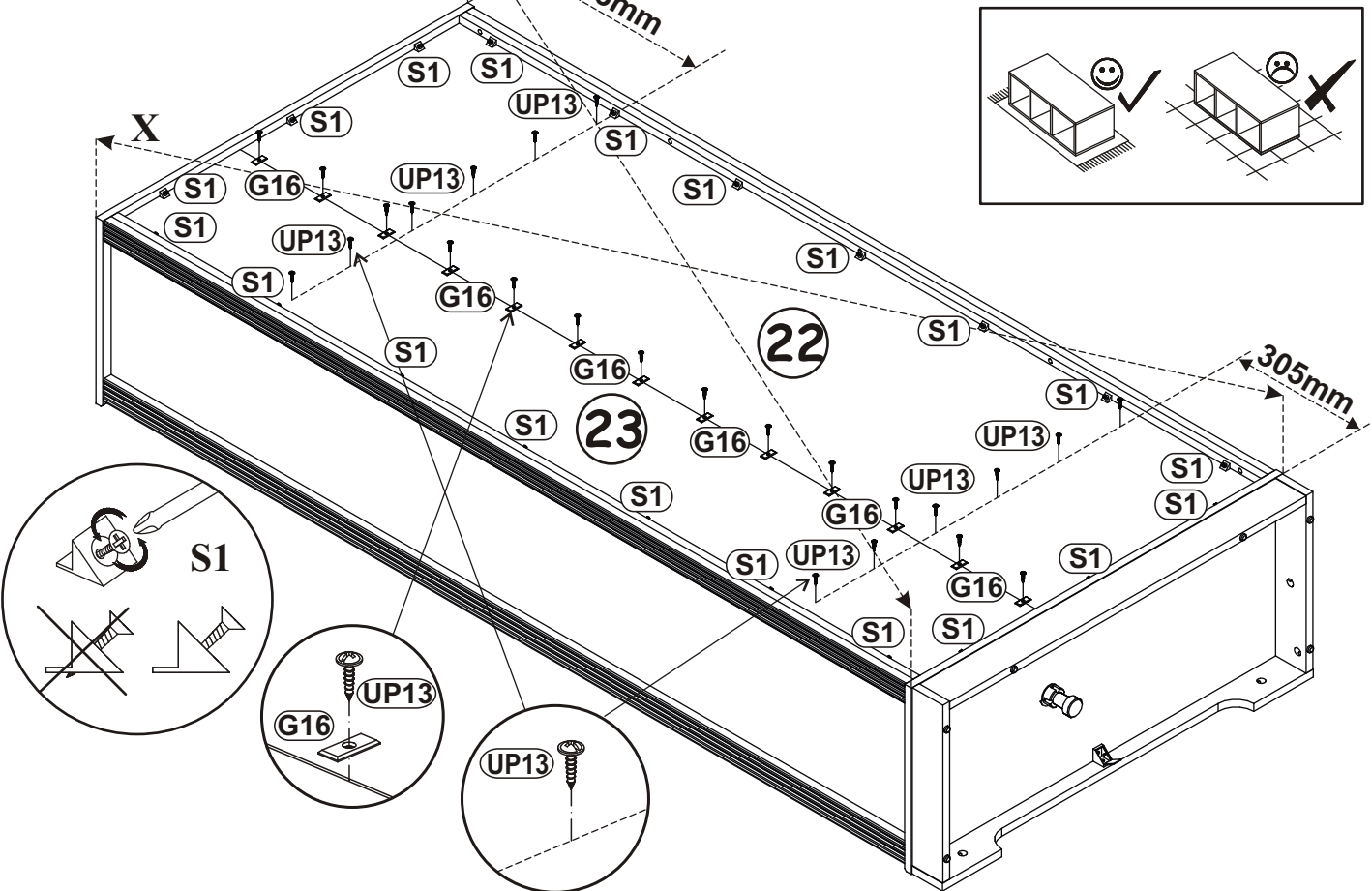
22



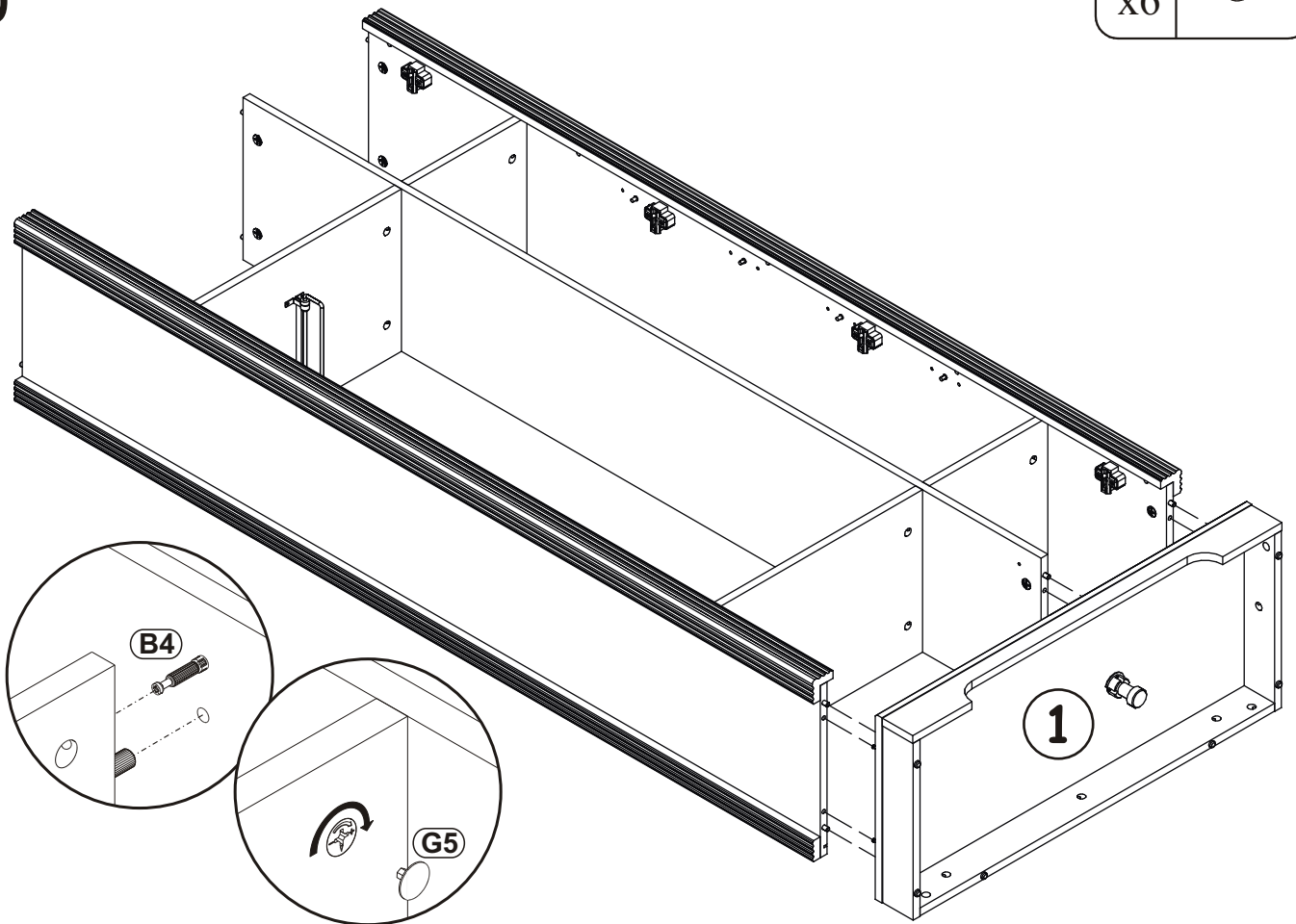
23

X=y 90°

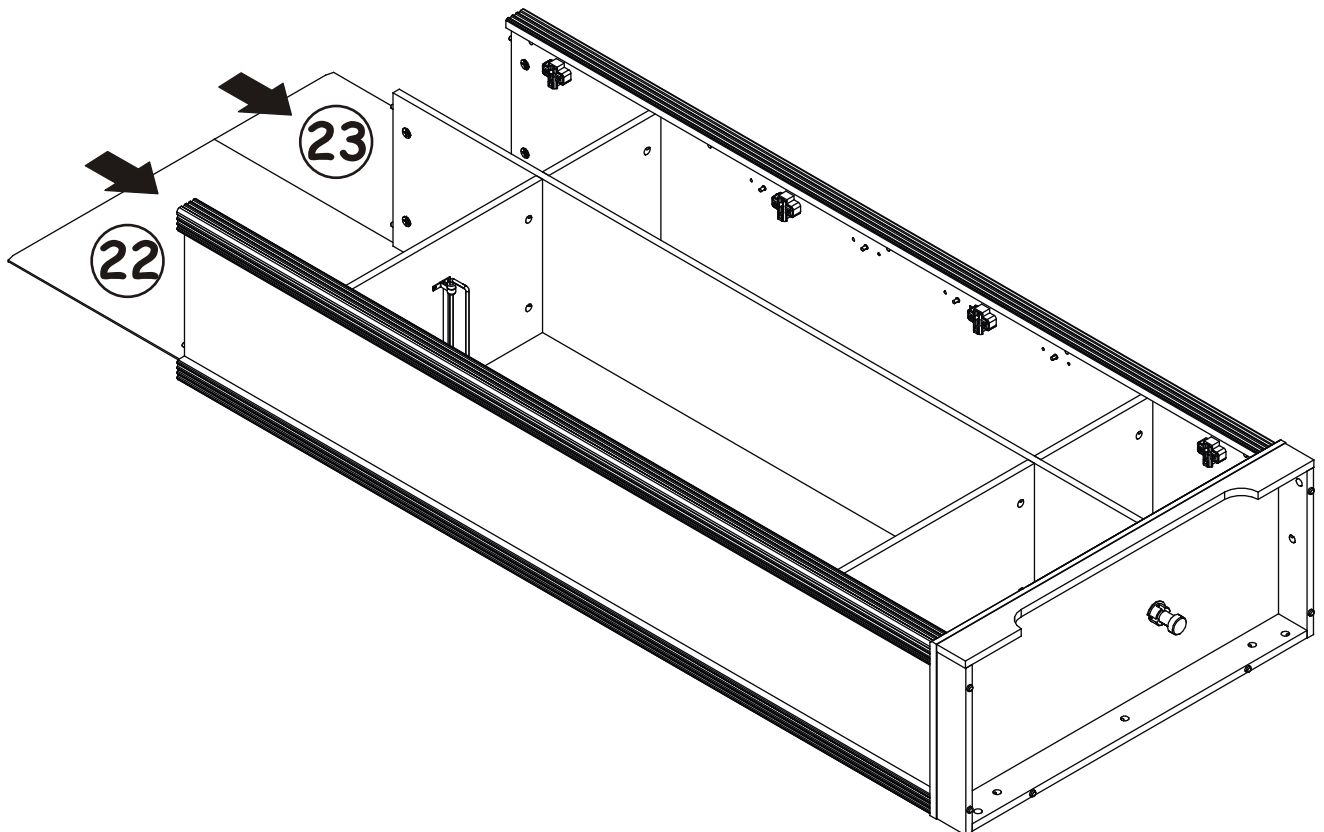
S1		G16		UP13	
x20		x13		x25	UPØ3x16




20

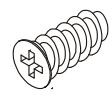


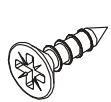
21

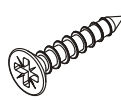


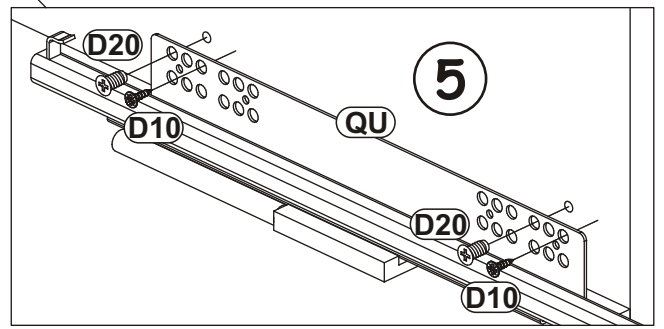
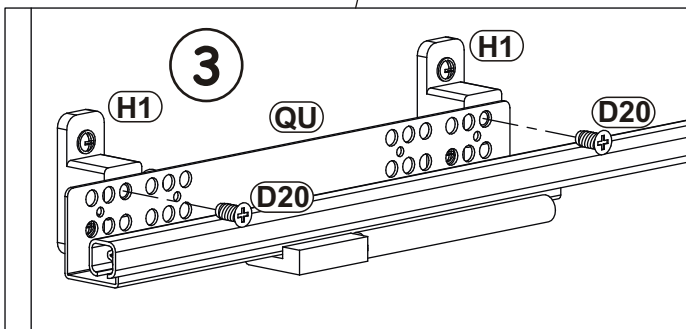
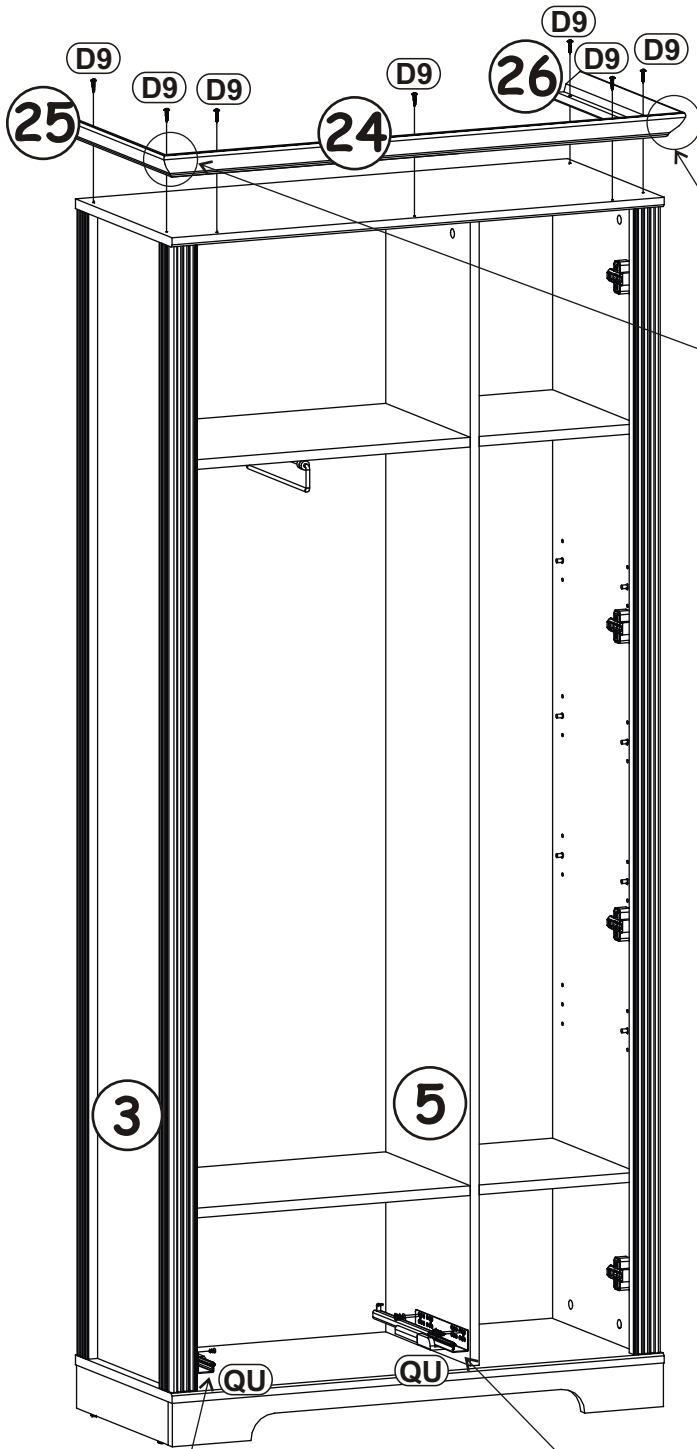
24

QU	
x1	L-300

D20	
x4	ESØ6,3x9,5

D10	
x2	USØ3,5x13

D9	
x7	USØ3x20

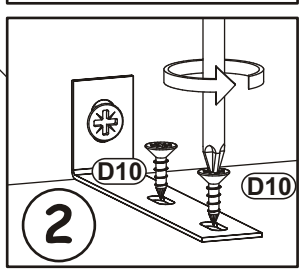
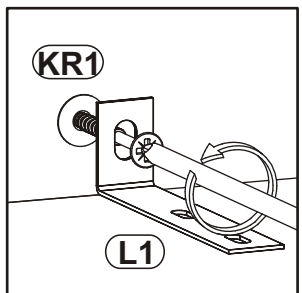
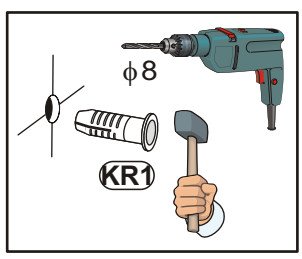
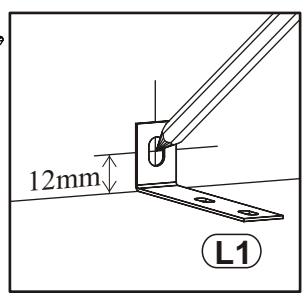
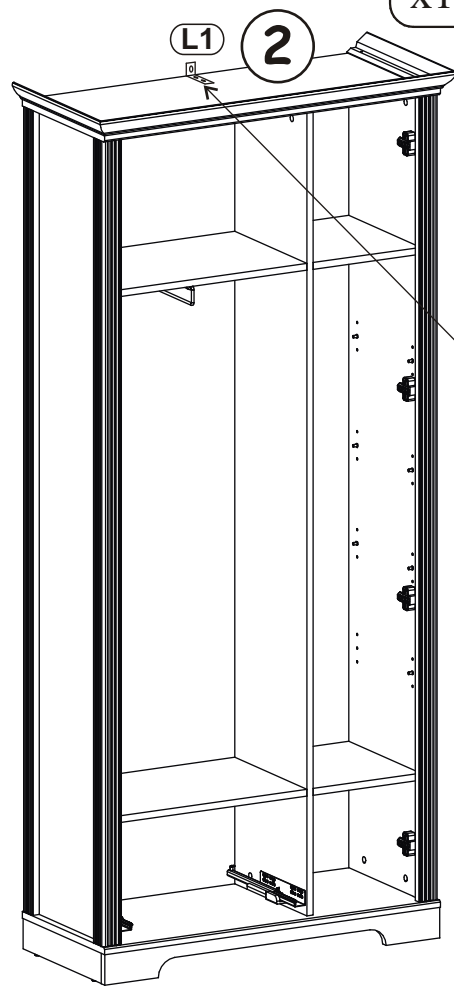
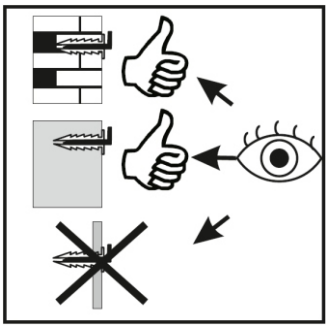


L1
x1

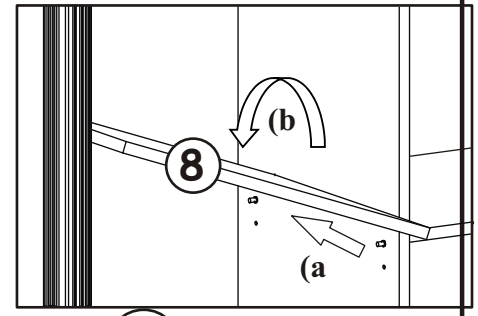
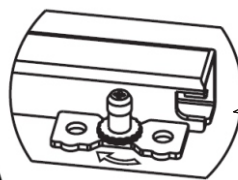
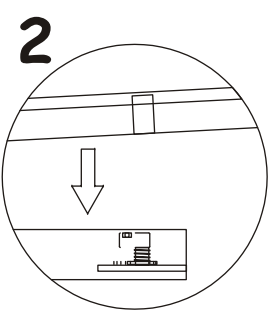
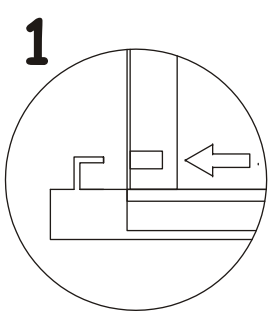
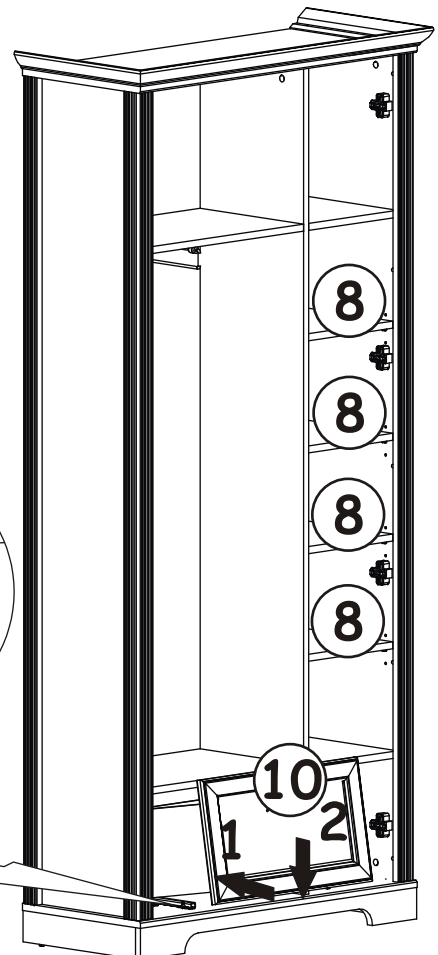
KR1
x1

D10
x2
US03,5x13

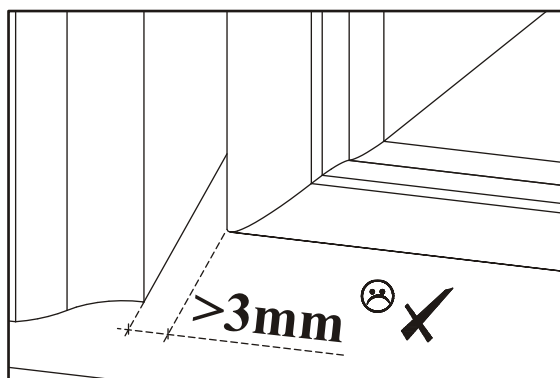
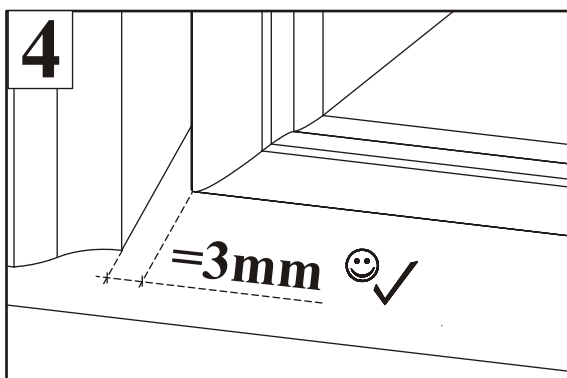
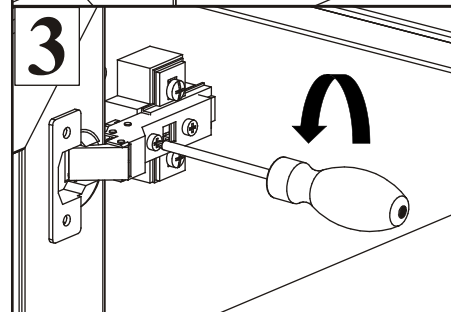
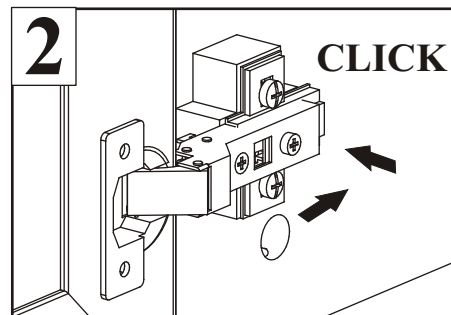
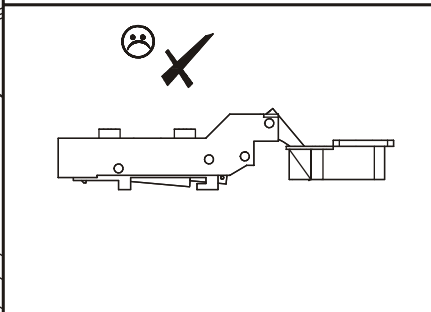
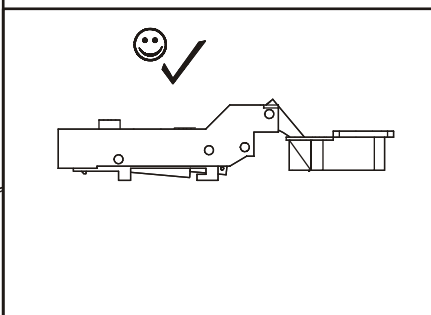
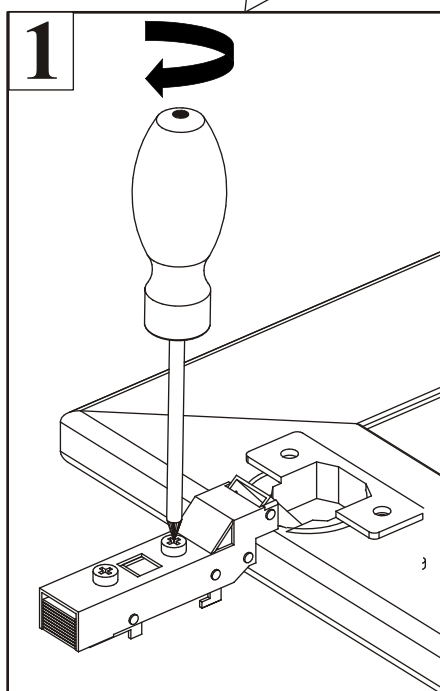
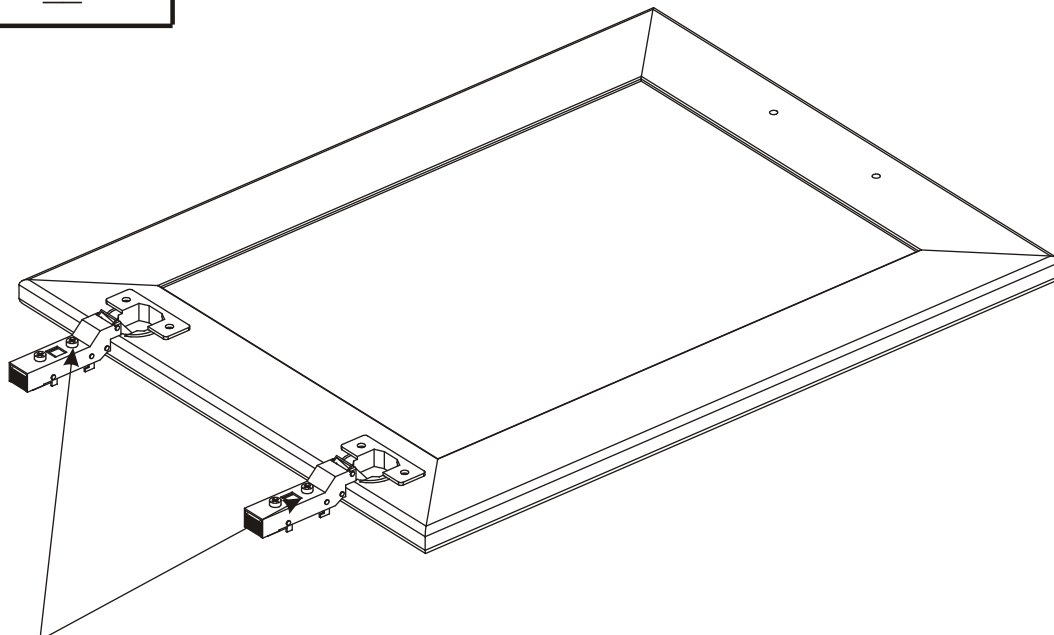
25



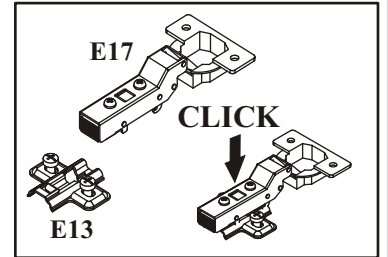
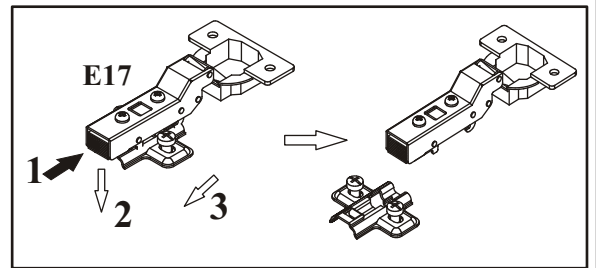
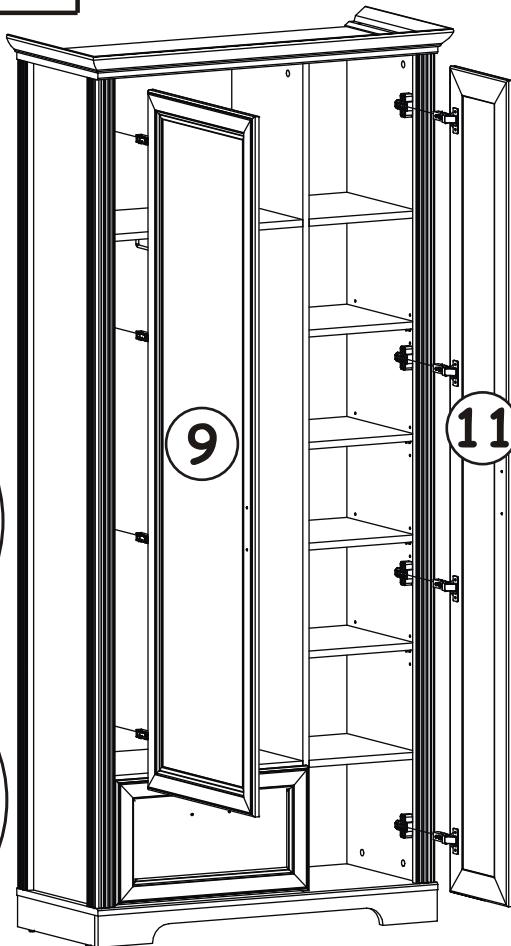
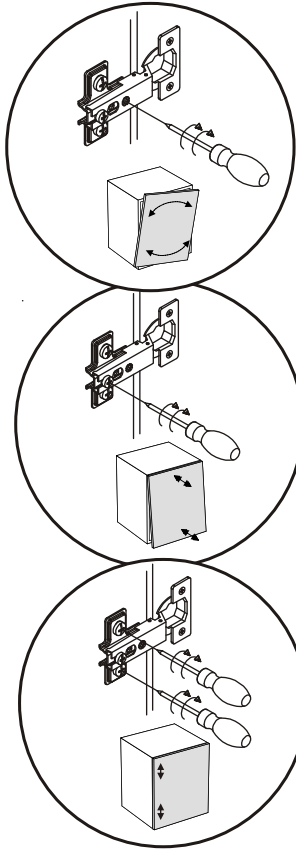
26



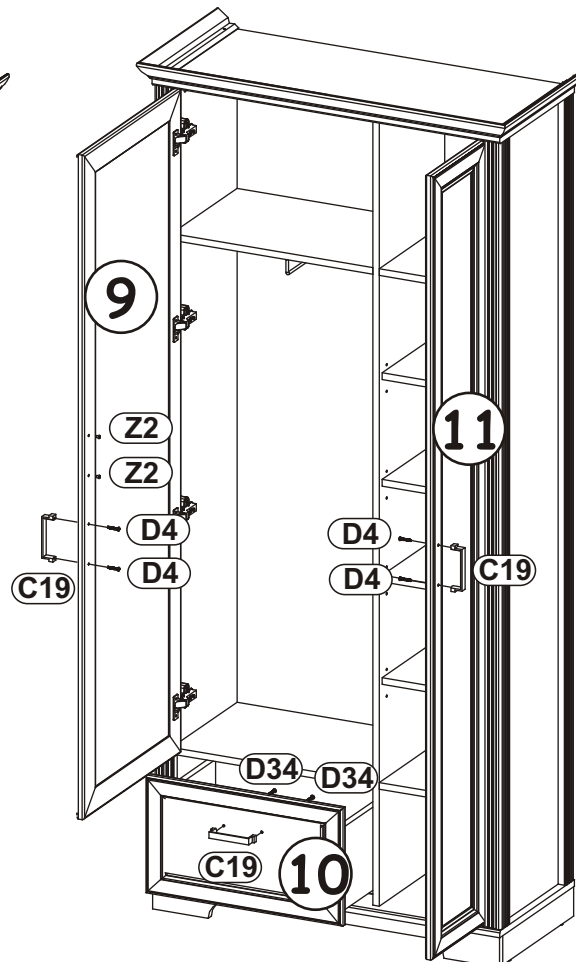
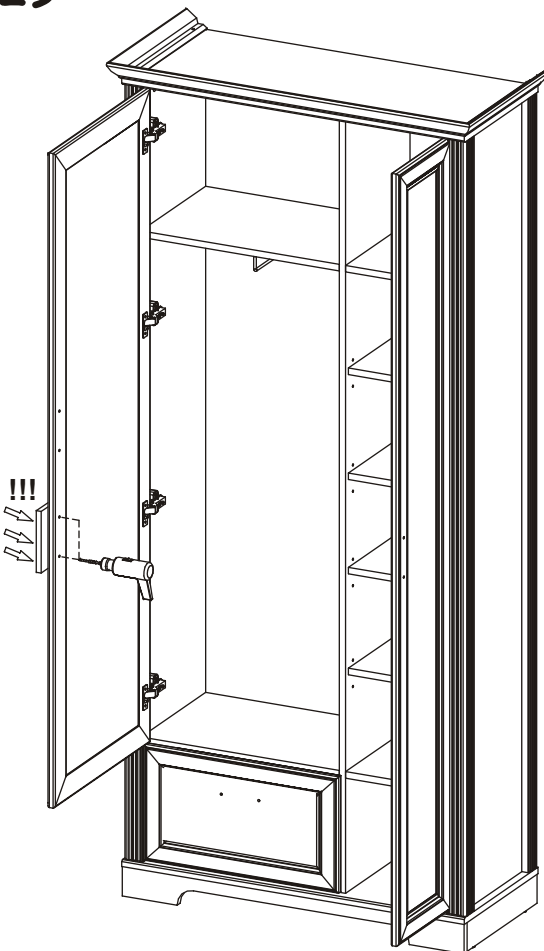
27



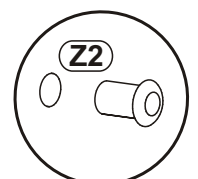
28



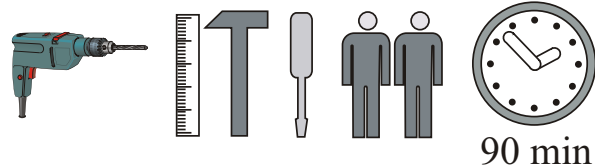
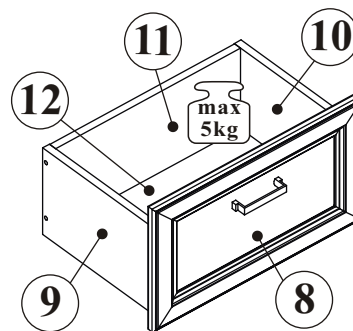
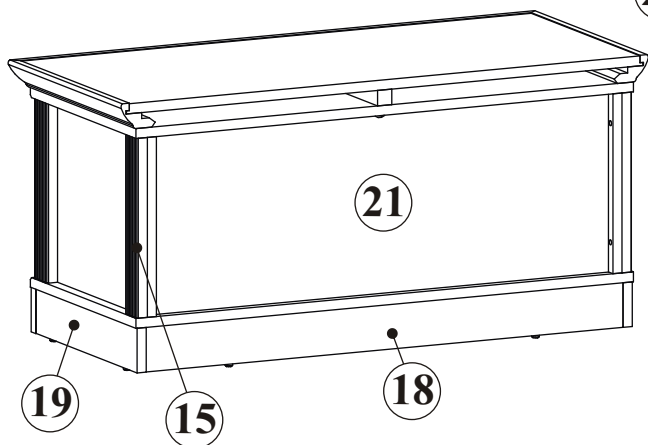
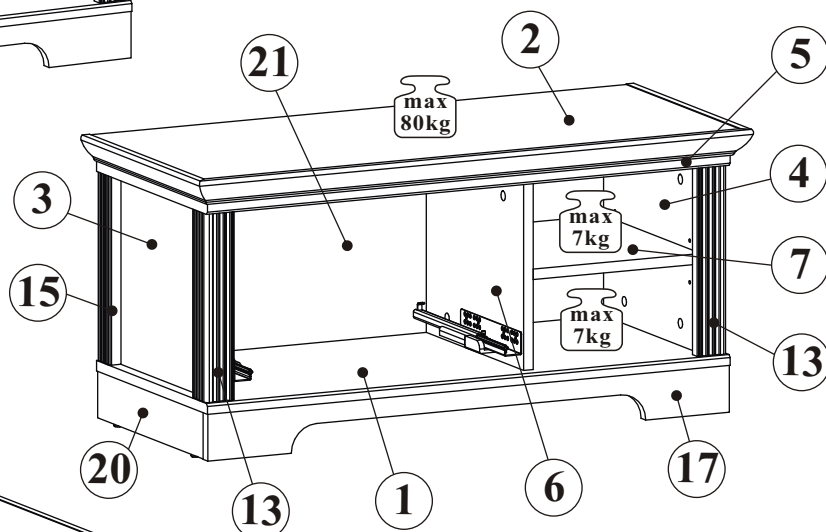
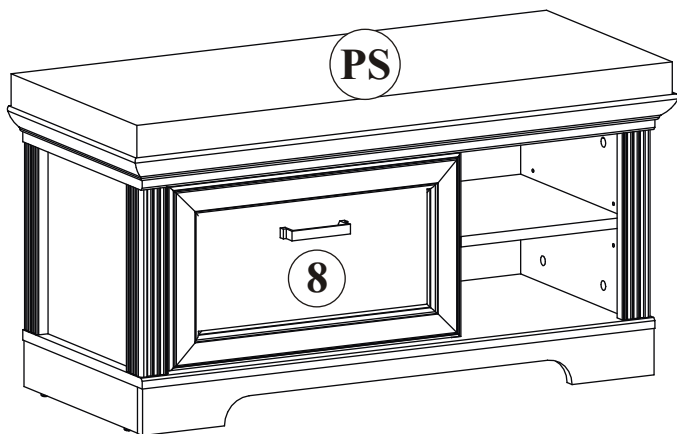
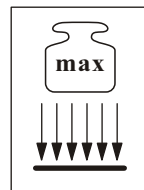
29



C19	
x3	
D34	
x2	M4x16
D4	
x4	M4x30
Z2	
x2	Ø5



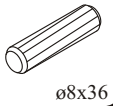
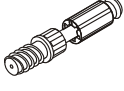


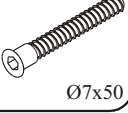



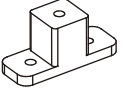



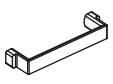

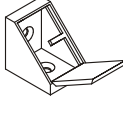

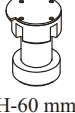

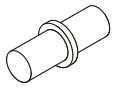

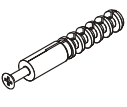

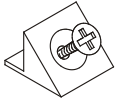
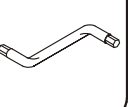
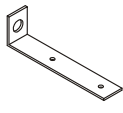
JASMIN 30B1_60

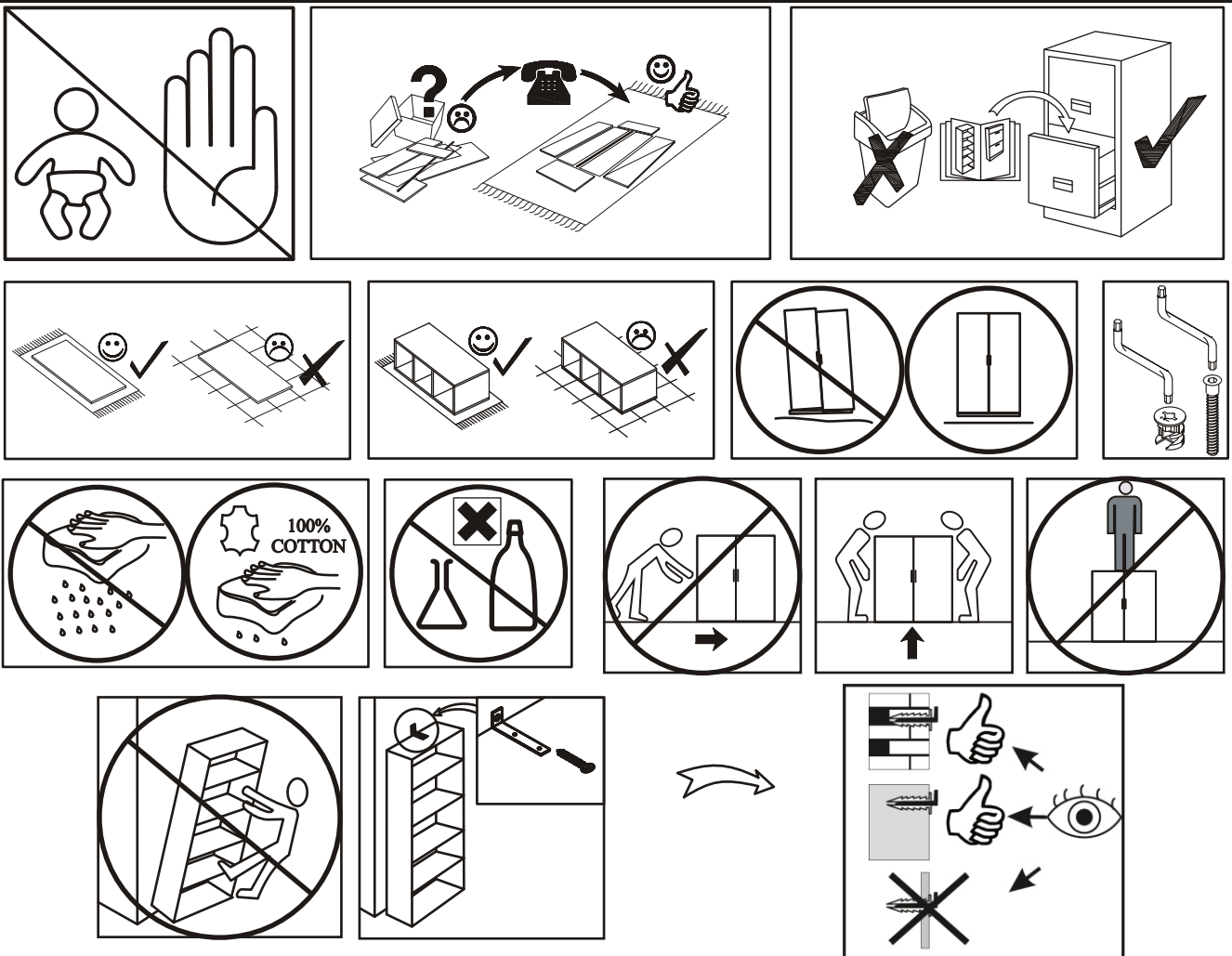
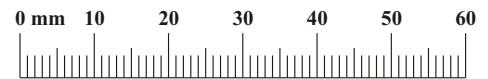


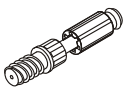
NO	Dim.		Col.-No	Qty
1	876	380	1	1
2	929	406	1	1
3	290	353	2	1
4	290	353	2	1
5	876	380	1	1
6	290	333	2	1
7	281	318	2	1
8	496	283	2	1
9	300	200	2	1
10	300	200	2	1

NO	Dim.		Col.-No	Qty
11	442	186	2	1
12	304	454	2	1
13	290	49	2	2
15	290	43	2	2
17	874	72	1	1
18	840	72	1	1
19	363	72	2	1
20	363	72	2	1
21	302	816	1	1

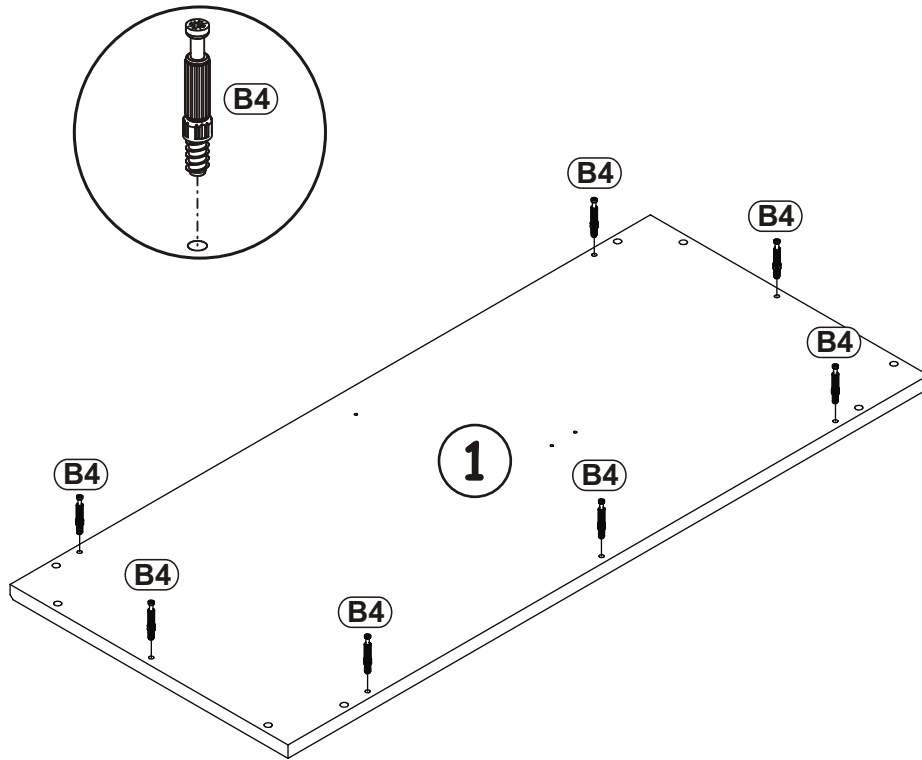
JASMIN 30B1__60

A1 x28  ø8x36	B4 x27 	B5 x27  ø15x12	G5 x27 	B11 x4  Ø7x50	B14 x15  Ø7x30
QU x1  L-300	D20 x4  ESØ6,3x9,5	H1 x2 	EK6 x4  EKØ6,3x13	G4 x12 	G12 x7  Ø14
C19 x1 	D34 x2  M4x16	KM1 x1 	D10 x6  USØ3,5x13	I9 x1  H-60 mm.	UP9 x4  UPØ3,5x16
G7 x4 	UP13 x6  UPØ3x16	KR1 x1 	I2 x6 	S1 x9 	G2 x1 
L1 x1 					

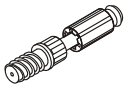


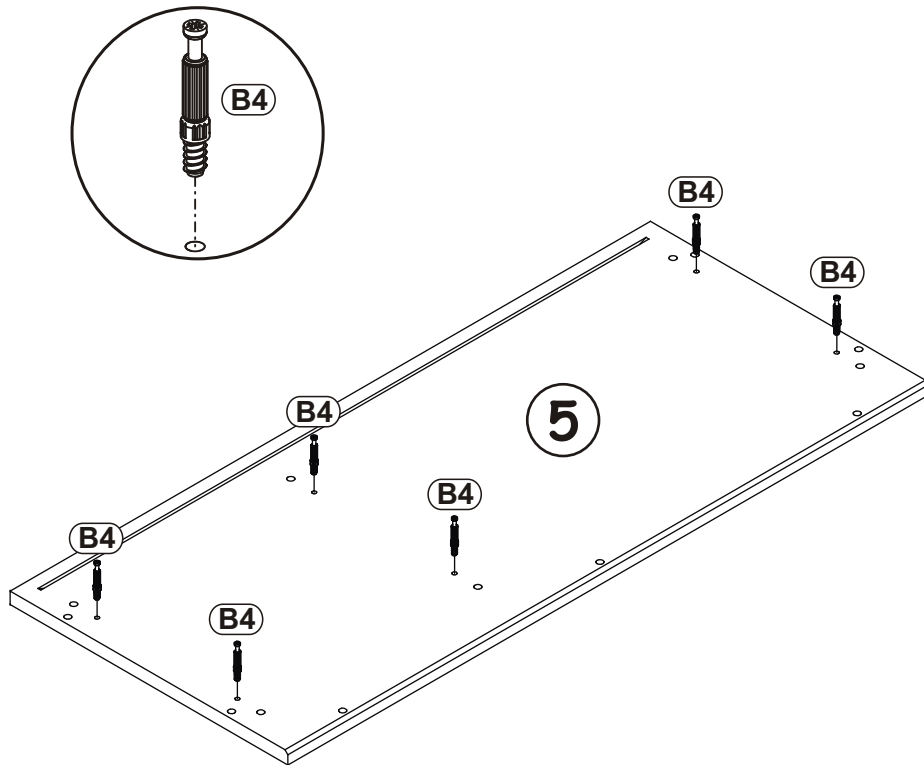
B4	
x7	

1

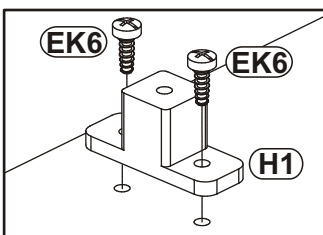
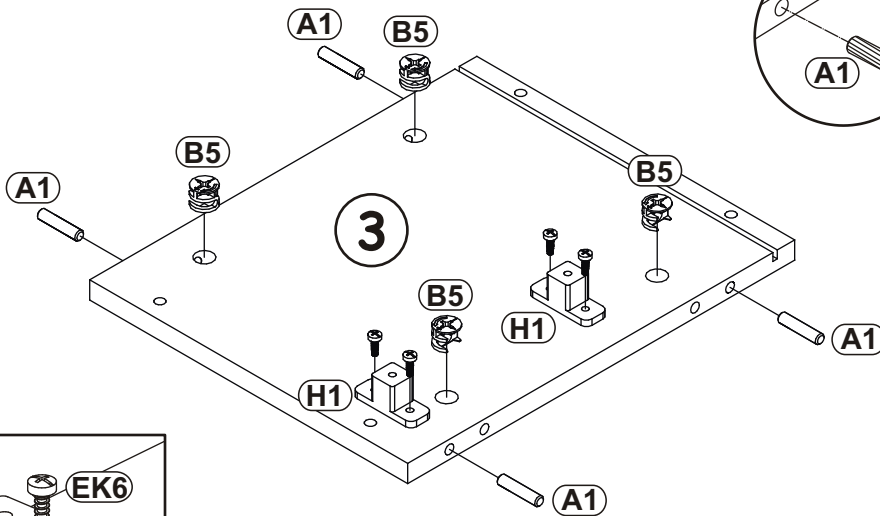
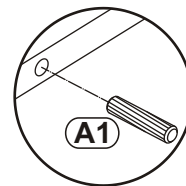
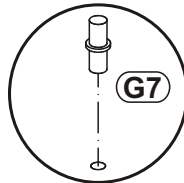
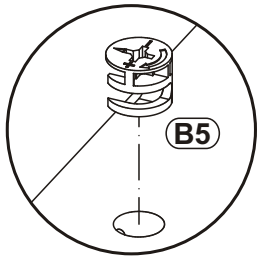
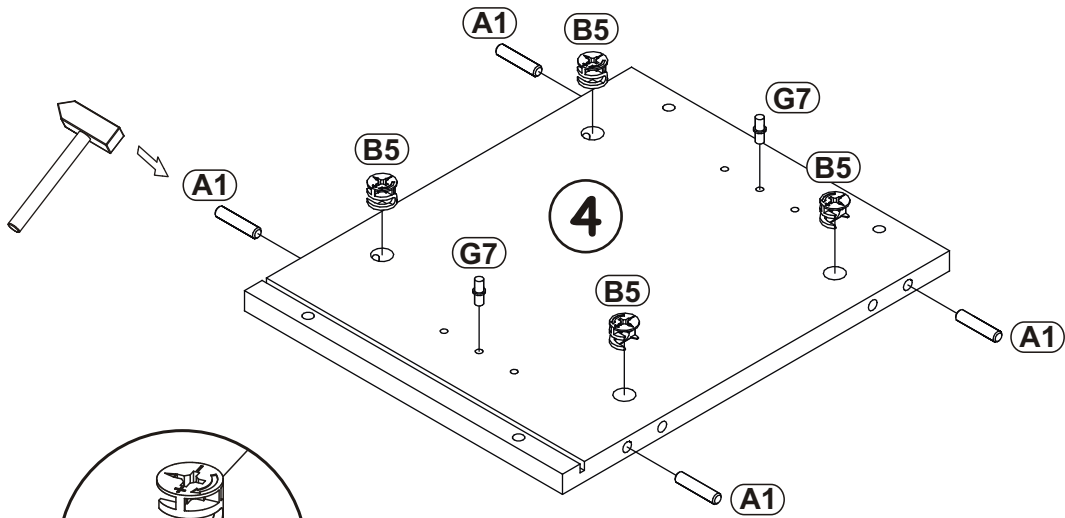
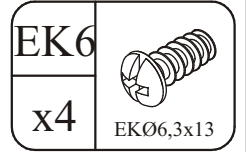
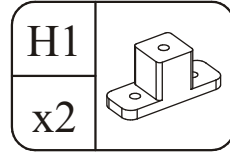
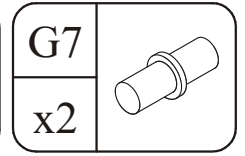
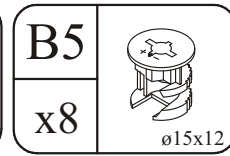
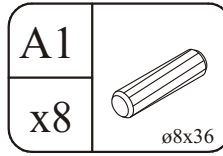


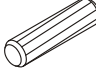

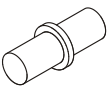
2

B4	
x6	

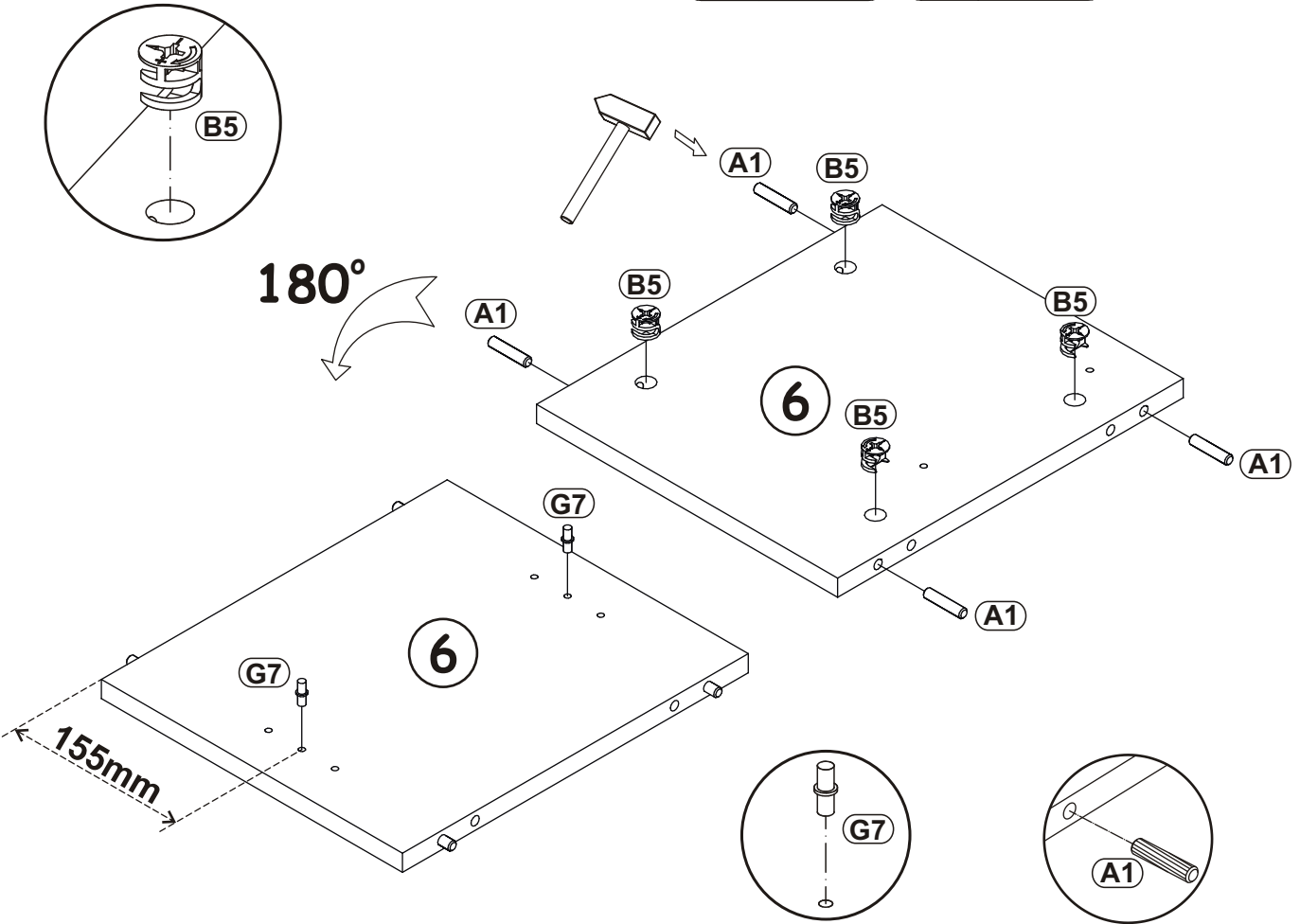


3

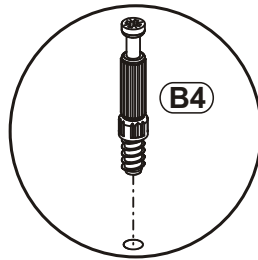
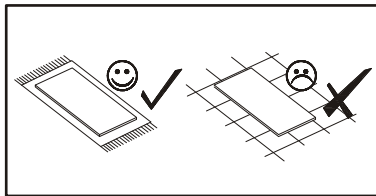


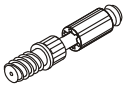
A1		B5		G7	
x4	ø8x36	x4	ø15x12	x2	

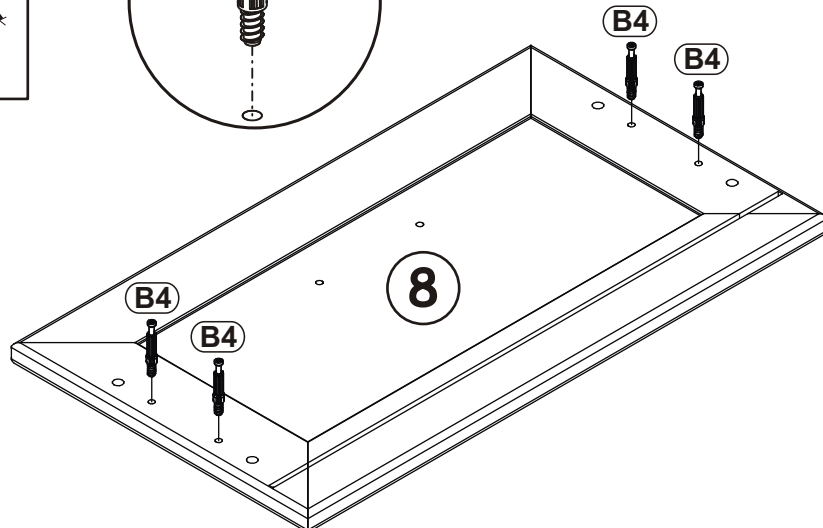
4



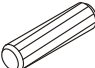

5

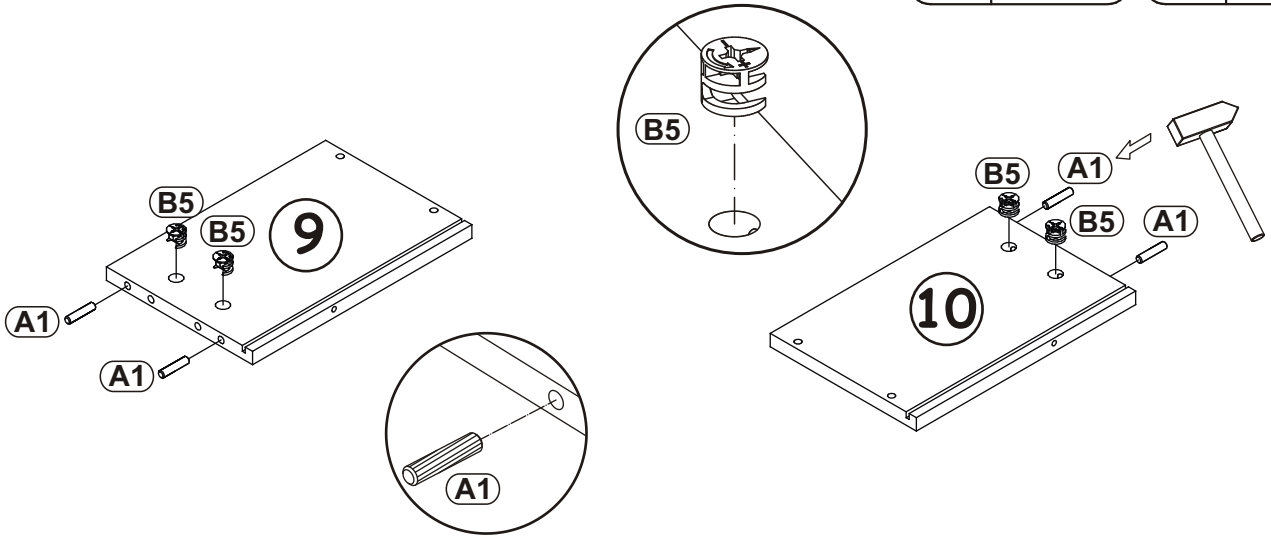


B4	
x4	

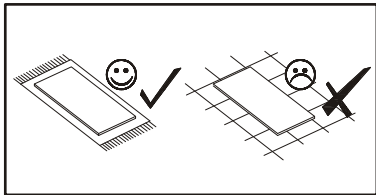


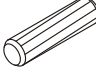
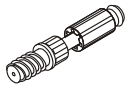

6

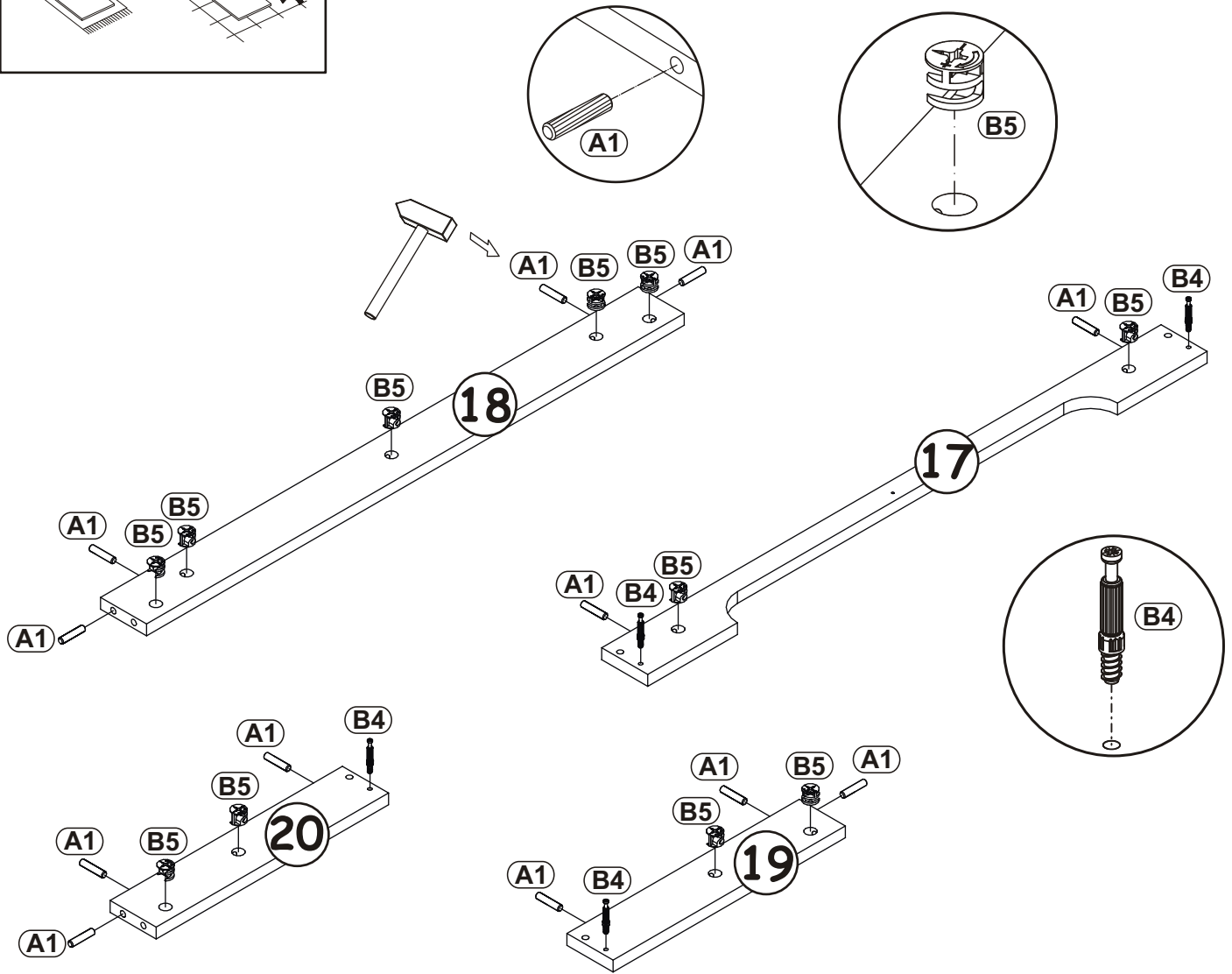
A1		B5	
x4	ø8x36	x4	ø15x12



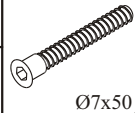

7

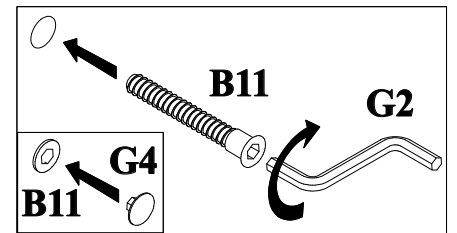
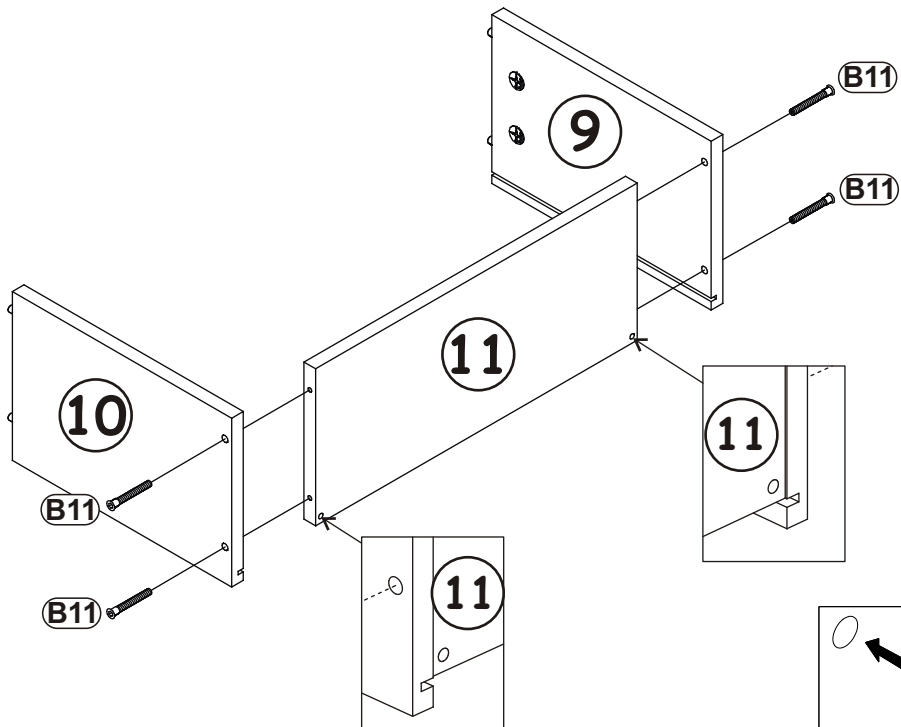


A1		B4		B5	
x12	ø8x36	x4		x11	ø15x12




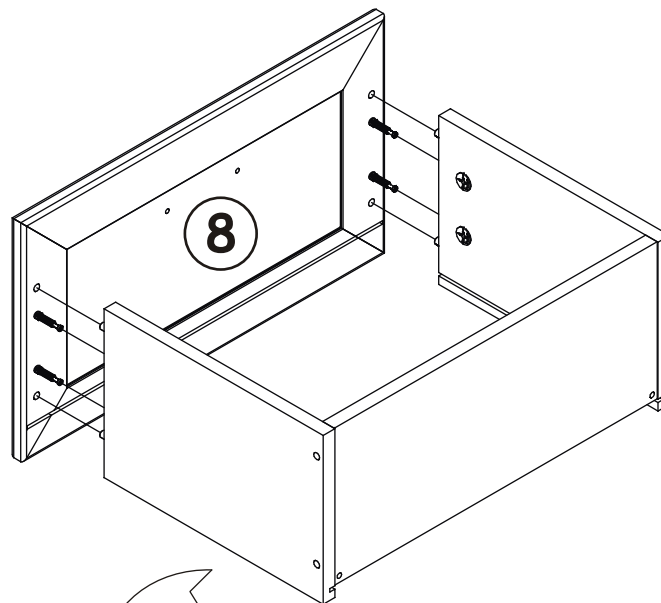
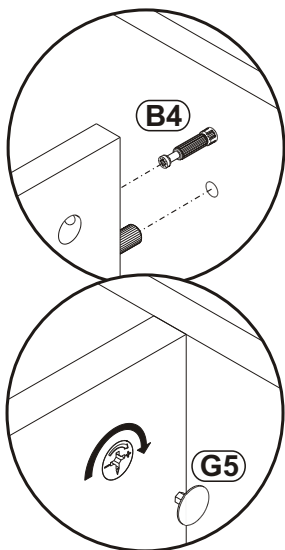
8

B11		G4	
x4	Ø7x50	x4	



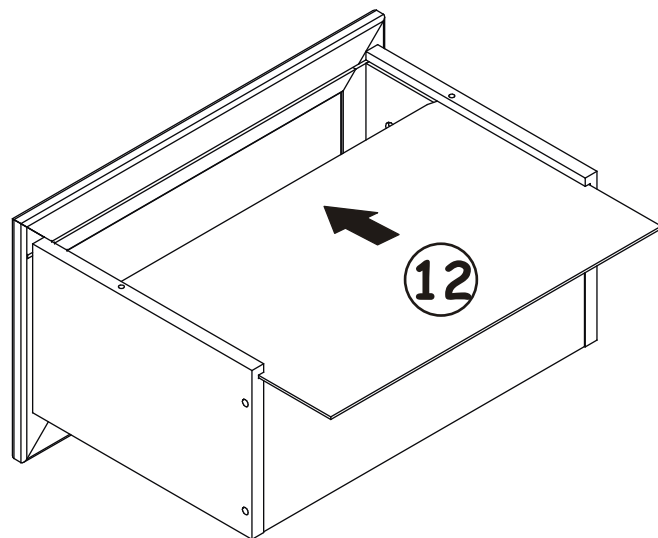
9

G5	
x4	



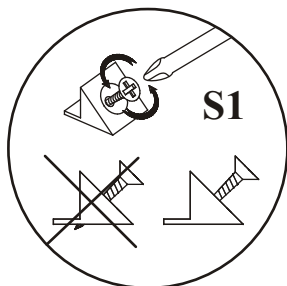
180°

10

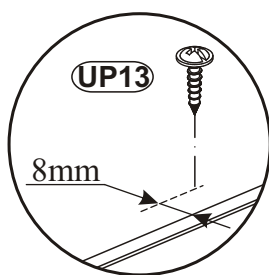
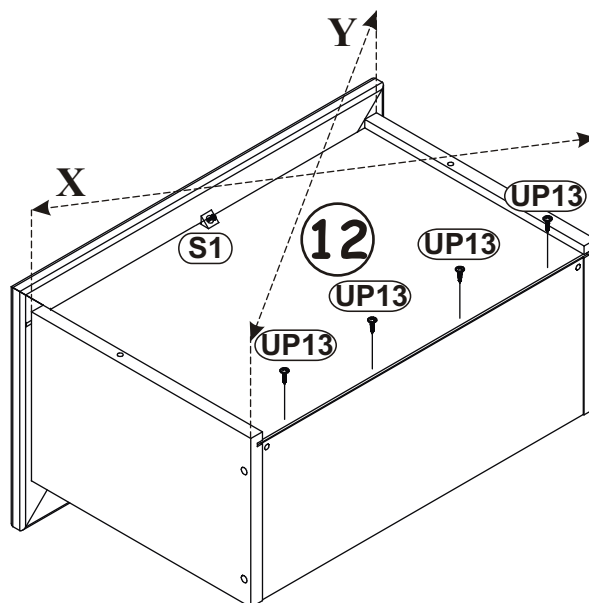


11



S1		UP13	
x1		x4	UPØ3x16

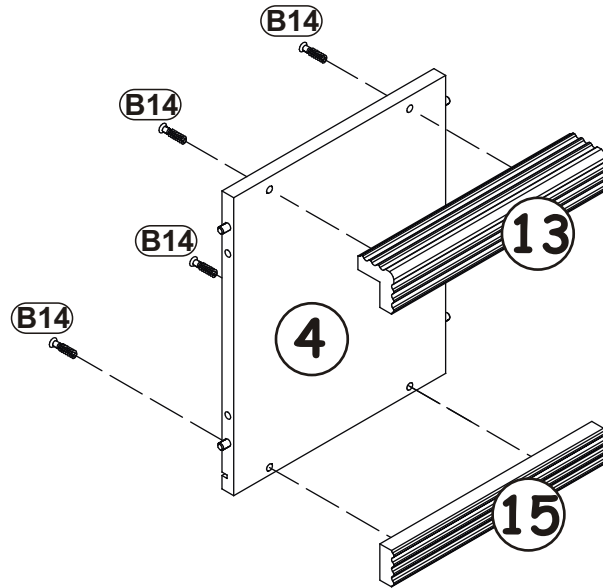
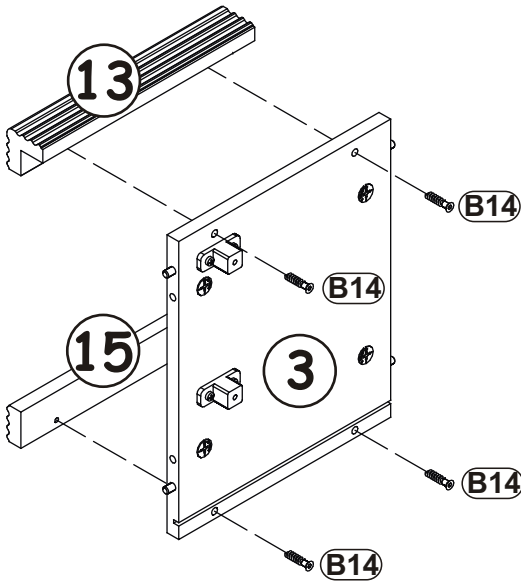
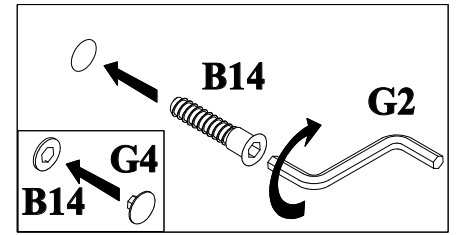


X=Y




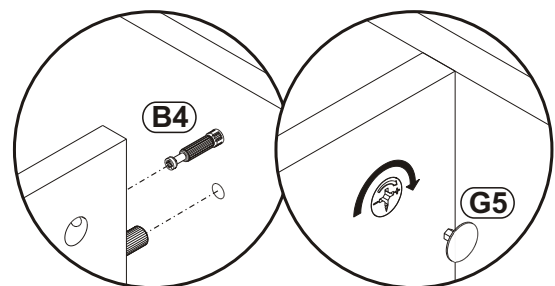
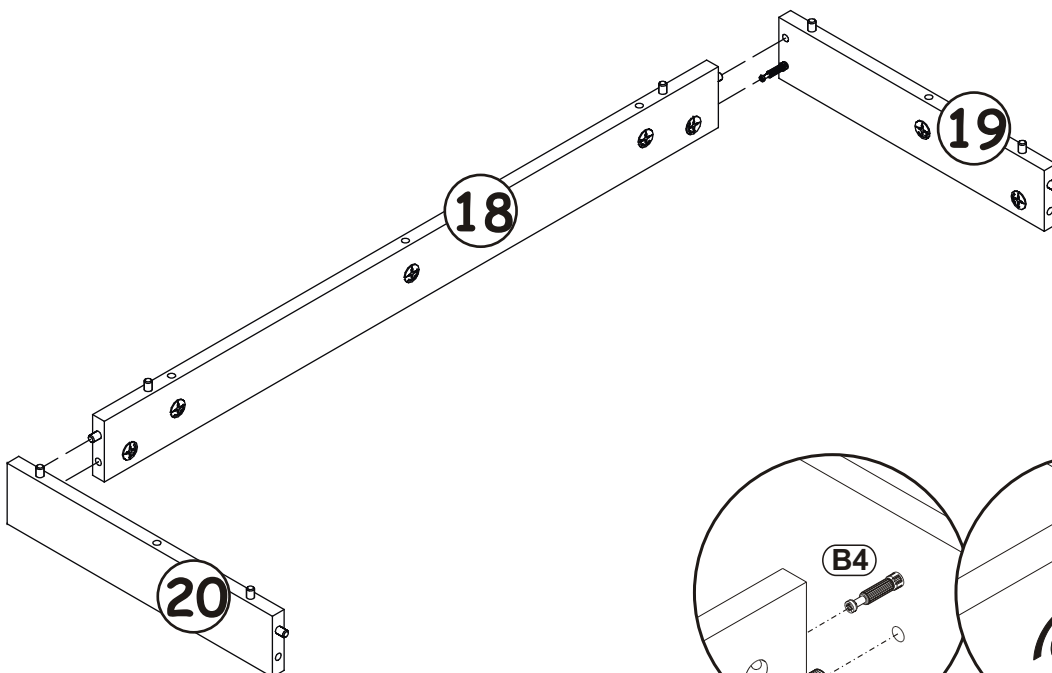
12


B14		G4	
x8	Ø7x30	x8	



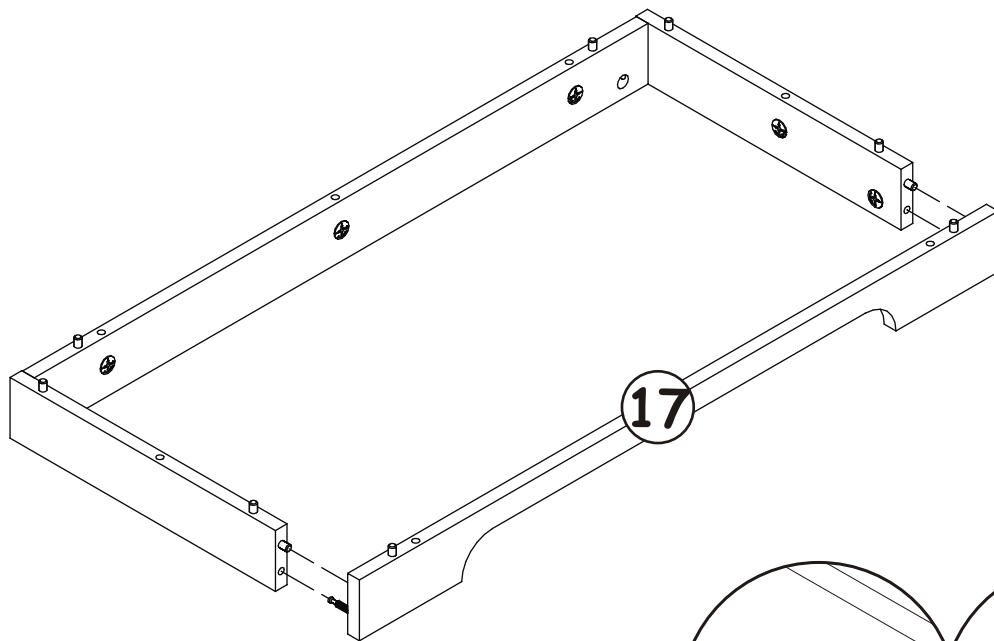
13

G5	
x2	

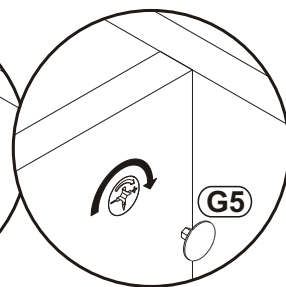
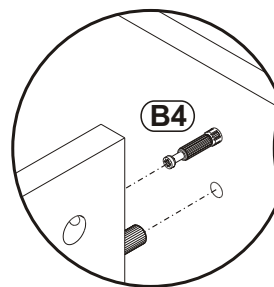


G5	
x2	


14

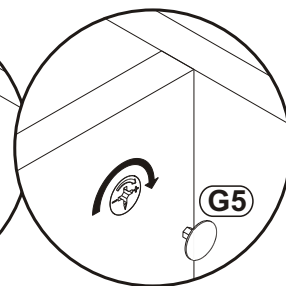
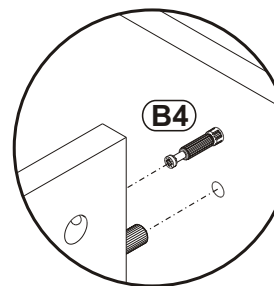
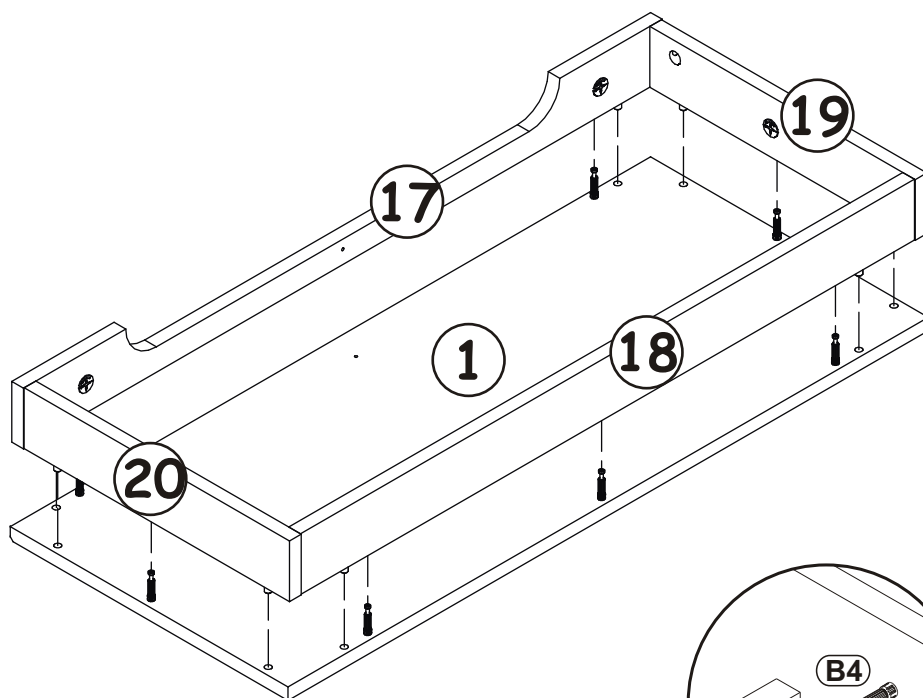


180°

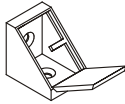



15

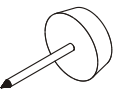
G5	
x7	

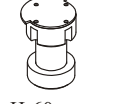



16

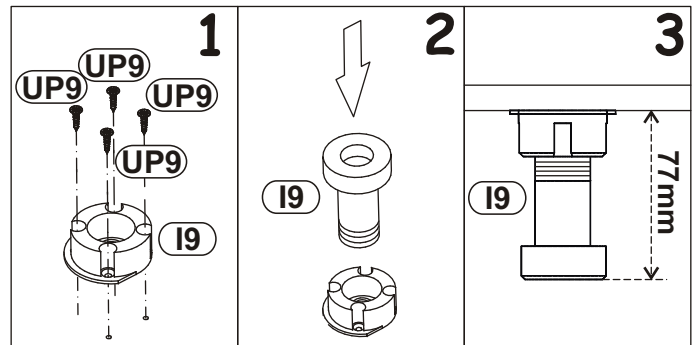
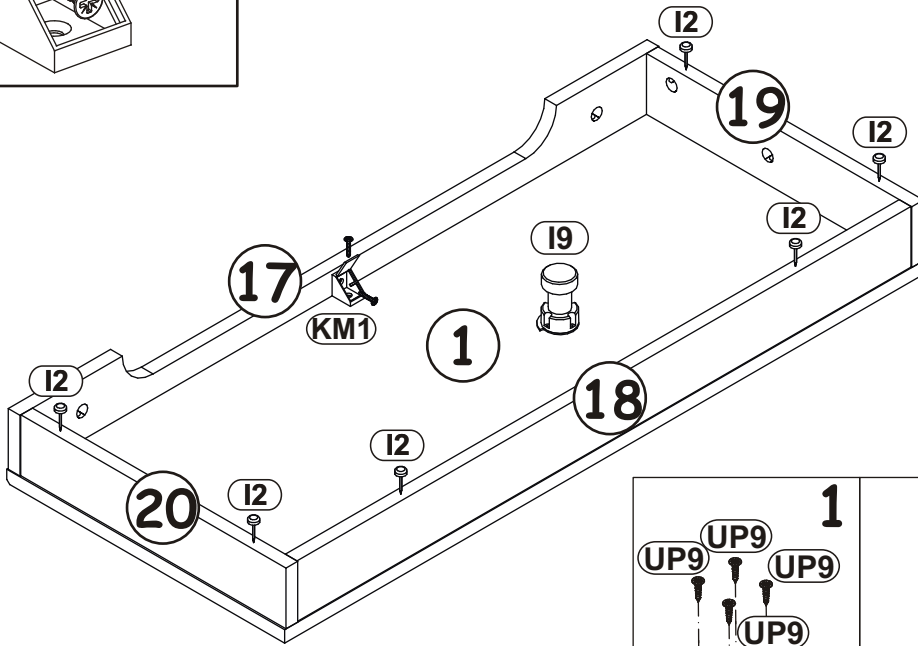
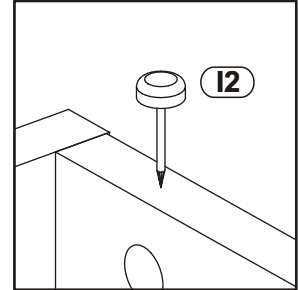
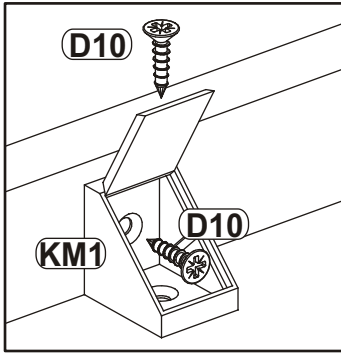
KM1	
x1	

D10	
x2	USØ3,5x13

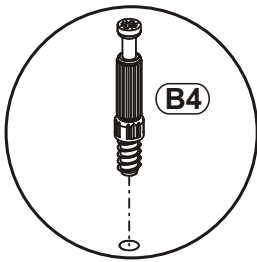
I2	
x6	

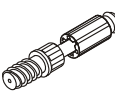
I9	
x1	H-60 mm.

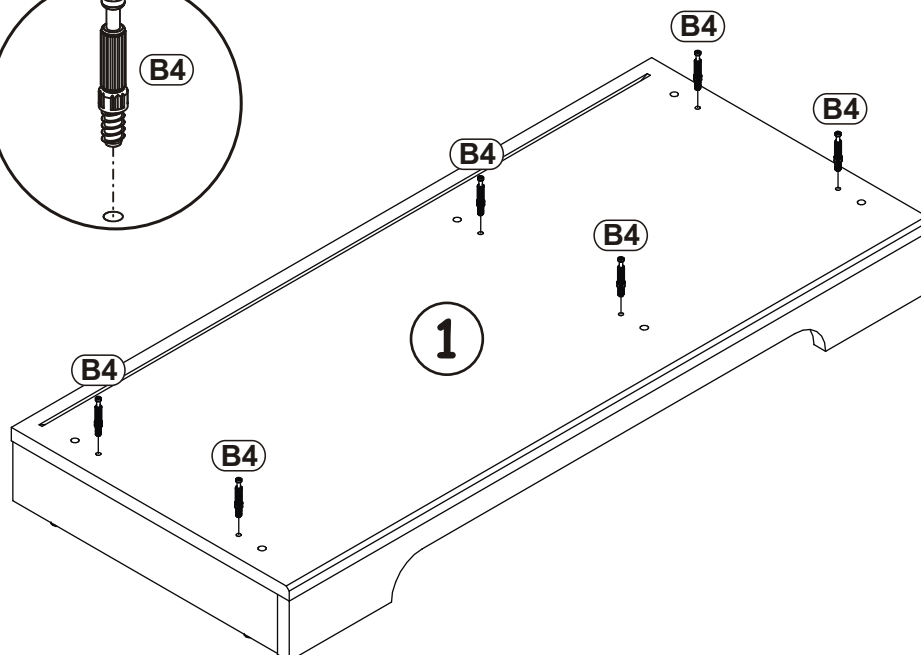
UP9	
x4	UPØ3,5x16



17



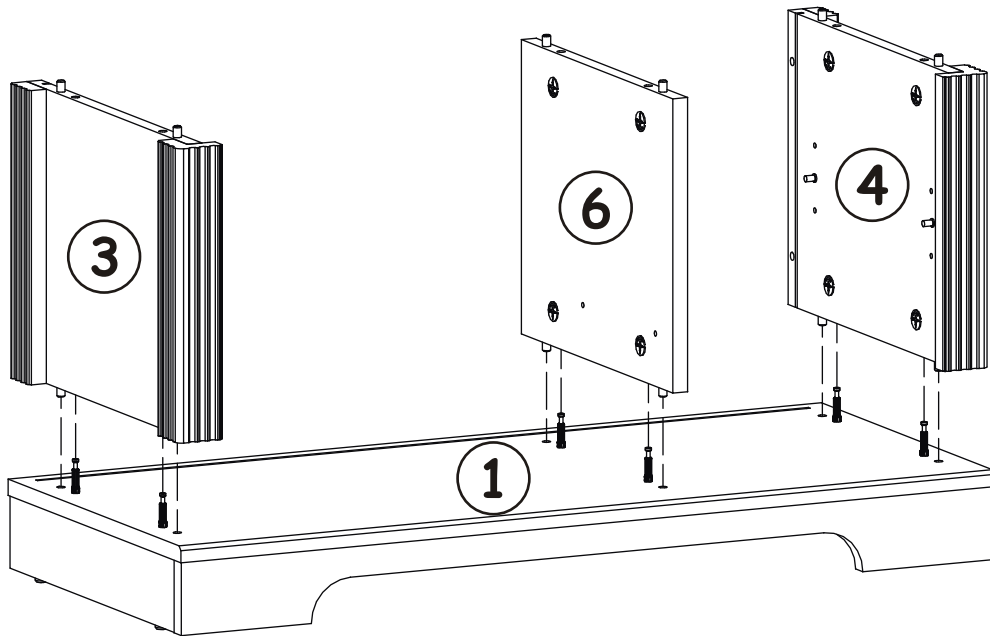
B4	
x6	



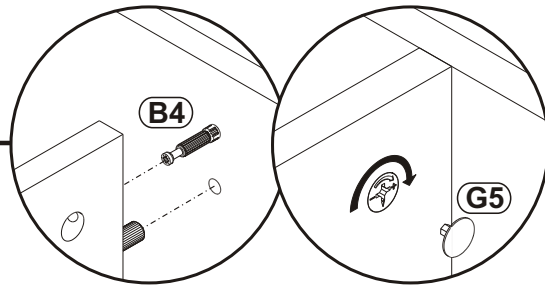
18

G5

x6

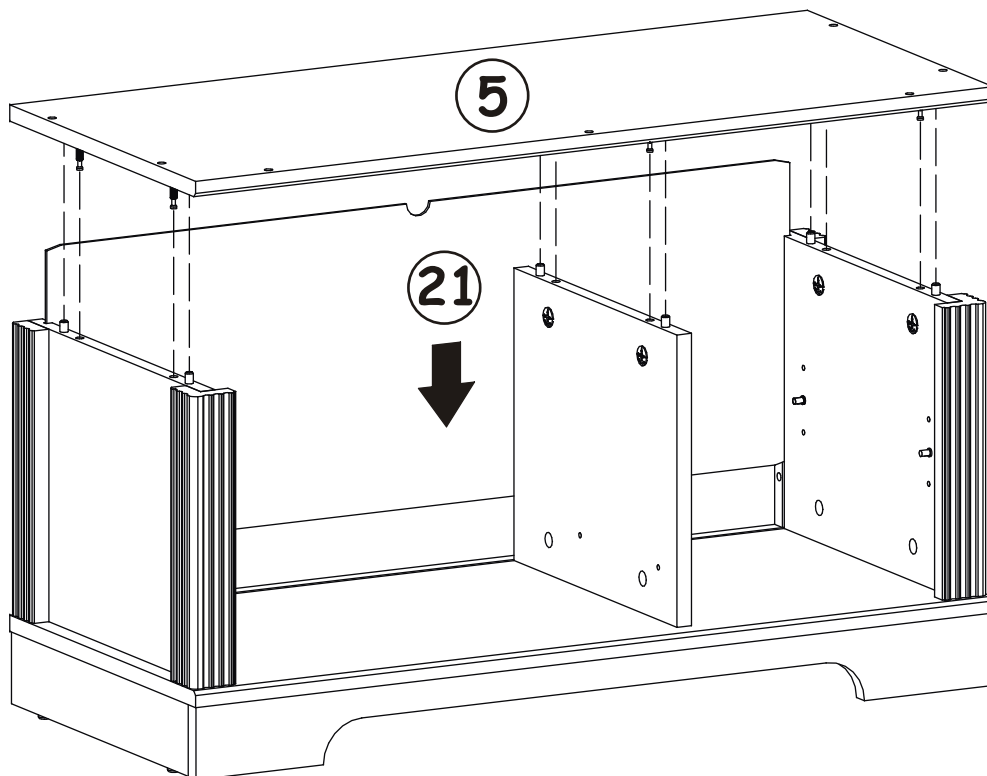


19

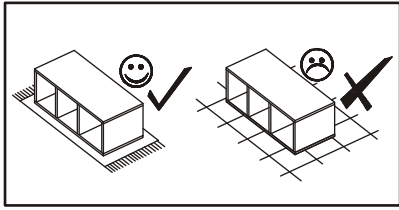


G5

x6



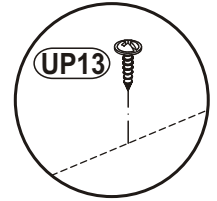
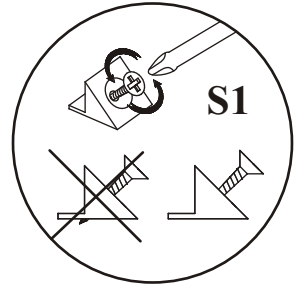
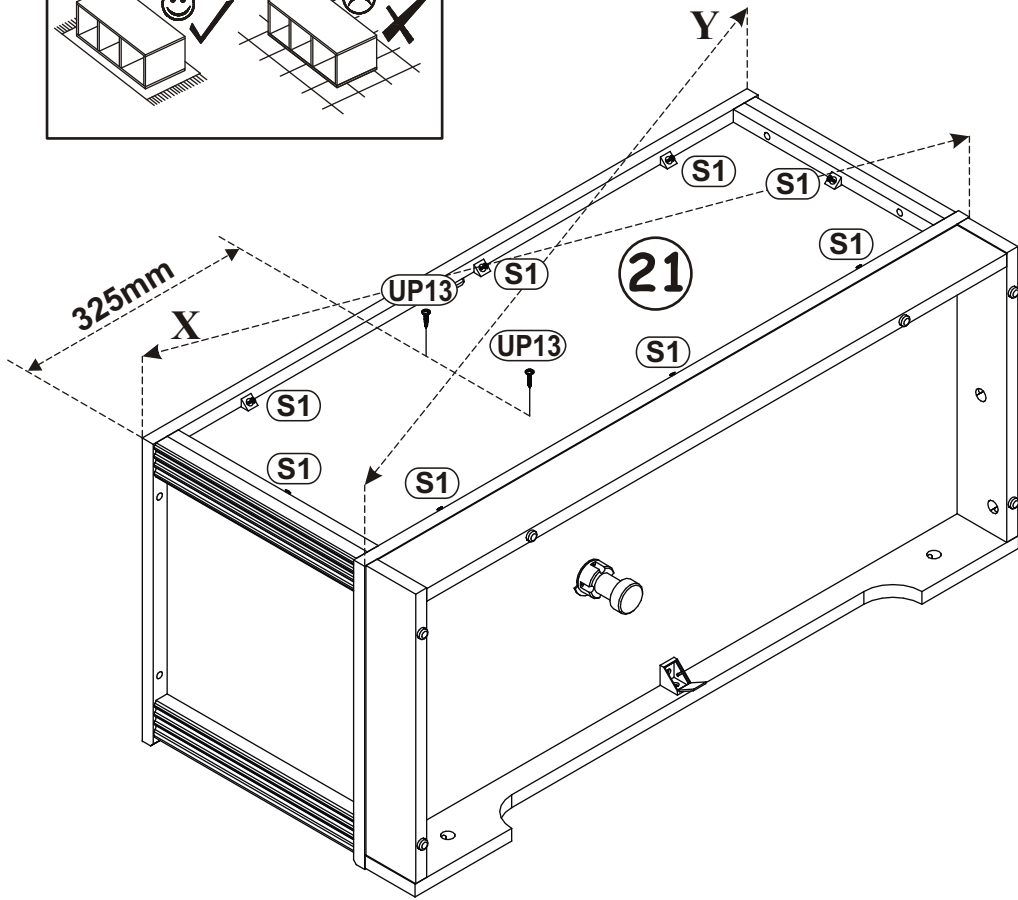
20



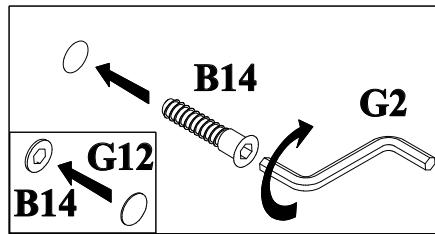
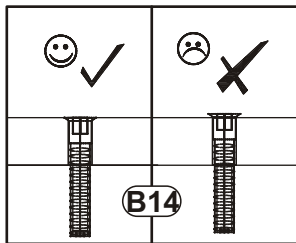
$X=Y$ 90°

S1	
x8	

UP13	
x2	UPØ3x16

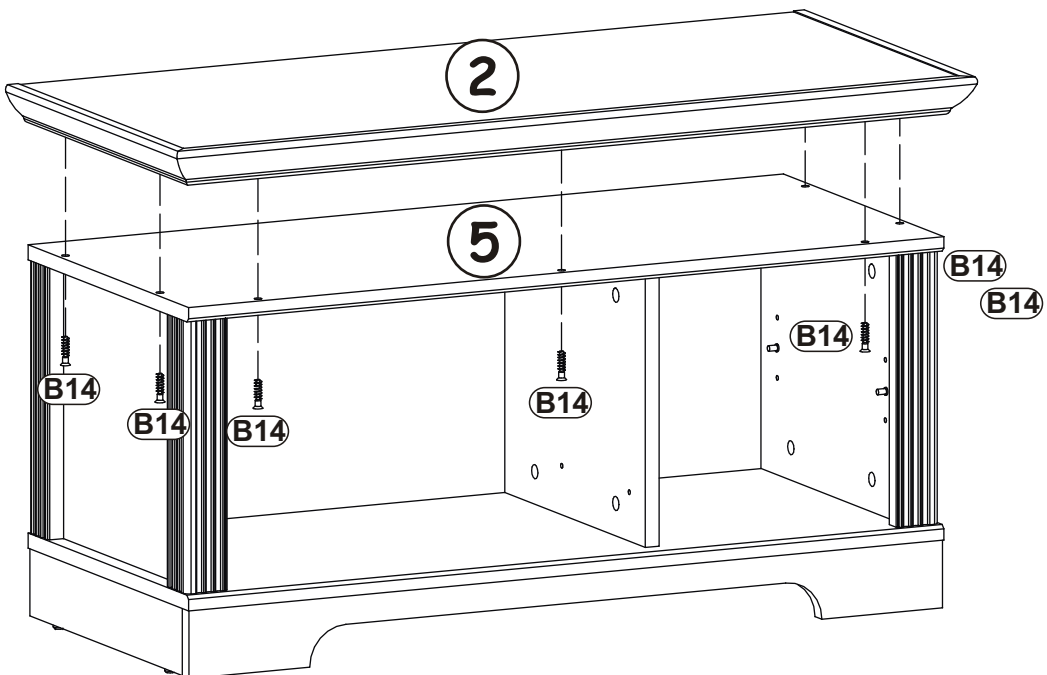


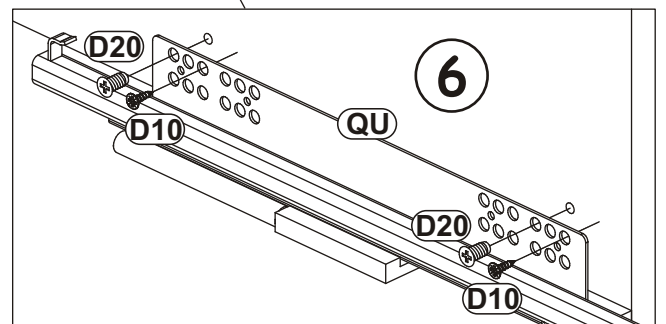
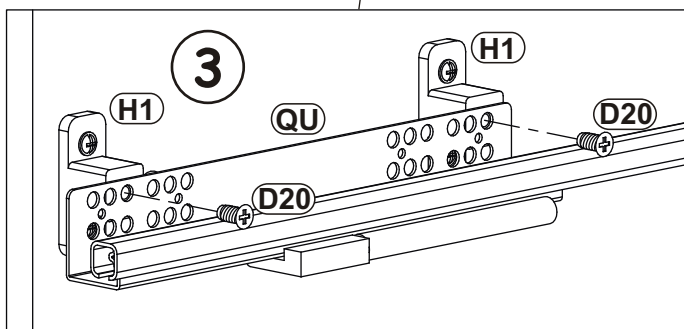
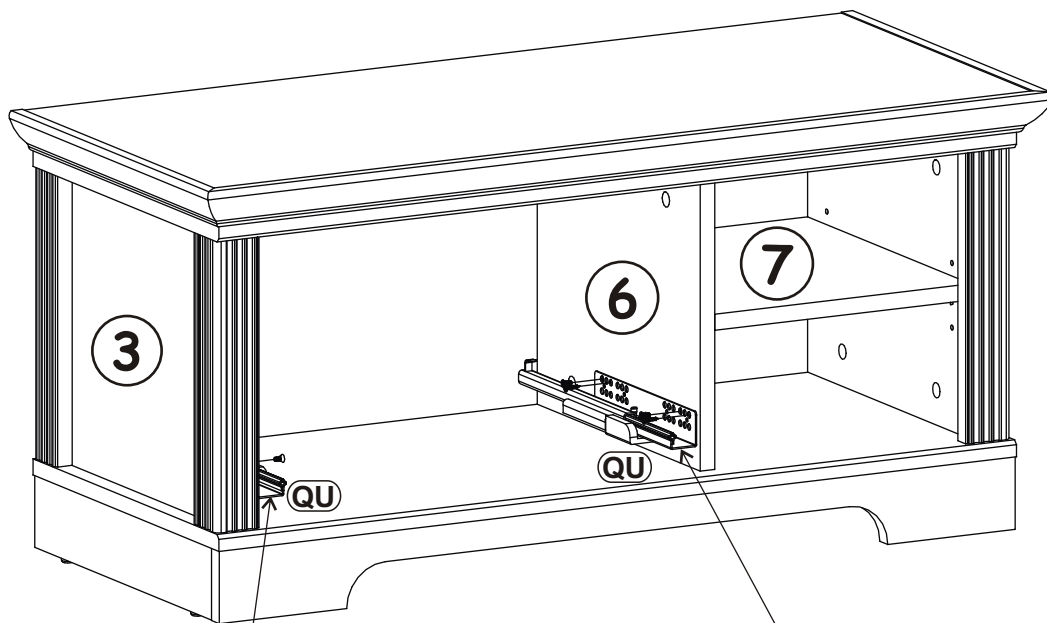
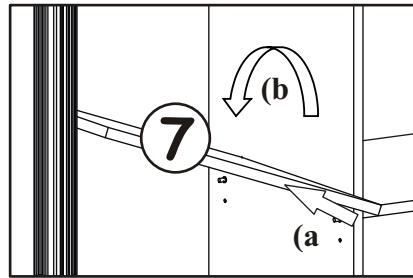
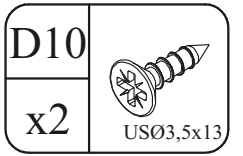
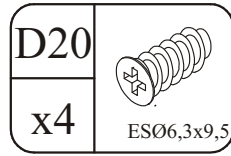
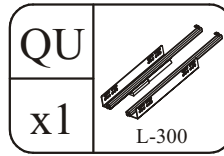
21

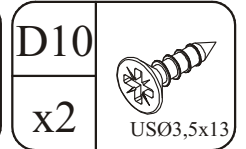
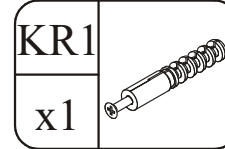
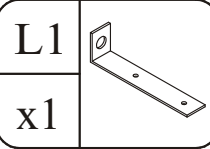


B14	
x7	Ø7x30

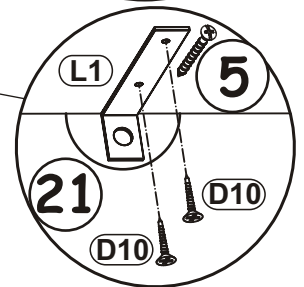
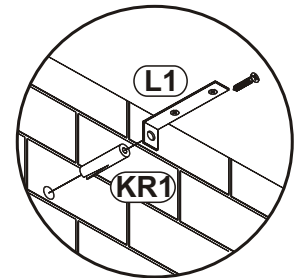
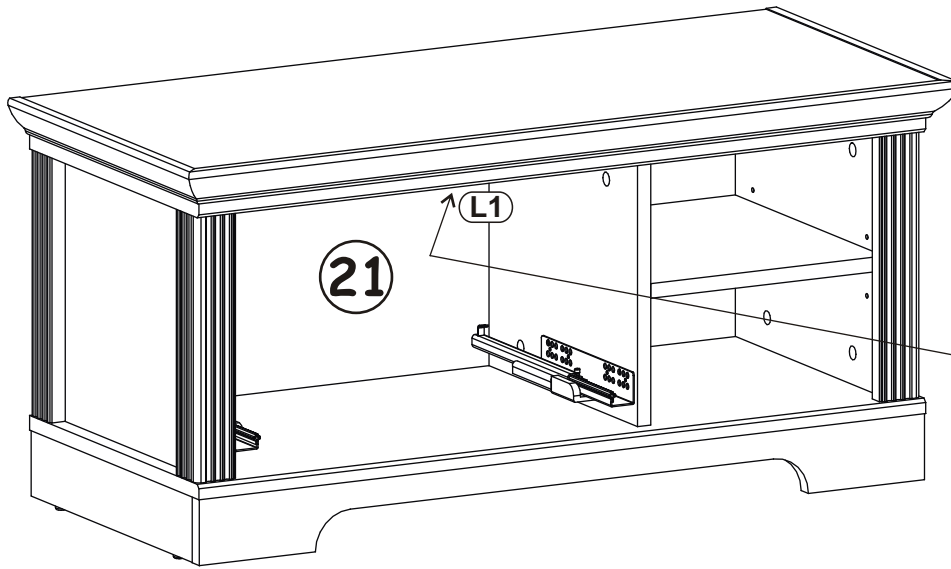
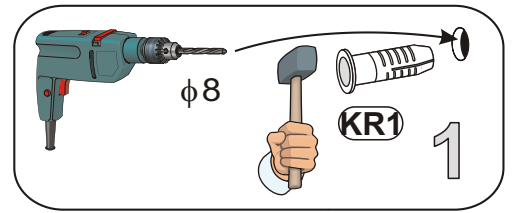
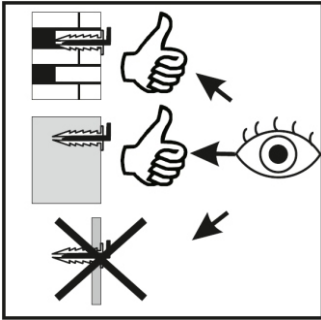
G12	
x7	Ø14



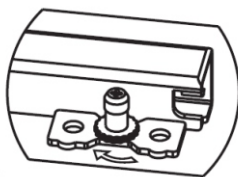
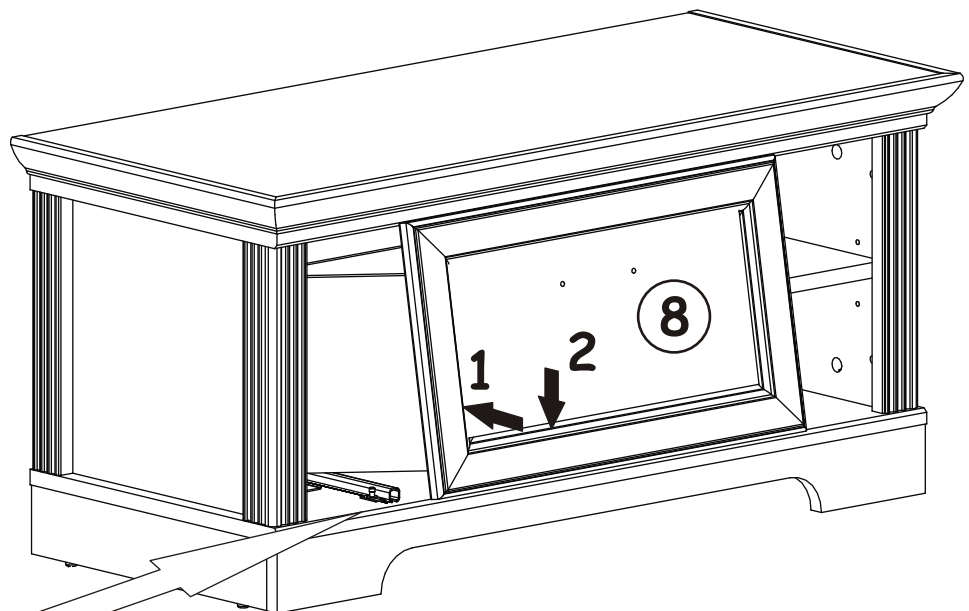




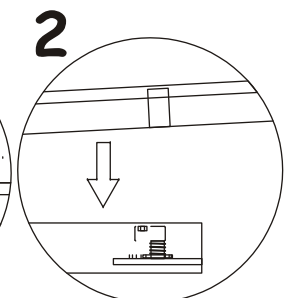
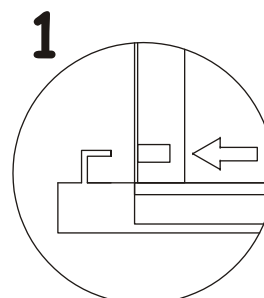
23



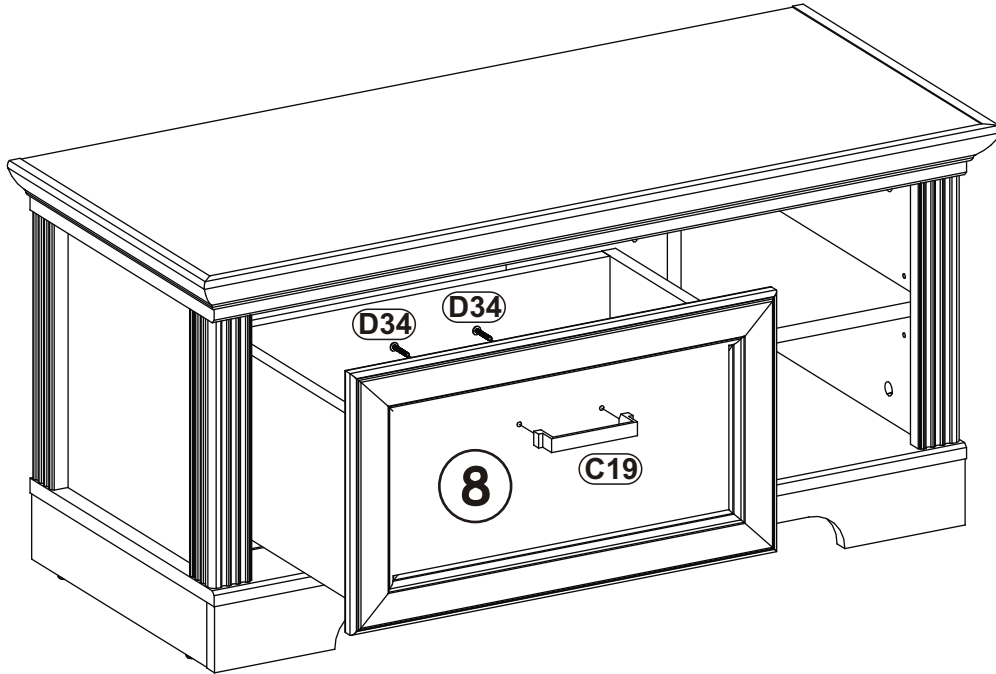
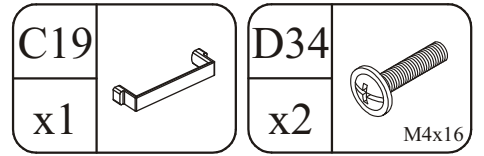
24



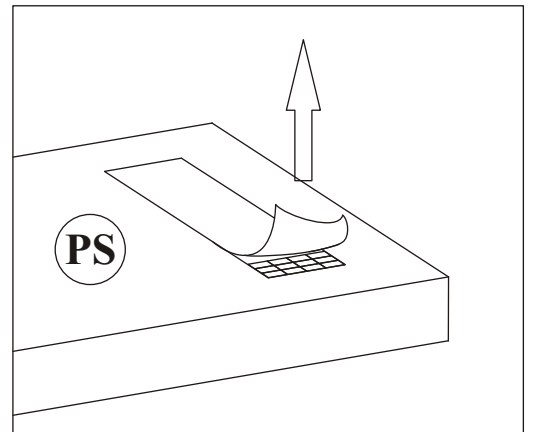
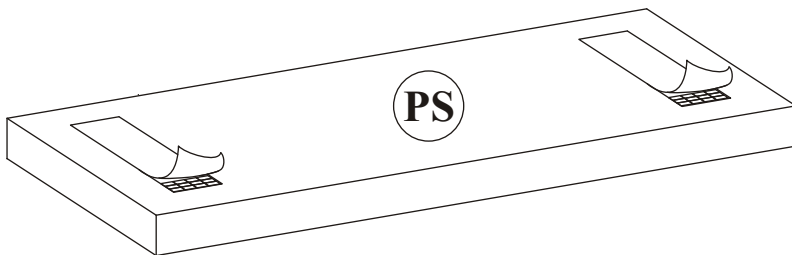
+4mm ↑



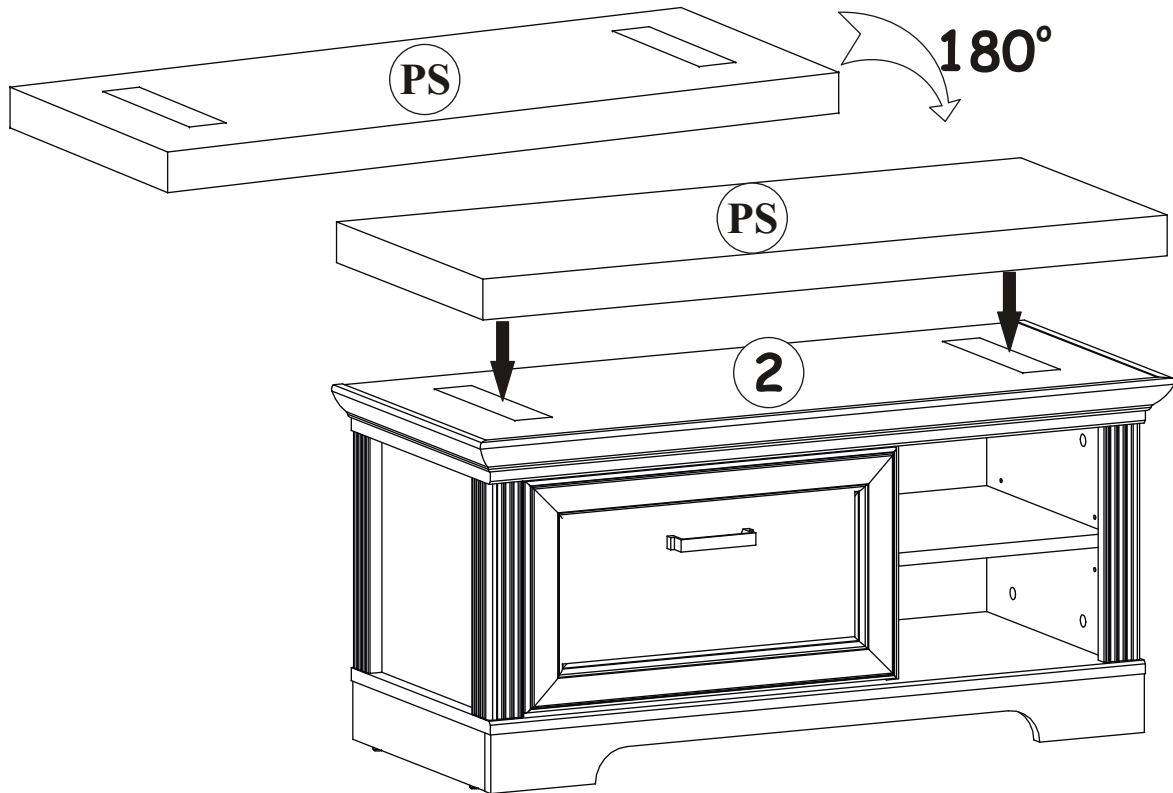
25



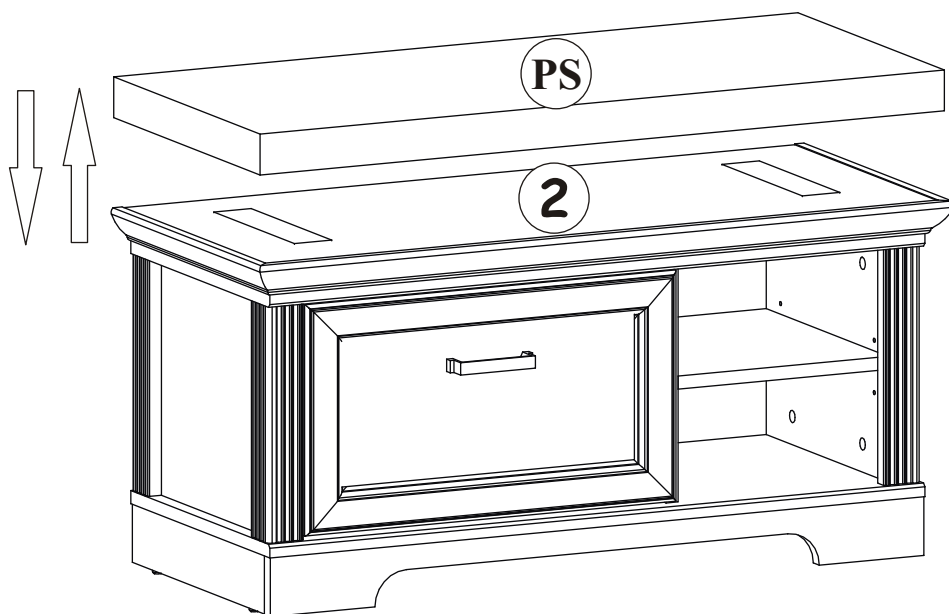
26



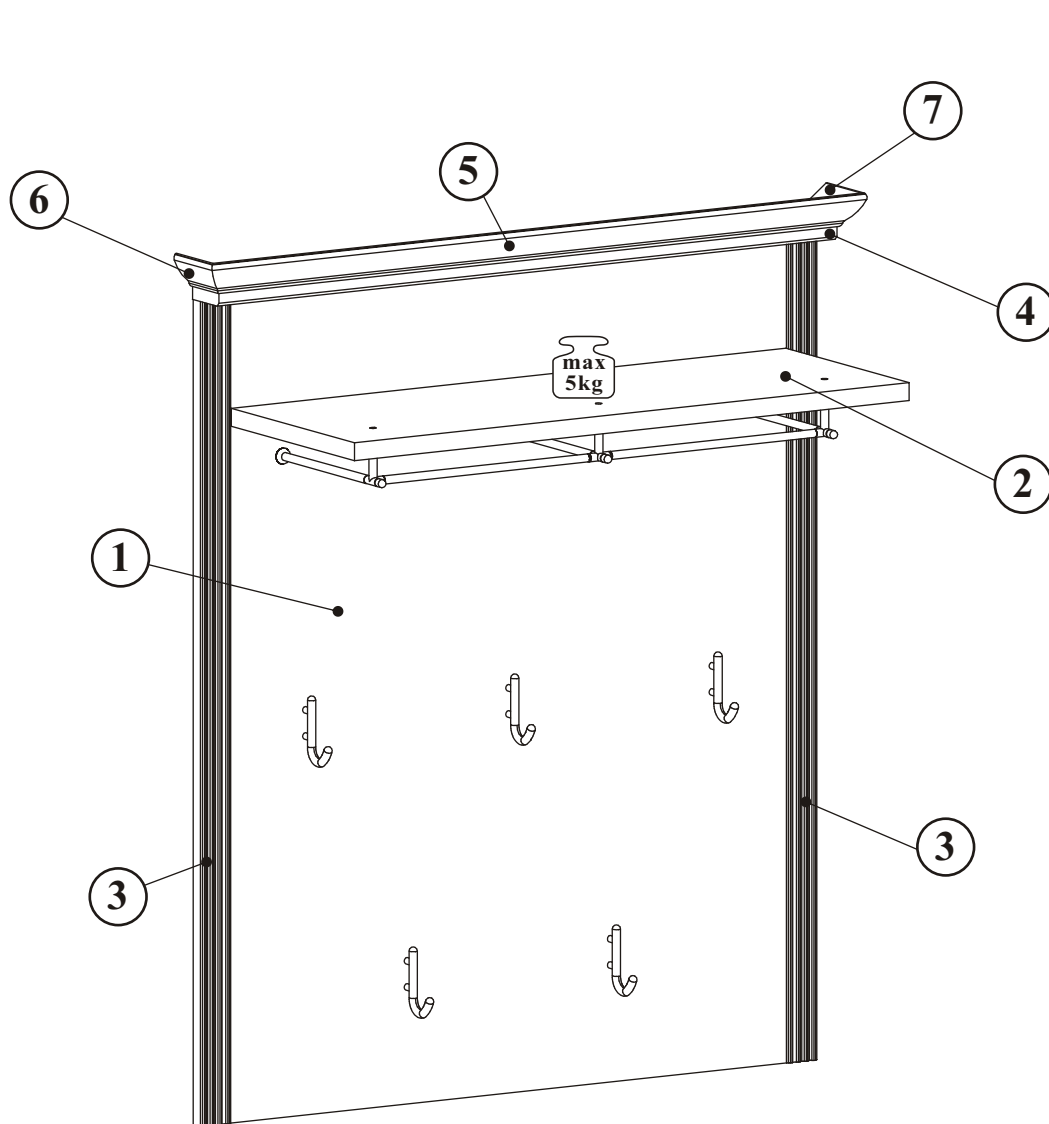
27



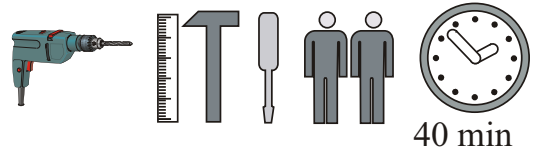
28



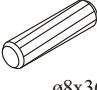



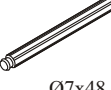
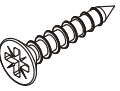



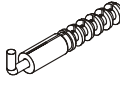
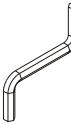
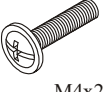
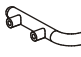

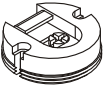
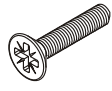
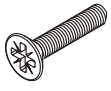
JASMIN 30B1_41

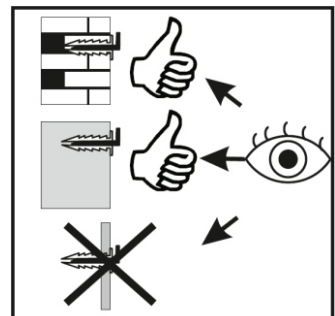
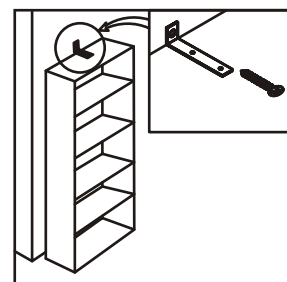
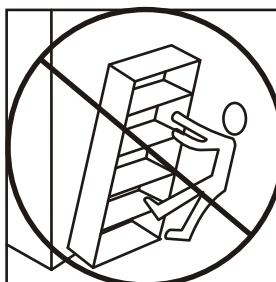
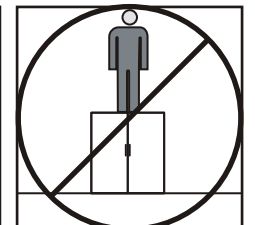
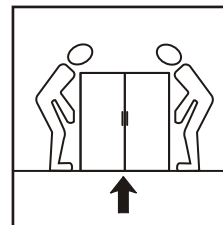
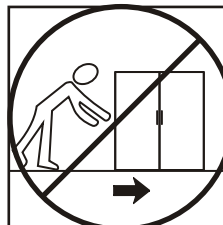
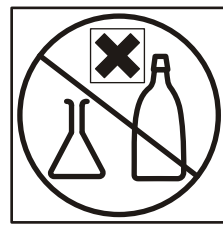
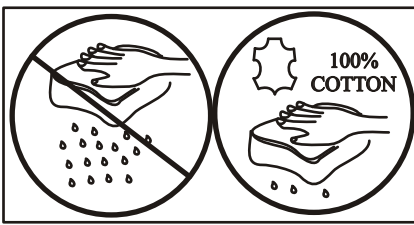
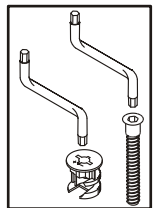
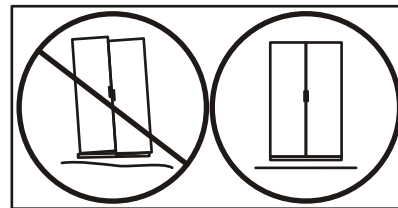
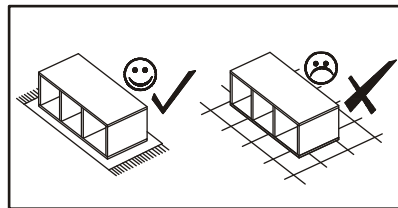
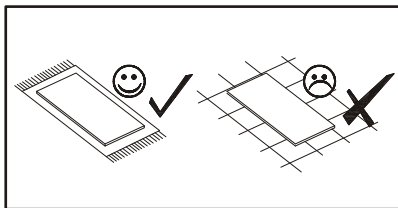
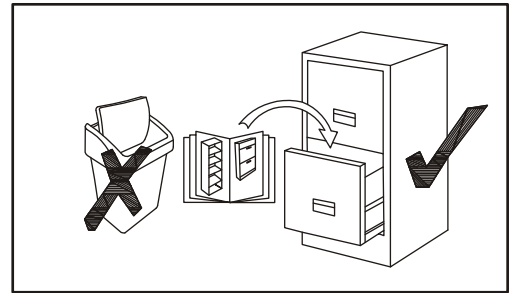
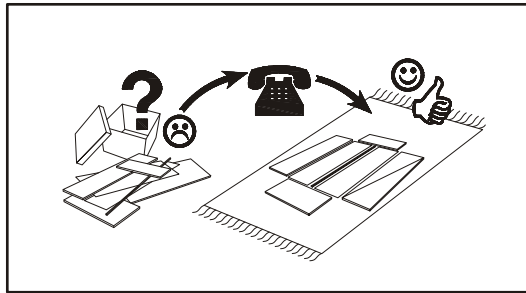
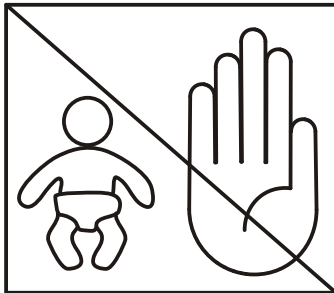


NO	Dim.		Col.-No	Qty
1	1008	788	1	1
2	786	280	1	1
3	1008	43	1	2
4	876	60	1	1
5	929	67	1	1
6	86	67	1	1
7	86	67	1	1

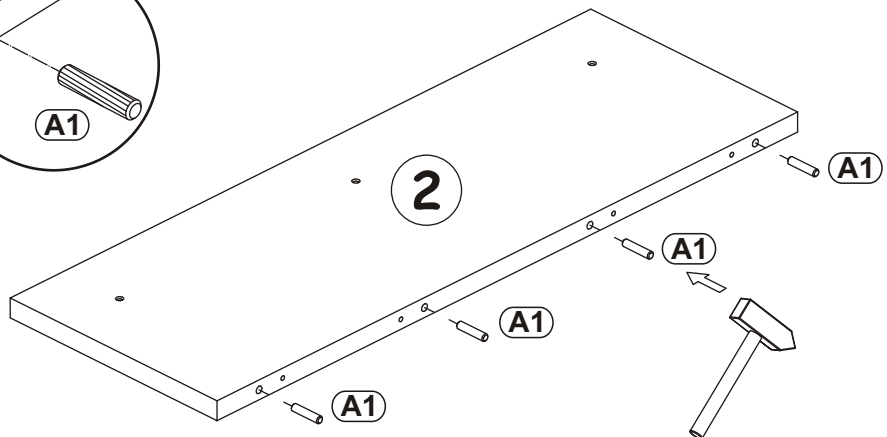
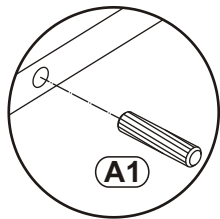
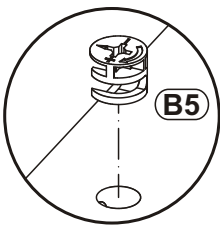
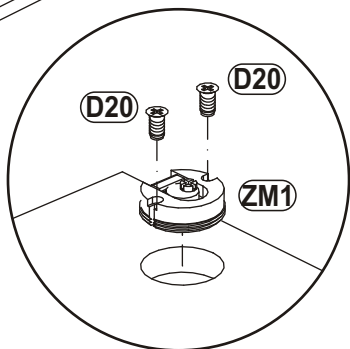
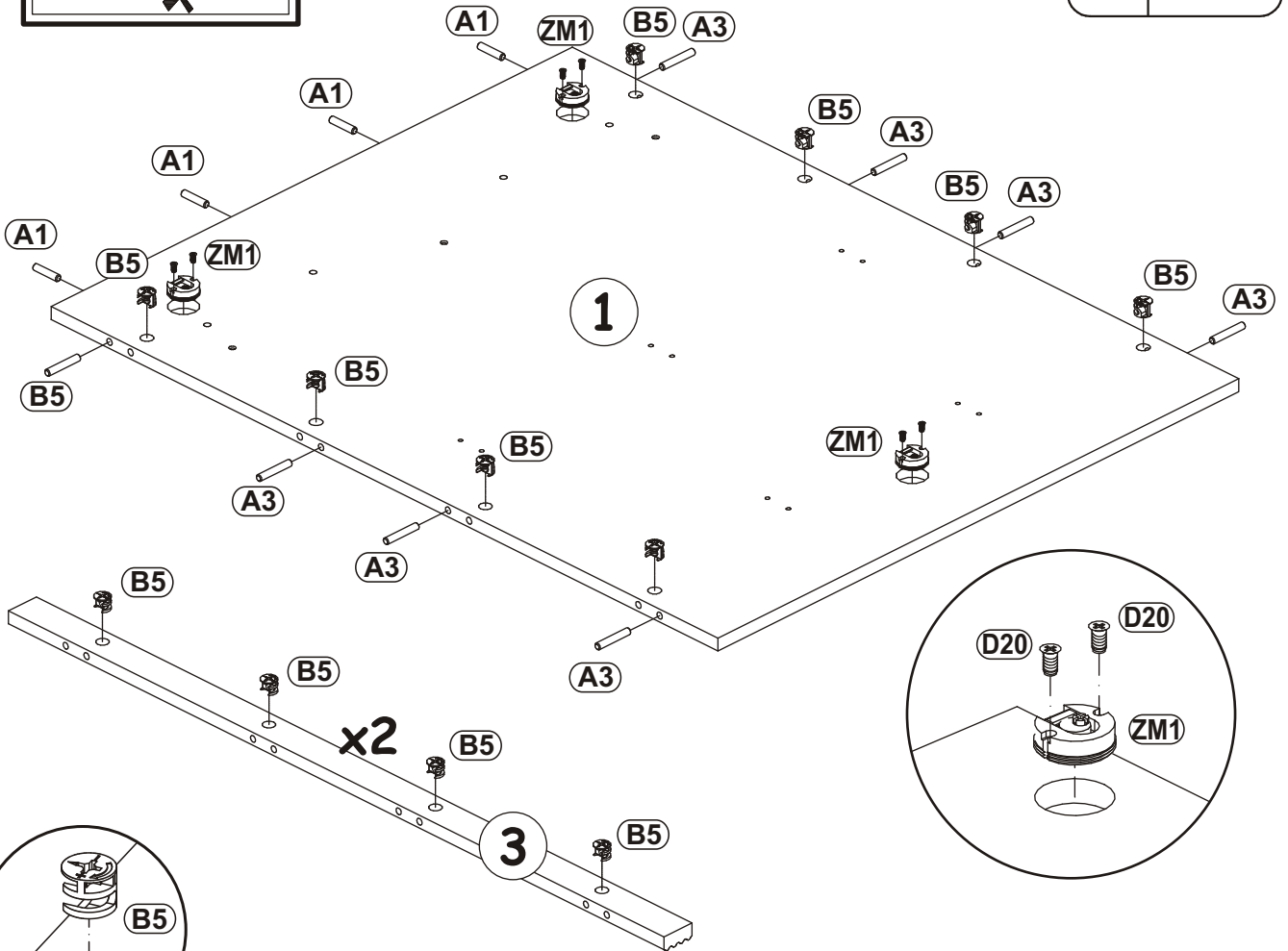
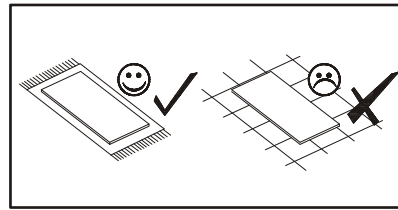
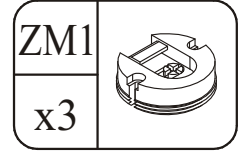
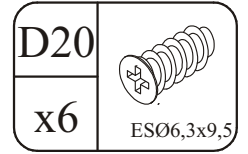
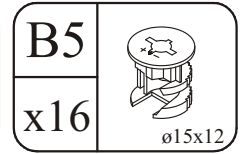
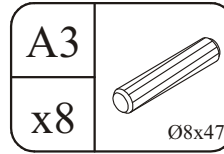
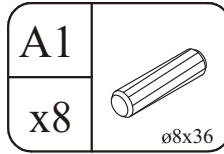
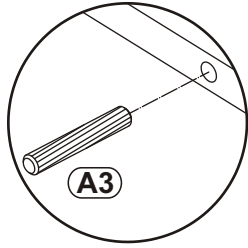
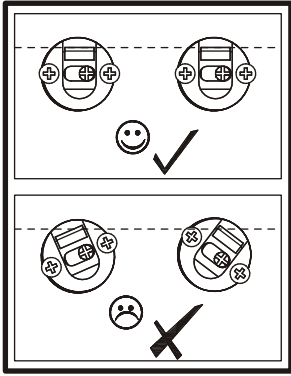


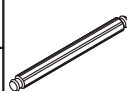
40 min


A1 x8  Ø8x36	A3 x8  Ø8x47	B5 x16  Ø15x12	G5 x16 	B9 x8  Ø7x48	D9 x8  USØ3x20
B11 x8  Ø7x50	G4 x8 	D20 x6  ESØ6,3x9,5	KR2 x3 	G2 x1 	D5 x10  M4x25
W23 x5 	W20 x1 	ZM1 x3 	DS6 x3  WSM4x25	WS3 x3  WS4x30	



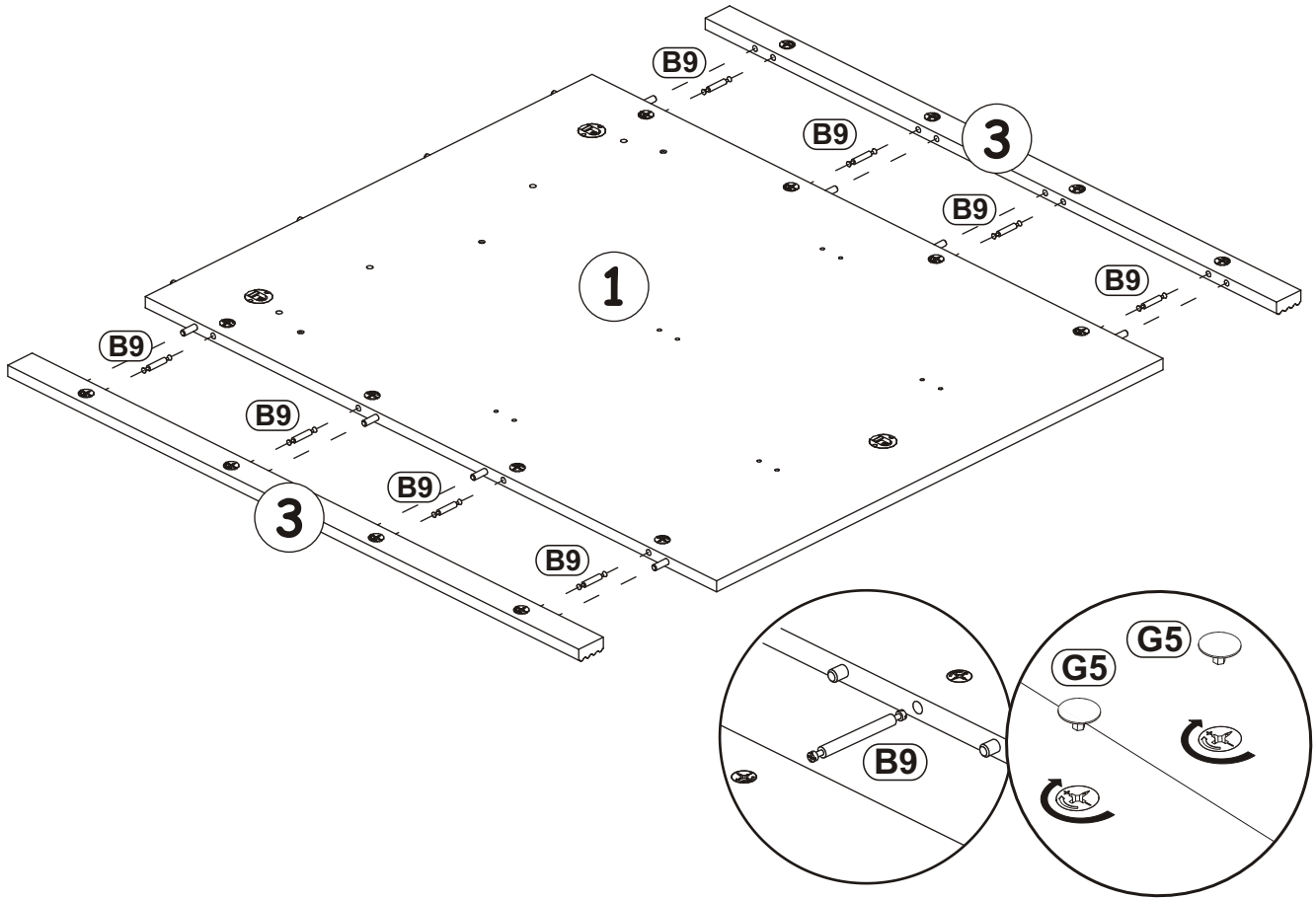
1



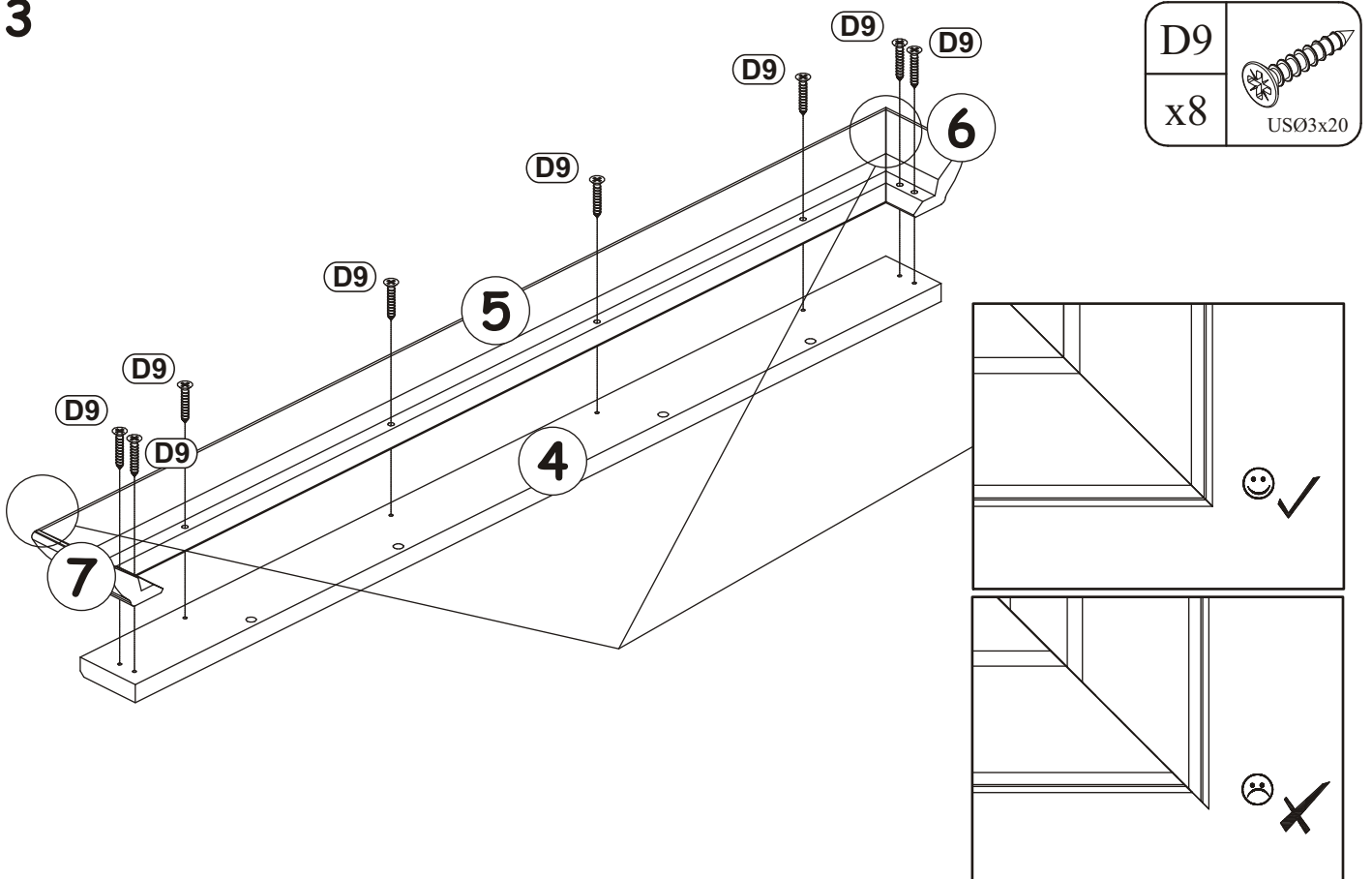
B9	
x8	Ø7x48

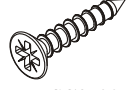
G5	
x16	

2

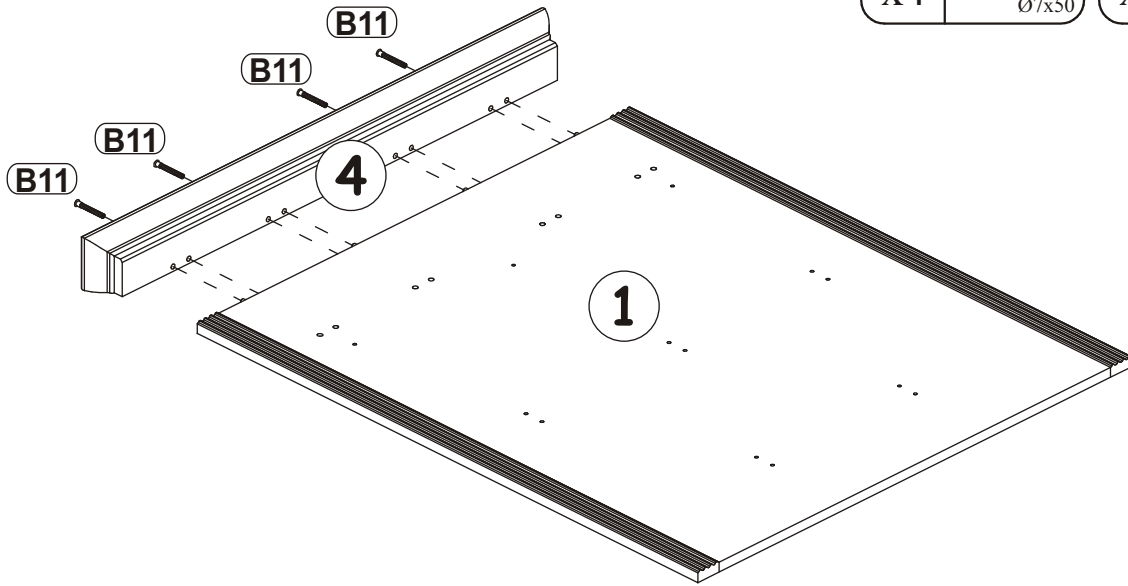



3




D9	
x8	USØ3x20

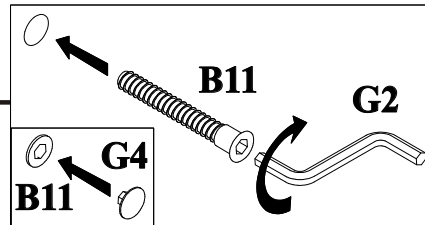
4





B11	
x4	Ø7x50

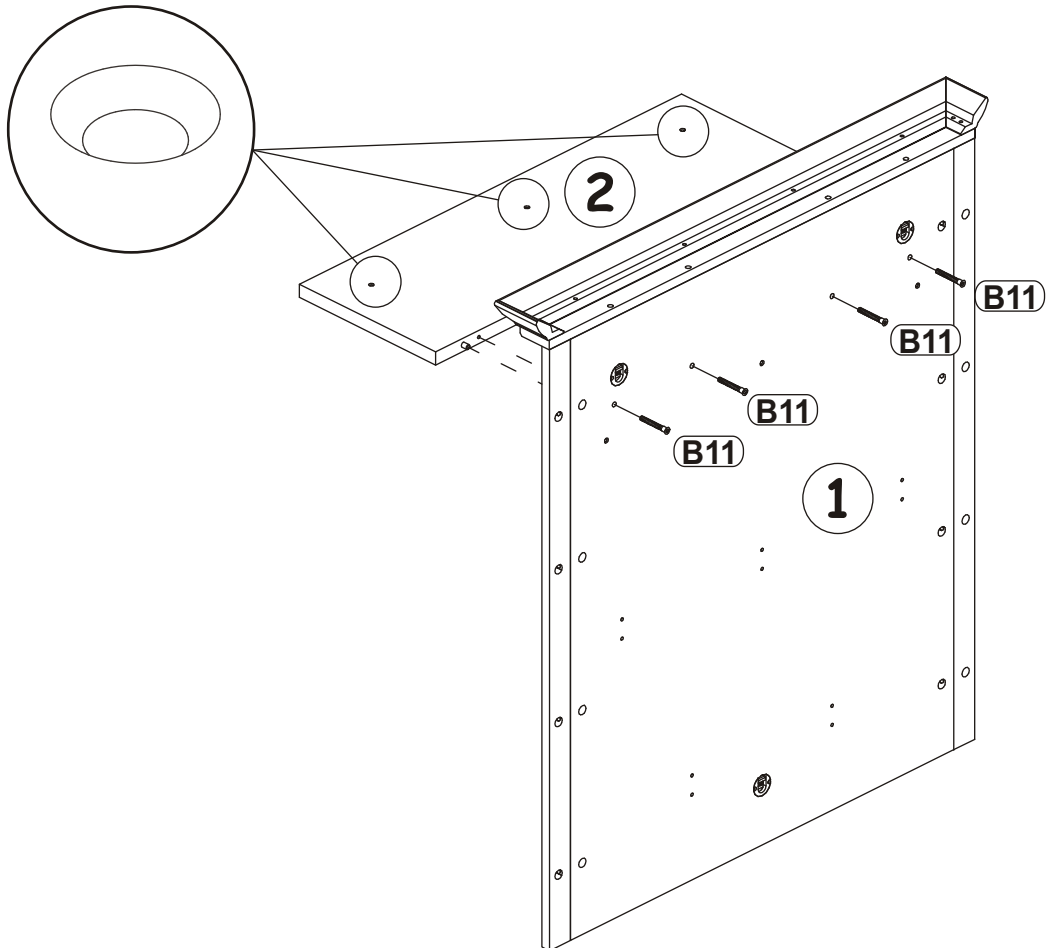
G4	
x4	

5


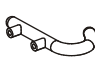
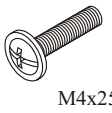




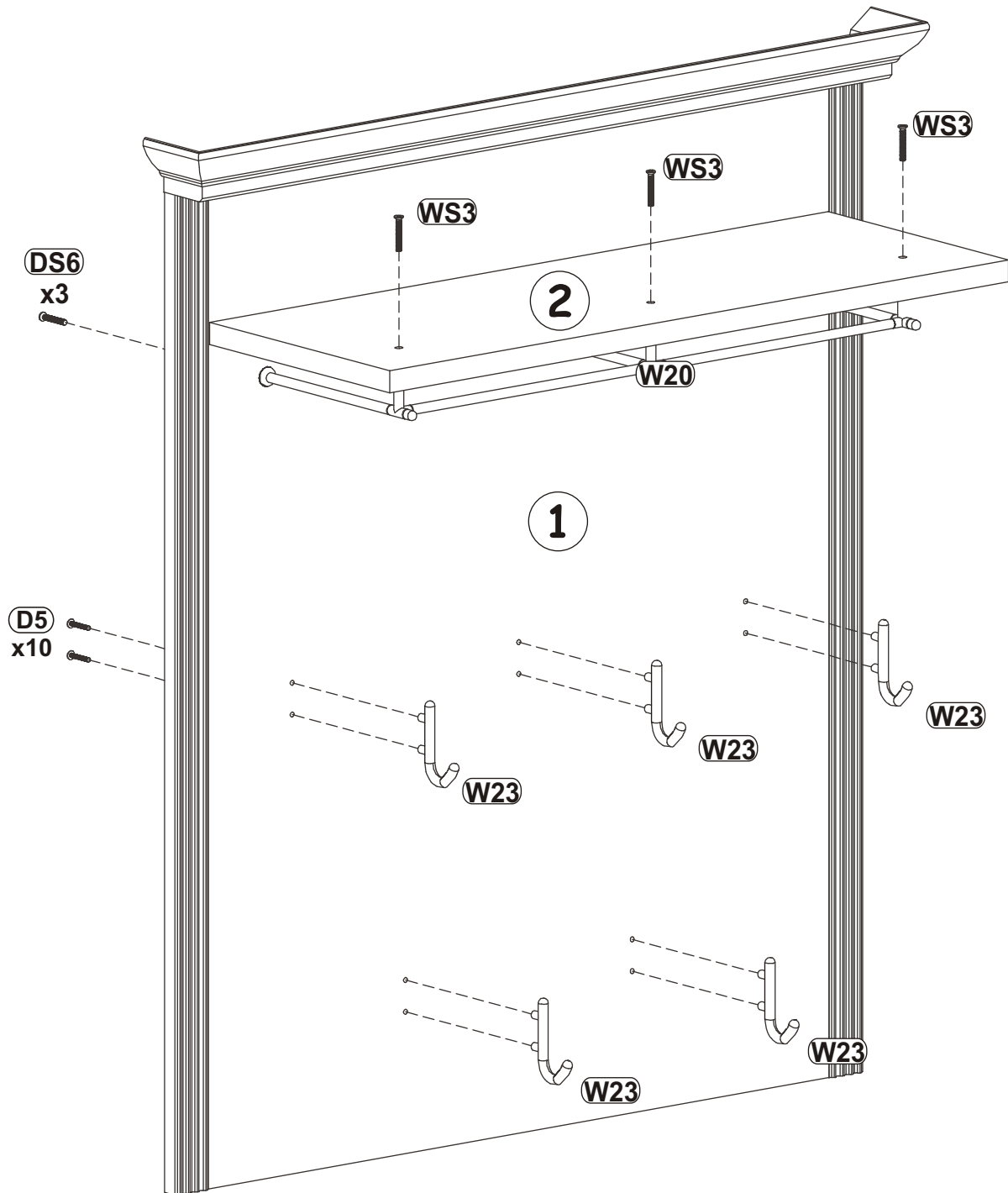
B11	
x4	Ø7x50

G4	
x4	



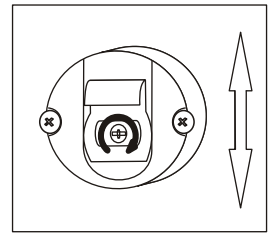
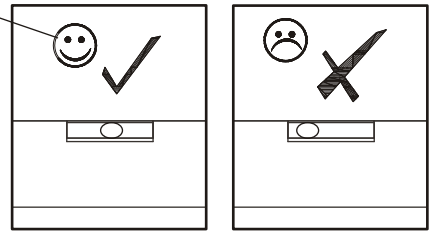
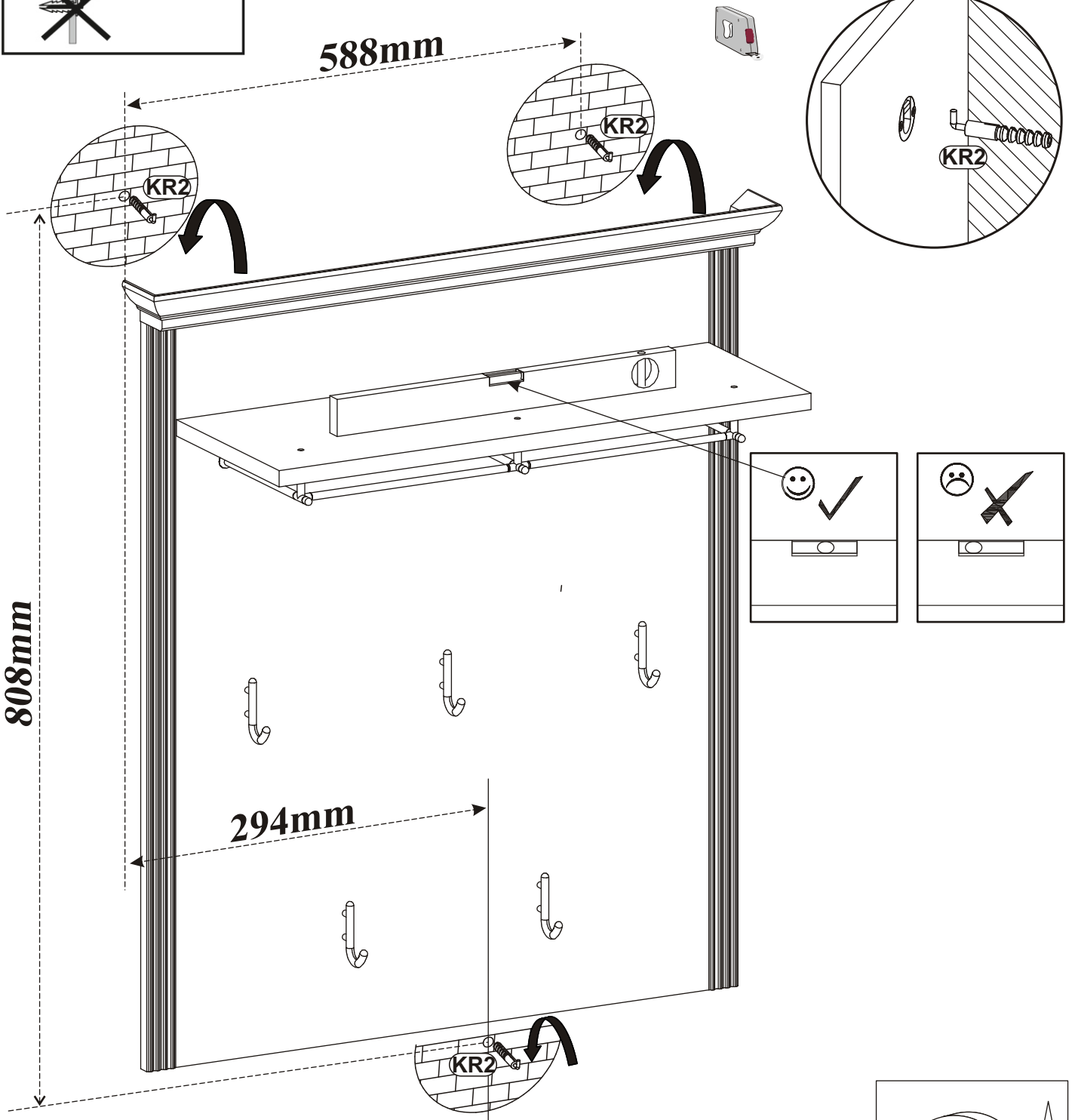
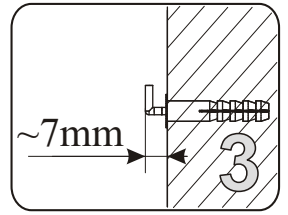
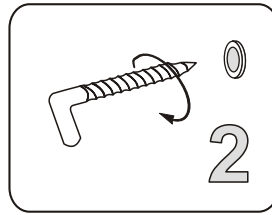
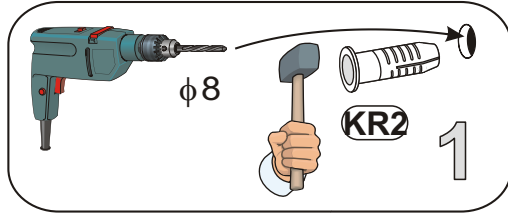
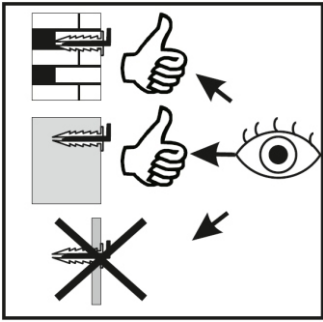
6

WS3 x3	 WS4x30	W23 x5		D5 x10	 M4x25
		W20 x1		DS6 x3	 WSM4x25

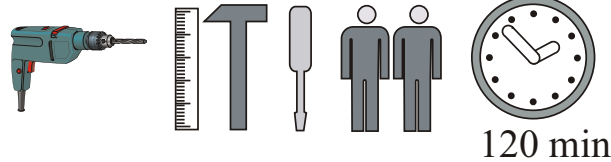
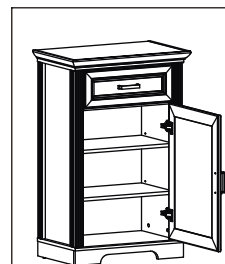
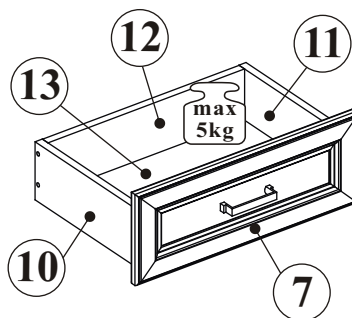
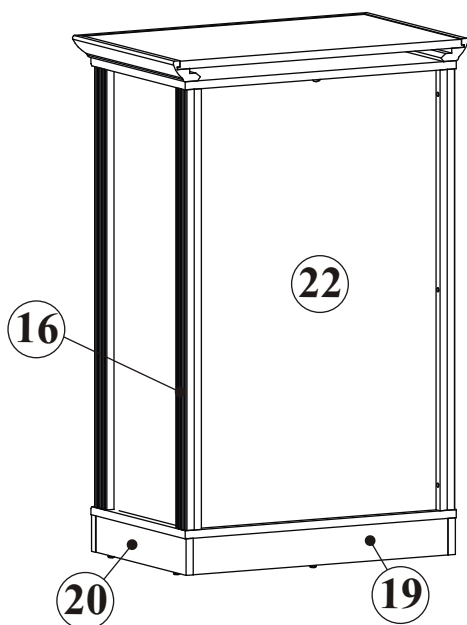
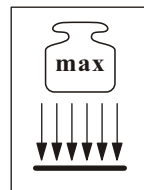
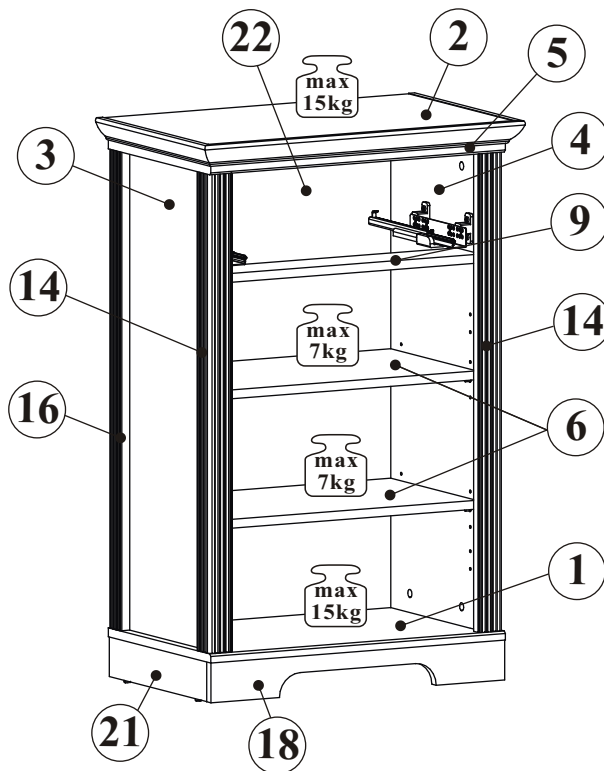
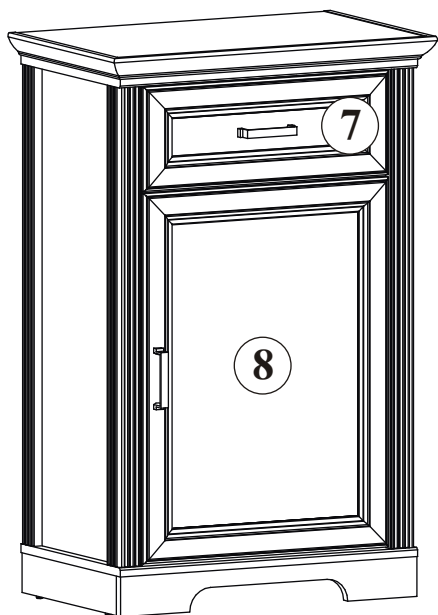


KR2
x3

7

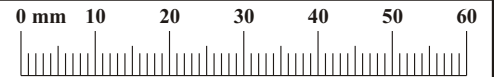


JASMIN 30B1_10

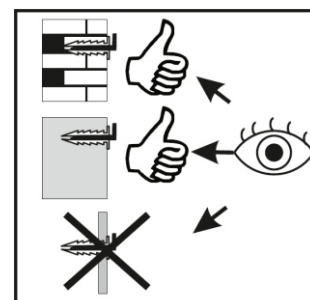
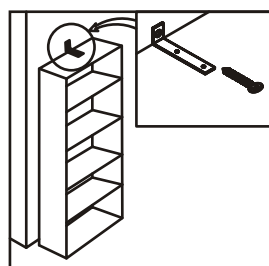
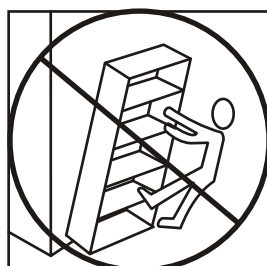
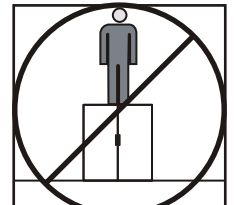
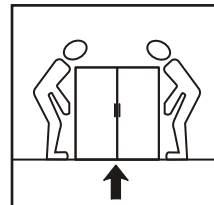
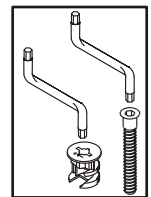
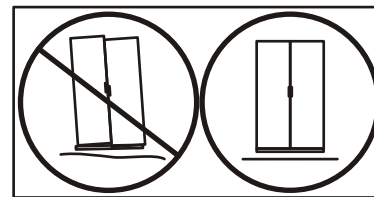
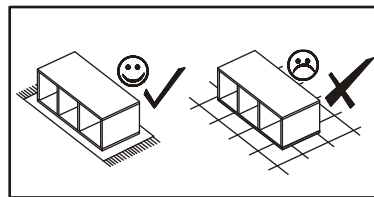
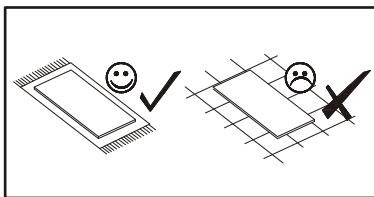
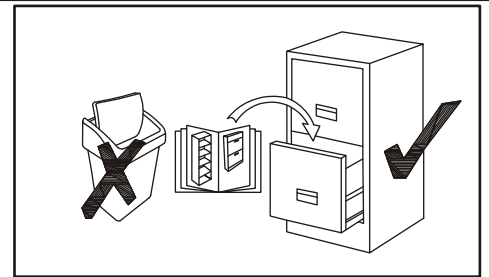
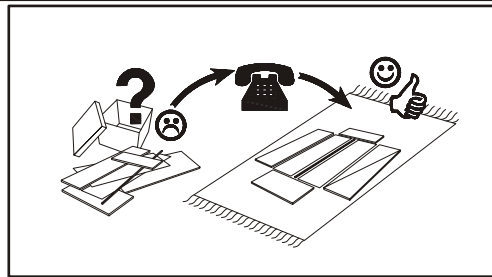
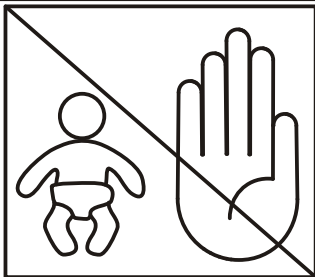


NO	Dim.		Col.-No	Qty
1	602	380	1	1
2	655	406	1	1
3	866	353	2	1
4	866	353	2	1
5	602	380	1	1
6	530	318	1	2
7	496	188	2	1
8	668	496	2	1
9	530	90	1	1
10	300	120	1	1

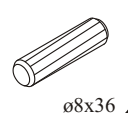

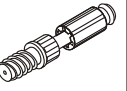
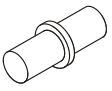


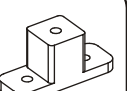

NO	Dim.		Col.-No	Qty
11	300	120	1	1
12	440	106	1	1
13	304	452	1	1
14	866	49	2	2
16	866	43	2	2
18	600	72	2	1
19	566	72	2	1
20	363	72	2	1
21	363	72	2	1
22	878	542	2	1

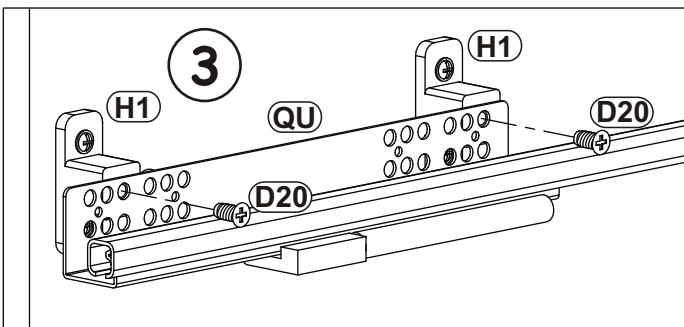
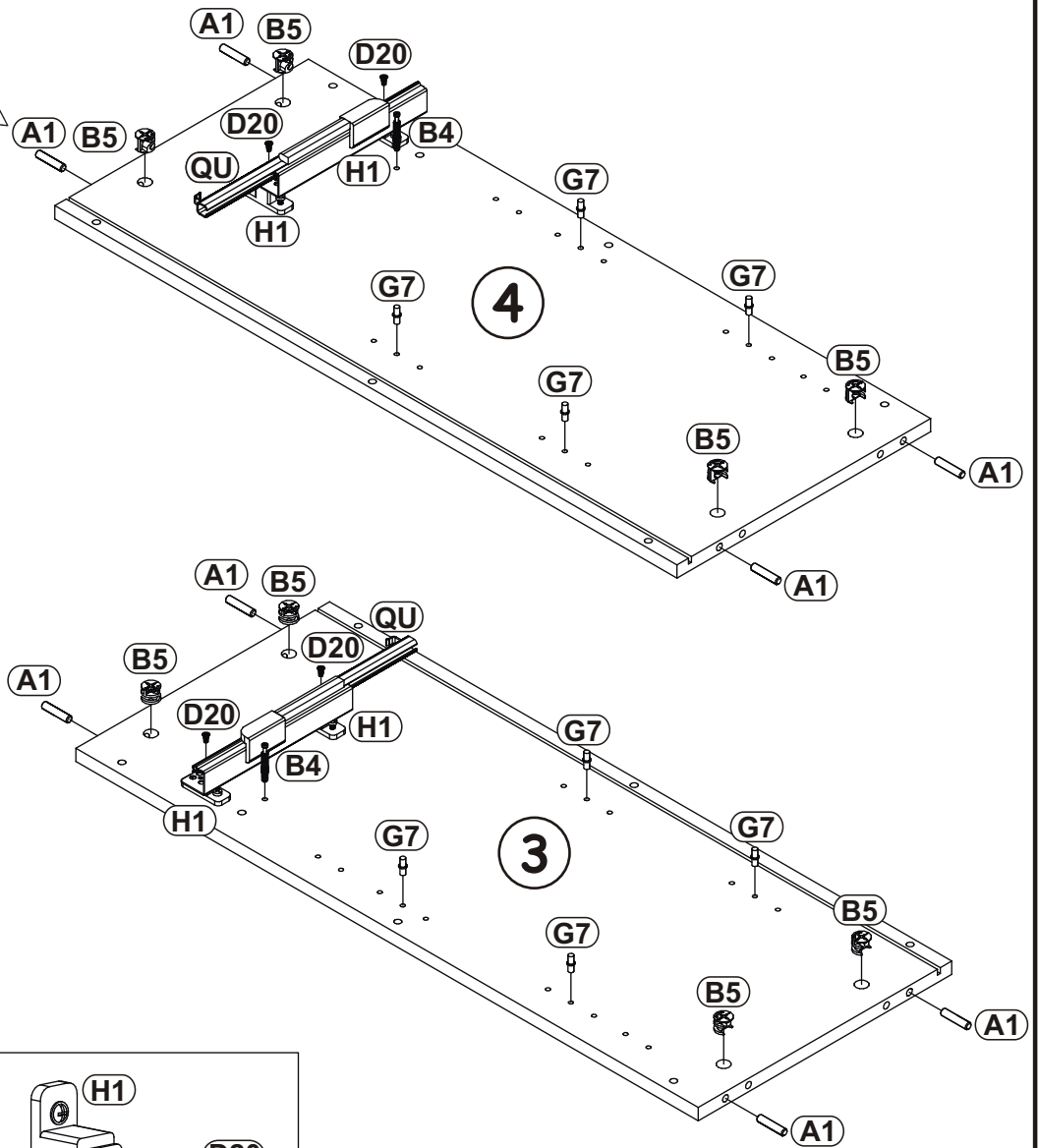
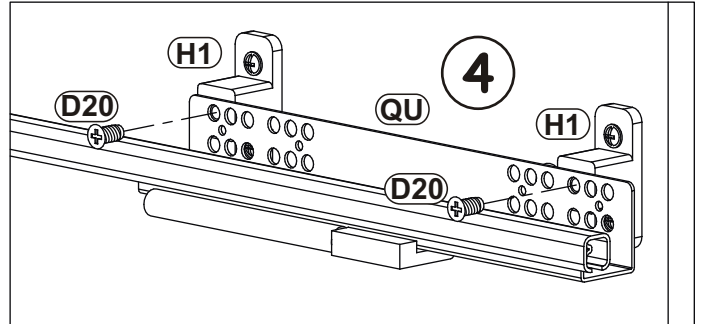
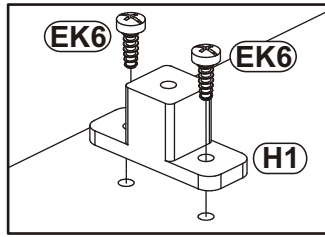
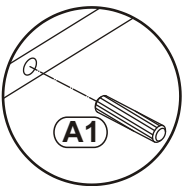
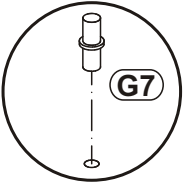
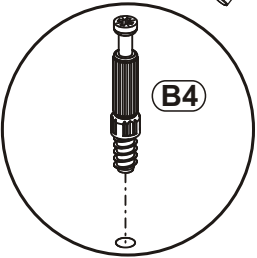
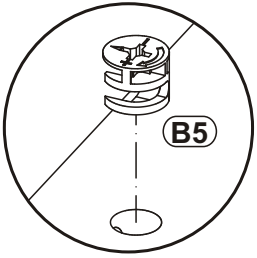


A1 x26 ø8x36	B4 x22	B5 x22 ø15x12	G5 x22	B11 x4 Ø7x50	B14 x19 Ø7x30
E17 x2 H=16	E13 x2	E0 x2 H=11	EK8 x4 EKØ6,3x24	G4 x16	G12 x7 Ø14
QU x1 L-300	D20 x4 ESØ6,3x9,5	D10 x8 USØ3,5x13	H1 x4	EK6 x8 EKØ6,3x13	G7 x8
C19 x2	D34 x2 M4x16	D4 x2 M4x30	KM1 x1	UP13 x4 UPØ3x16	Z2 x4 Ø5
I2 x5	S1 x11	L1 x1	KR1 x1	G2 x1	

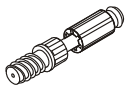


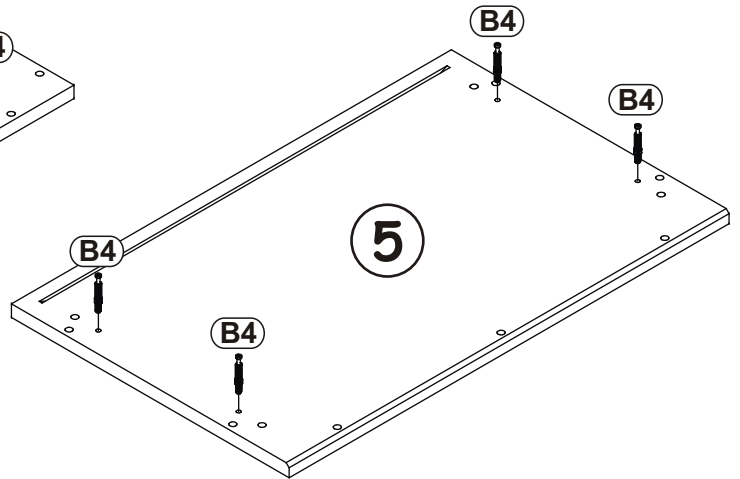
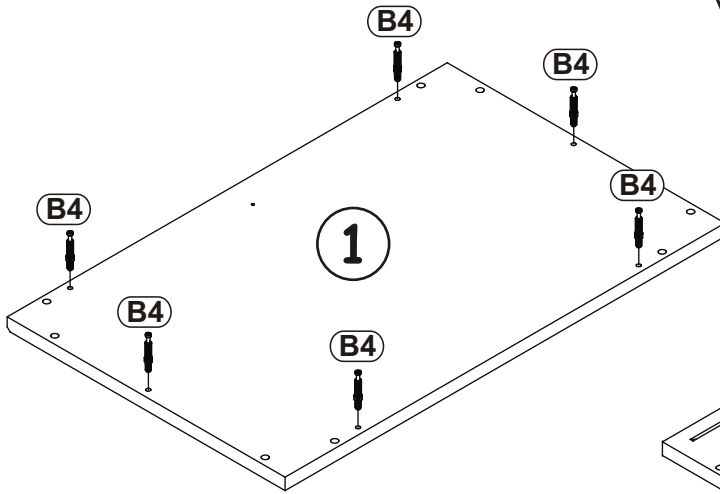
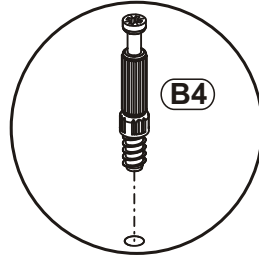
1

A1 x8	 ø8x36	B5 x8	 ø15x12	B4 x2		G7 x8	
QU x1	 L-300	D20 x4	 ESØ6,3x9,5	H1 x4		EK6 x8	 EKØ6,3x13

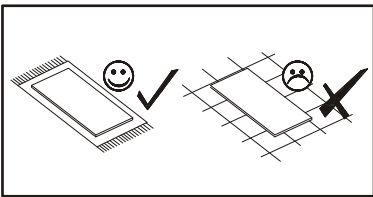



2


B4	
x10	

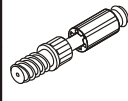


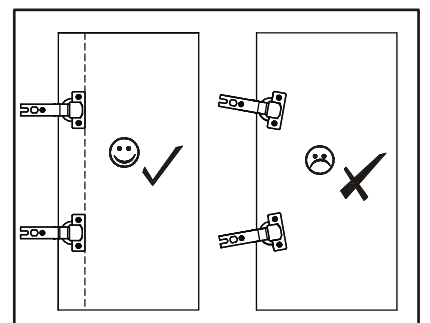
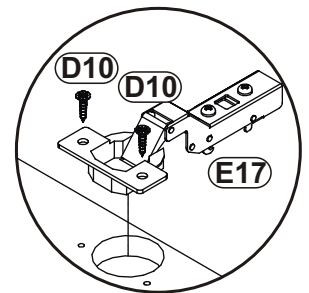
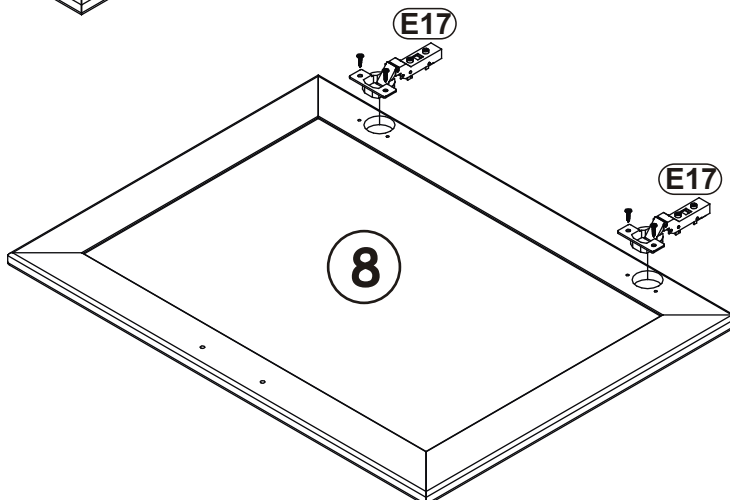
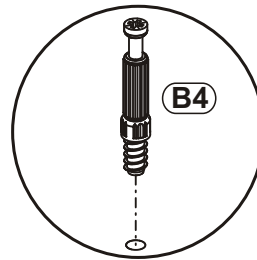
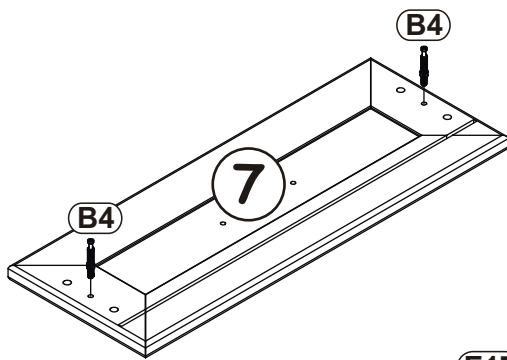
3



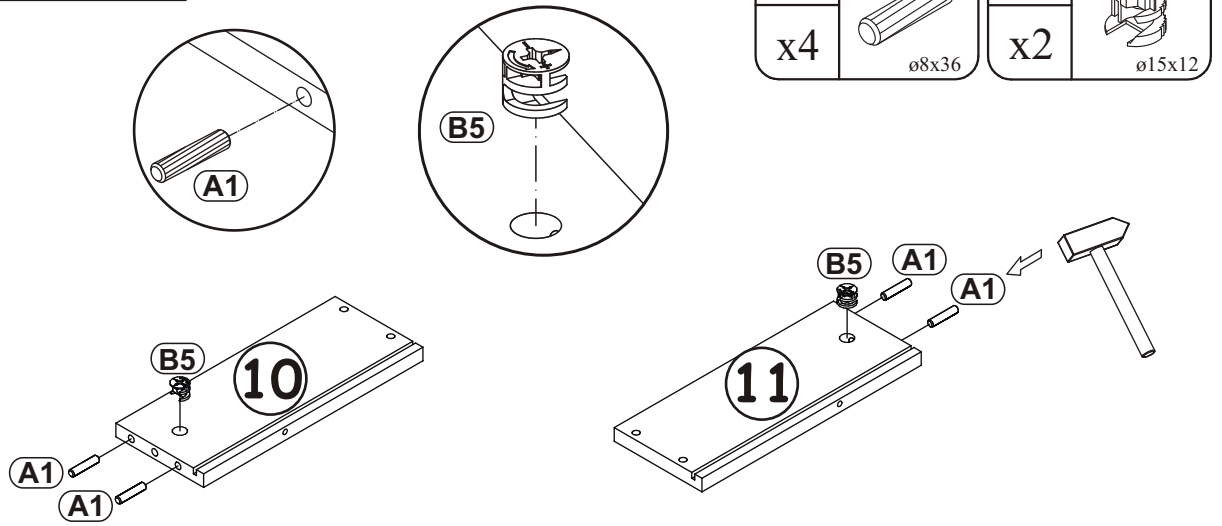
E17	
x2	H=16

D10	
x4	USØ3,5x13

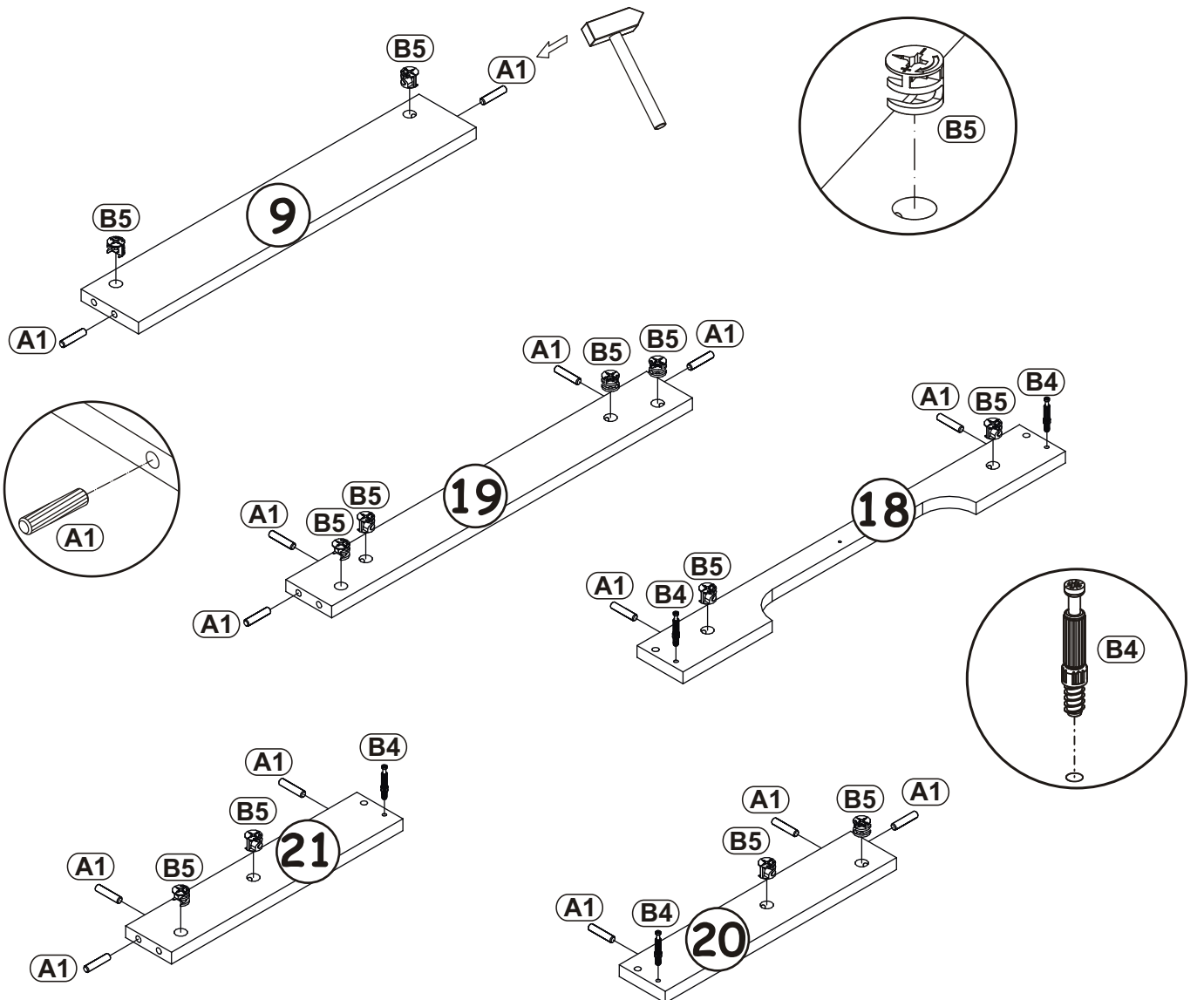
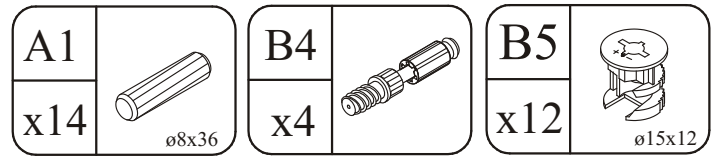
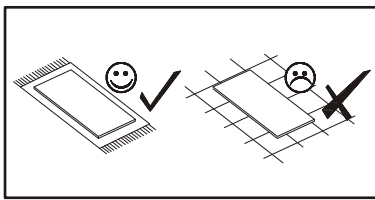
B4	
x2	

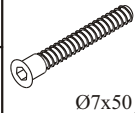



4

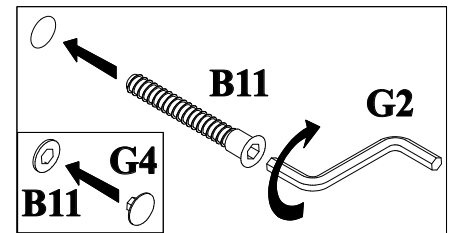
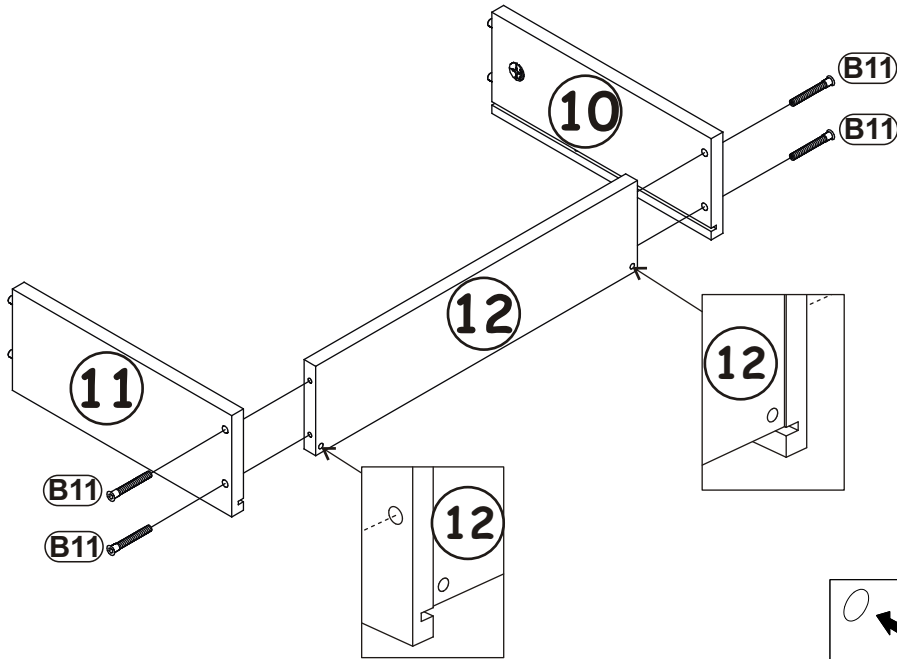


5




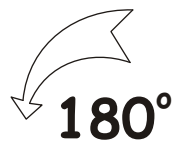
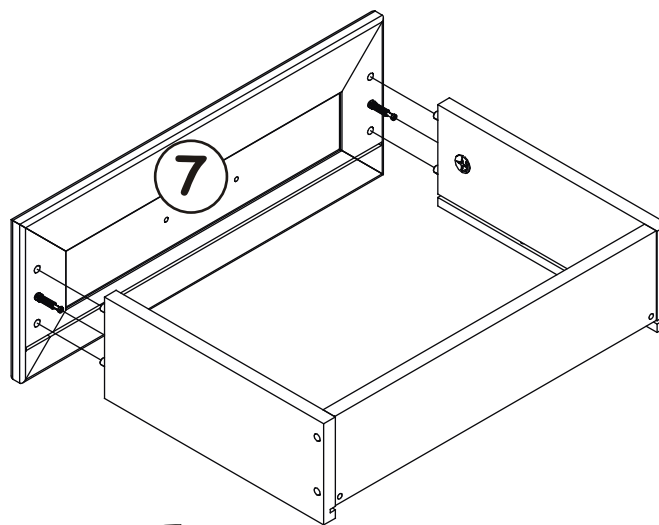
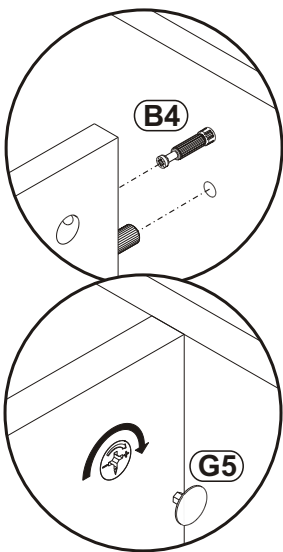
B11		G4	
x4	Ø7x50	x4	

6

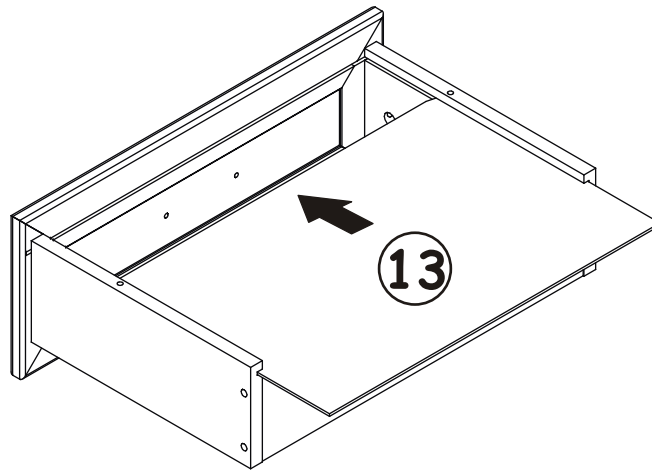


7

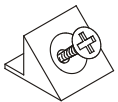

G5	
x2	

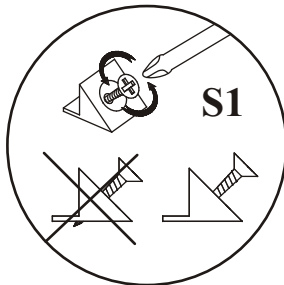


8

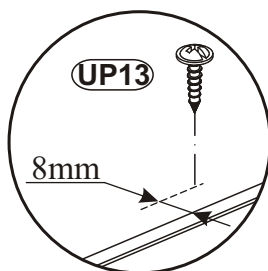
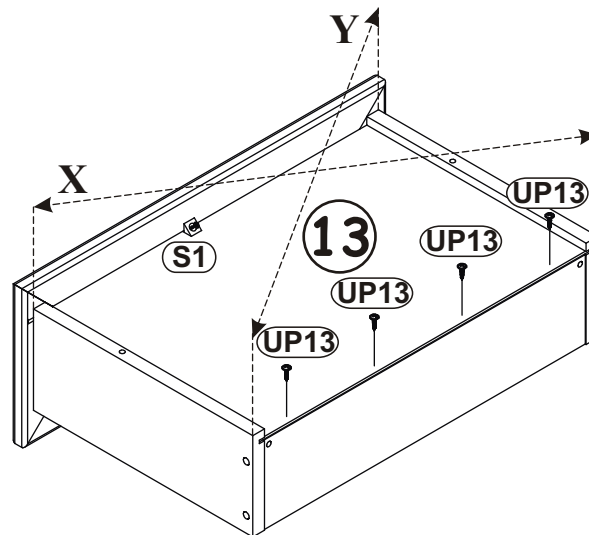


9



S1		UP13	
x1		x4	UPØ3x16

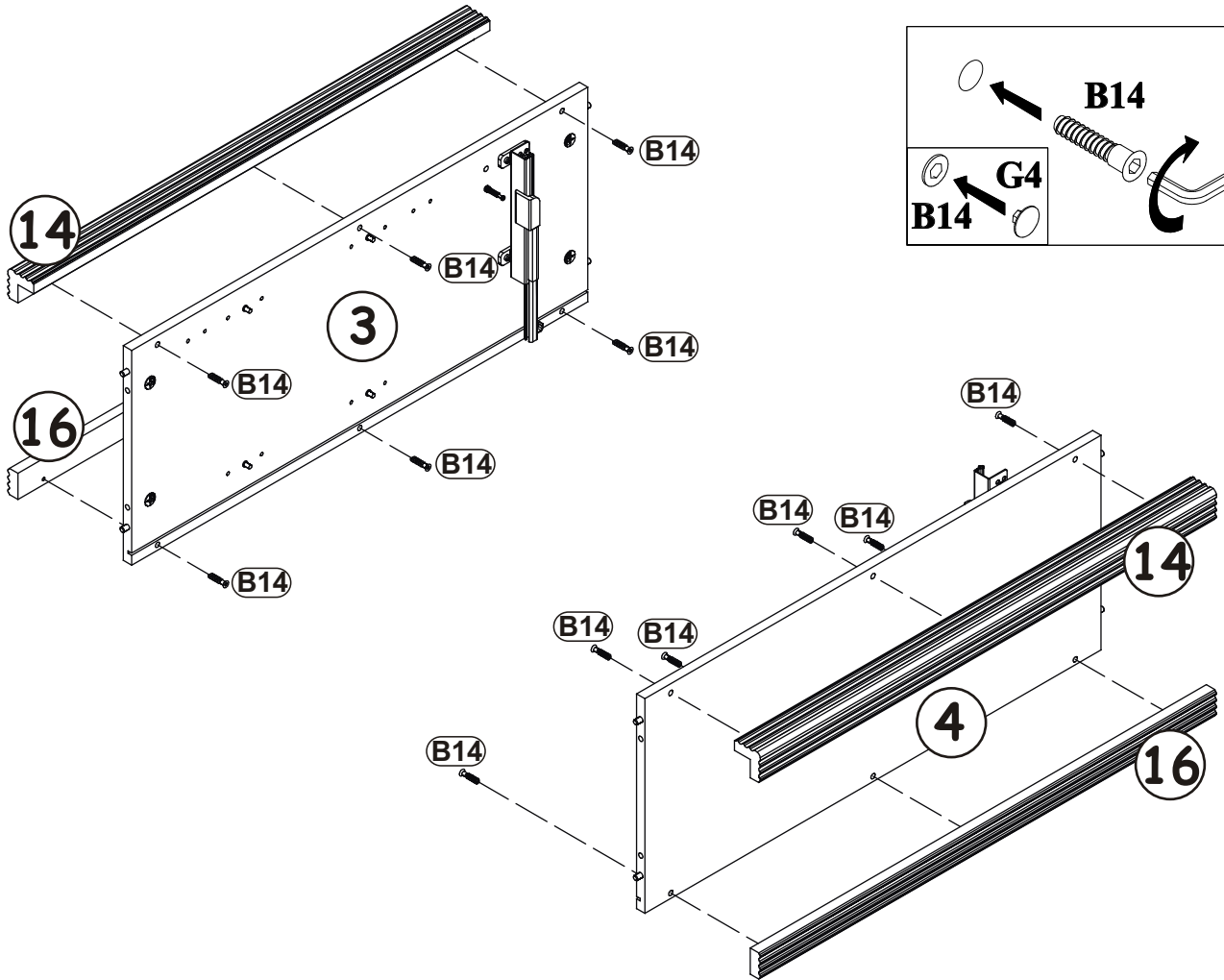


X=Y 




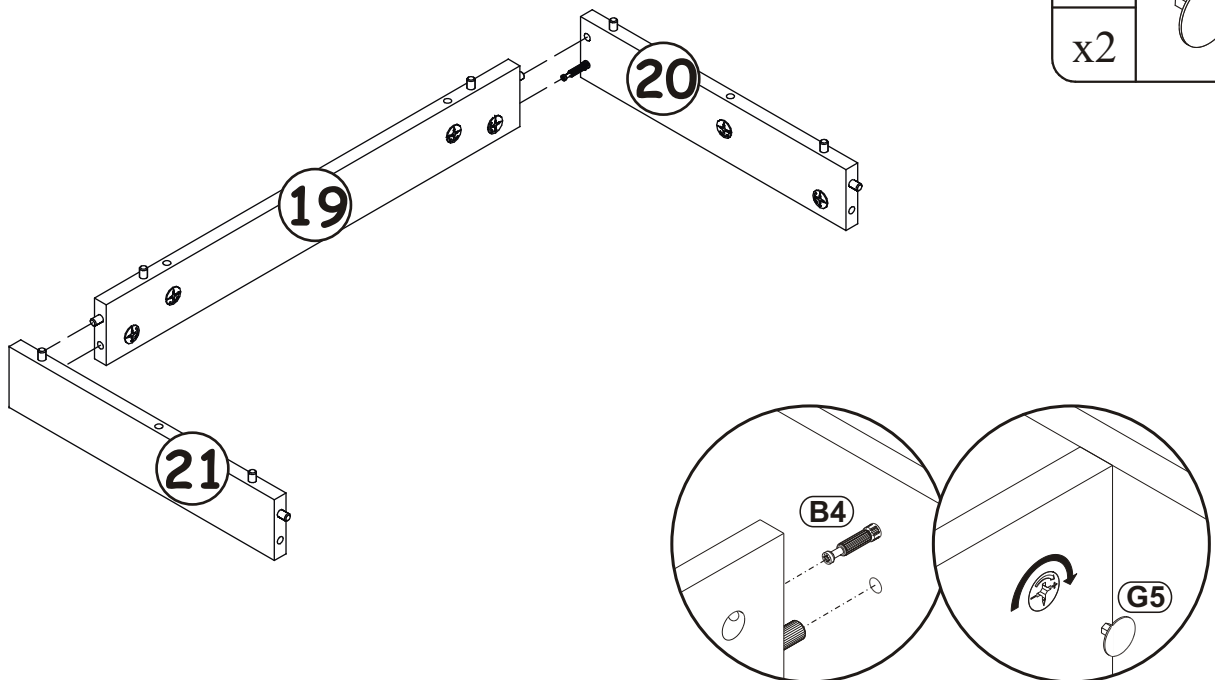
10

B14		G4	
x12	Ø7x30	x12	




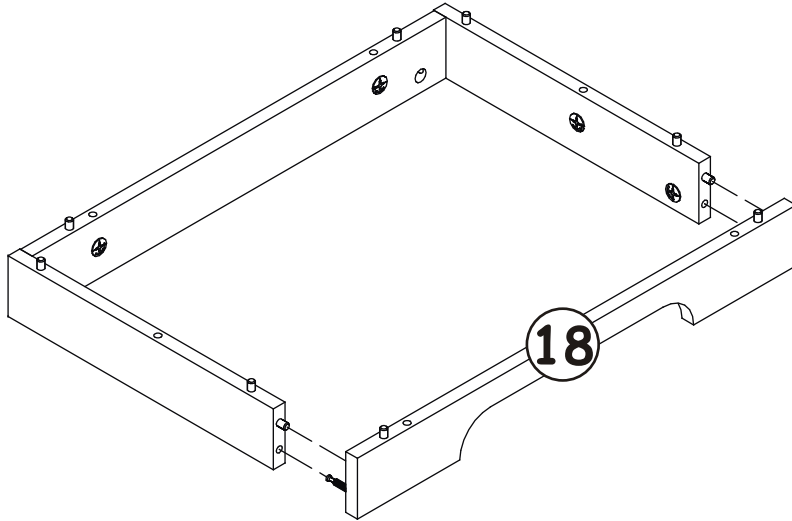
11

G5	
x2	

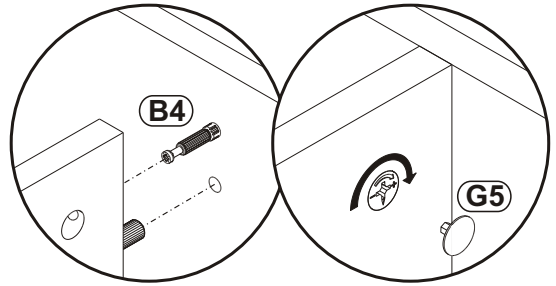


12


G5	
x2	

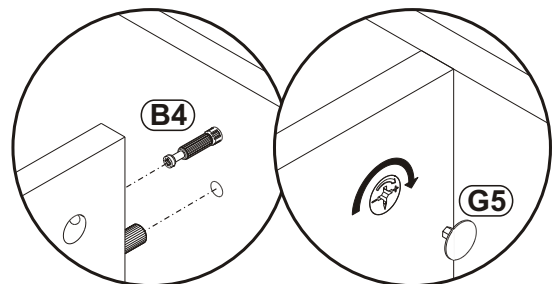
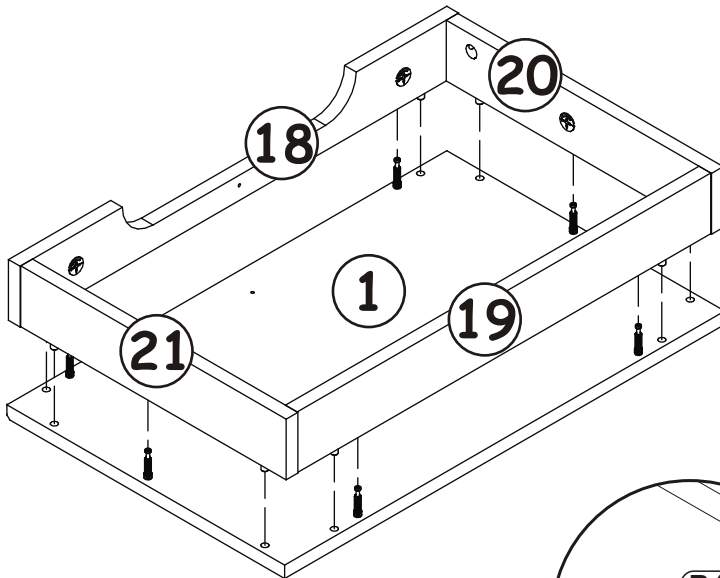


180°

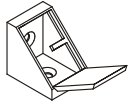




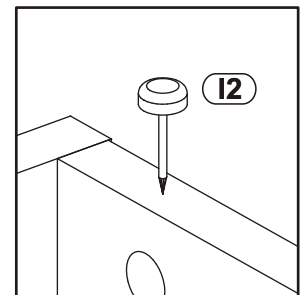
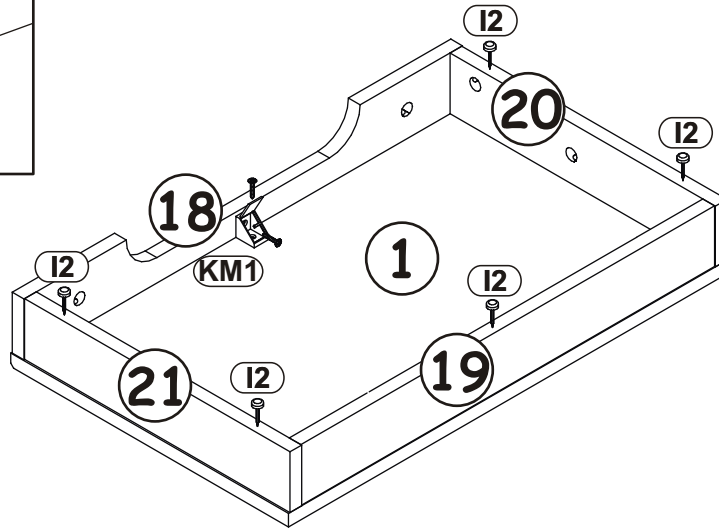
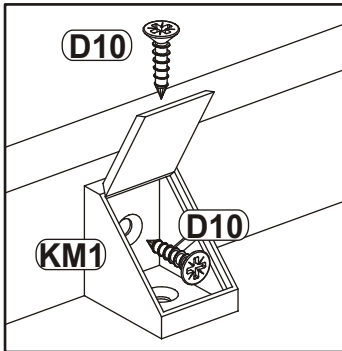
13

G5	
x6	

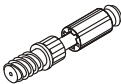


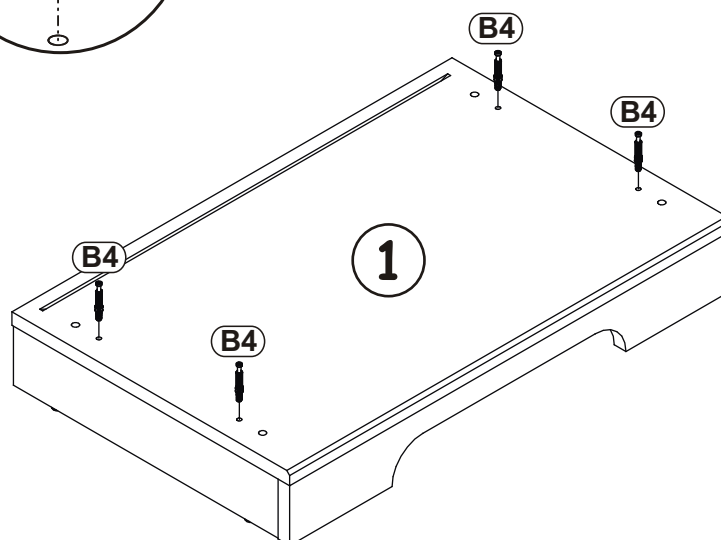
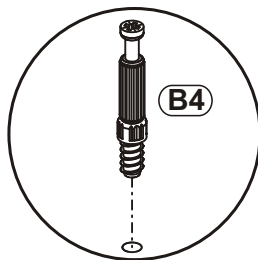
14

KM1		D10		I2	
x1		x2	USØ3,5x13	x5	




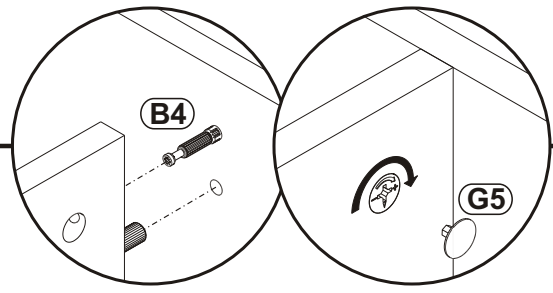
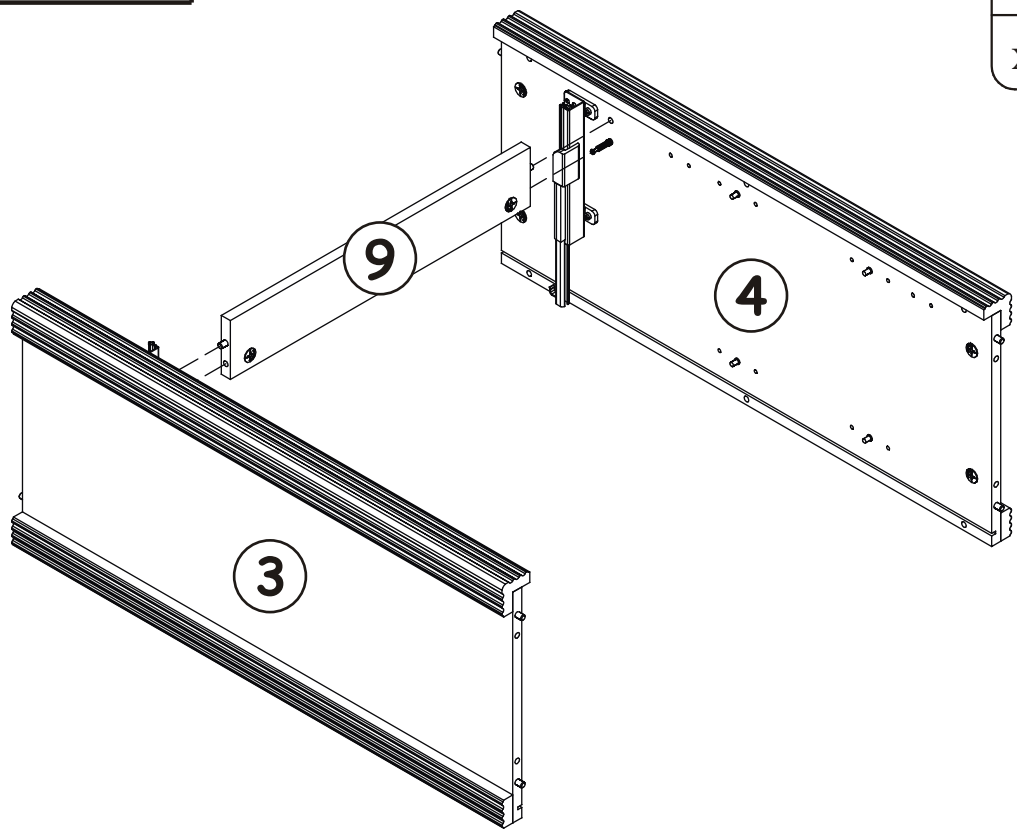
15

B4	
x4	




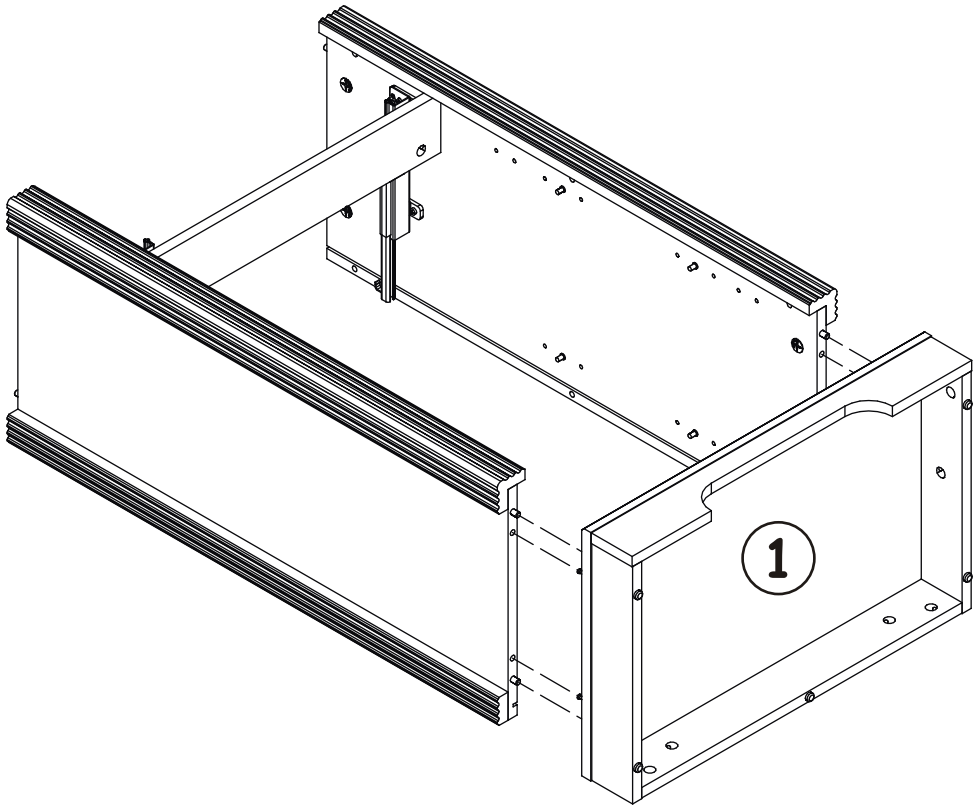
16

G5	
x2	

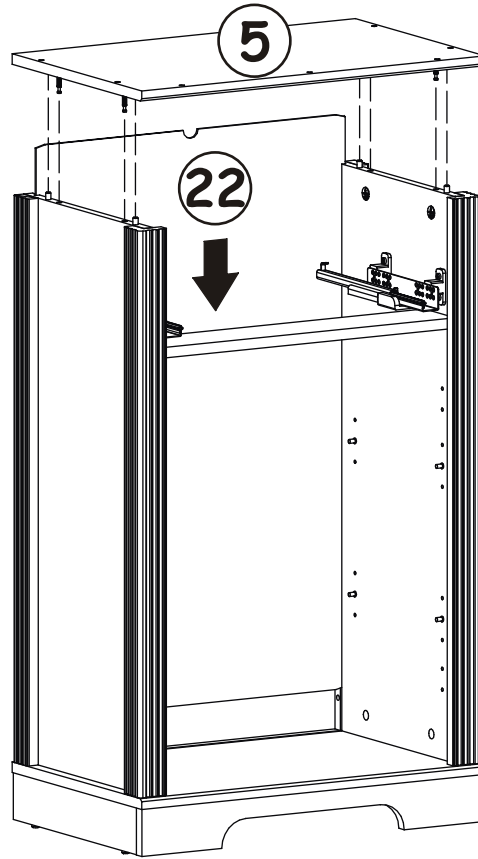
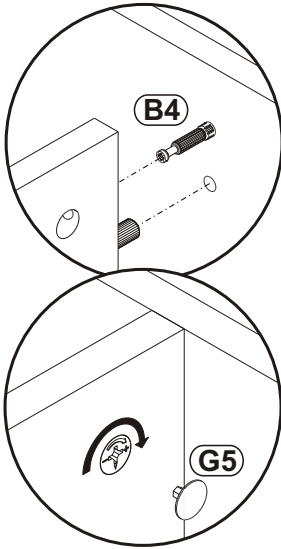


17

G5	
x4	



18

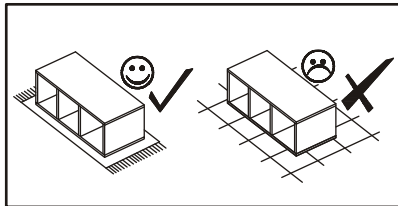


G5

x4



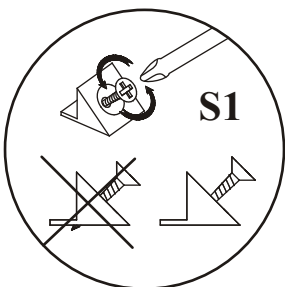
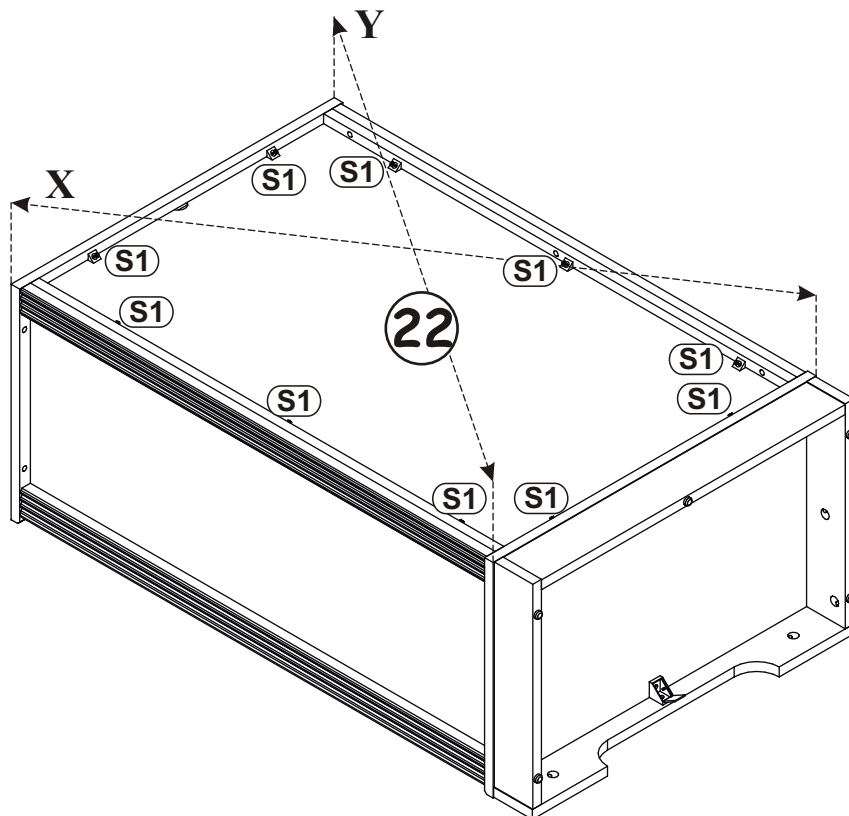
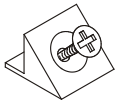
19



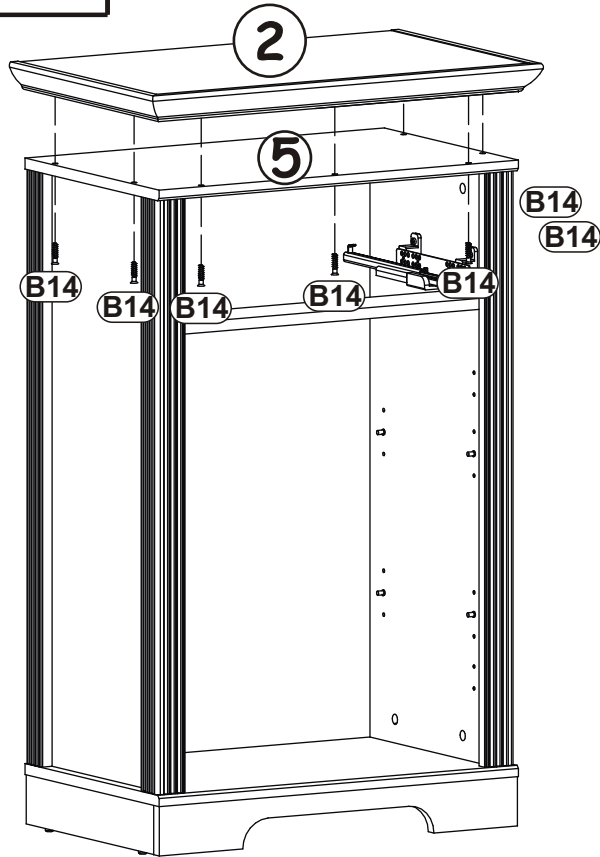
$X=Y$ 90°

S1

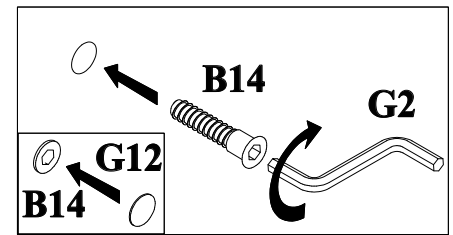
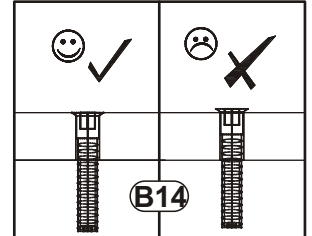
x10



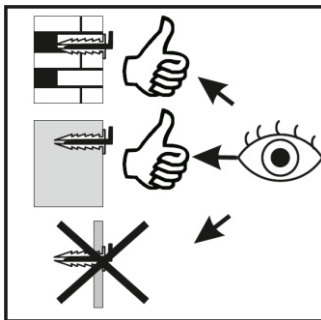
20



B14		G12	
x7	Ø7x30	x7	Ø14



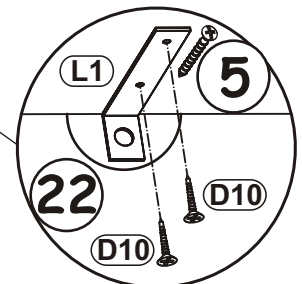
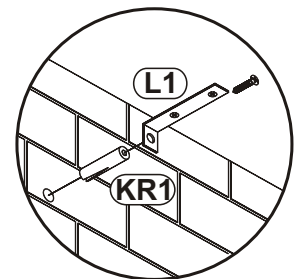
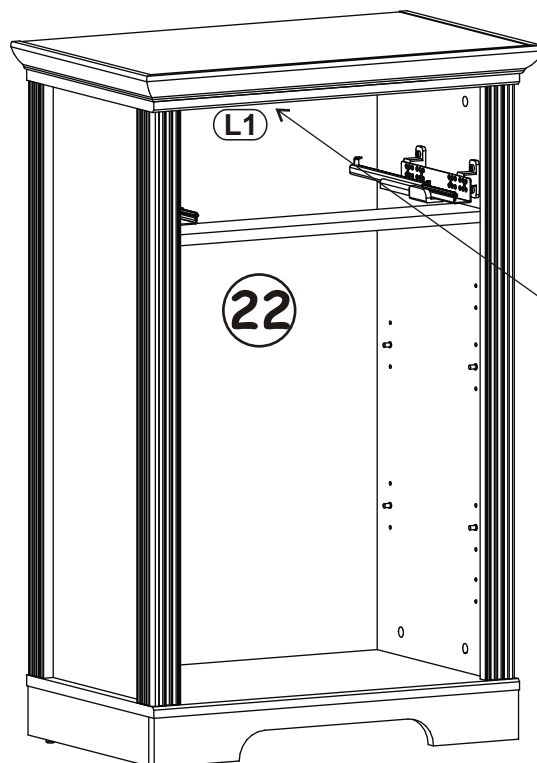
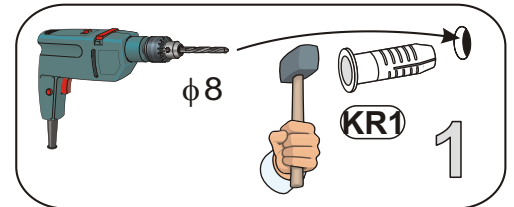
21



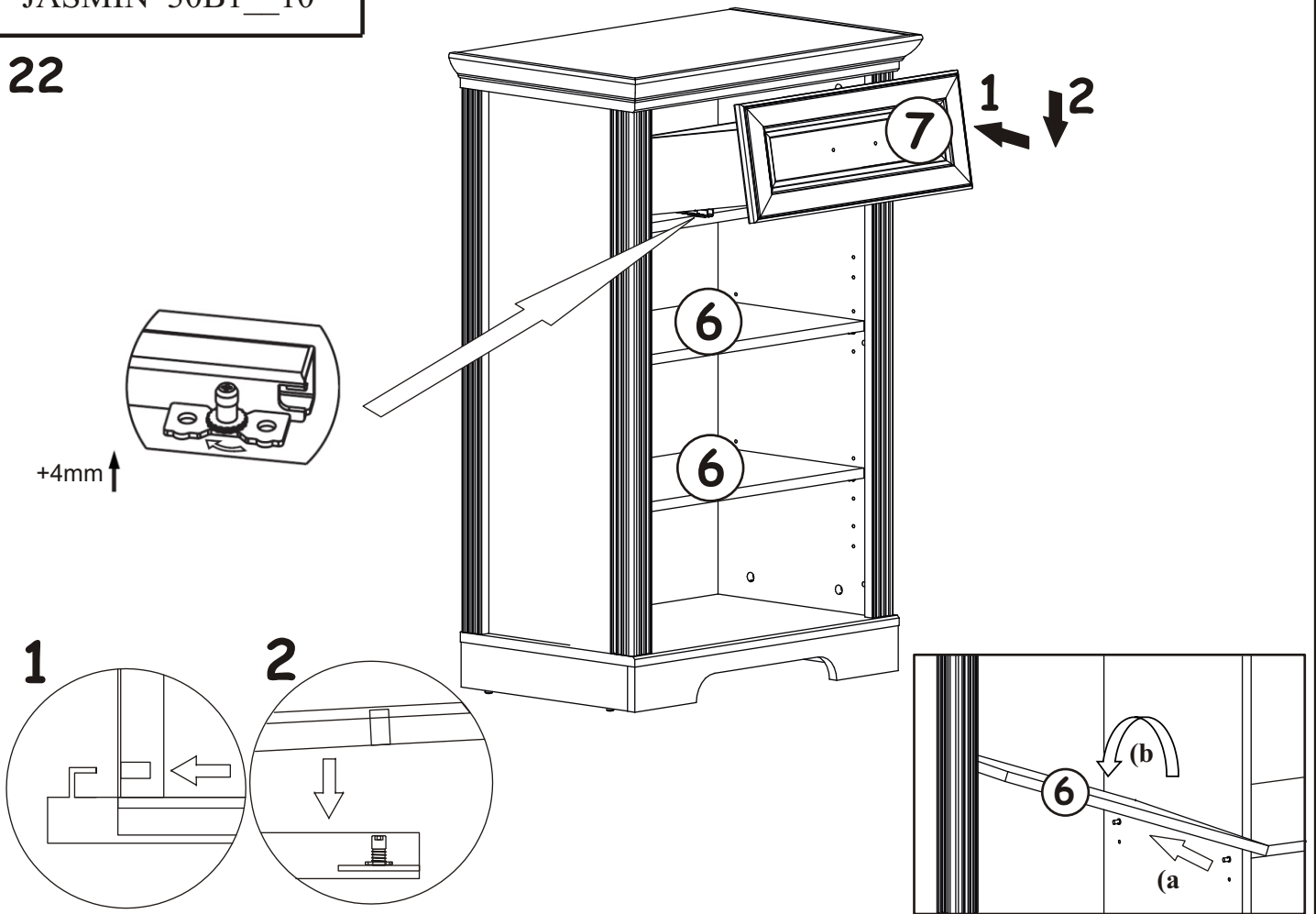
L1	
x1	

KR1	
x1	

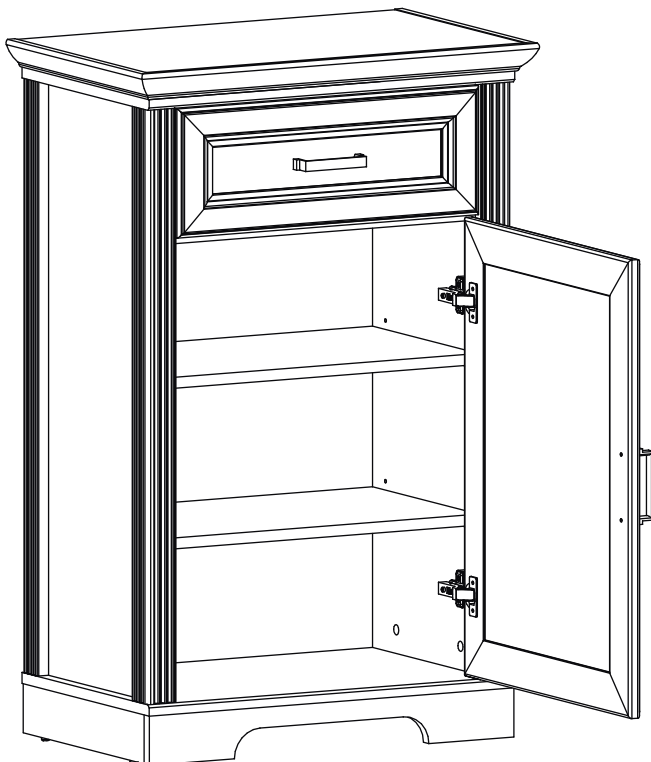
D10	
x2	USØ3,5x13



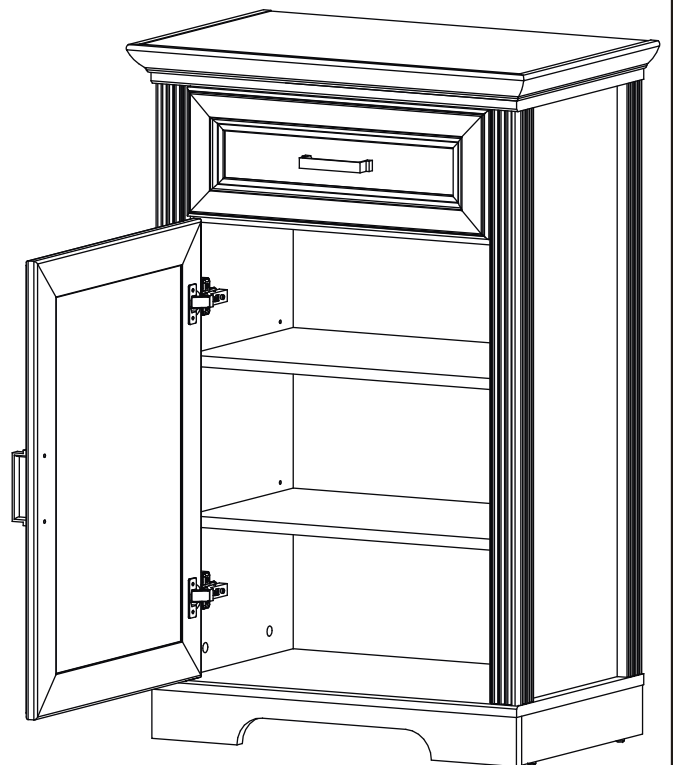
22



23-26



27-30



23

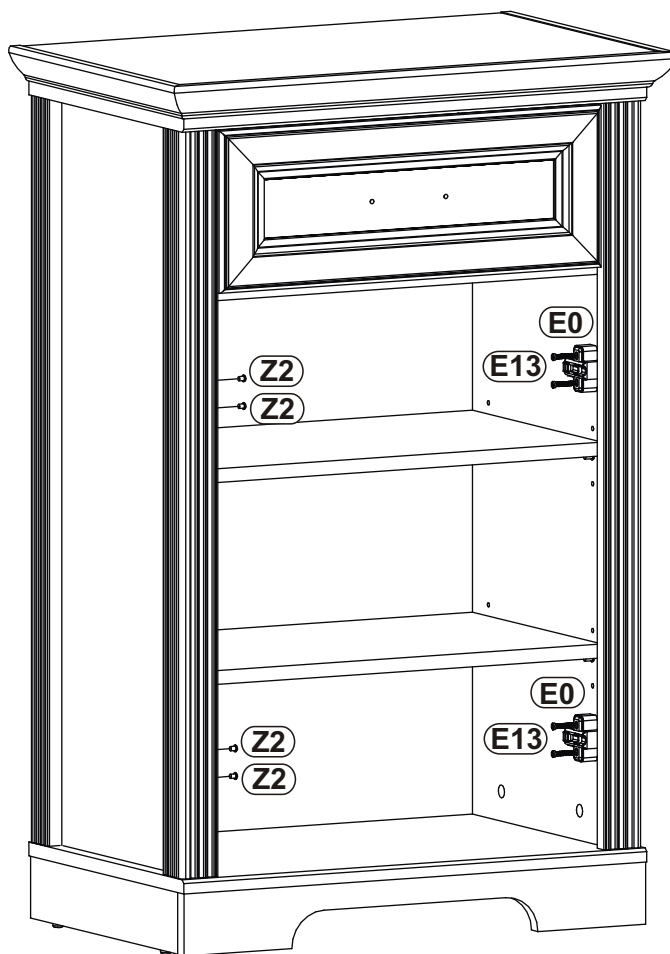
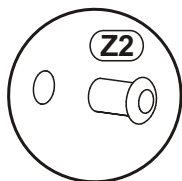
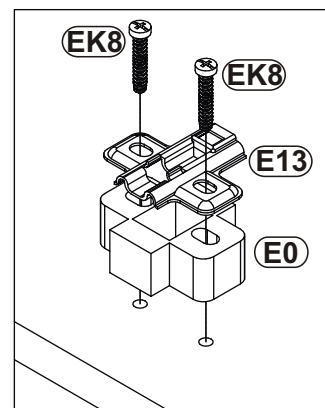
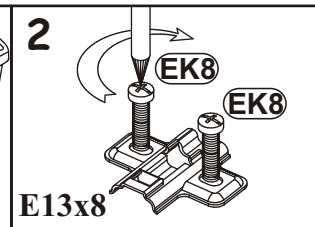
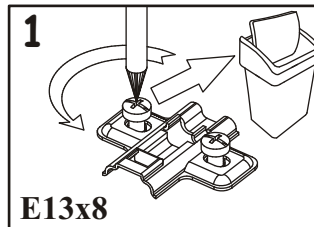
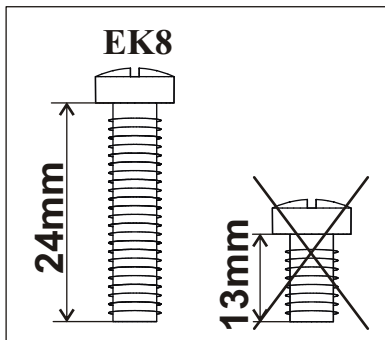
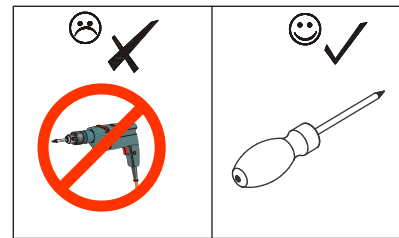


E13	
x2	

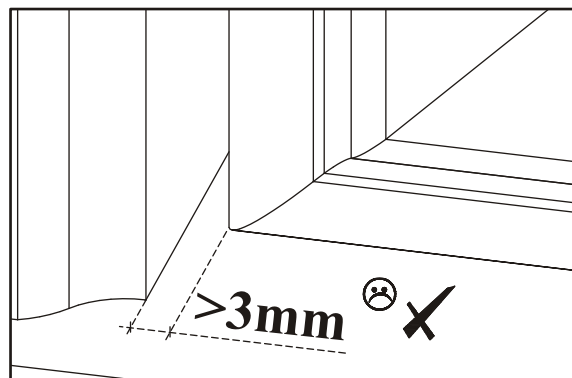
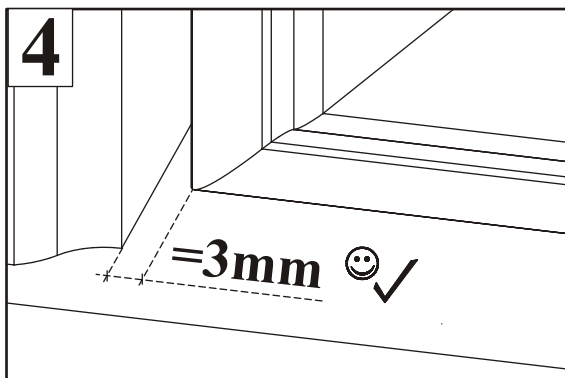
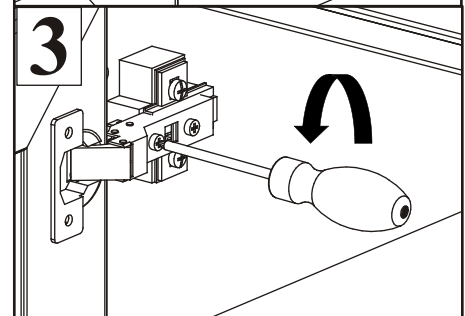
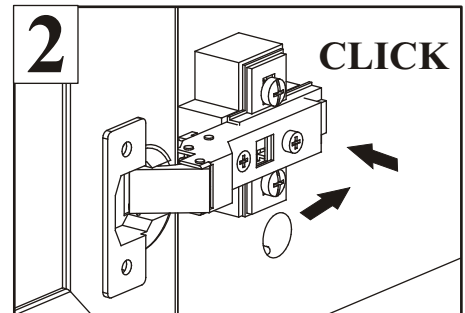
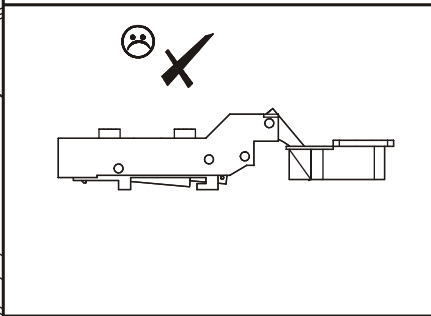
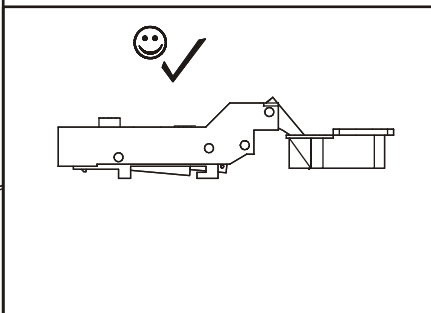
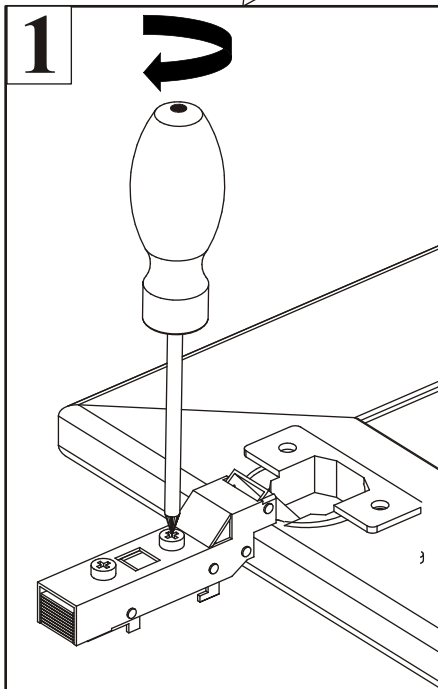
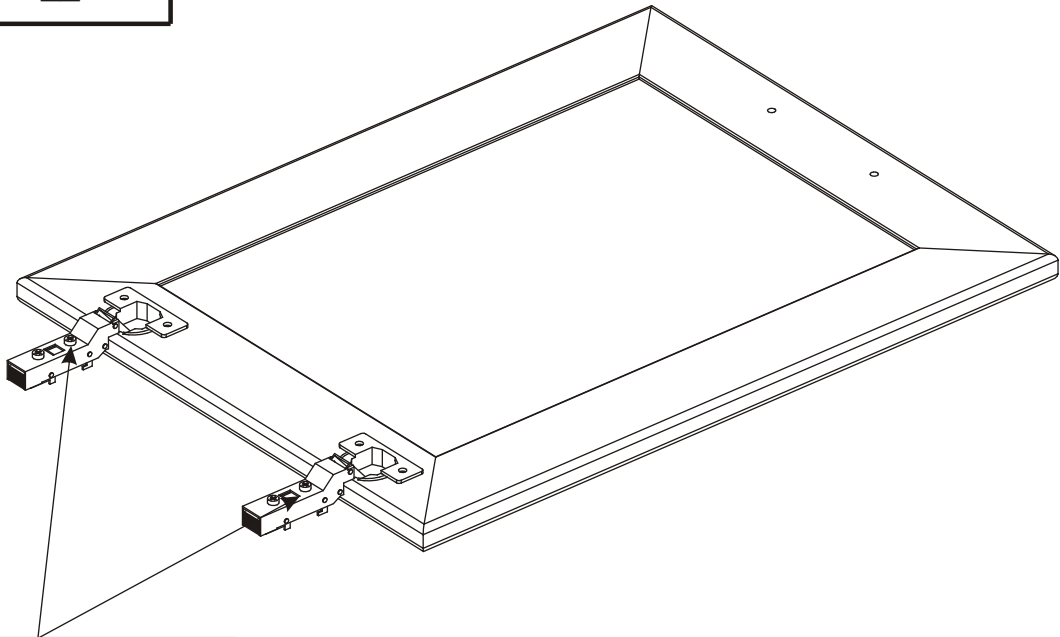
E0	
x2	H=11

EK8	
x4	EKØ6,3x24

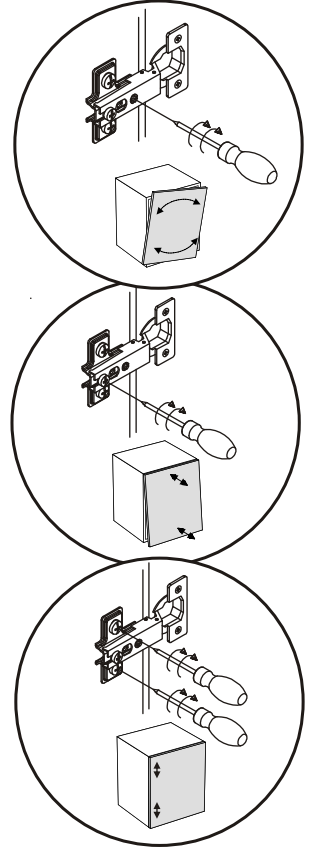
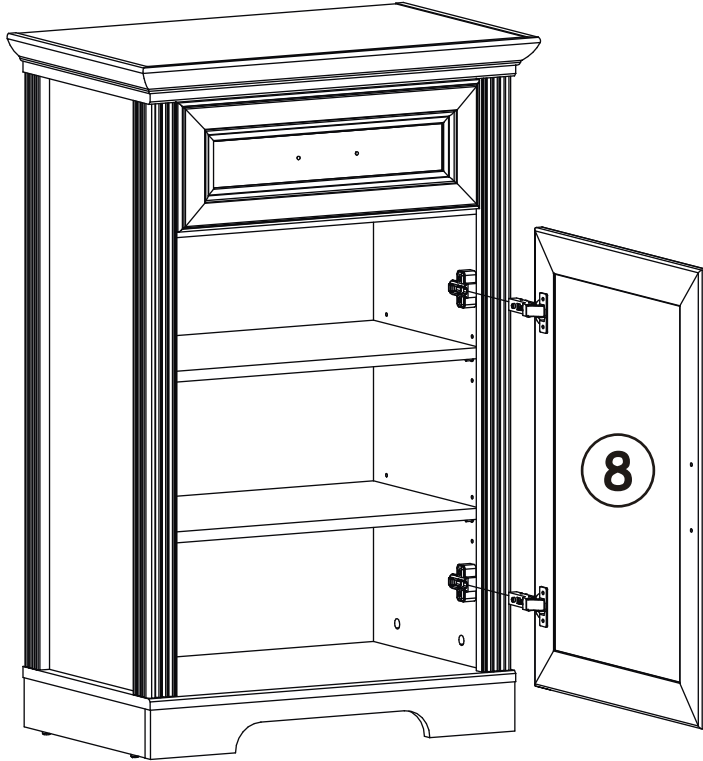
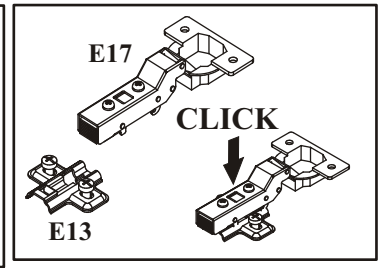
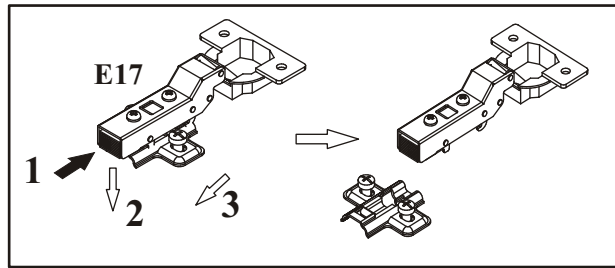
Z2	
x4	Ø5



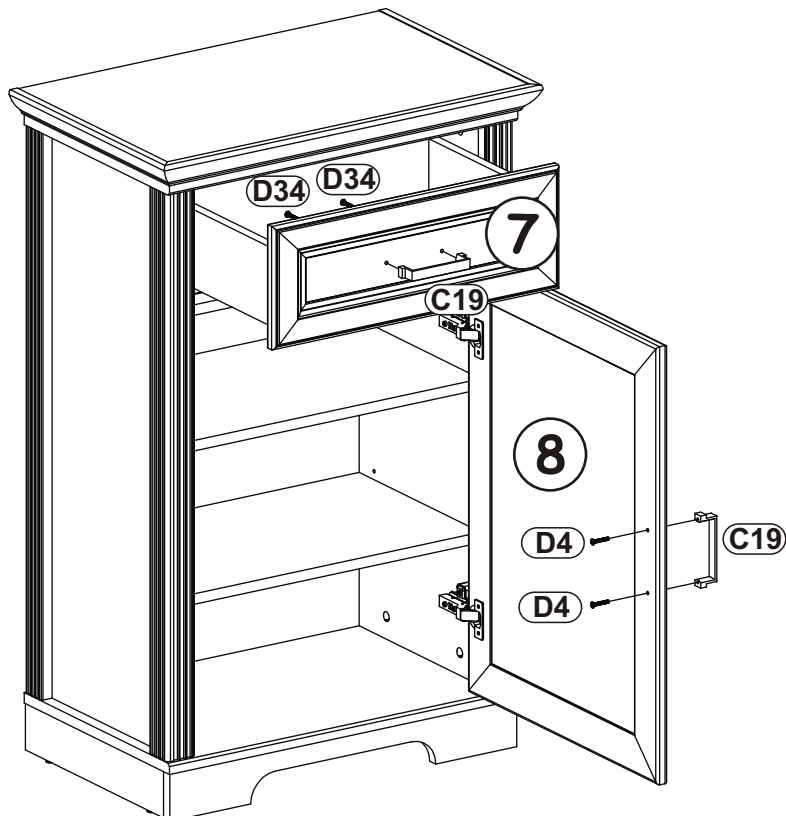
24



25



26



C19	
x2	
D34	
x2	M4x16
D4	
x2	M4x30

27

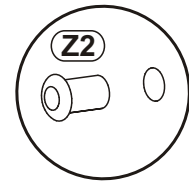
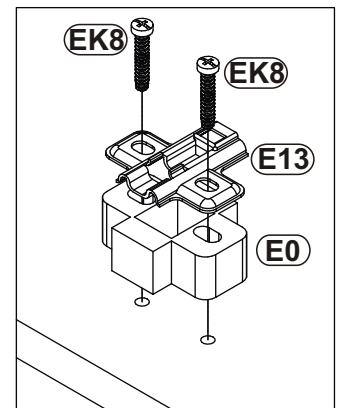
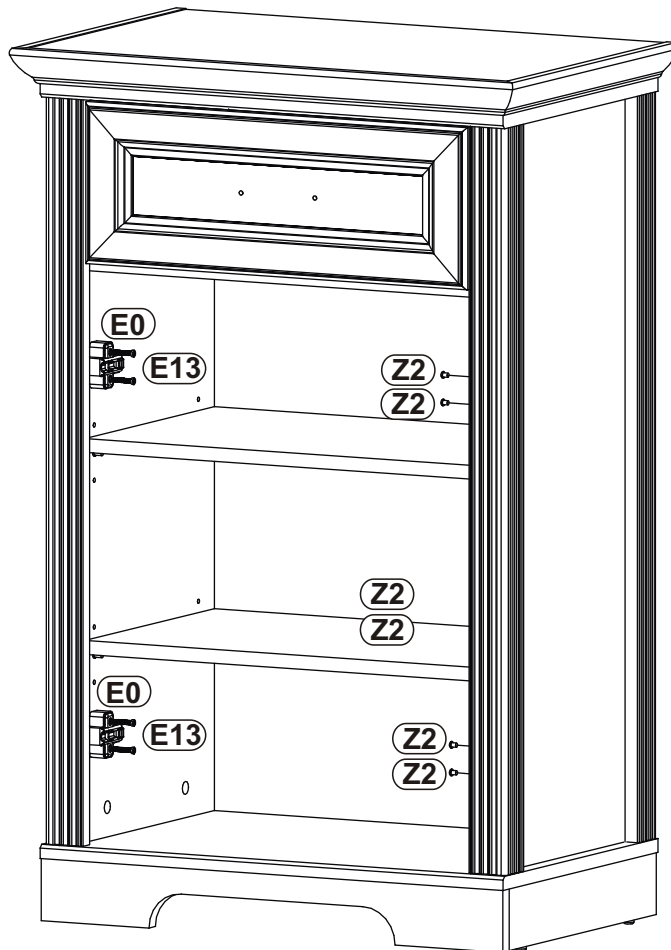
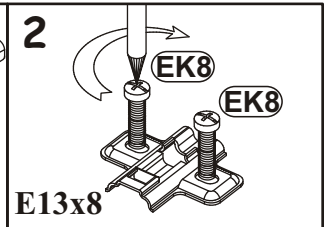
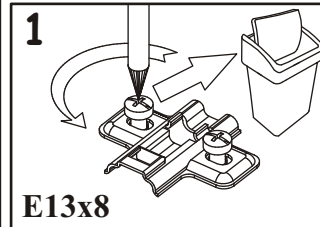
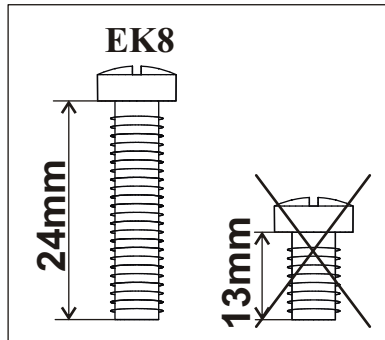
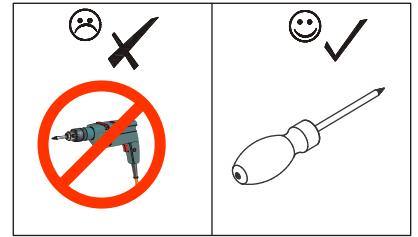


E13	
x2	

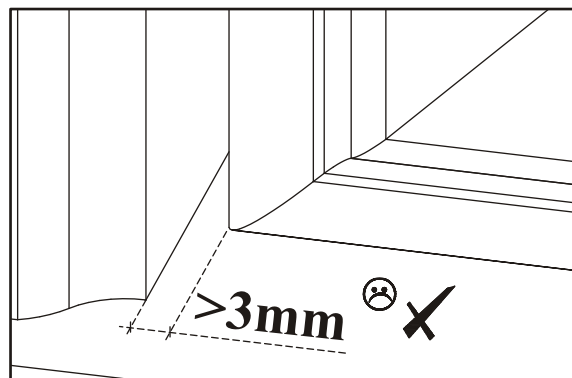
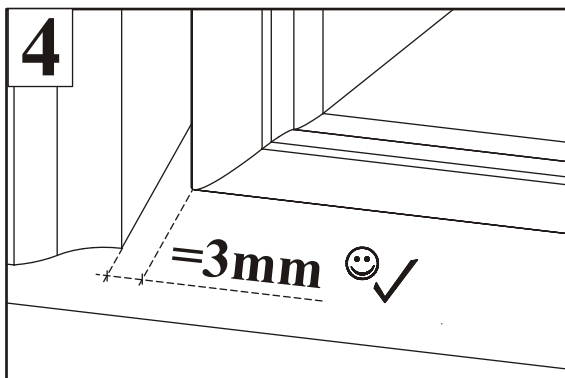
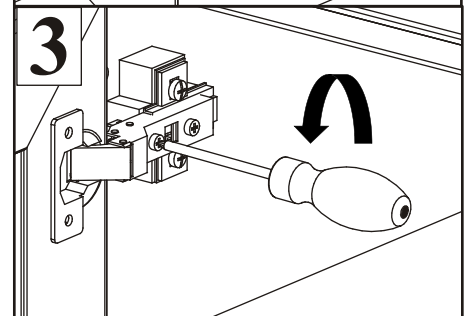
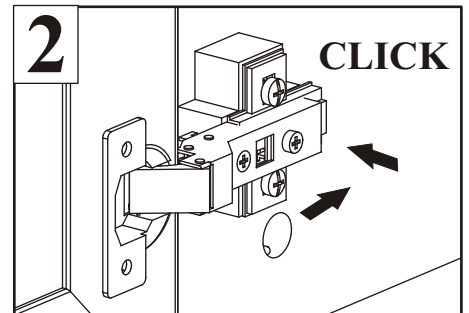
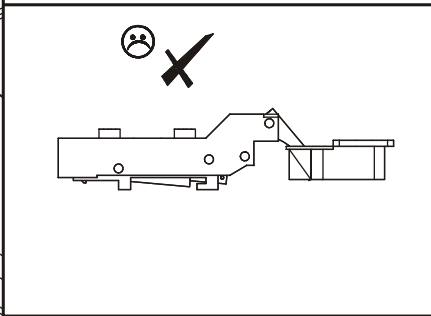
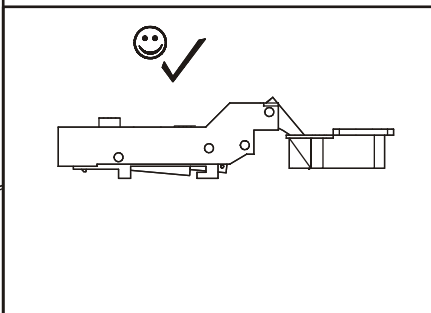
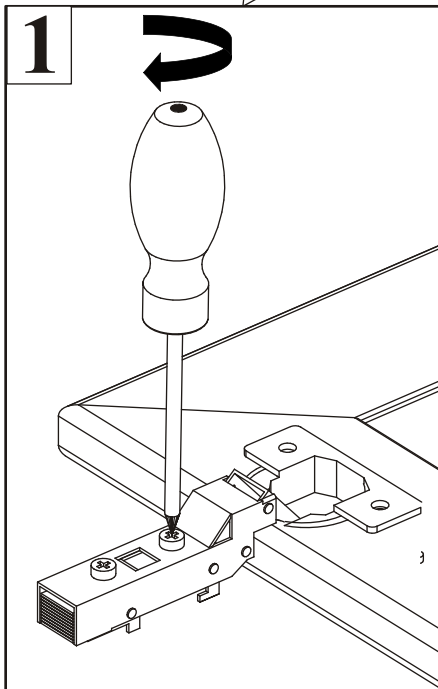
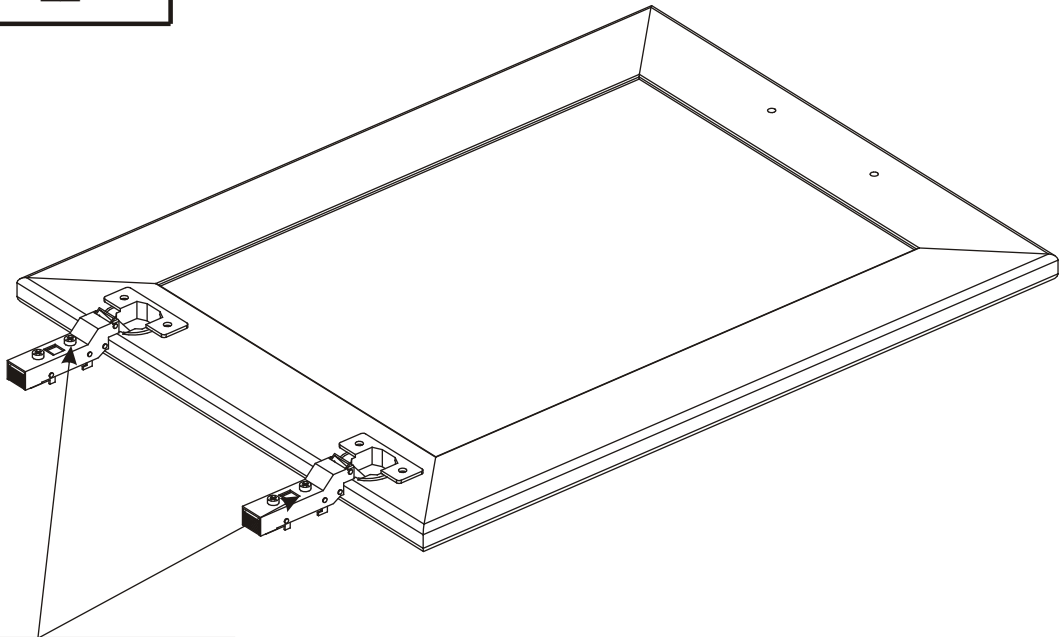
E0	
x2	H=11

EK8	
x4	EKØ6,3x24

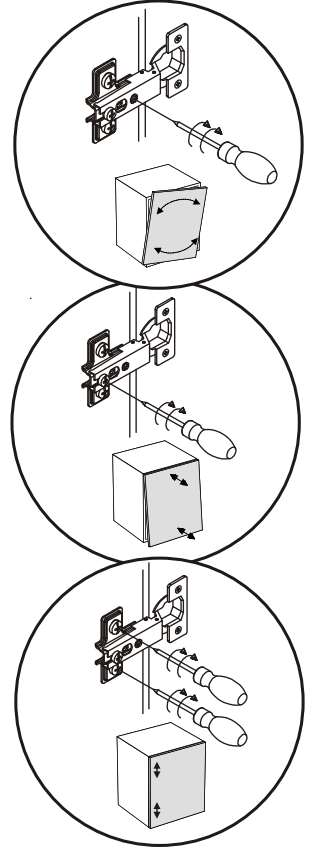
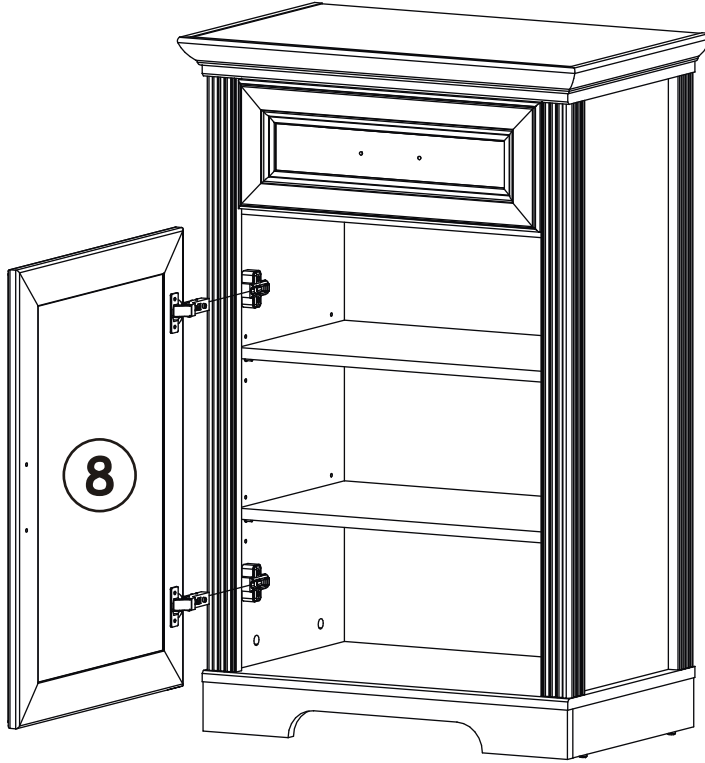
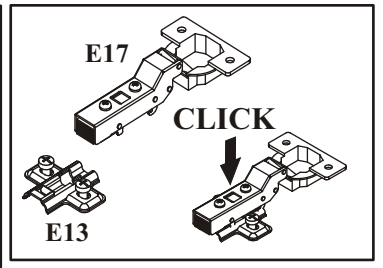
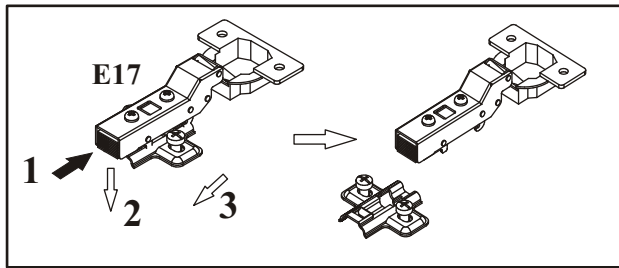
Z2	
x4	Ø5



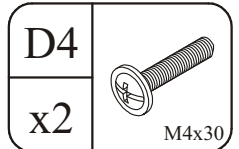
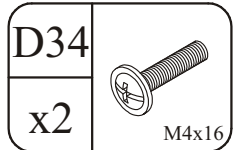
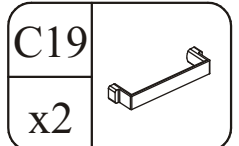
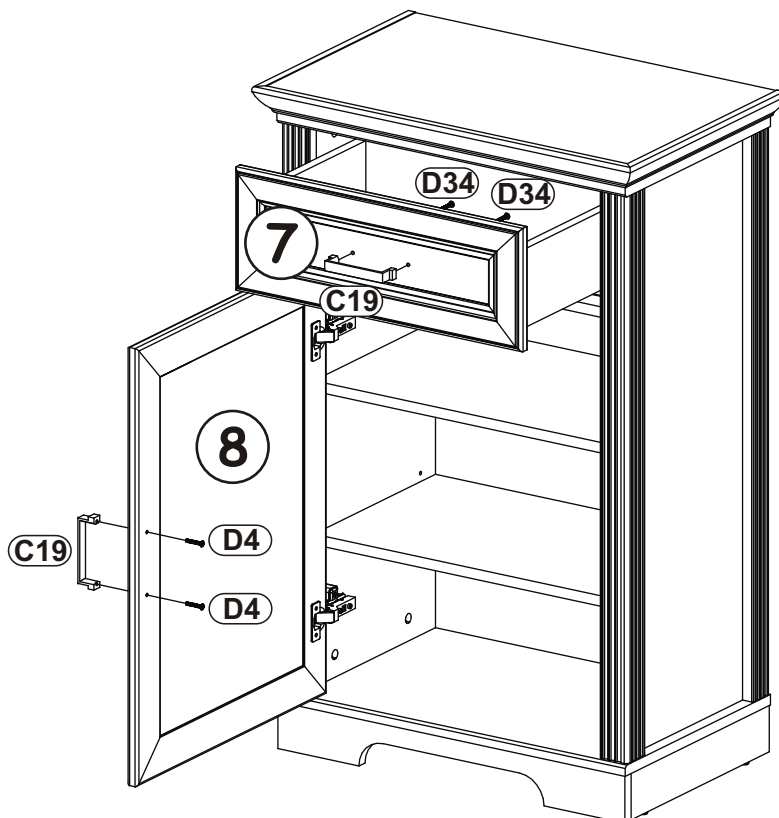
28



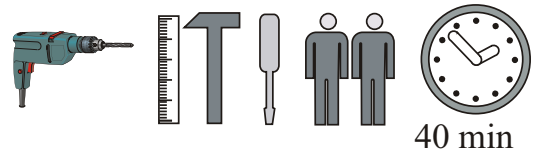
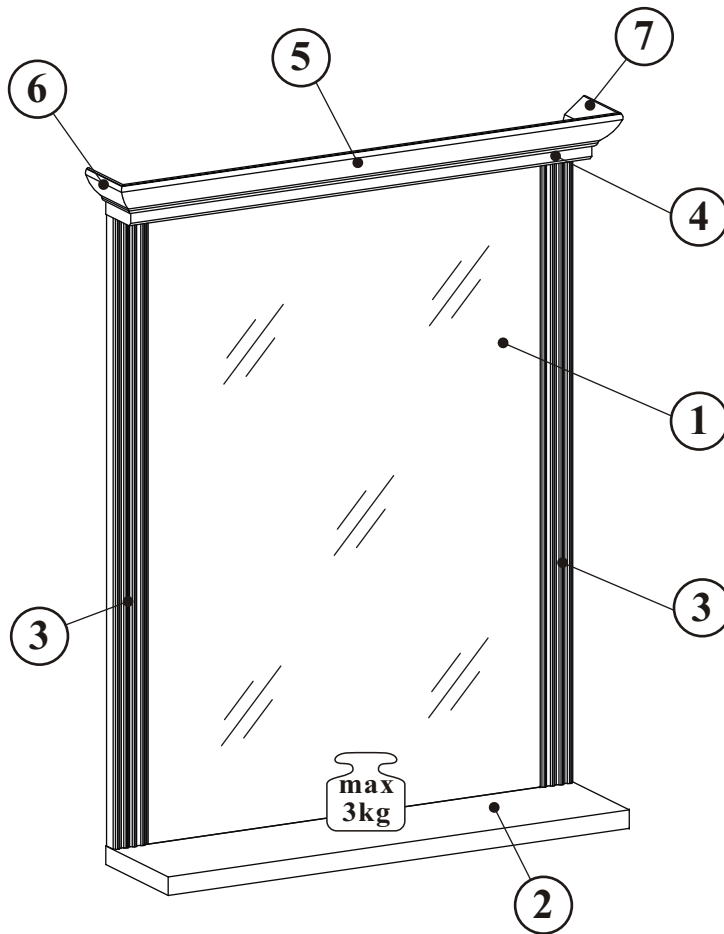
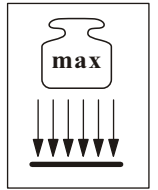
29



30

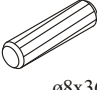



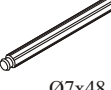

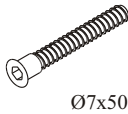


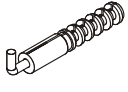
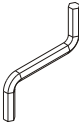


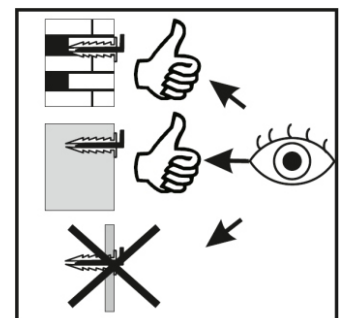
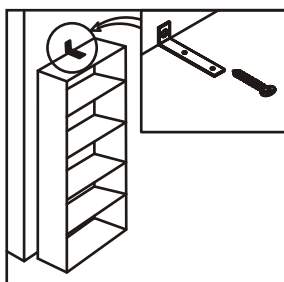
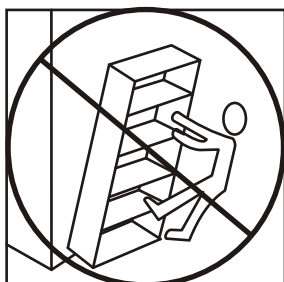
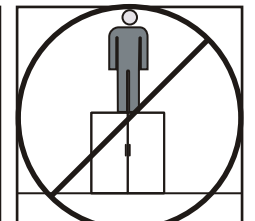
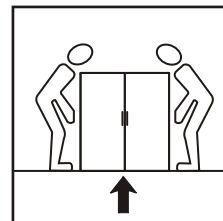
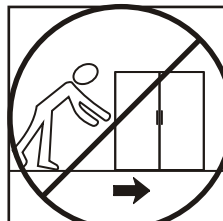
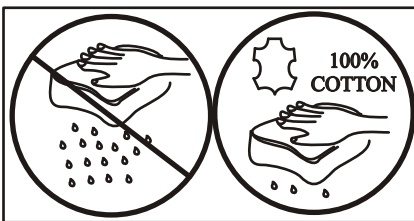
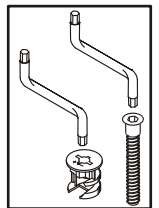
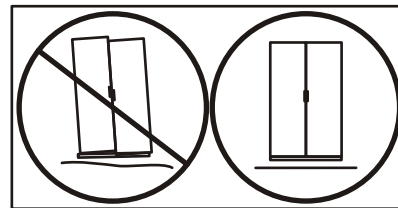
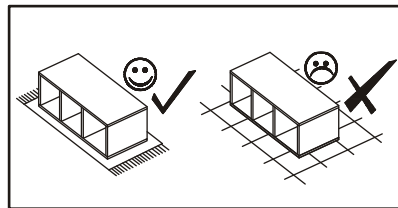
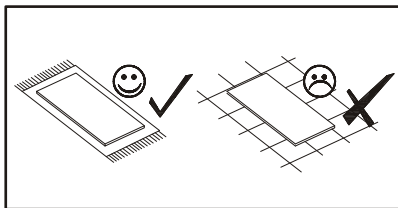
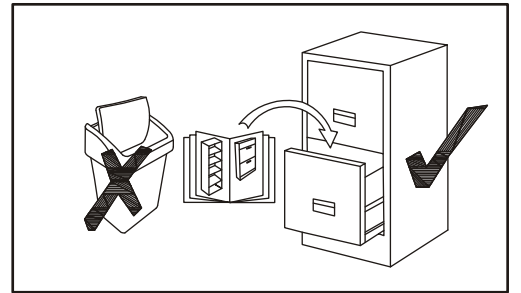
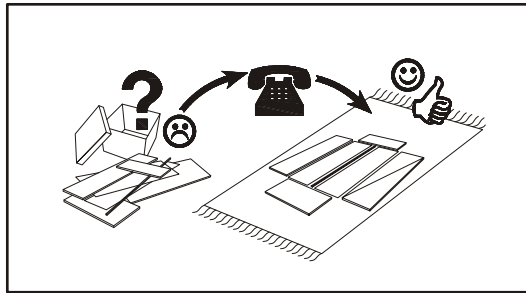
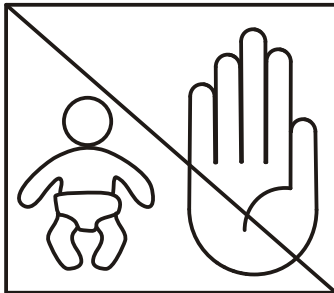
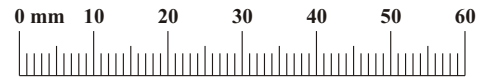
JASMIN 30B1_50



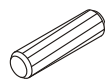
40 min

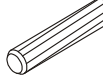
NO	Dim.		Col.-No	Qty
1	750	512	1	1
2	600	150	1	1
3	750	43	1	2
4	600	60	1	1
5	653	67	1	1
6	86	67	1	1
7	86	67	1	1

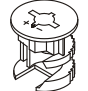
A1 x6  ø8x36	A3 x4  ø8x47	B5 x12  ø15x12	G5 x12 	B9 x6  ø7x48	D9 x7  USØ3x20
B11 x6  ø7x50	G4 x6 	D20 x6  ESØ6,3x9,5	KR2 x3 	G2 x1 	

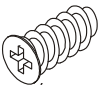


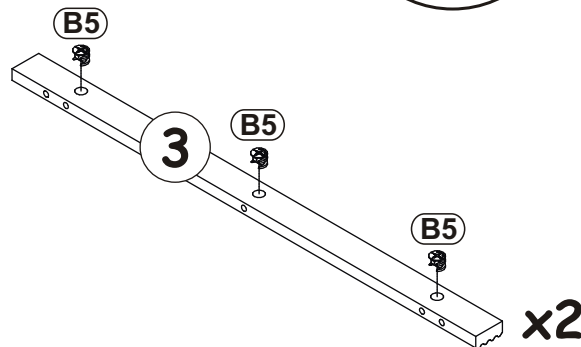
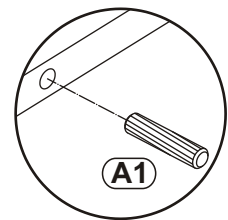
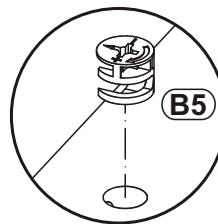
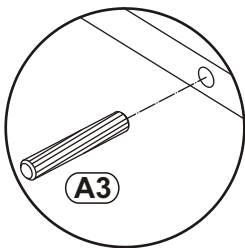
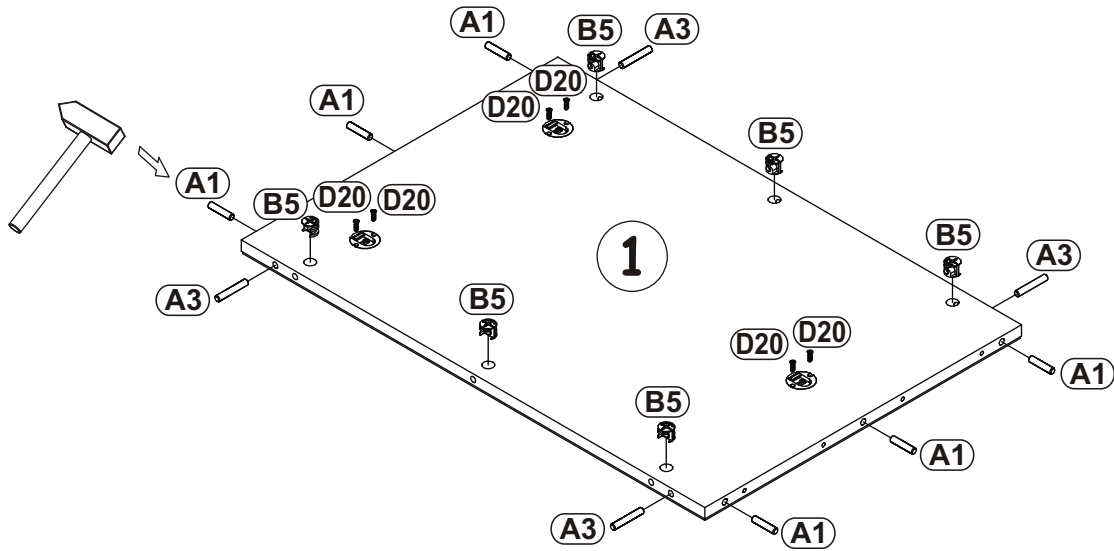
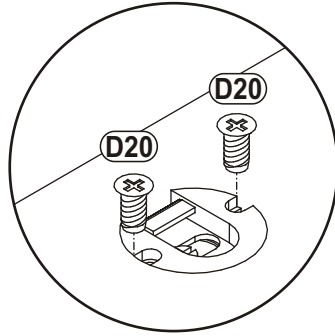
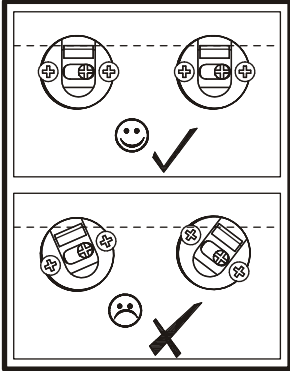
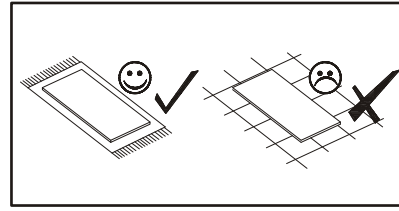
1

A1	
x6	ø8x36

A3	
x4	Ø8x47

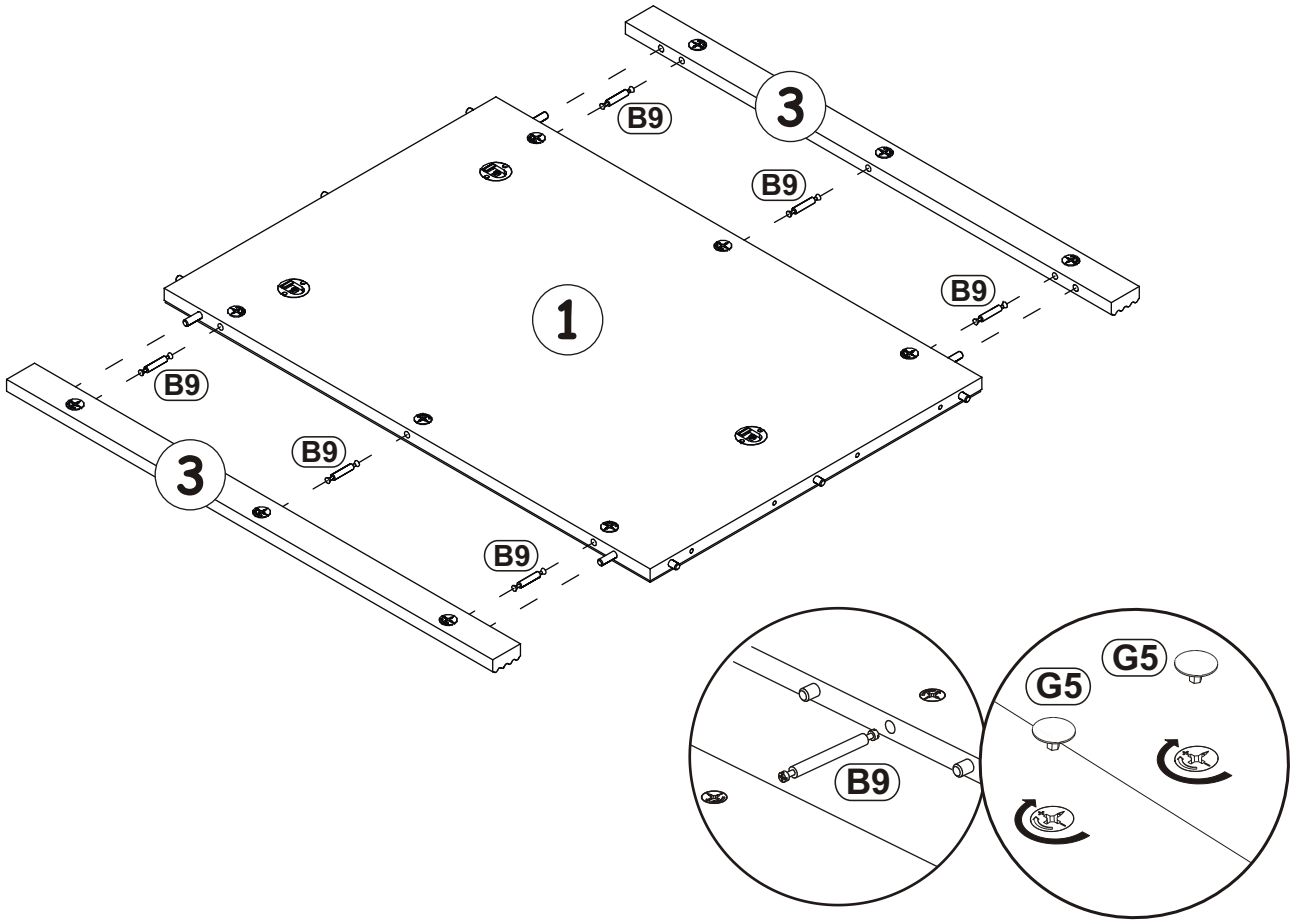
B5	
x12	ø15x12

D20	
x6	ESØ6,3x9,5




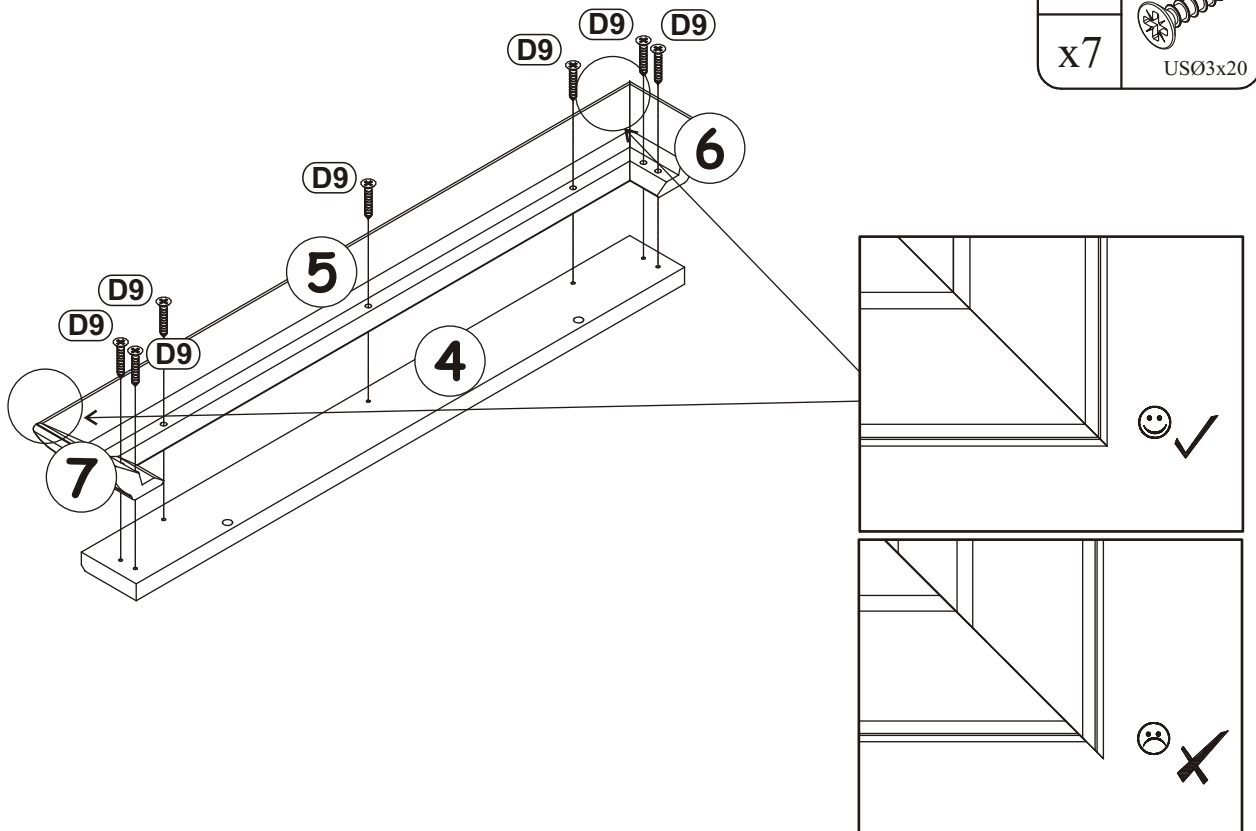
B9		G5	
x6	Ø7x48	x12	



2



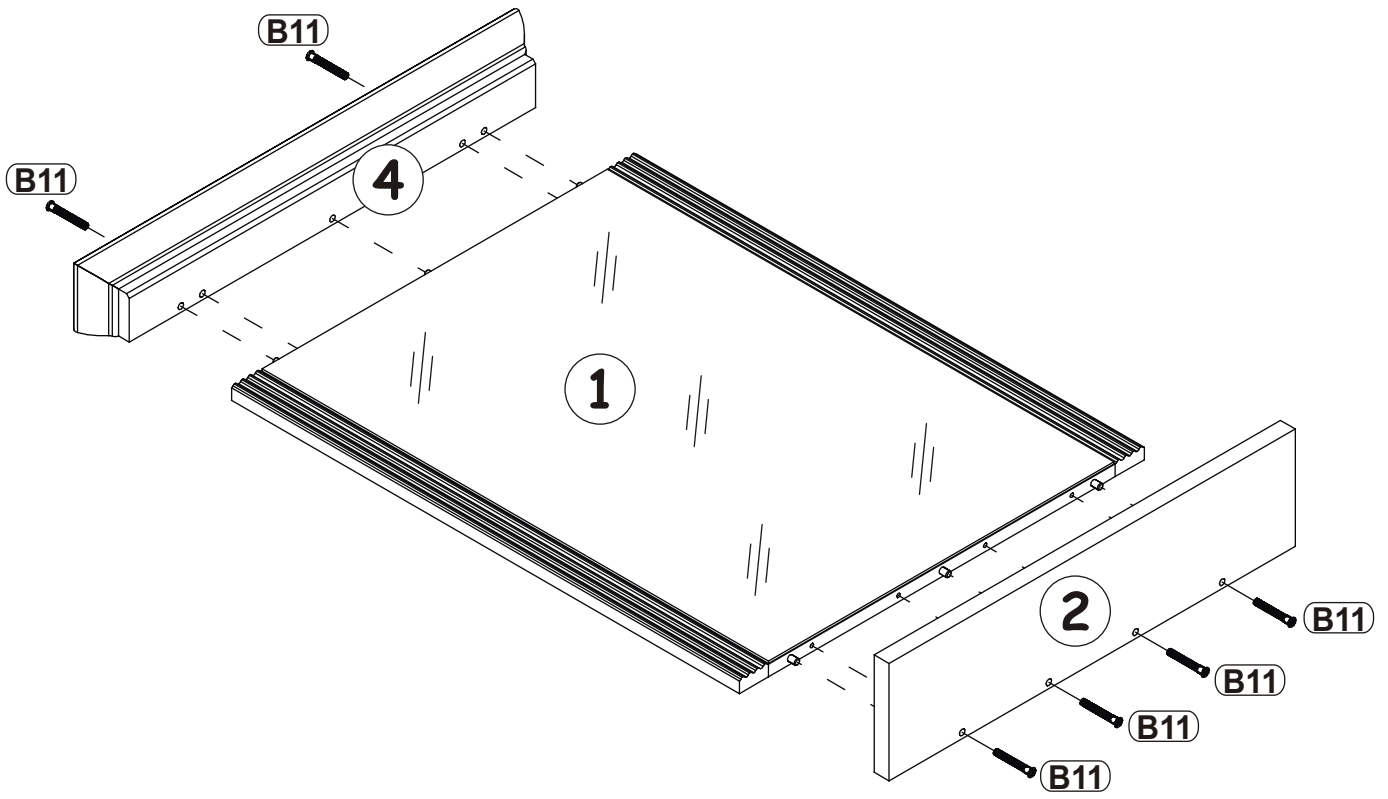
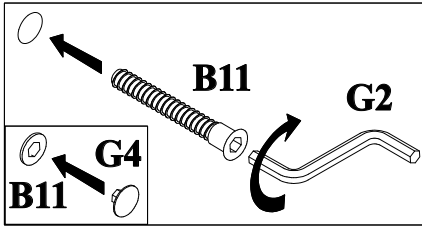
3

D9	
x7	USØ3x20



B11		G4	
x6	Ø7x50	x6	

4



KR2
x3

5

