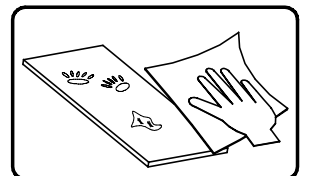
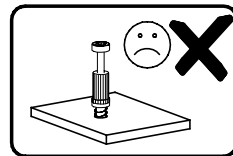
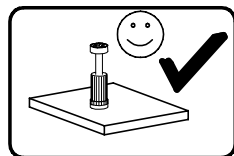
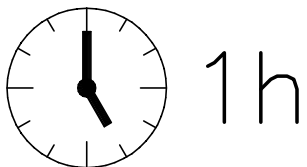
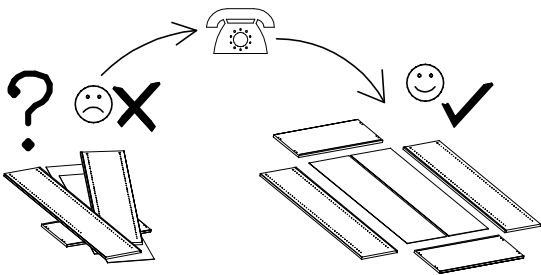
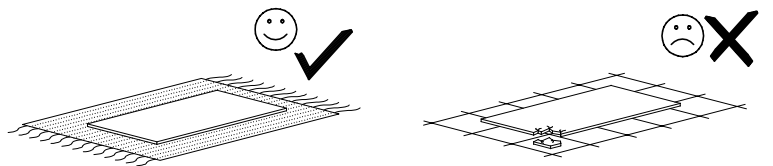
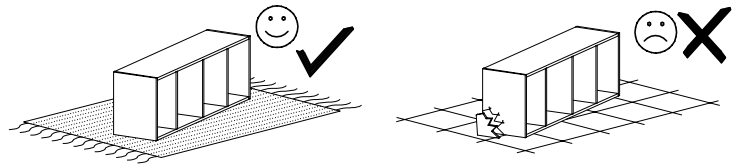
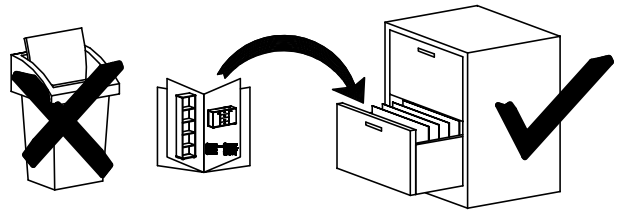
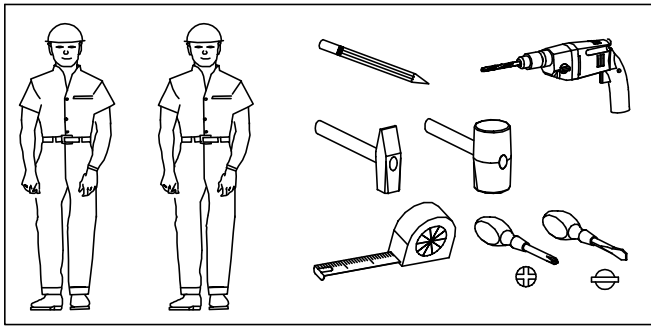
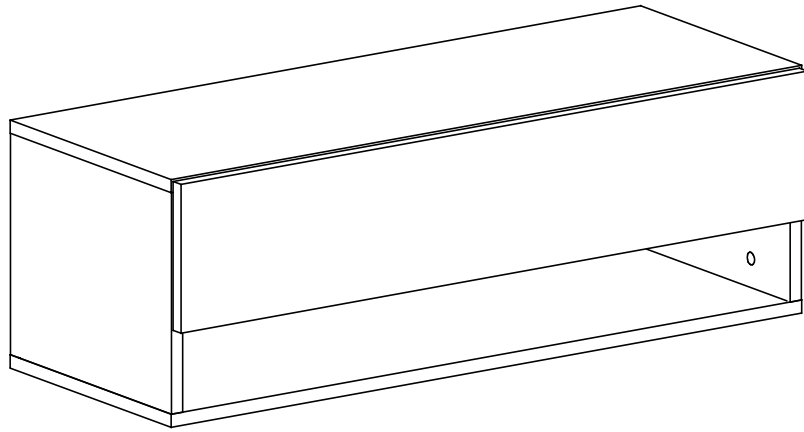
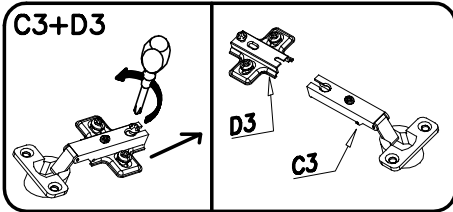
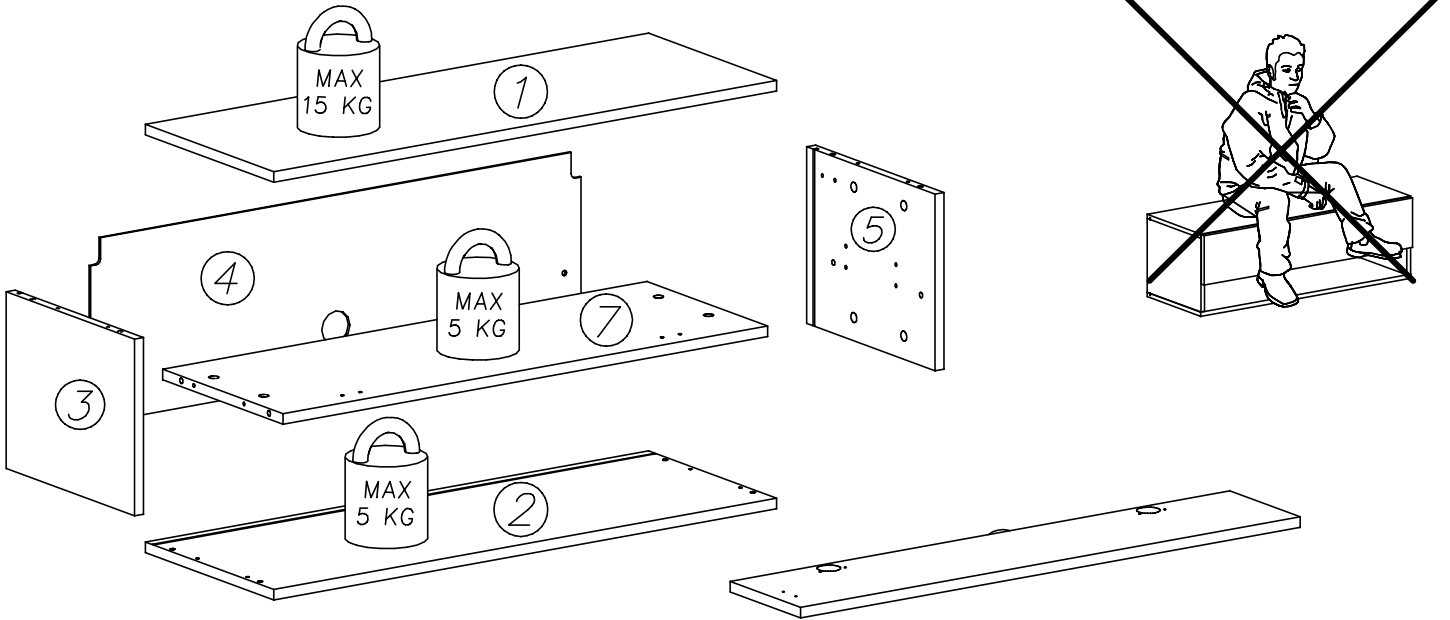
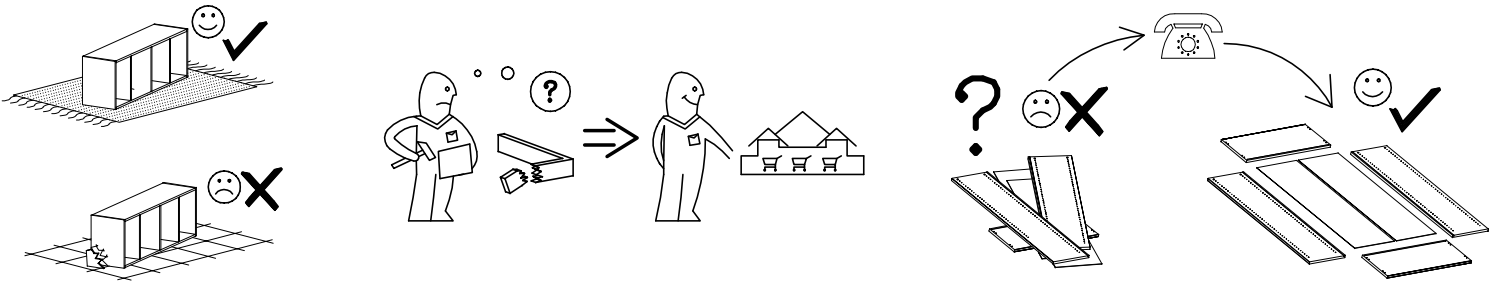


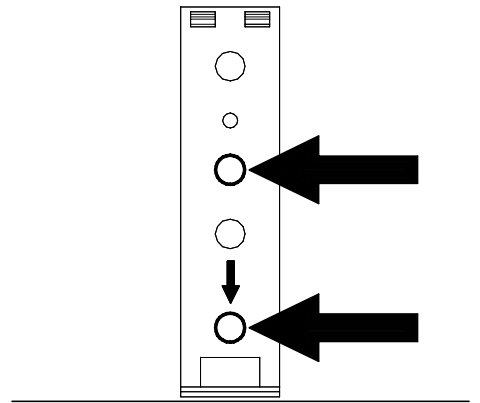
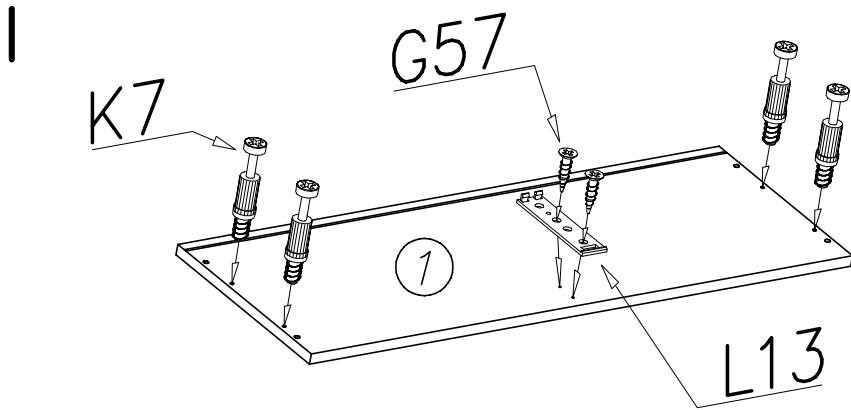
# CALANTE

---

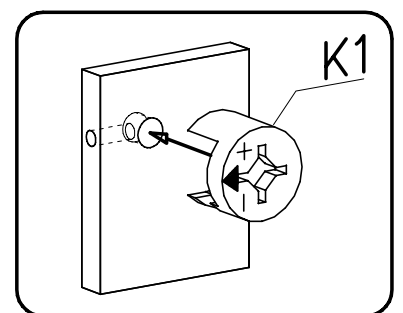
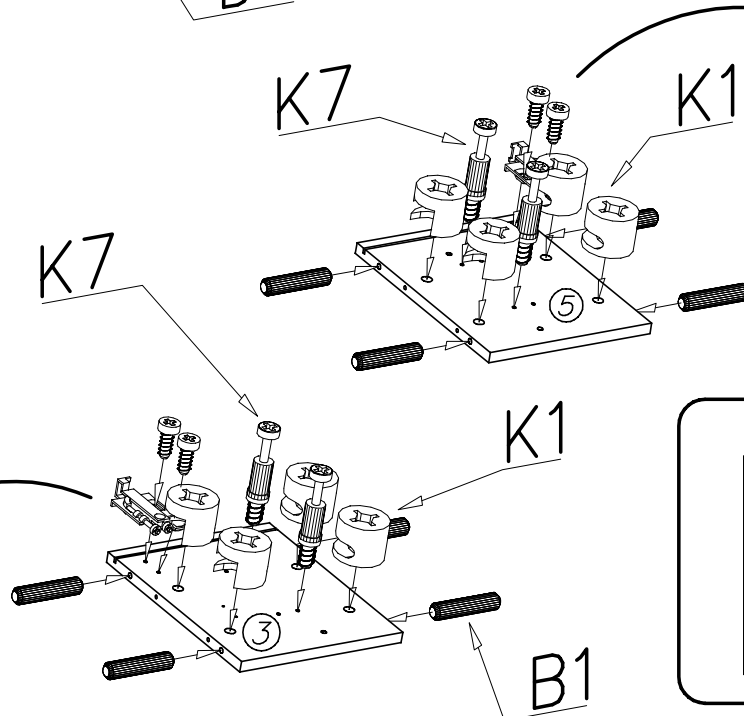
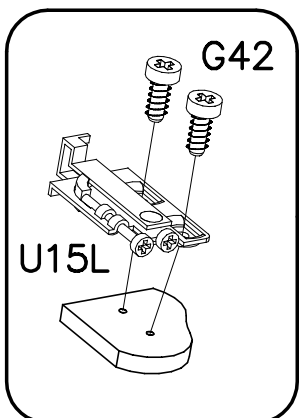
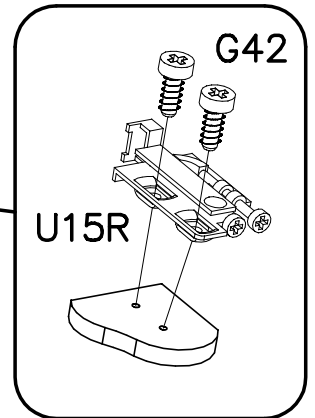
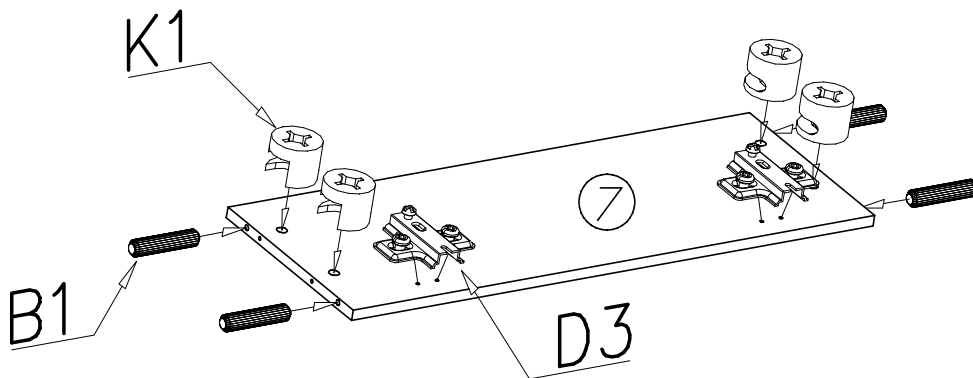
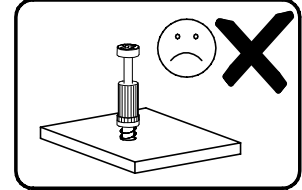
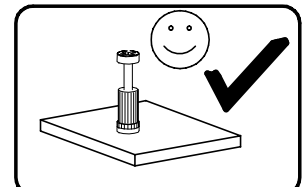
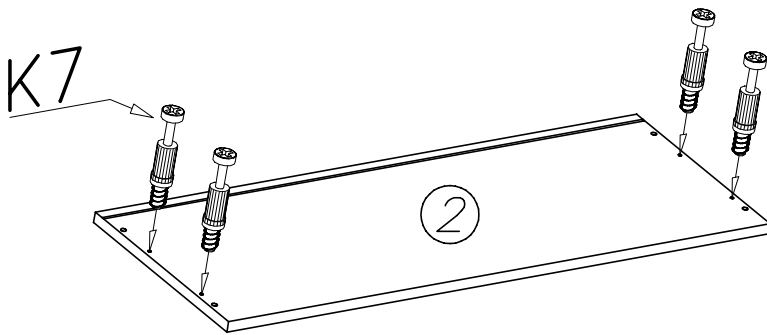


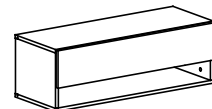


		<b>L13</b> x...(1)		<b>W10</b> 800mm x...(1)	
<b>L6</b> x...(1)	<b>U16R</b> x...(1)	<b>U16L</b> x...(1)	<b>G57</b> 3,5x16 x...(2)	<b>G42</b> 6x14 x...(4)	
	<b>N7</b> M4x15 x...(2)	<b>U15L</b> x...(1)	<b>U15R</b> x...(1)	<b>U7</b> x...(2)	
<b>K1</b> Ø15x12 x...(12)	<b>I7</b> x...(12)	<b>I1</b> x...(6)	<b>U8</b> Ø10x60 x...(2)		
<b>K7</b> x...(12)	<b>B1</b> Ø8x35 x...(12)	<b>C3</b> Z35PR x...(2)	<b>D3</b> H=2 PZ35PR x...(2)	<b>G34</b> 3,5x16 x...(14)	

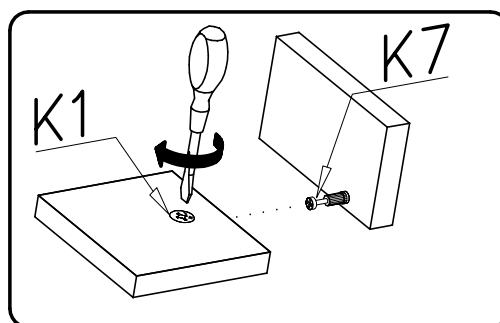
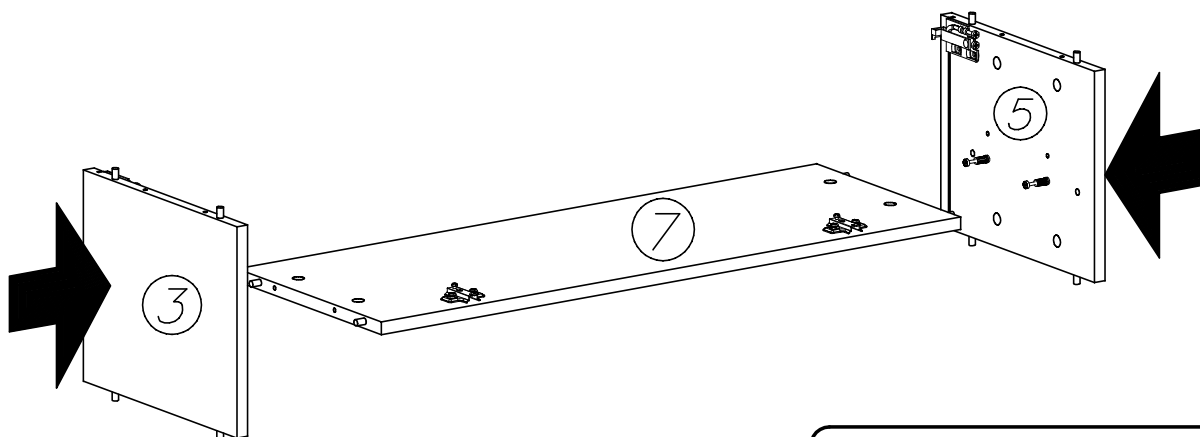


front

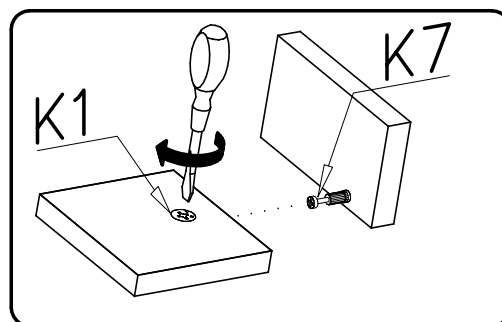
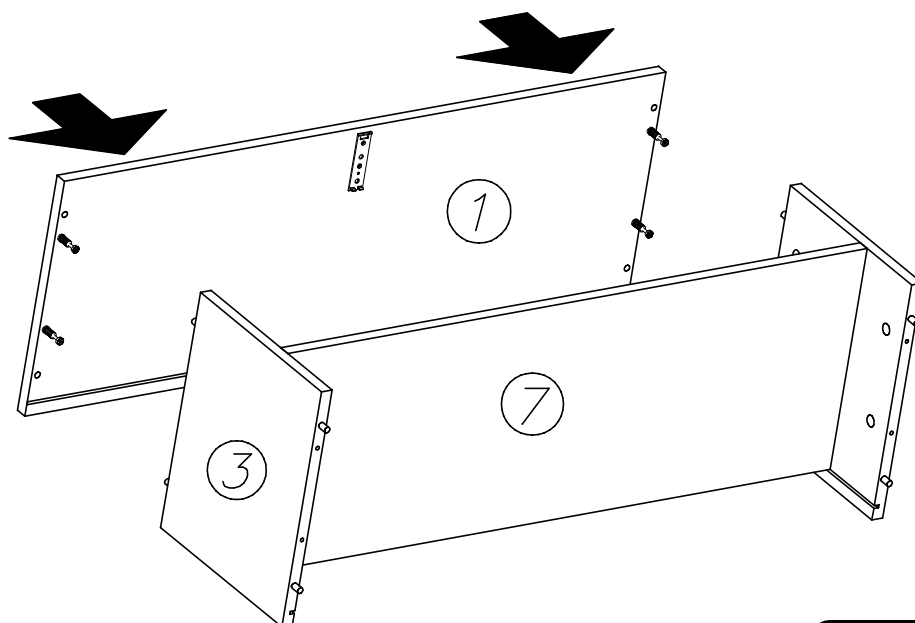


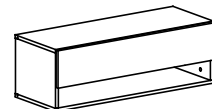


II

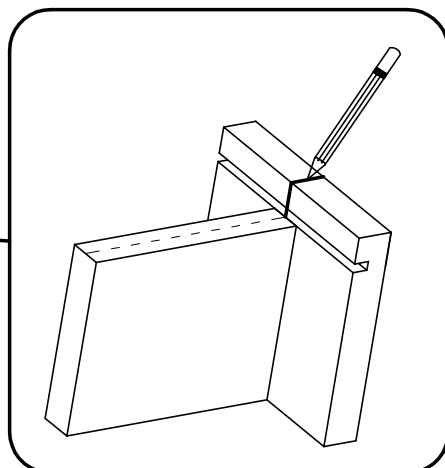
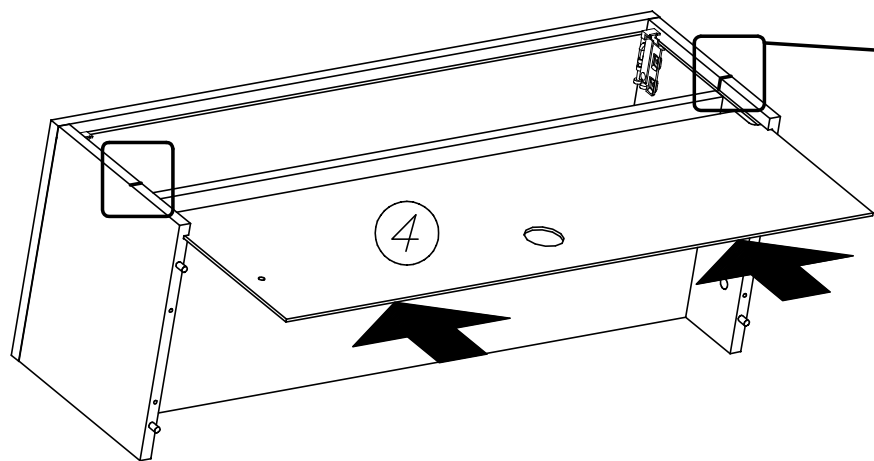


III

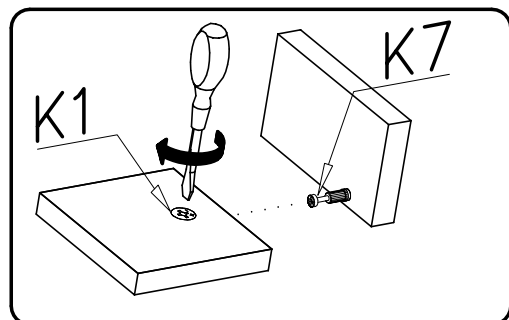
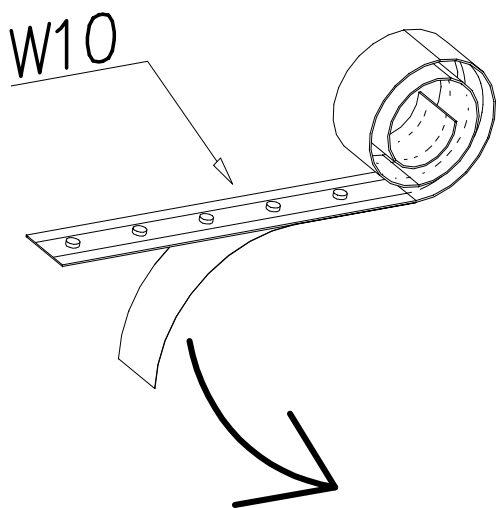
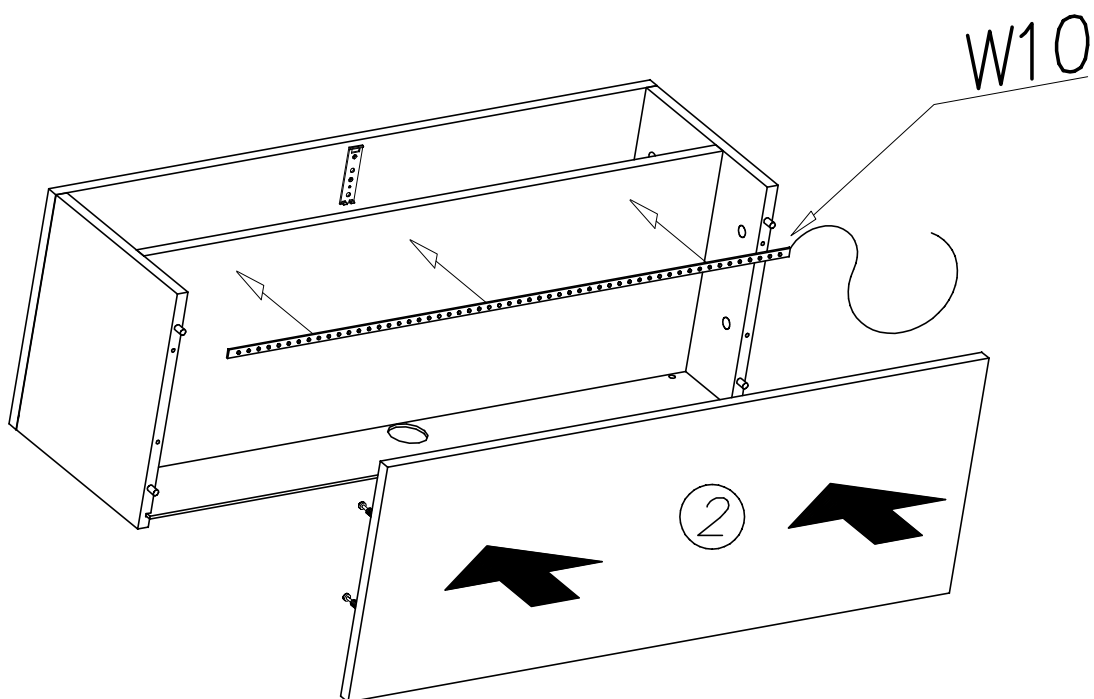


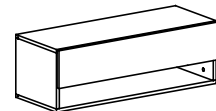


## IV

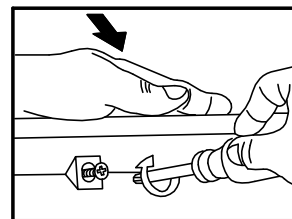
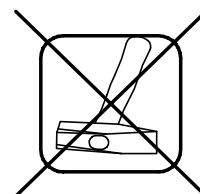
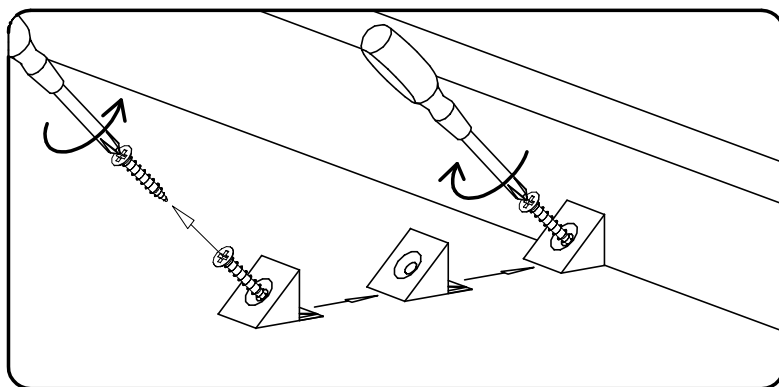
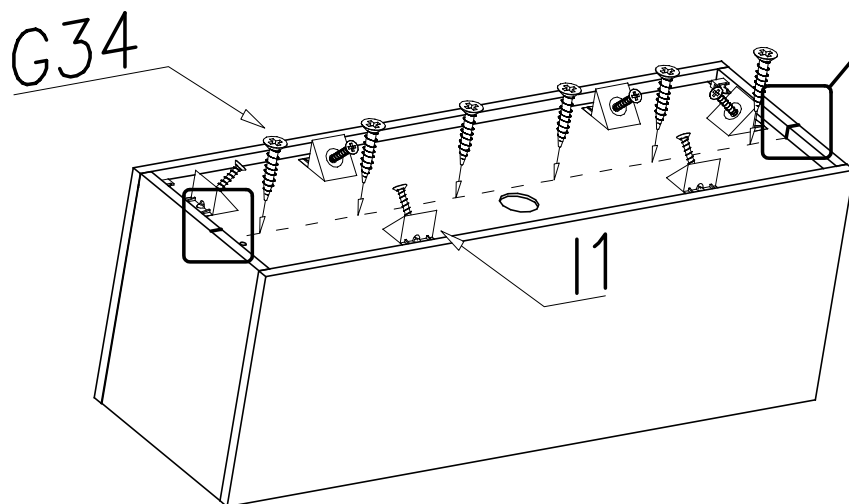
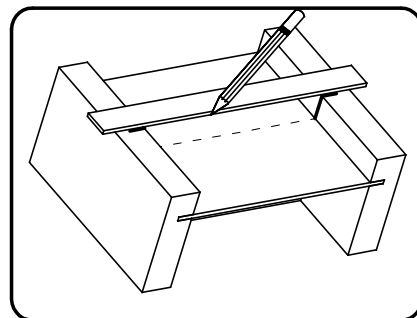
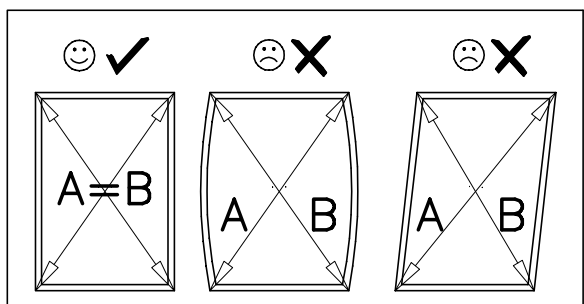


## V

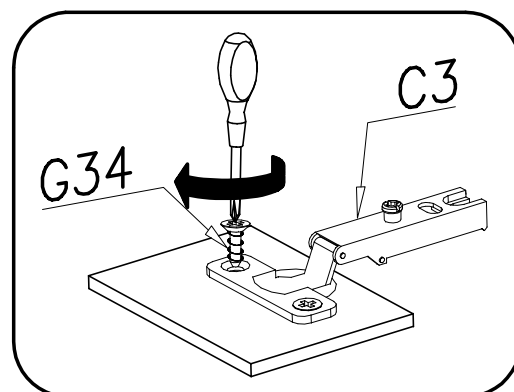
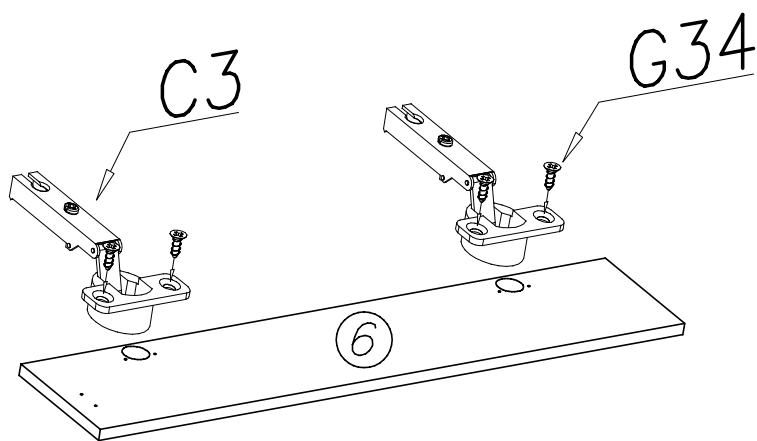


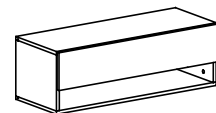


## VI

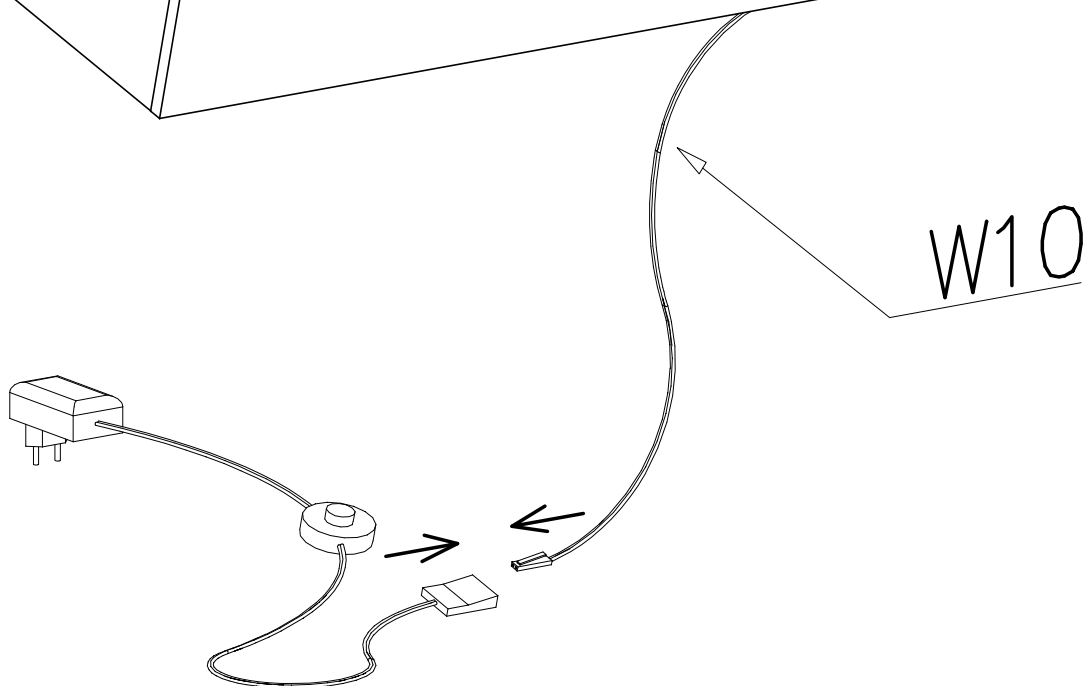
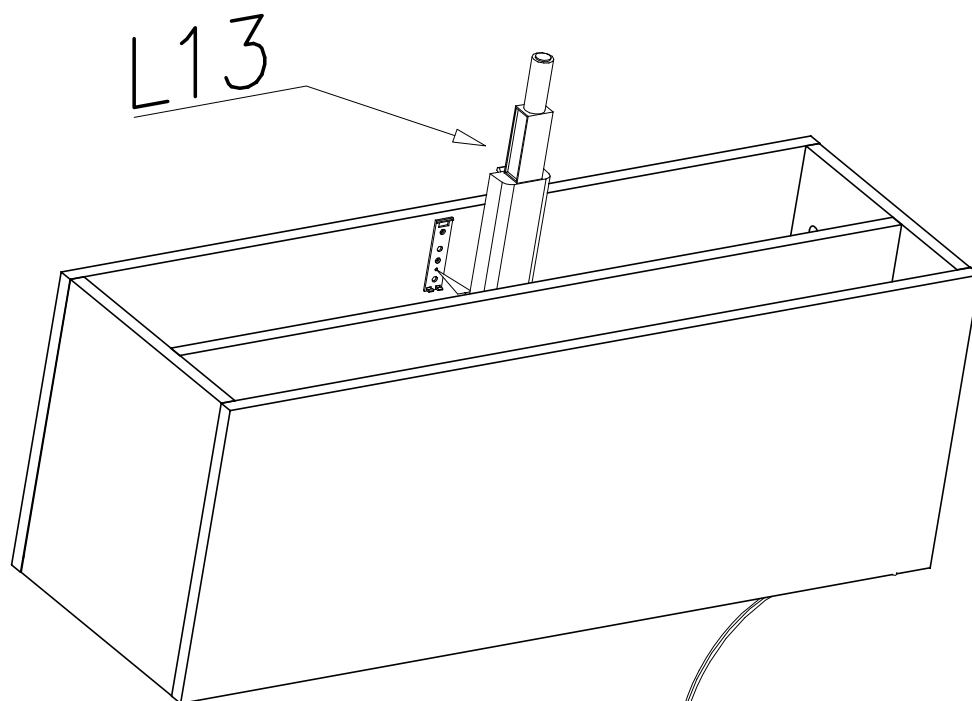
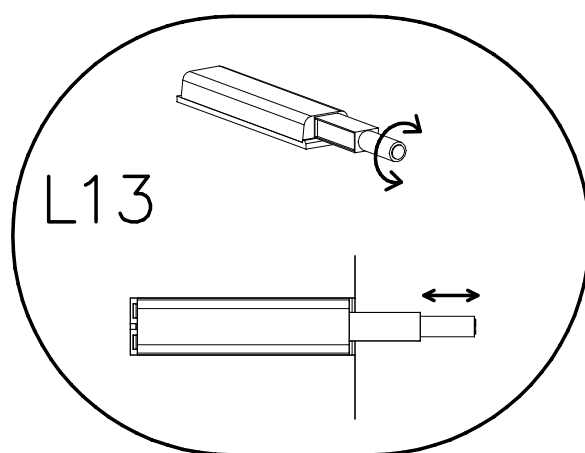
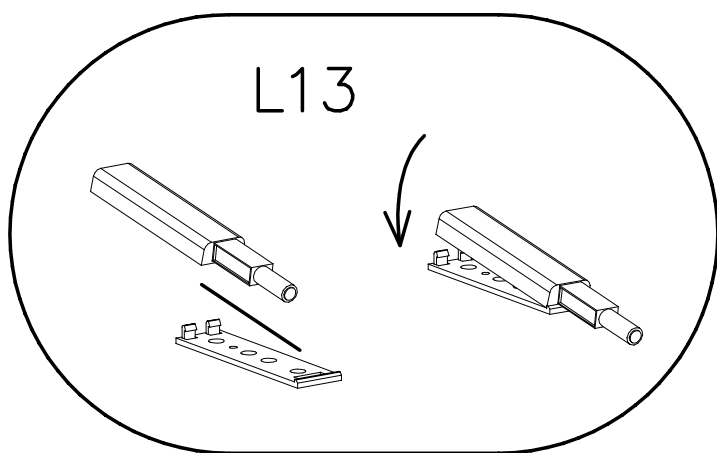


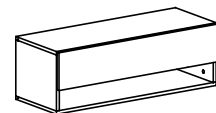
## VII



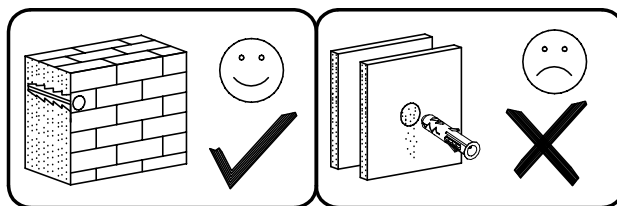
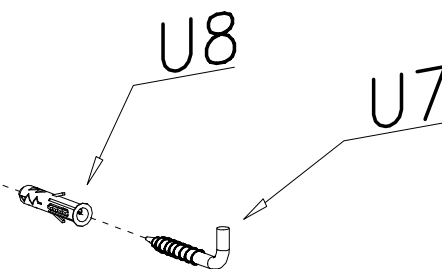
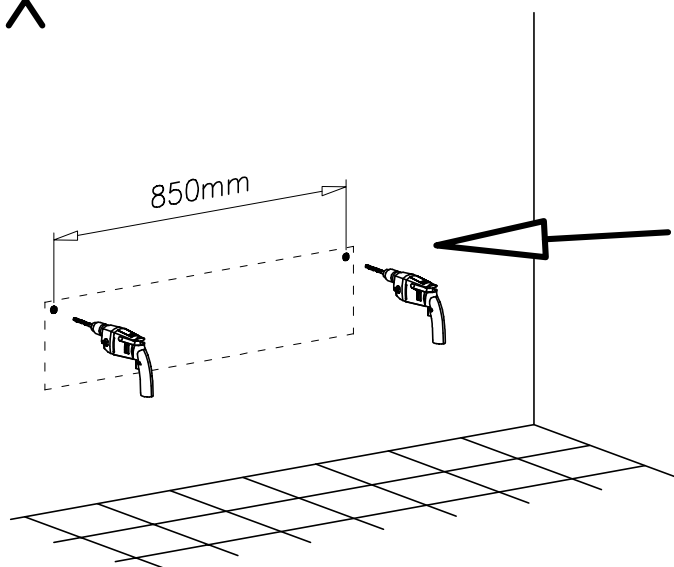


VIII

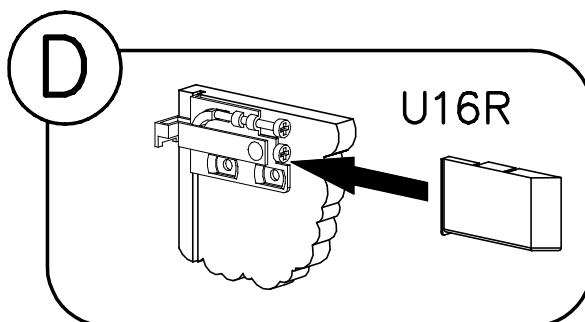
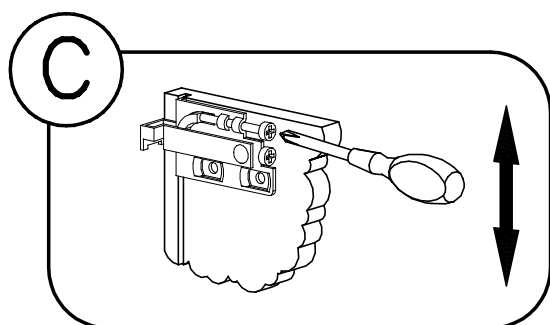
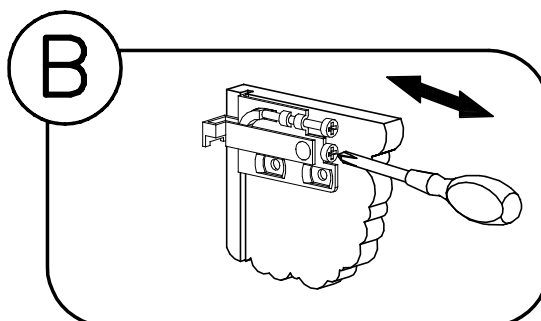
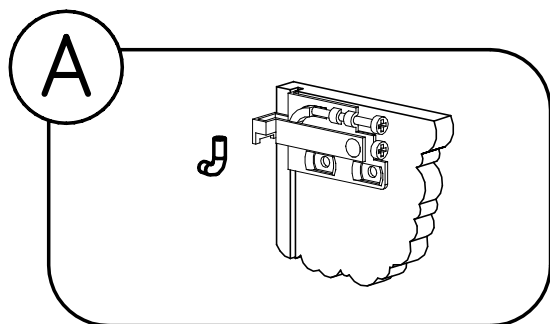
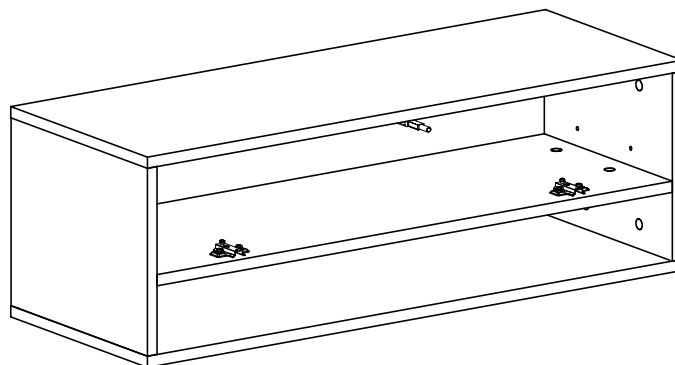




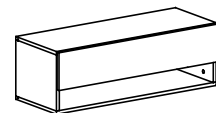
## IX



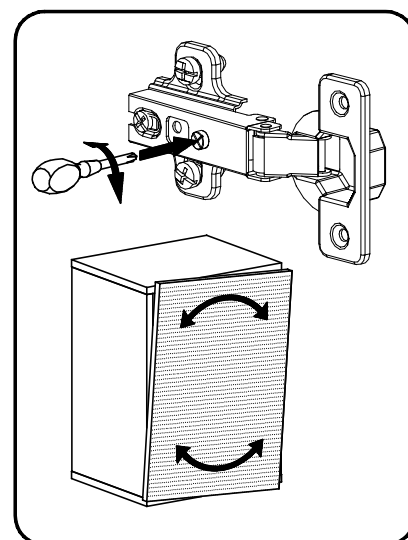
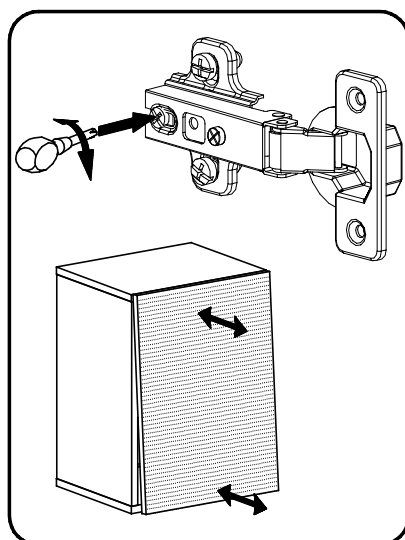
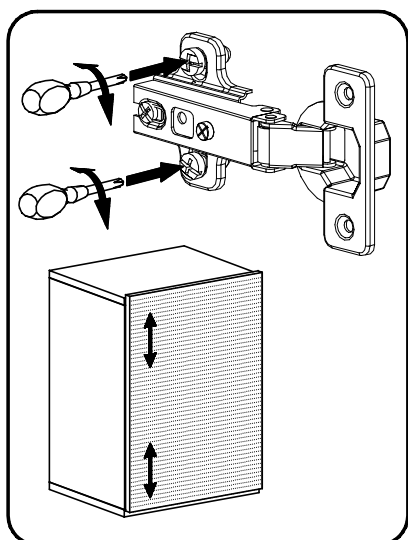
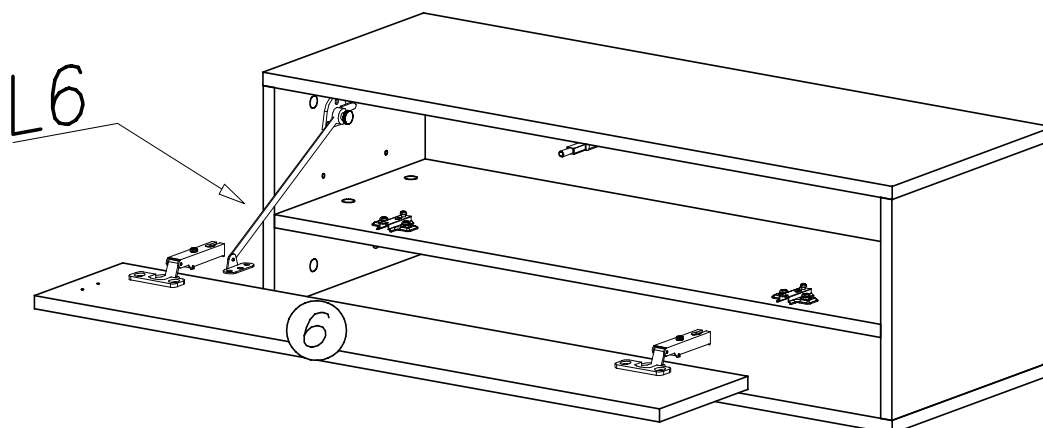
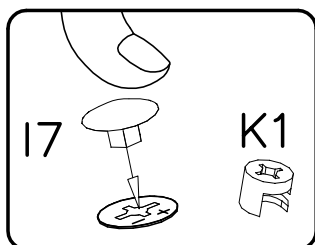
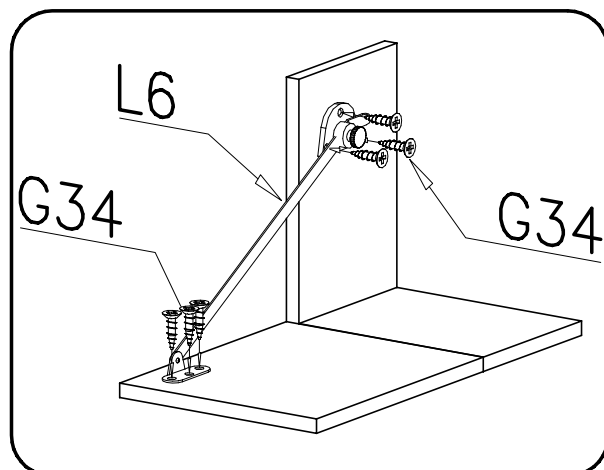
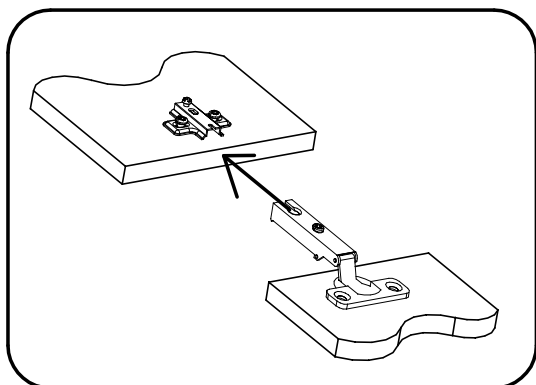
## X

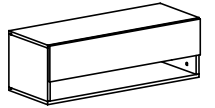




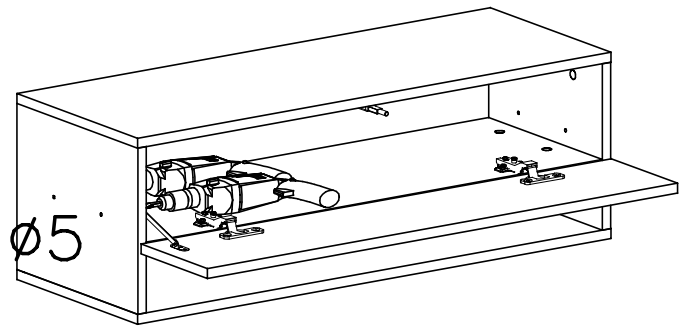
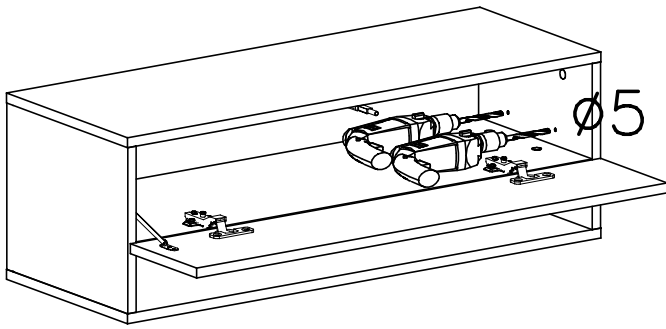
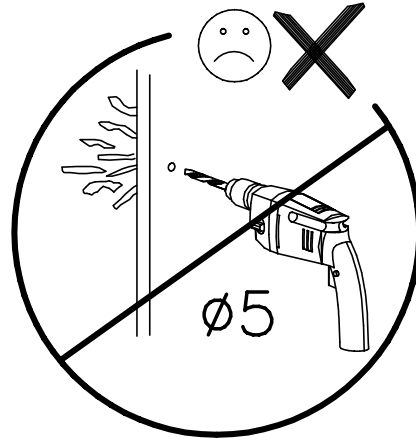
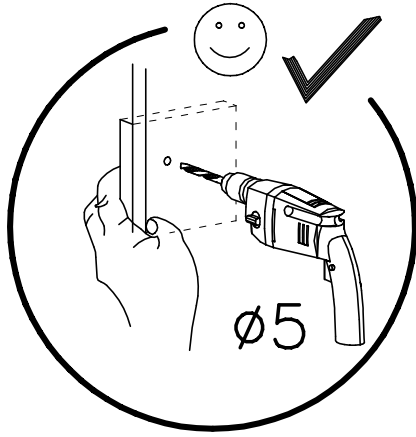


## XI

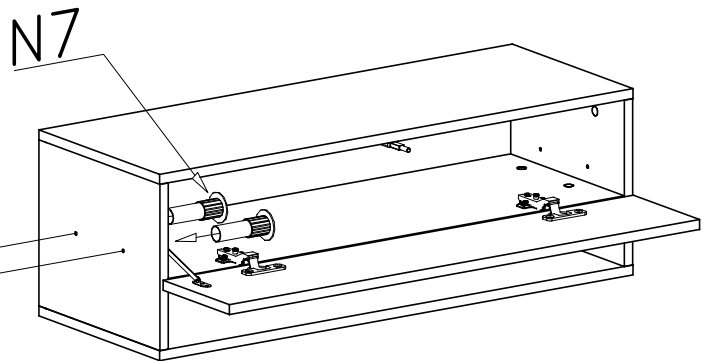
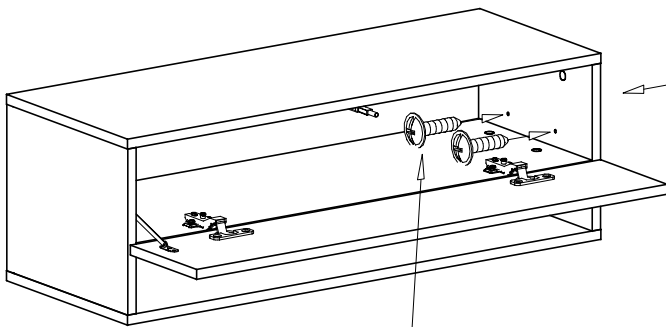




XII



XIII



N7

