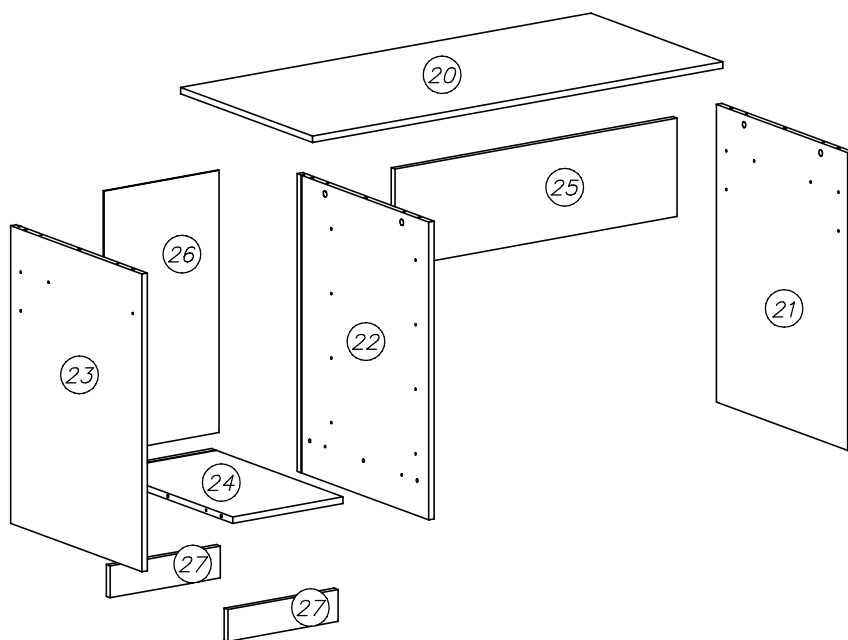
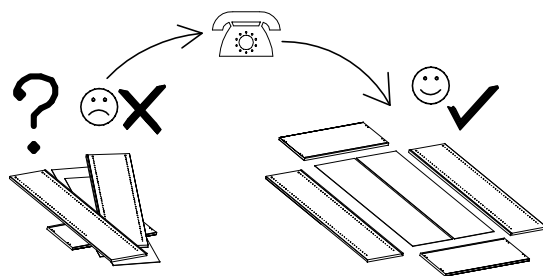
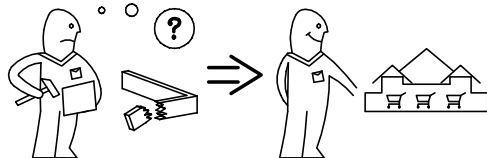
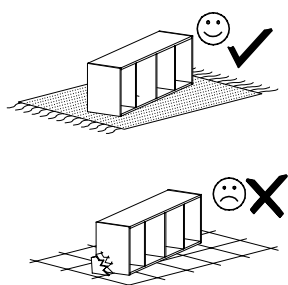
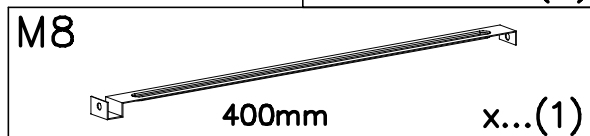
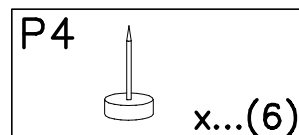
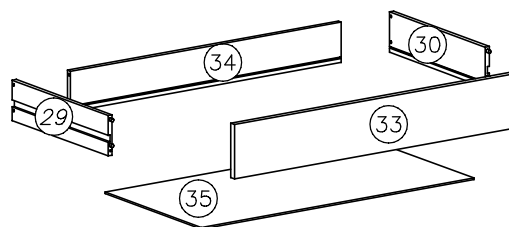
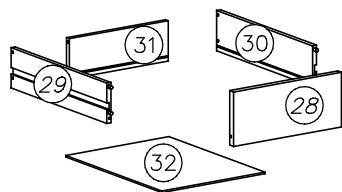


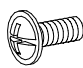

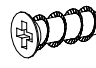
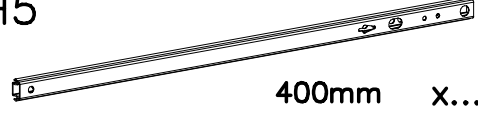


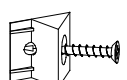

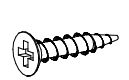
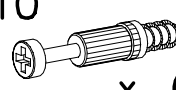

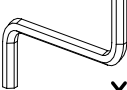
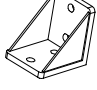



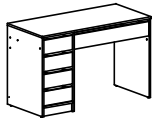
# MADA II – BIURKO



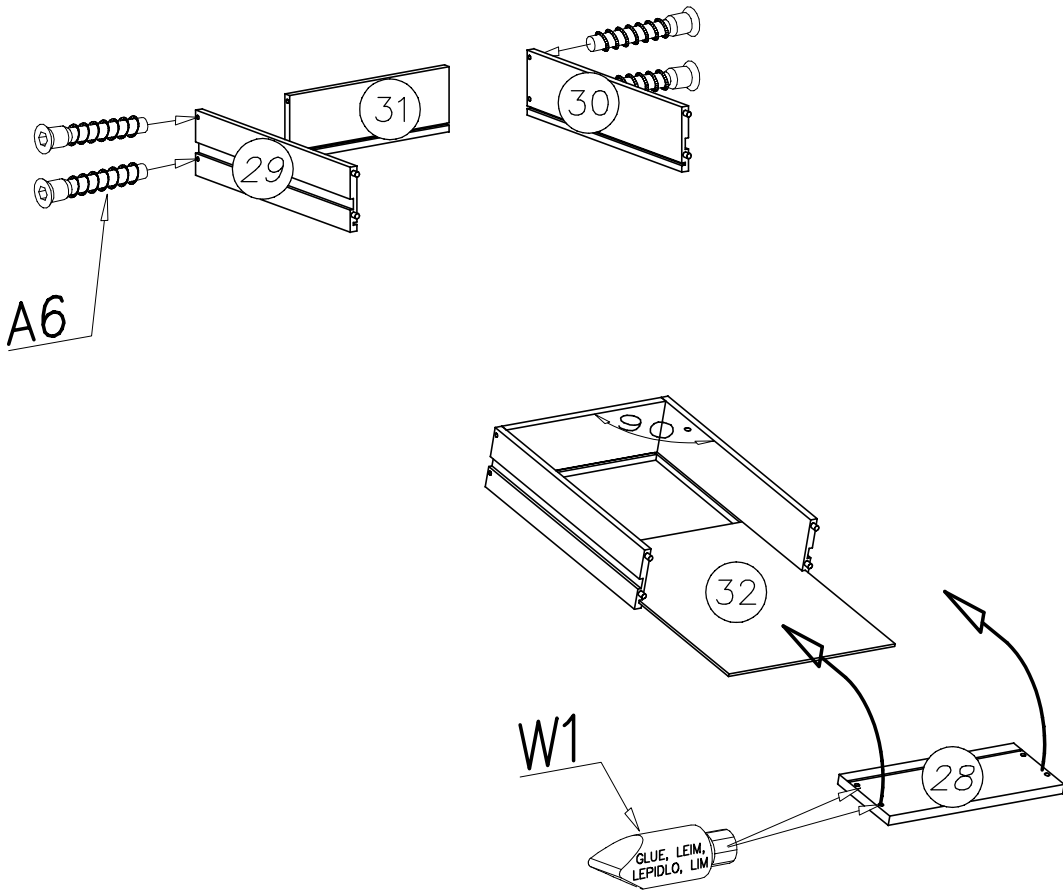
nr	L[mm]	B[mm]	T[mm]	Menge	Colli
20	1200	550	16	1	1/1
21	738	544	16	1	1/1
22	738	544	16	1	1/1
23	738	544	16	1	1/1
24	318	543	16	1	1/1
25	823	244	16	1	1/1
26	649	330	3	1	1/1
27	318	79	16	2	1/1
28	312	135	16	4	1/1
29	400	100	12	5	1/1
30	400	100	12	5	1/1
31	285	100	12	4	1/1
32	295	401	3	4	1/1
33	817	135	16	1	1/1
34	790	100	12	1	1/1
35	800	401	3	1	1/1



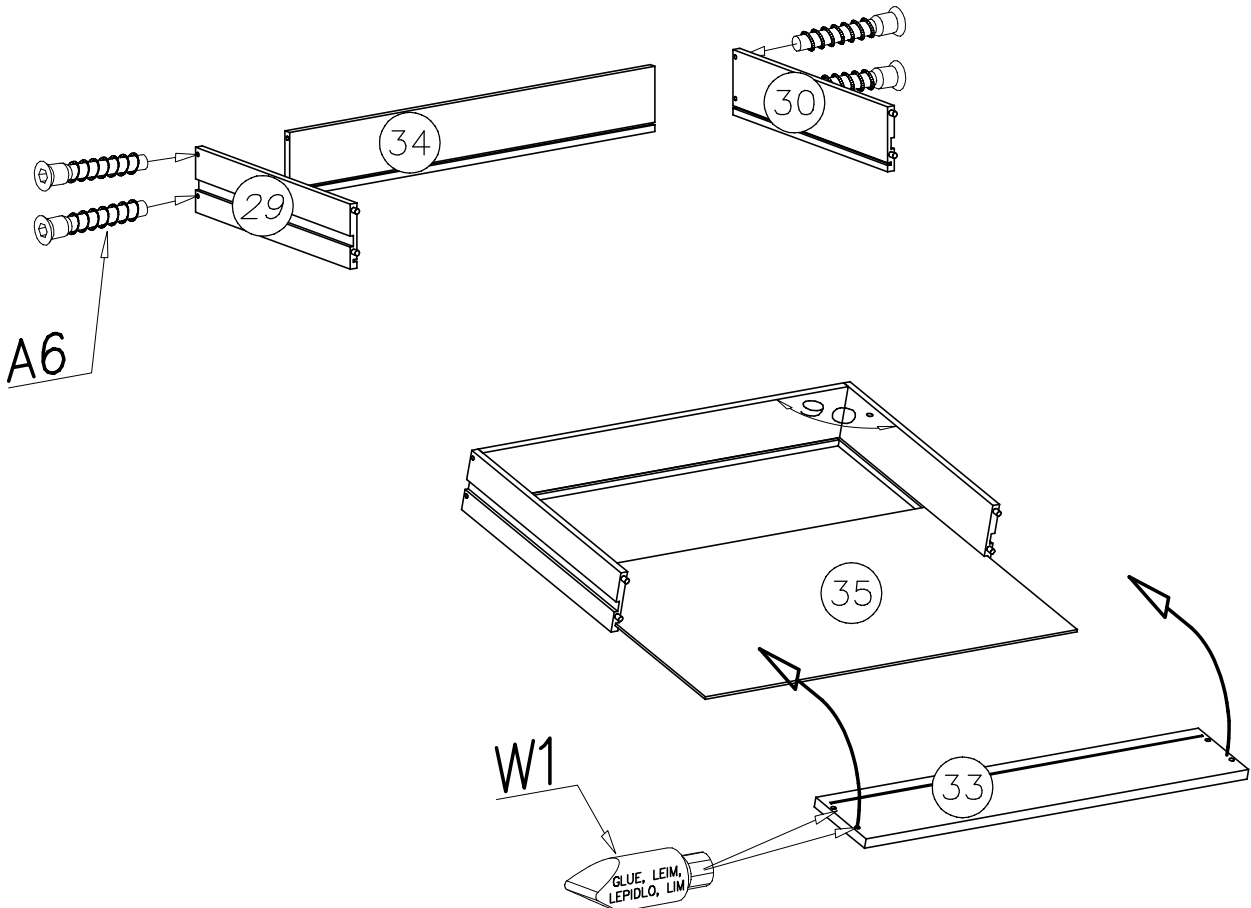
N1  M4x9 x...(10)	A6  ø7x40 x...(20)	G50  6x13 x...(20)	H5  400mm x...(10)	
K1  ø15x12 x...(14)	W1  x...(3)	I1  x...(5)	I4  ø5 x...(5)	G34  3,5x16 x...(18)
K10  x...(14)	B1  ø8x35 x...(15)	W2  x...(1)	F15  x...(4)	I7  ø18 x...(14)

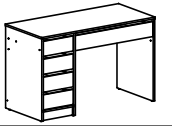


I



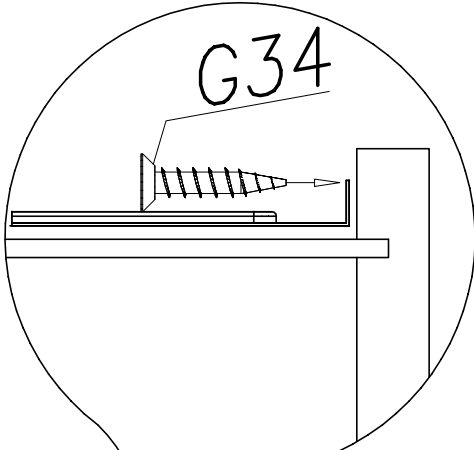
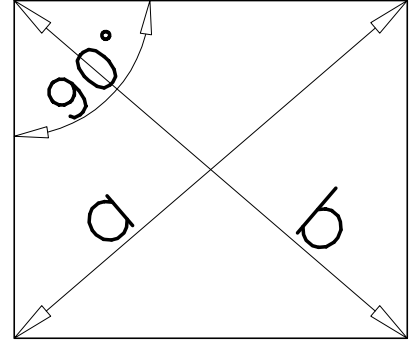
II



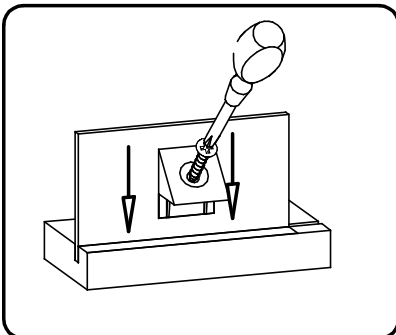
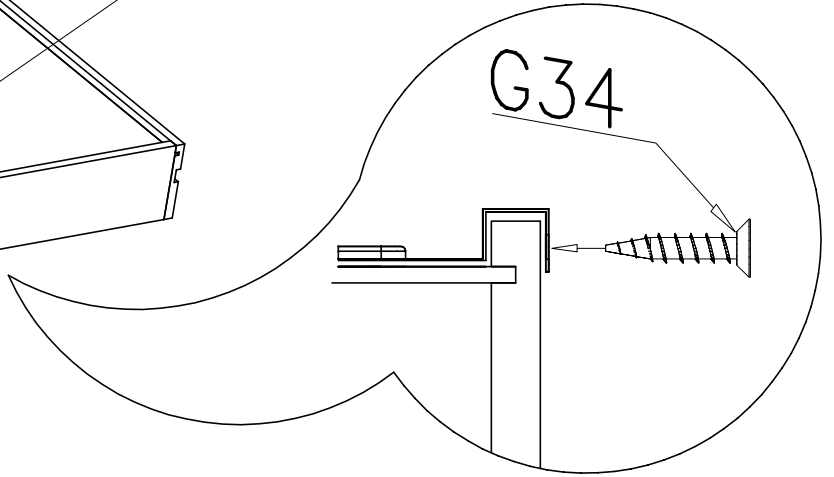
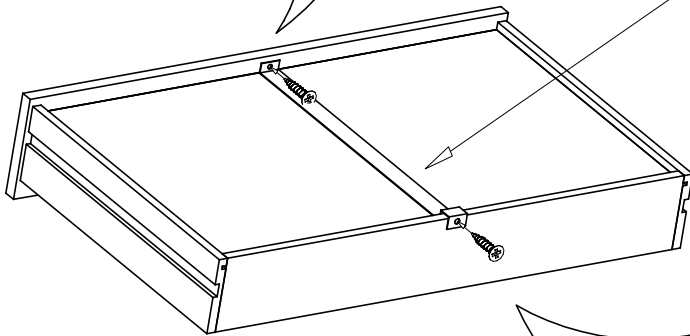


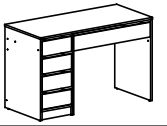
III

$a = b$

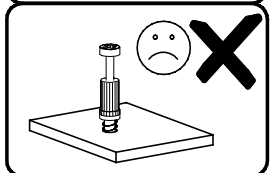
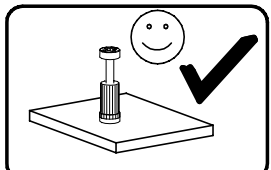
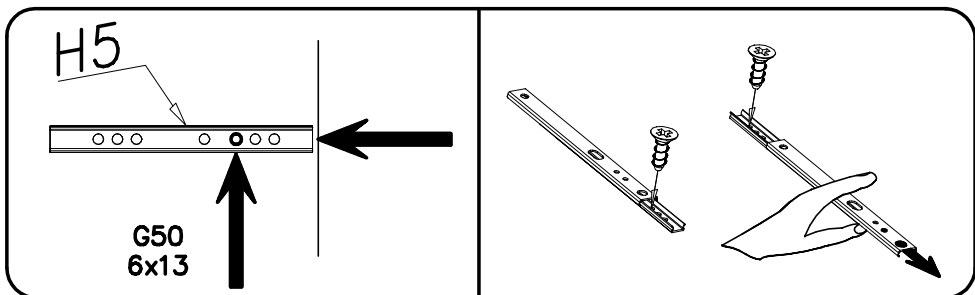
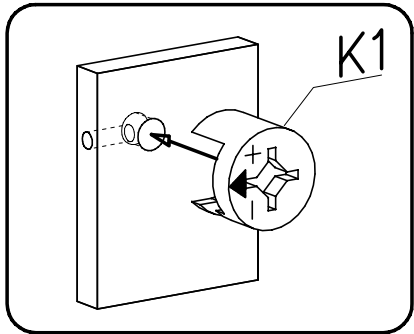
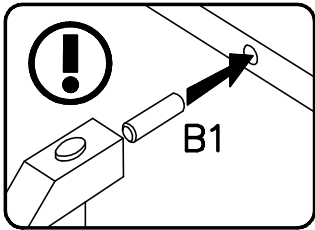
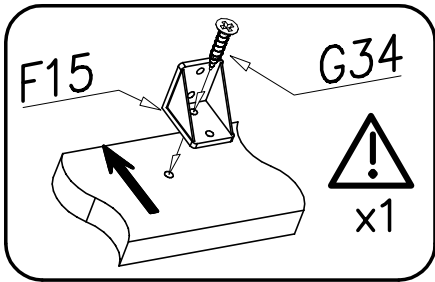
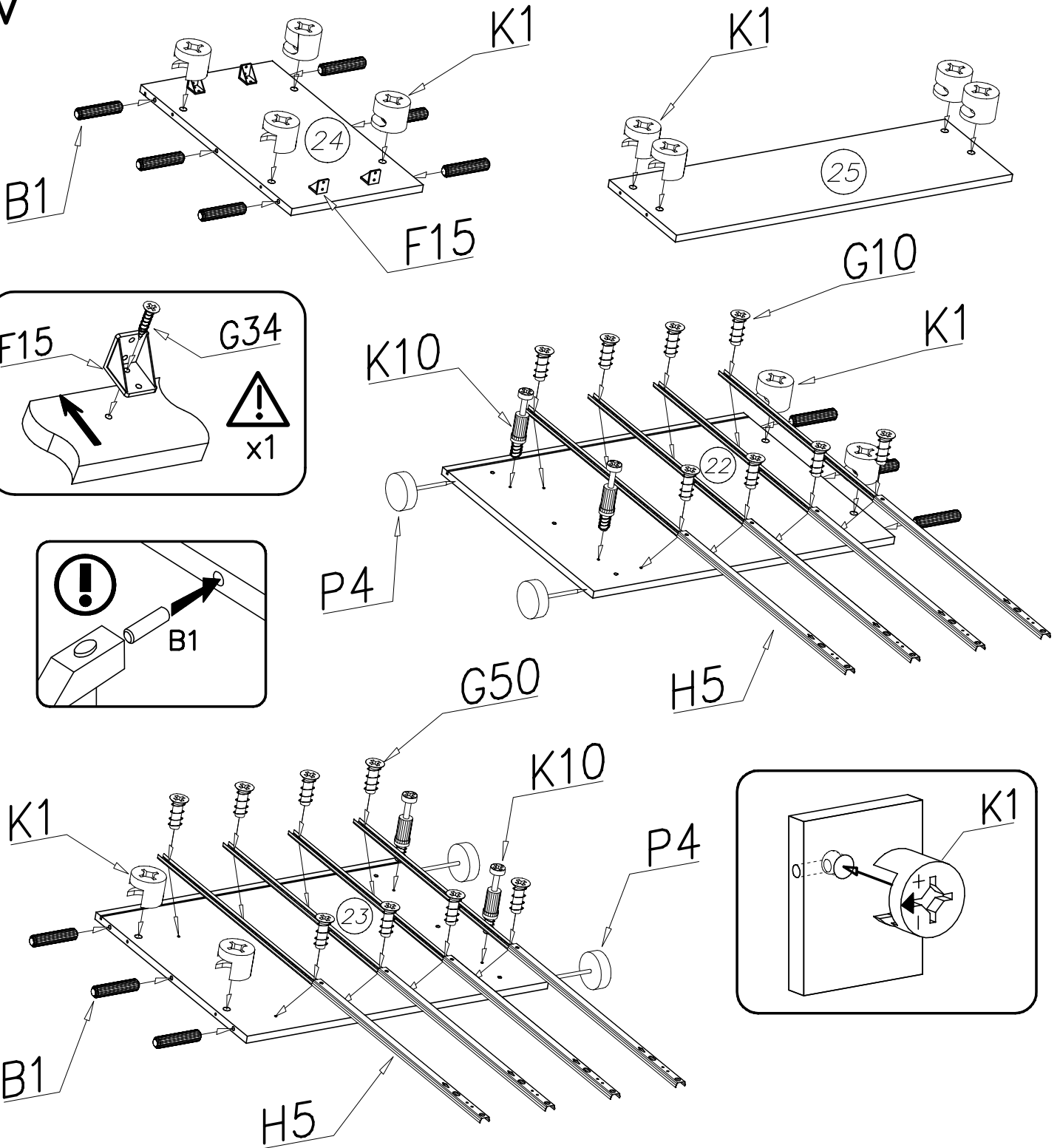


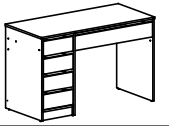
M8



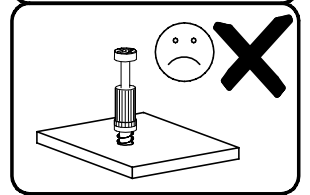
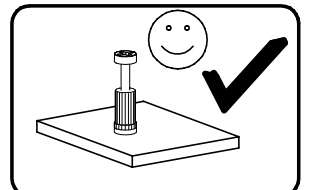
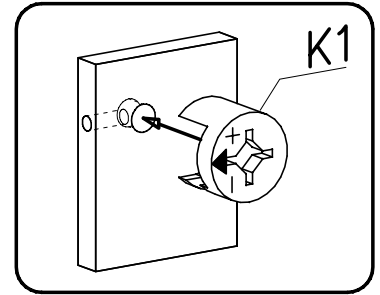
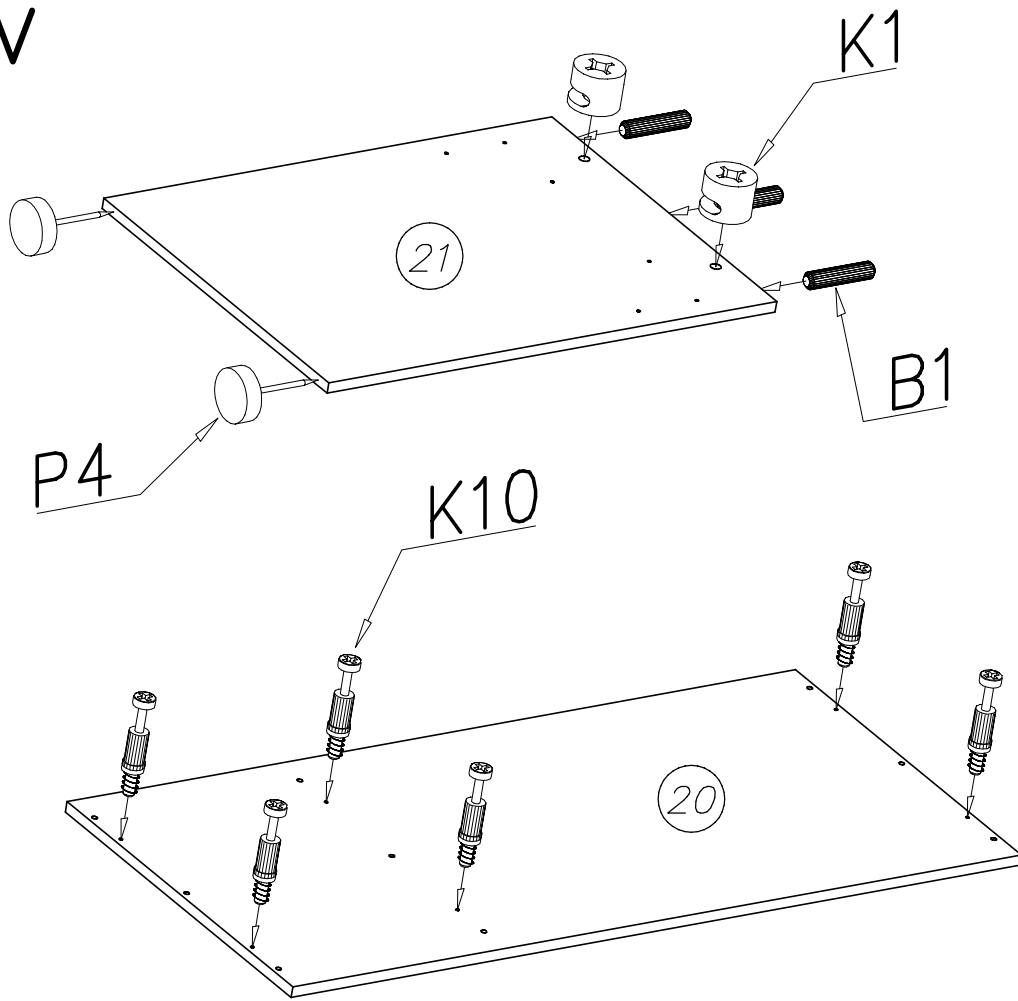


IV

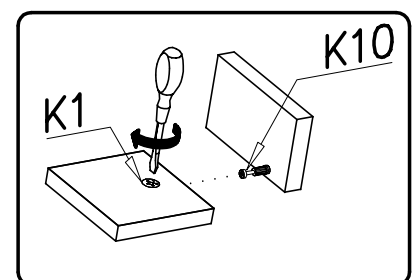
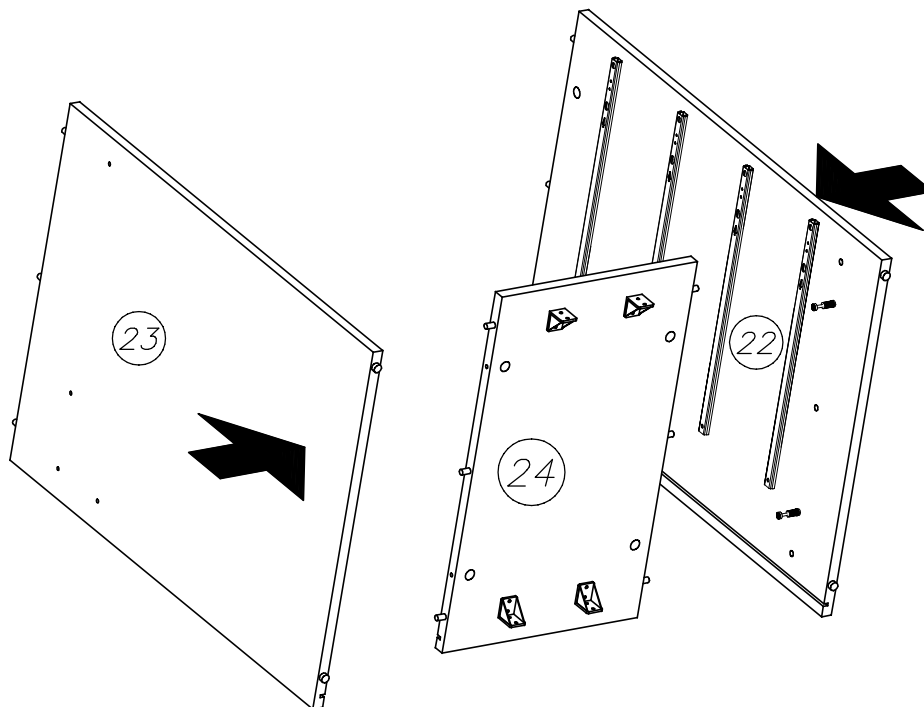


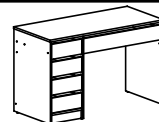


V

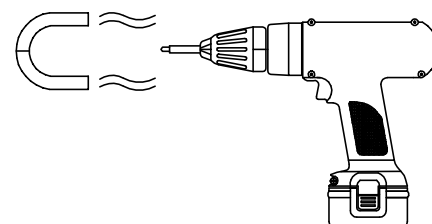
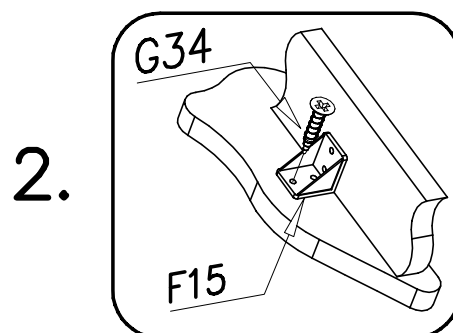
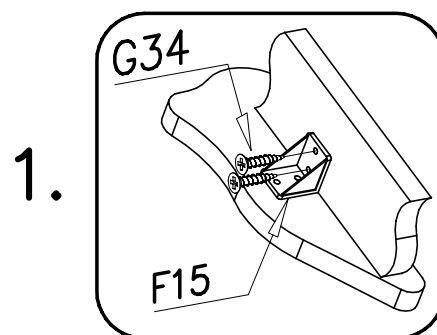
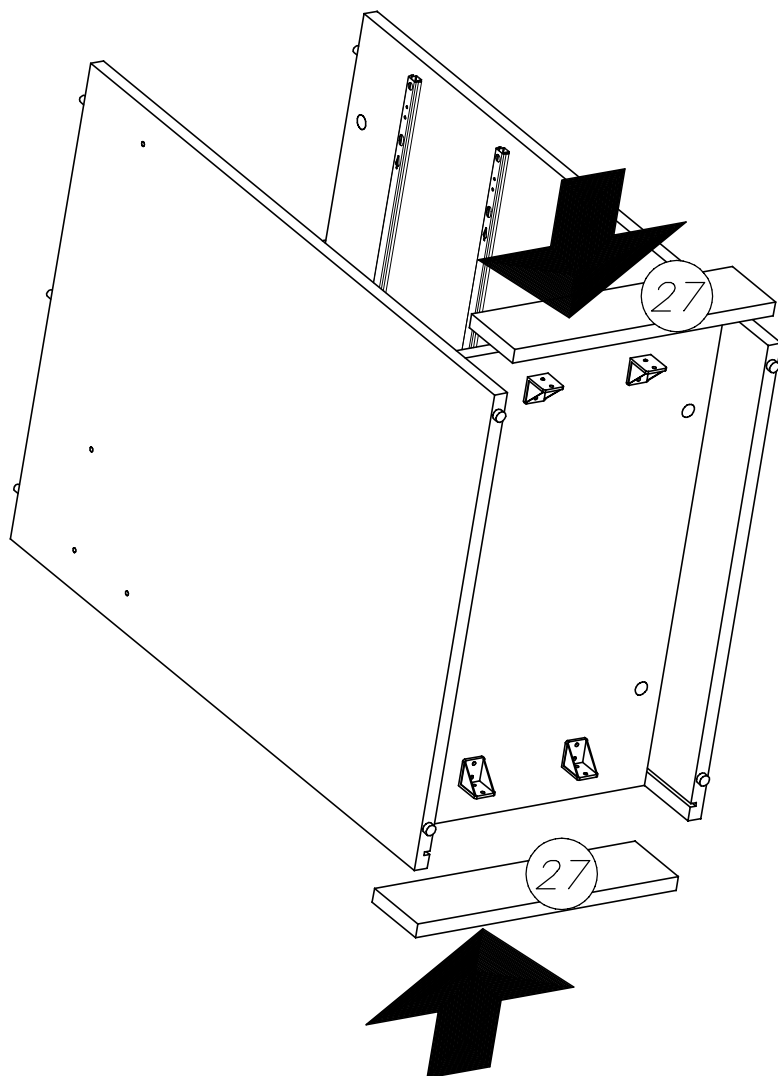


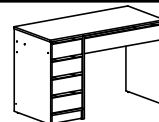
VI



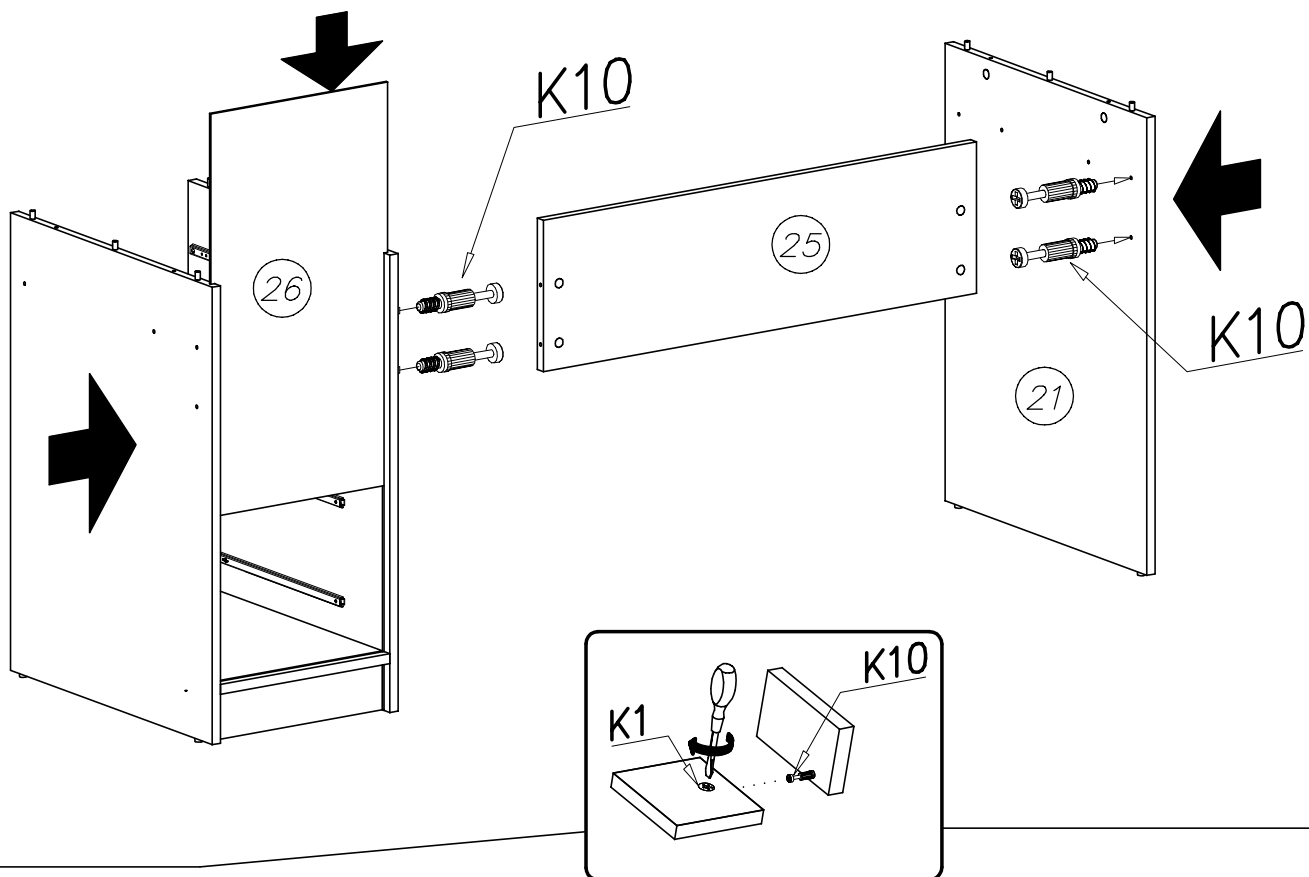
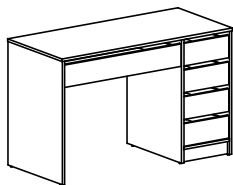


## VII

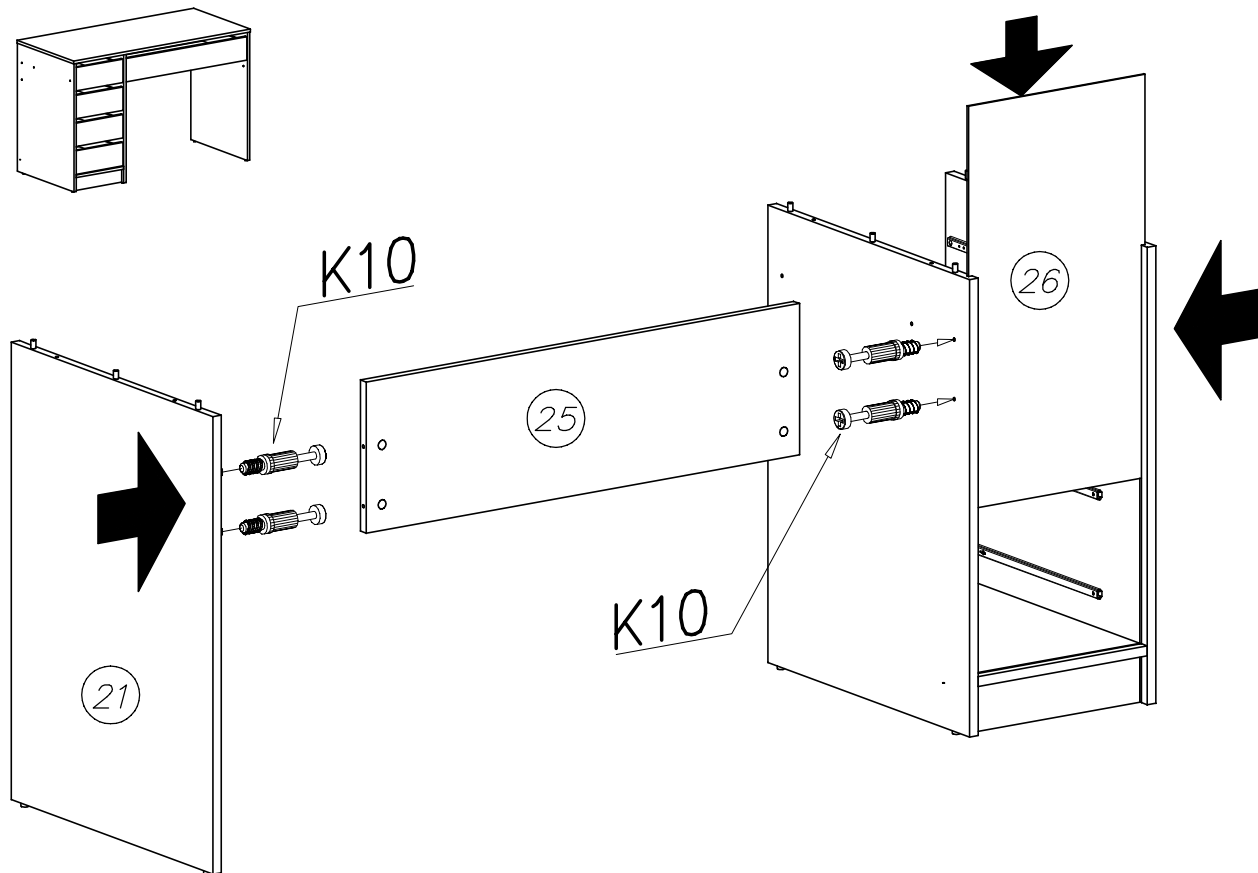
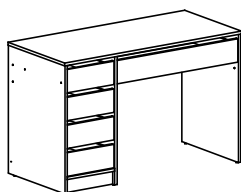




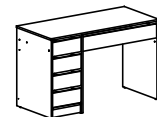
## VIII



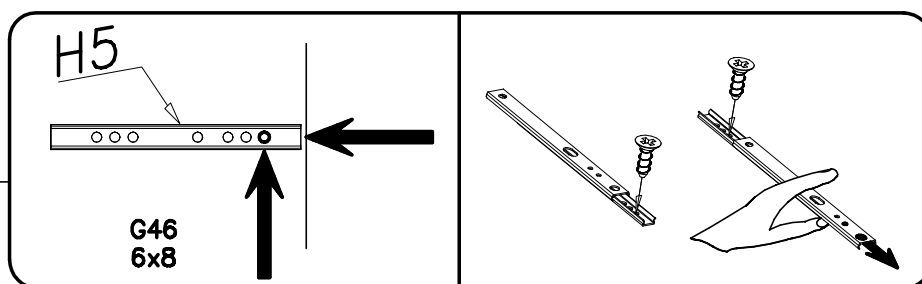
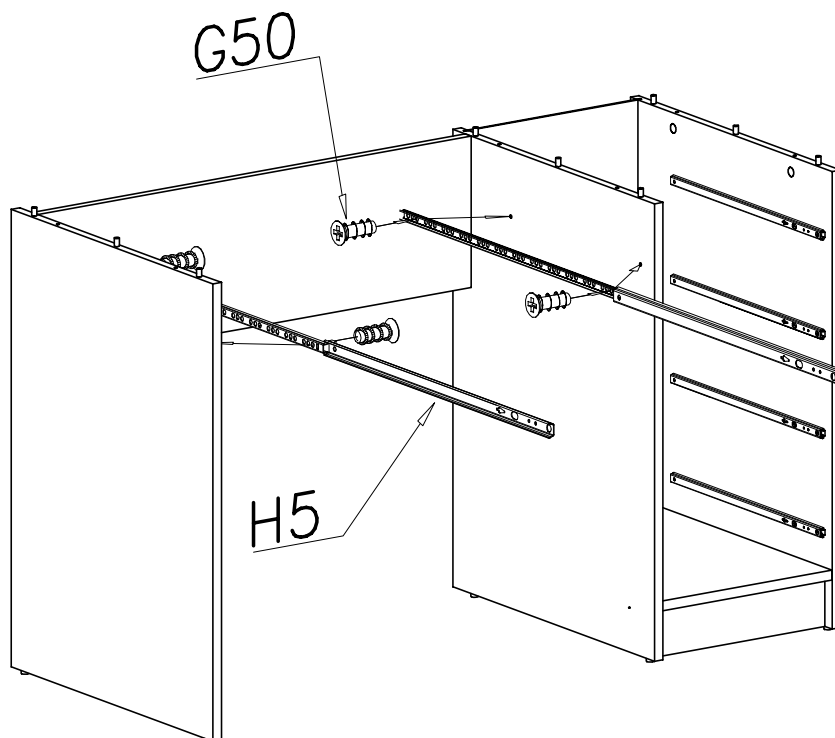
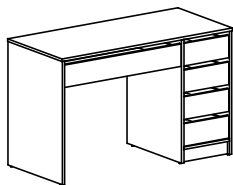
## IX



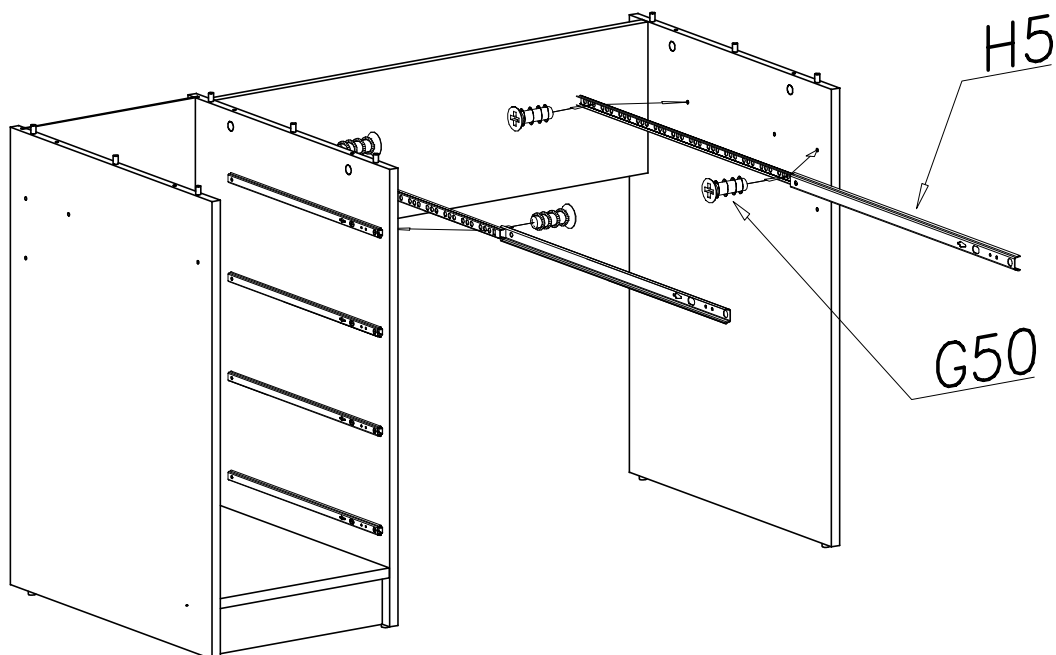
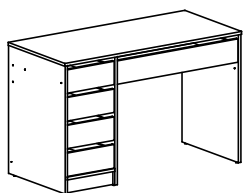


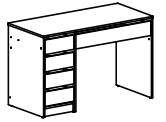


## X

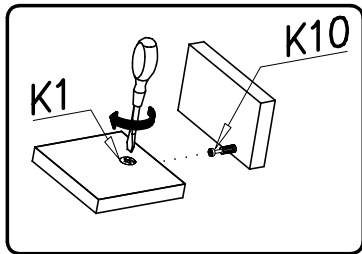
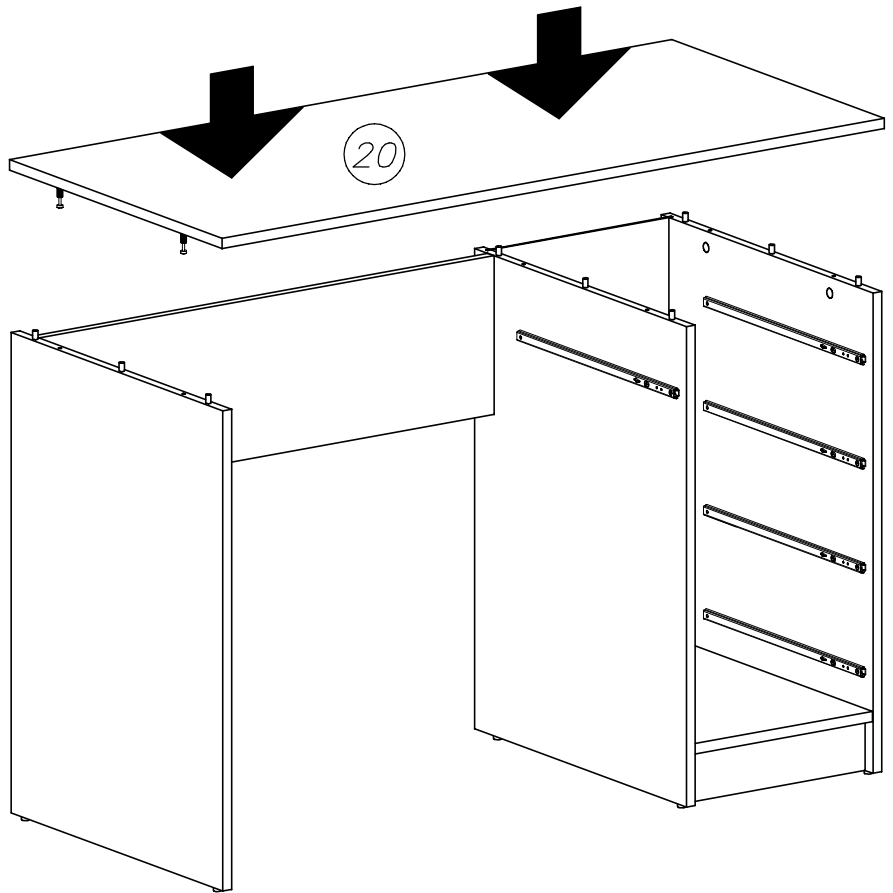
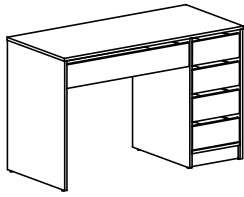


## XI

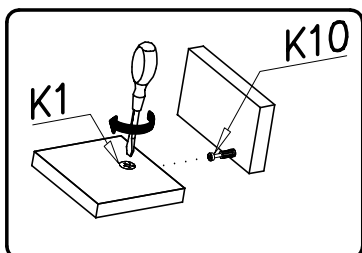
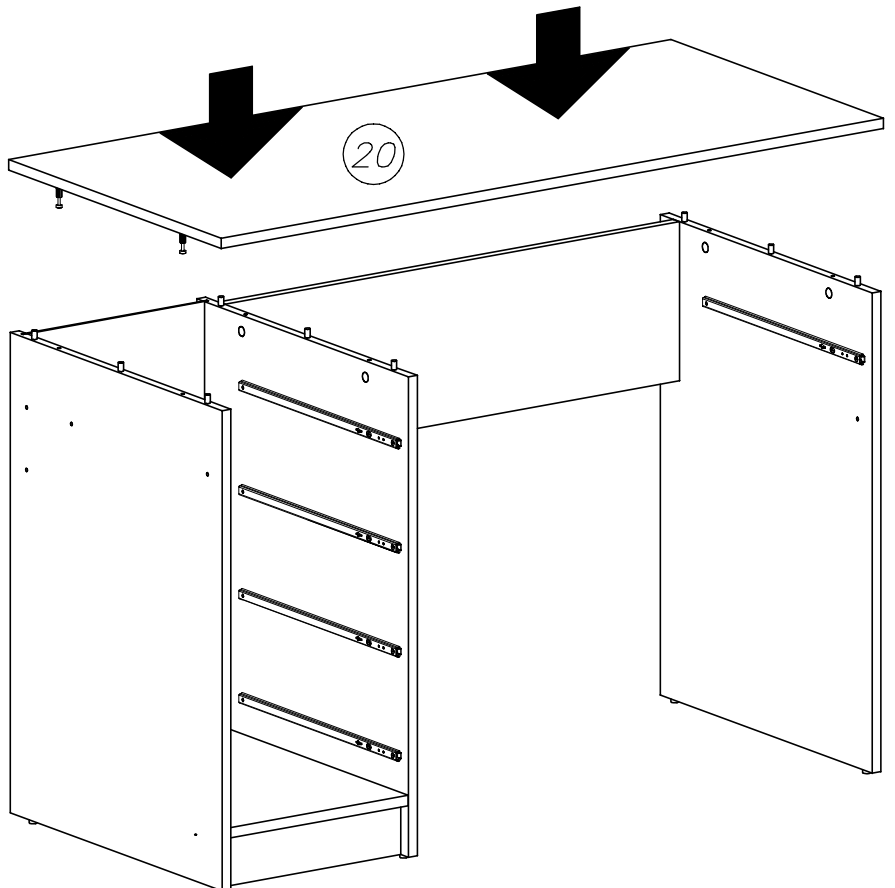
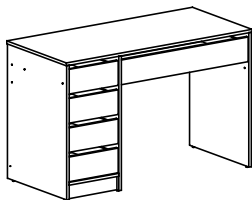


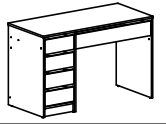


## XII

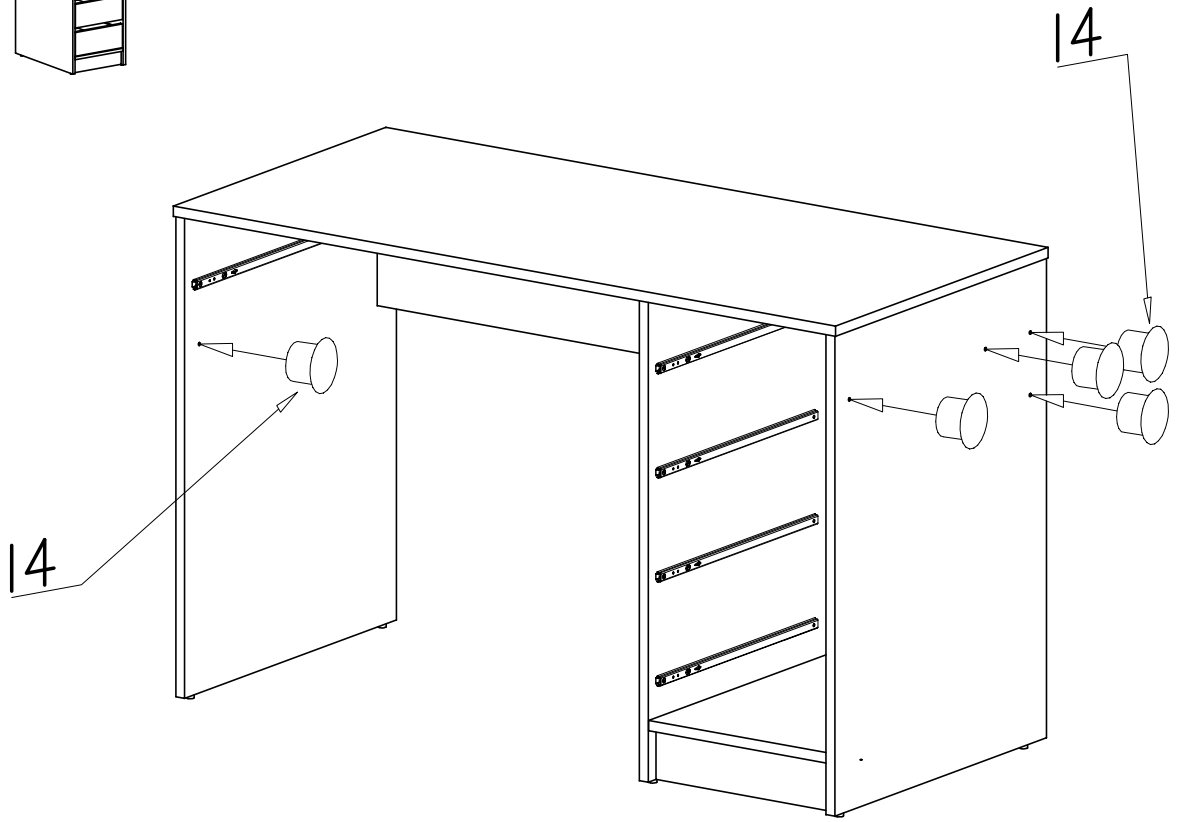
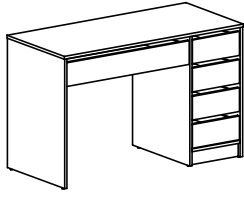


## XIII

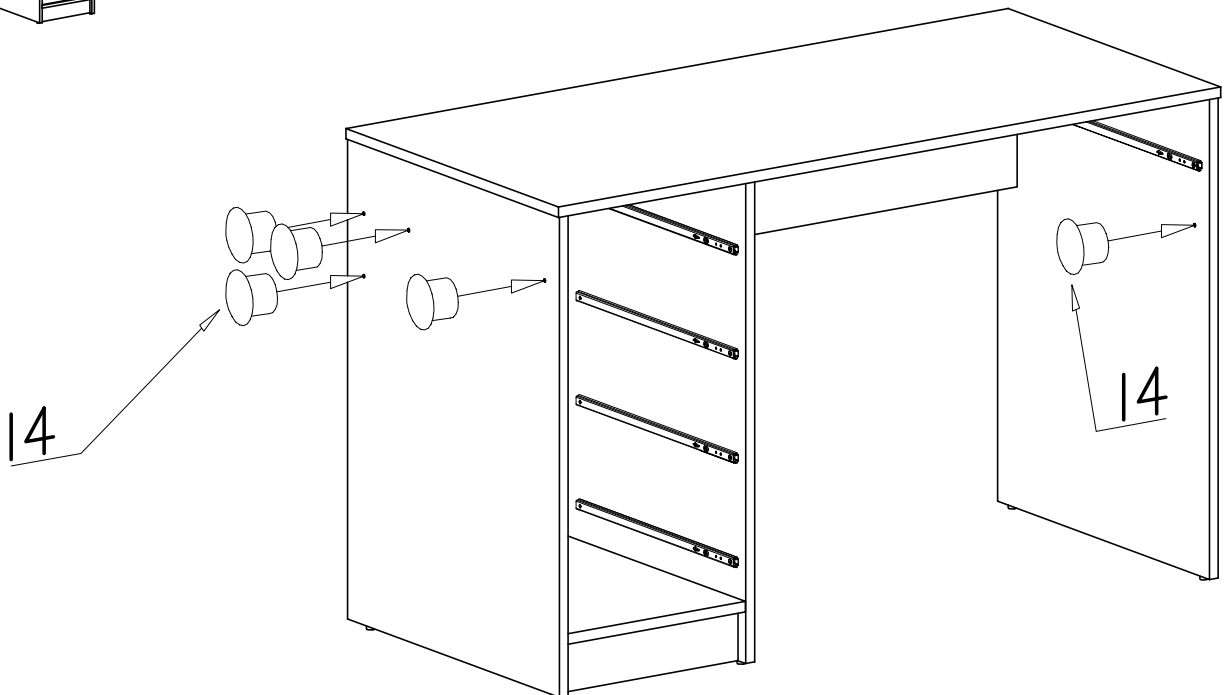
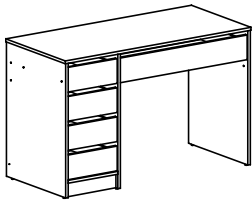


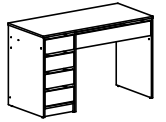


XIV

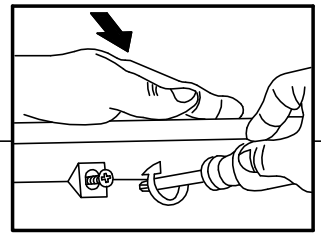
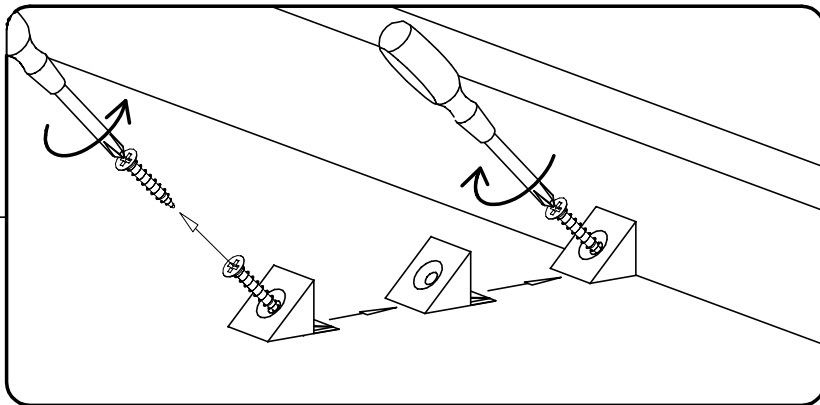
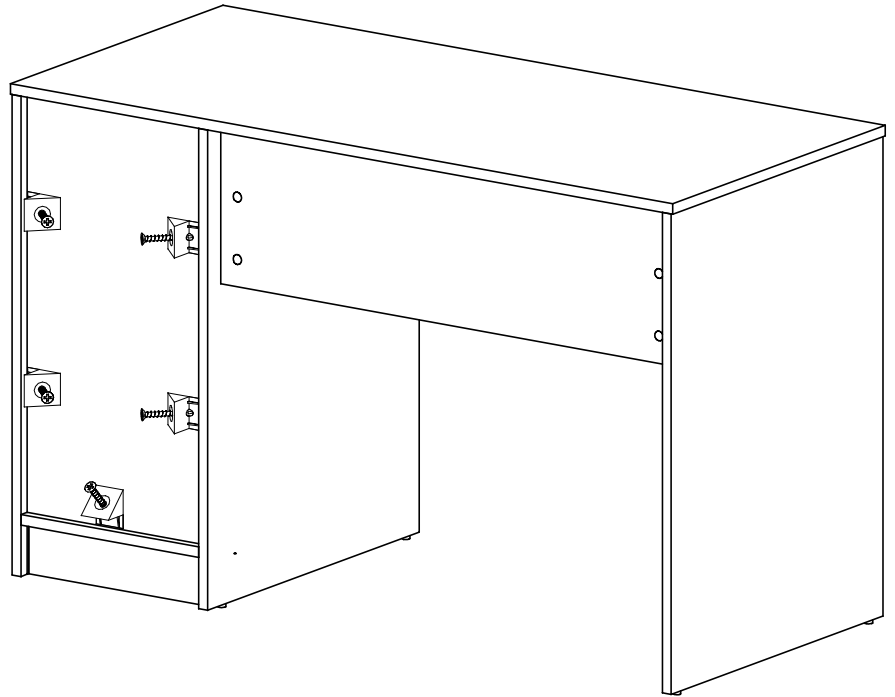
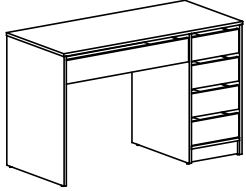


XV

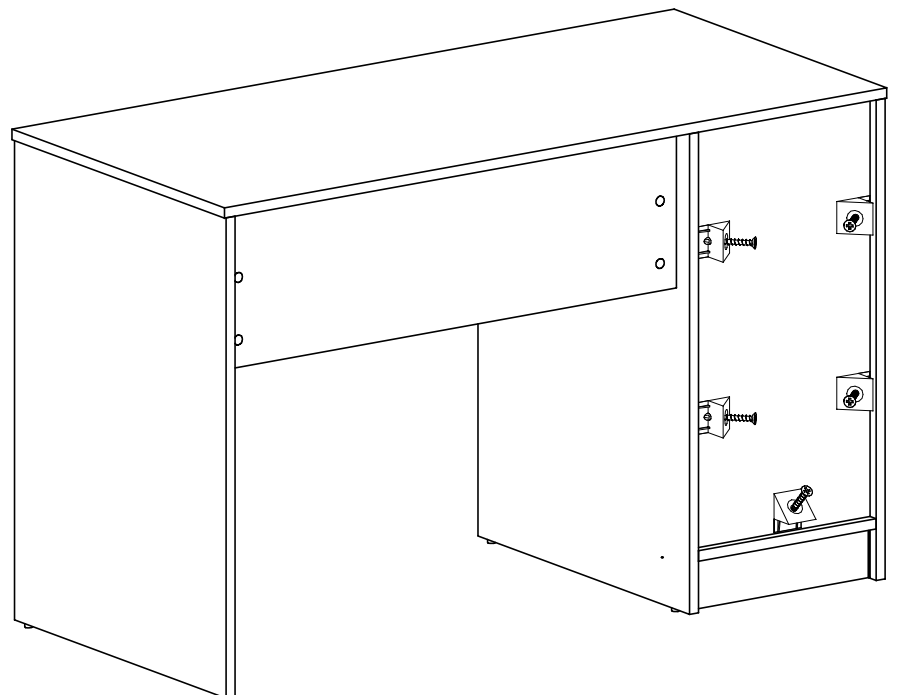
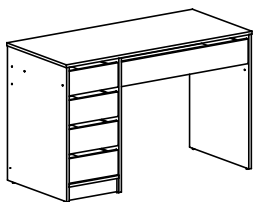


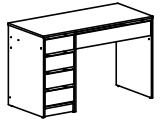


XVI

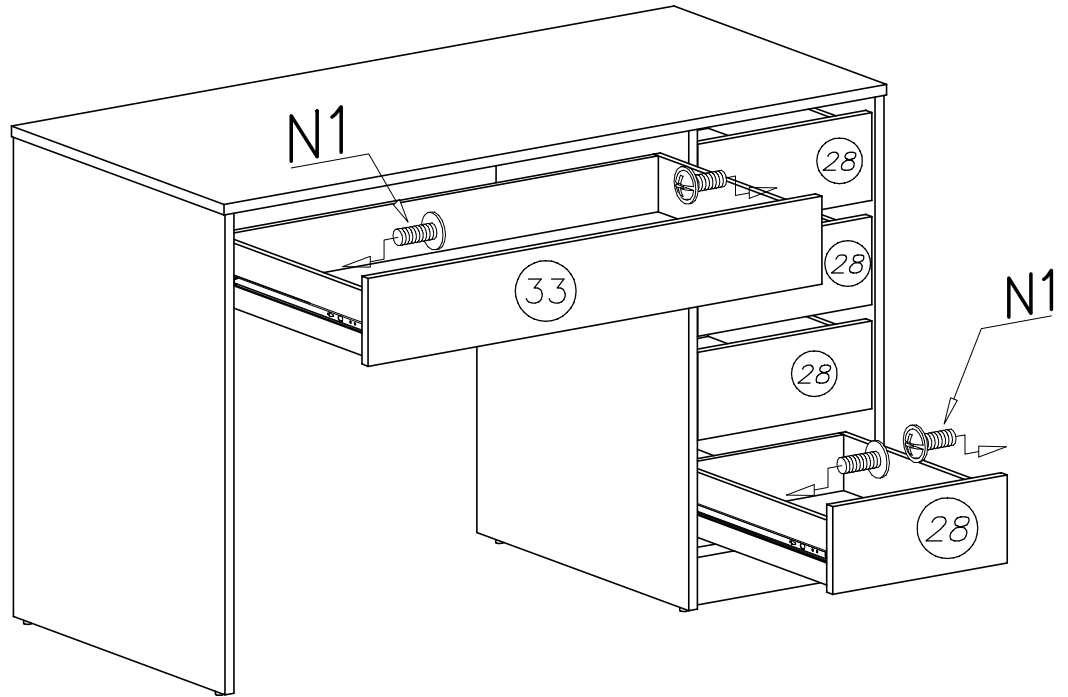
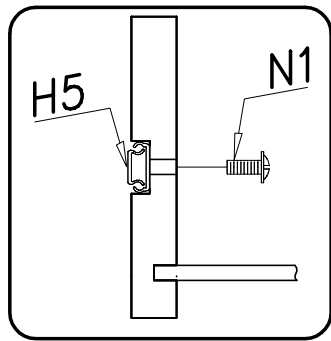
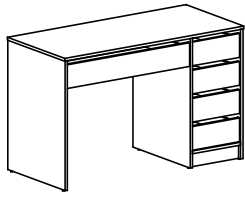


XVII

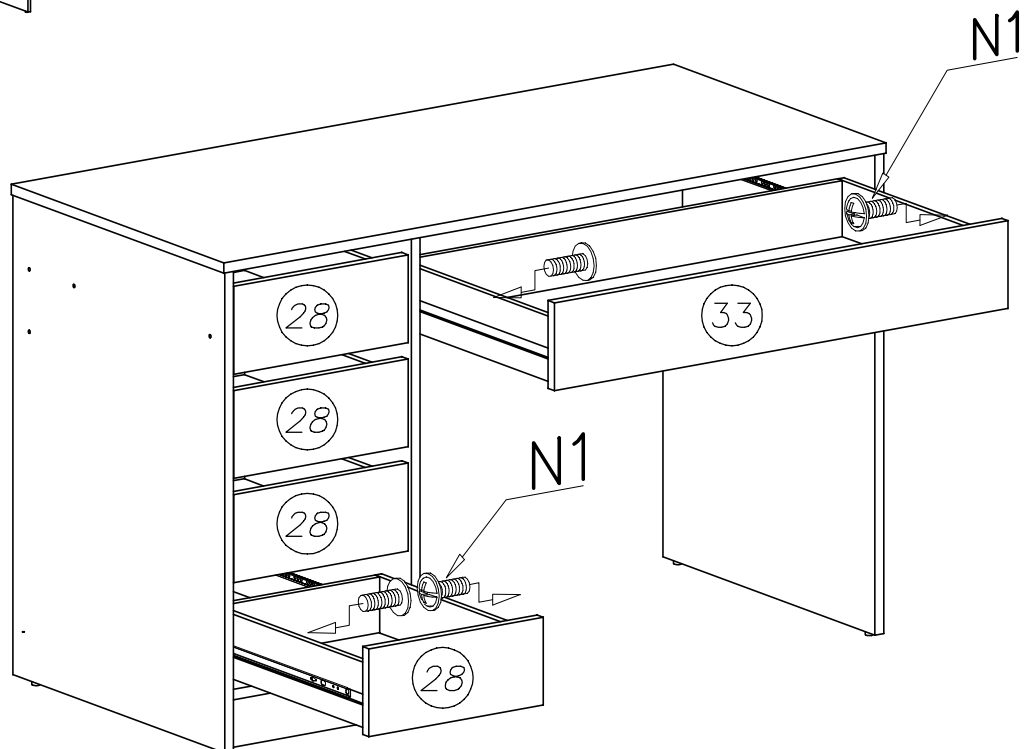
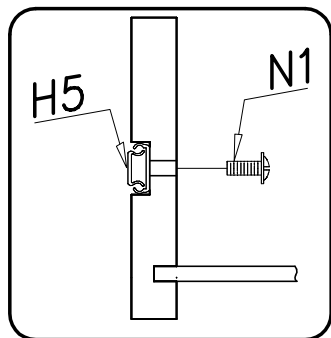
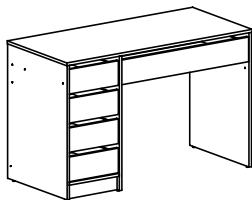


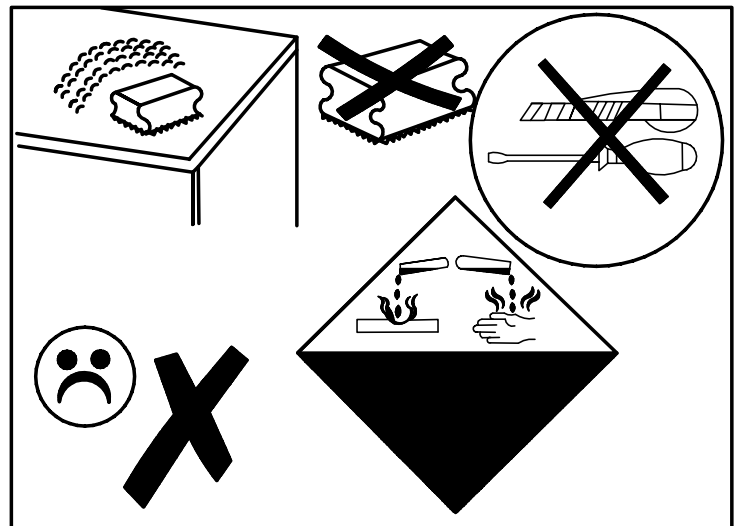
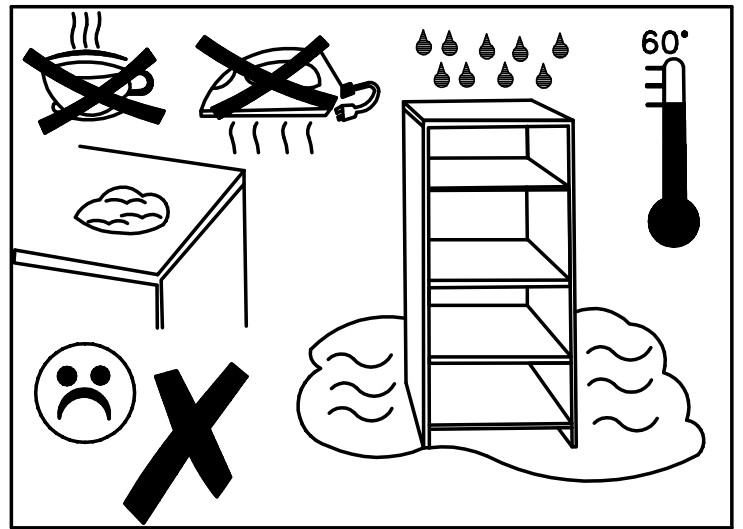
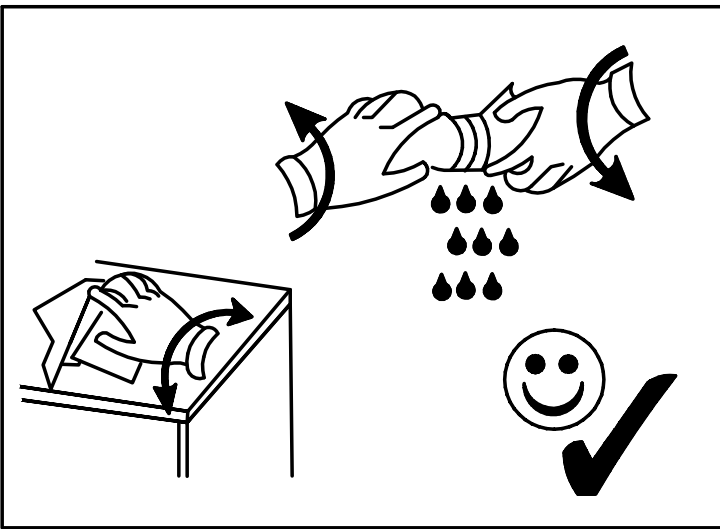
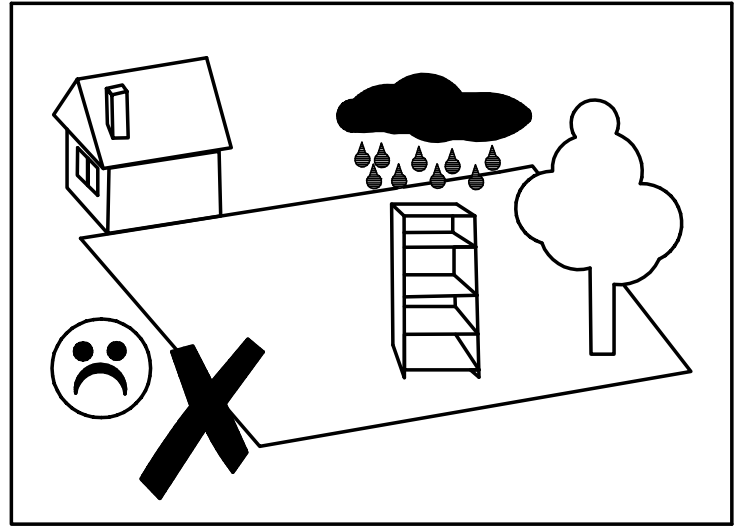
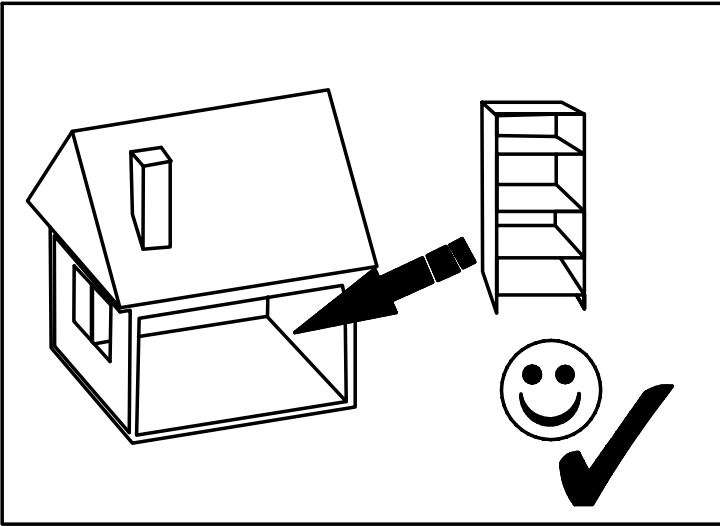


XVIII

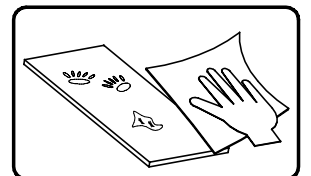
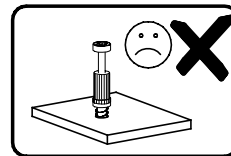
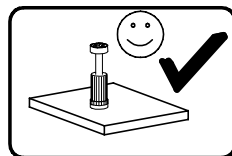
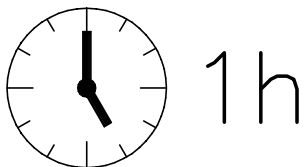
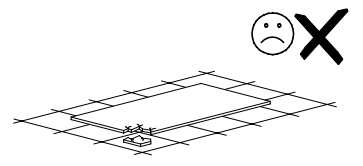
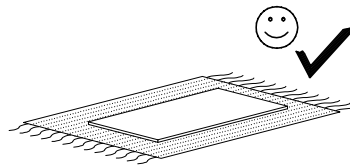
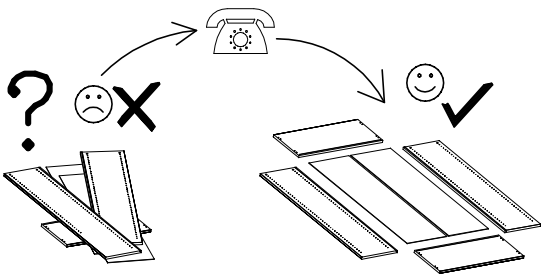
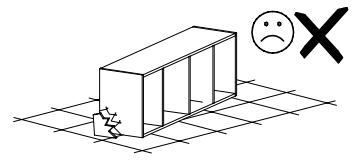
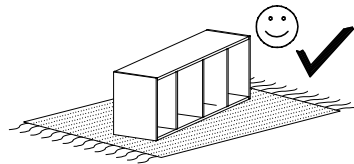
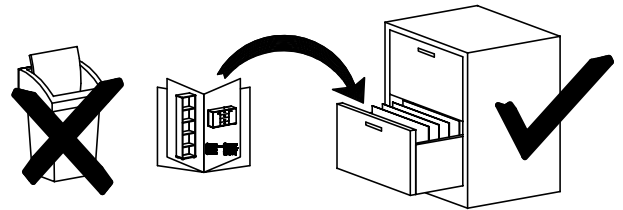
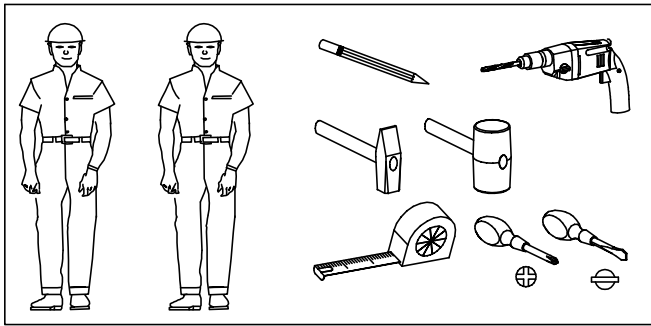
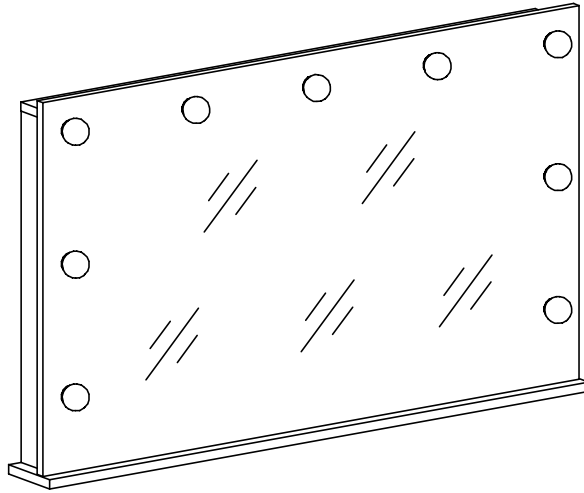


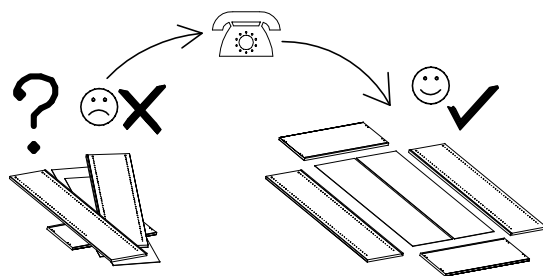
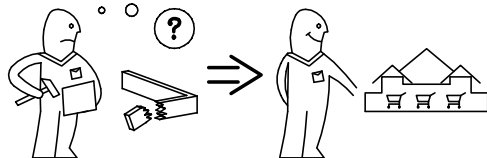
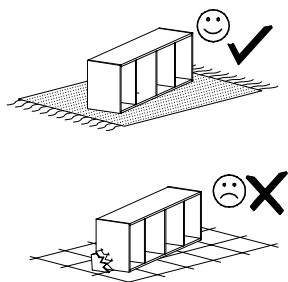
XIX



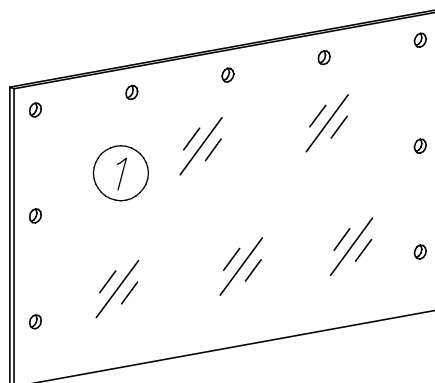
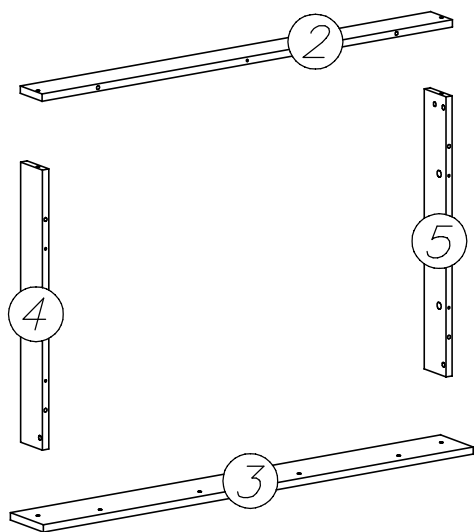


# MADA ELITE

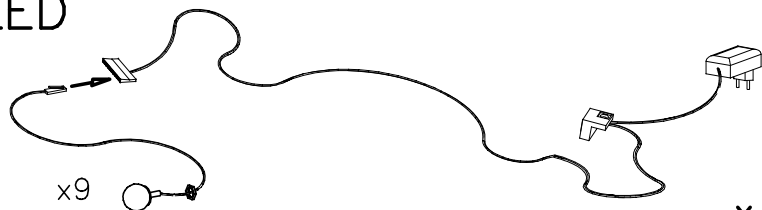




nr	L[mm]	B[mm]	T[mm]	Menge	Colli
1	1100	650	16	1	1/1
2	1055	79	16	1	1/1
3	1104	120	16	1	1/1
4	611	79	16	1	1/1
5	611	79	16	1	1/1



## LED



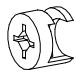
## G3

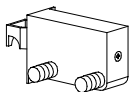


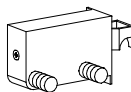
x...(1)


4x30


x...(2)

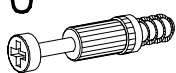
**K1**   $\varnothing 15 \times 12$  x...(5)


**U9L**  x...(1)

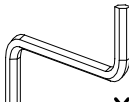
**U9R**  x...(1)


**I7**   $\varnothing 18$  x...(5)


**I10**   $\varnothing 10$  x...(1)

**K10**  x...(5)

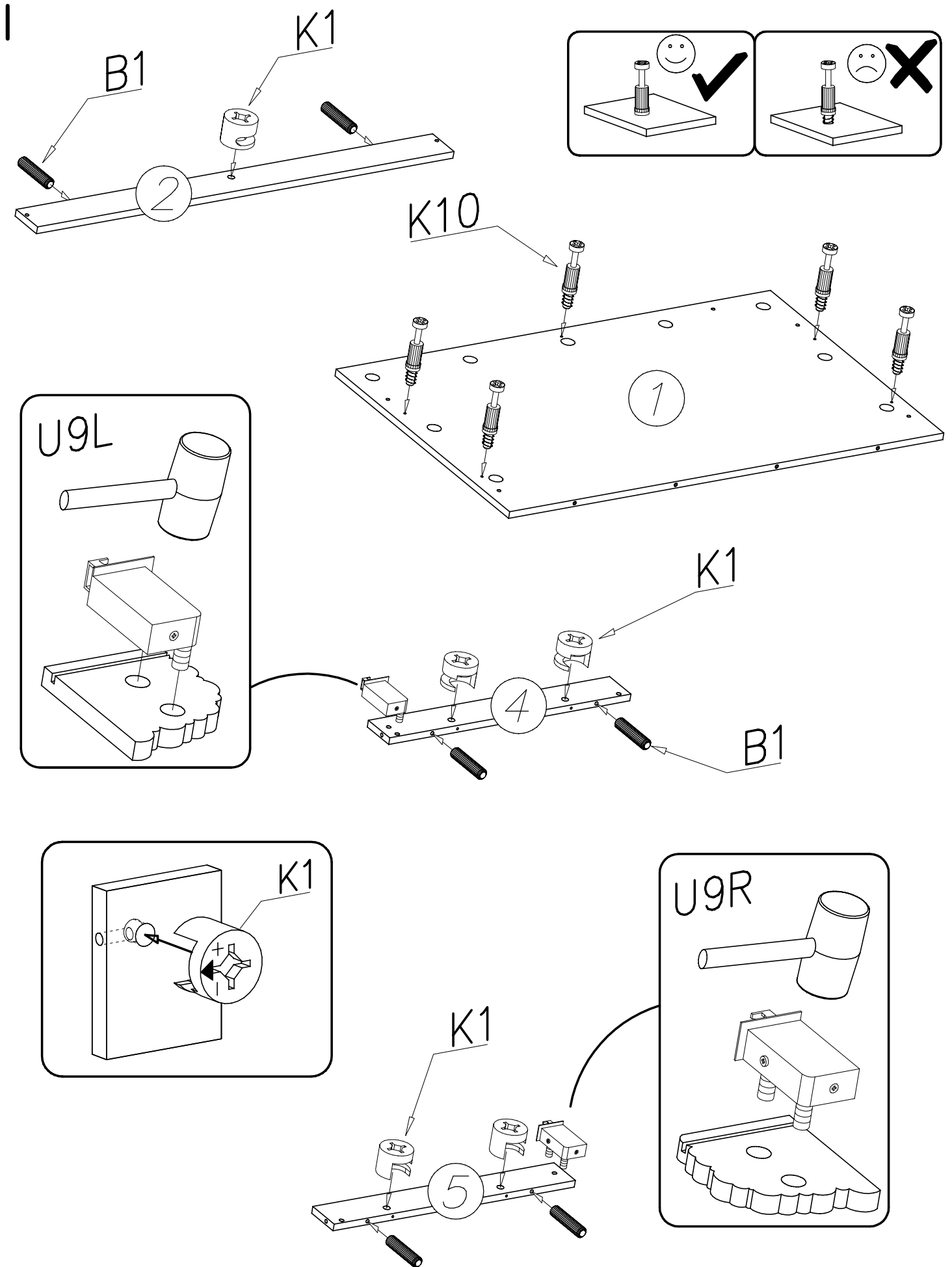
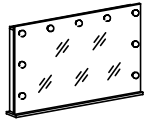
**B1**   $\varnothing 8 \times 35$  x...(6)

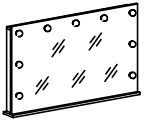
**W2**  x...(1)

**A1**   $\varnothing 7 \times 50$  x...(8)

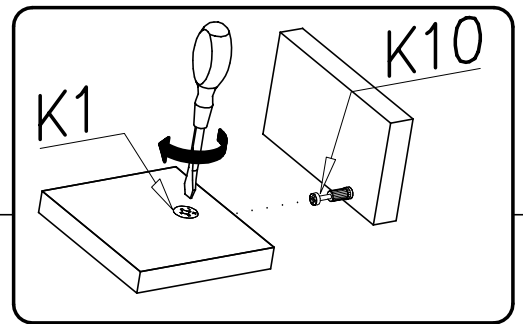
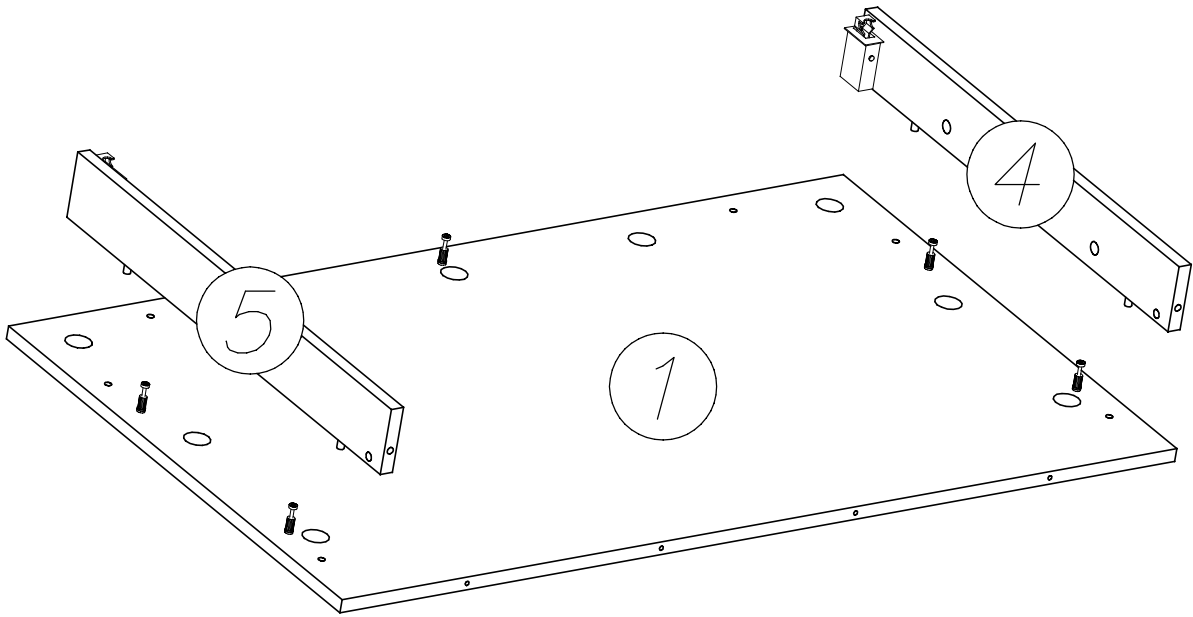
**I9**   $\varnothing 12$  x...(8)



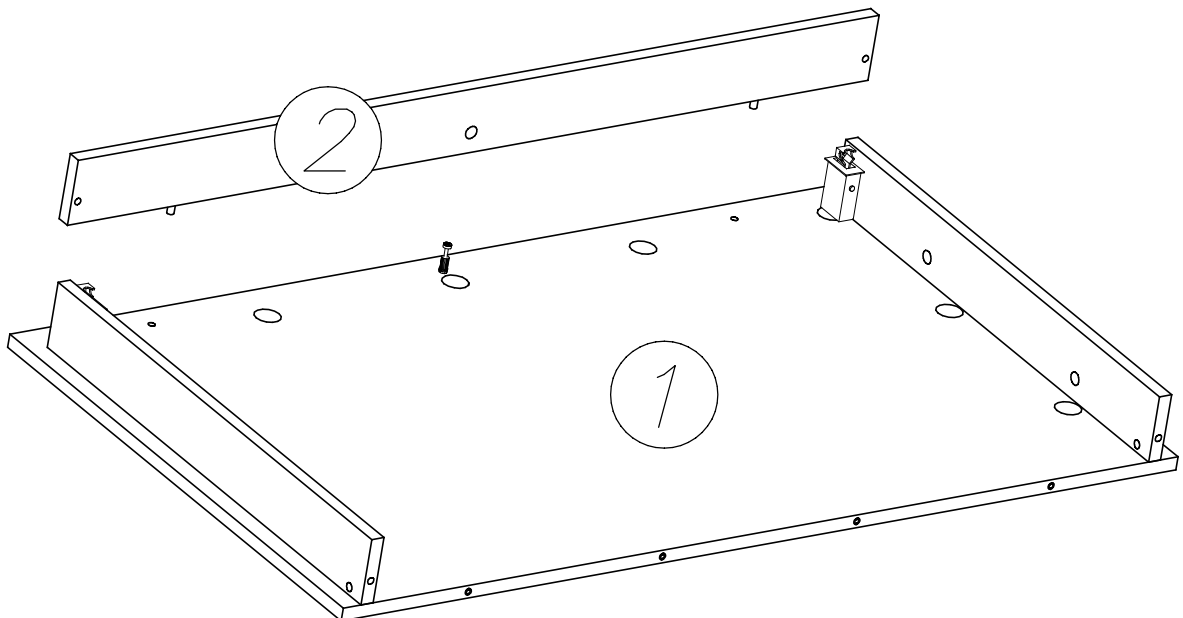


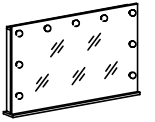


II

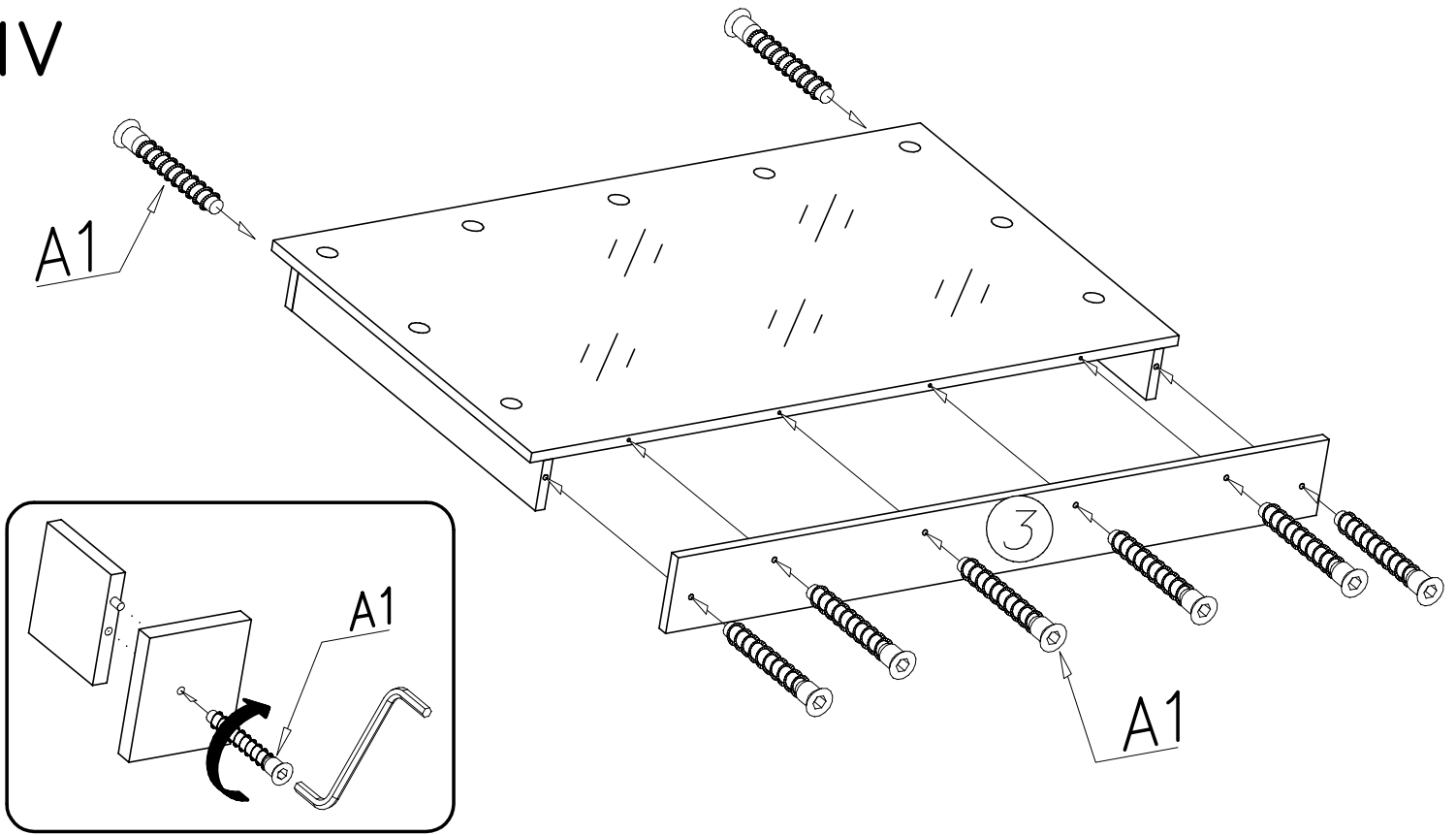


III

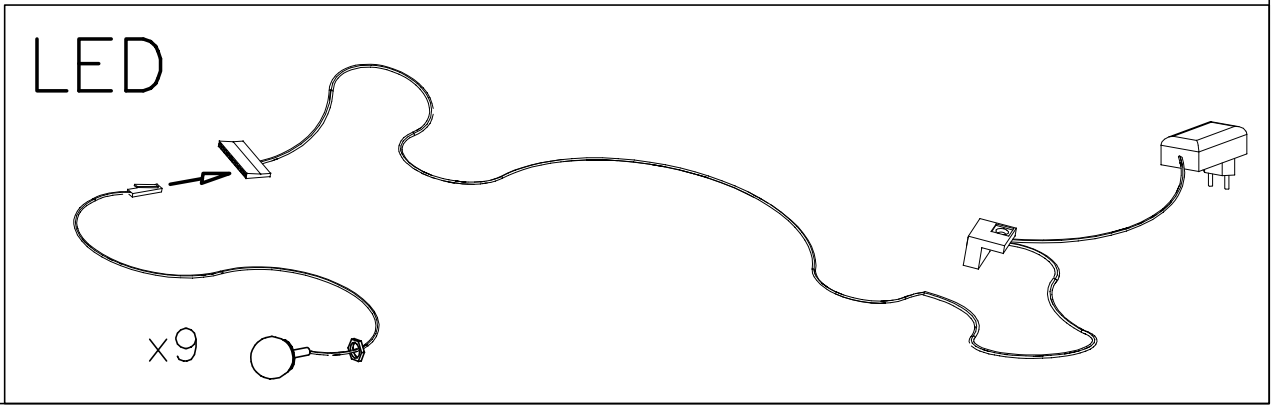
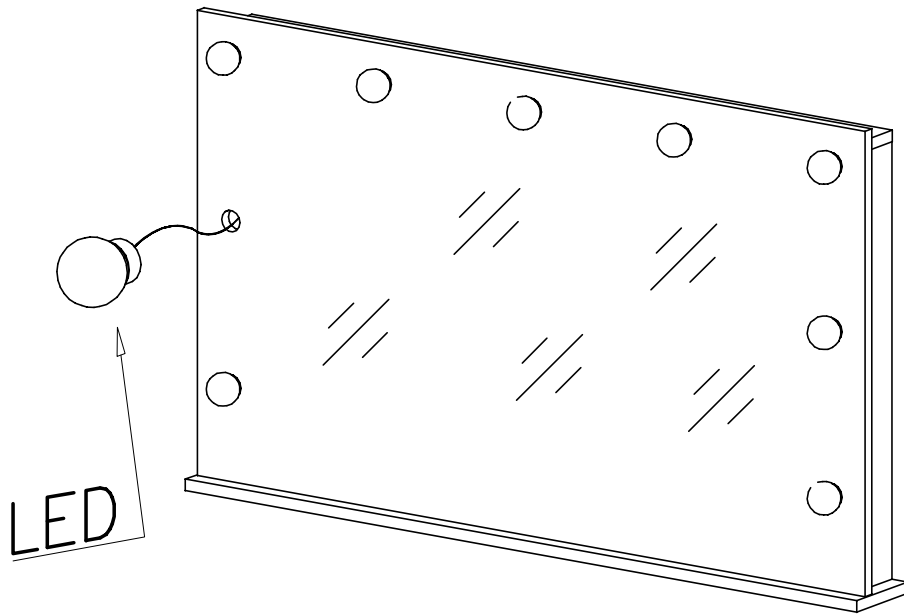


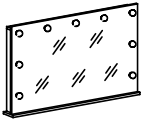


## IV

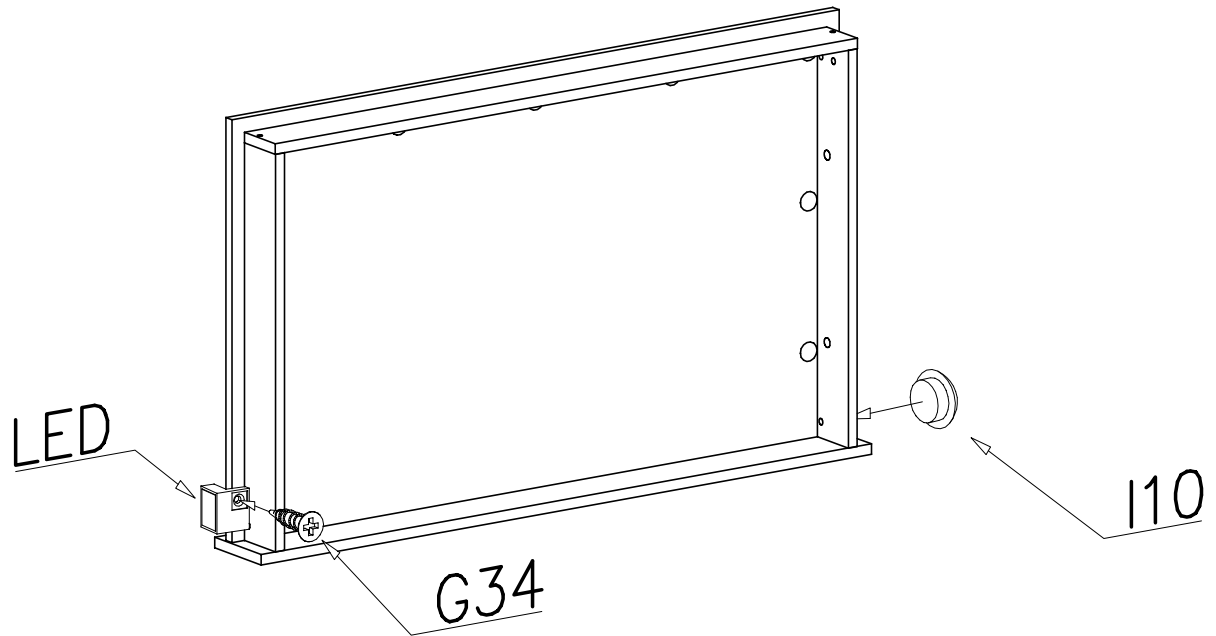


## V



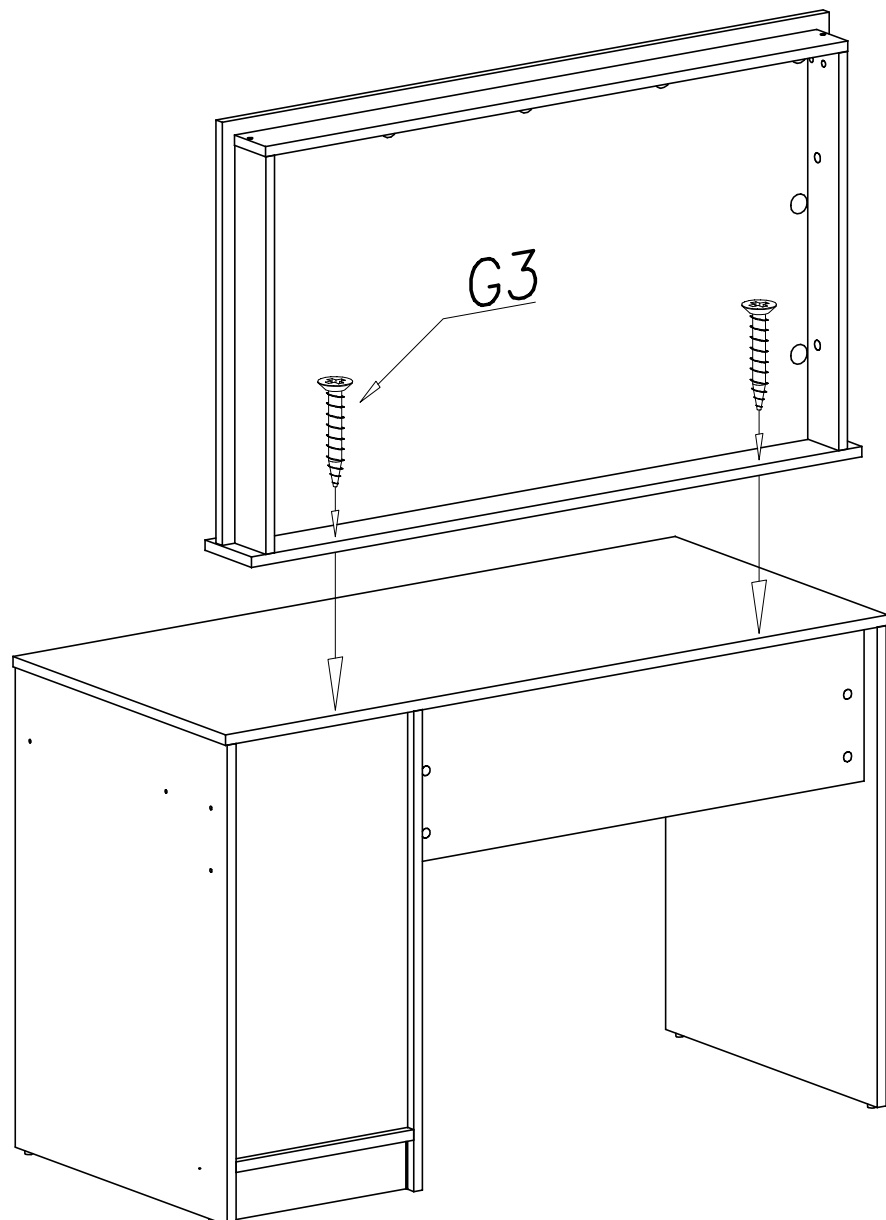
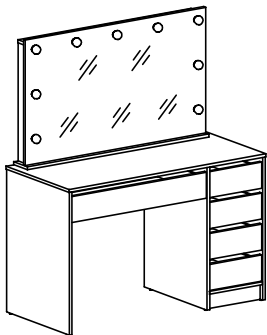


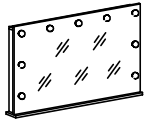
VI



VII

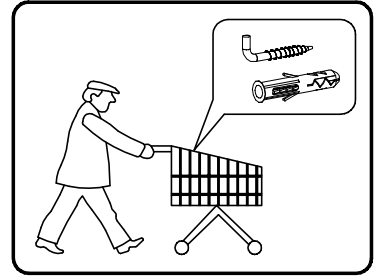
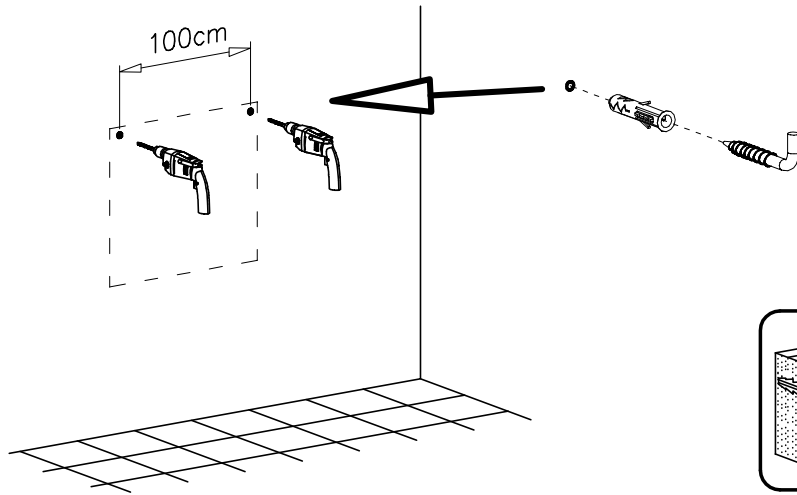
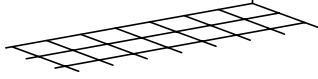
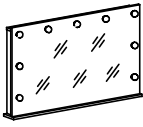
wersja A





## VIII

wersja B



## IX

