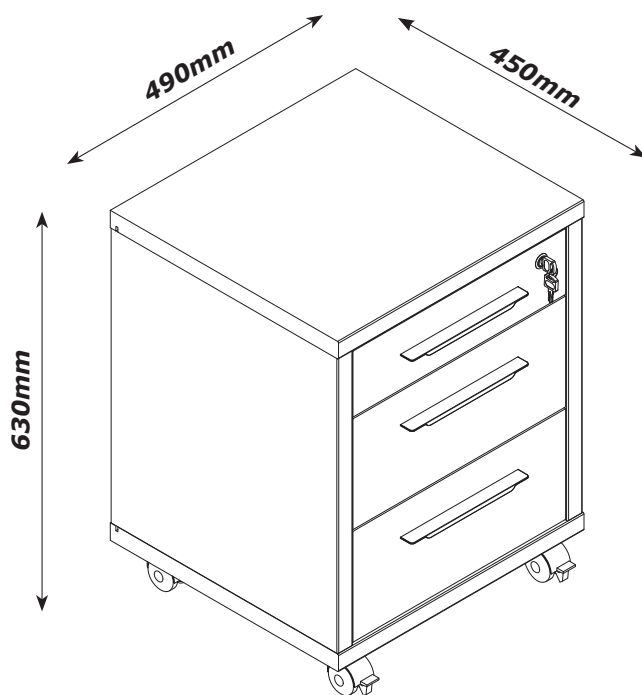
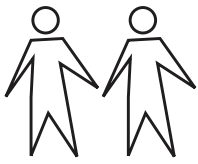


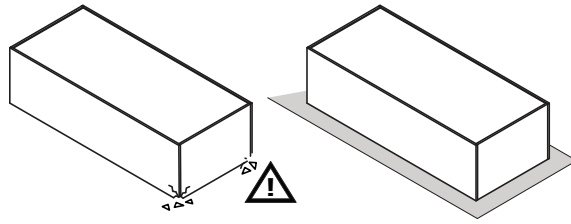
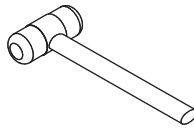
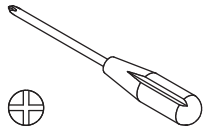
CT4811K51204



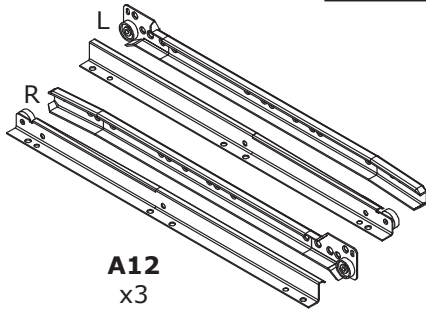
QF3541-3



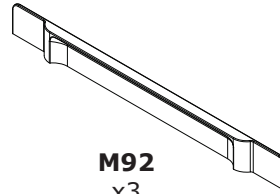
1h



BU2943

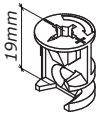


A12
x3

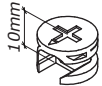


M92
x3

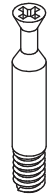
BU2924



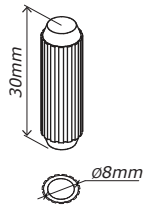
T97
x4



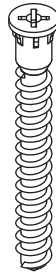
T98
x4



T28
x8



H1
x8



V57
x4



V5
x26



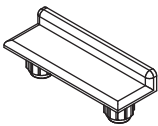
H2
x10



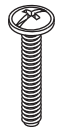
H14
x1



V13
x12



H114
x4



V137
x6



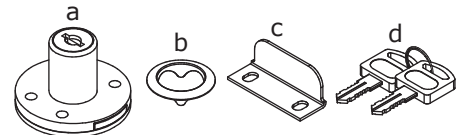
G128
x4



V109
x2

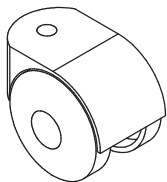


H173
x1

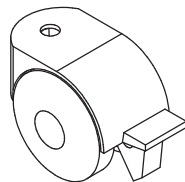


H171
x1

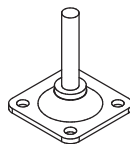
BU0144



H97
x2



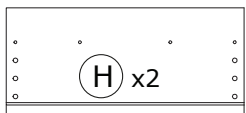
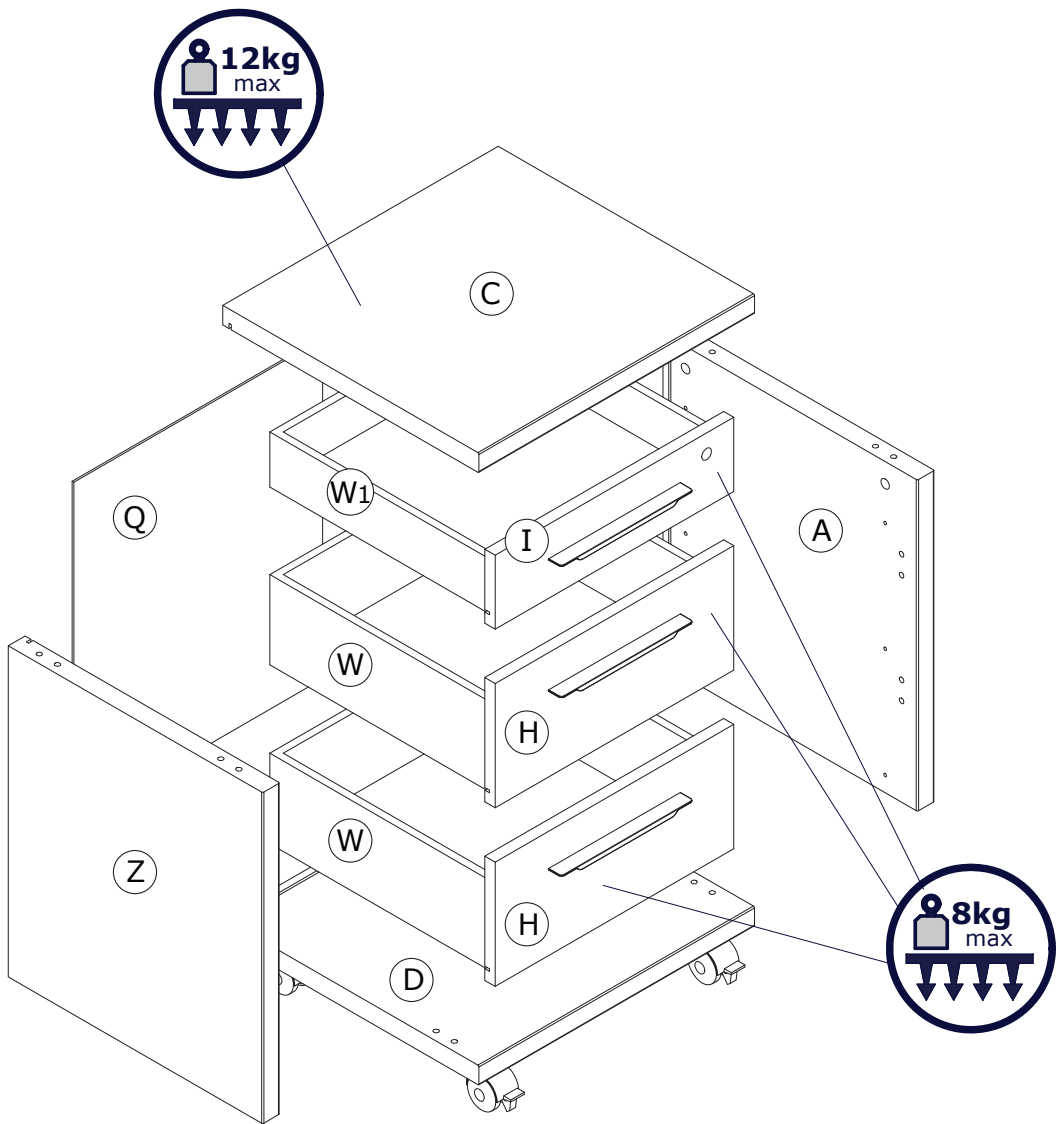
H96
x2



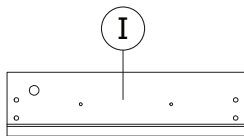
H47
x4



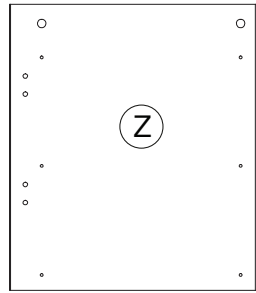
V5
x16



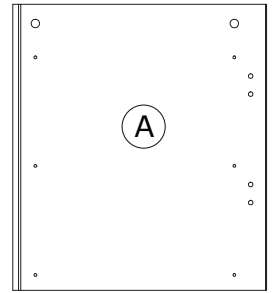
CS2239
421x190x18mm



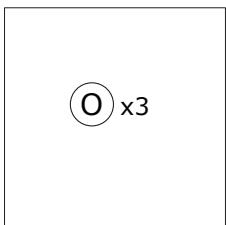
CS2237
421x113x18mm



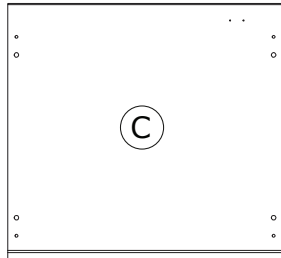
FI5700
506x449x30mm



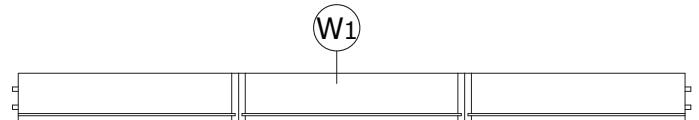
FI5699
506x449x30mm



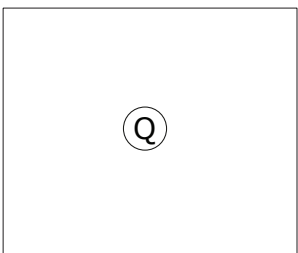
SH3647
391x387x3mm



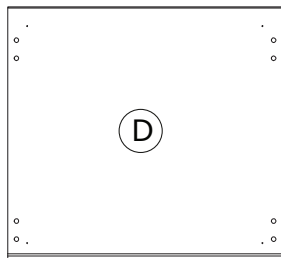
CA2780
486x452x30mm



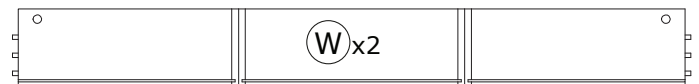
OF0276
390x400x390mm H.84mm



SH2534
520x439x3mm

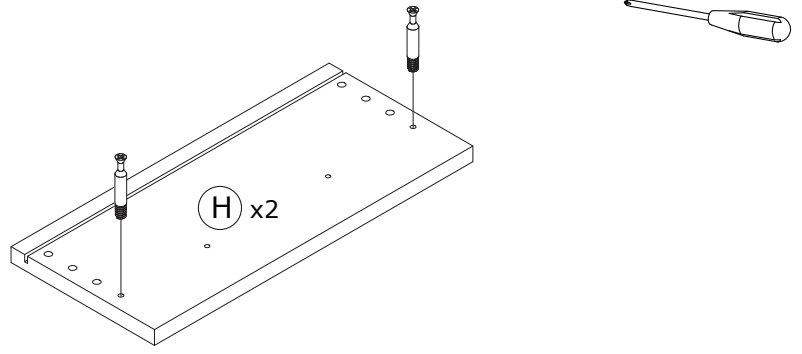
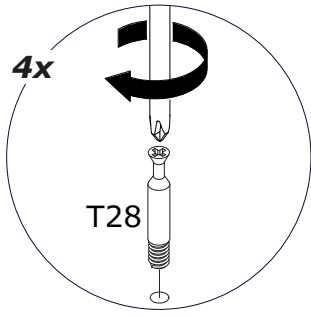


BA1704
486x452x30mm

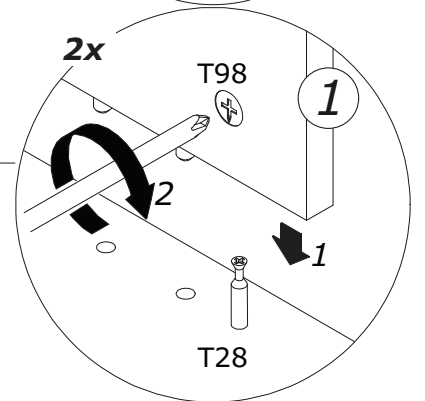
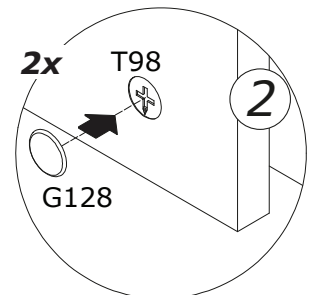
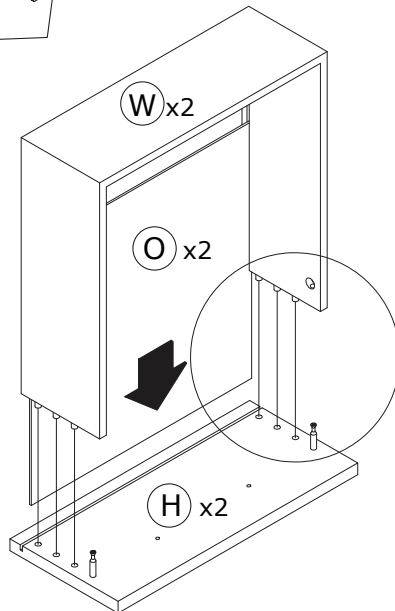
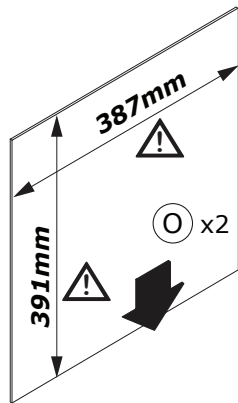
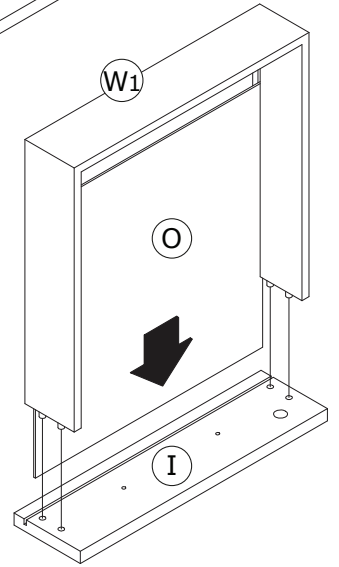
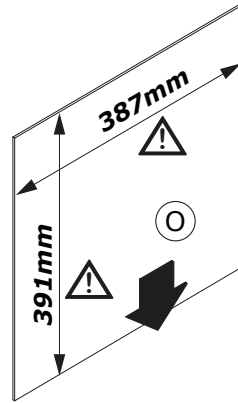
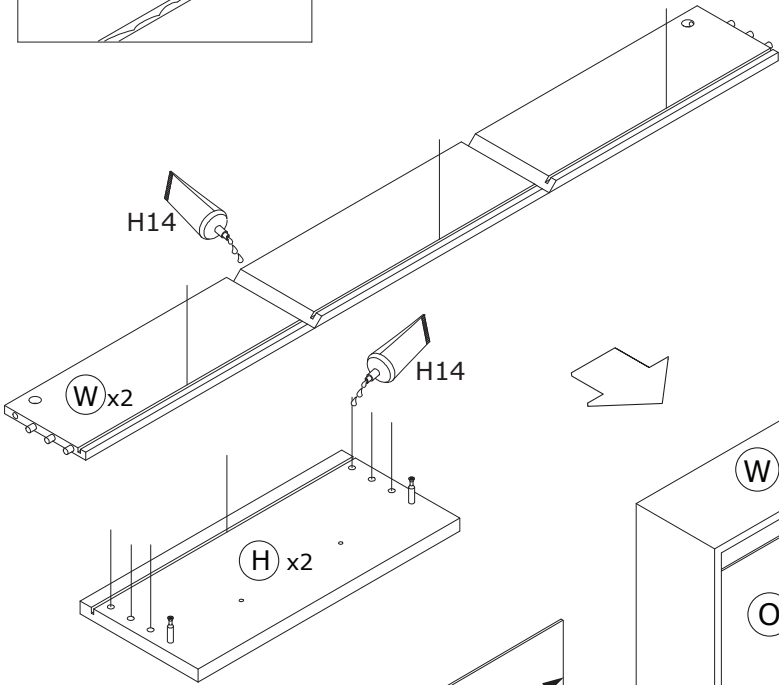
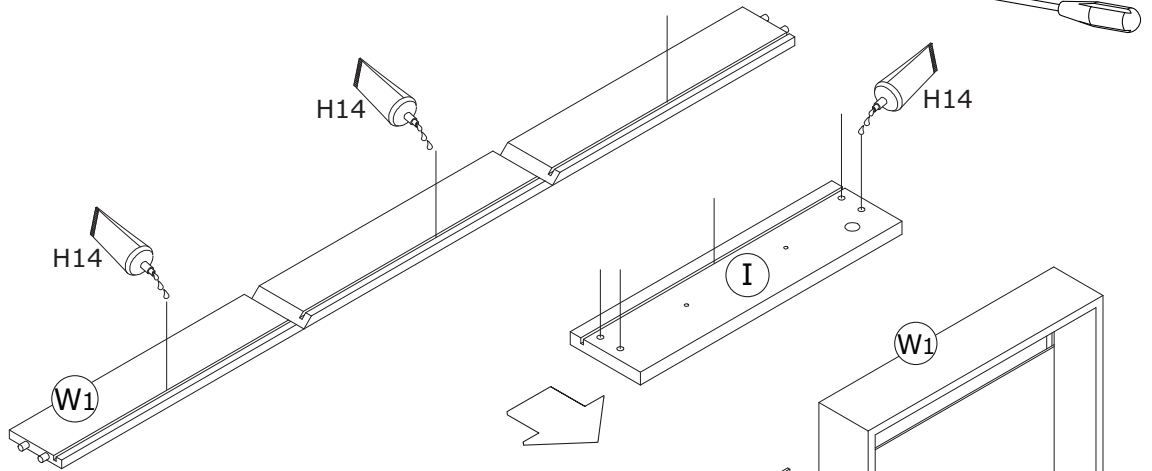
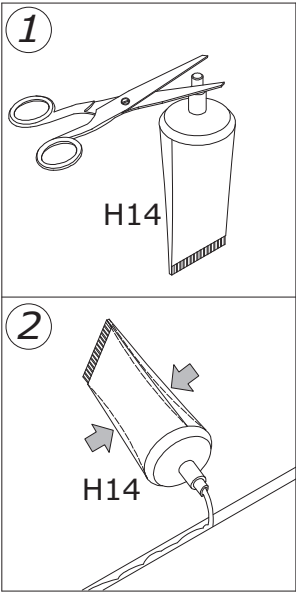


OF0275
390x400x390mm H.138mm

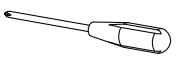
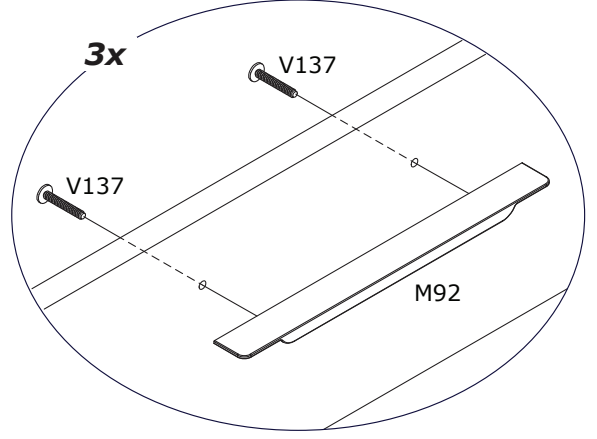
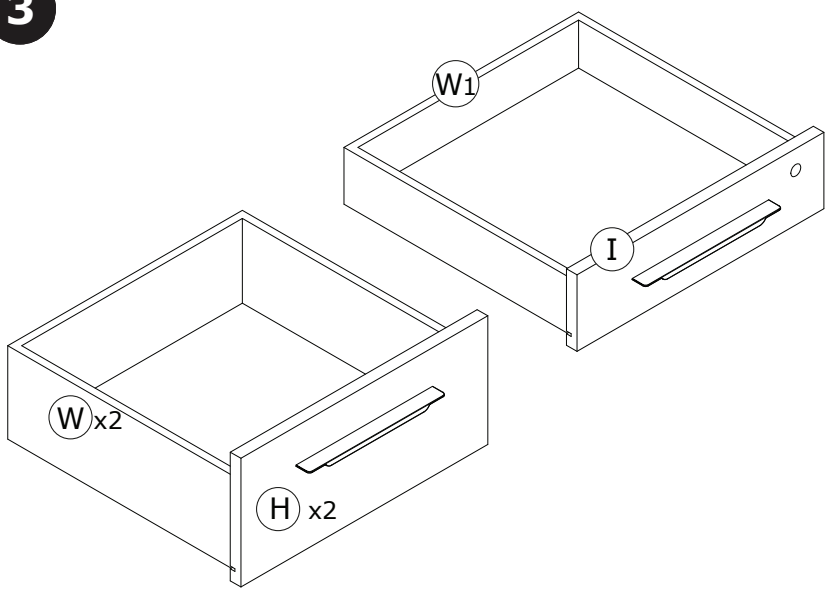
1



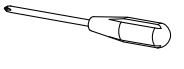
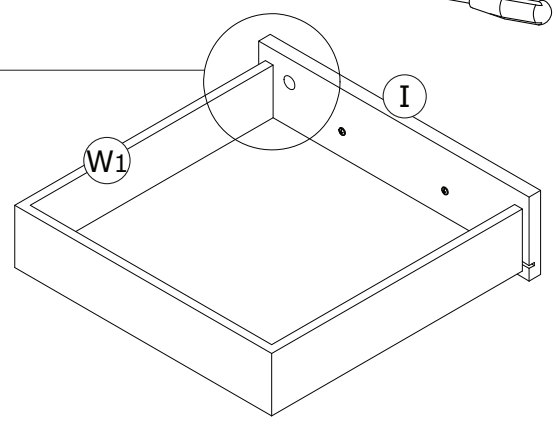
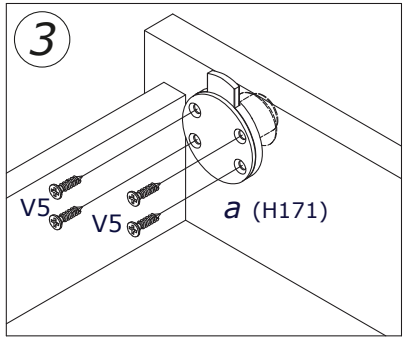
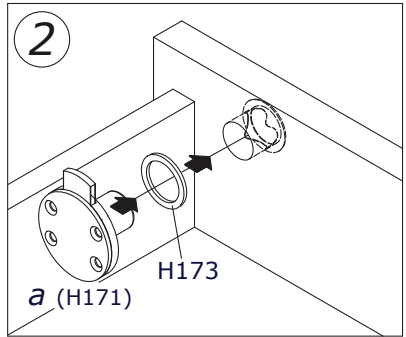
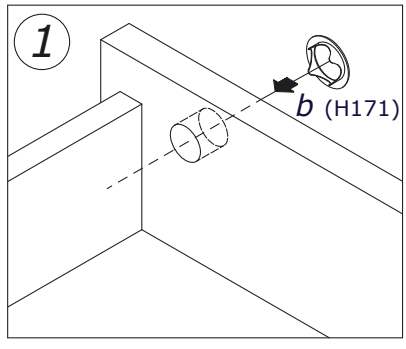
2



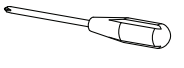
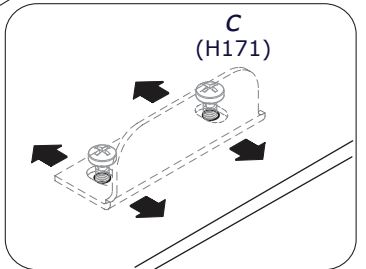
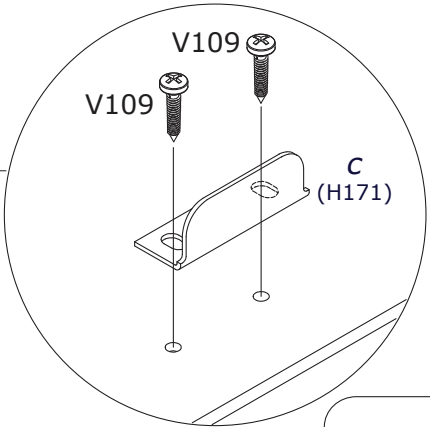
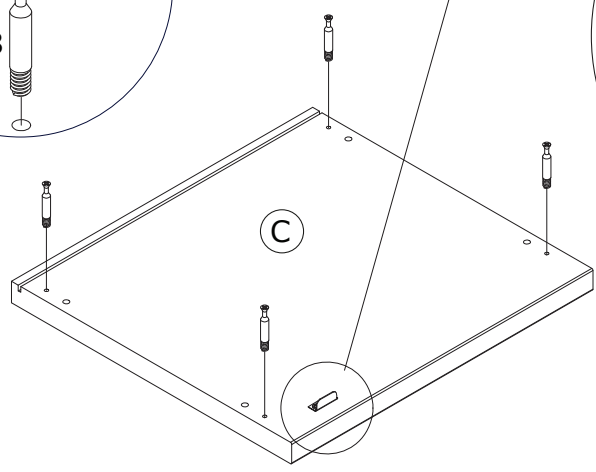
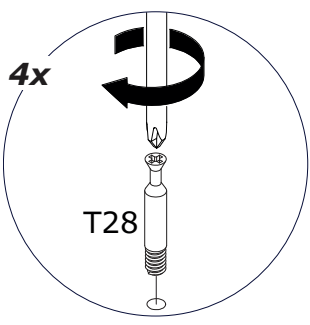
3



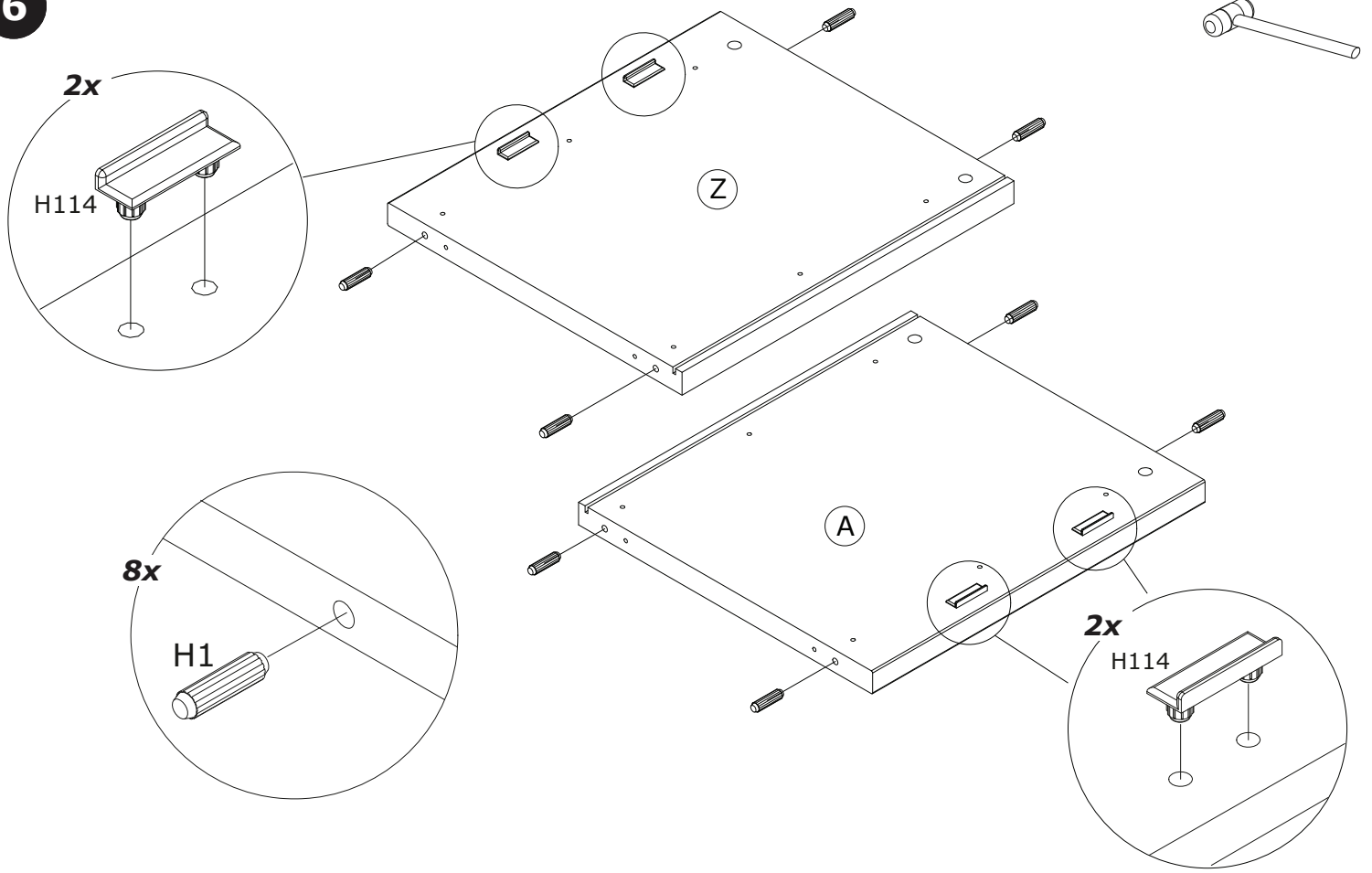
4



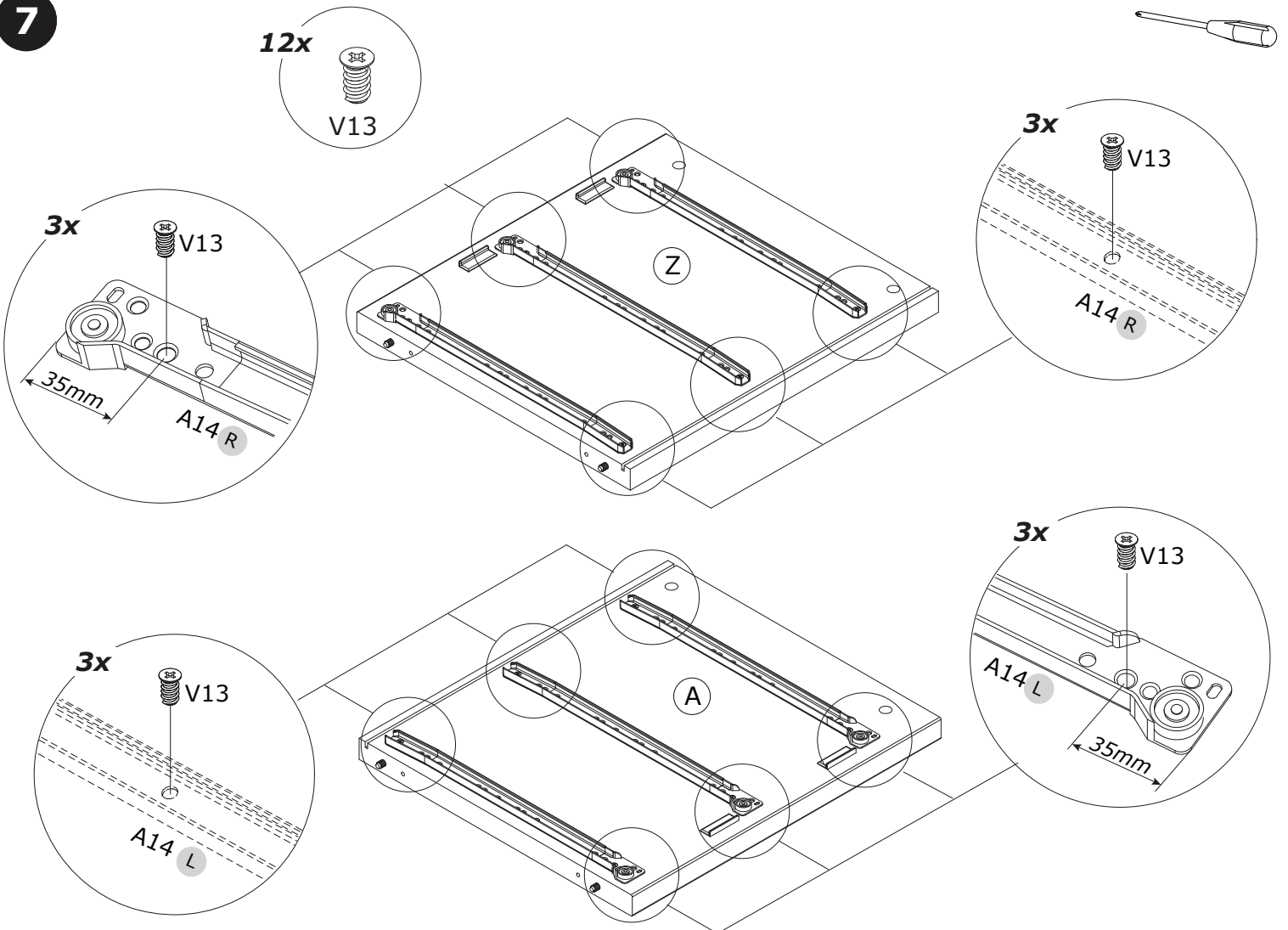
5



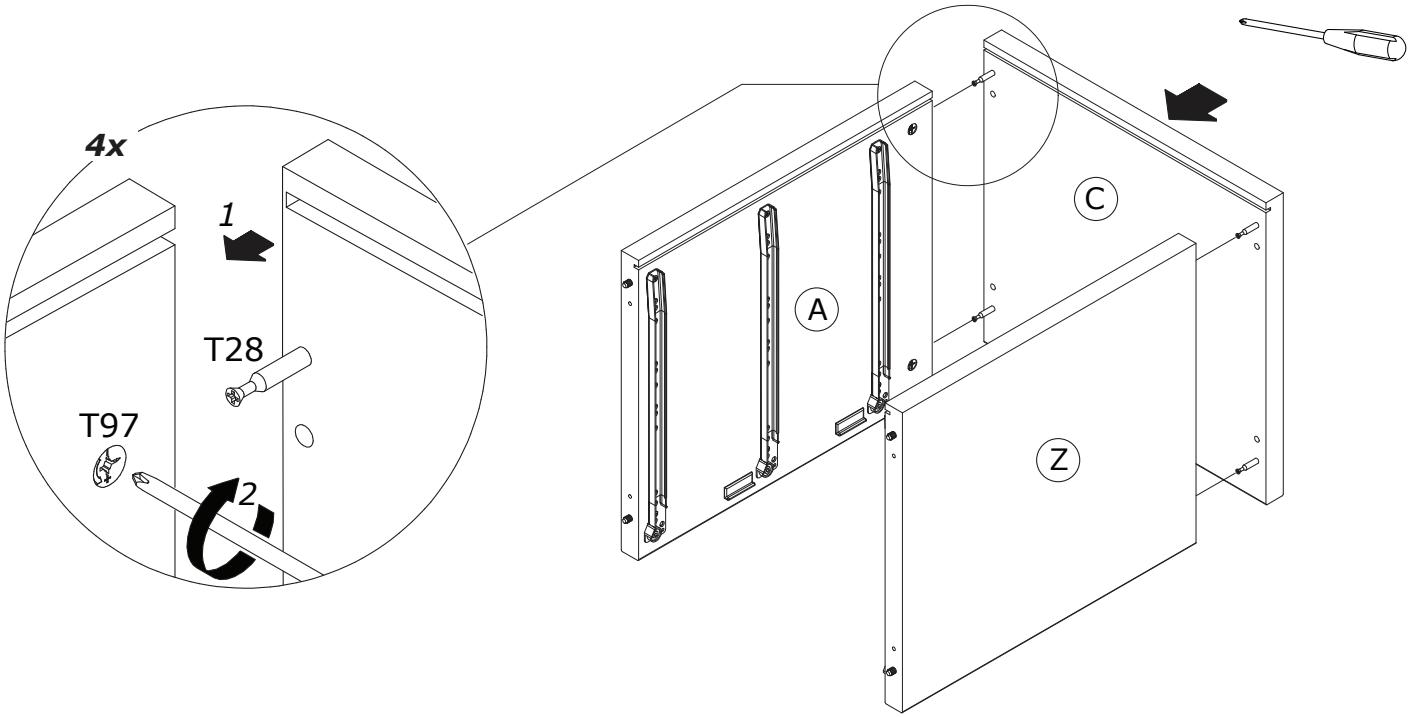
6



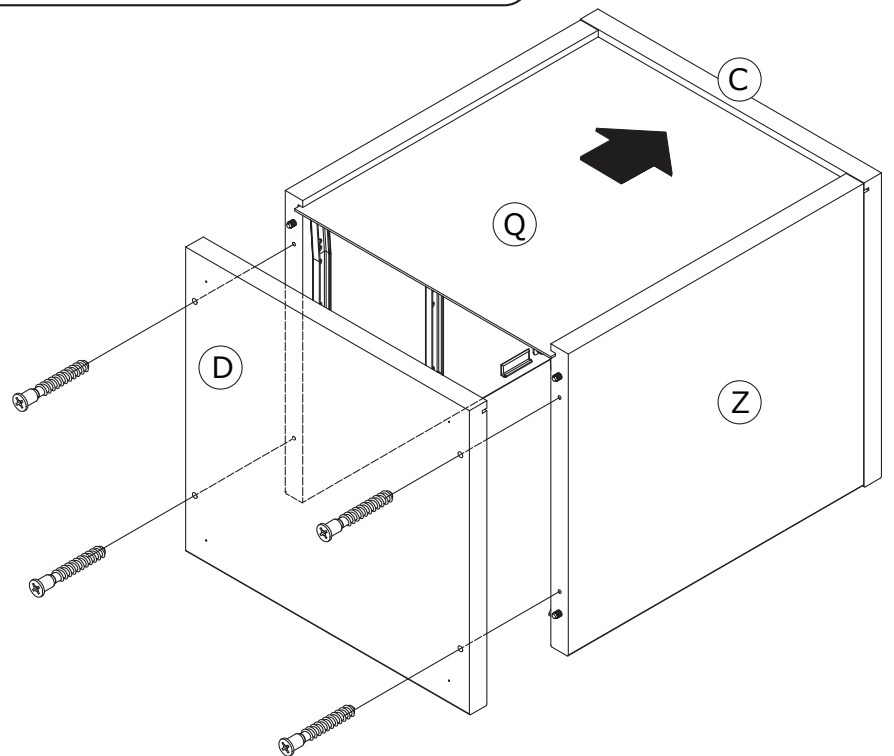
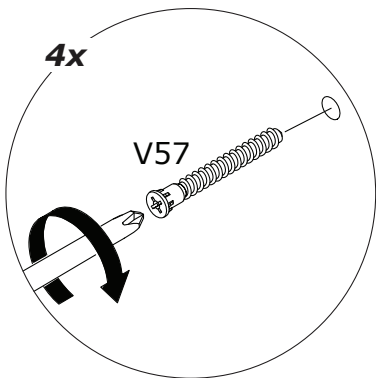
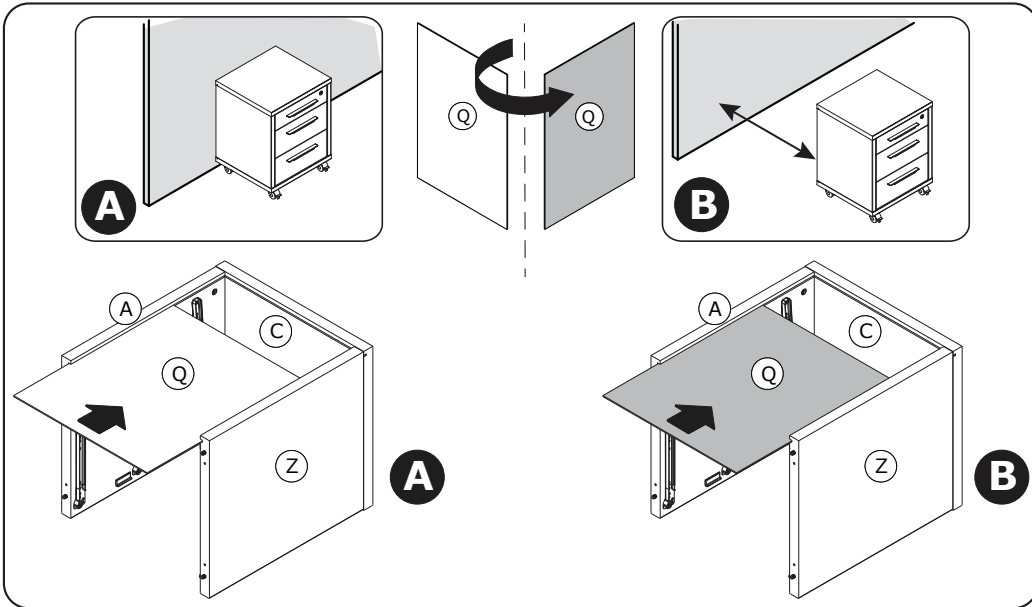
7



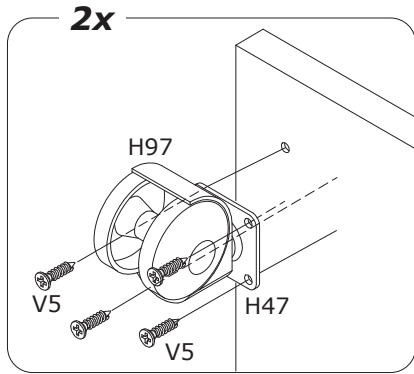
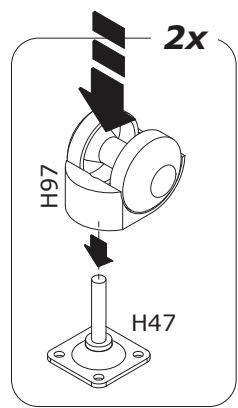
8



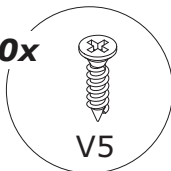
9



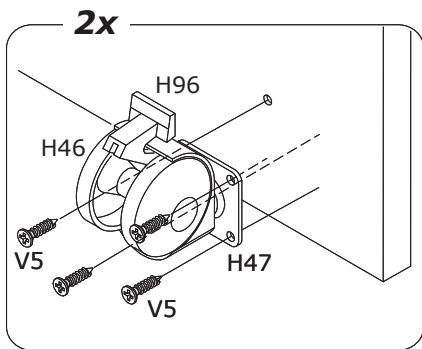
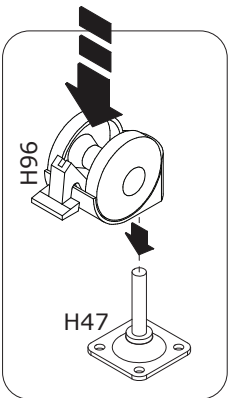
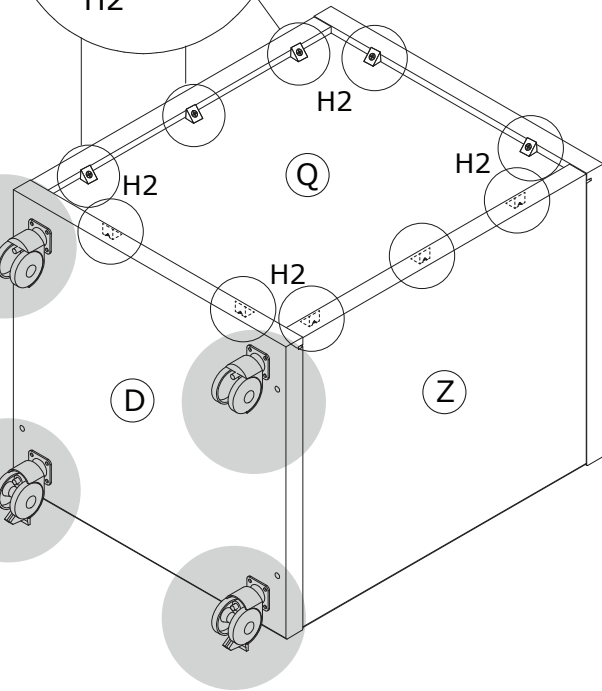
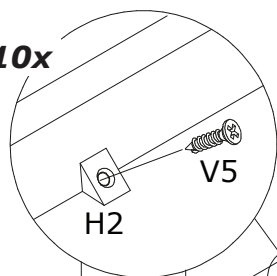
10



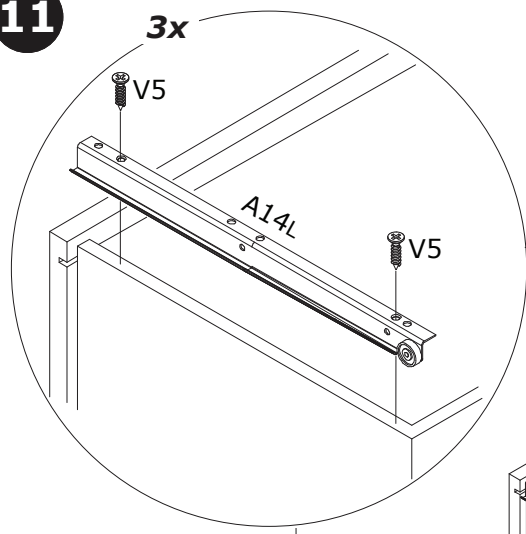
10x



10x



11



12x

