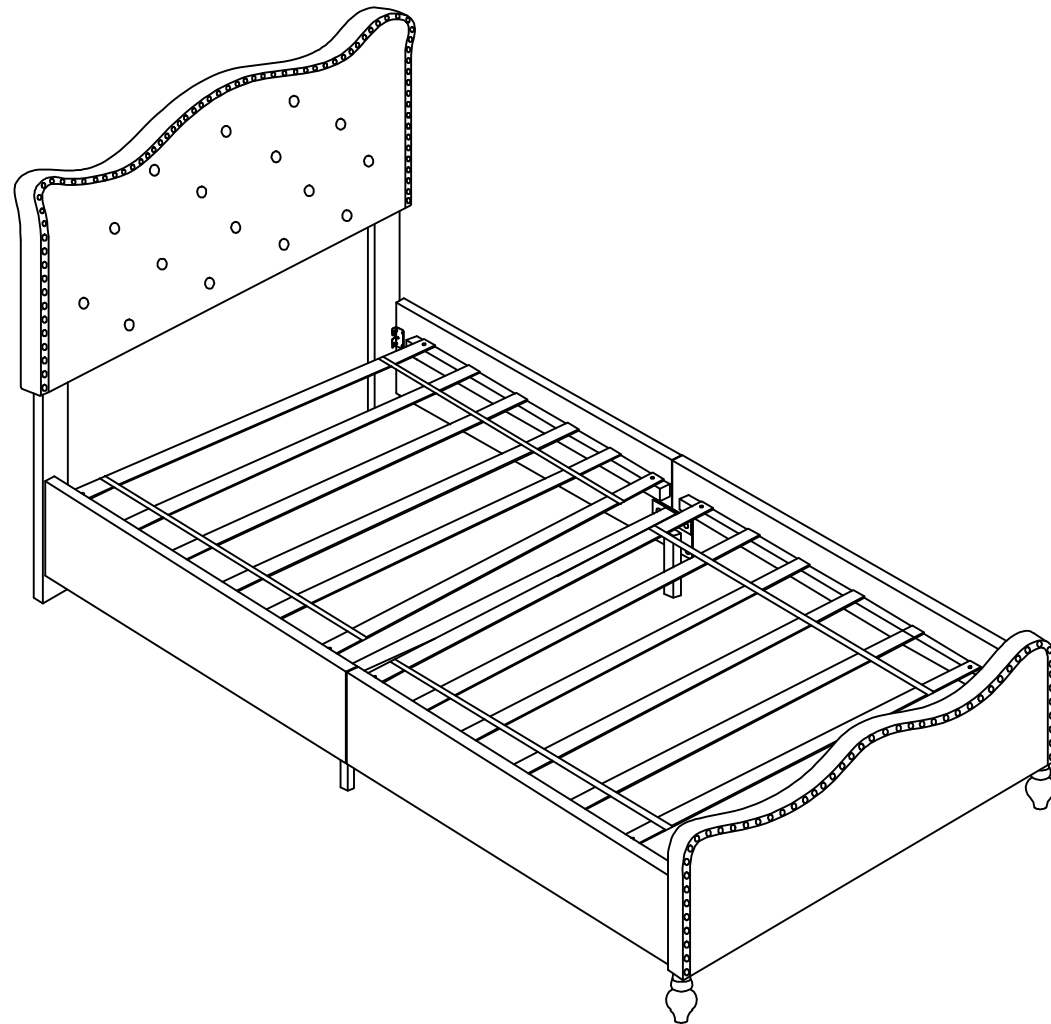
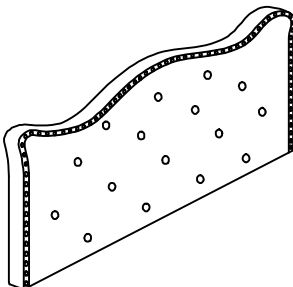

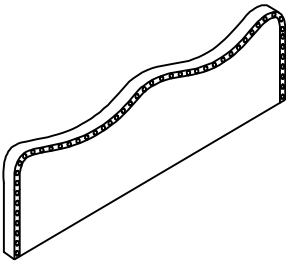
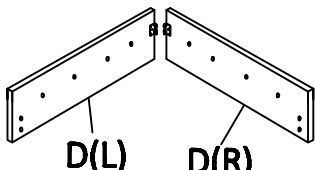
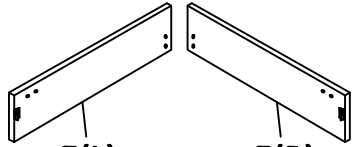
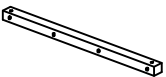
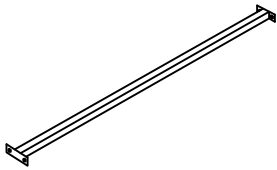

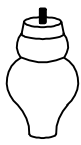
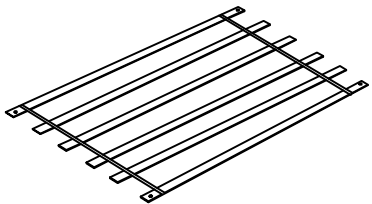


ASSEMBLY INSTRUCTION






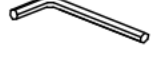


WF312318AAA



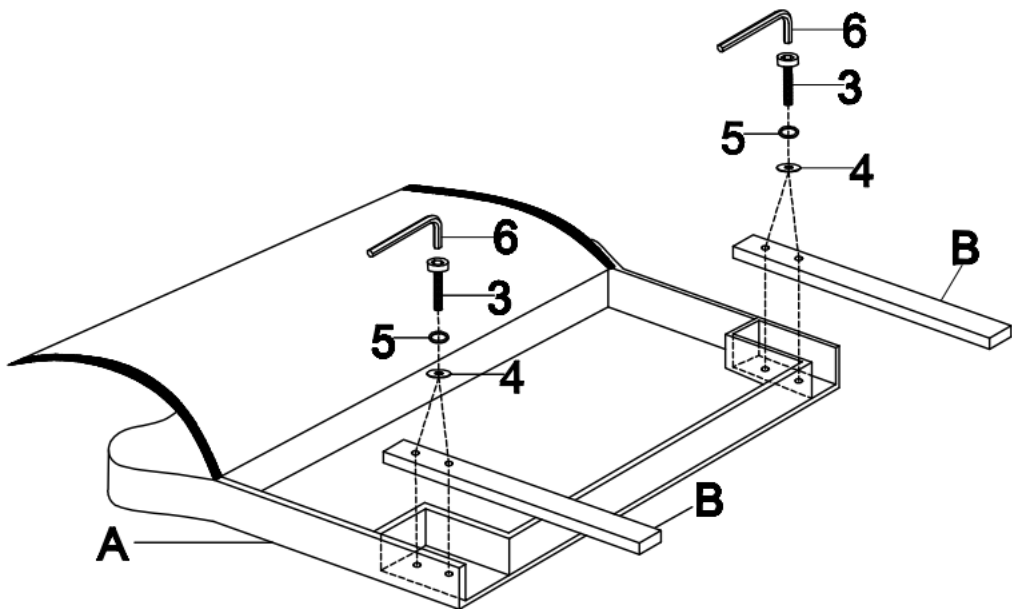
PARTS LIST:WF312318AAA

<p>A</p>  <p>Headboard 1pc</p>	<p>B</p>  <p>Leg 2pcs</p>	<p>C</p>  <p>Footboard 1pc</p>	<p>D</p>  <p>Said Rail 1pair</p>	<p>E</p>  <p>Said Rail 1pair</p>
<p>F</p>  <p>Support the wooden square 4pcs</p>	<p>G</p>  <p>Reinforced Pipe 1pc</p>	<p>H</p>  <p>Said Rail Support Leg 2pcs</p>	<p>I</p>  <p>Leg 2pcs</p>	<p>J</p>  <p>Slat 2 sets</p>

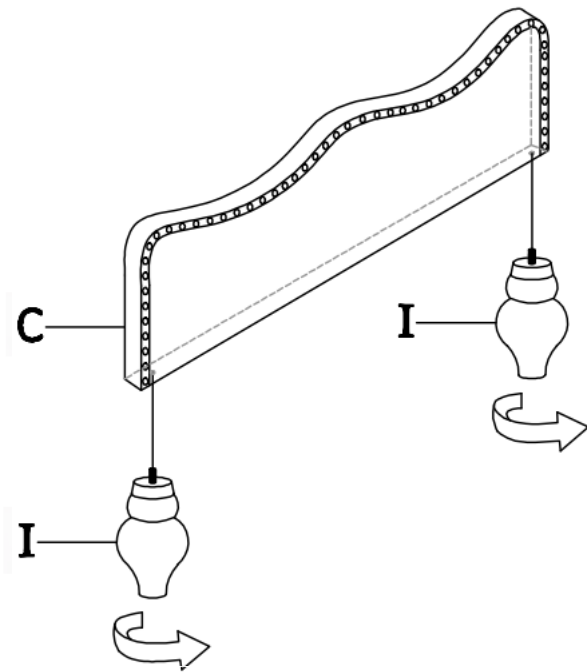
HARDWARE LIST:WF312318AAA

1:Bolt 16pcs  M8*20mm	2:Bolt 16pcs  M8*40mm	3:Bolt 4pcs  M8*50mm	4:Flat Washer 36pcs  Ø19mm	5:Spring Washer 36pcs  M8*1.2mm
6:Allen Key 1pc 	7:Phillips head screws 8pcs 	8:Philips 1pc 		

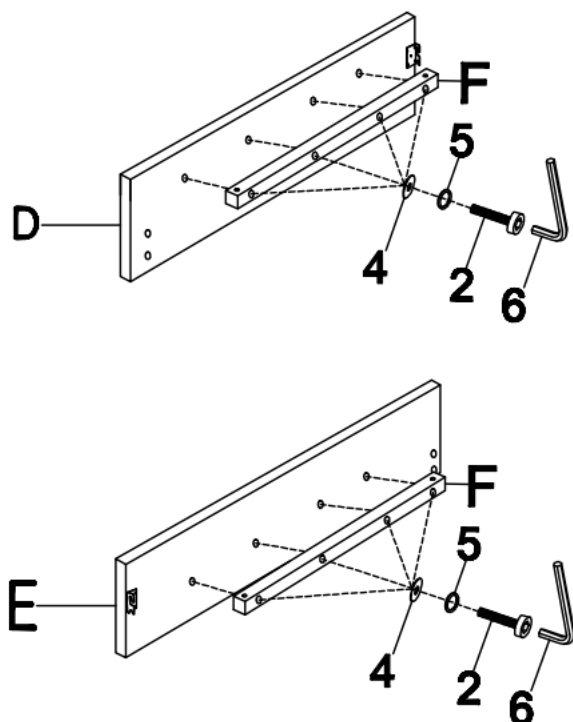
1:



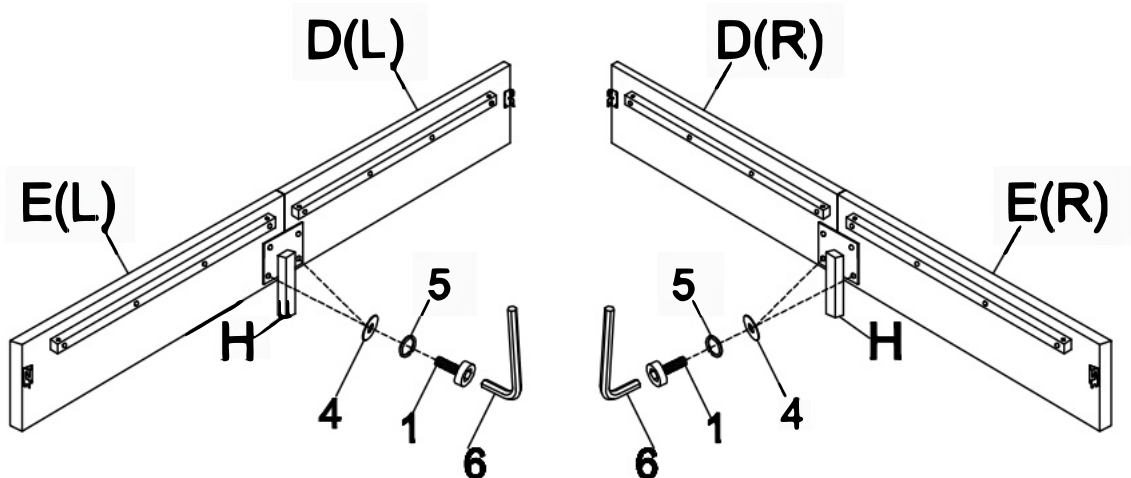
2:



3:



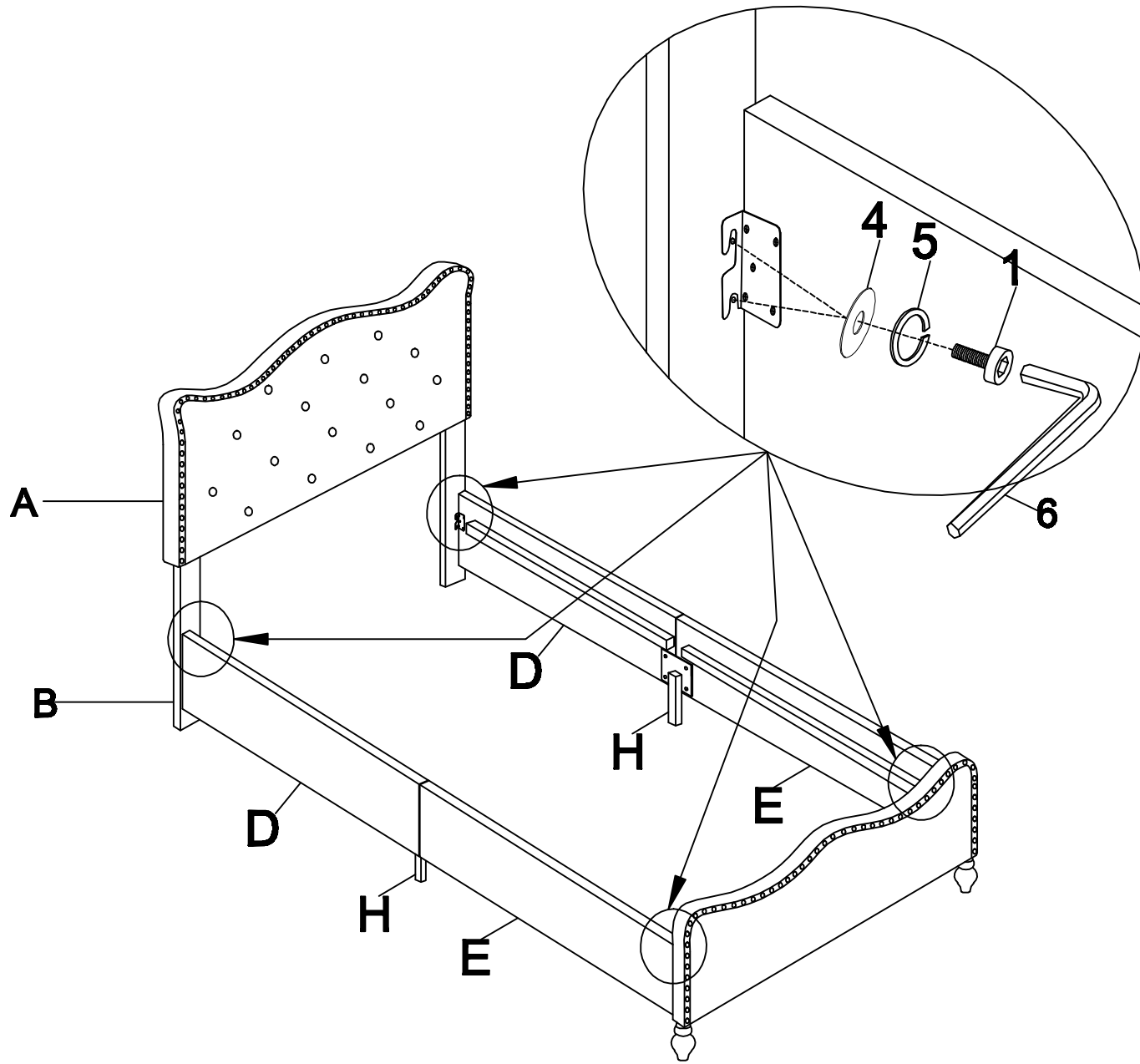
4:



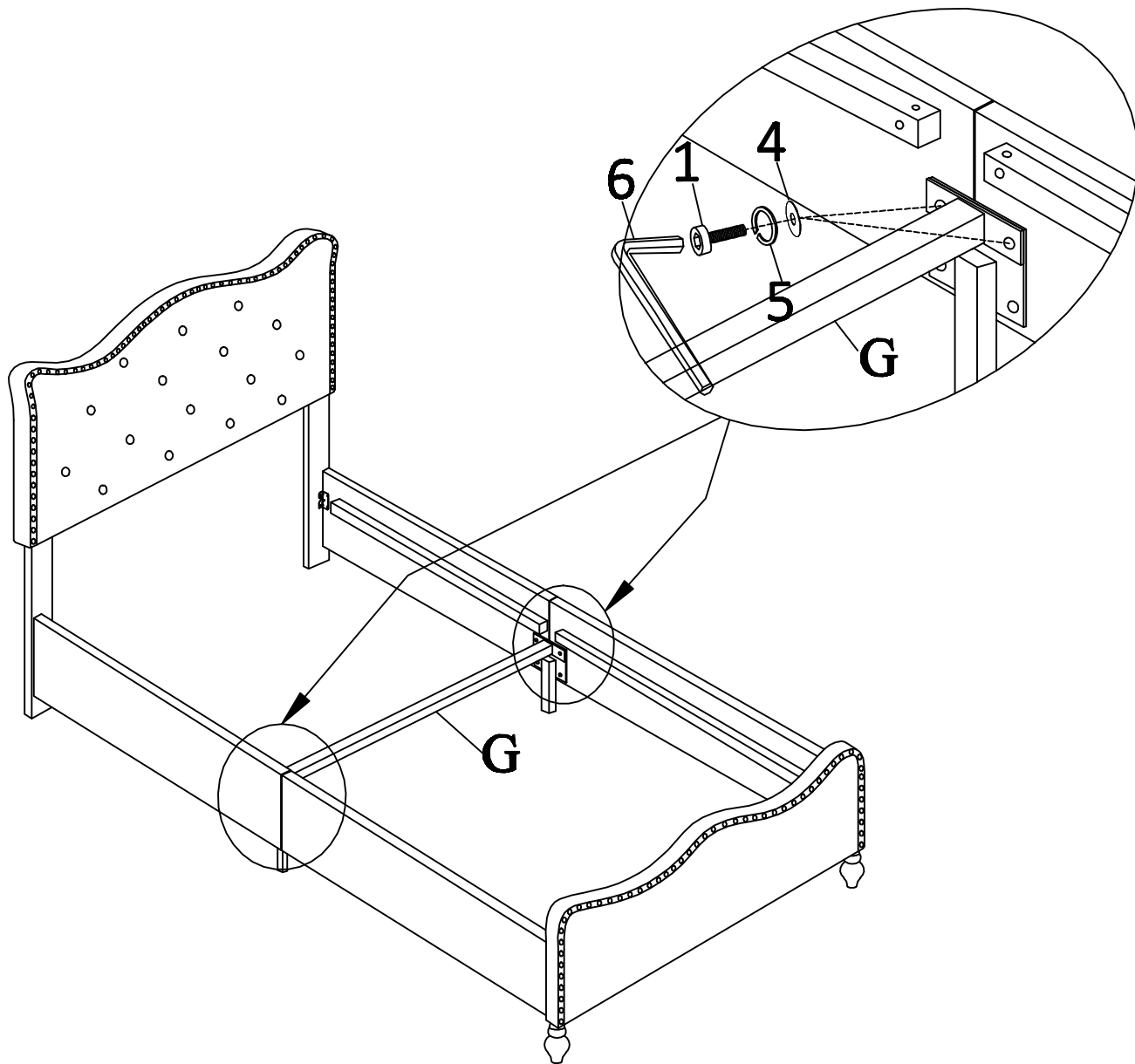
Please make sure that just lock two bolts during this step.

Stellen Sie sicher, dass bei diesem Schritt nur zwei Bolzen verriegelt werden.

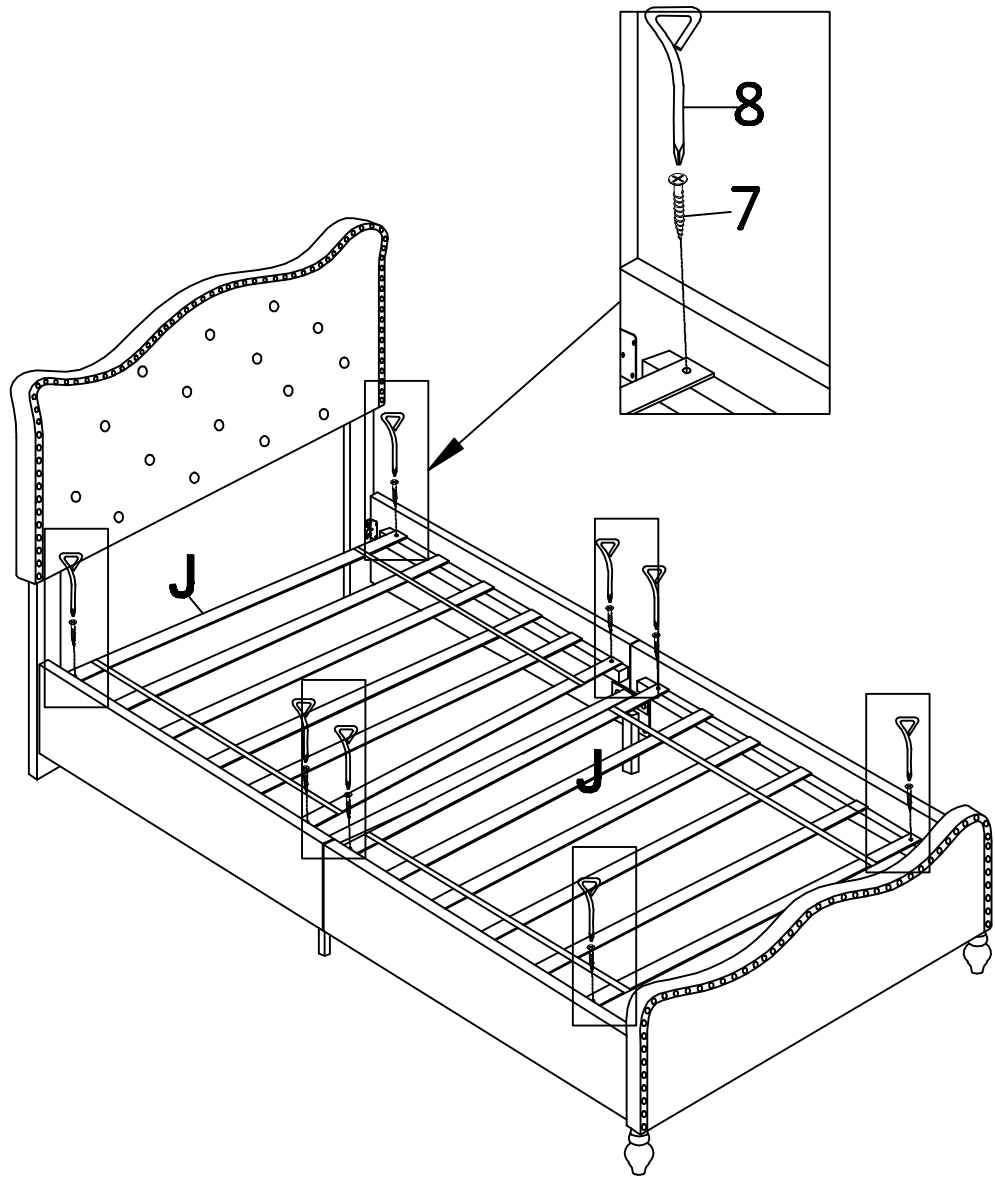
5:



6:



7:



8:

