



pvb.com

# PVB Microinverter

BYM800 Wi-Fi



Normal Output Power	800VA	Normal AC Frequency	50/60Hz
Max. Input DC Voltage	80V	Normal AC Voltage	220/230/240V
MPPT Range DC Voltage	20-80V	Max. AC Output Current	3.6A
MPPT Range AC Voltage	0-400V	Overload Capacity	AC-FC
Max. Input Short-Circuit Current	15A/15.5A/17A	Output Power Factor	>0.99(Max)
Max. DC Current	25A/27.5A/30A	Operating Ambient Temp.	-40 ~ +70°C
Peak Conversion Efficiency	96.5%	Type of Enclosure	IP67

ZHEJIANG BENYI NEW ENERGY CO., LTD.  
 ZHEJIANG BENYI NEW ENERGY CO., LTD.  
 CHANGJIANG RD, WENZHOU DAQIAO INDUSTRY PARK, BEIBAIXIANG TOWN, YUEQING, WENZHOU CITY, ZHEJIANG PROVINCE, CHINA  
 325100  
 www.pvb.com

## ZHEJIANG BENYI NEW ENERGY CO.,LTD.

CHANGJIANG RD, WENZHOU DAQIAO INDUSTRY PARK, BEIBAIXIANG TOWN, YUEQING, WENZHOU CITY, ZHEJIANG PROVINCE, CHINA  
TEL: +86-577-5717 7008 FAX: +86-577-5717 7007

✉ benyi@zjbeny.com

🌐 www.pvb.com

♻️ This catalogue has been printed on ecological paper.

© Zhejiang Benyi New Energy Co., Ltd. All rights reserved.

⚠️ If the models and specifications in this product catalogue change due to product updates, we will not provide prior notification.

Importer:xxx

Address:xxx



VERSION: 20240508-01



Type Approved  
Safety  
Regular Production  
Surveillance

www.tuv.com  
ID 1111278316

## Use and Installation Manual

www.pvb.com

ZBENY

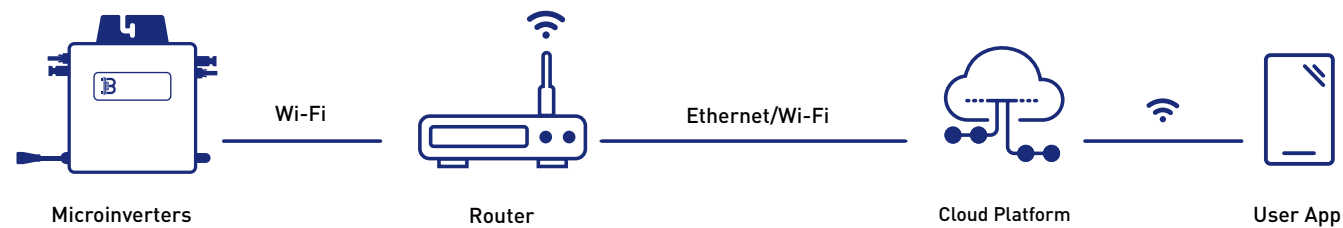
## BENY microinverter system description

The system consists of a set of microinverters and other connected accessories.

Microinverters convert direct current (DC) from photovoltaic modules into alternating current (AC) and feed it into the public grid. Each microinverter works independently to ensure that each photovoltaic module generates maximum power. This setup enables users to directly control the power generation of individual PV modules, thereby increasing the flexibility and reliability of the system.

The monitoring equipment monitors the working status of each microinverter and photovoltaic module in the power station, and transmits power generation data and other information to the cloud monitoring platform or local server, so that users can understand and query the working status of the power station.

BENY microinverters can choose to monitor power generation through Wi-Fi, support real-time, daily, monthly, and annual production assessment data query, support module-level problem detection, and facilitate maintenance.



## Manual

This manual contains important instructions for BENY microinverter.

Must be read in its entirety before installing or commissioning the equipment.

For safety, only qualified technician, who has received training or has demonstrated skills can install and maintain this microinverter under the guide of this document.

Professional and technical personnel must pay attention to the following points:

- ① Professional technicians must undergo professional installation training.
- ② Completely read this manual and be proficient in operation-related safety matters.
- ③ Familiar with the relevant safety regulations of the electrical system.

## Table of contents

<b>1. Security information</b>	<b>01</b>
1.1 Safety instructions	01
1.2 Symbol	01
<b>2. Microinverter product information</b>	<b>02</b>
2.1 BYM800 technical specifications	02
2.2 Wi-Fi communication	03
2.3 Microinverter system coding instructions	03
<b>3. Microinverter system installation</b>	<b>04</b>
3.1 Installation Notes	04
3.2 Accessories List	05
3.3 Installation tool for BENY microinverter	07
3.4 Installation Step	08
Step1 Install the BENY microinverter on the bracket	09
Step2 Assemble the AC Trunk	10
Step3 Connect the AC End Cable to the AC Trunk	10
Step4 Connect the other end of the AC End Cable to the LC Filter	11
Step5 Connect the solar modules	11
Step6 Complete the installation diagram of BENY microinverter system.	12
Step7 Start operating the BENY microinverter PV system	13
Step8 Download BENY Microinverter monitoring APP to check the working status of the microinverters.	13
<b>4. Troubleshooting</b>	<b>14</b>
4.1 Troubleshooting microinverter indicator light abnormalities	14
4.2 Platform troubleshooting	14
4.3 On-site inspection-professionals	16
4.4 Microinverter product replacement process	17

<b>5. Microinverter maintenance</b>	<b>17</b>
<b>6. Microinverter storage</b>	<b>18</b>
<b>7. Warranty</b>	<b>18</b>







## 1. Security information

### 1.1 Safety instructions

Microinverters are designed and tested in strict accordance with relevant safety standards of various countries. At the same time, for electronic equipment, its installation, debugging, operation and maintenance must comply with relevant safety regulations.

In order to ensure the safe installation and operation of the microinverter and reduce the risk of electric shock, this manual uses safety symbols to indicate some danger instructions and safety precautions. Precautions during specific operations will also be explained in detail in the corresponding chapters.

### 1.2 Symbol

Symbol	Usage
	<b>Treatment</b> To comply with European Directive 2002/96/EC on waste Electrical and Electronic Equipment and its implementation as national law, electrical equipment that has reached the end of its life must be collected separately and returned to an approved recycling facility. Any device no longer required must be returned to an authorized dealer or approved collection and recycling facility.
	<b>Caution</b> Do not come within 8 inches [20cm] of the microinverter for any length of time while it is in operation.
	<b>Danger of high voltages</b> Danger to life due to high voltage in the microinverter.
	<b>Beware of hot surface</b> The inverter can become hot during operation. Avoid contact with metal surfaces during operation.
	<b>CE mark</b> The inverter complies with the requirements of the low voltage directive for the European Union.
	<b>Read manual first</b> Please read the installation manual first before installation, operation and maintenance.

## 2. Microinverter product information

### 2.1 BYM800 technical specifications

Input Data (DC)	
Model	BYM800
Recommended input power(Single)	(STC) 600~900+ Wp , 60 ~75-cell/120~150 half-cell
Recommended input power(Dual)	(STC) (350~600 Wp)*2, 72~75-cell/144~150 half-cell (NMOT) Vmp>32V and Imp<=15A
MPPT voltage range	24V~50V
Operating voltage range	16V~60V
Maximum input voltage	60V
Max. short circuit current	30A*1/20A*2
Max. input current	26A*1/13A*2
Output Data(AC)	
Rated output power	800VA
Maximum output power	800VA (Vac>=230, Vmp>=35)
Rated voltage(range)	230V(176V~265V)
Rated frequency(range)	50Hz/60Hz (46.5Hz~62Hz)
Maximum continuous output current	3.64A
Maximum harmonic distortion	<4%
Power factor	>0.99 (Default)
Maximum connection number in one string (40A circuit breaker, 10AWG cable)	10 units
Efficiency	
Peak efficiency	96.5%
MPPT efficiency	>99.8%
Night power consumption	<100mW
Other Parameters	
Communication method	Wi-Fi
Safety protection	Class I
Enclosure rating	IP67
Operating temperature	-40°C to +70°C
Storage temperature	-40°C to +85°C
Relative humidity	0-98%
Transformer design	High frequency transformer, Electrical isolated
Overvoltage class	OVC III (AC), OVC II (PV)

Warranty period	12 / 25years (Optional)
Dimensions(L*W*H mm)	268.5*215*40
Weight(kg)	3.6
Safety regulations	IEC/EN 61000-6, CISPR11+A1+A2, IEC/EN 62109-1/2, EN 50549-1:2019 VDE-AR-N 4105:2018/DIN VDE 0124:2020, AS 4777.2 :2020, INMETRO, UTE C15-712-1/DIN VDE 0126/VFR 2019, G98, CEI 0-21:2020, NC RFG, NTS DAKKS .

The BENY microinverter can be directly connected to the single-phase grid, or it can be connected to the three-phase grid by connecting multiple units on the three single-phase grids. Contact customer service support to check compatibility.

## 2.2 Wi-Fi communication

Using the Wi-Fi microinverter, the built-in gateway avoids complicated wiring methods, making the connection simple and fast, and convenient to operate. The Wi-Fi communication frequency band is 2.4G, and the radius is up to 100 meters. The communication range is wide, the speed is fast. The microinverter that uses Wi-Fi communication can be configured by the mobile phone APP of BENY microinverter.

## 2.3 Microinverter system coding instructions

- Microinverter adopts the double-code rule that UID and CID coexist, where the UID number is the product serial number SN.
  - UID is the complete code of the product, which is the unique ID when it leaves the factory, and contains a total of 16 hexadecimal numbers (0~F).
  - The lower 8 digits of UID are CID, which is the abbreviated representation of the product code used in monitoring and communication.
- The SN of the microinverter monitoring gateway is an 8-digit CID number.
- The SNs of other products in the microinverter family are all 8-digit CID numbers.

X    X X X    X X X X  
 S<sub>7</sub>    S<sub>6</sub> S<sub>5</sub> S<sub>4</sub>    S<sub>3</sub> S<sub>2</sub> S<sub>1</sub> S<sub>0</sub>

Example: 9 0 0 0 0 0 0 1 monitoring gateway  
 1 0 0 1 0 0 1 1 single-in microinverter

S7: Equipment type are defined as:

- A,B,C,: Refers to single, dual, quad-in microinverters with Wi-Fi communication mode respectively
- 5: Paralleling Optimizer(BYPO-2)
- 7: ToolKit
- 9: Monitoring gateway(EMU)

## 3. Microinverter system installation

### 3.1 Installation Notes

- The grid voltage at the public connection point must comply with the AC voltage level on the microinverter label.
- PV module electrical parameters must comply with the DC input range on the microinverter label.
- The solar modules and brackets for installing and using the microinverter must be connected to a reliable ground.
- When a ground fault occurs, the equipment is at risk of electric shock. It is strongly recommended to install surge protection devices in the power distribution cabinet.
- Ensure that the environmental conditions meet the requirements of the microinverter (protection level, temperature, humidity, altitude, etc.)
- Installation must be carried out when the equipment is disconnected from the power grid (turn off the mains isolation switch) or when the photovoltaic modules are blocked or isolated.
- Do not expose the microinverter housing to direct sunlight. It can be installed under the photovoltaic module to ensure its normal operation in a cool or shaded environment. Failure to meet this condition may trigger microinverter output derating.

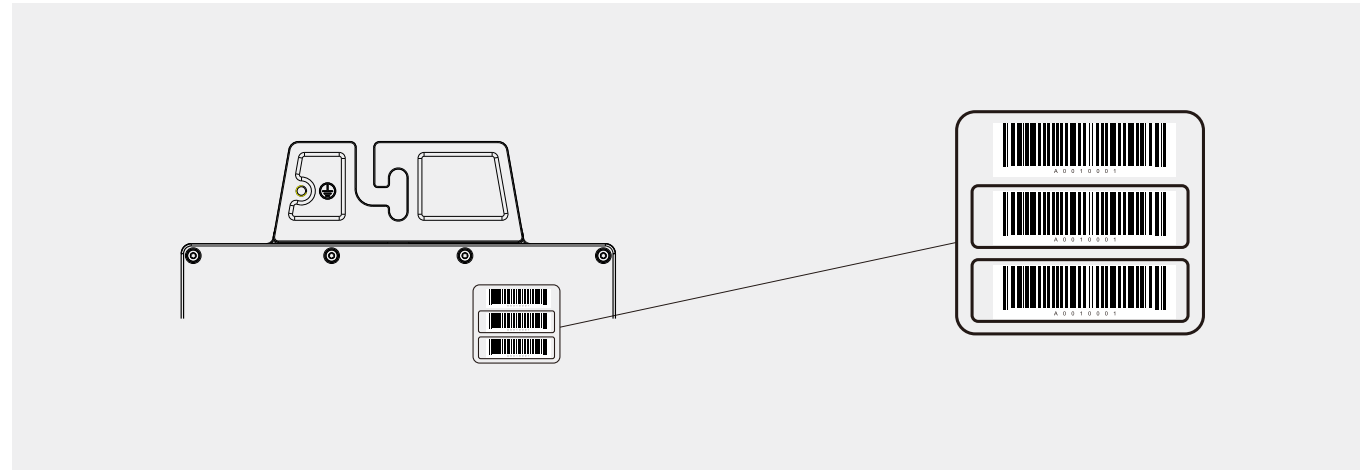


- To avoid overheating, always ensure that the airflow around the microinverter is not blocked and keep it as high as possible greater than 30mm from any obstructing plane (roof, ground, etc.).
- Do not install where gas or flammable substances may be present.



- Can only be installed on metal structures specifically designed for photovoltaic modules (provided by the installation technician).

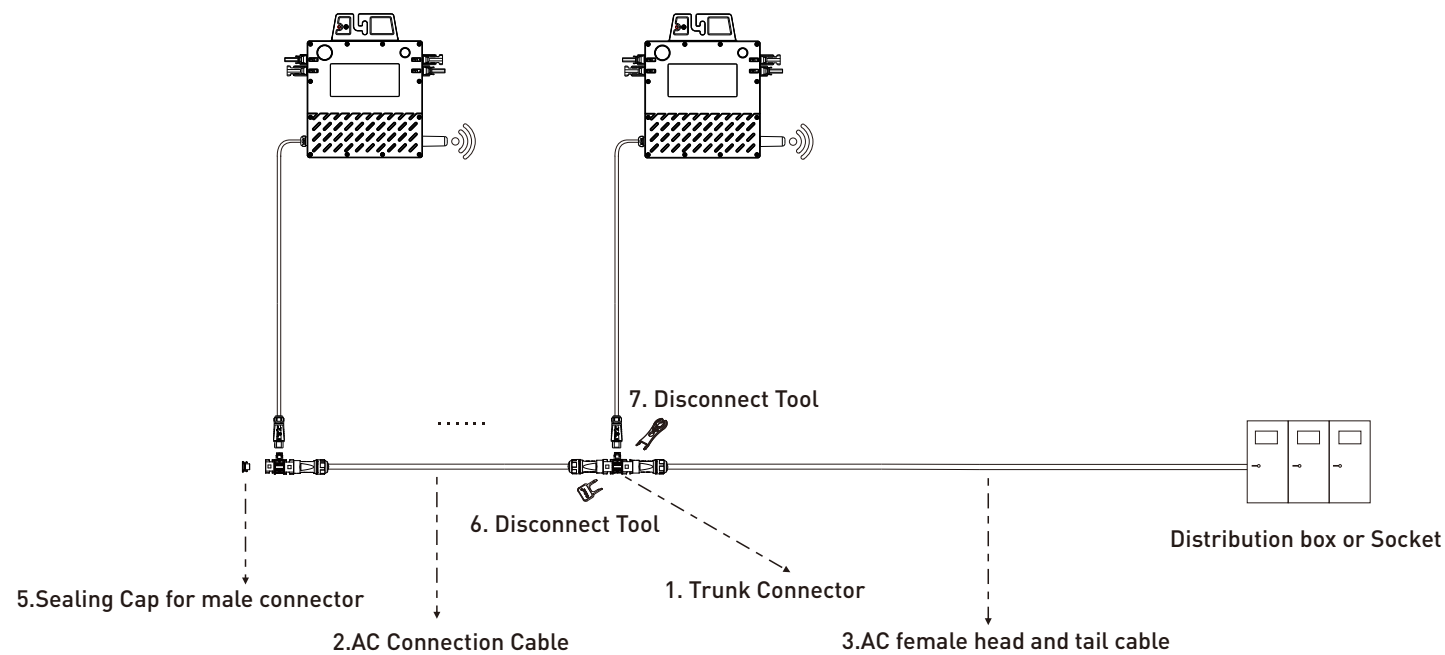
11. Each BENY microinverter has two detachable serial number labels on the casing, and devices can be added later by scanning the QR code through the APP. If it is inconvenient to tear off the barcode after installation, please tear off the barcode in advance and paste it in an easily accessible place.



### 3.2 Accessories List

**NOTE:** The following accessories and wiring methods are standard wiring methods (quick connection type). If purchasing self-wiring method, please refer to the "Self-Wiring Guide" separately.

#### System diagram



Accessories Details			
NO.	Name	Remark	Photo
1	Trunk Connector	Connect the microinverter's AC output to the AC Trunk	
2	AC Connection Cable	Make a customized AC Trunk by utilizing Trunk Connectors and Extension Connectors	
3	AC female head and tail cable	For connecting a microinverter to a distribution box (Applicable only to one unit)	
4	Sealing Cap for Female connector	Cover unused connection ports on the Trunk	
5	Sealing Cap for male connector	Cover unused connection ports on the Trunk	
6	Disconnect Tool	Disassemble connectors on the AC Trunk	
7	Disconnect Tool	Disassemble the connection between the AC side of the microinverter and the Trunk Connector	
8	DC Y type MC4 set	Used for parallel connection of two photovoltaic modules, one positive and one negative	
9	DC extension cable	Used when the length of the PV module DC cable are not enough, one positive and one negative	
10	DC Connector Cap	To protect unused DC ports of microinverters	



### 3.3 Installation tool for BENY microinverter

1. Please refer to "3.2 Accessories List" based on your order information to check whether the accessories in the box are complete and check whether the product appearance is intact. If any parts are lost or damaged during transportation, please contact the carrier immediately. If the microinverter product itself is damaged, please contact your supplier or authorized dealer for repair/return and request instructions on the process.

2. In addition to solar array modules and supporting tools, customers need to prepare:



Gloves



Cable Tie



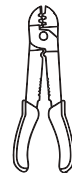
Diagonal Cutter



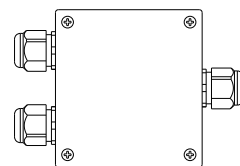
Wire Stripper



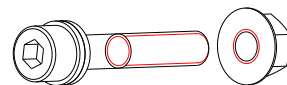
Torque Wrench



Crimping Tool



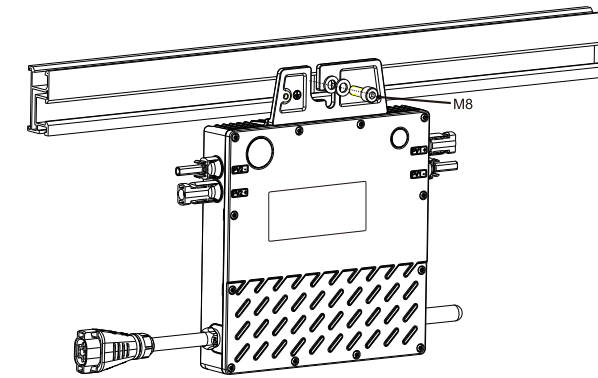
Outdoor waterproof junction box



Inverter mounting kit(screws, nuts)

NOTE: BENY solar microinverters are easy to be installed. Each microinverter can simply be mounted on a rack directly below the module. module-side low-voltage DC connectors can be directly connected to the microinverter, eliminating the danger of high-voltage DC voltages.

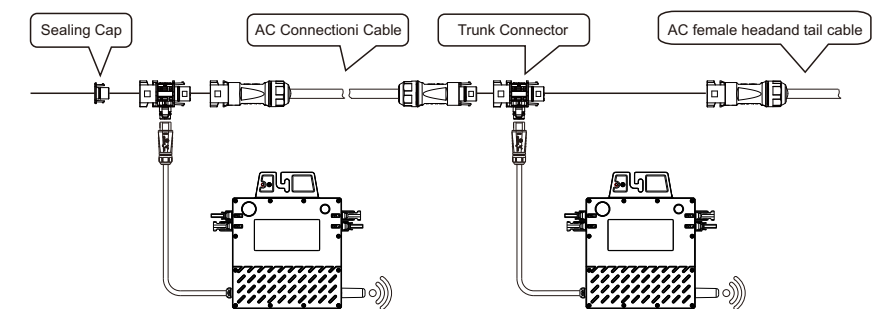
### Step 1 Install the BENY microinverter on the bracket



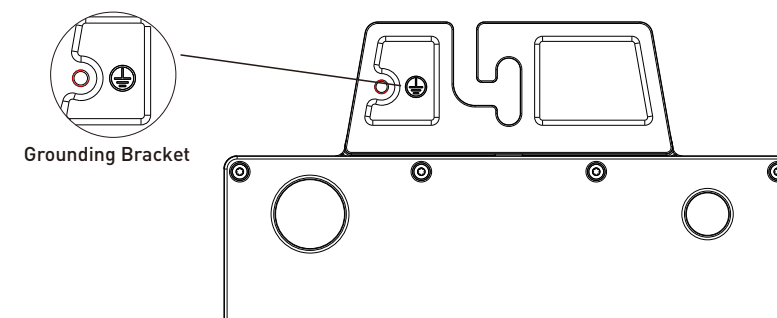
During fixation, the surface of the metal support should be closely fitted to the installation surface of the microinverter and the contact area should be maximized to ensure the thermal conductivity effect.

### Step 2 Assemble the AC Trunk

This part gives a step-by-step guide for assembling the AC Trunk, which consists of the Sealing Cap, Connection Cable, and Trunk Connector as shown below.

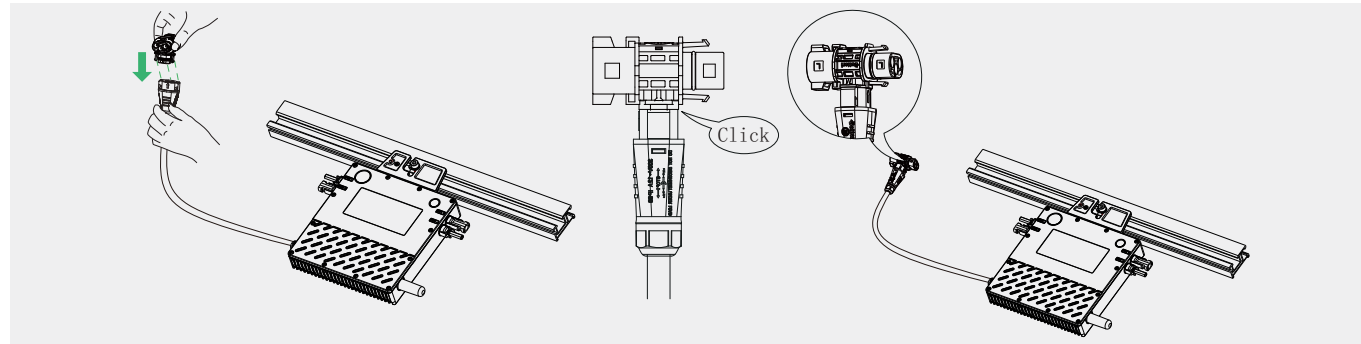


NOTE: There is a ground wire in the AC cable, which can be directly connected to the ground. For areas with special requirements, customers can complete external grounding through grounding brackets. The ground wire can be connected to AC ground through the ground bracket of each microinverter according to local regulations.

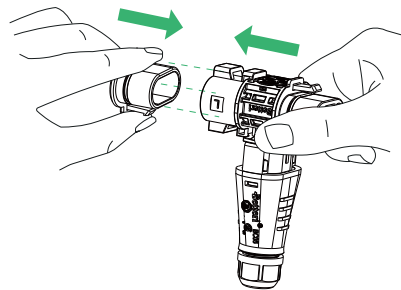


**Step 2.1**

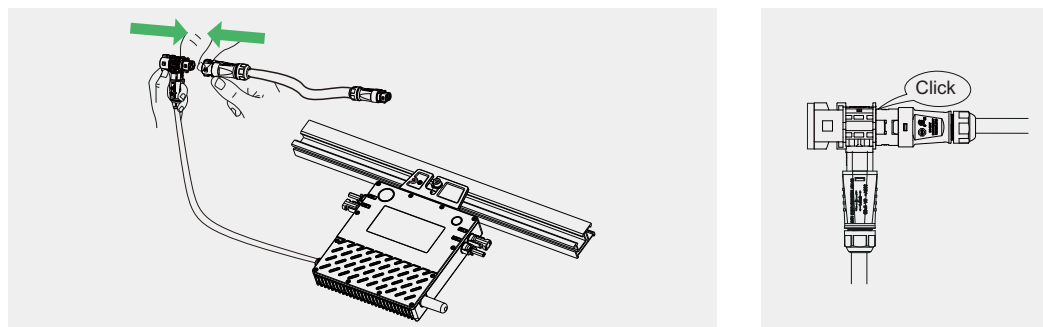
Connect the Trunk Connector to the microinverter. Listen for a click as the connectors engage.


**Step 2.2**

Cover the unused port on the Trunk Connector (located at the beginning of the AC Trunk) with SealingCap. Listen for a click as the sealing cap engages.


**Step 2.3**

Use the Connection Cable to connect the adjacent Trunk Connectors. Listen for a click as they engage.


**NOTE:**

If your microinverters are installed too far apart, Beny provides two solutions.

(1) use a longer Connection Cable.



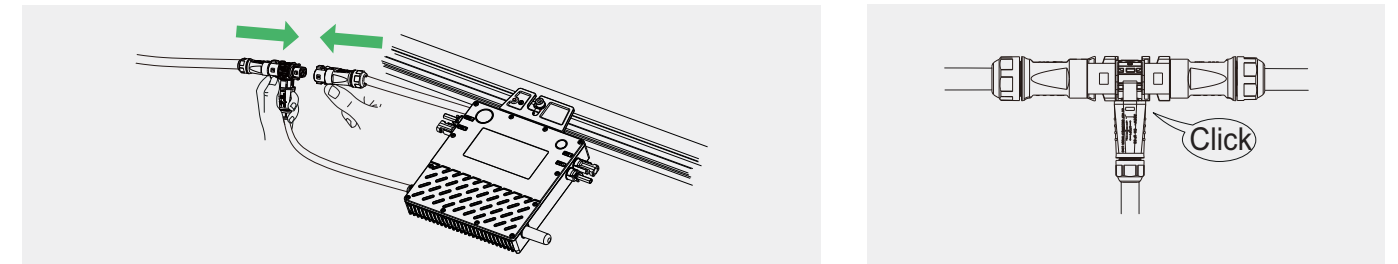
(2) Two connecting cables are used together.



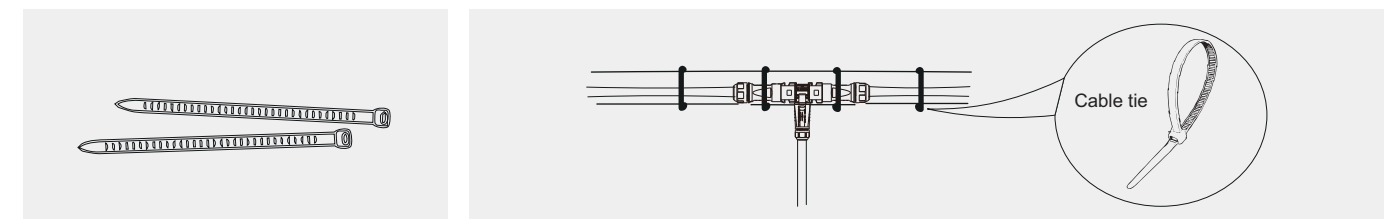
cable lengths: 1.1 m/2.0 m/2.3 m/ 4.6 m/Contact BENY for customization

**Step 3 Connect the AC End Cable to the AC Trunk**
**Step 3.1**

Connect the AC End Cable to the last Connector in a series of cables. Listen for a click as they engage.

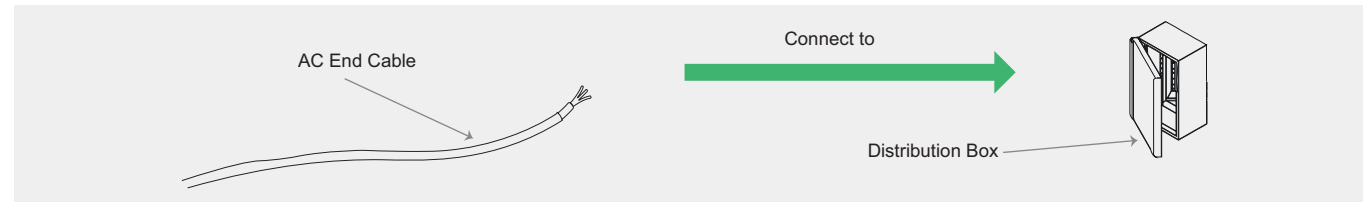

**Step 3.2**

Use the cable ties to attach all cables to the raking.



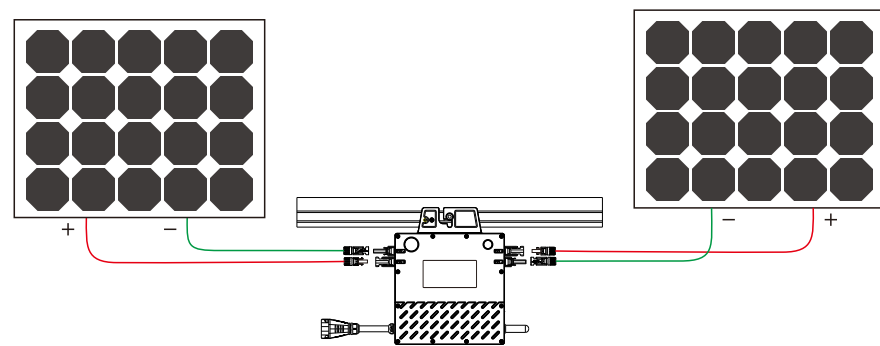


**Step 4 Connect the other end of the AC End Cable to the LC Filter**



**Step 5 Connect the solar modules**

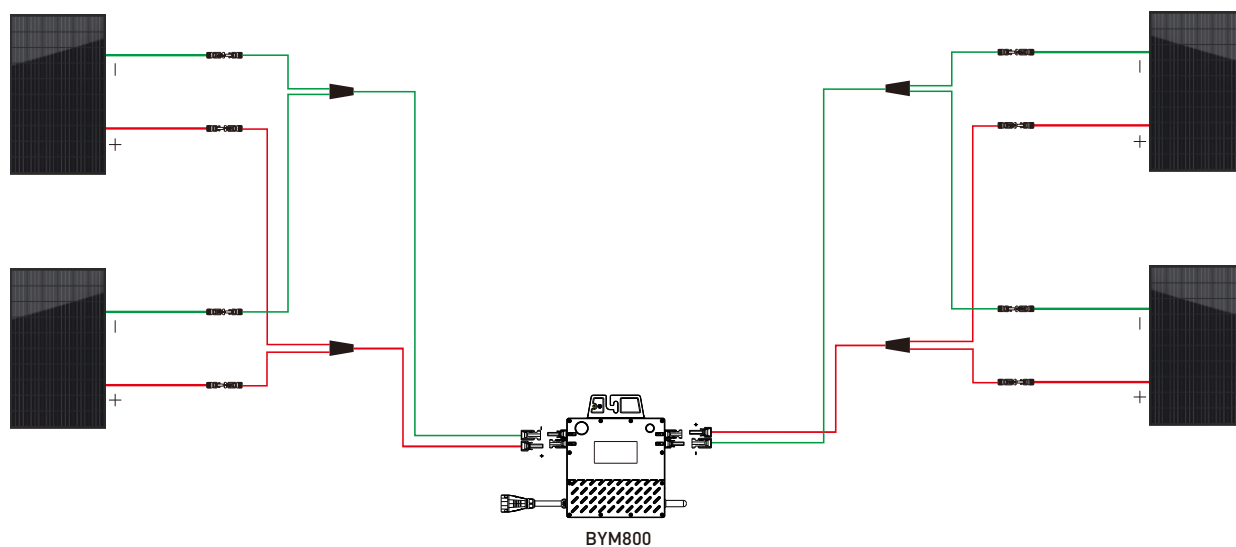
Connect each BYM800 to the PV modules.



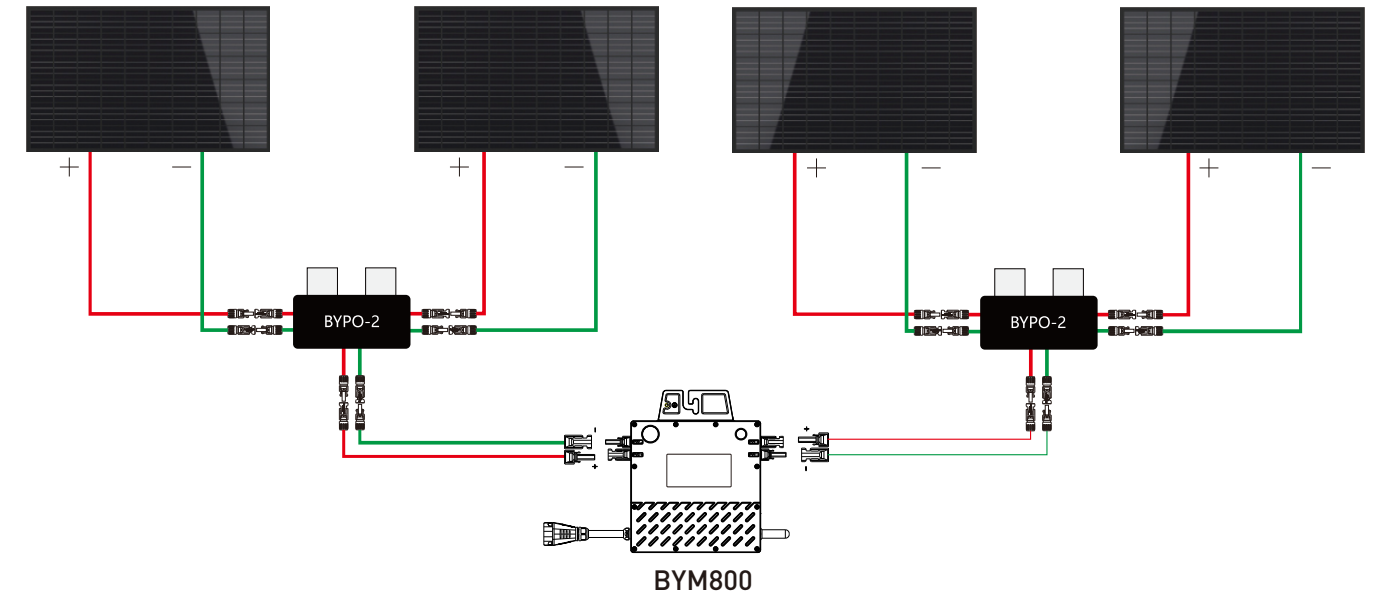
**NOTE:**

1. The series open circuit voltage of the components cannot be greater than 60V
2. The same components can be connected in parallel using Y type MC4 set, and different components can only be connected in parallel using the Paralleling Optimizer.

**Applications for Y type Mc4 set**



**Application of Paralleling Optimizer**



**Step 6 Complete the installation diagram of BENY microinverter system.**

The installation diagram of Microinverter system refers to the schematic diagram of the physical location of each microinverter in the solar system. Customers can use the blank diagram in the appendix of this manual to record the installation position of the microinverter in their own system, or they can draw the system installation diagram yourself.

Paste the two tear-off serial numbers on the corresponding positions of the BENY system installation diagram and the frame of the solar module respectively for easy viewing and subsequent APP scanning to quickly add corresponding equipment.

### Step7 Start operating the BENY microinverter PV system

Close the AC main circuit breaker connecting the microinverter system.  
 Close the on-grid main circuit breaker, and the system will generate electricity in about 1 minute.  
 Always pay attention to the flashing status of the indicator light. When the microinverter is connected to the solar module and the DC side is powered on for the first time, the indicator light will flash red and green at the same time.

Red LED light	Green LED light	Status
Short red-Light blinks	Blinks 1 time	Start up
Not bright	Continuously flashes in an 8S cycle, flashes every second, lights up for 0.5S, and goes off for 0.5S	Normal operation status

NOTE:Once the microinverter is powered on correctly, until it starts to work normally, the start-up time will vary slightly according to the regulations of different regions.

### Step 8 Download BENY Microinverter monitoring APP to check the working status of the microinverters.

1.Please search for "BYM Cloud" in the Apple App Store (IOS) or Google Store (Android), or scan the following QR code to download Beny Microinverter monitoring APP.



2.How to add equipment and configure the network for the microinverter. For details, please refer to "BYM Cloud Operation Video".

## 4.Troubleshooting

**WARNING** Ensure that the DC side and AC side are properly connected

### 4.1 Troubleshooting microinverter indicator light abnormalities

Red LED light	Green LED light	Status
Continuously flashing	Not bright	Disconnect DC input power for 10 seconds, Reconnect and check if it is back to normal after 5 minutes.
Not bright	Not bright	1.DC side reconnect. 2.Measure the output voltage of the PV module to see if it is within the working range of the microinverter. 3.Detect DC input and AC input to see if it's a microinverter or a PV module issue.

### 4.2 Platform troubleshooting

Alert Reason	Solutions and Recommendations
PV overvoltage	Please ensure that the open circuit voltage of the photovoltaic module is less than or equal to the maximum input voltage of the microinverter, disconnect the DC side, and measure whether the voltage of the module meets the requirements.
PV undervoltage	Check the status of the photovoltaic modules (whether there is dust, fallen leaves, and clean them in time), check whether the specifications of the photovoltaic modules match the microinverter, and whether the connections are reliable.
DC/DC overvoltage	Check whether the voltage parameters of the machine are normal through BYM Cloud, you can disconnect the DC power supply and restart the microinverter.
DC/DC overcurrent	Check whether the corresponding parameters of the machine are normal through BYM Cloud, and you can disconnect the DC power supply and restart the microinverter.
DC/DC overtemperature	Please check the temperature of the microinverter through BYM Cloud, or use a thermometer to measure the microinverter temperature to see if the microinverter temperature is too high. If the temperature is too high, it is normal to issue an alarm. The microinverter can be disconnected for a period of time until it cools down, and then the microinverter can be allowed to work.

Inverter island	Check whether the AC side is well connected and whether the power grid is normal. If the power grid is normal, restart the microinverter and check whether the microinverter is working normally. If the power grid is not normal at this time, please wait until the power grid becomes normal and the microinverter will resume work.
Remote poweroff enabled	1. Check whether the temporary power is set to 0 during microinverter control; or whether the microinverter is under zero-feed network control and whether there is any electrical load. 2. The microinverter is in the off state, just turn it on; or please disconnect the DC power supply and let the microinverter restart.
Low Insulation Res	Check whether the microinverter is immersed in water or accumulates water and the grounding condition of the microinverter and photovoltaic modules.
Sync signal error	Please disconnect the DC power supply and allow the microinverter to restart, and then check whether the microinverter is normal.
Safety chain error	Please disconnect the DC power supply and let the microinverter restart. Repeat this several times to see if the microinverter is normal.
Grid overvoltage	1. In the event of an unexpected alarm, the grid voltage may be temporarily abnormal. The microinverter will automatically recover after the grid voltage returns to normal. 2. If alarms occur frequently, please check whether the grid voltage is within the range that the microinverter can withstand. If not, please change the grid overvoltage protection limit through the BENY remote monitoring system after obtaining the consent of the local power operator.
Grid undervoltage	1. In the event of an unexpected alarm, the grid voltage may be temporarily abnormal. The microinverter will automatically recover after the grid voltage returns to normal. 2. If alarms occur frequently, please check whether the grid voltage is within the range that the microinverter can withstand. If not, please change the grid undervoltage protection limit through the BENY remote monitoring system after obtaining the consent of the local power operator.
Grid overfrequency	1. If an unexpected alarm occurs, the grid frequency may be temporarily abnormal. The microinverter will automatically recover after the grid frequency returns to normal. 2. If alarms occur frequently, please check whether the grid frequency is within the acceptable range of the microinverter. If not, please change the grid overfrequency protection limit through the BENY remote monitoring system after obtaining the consent of the local power operator.
Grid underfrequency	1. If an unexpected alarm occurs, the grid frequency may be temporarily abnormal. The microinverter will automatically recover after the grid frequency returns to normal. 2. If alarms occur frequently, please check whether the grid frequency is within the acceptable range of the microinverter. If not, please change the grid underfrequency protection limit through the BENY remote monitoring system after obtaining the consent of the local power operator.

Phase lock error	Please make sure that the power supply of the photovoltaic module is normal. If it is normal, please disconnect the DC power supply and let the microinverter restart. Repeat this several times to see if the microinverter is normal.
Grid Surge	In the event of an unexpected alarm, the power grid may be temporarily abnormal. The microinverter will automatically recover after the grid surge disappears.
SEC MCU undervoltage	Check whether the power supply is normal through BYM Cloud. If it is normal, please disconnect the DC power supply and let the microinverter restart. Repeat this several times to see if the microinverter is normal.
H bridge overcurrent	Check whether the power supply is normal through BYM Cloud. If it is normal, please disconnect the DC power supply and let the microinverter restart. Repeat this several times to see if the microinverter is normal.
Grid frequency out of range	Check the grid frequency sampling through BYM Cloud to check whether the grid frequency reaches the frequency recovery interval.
Grid voltage out of range	Check the grid voltage sampling through BYM Cloud to check whether the grid frequency reaches the frequency recovery interval.

If the fault still cannot be solved according to the above methods, please contact your dealer or BENY after-sales service center.

### 4.3 On-site inspection-professionals

Verify that the utility voltage and frequency are within the ranges shown in the technical data of this microinverter.

Check the connection to the grid. When the inverter is still working, Disconnect the AC side first, then the DC side.

Check AC branch circuit interconnections between all microinverters. Verify that each microinverter is powered by the utility grid.

Verify that the AC circuit breaker is functional and closed.

Check the connection between the microinverter and the DC side of the solar module.

Verify that the PV module DC voltage is within the allowable range shown in the technical data of this manual.

If the fault still cannot be solved according to the above methods, please contact your dealer or BENY after-sales service center.

#### 4.4 Microinverter product replacement process

Follow the steps below to replace a failed BENY microinverter.

Disconnect the BENY microinverter from the solar module in the following order:

- a. Disconnect the circuit breaker on the AC side of the branch circuit.
- b. Disconnect the AC bus from the inverter AC connector.
- c. Disconnect the solar module and microinverter DC connectors.

Install and replace the microinverter on the rack, use a multimeter to measure and make sure there is no current in the DC line between the module and the microinverter when making connections on the DC side of the new machine.

Please ensure that the AC branch circuit breaker is disconnected and strictly follow the microinverter installation steps to install and replace the unit. After the replacement is completed, close the branch circuit breaker and verify the operating status of the replaced microinverter.

Please put the damaged microinverter into its original packaging. If the original packaging cannot be reused, it is recommended to use a cardboard box that can hold 5 kg and can be closed correctly to place the microinverter to be replaced.

### 5. Microinverter maintenance

1. Maintenance operations can only be performed by authorized professionals and professional personal protective equipment must be used.

2. During normal operation, the working environment should be ensured to meet the technical requirements of the microinverter. Make sure these conditions have not changed over time and that the device has not been exposed to harsh weather conditions or covered with foreign objects.

3. When cleaning, do not use rags that contain filamentous materials or that may corrode equipment parts or corrosive products that generate static electricity.

4. Do not attempt to disassemble the microinverter or perform any internal repairs! In order to maintain safety and insulation integrity, the design of the microinverter does not allow for in-house servicing.

5. If the wires are damaged, the equipment should be scrapped if the cables cannot be replaced, and the replaced cables must meet the working specifications of the BENY microinverter.

6. Maintenance operations must be carried out with the equipment disconnected from the grid (if the grid power switch is on) and the PV modules are shaded or isolated.

### 6. Microinverter storage

If the device will not be used immediately or stored for an extended period of time, make sure the product is packaged correctly. The device must be stored indoors in a well-ventilated environment at a storage temperature of  $-40^{\circ}\text{C}$  to  $+85^{\circ}\text{C}$  to avoid potential damage to components.

NOTE: After the device has been out of operation for a long time, perform a thorough check when restarting.

Discarded microinverters are harmful to the environment. Please handle them properly according to local regulations.

### 7. Warranty

In order to ensure the normal service life of the microinverter and reduce the risks during use, maintenance must be performed by professionals using approved safety maintenance tools within the specified time.

• Standard warranty period:

Microinverter — 12 years/ 25 years(optional)

Monitoring Device — 3 years

The valid warranty period starts from the earlier date of the two dates:

(1) 3 months later from the date of delivery of product

(2) The date of complete product installation

• Damage caused by operation failure, natural force majeure, incorrect installation or instructions for use is not covered

• Repair can only be performed by professionals. If any problem occurs during installation or use, contact your dealer first.

• For detailed warranty terms, please refer to "Warranty Provision"