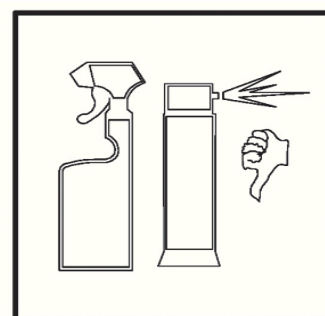
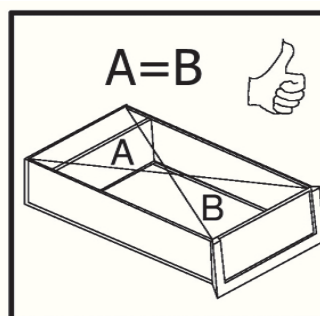
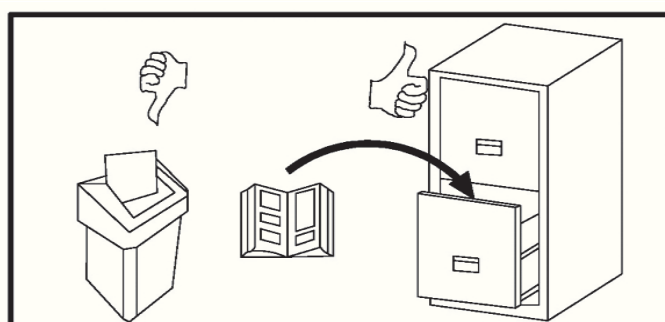
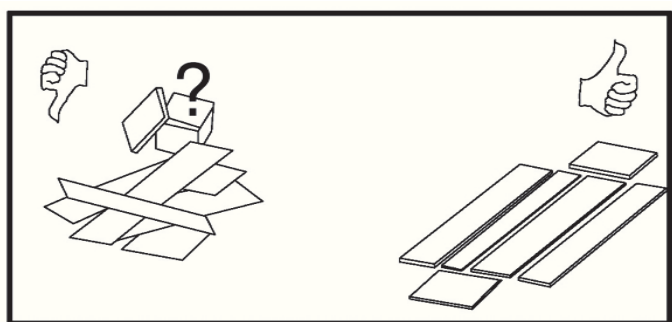
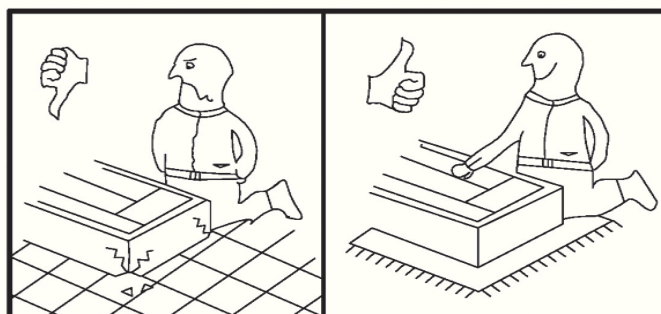
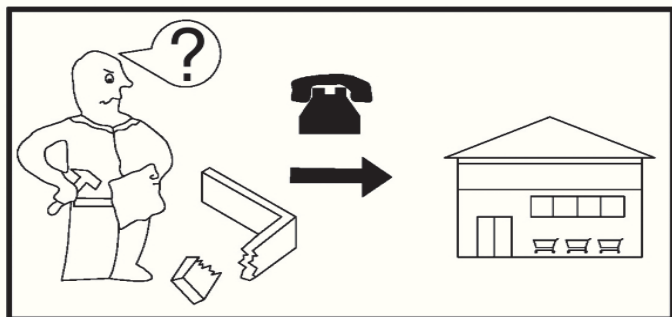
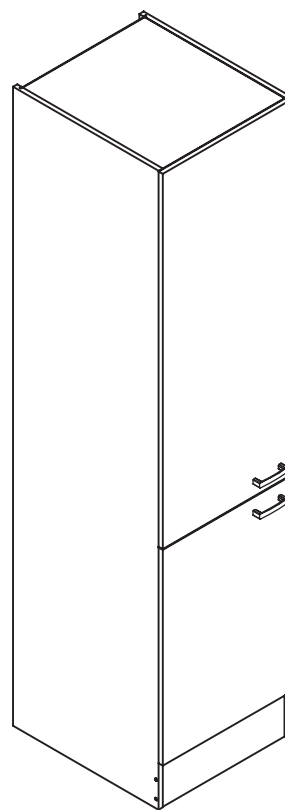
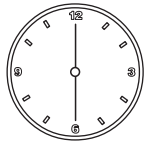
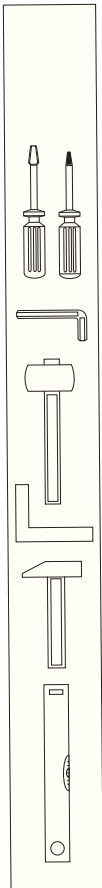
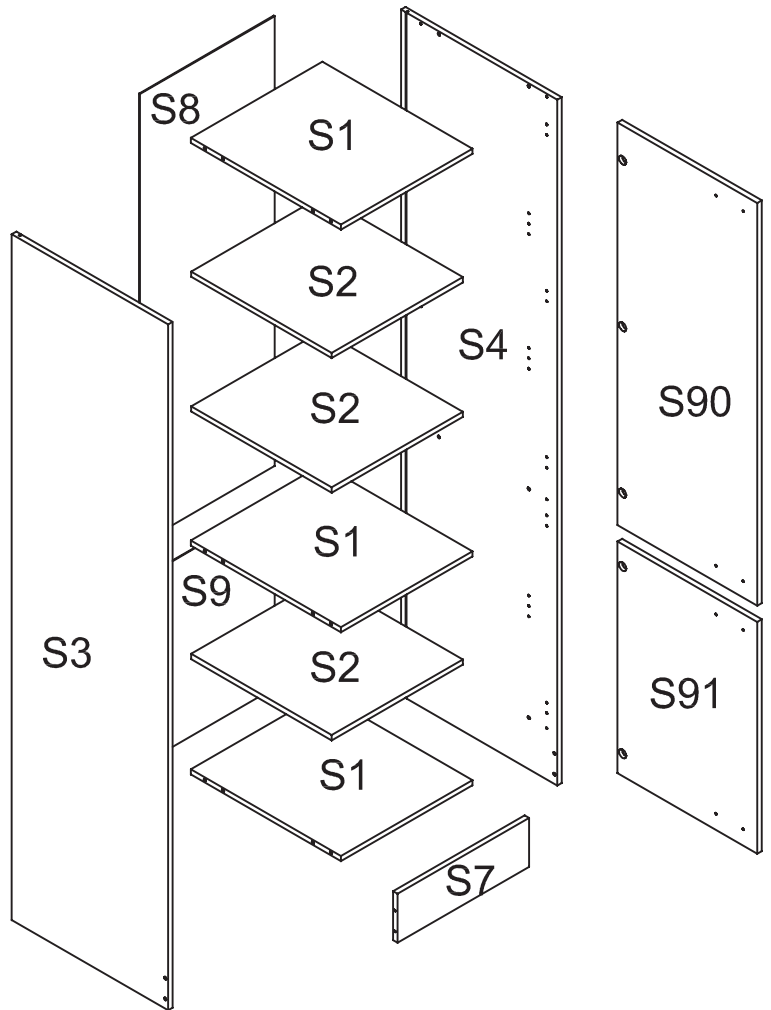


ANDY





1,0h



S1	467mm x 534 mm	3
S2	466mm x 500 mm	3
S3/S4	2110mm x 555 mm	1/1
S7	467mm x 150 mm	1
S8	1246mm x 478 mm	1
S9	712mm x 478 mm	1
S90	1239mm x 496 mm	1
S91	713mm x 496 mm	1

