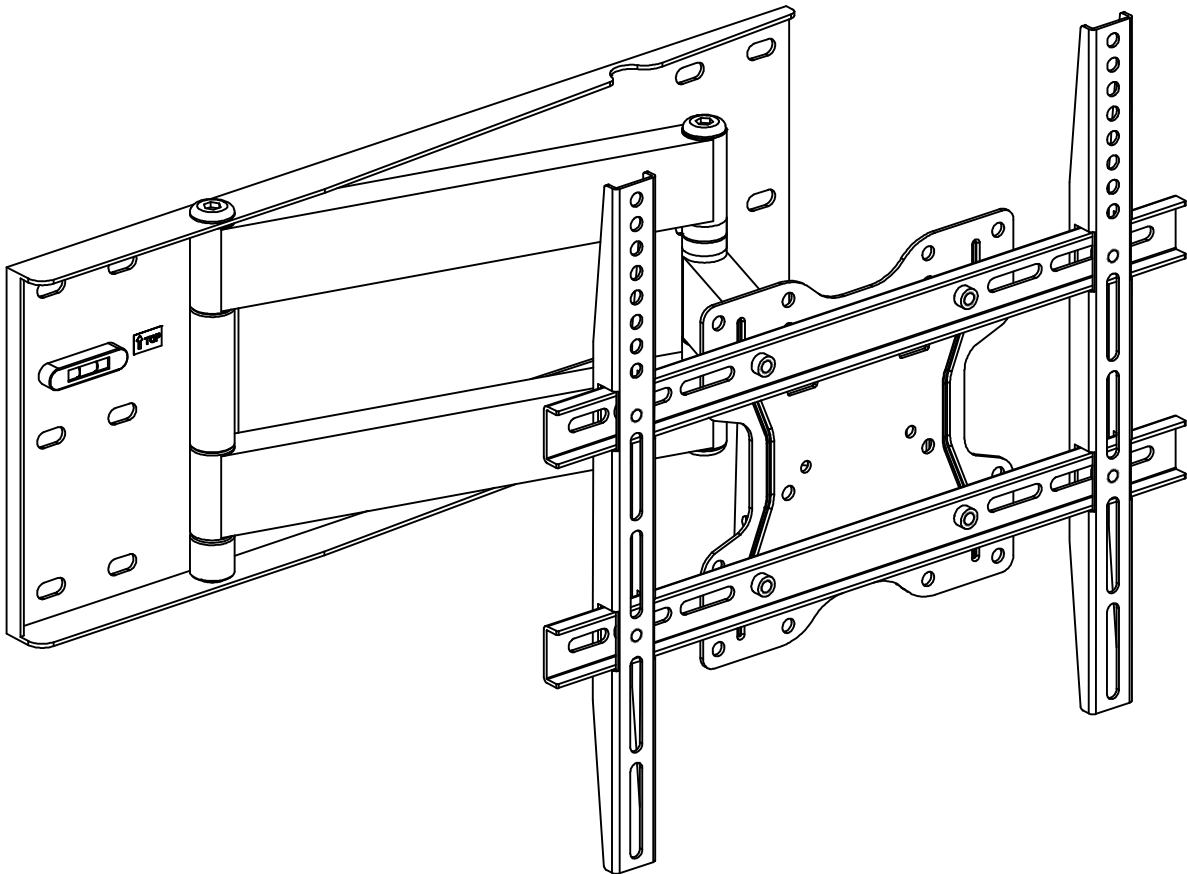


ASSEMBLY INSTRUCTION



MODEL: XD 2236E

- Please read this instruction carefully before assembly.
- Fits for 22-47in plasma and LCD TV.
- Weight Capacity : 55KG (121 LBS).

Safety Warning:

Never let children climb on product or play with product.

Do not sit or stand on product.

Do not fasten a TV that is heavier than the recommended load rating to the mount.

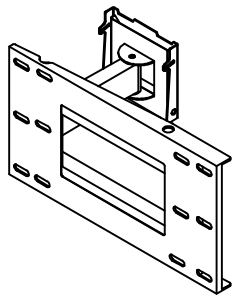
Improper installation may cause property damage and/or personal injury, so the installation must be done by two qualified contractors. The manufacture is not liable for damage or injury caused by incorrect mounting , assembly or use .

Improper handling can result in cuts and lacerations .

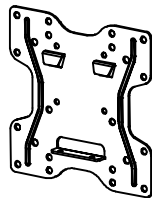
Pictures for reference only , subject to our available products .

Keep this instruction for future reference .

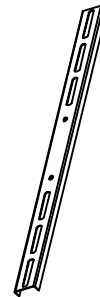
● Part list:



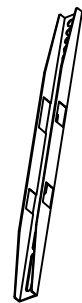
1-wall plate
1pcs



2-TV plate
1pcs




















3-bracket
2pcs



4-Fixing arm
2pcs

● Hardware list:

				
A-log bolt 4pcs	B-Anchor 4pcs	C-washer 4pcs	D-5mm Alley key 1pcs	E-M8X14 bolt 8pcs

						
F-M4X12 bolt 4pcs	G-M5X12 bolt 4pcs	H-M6X12 bolt 4pcs	I-M8X16 bolt 4pcs	J-M4X30 bolt 4pcs	K-M5X30 bolt 4pcs	L-M6X35 bolt 4pcs
						
M-M8X40 bolt 4pcs	N-M6/M8 spacer 4pcs	O-M4/M5 spacer 4pcs	P-M4/M5 washer 4pcs	Q-M6/M8 washer 4pcs		

Step 1: Hold wall plate (1) against wall at desired position , then using a pencil mark 4 hole locations . then drill holes according pencil marks using 2/5" or 10mm size drill bit to a depth of 2.5" or 64mm .
 Insert wall anchor (B) to the holes , the fix wall plate (1) to the wall with washers (C) and screws(A) .

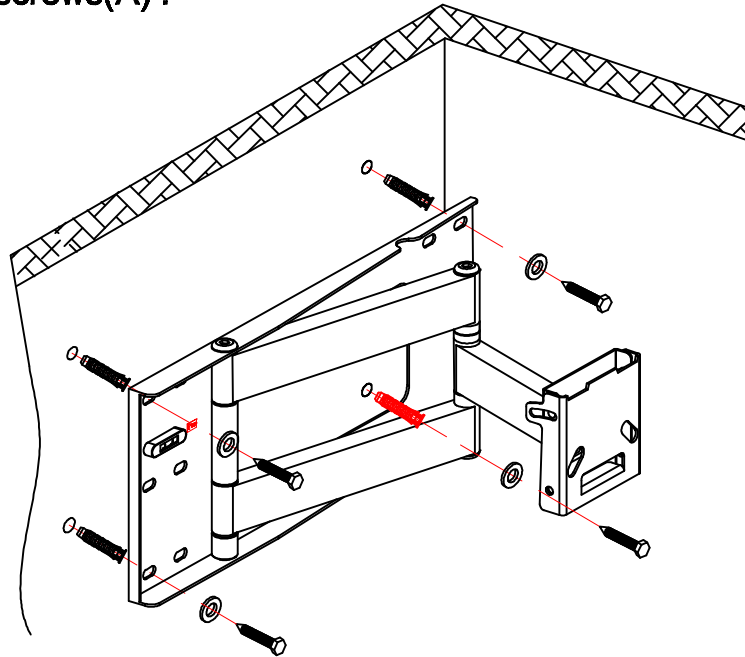


Figure 1

Step 2: Per the hole pattern on the back panel of TV , Choose the suitable unit .
 1 . VESA 100x100-200x200 Choose (2) to connect TV directly .
 2 . VESA within 400x400 Connect fixing arm (4) on the TV plate using screws(E) then position brackets (3) onto fixing arm (4) at appropriate distance .

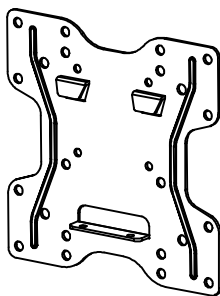


Figure 2

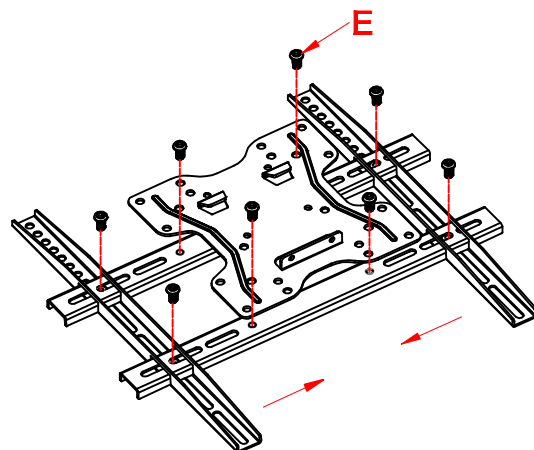


Figure 3

Step 3: Fix TV mounts to the back panel of TV .

1 . VESA : 100 x 100-200x200 .

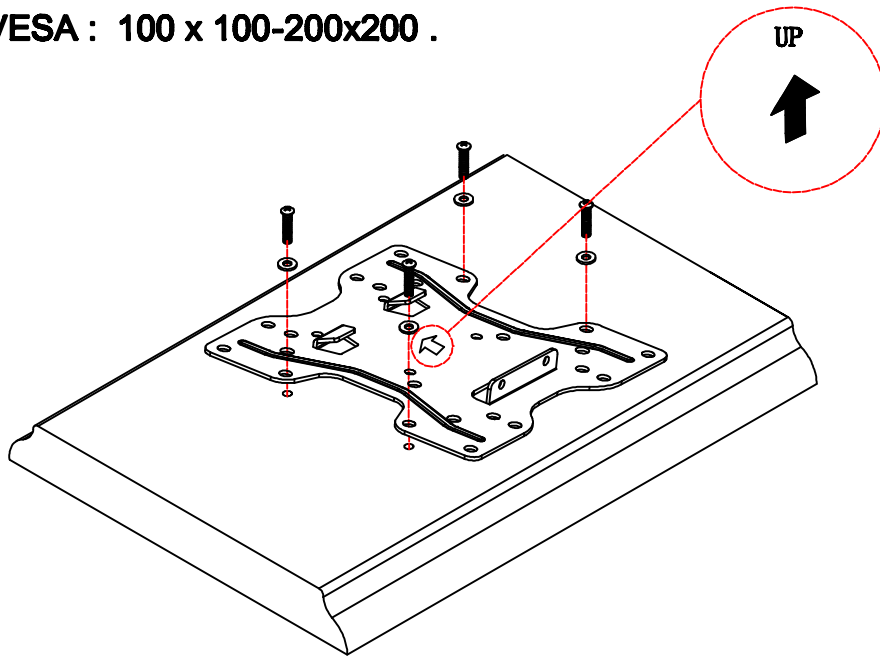


Figure 4

2 . VESA : 400 x 400 .

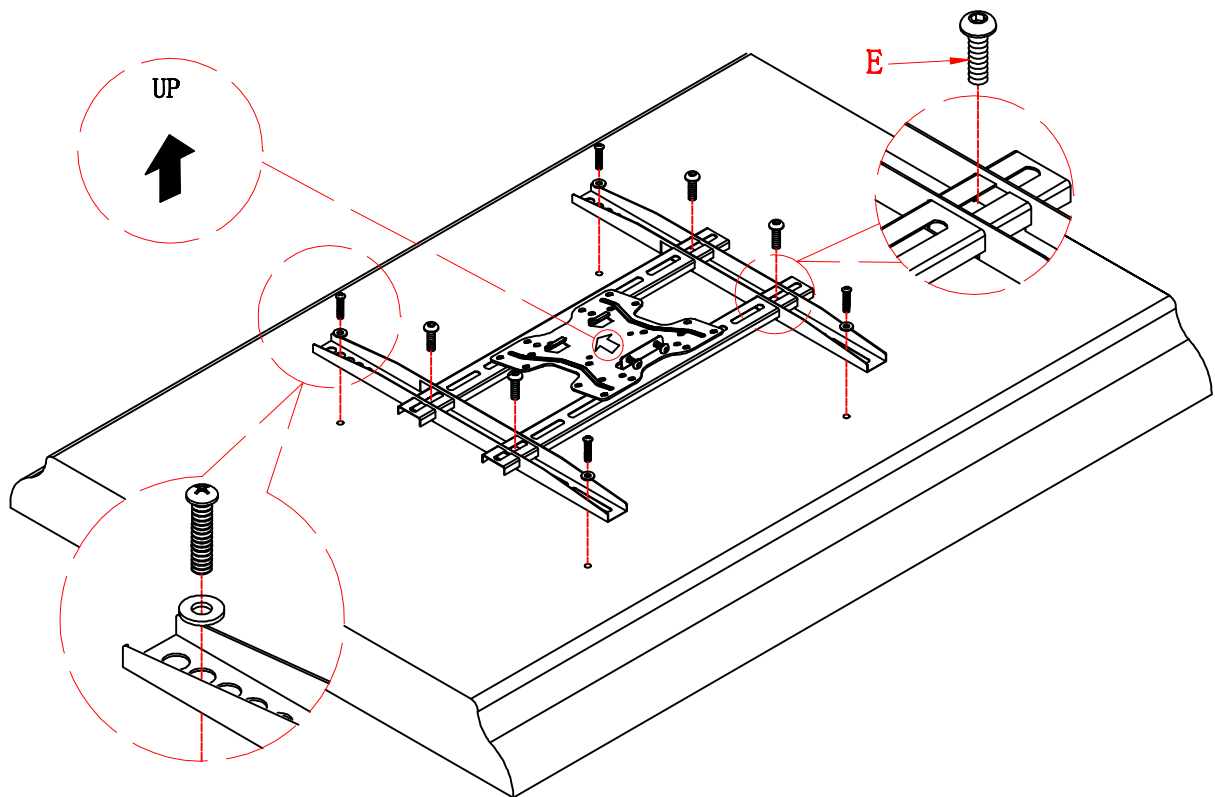


Figure 5

Step 4: Hang pre-assembled TV unit on the wall plate and tighten safety screws .

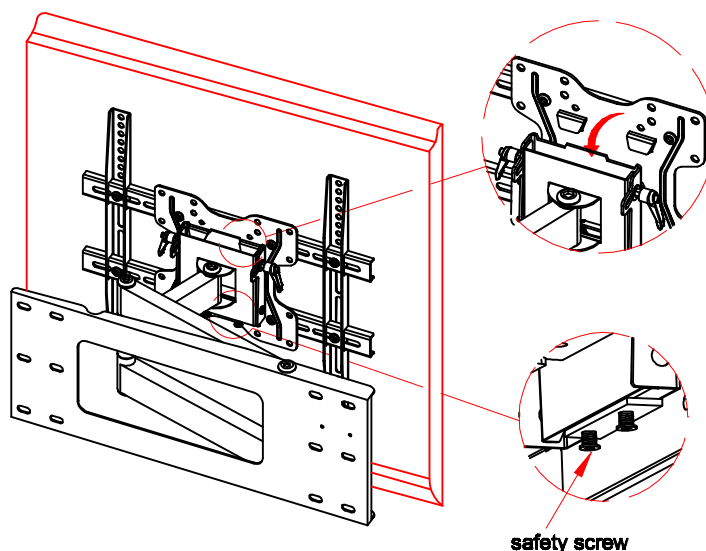


Figure 6

Step 5: You may need rotate the handle to adjust TV to your desired angle , please remember to fasten the screw tightly after adjustment .

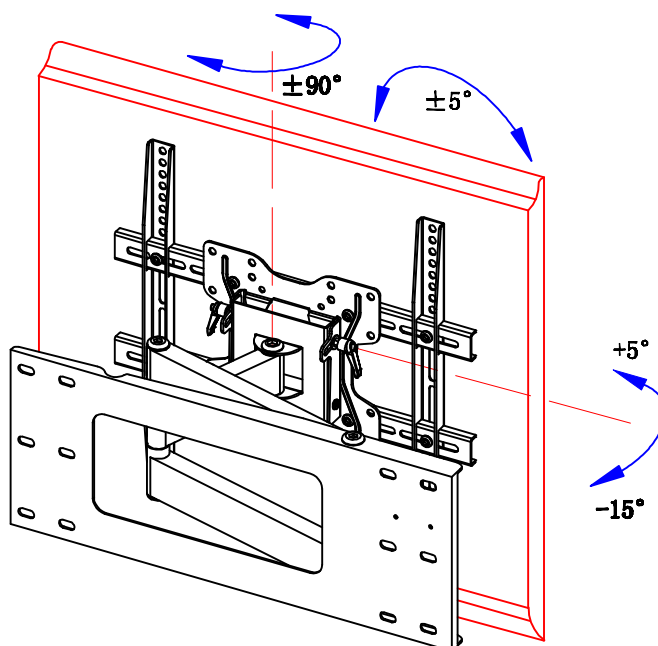


Figure 7

PAY EXTRA CARE AND ATTENTION WHEN YOU FASTEN TWO TV MOUNTS TO THE BACK PANEL OF TV IN STEP 2 . MAKE SURE THE APPROPRIATE MOUNT HARDWARE IS BEING USED PROPERLY .

- 1. Select correct Mounting Hardware according to the screw hole size of your TV, discard any remaining screws or spacers.**
- 2. Carefully lay your TV on its face on a non-abrasivesurface, making sure to lay padding underneath it so as not to damage the screen .**
- 3. Place left TV mount and right mount in the appropriate position, making sure CENTERED on the back of the TV and LEVEL with on another .**