

SKU:RN06802010WH/RN04800202GR/0203MP

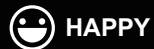
KEEPREAPER

Assembly Instructions

Your Dream Home is Waiting

KEEPREAPER

CUSTOMER CARE



We're just happy cuz you're happy.
If you don't know how to express your new-found joy, we can get a few suggestions.

Tell your family and friends.
Share your experience by writing a review.



Our friendly customer service team will work hard to make you have a big smile.

KEEPREAPER

Safety Information

Basic precautions should always be followed when using this product.
Please read all instructions before using the cabinet.

Failure to observe all instructions and warnings regarding use this product may cause serious property damage or personal injured.



When unpacking, Please be careful don't cut too deep to damage the products in the box, just use the blade to scratch the parcel tape.



Check the product accessories and hardware accessories in the box; and confirm whether, the instructions are complete.



When installing, please pay attention to the protection of the parts. The soft material must be placed under the product, and the product must be handled with care to avoid damaging the surface of the parts.



After the assembly is completed, please adjust the placement position according to the actual situation.

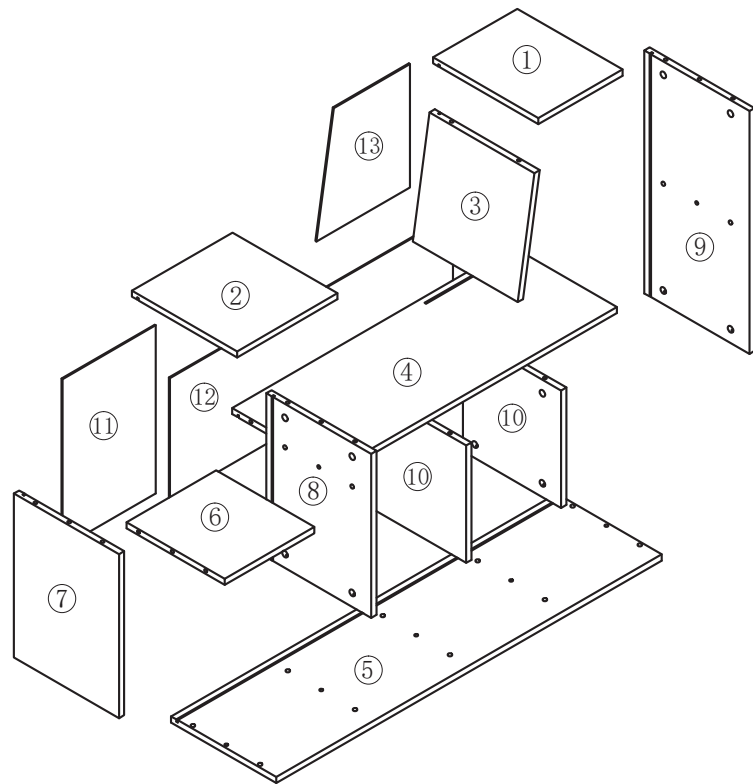
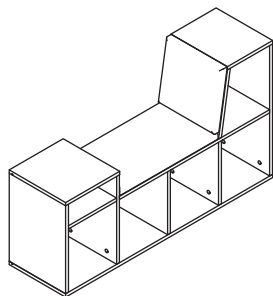


Keep children away from cabinets, accessories and installation tools. They are at risk of injury to the child.

Part List

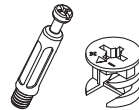


Open the package, and put the item on the mat with care.
Please install it carefully to ensure your fingers will not be scratched.



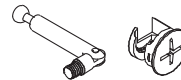
Hardware List

A



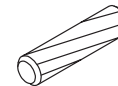
×28

B



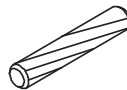
×4

C



×12

D



×1

E



×6

F



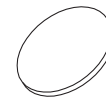
×8

G



×8

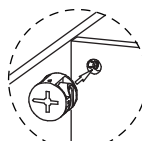
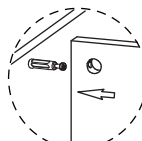
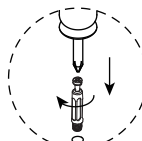
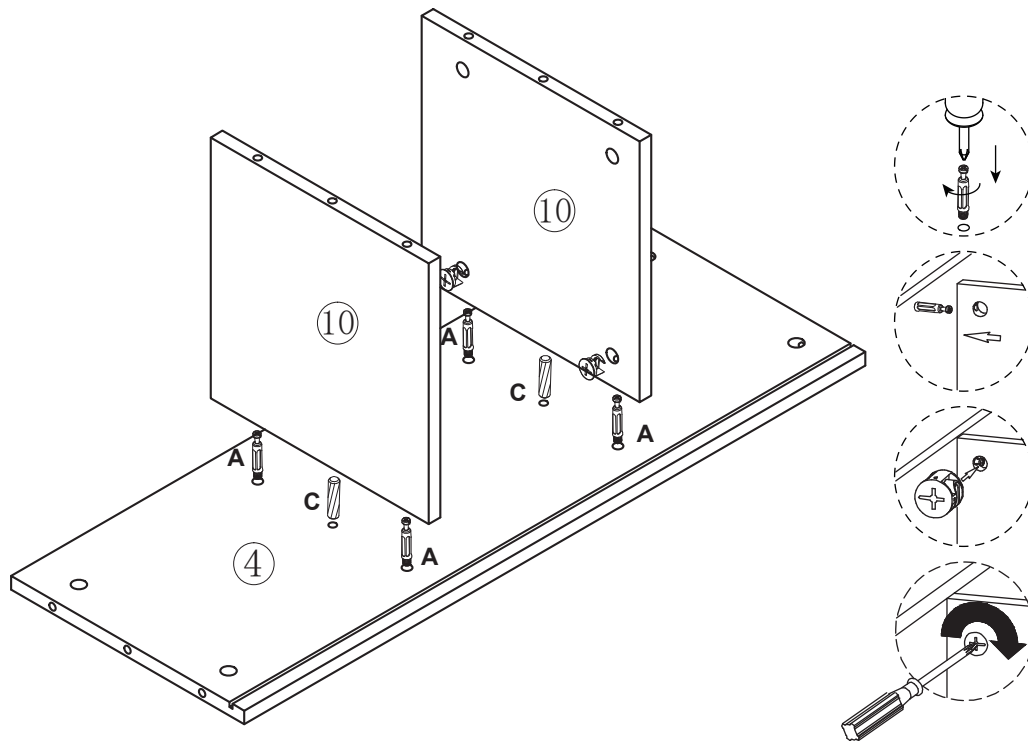
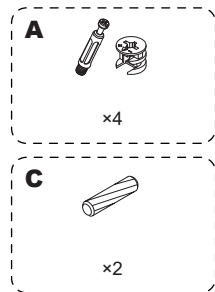
H



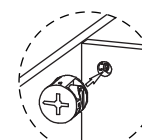
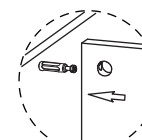
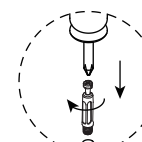
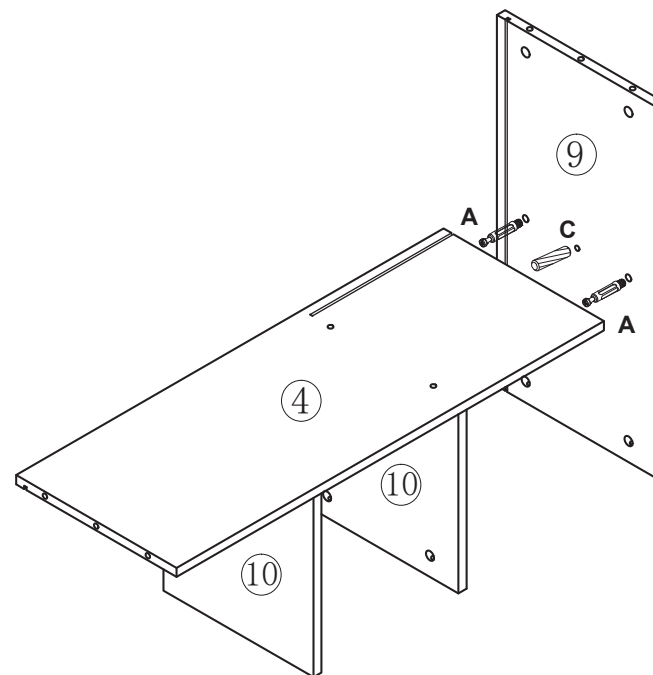
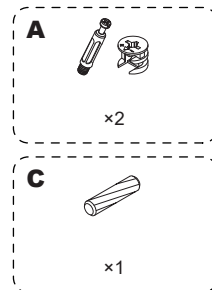
×24

Start...

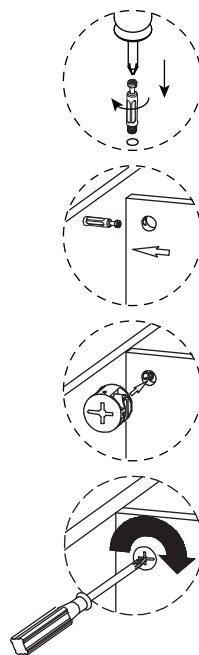
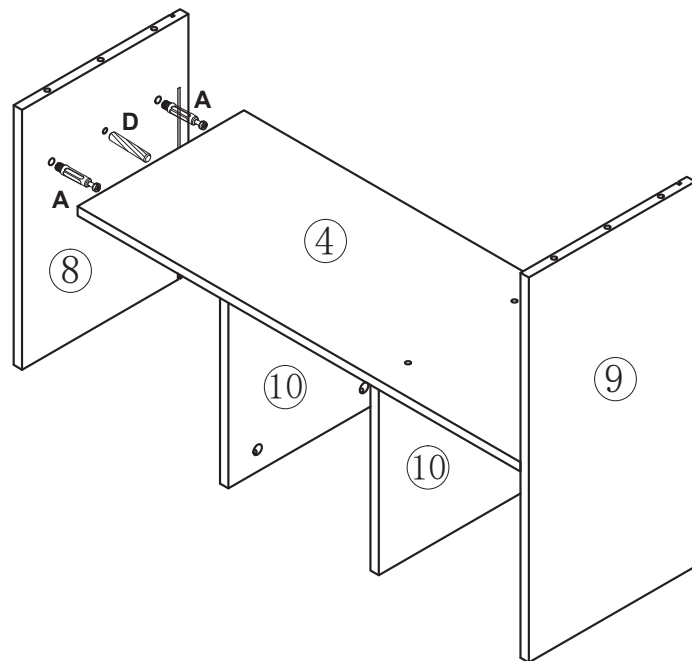
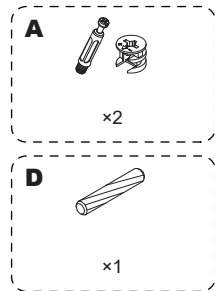
| Step1



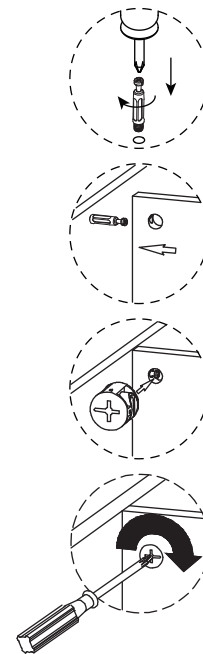
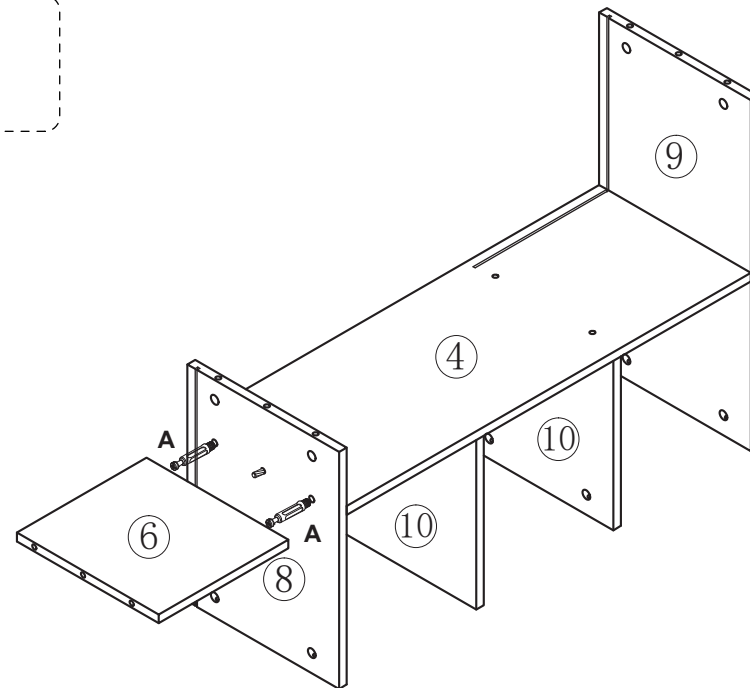
| Step2



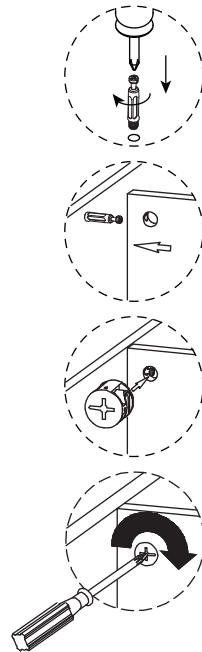
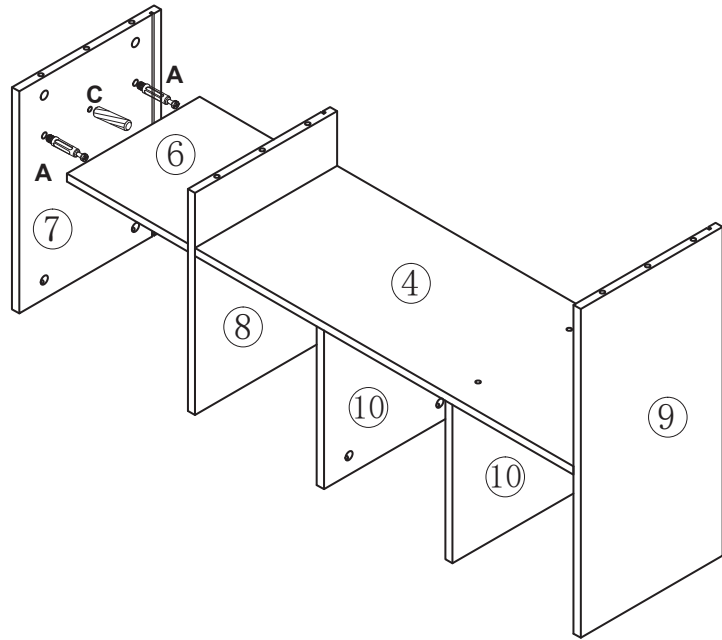
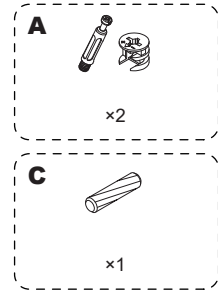
| Step3



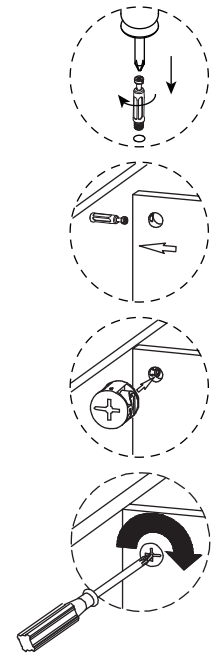
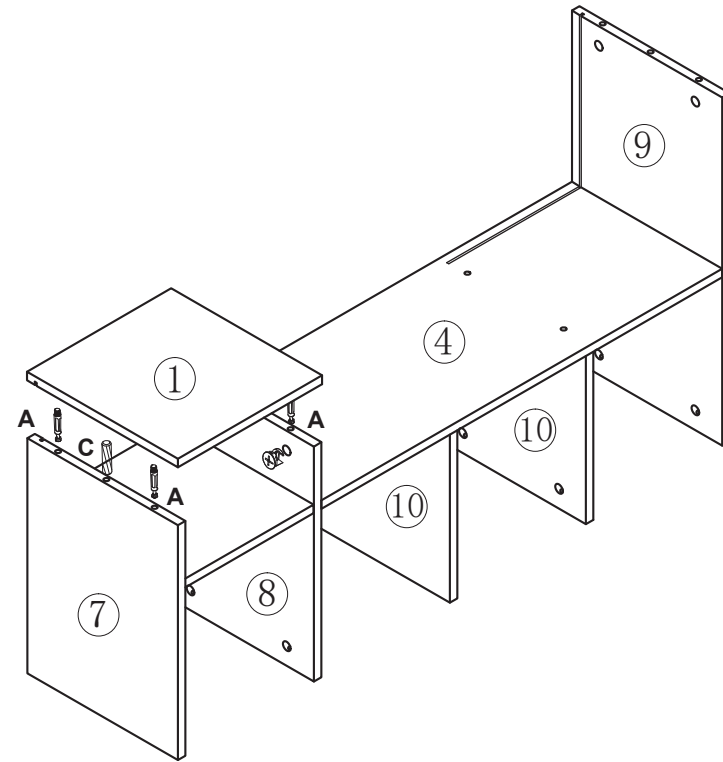
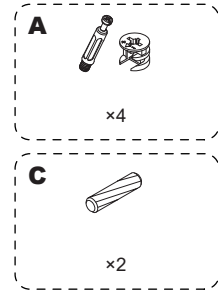
| Step4



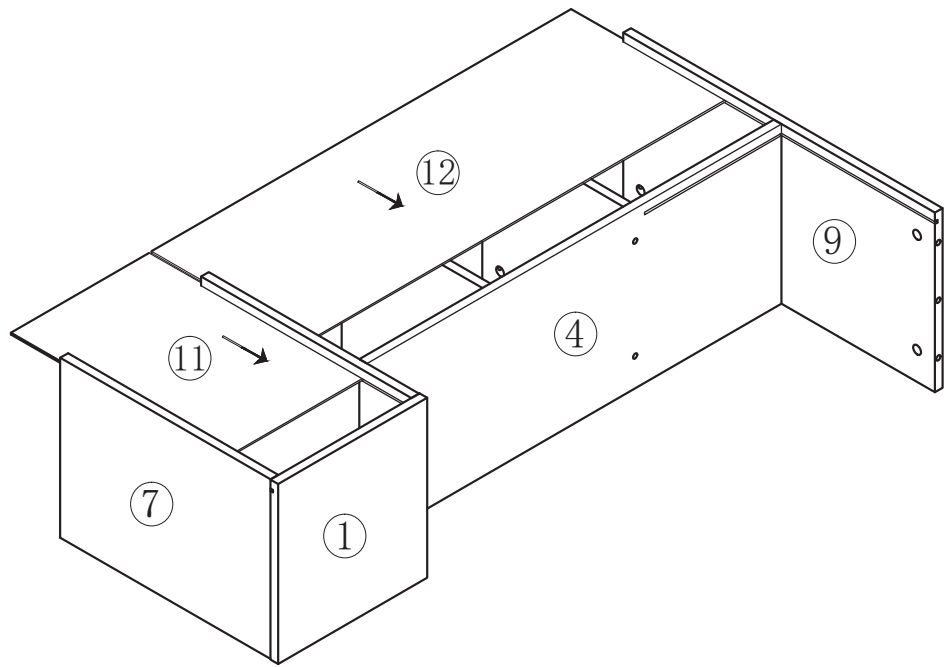
| Step5



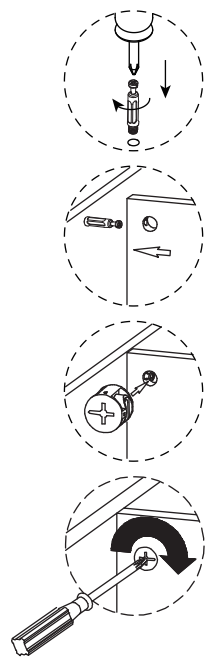
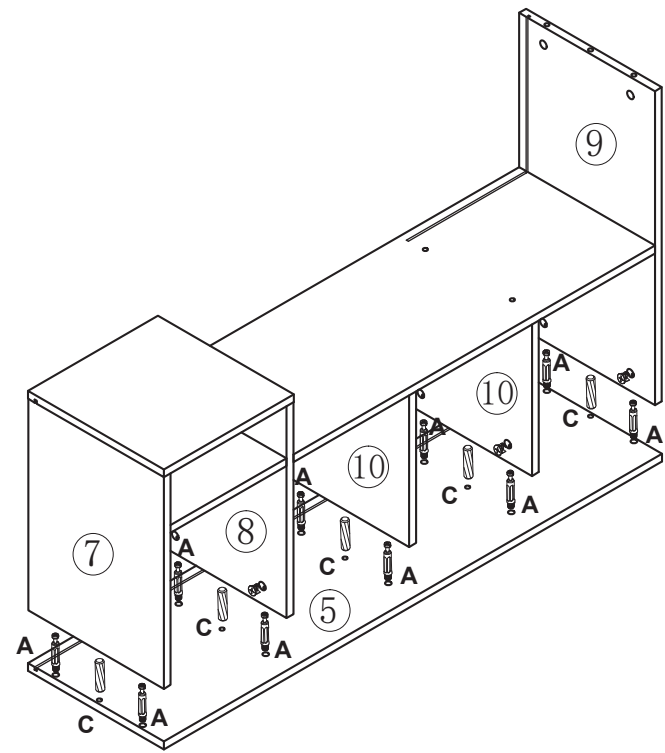
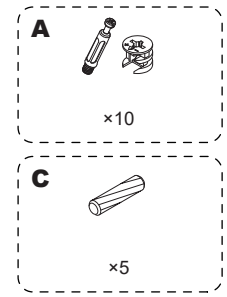
| Step6



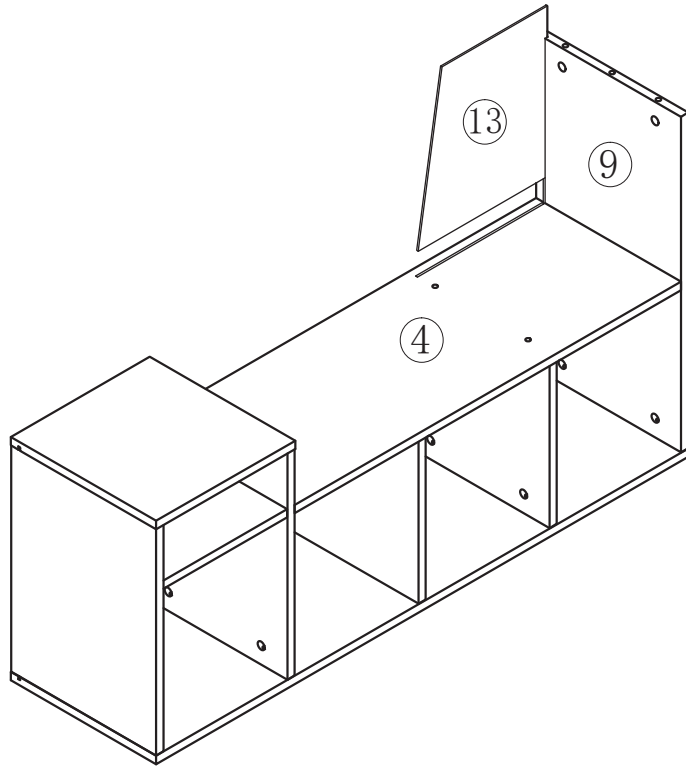
| Step7



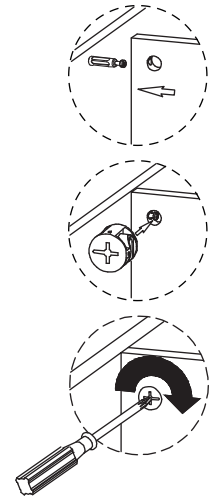
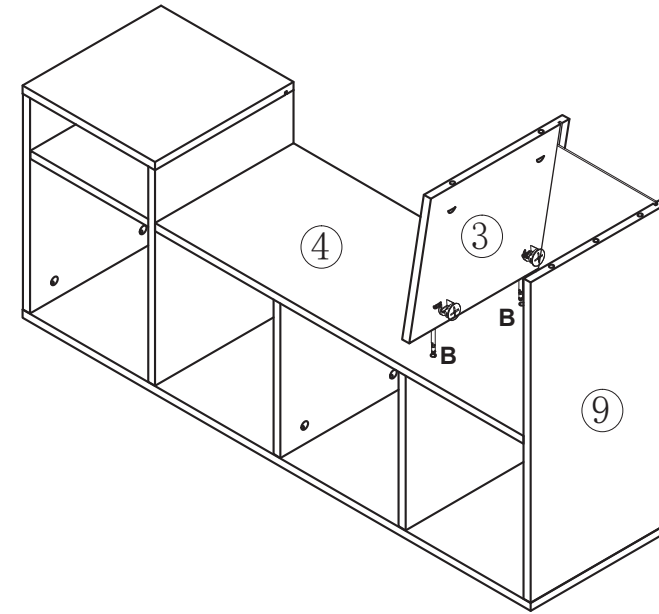
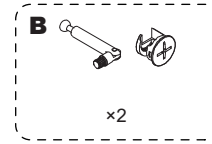
| Step8






| Step9

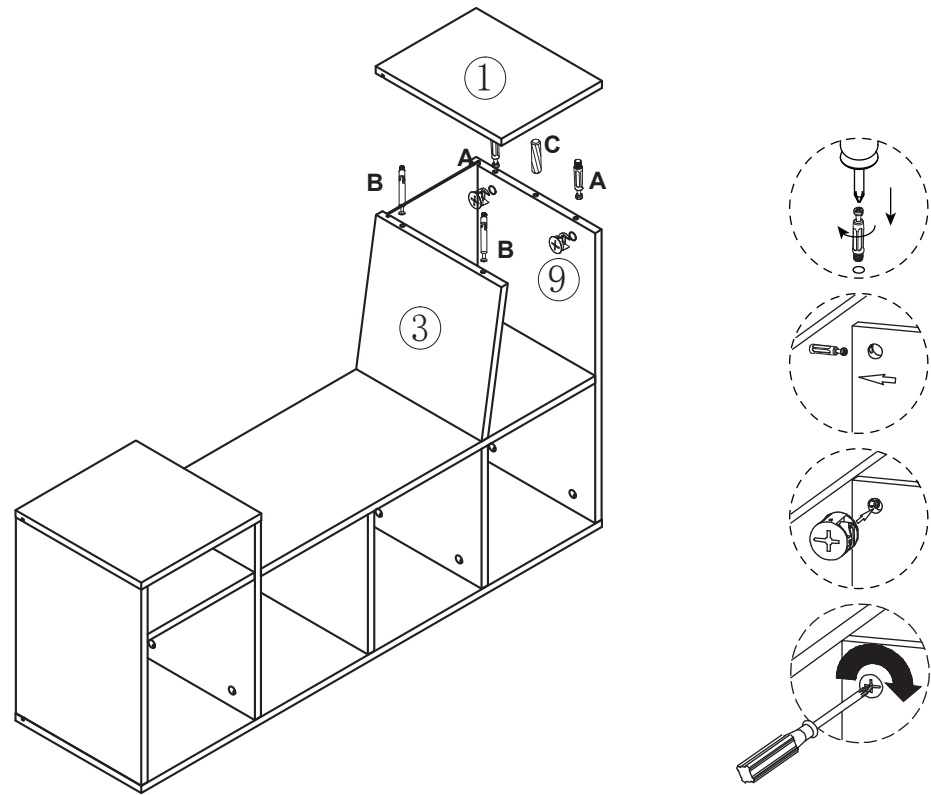


| Step10




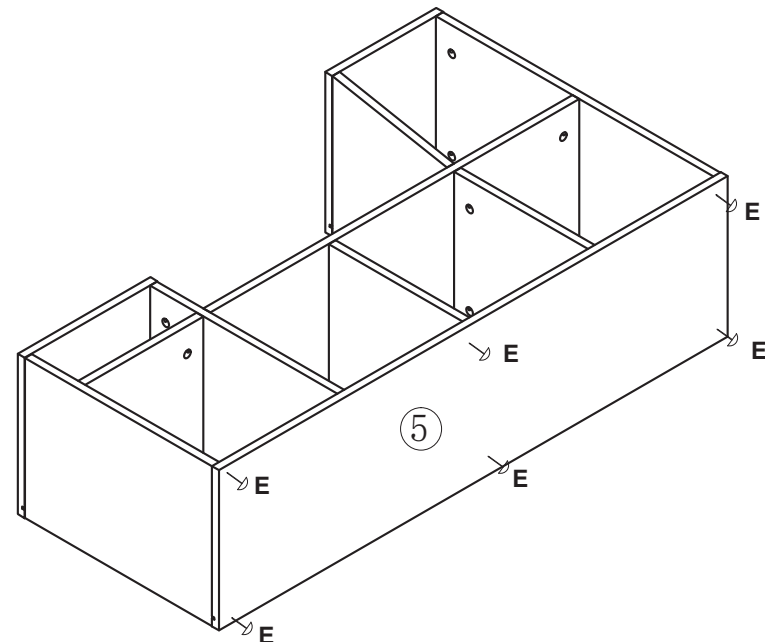
| Step11

- A**  x2
- B**  x2
- C**  x1

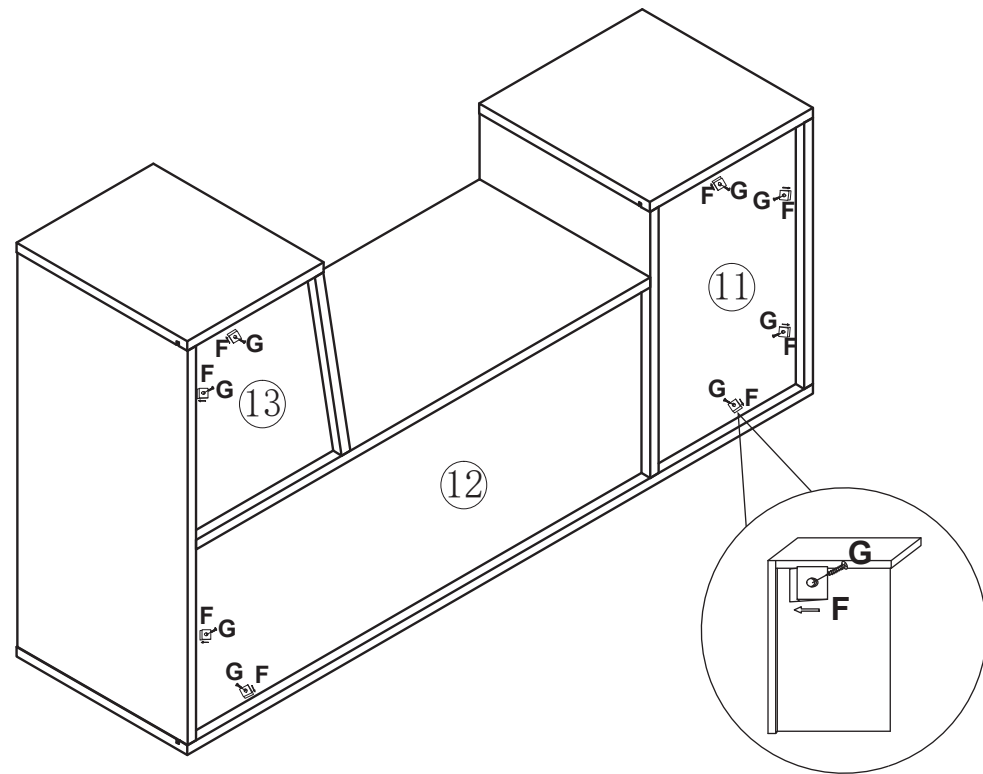
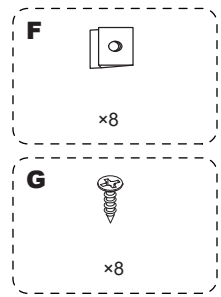


| Step12

- E**  x6



| Step13



| Step14

