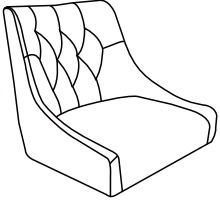

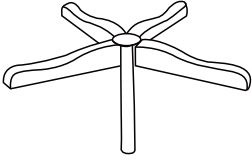

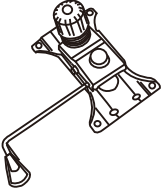




# ASSEMBLY INSTRUCTION

<b>Ax1</b> 	<b>Ex1</b> 
<b>Bx1</b> 	<b>Fx5</b> 
<b>Cx1</b> 	<b>Gx4</b> 
<b>Dx1</b> 	<b>Fx1</b> 