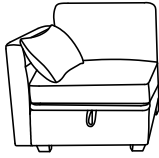

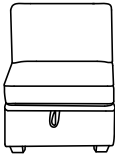
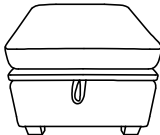
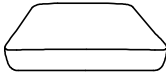
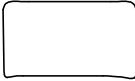
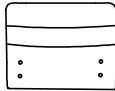

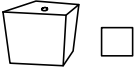

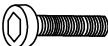




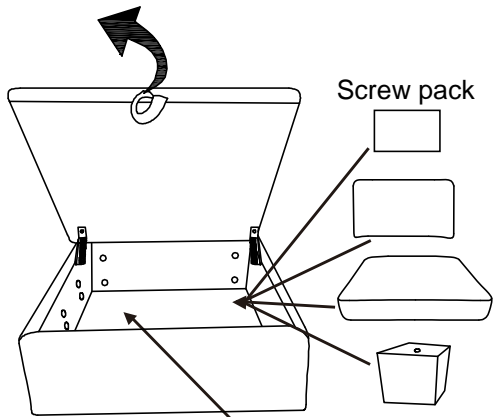
Assembly Instructions

Parts List

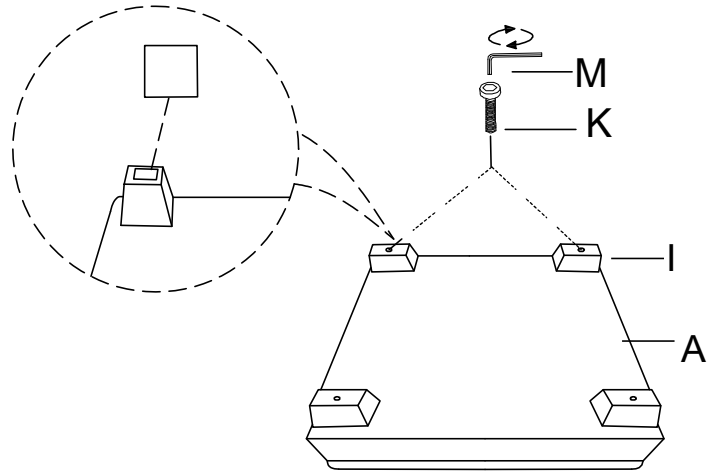
A		Left Sofa	1
B		Right Sofa	1
C		Middle Sofa	2
D		Ottoman	2
E		Cushion	6
F		Backrest	4
G		Arm/Back	6
H		Pillow	2
I		Feet/Feet Pad	24
J		Connector	3
K		Screw	48
L		Gasket	24
M		Wrench	1

Assembly Steps

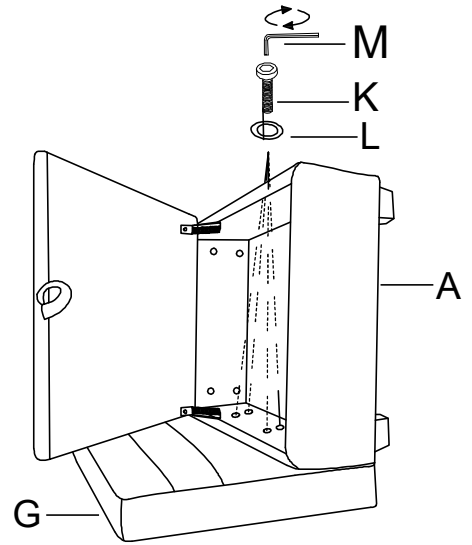
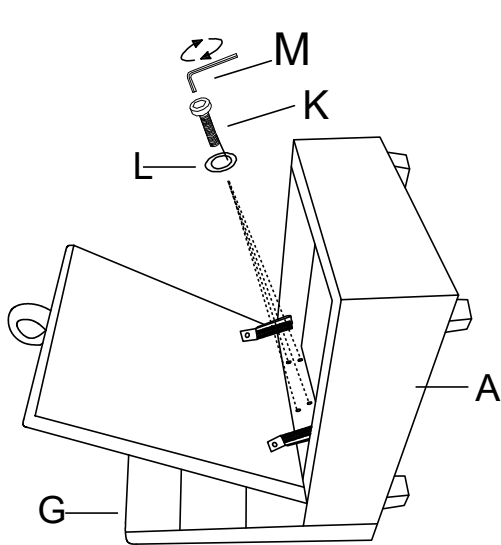
①



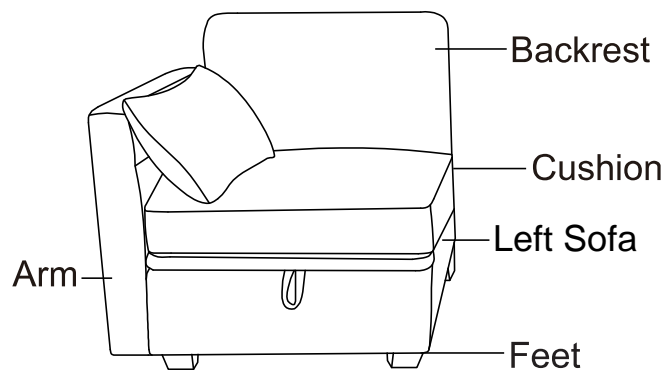
The backrest cushion and feet are inside



②

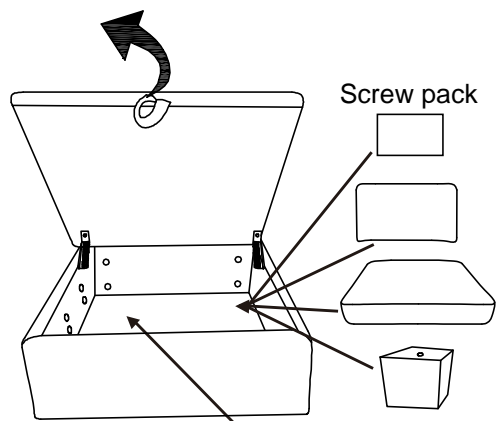


③

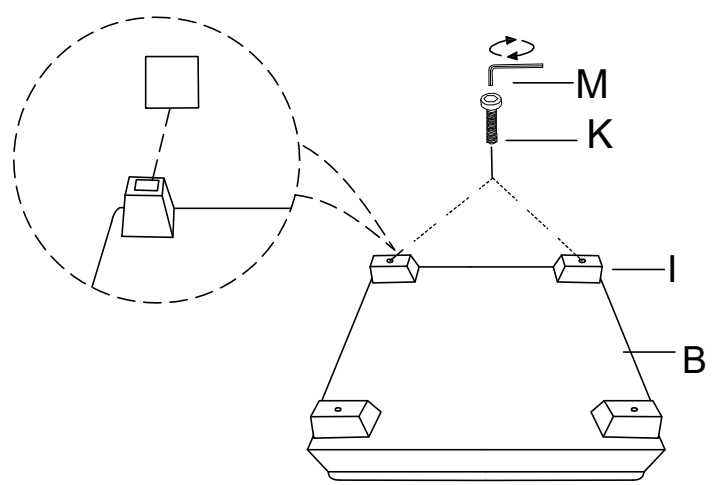


Assembly Steps

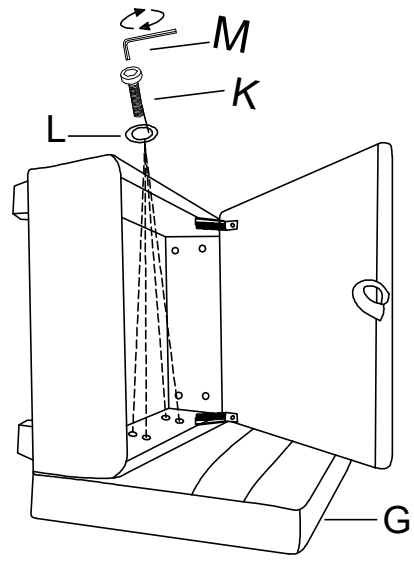
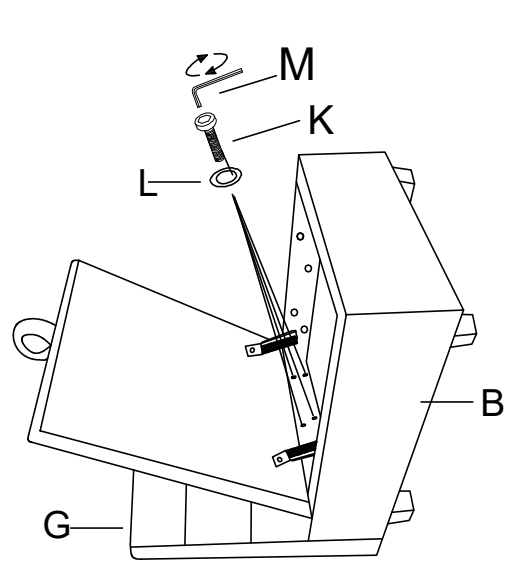
①



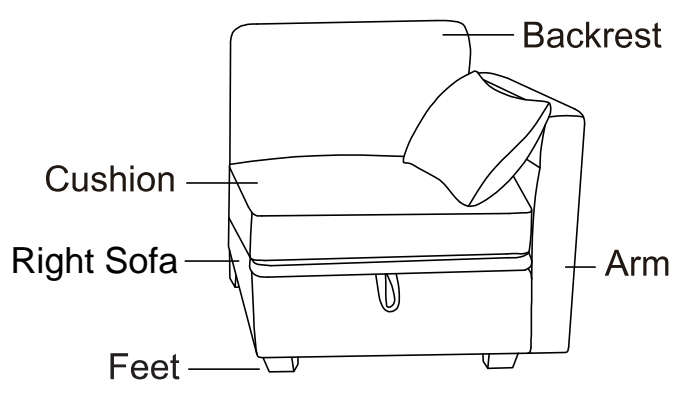
The backrest cushion and feet are inside



②

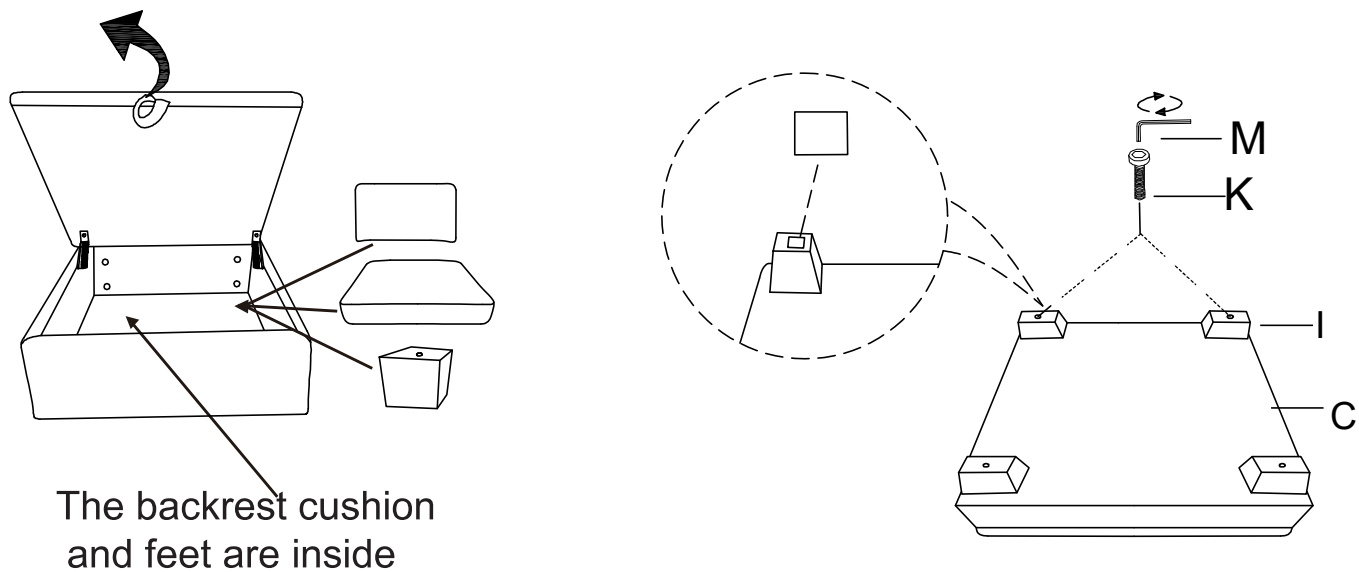


③

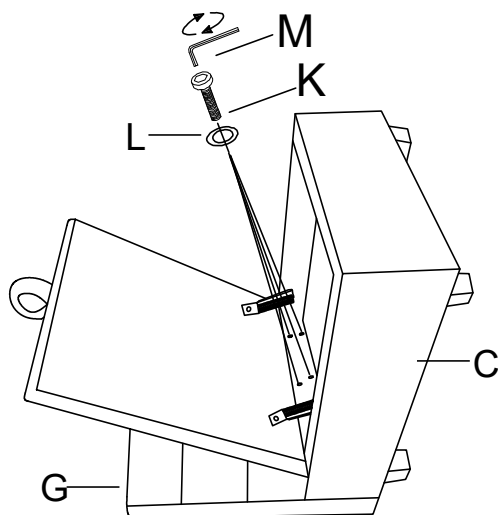


Assembly Steps

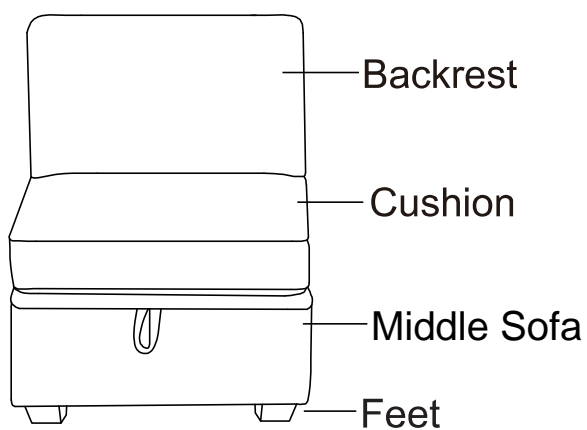
①



②

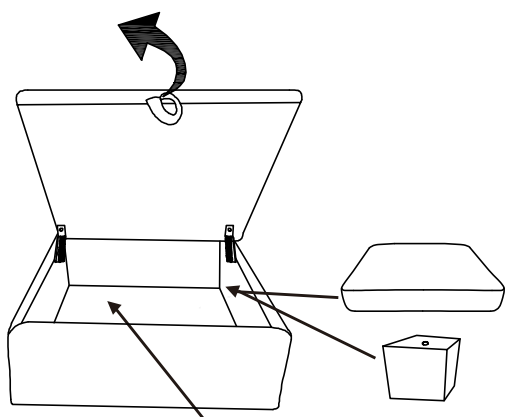


③

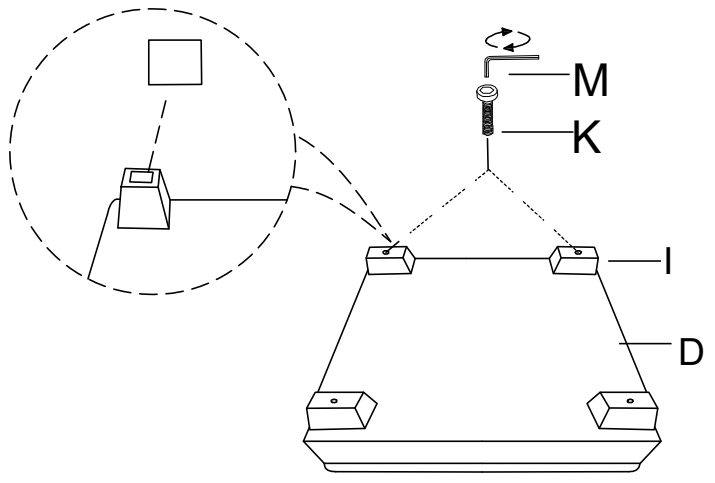


Assembly Steps

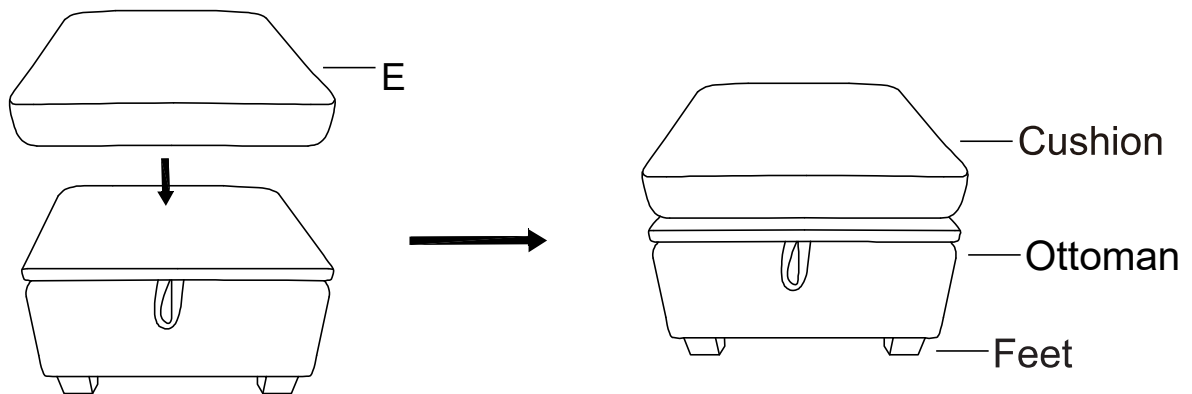
①



The cushion and feet are inside

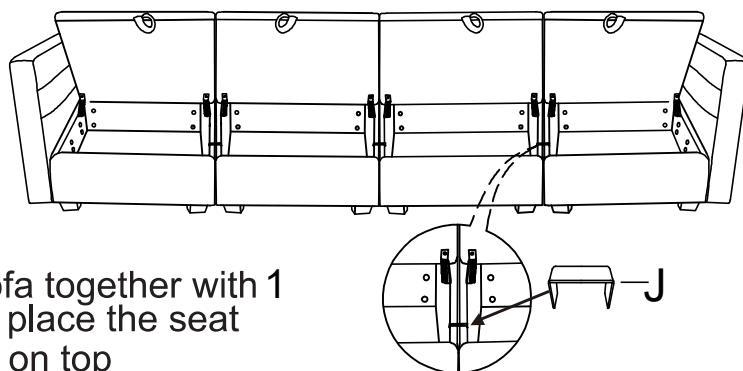


②



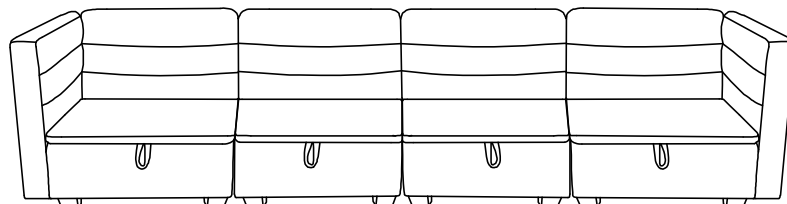
Assembly Steps

Step 1

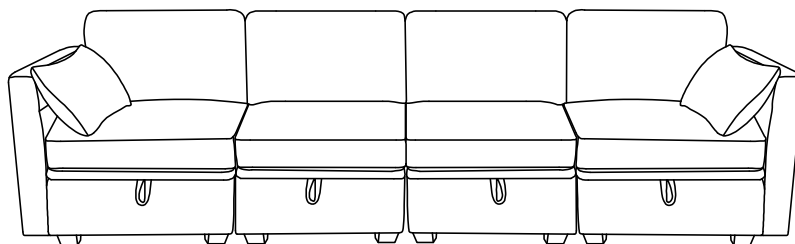


Fix the assembled sofa together with 1 connectors, and then place the seat cushion and backrest on top

Step 2



Step 3



Step 4

