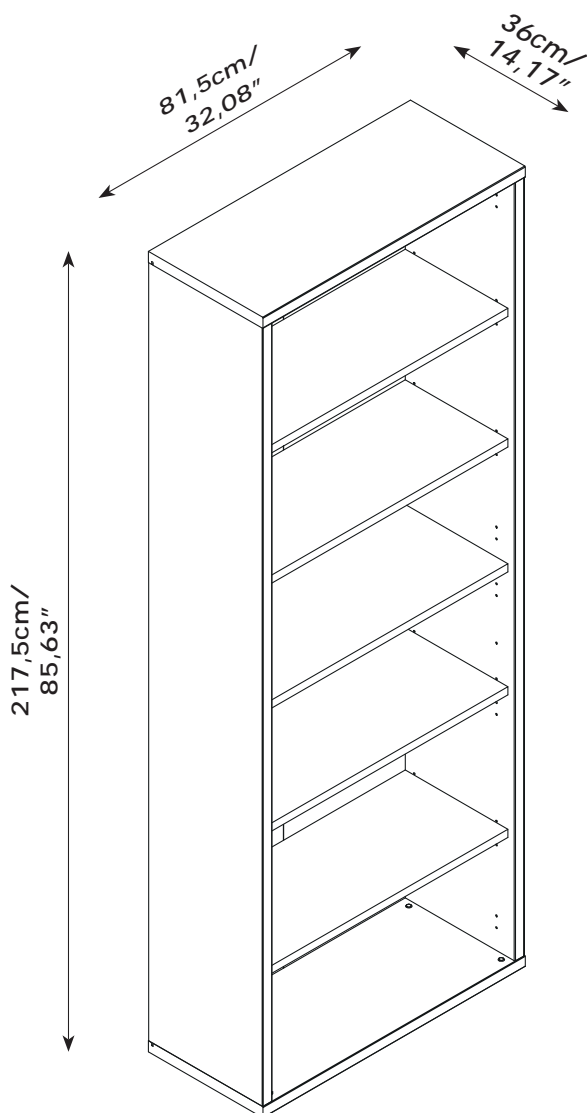
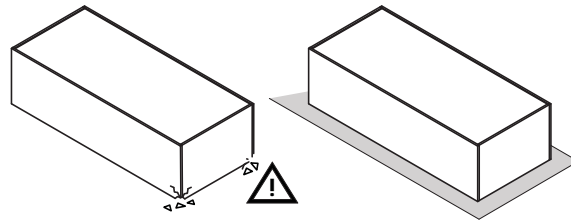
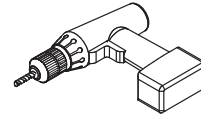
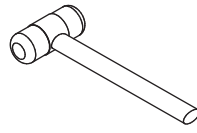
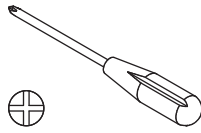
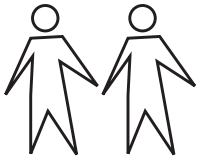


LB4801B



QF5181





IT IS RECOMMENDED THAT THE ANTI-TIP KIT INCLUDED WITH THIS PRODUCT BE INSTALLED FOR ADDED SAFETY AND STABILITY.

IT IS ESSENTIAL TO USE WALL ANCHORS APPROPRIATE FOR YOUR WALL TYPE (I.E. PLASTER, DRYWALL, CONCRETE, ETC.), ALONG WITH APPROPRIATE SCREWS, FOR PROPER MOUNTING.

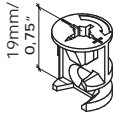
THE SCREWS INCLUDED IN THIS ANTI-TIP KIT MAY NOT BE SUITED FOR ALL WALL TYPES. MOUNTING TO WOOD STUDS IS RECOMMENDED.

CONSULT A QUALIFIED PROFESSIONAL OR YOUR LOCAL HARDWARE STORE FOR APPROPRIATE MOUNTING HARDWARE SUITED FOR YOUR SPECIFIC WALL MEDIUM.

BU3401



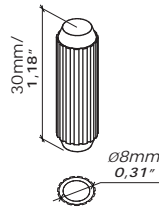
T7
x4



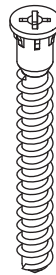
T97
x4



T28
x8



H1
x12



V57
x4



H2
x20



V5
x20



V81
x2



H129
x2



R40
x16



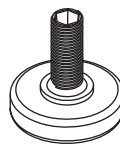
G031
x22



G120
x4



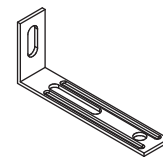
G57
x4



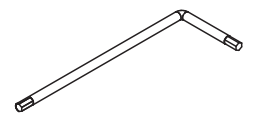
P25
x4



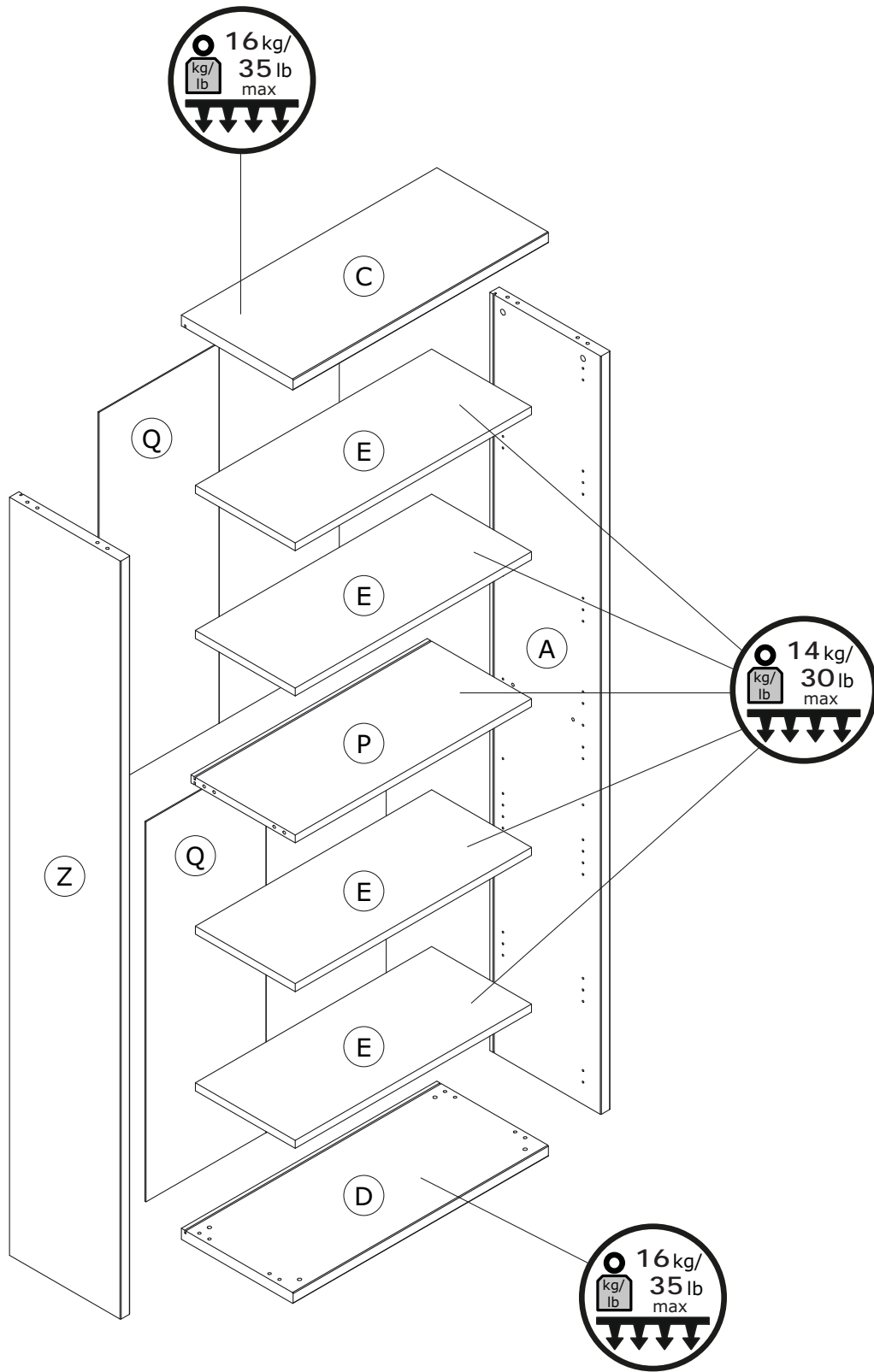
H118
x4

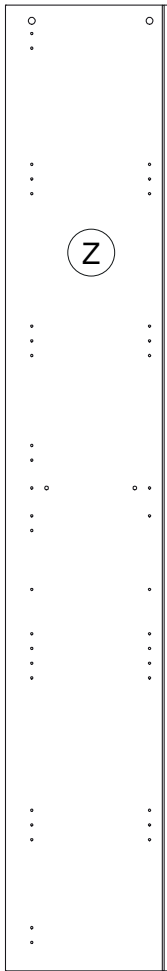


H185
x1

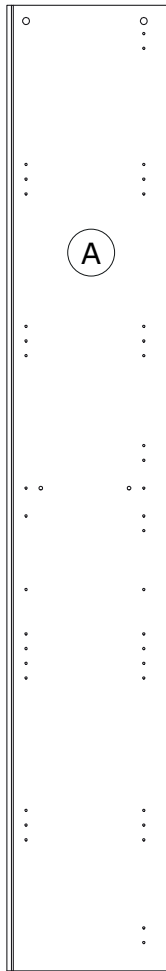


H138
x1

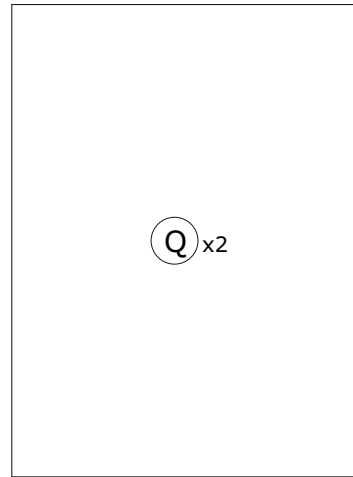




FI8314
2100x355x30mm/
82,68" x 13,98" x 1,18"

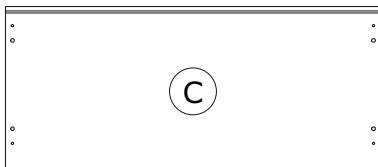


FI8312
2100x355x30mm/
82,68" x 13,98" x 1,18"

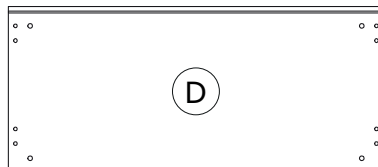


SH3190
1053x768x2mm/
41,46" x 30,24" x 0,08"

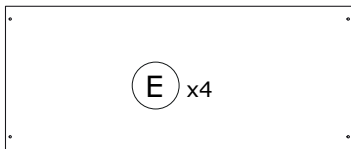
BOX 1/2



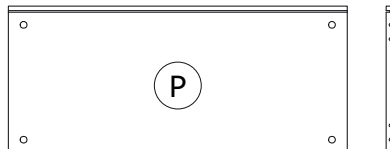
CA3407
816x357x30mm/
32,01" x 14,06" x 1,18"



BA2095
816x357x30mm/
32,12" x 14,05" x 1,18"



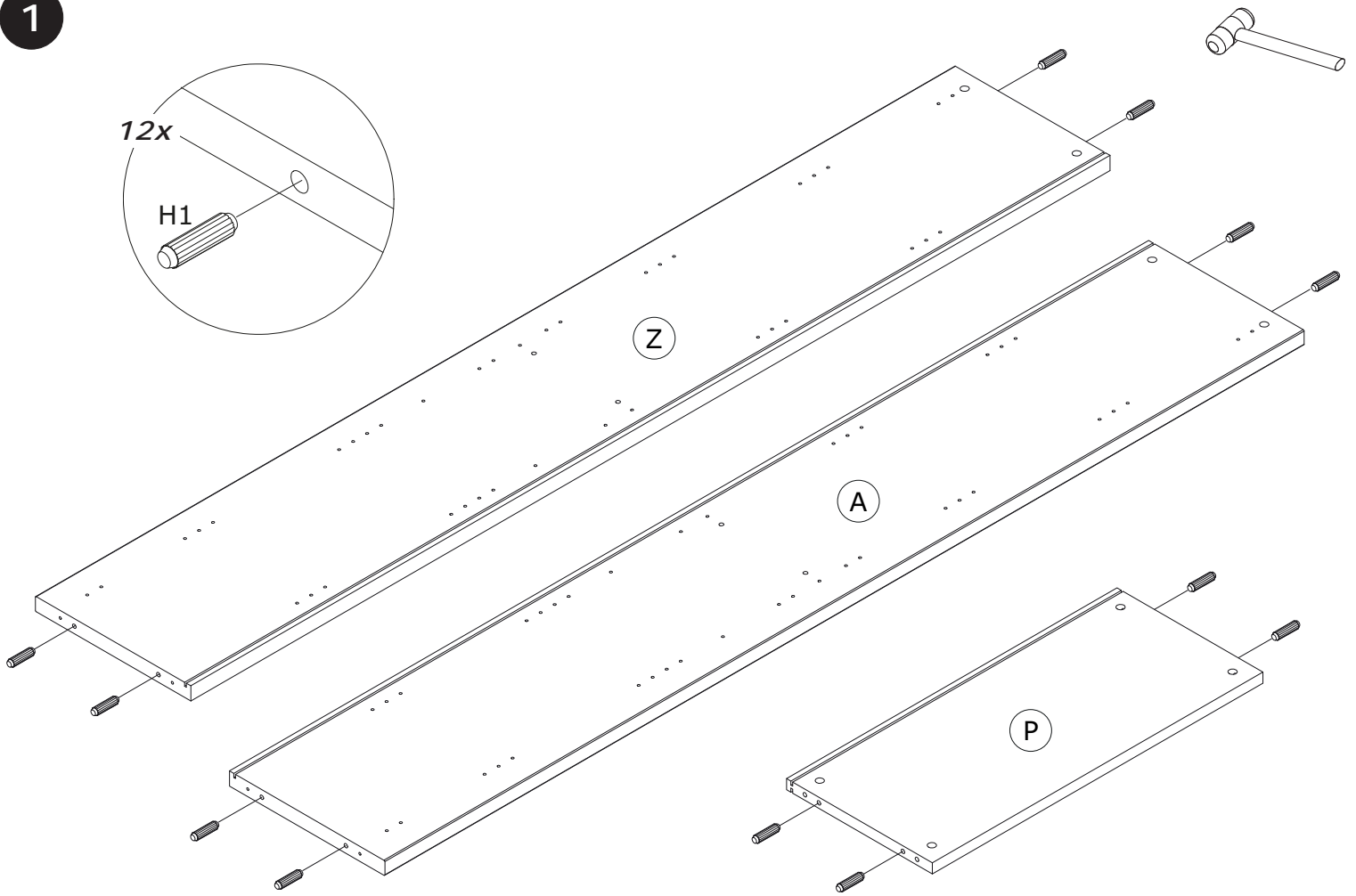
PI6991
755x319x22mm/
29,72" x 12,56" x 0,87"



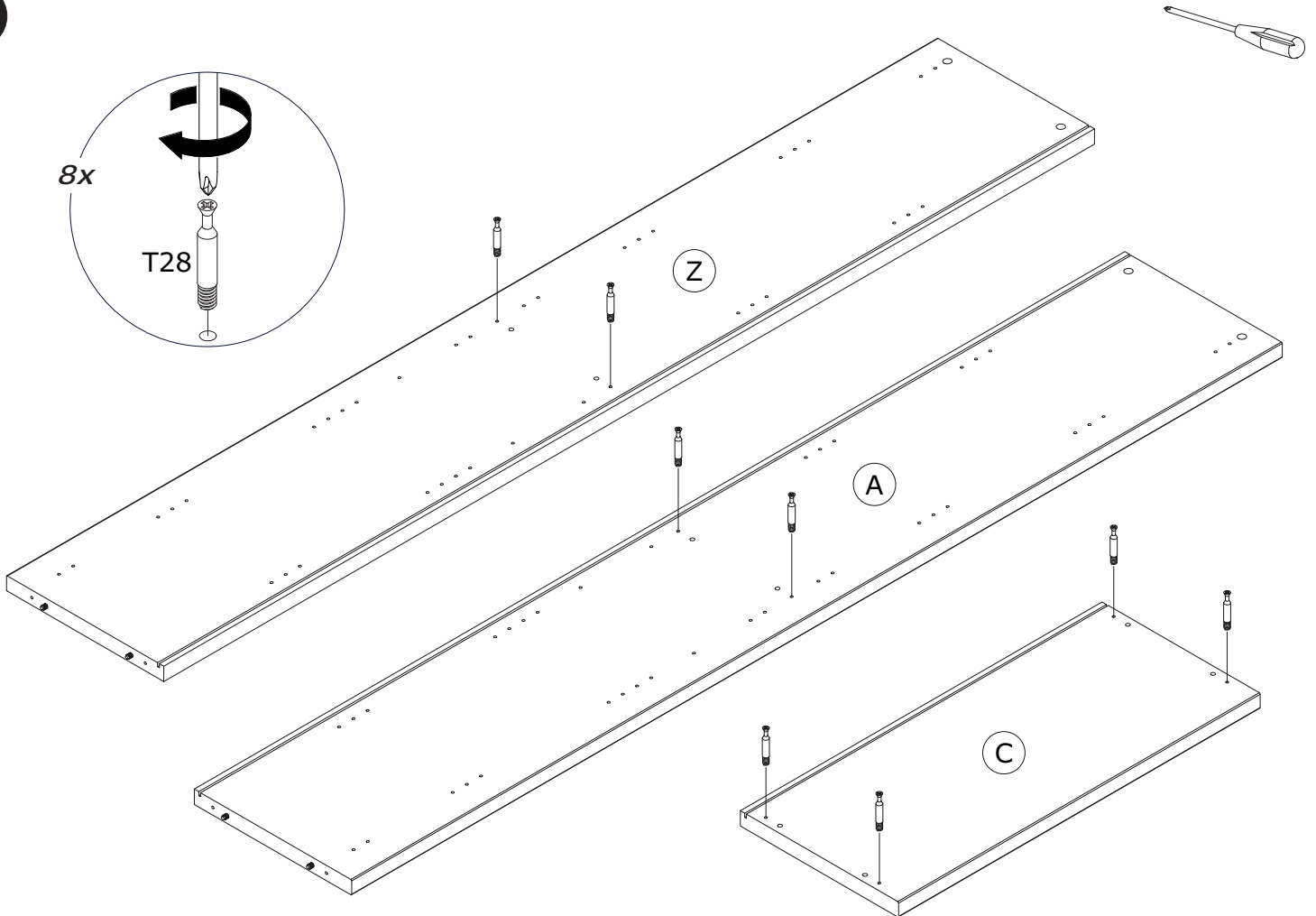
PI6992
755x333x22mm/
29,72" x 13,11" x 0,87"

BOX 2/2

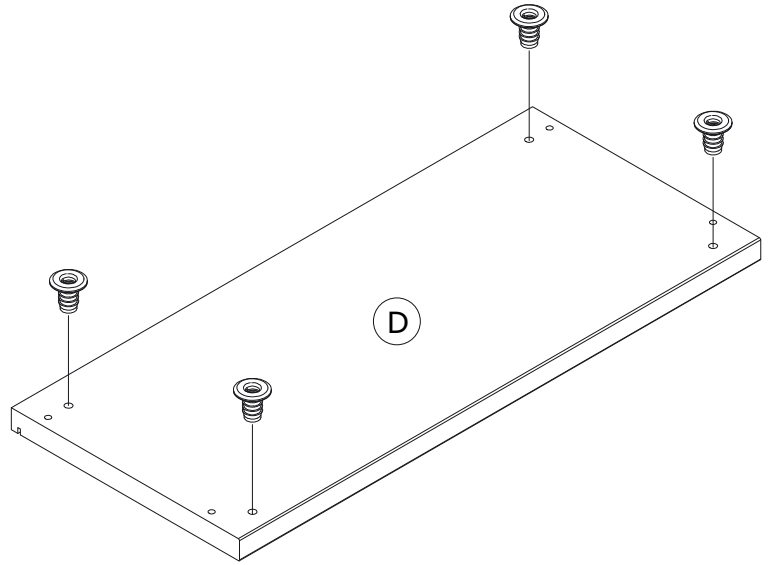
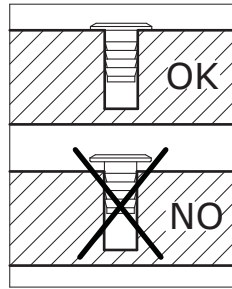
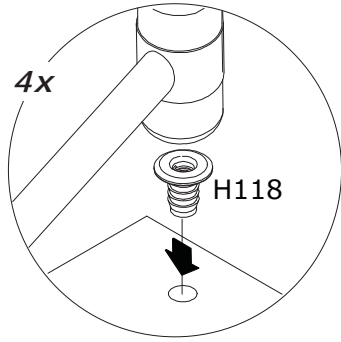
1



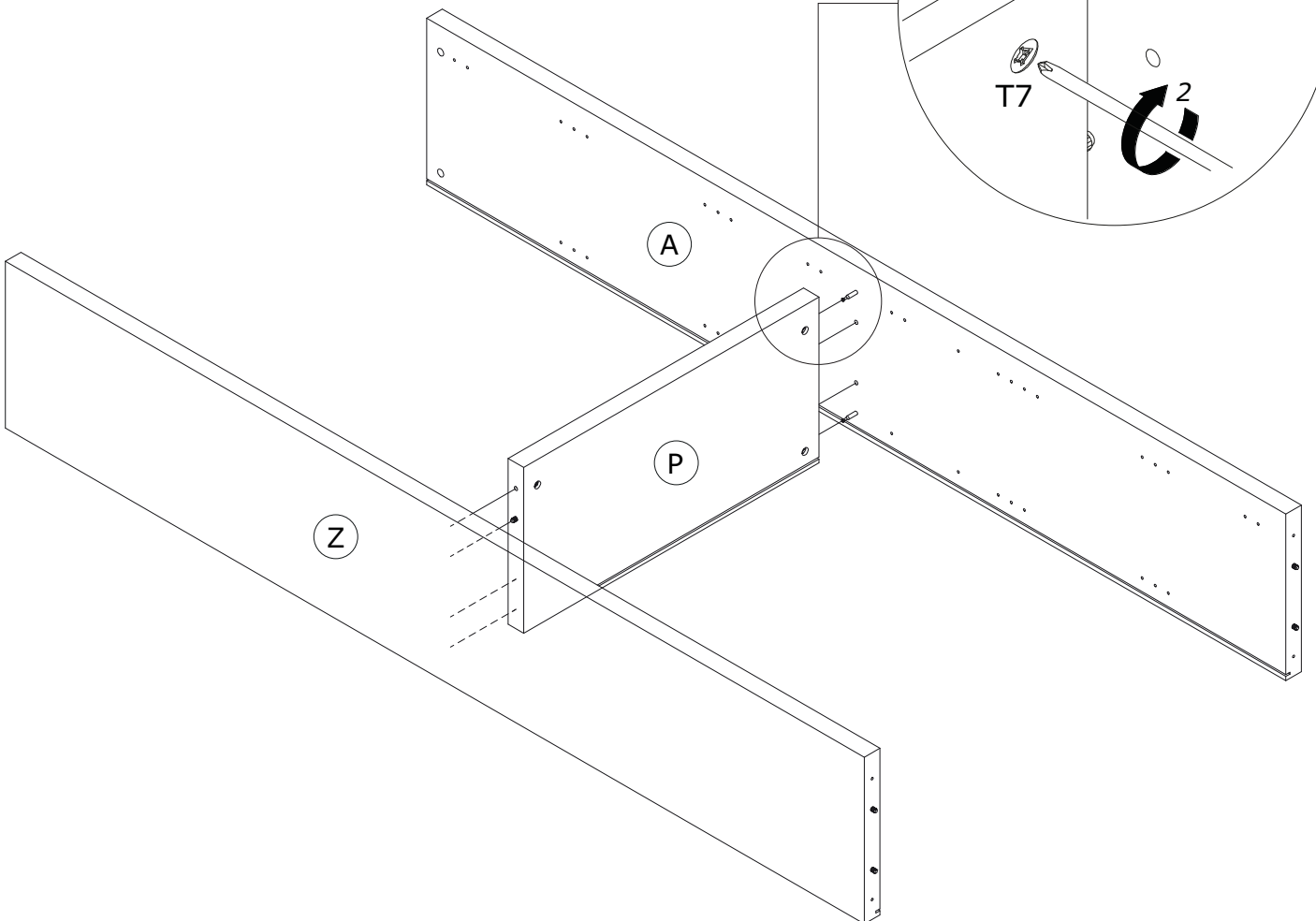
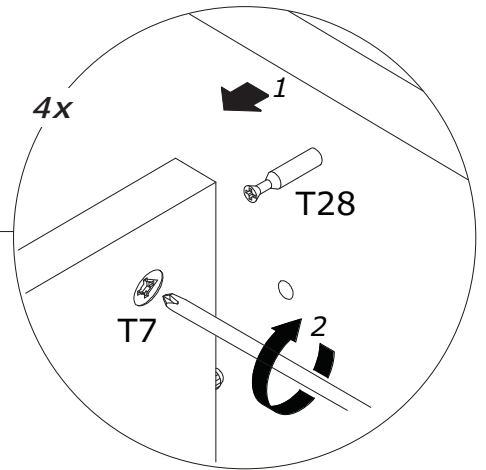
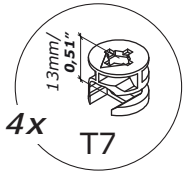
2



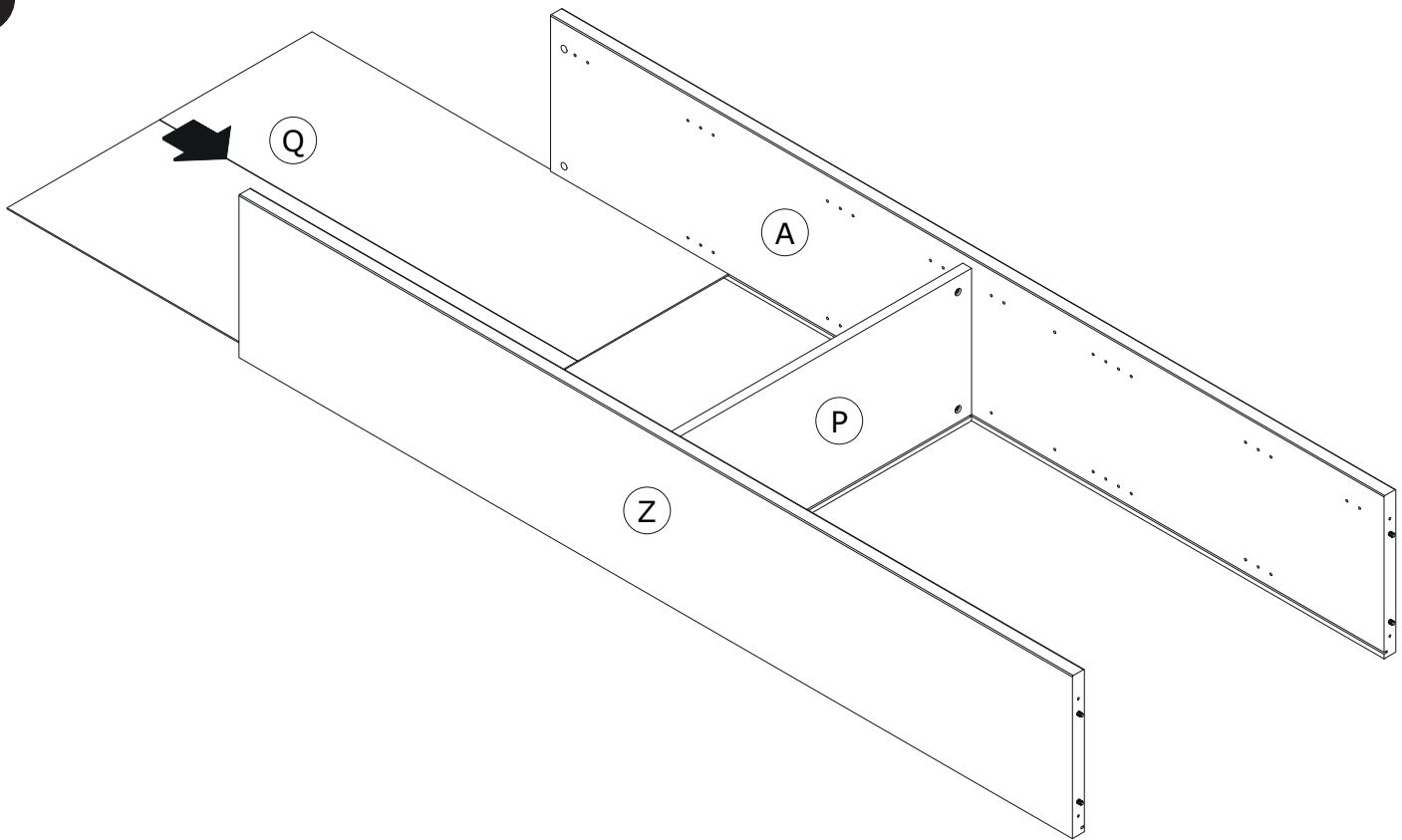
3



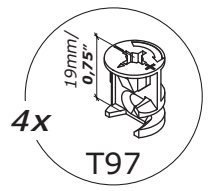
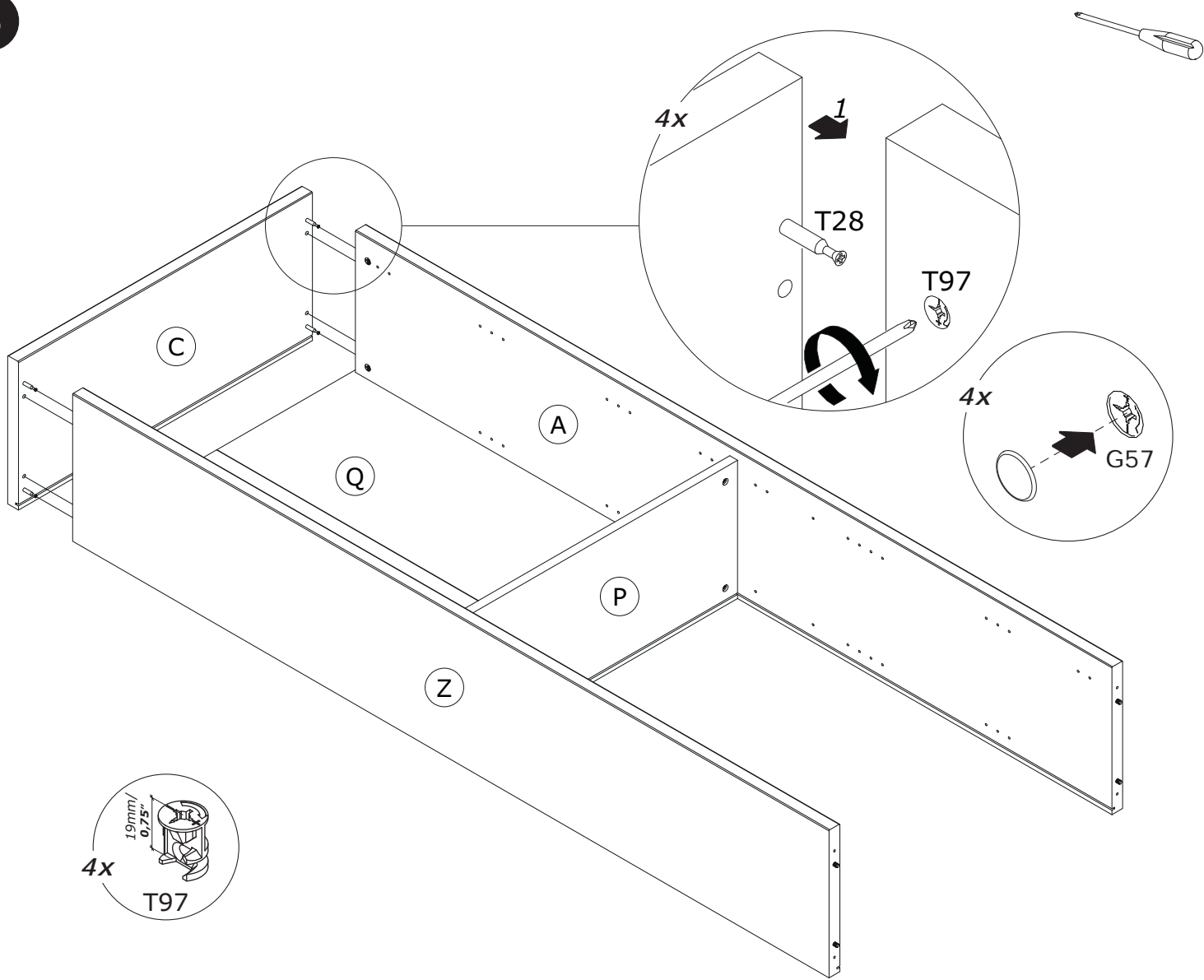
4



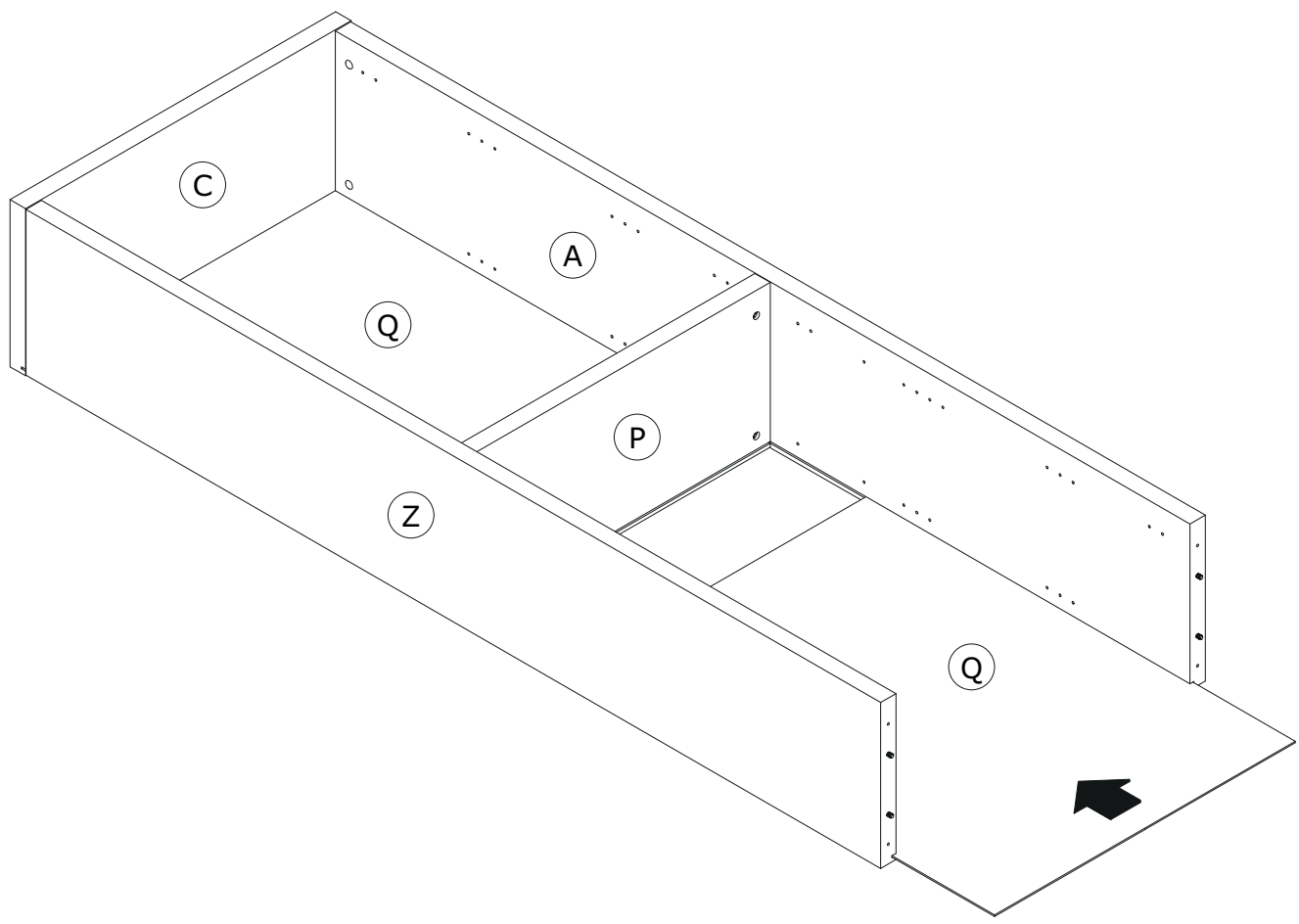
5



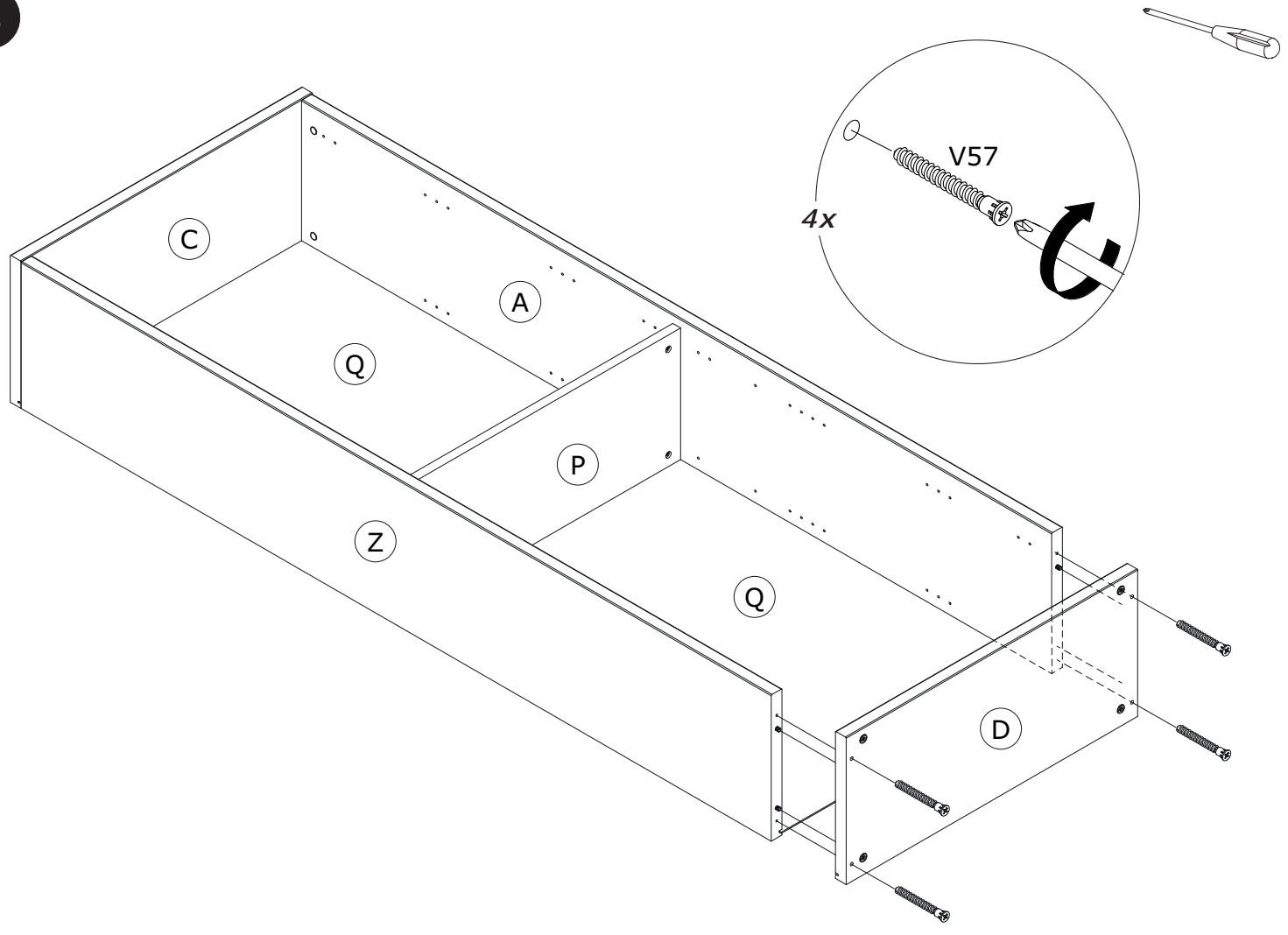
6



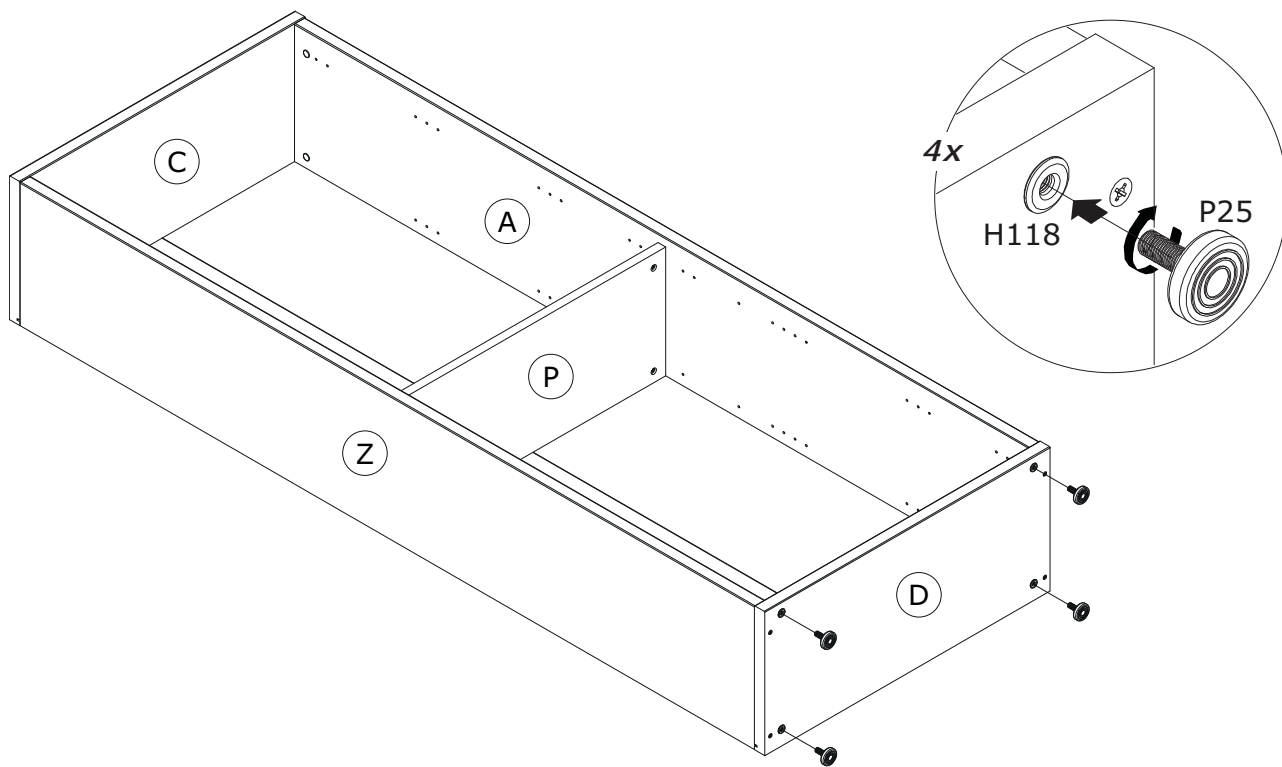
7



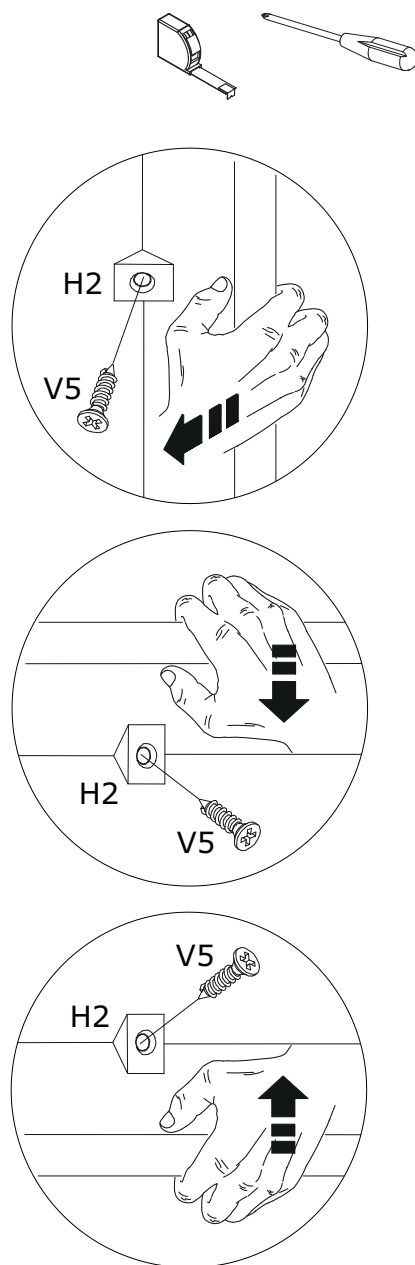
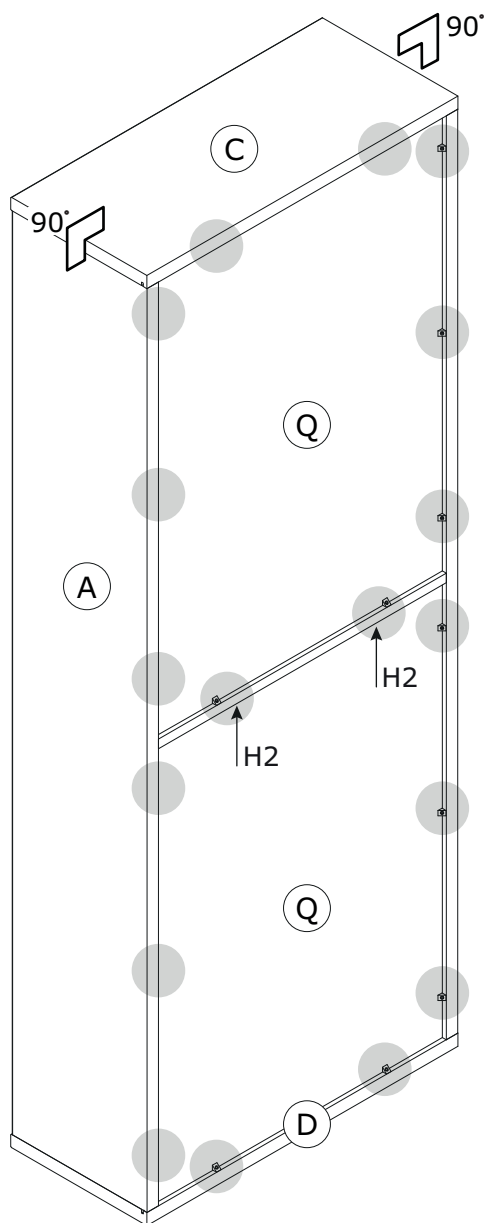
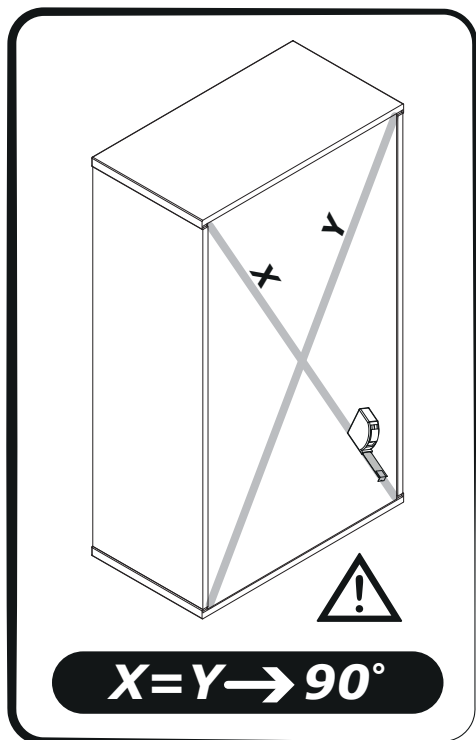
8

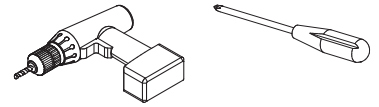


9



10





IT IS RECOMMENDED THAT THE ANTI-TIP KIT INCLUDED WITH THIS PRODUCT BE INSTALLED FOR ADDED SAFETY AND STABILITY.

IT IS ESSENTIAL TO USE WALL ANCHORS APPROPRIATE FOR YOUR WALL TYPE (I.E. PLASTER, DRYWALL, CONCRETE, ETC.), ALONG WITH APPROPRIATE SCREWS, FOR PROPER MOUNTING.

THE SCREWS INCLUDED IN THIS ANTI-TIP KIT MAY NOT BE SUITED FOR ALL WALL TYPES. MOUNTING TO WOOD STUDS IS RECOMMENDED.

CONSULT A QUALIFIED PROFESSIONAL OR YOUR LOCAL HARDWARE STORE FOR APPROPRIATE MOUNTING HARDWARE SUITED FOR YOUR SPECIFIC WALL MEDIUM.

