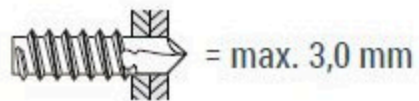
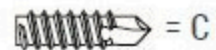


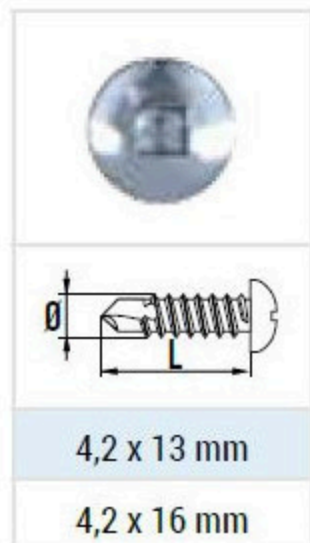


Ø 4,2 mm

M = No. 2



UPM/RPM/TR-MIN = 1800 - 2500



	CODE	P	D		CODE	P	D		CODE
	71801 42130	2,0 mm	10,0 mm		72801 42130	3,0 mm	12,0 mm		73801 42130
	71801 42160	2,0 mm	10,0 mm		72801 42160	3,0 mm	12,0 mm		73801 42160