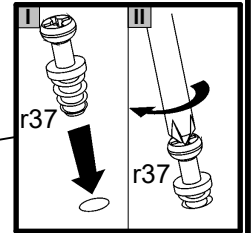
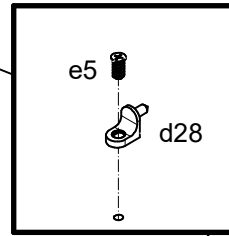
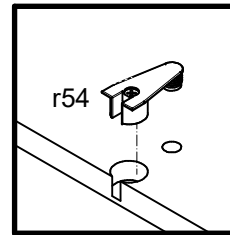
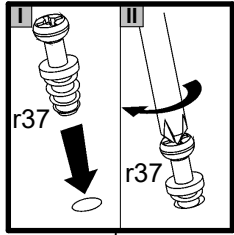
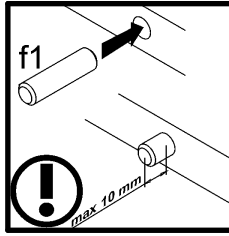


A	B	C (mm)			D
1	L37-002	2082	450	16	6/7
2	L37-003	2082	450	16	6/7
3	L37-004	1410	450	16	7/7
4	L37-005	1410	450	16	7/7
5	L37-016	904	220	16	4/7
6	L37-119	2248	565	16	1/7
7	L37-120	2248	565	16	1/7
8	L37-121	2248	565	16	2/7
9	L37-122	2248	565	16	2/7
10	L37-310	891	545	22	3/7
11	L37-311	965	549	22	3/7
12	L37-312	892	549	22	3/7
13	L37-313	965	565	16	1/7
14	L37-314	965	565	16	4/7
15	L37-315	892	565	16	2/7
16	L37-316	965	565	16	1/7
17	L37-317	965	565	16	4/7
18	L37-318	892	565	16	2/7
19	L37-571	2250	80	25	5/7
20	L37-572	1444	80	25	5/7
21	L37-578	1444	80	25	5/7
22	L37-903	2226	899	2,5	1/7
23	L37-904	2226	973	2,5	2/7
24	L37-905	865	505	2,5	4/7
25	ZS3-5601	784	140	12	4/7
26	ZS4-533	500	120	12	4/7
27	ZS4-534	500	120	12	4/7
28	dr-960	960	30	15	4/7



8x a28	14x a68	8x b15	14x b35	9x c34412	8x d1	24x d20	18x d28	16x e2	18x e3	18x e5	18x e19	24x e50
52x f1	6x f9	12x f25	8x f41	11x k43	36x l2	4x n158	4x p1	3x p25	3x p35	18x p38	44x p51	18x p78
42x r1	6x r10	12x r15	36x r37	42x r42	36x r54	27x s2	3x t34	3x w26/CL	3x w26/CR	3x w26/DL	3x w26/DR	

1 



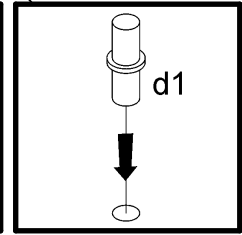
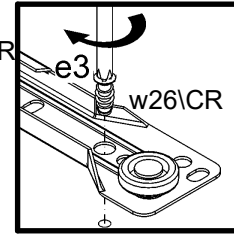
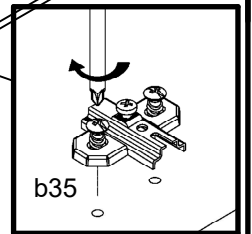
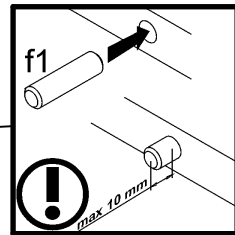
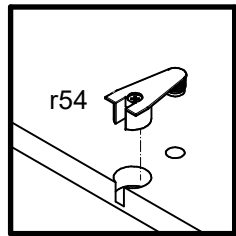
7

16

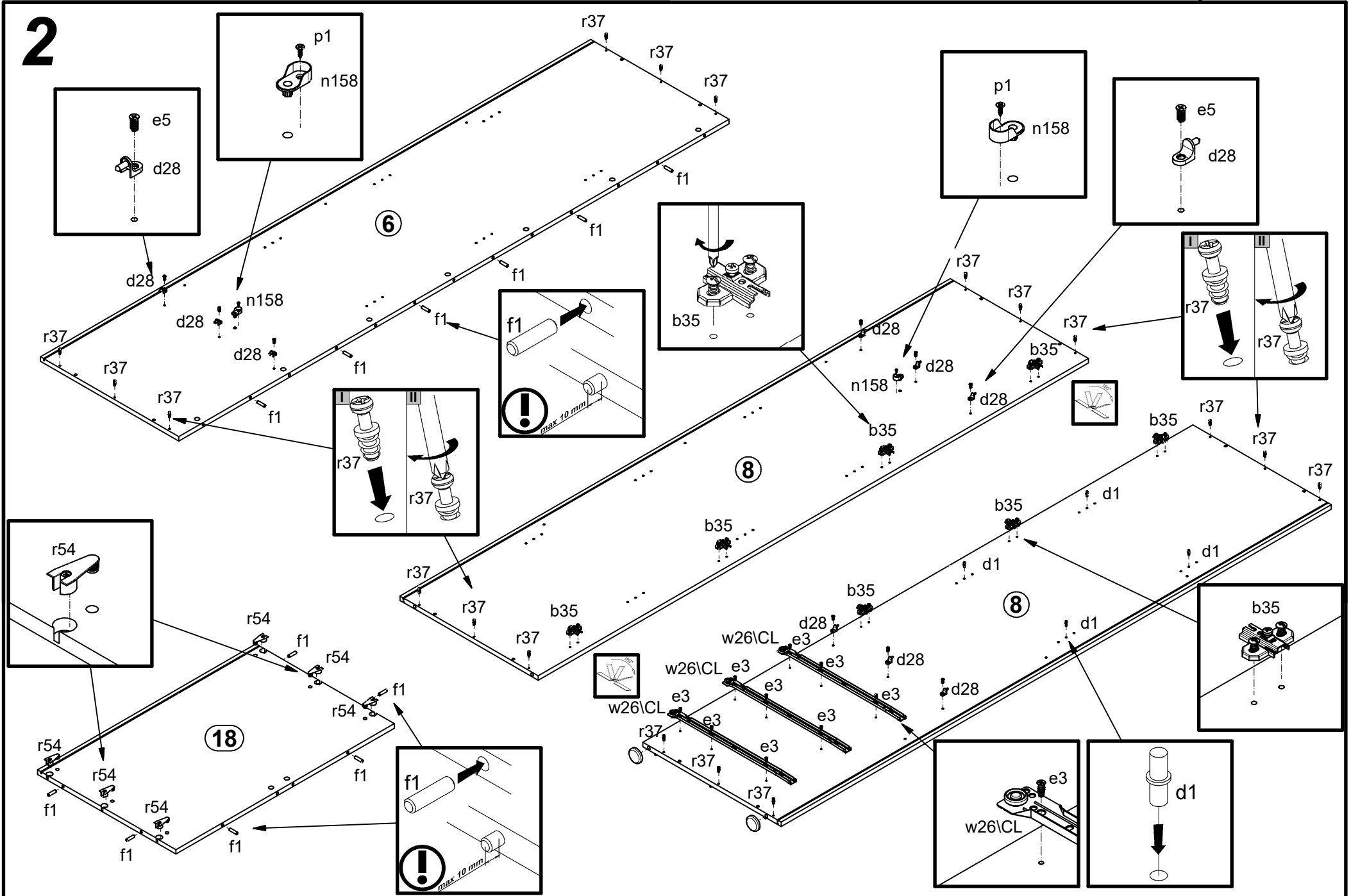
9

9

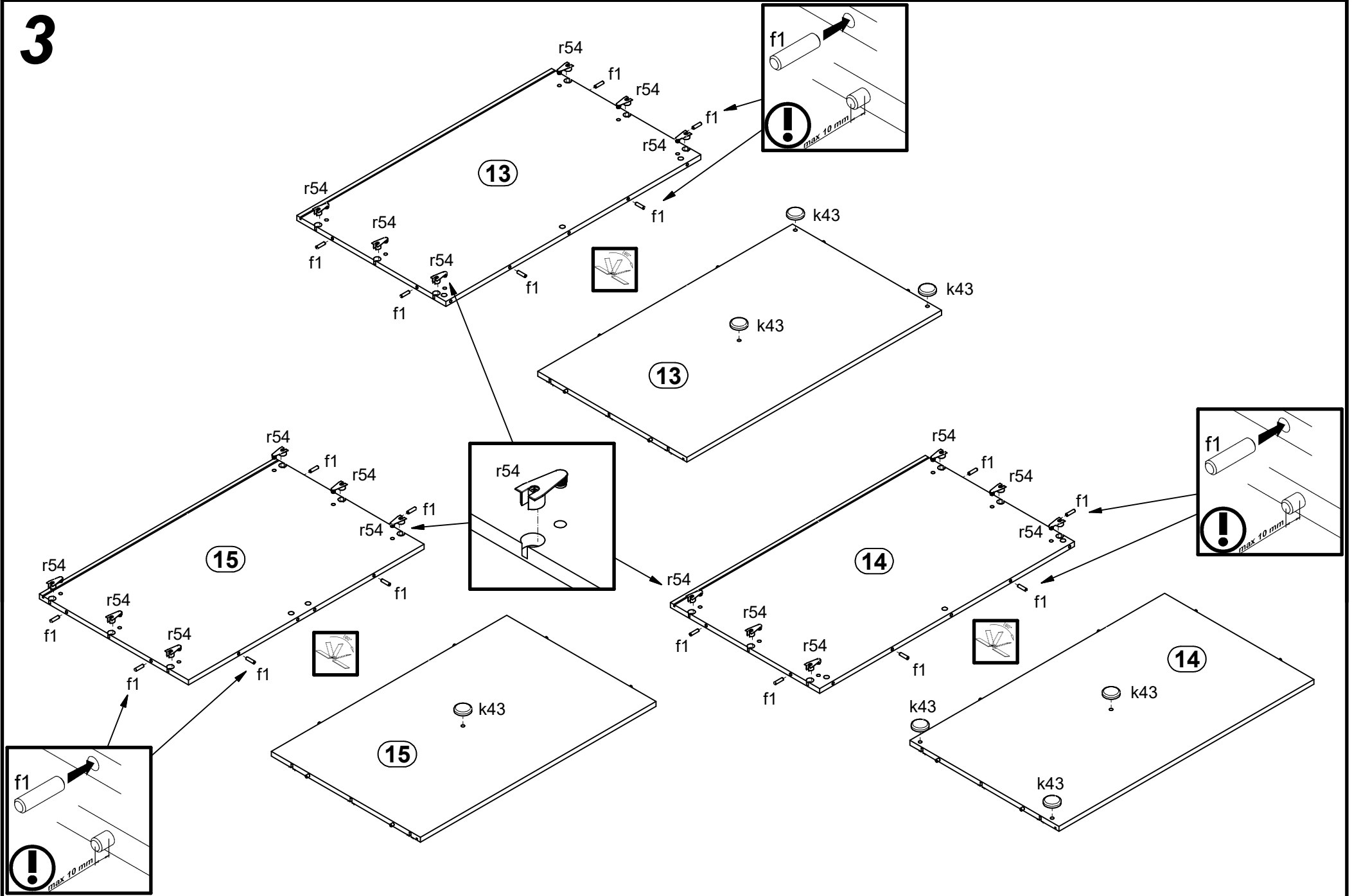
17



2

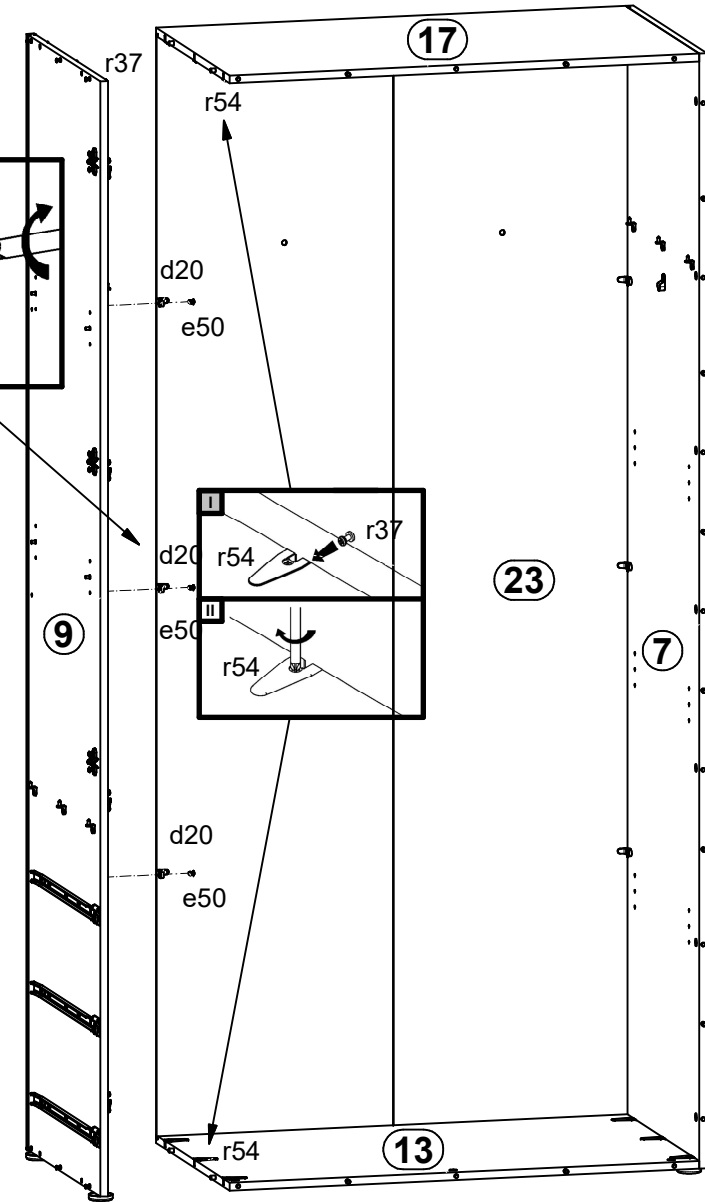
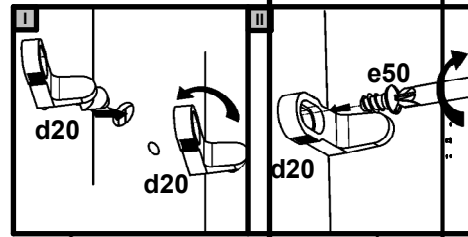
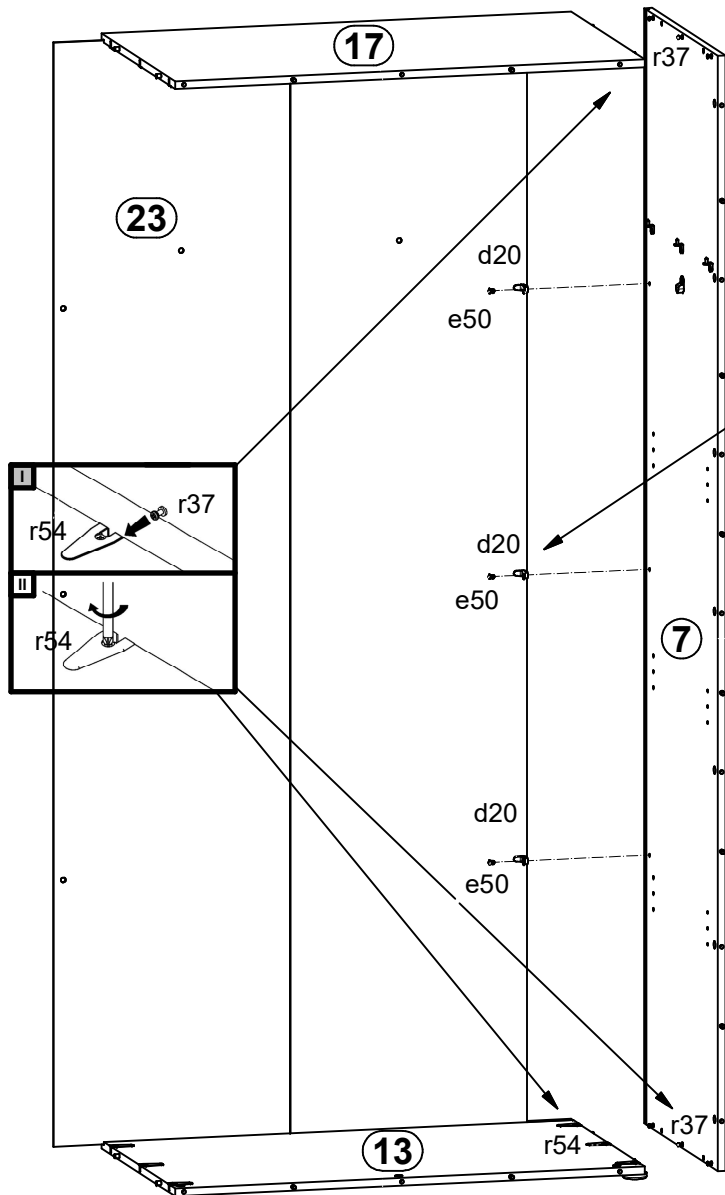


3

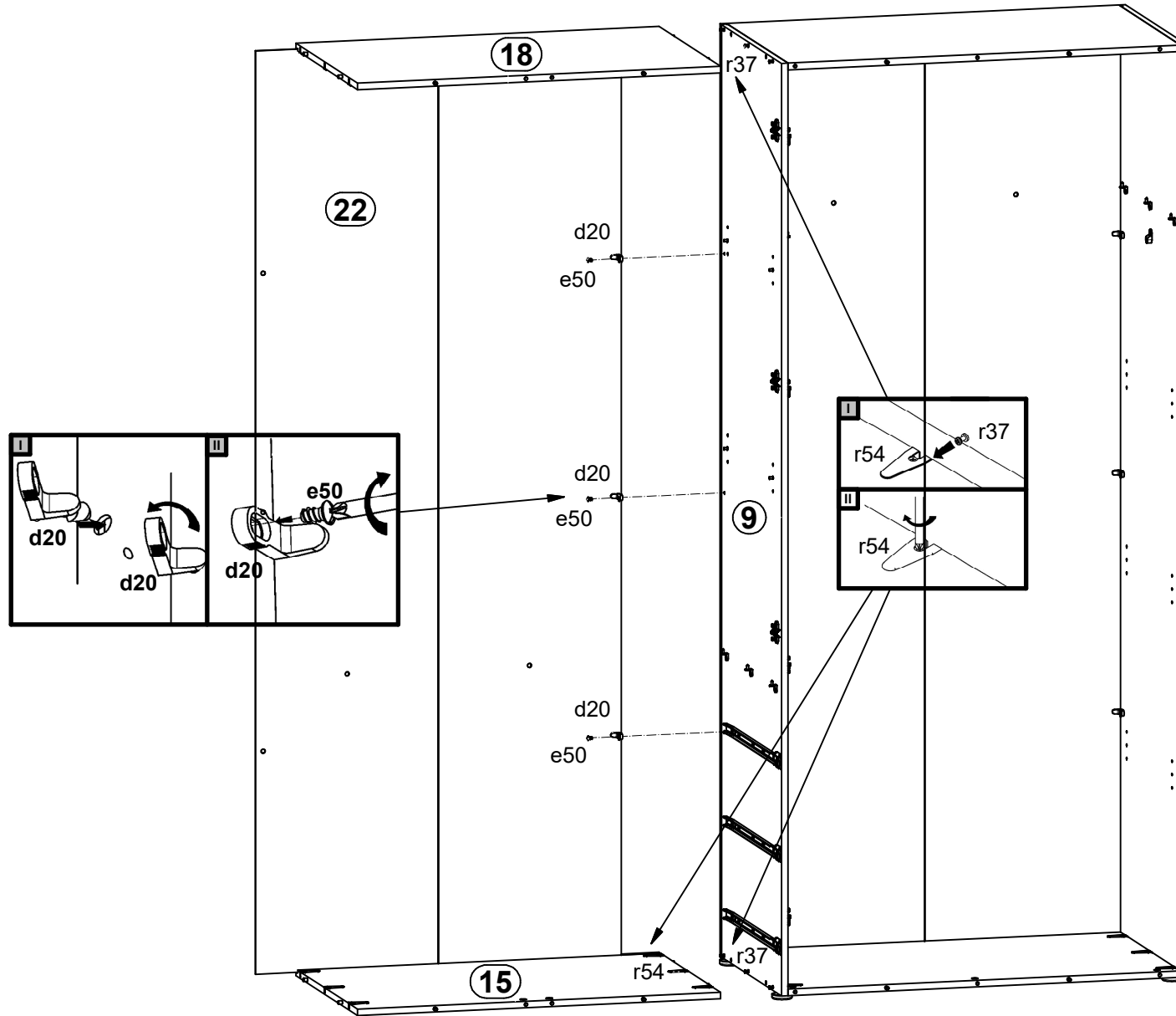


4 

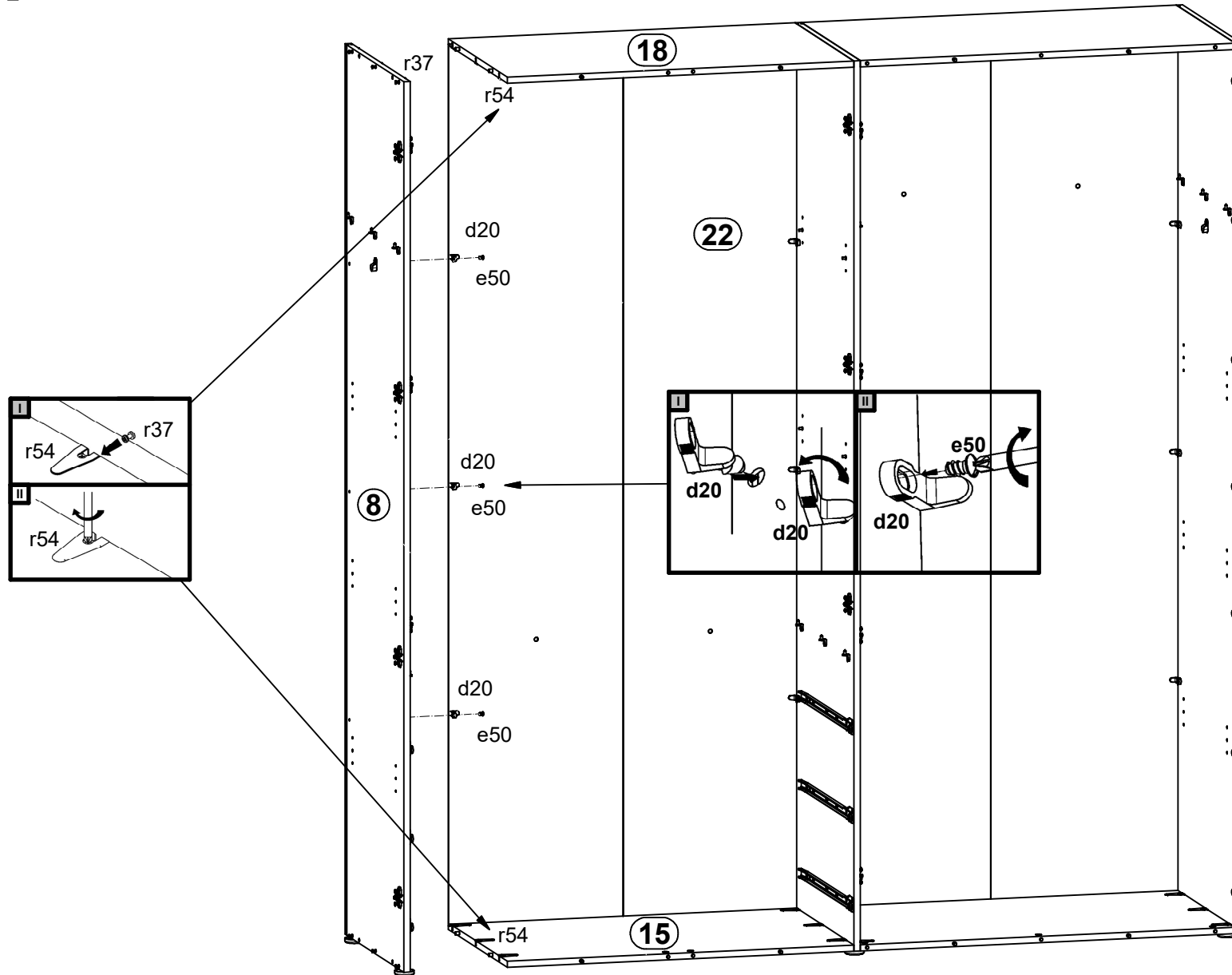
5



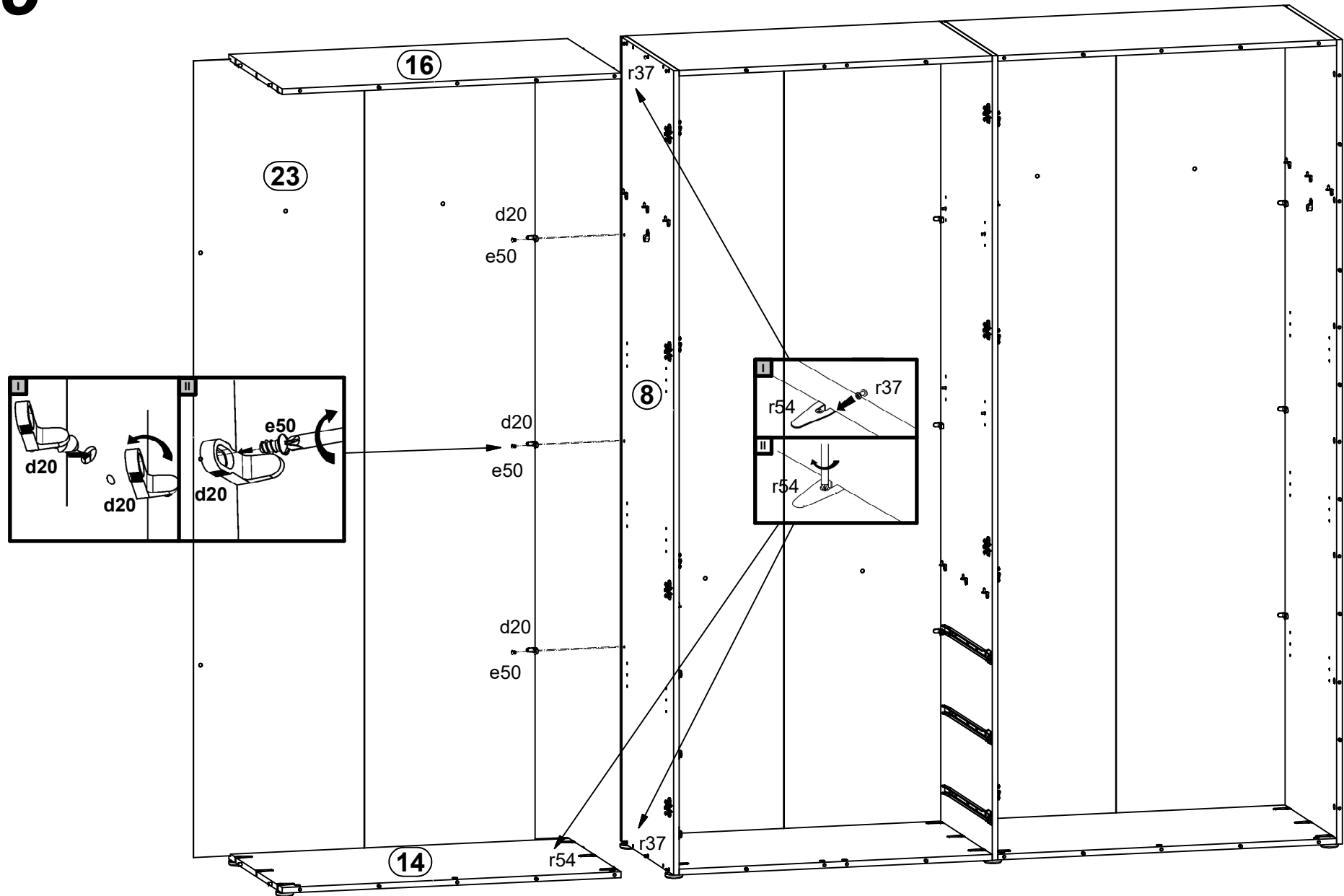
6



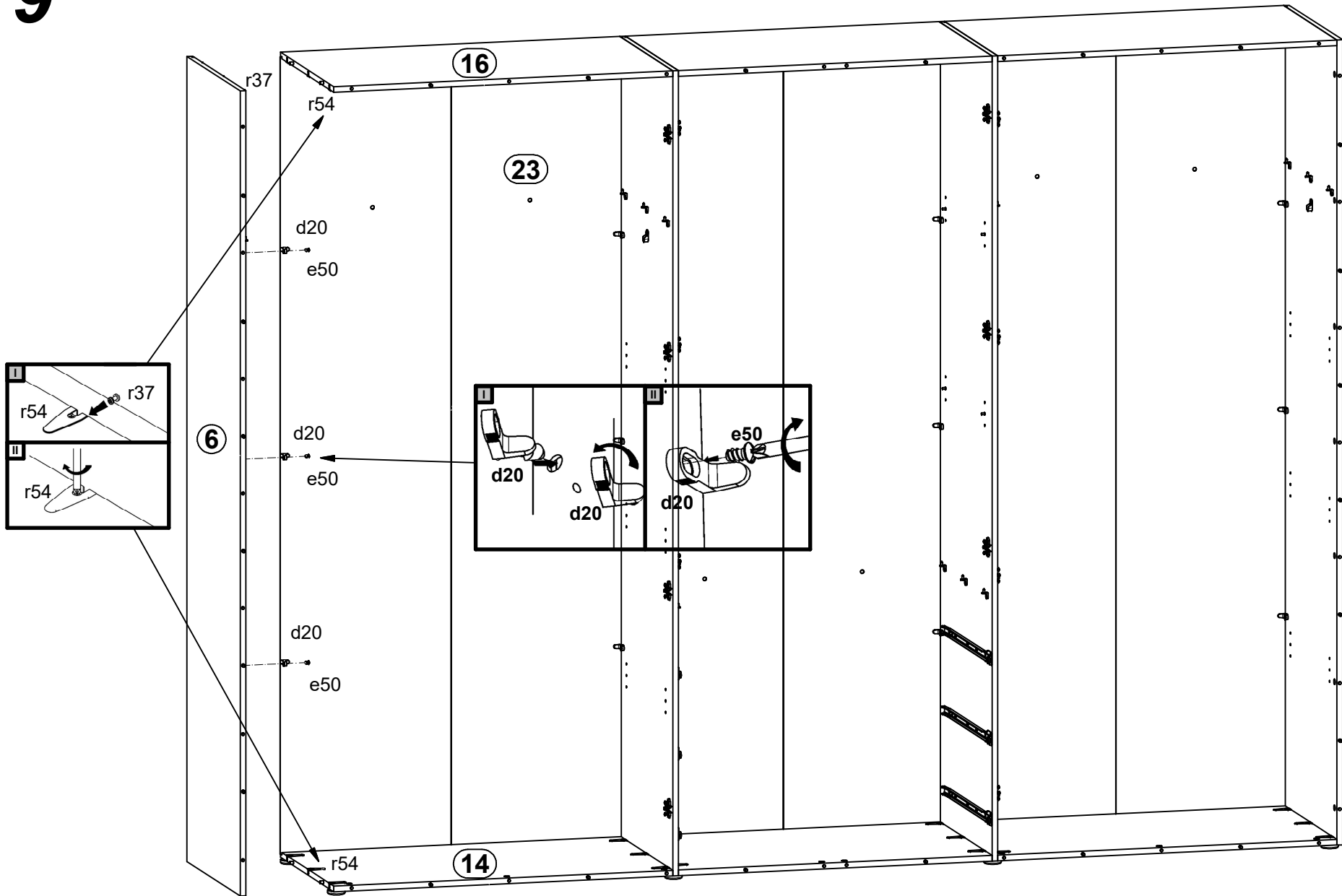
7



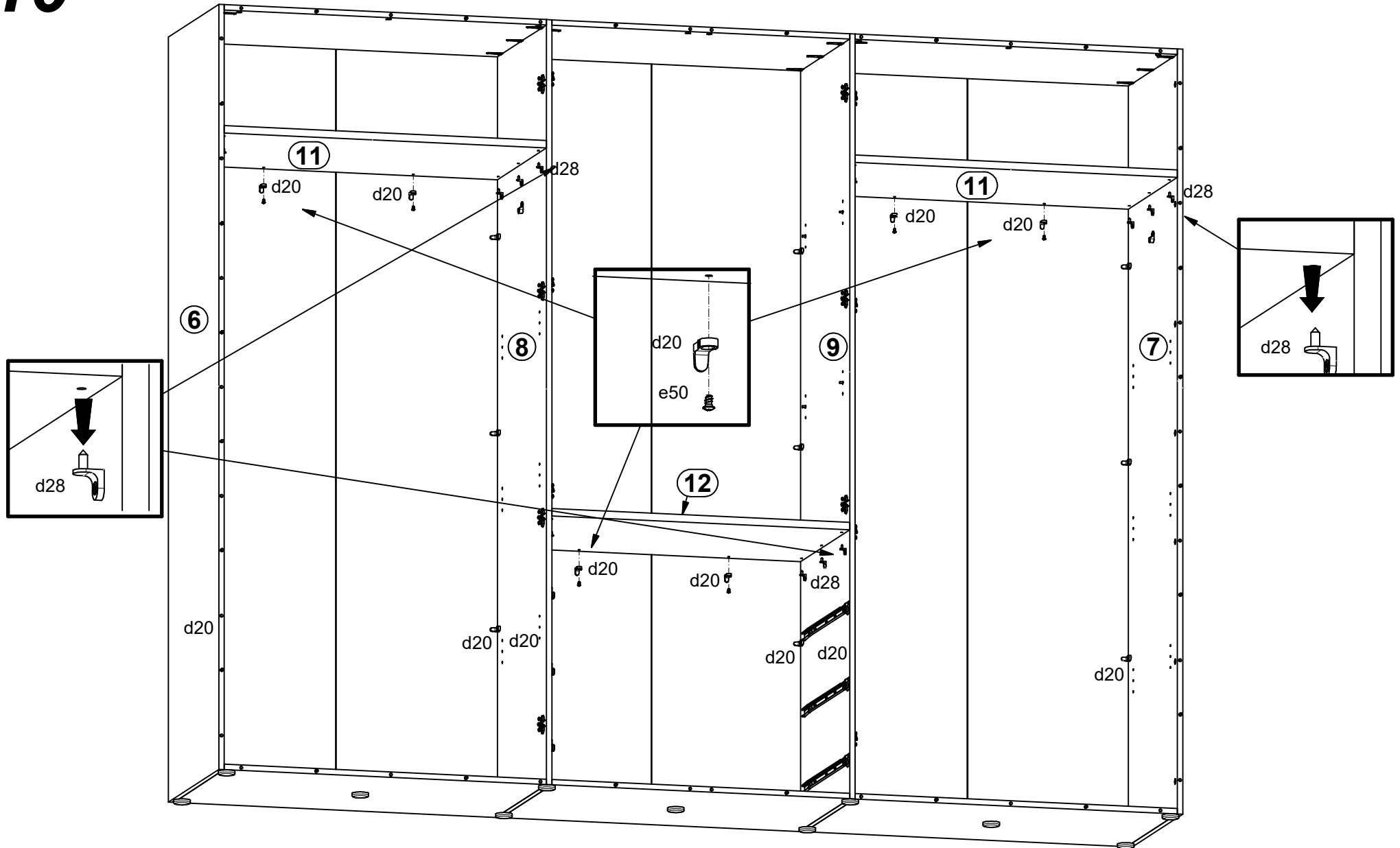
8



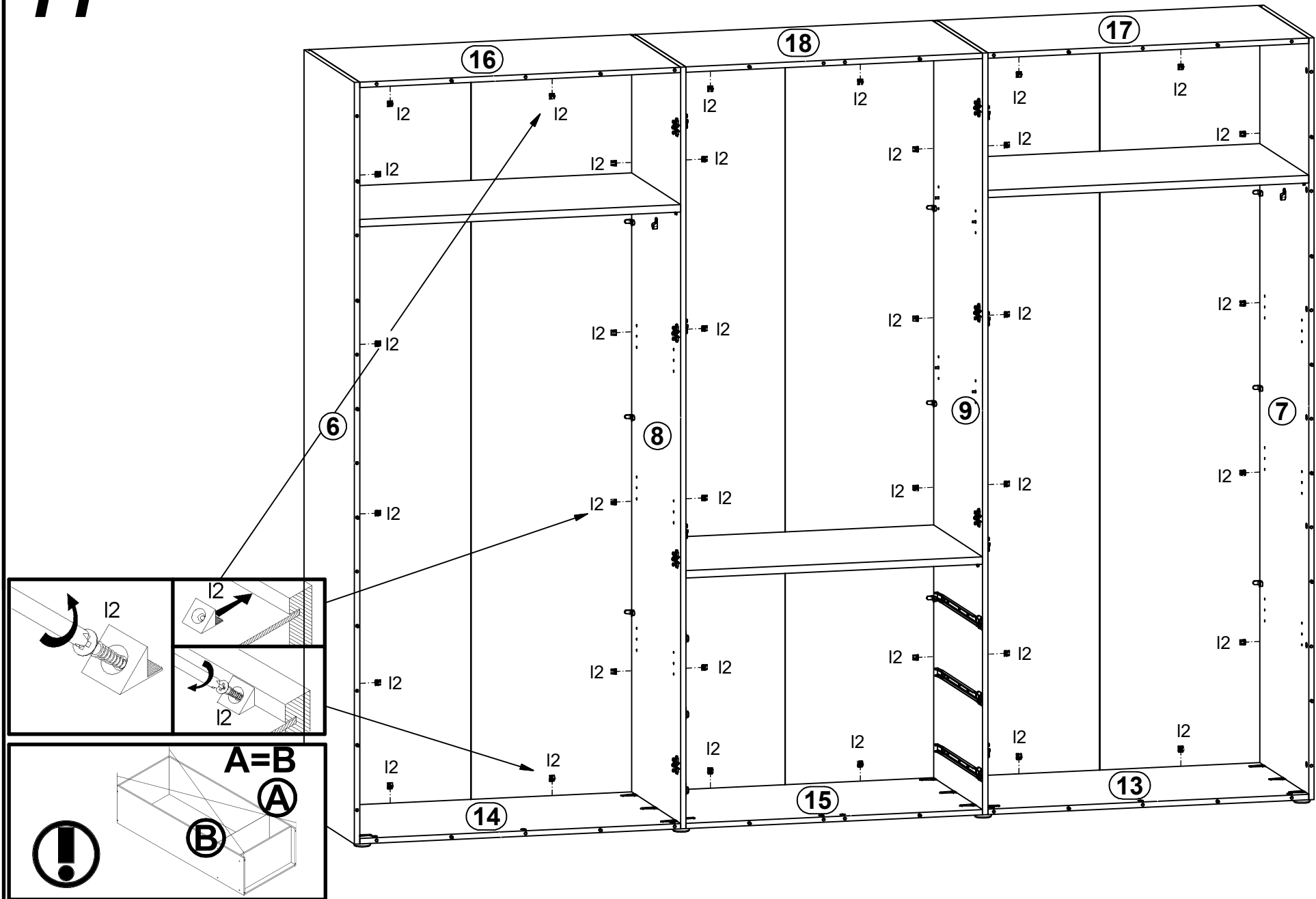
9



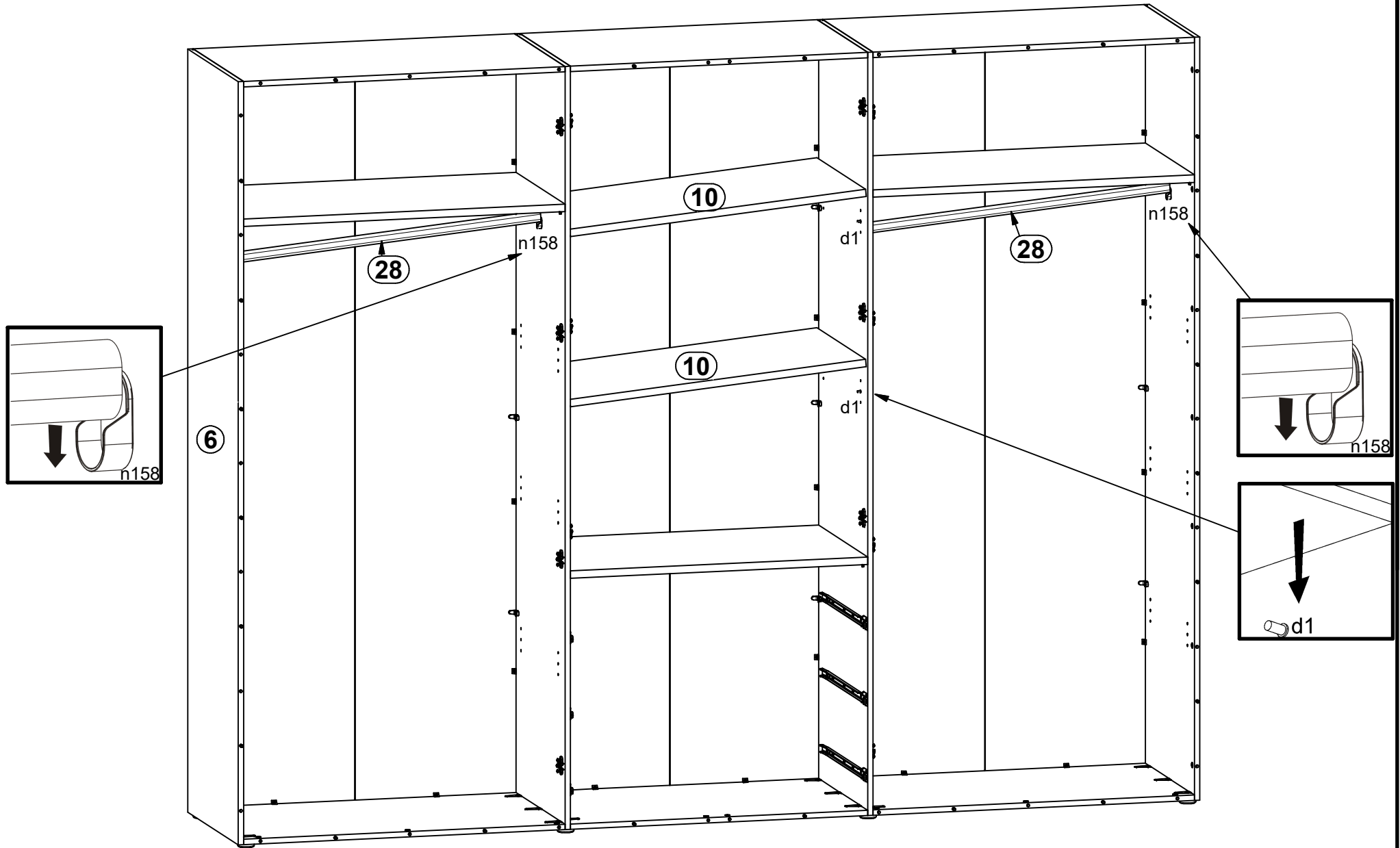
10



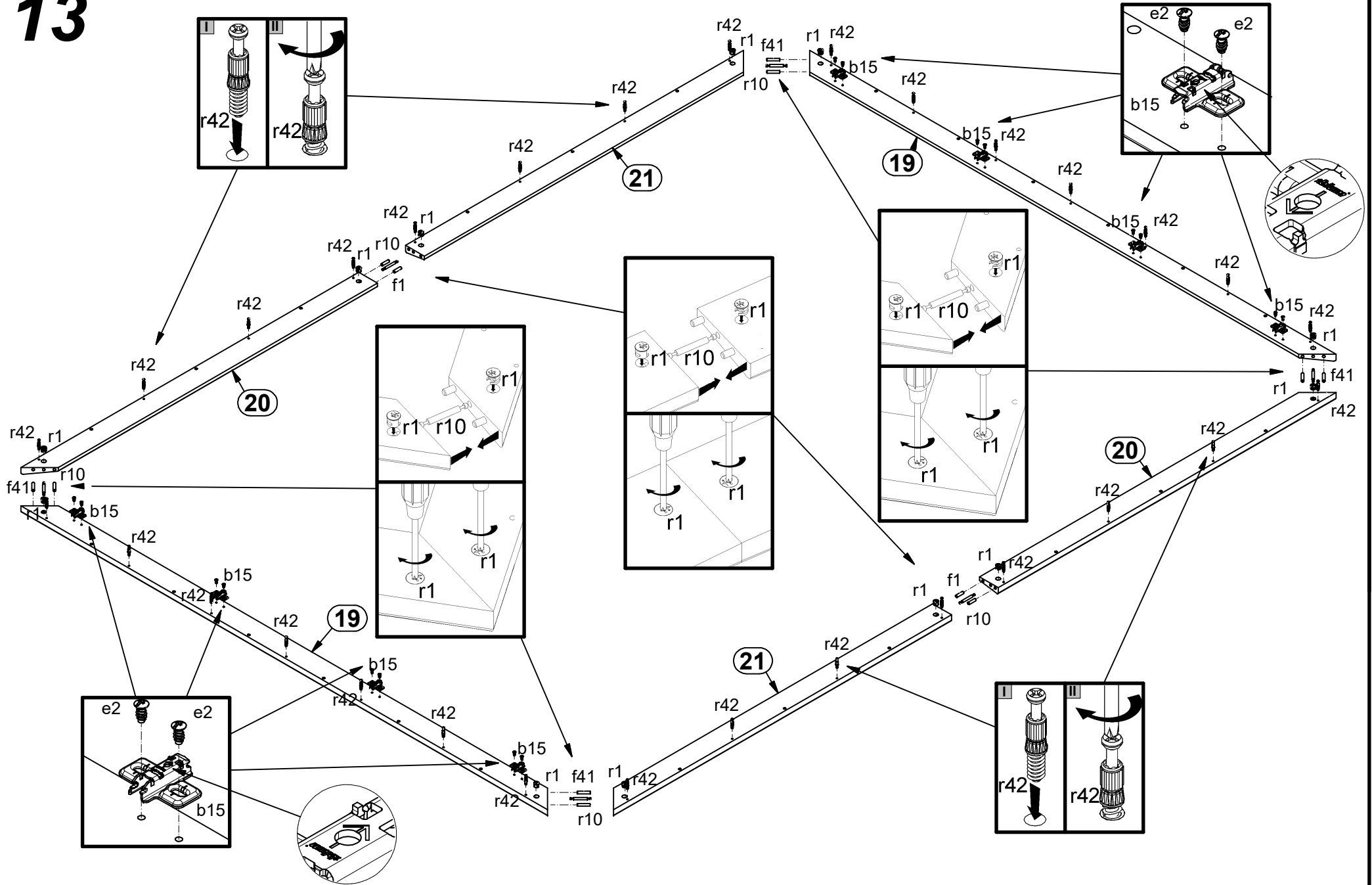
11



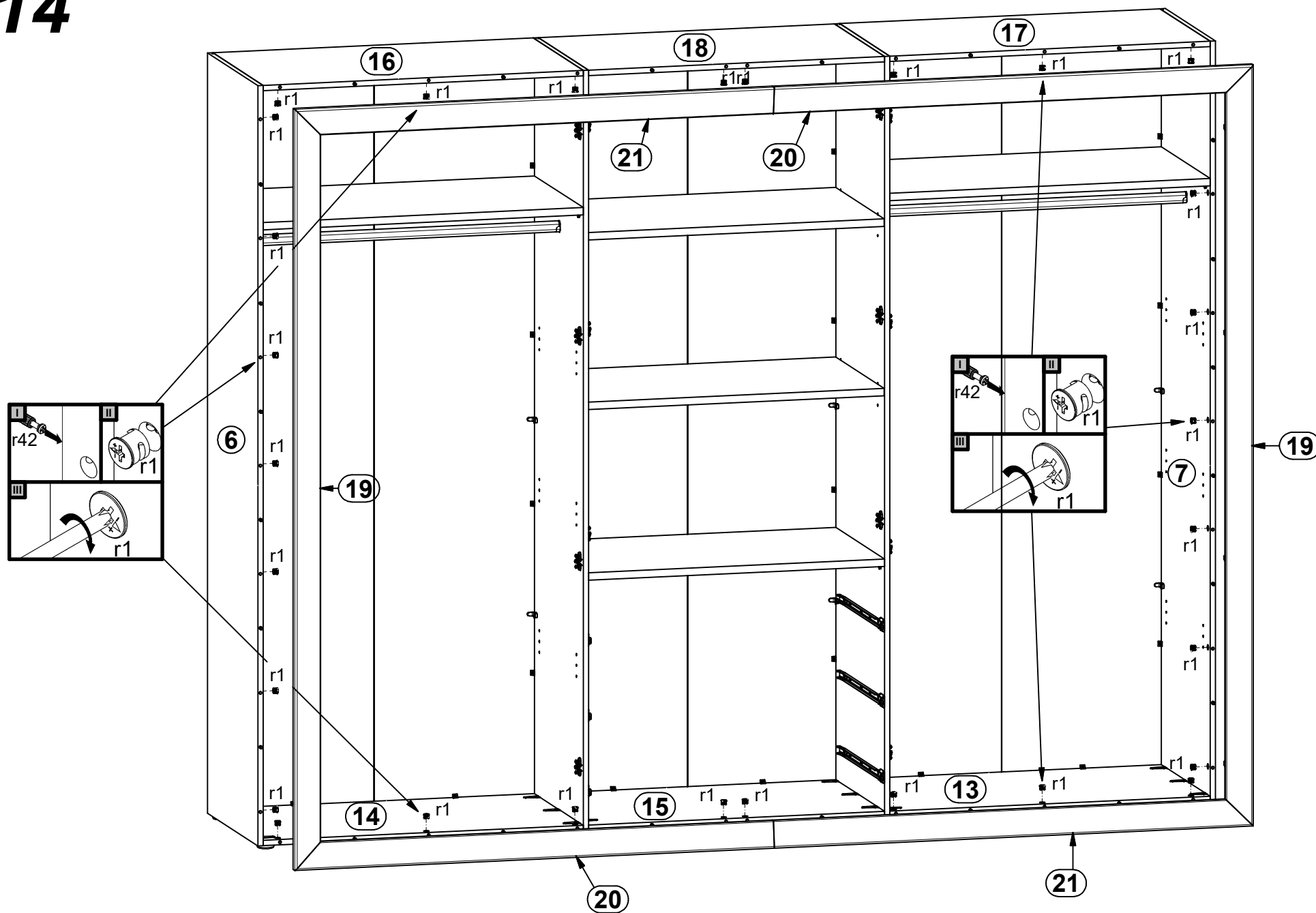
12



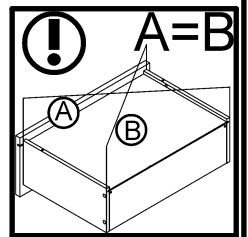
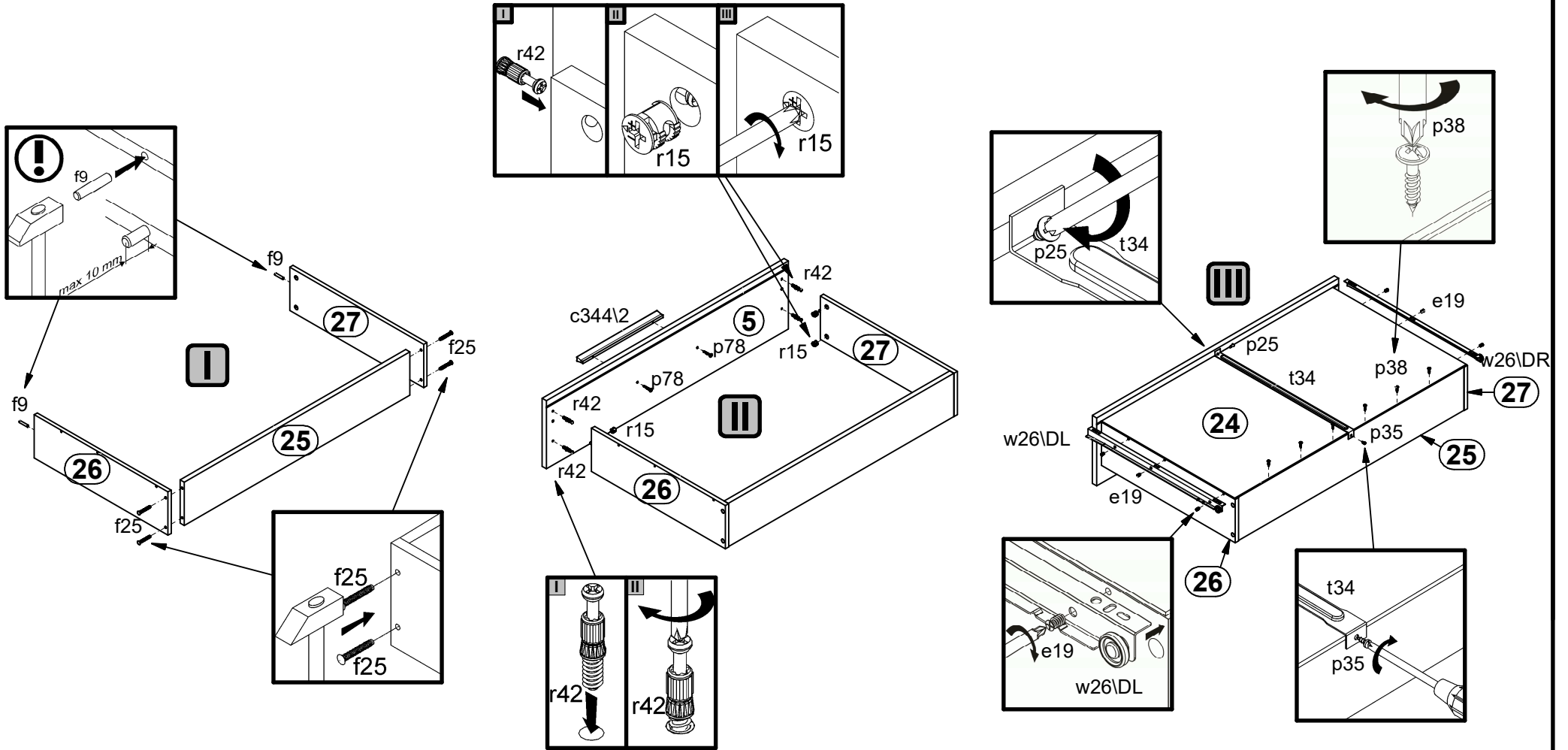
13



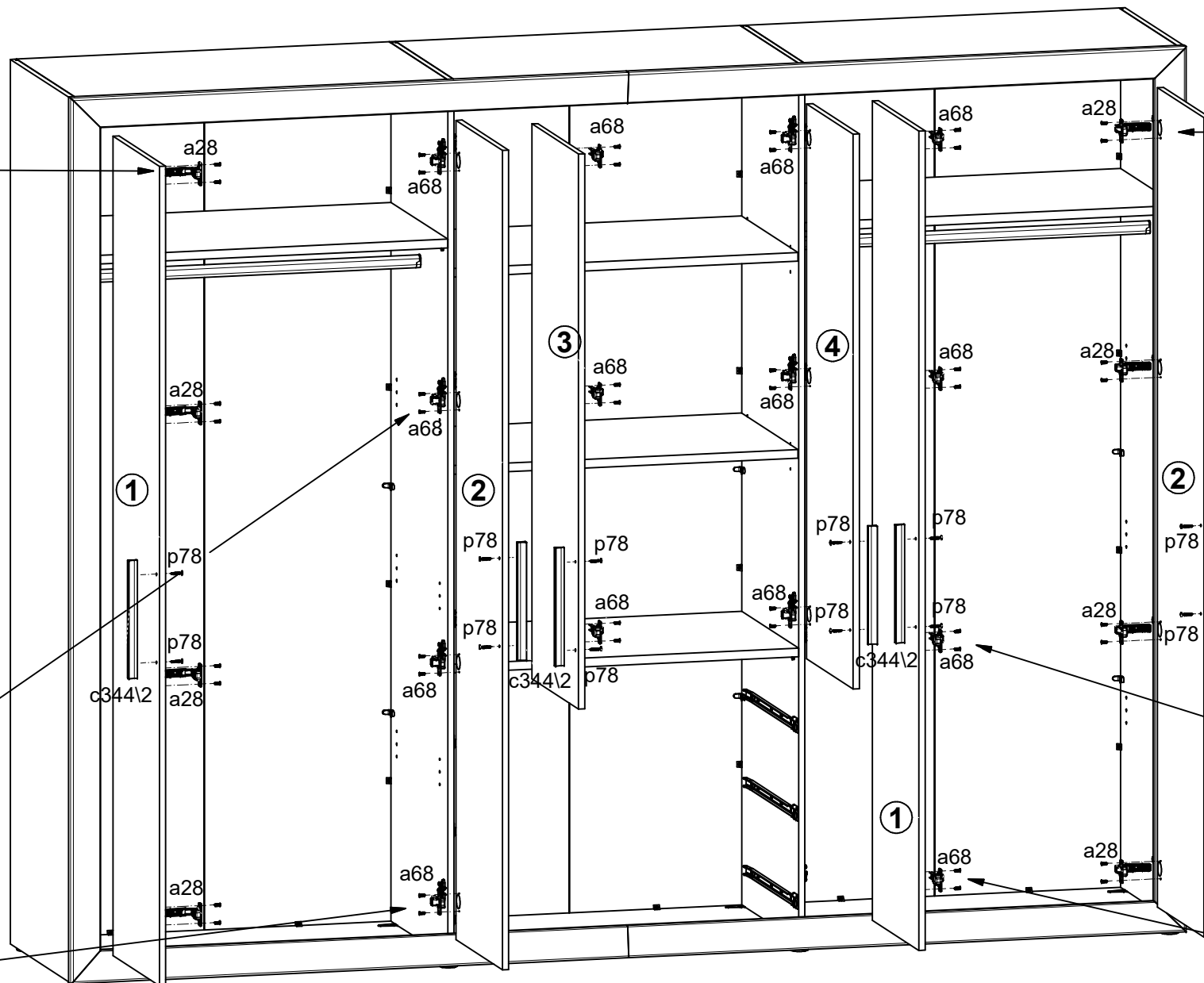
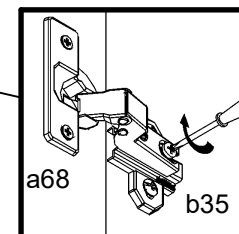
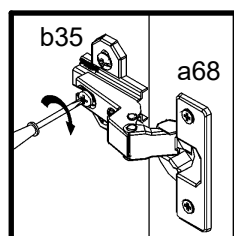
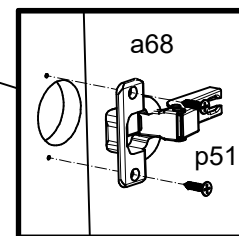
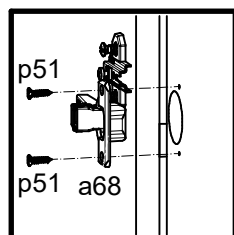
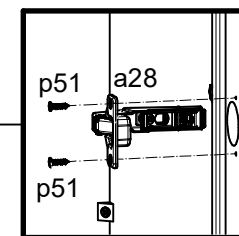
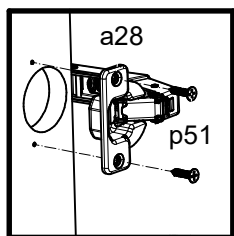
14



15



16



17

