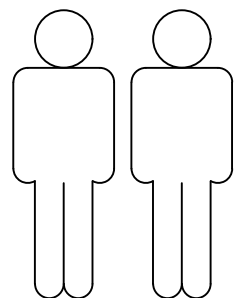
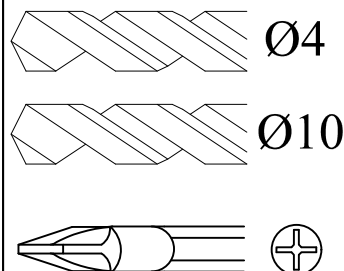
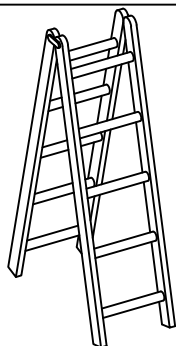
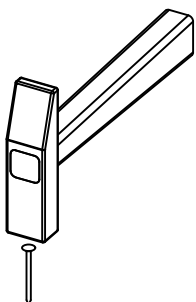
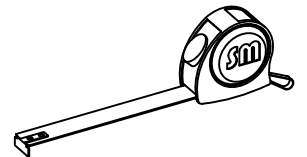
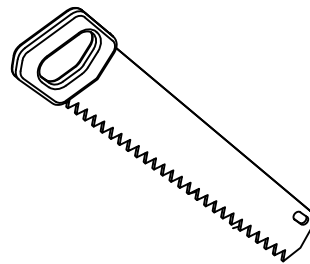
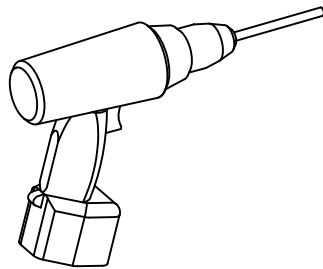
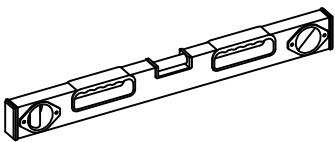
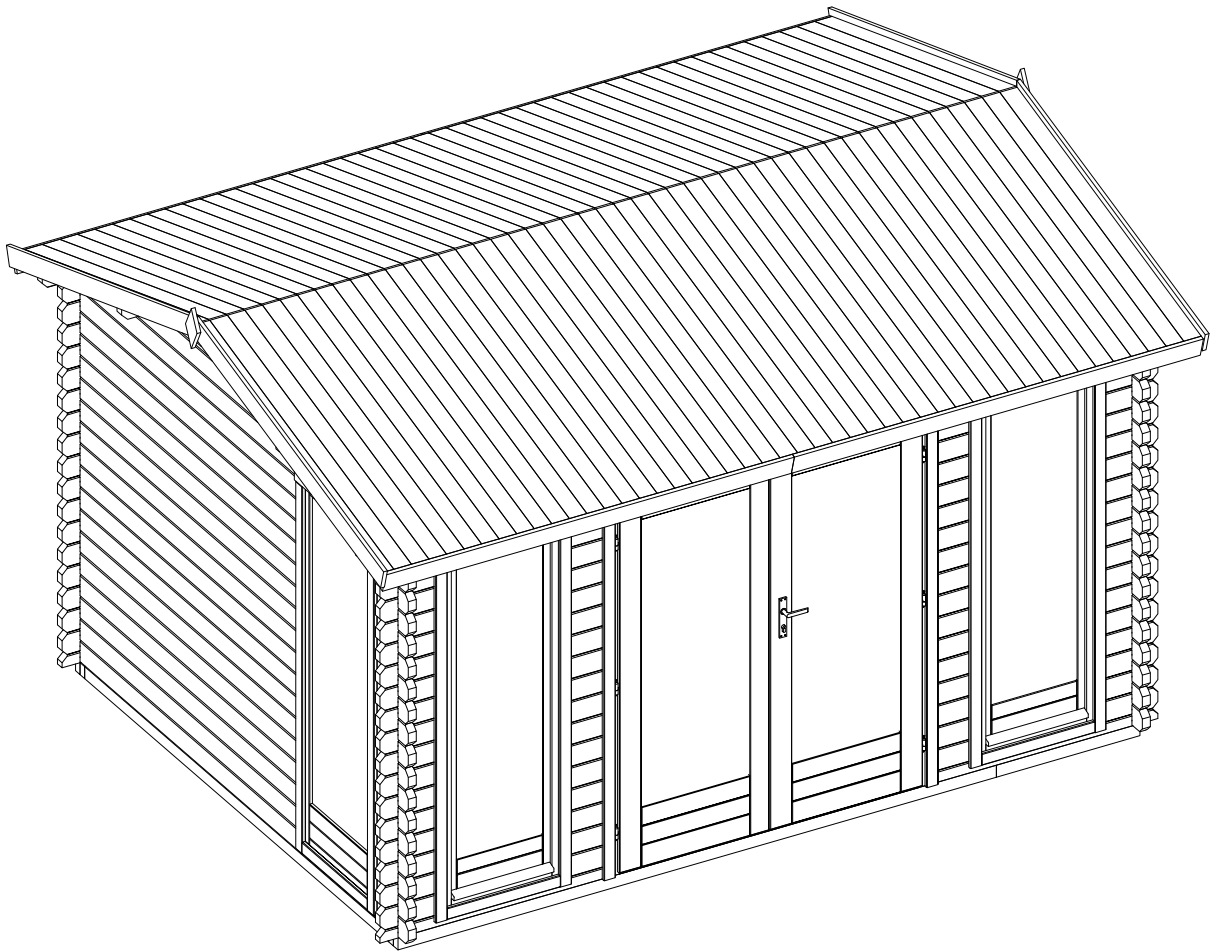


→||←40mm

3,9 x 2,98

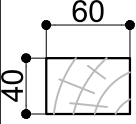
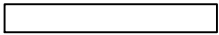
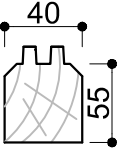
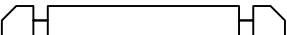
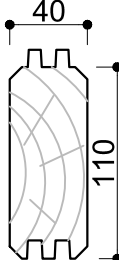

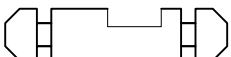
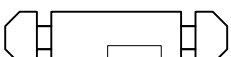
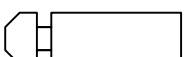
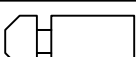

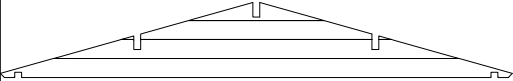
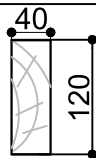
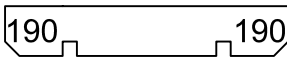


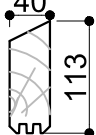

**40040**



→||←40mm

## SPECIFICATION 3,9 x 2,98

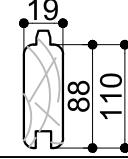
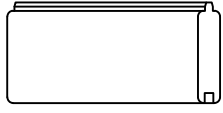
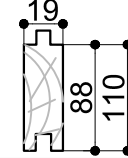
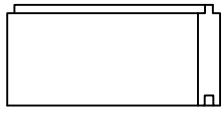
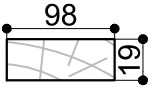
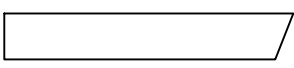
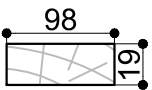
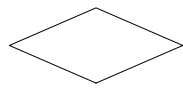
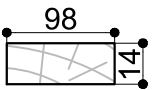
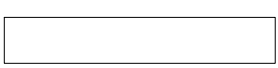
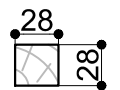
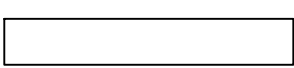
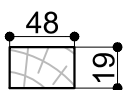
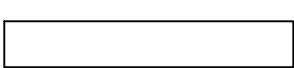
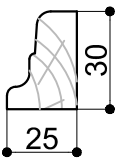
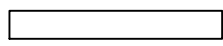
40040

Dim.	Skizze	Pos.	Länge (mm)	Stck.	Name	Ref.
		①	3000	4	Fundamentbalken Lambourdes Foundation beam	283039
		②	720	4		283081
		③	2640	11		283085
		④	3900	1	Zurück Brett Madrier arrière Back board	400013
		⑤	1143	2	Front Brett Madrier avant Front board	400010
		⑥	3900	17	Front/Zurück Brett Madrier avant/arrière Front/Back board	400014
		⑦a	2980	2	Seiten Brett Madrier latéral Side board	400321
		⑦b	2980	2	Seiten Brett Madrier latéral Side board	400322
		⑦	2060	32	Seiten Brett Madrier latéral Side board	400260
		⑧	285	66	Front/Seiten Brett Madrier latéral/arrière Front/Side board	400039
		⑨	220	34	Front Brett Madrier avant Front board	400256
	⑩	2980	2	Seiten Brett Madrier latéral Side board	402022	
		⑪	4100	1	Sparren Panne faîtière Rafters	404013
		⑫	4100	2	Sparren Panne faîtière Rafters	404014
		⑬	4100	2	Sparren Panne faîtière Rafters	401010

→||←40mm

## SPECIFICATION 3,9 x 2,98

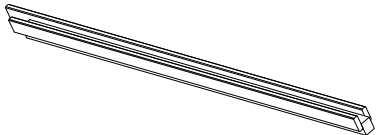
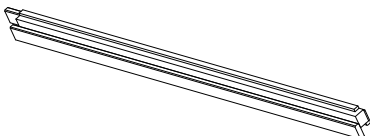


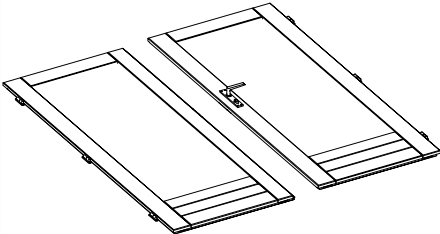
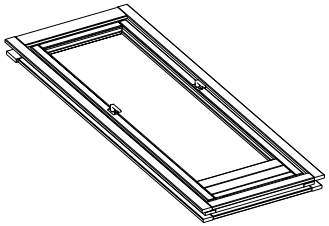
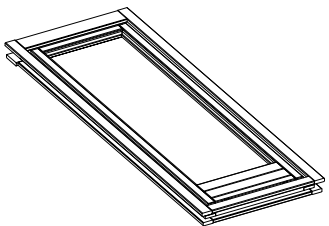
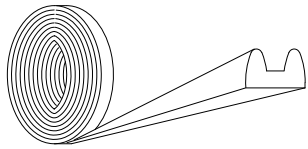
**40040**

		⑭	1660	94 (76)	Dach Bretter Madrier de toit Roof board	284501
		⑮	3630	31 (25)	Boden Bretter Plancher bois Floor board	283514
		⑯	1680	4	Wind Brett Planche de rive Wind board	285001
		⑰	200	2	Decor	286990
		⑱	2050	4	Wind Brett Planche de rive Wind board	286049
		⑲	2050	4	Wind Brett Planche de rive Wind board	286050
		⑳	1680	4	Wind Brett Planche de rive Wind board	286501
		㉑	3640	1		283274
		㉒	1900	2		283228
		㉓	600	2		283268

→||←40mm

## SPECIFICATION 3,9 x 2,98

40040

	<b>TR1</b>	1973	1	Türrahmen links Cadre de porte gauche Door frame left	409224
	<b>TR2</b>	1973	1	Türrahmen rechts Cadre de porte droite Door frame right	409225
	<b>TR3</b>	1700	1	Über Türrahmen Montant supérieur Door frame top	409226
	<b>TR4</b>	1500	1	Türstufe Latte de finition bas Door frame bottom	409227
	<b>T1</b>	1850x 765	1	Tür Porte Doors	289020 T1
	<b>T2</b>	1850x 765	1		289020 T2
	<b>F1</b>	1955x 700	2	Fenster Fenêtre Window	409111
	<b>F2</b>	1955x 700	2	Fenster Fenêtre Window	409112
		16,2m	1	Dichtgummi étanchéité en caoutchouc sealing rubber	

→ || ← 40mm

SPECIFICATION 3,9 x 2,98

**40040**

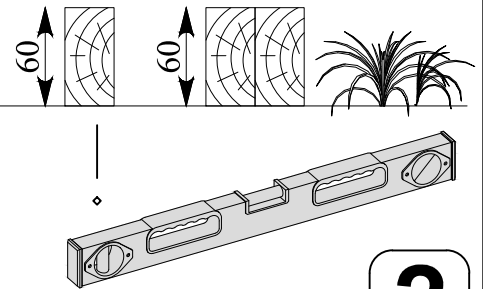
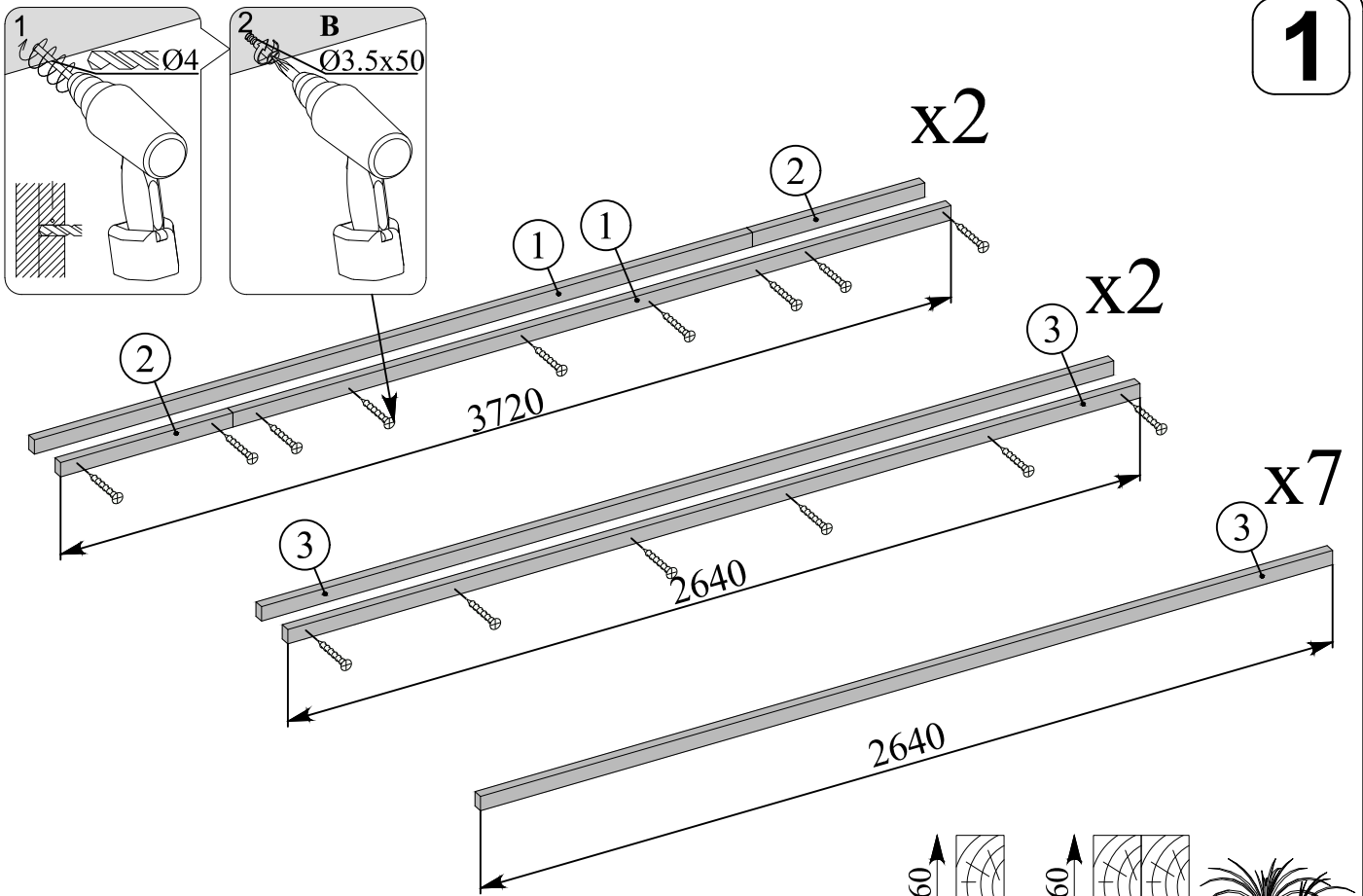
	Pos.	Dim	Stck.			Skizze	Stck.		
	A	Ø4.5 x 100	4				6		
	B	Ø3.5 x 50	30						
	C	Ø3.5 x 40	110						
	D	Ø5.0 x 120	18						
				Skizze	Stck.	Skizze	Stck.		
	C	Ø2.0 x 40	300			1		2	
	D	Ø2.0 x 50	300						
				Skizze	Stck.	Skizze	Stck.		
						2			4

→||←40mm

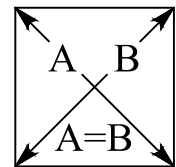
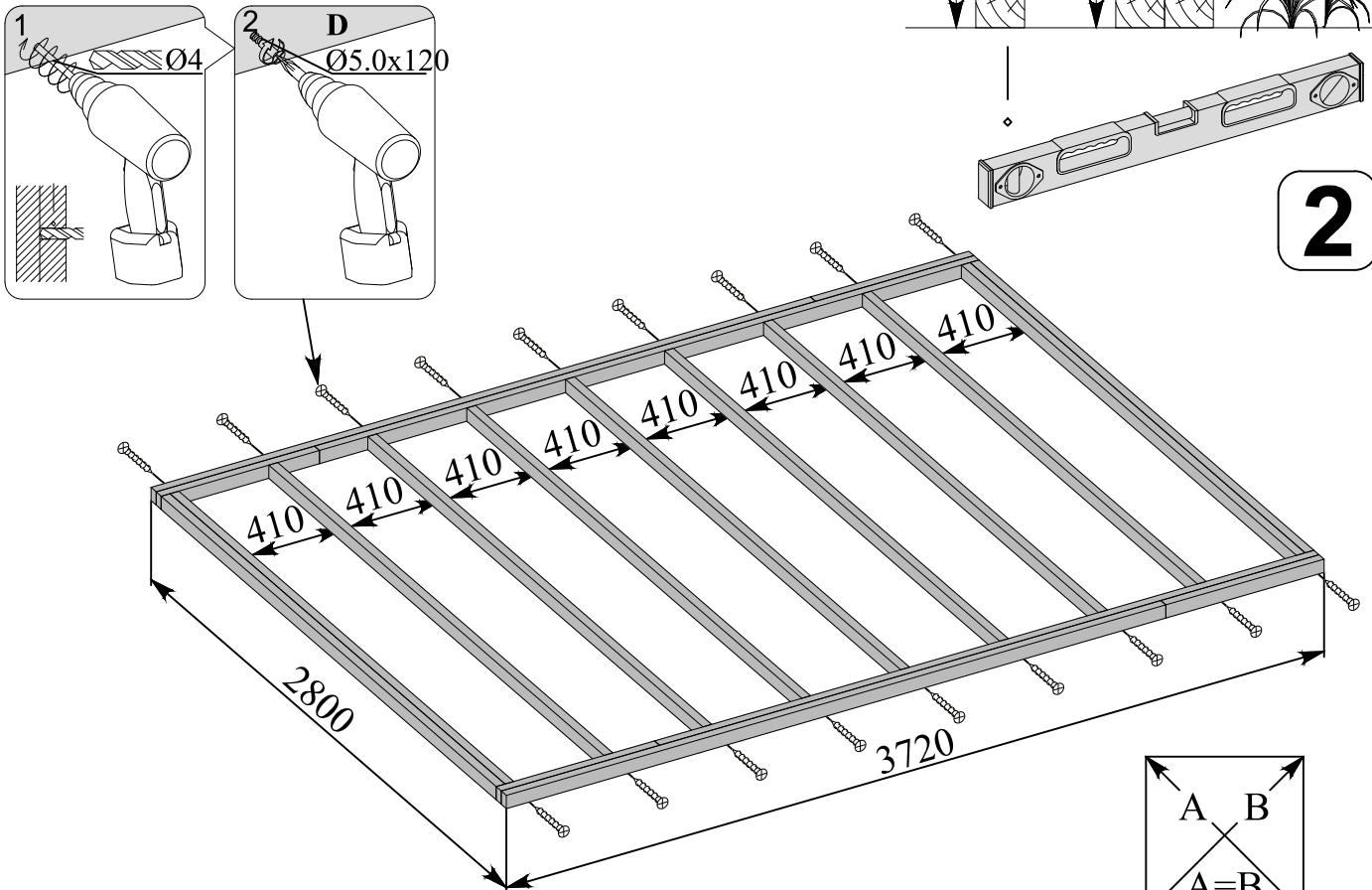
3,9 x 2,98

**40040**

**1**



**2**



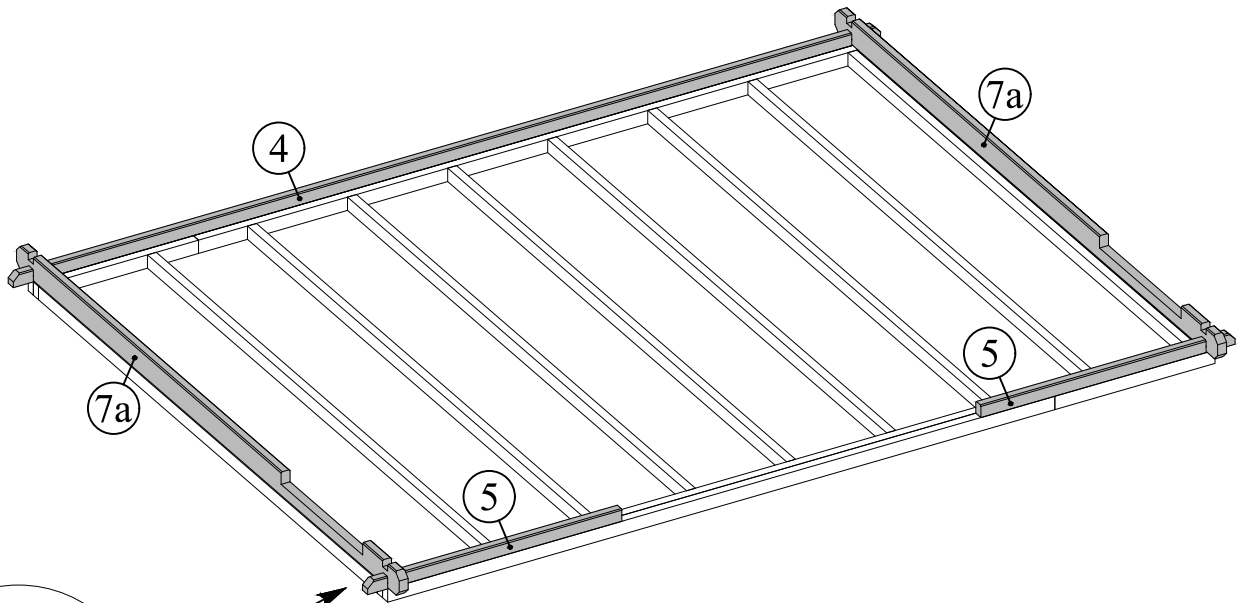
A=B=5261mm

→||←40mm

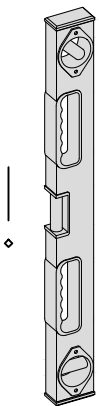
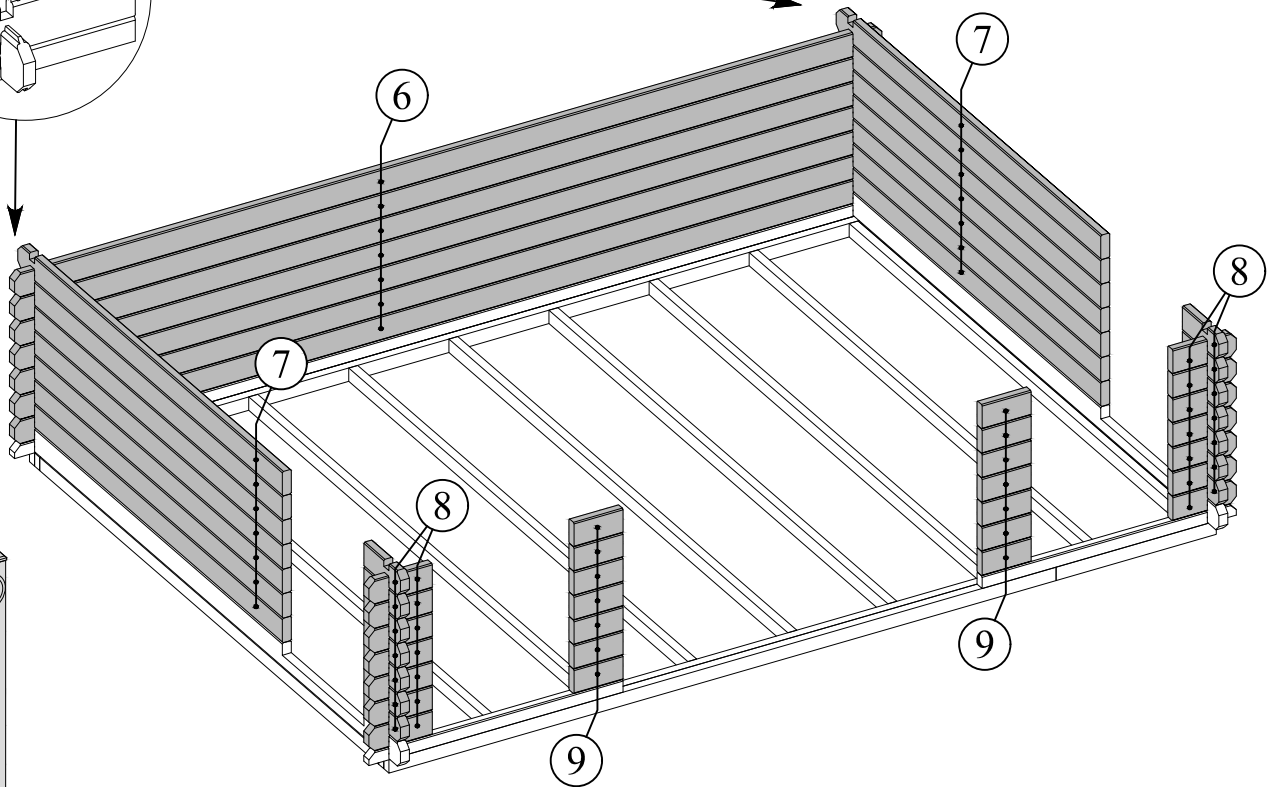
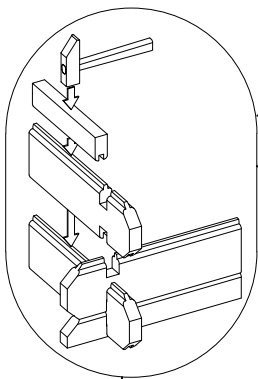
3,9 x 2,98

**40040**

**3**



**4**

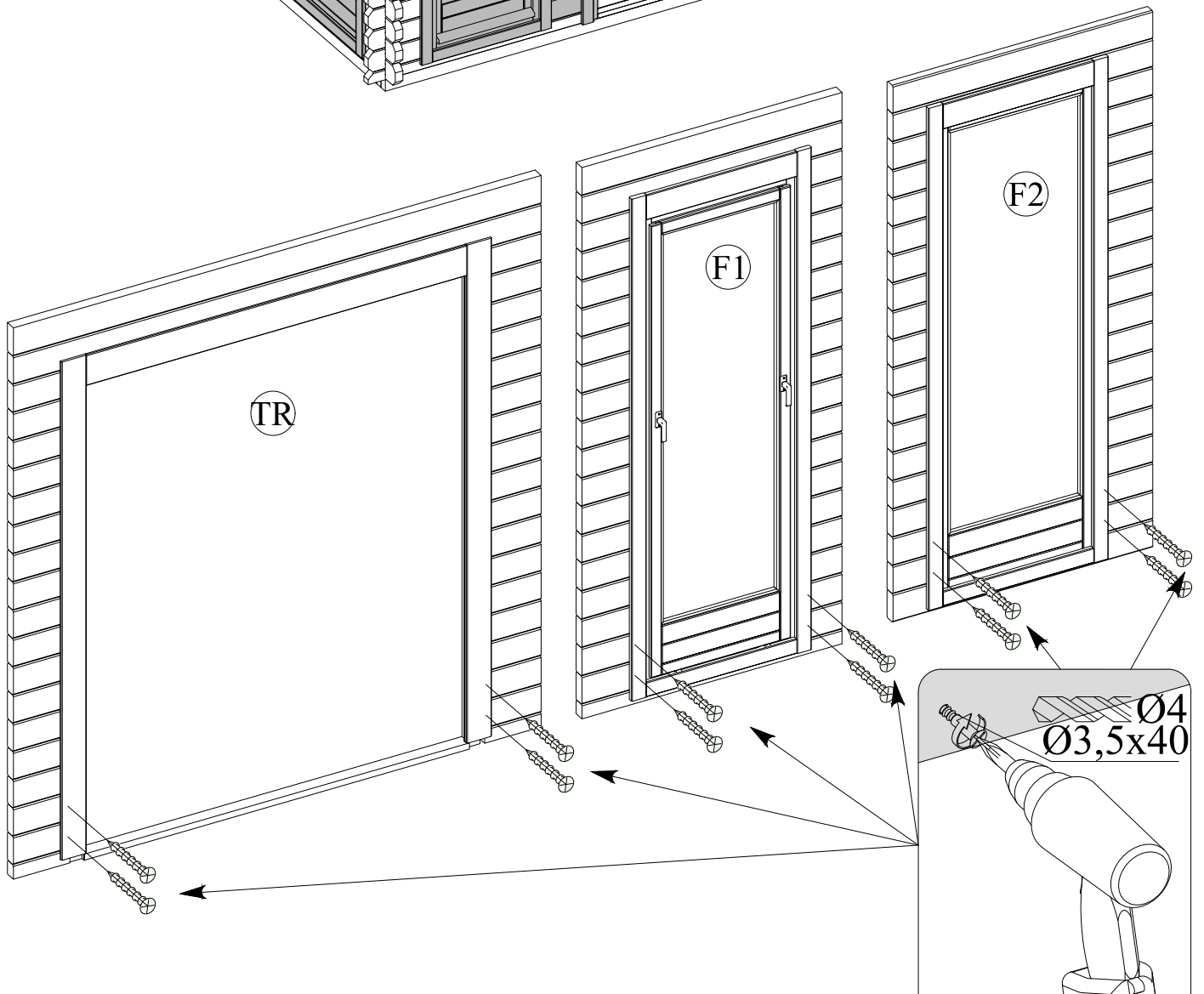
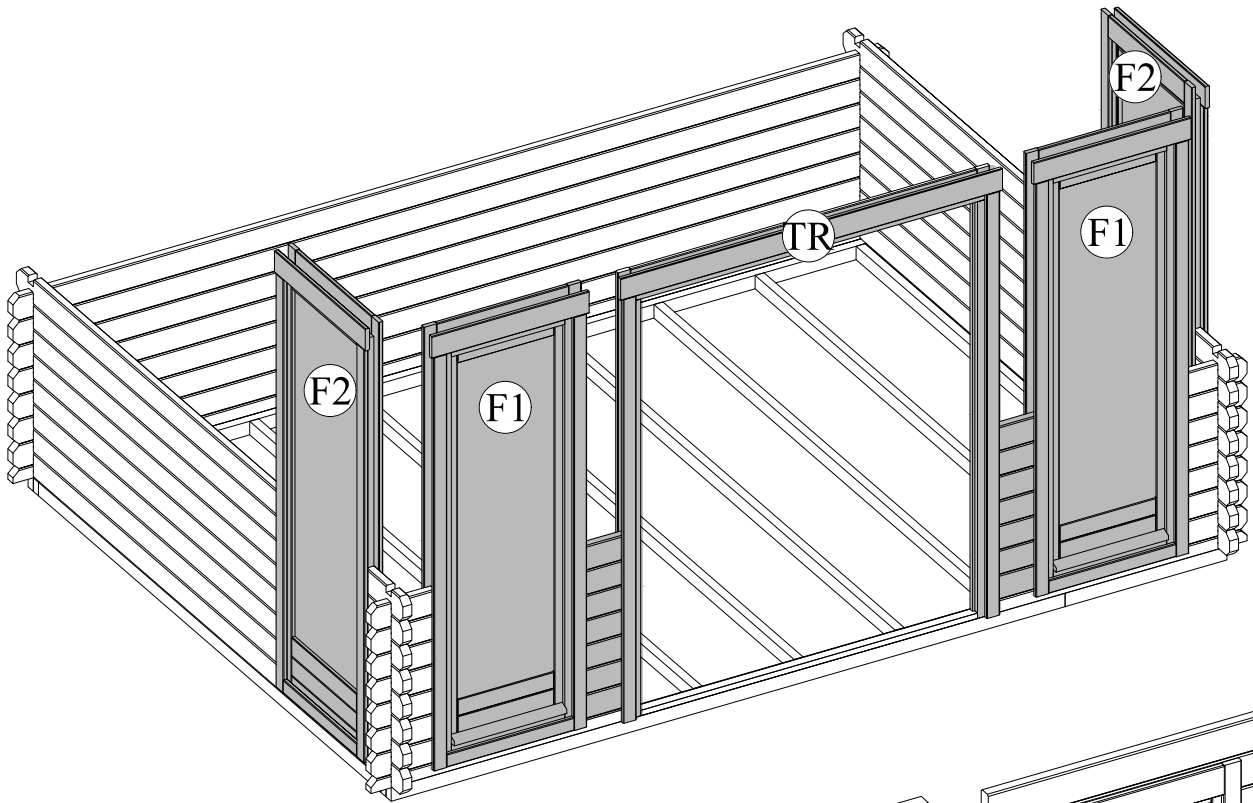


→ || ← 40mm

3,9 x 2,98

**40040**

**5**



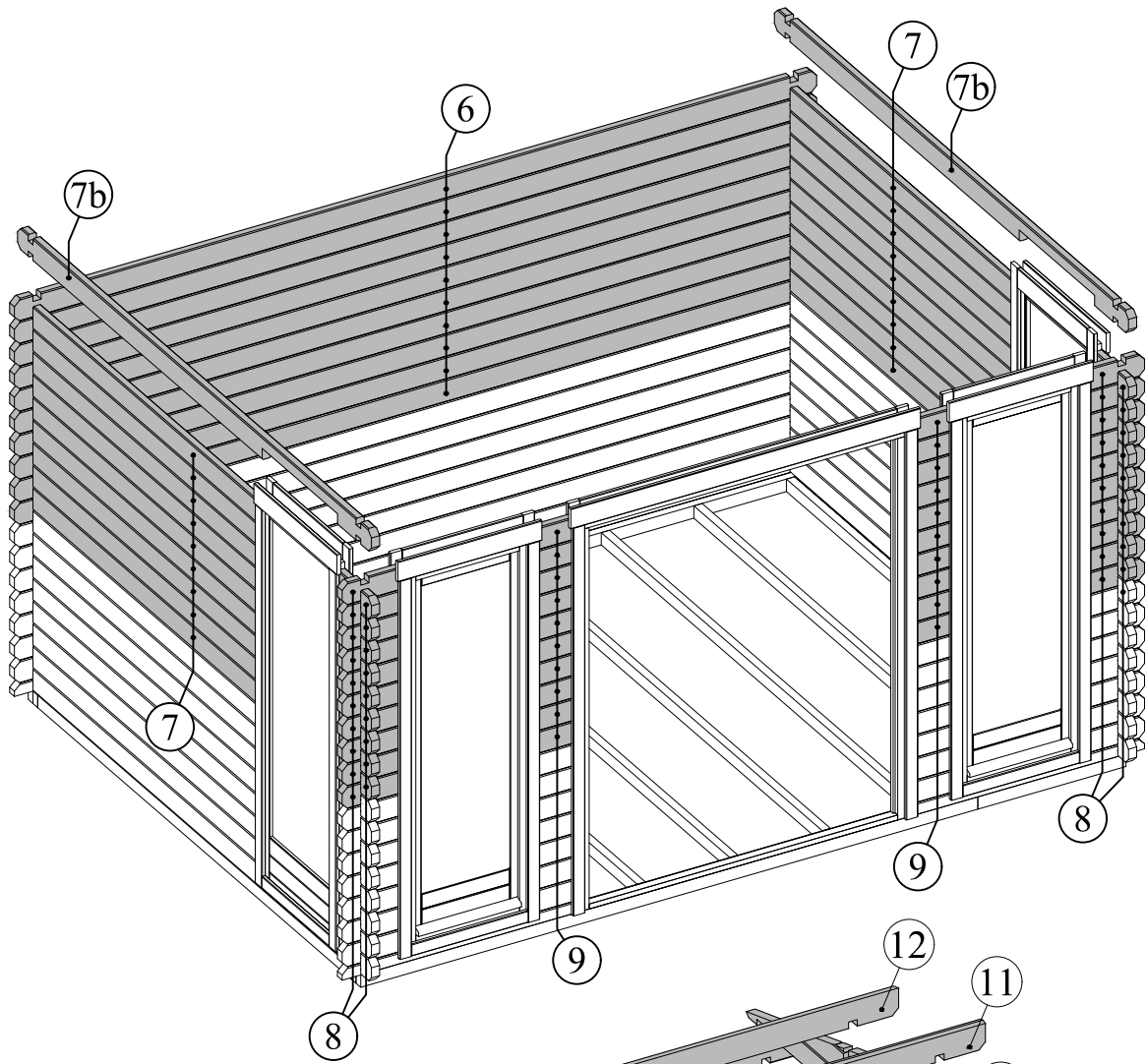


→||←40mm

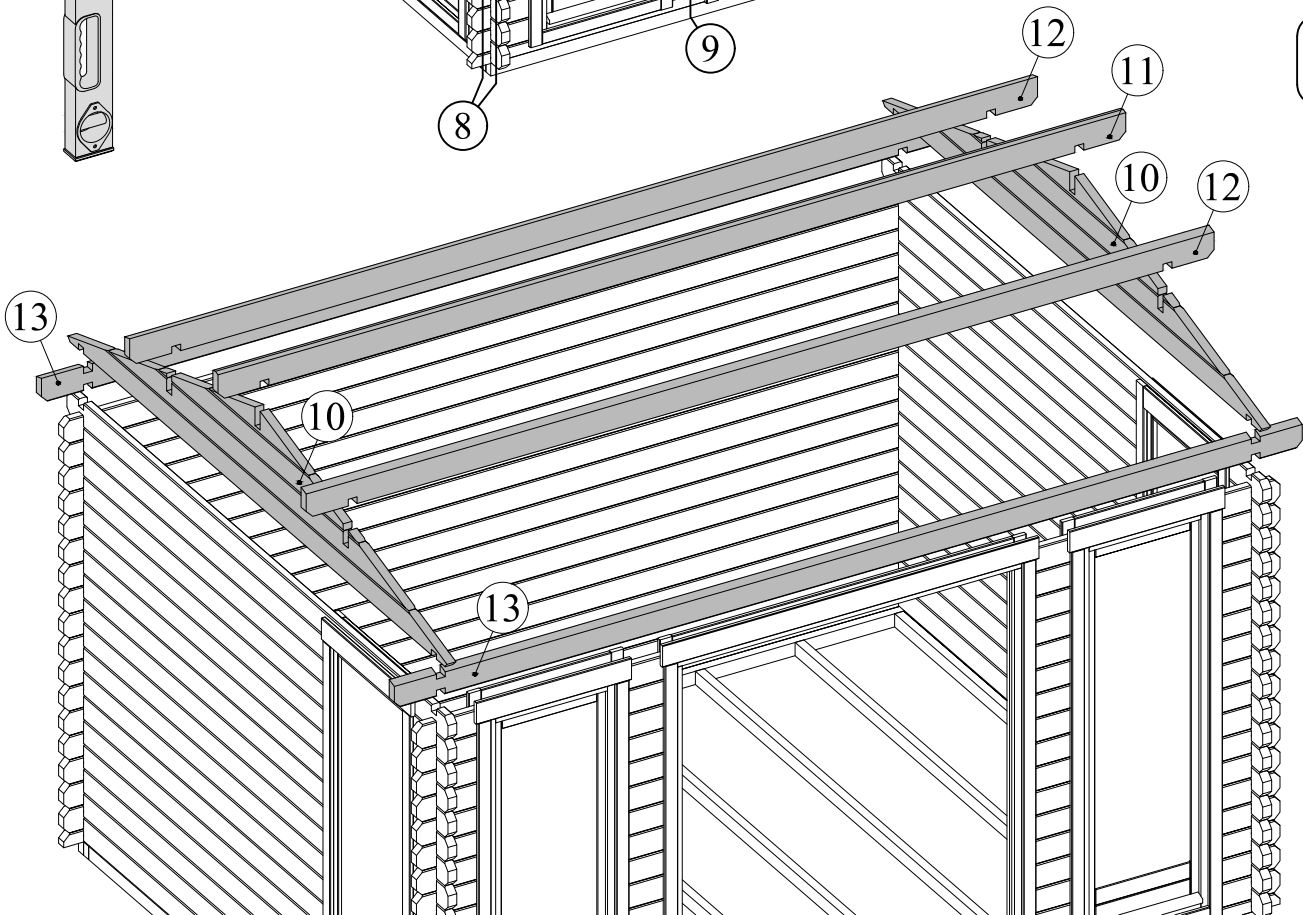
3,9 x 2,98

**40040**

**6**



**7**

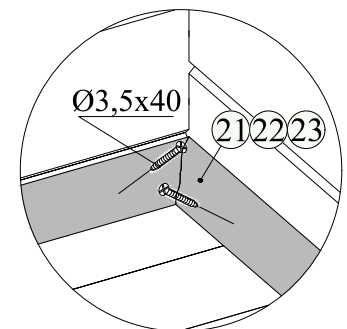
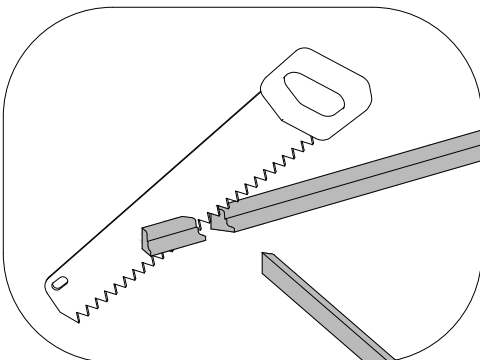
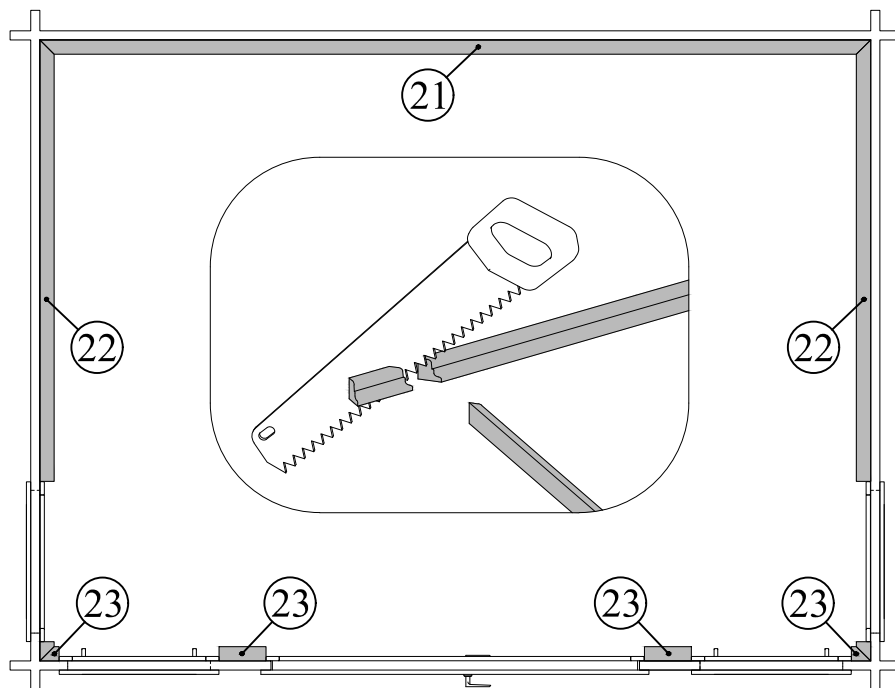
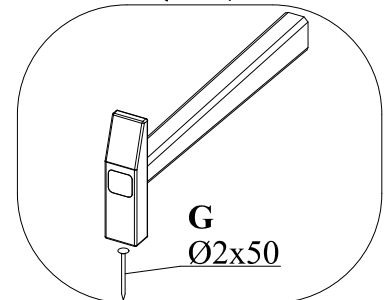
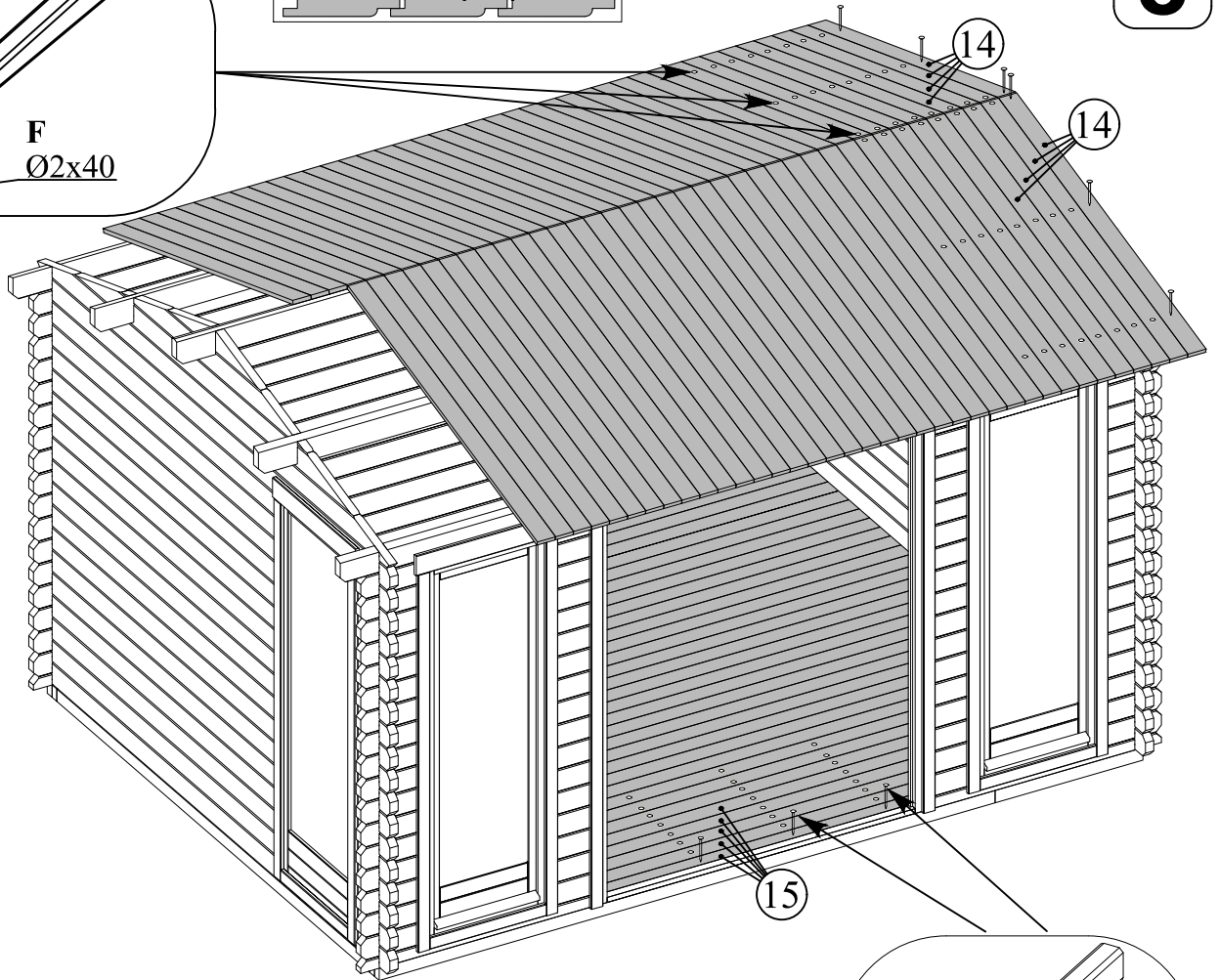
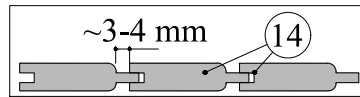
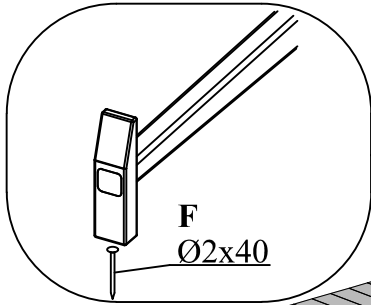


→||←40mm

3,9 x 2,98

**40040**

**8**

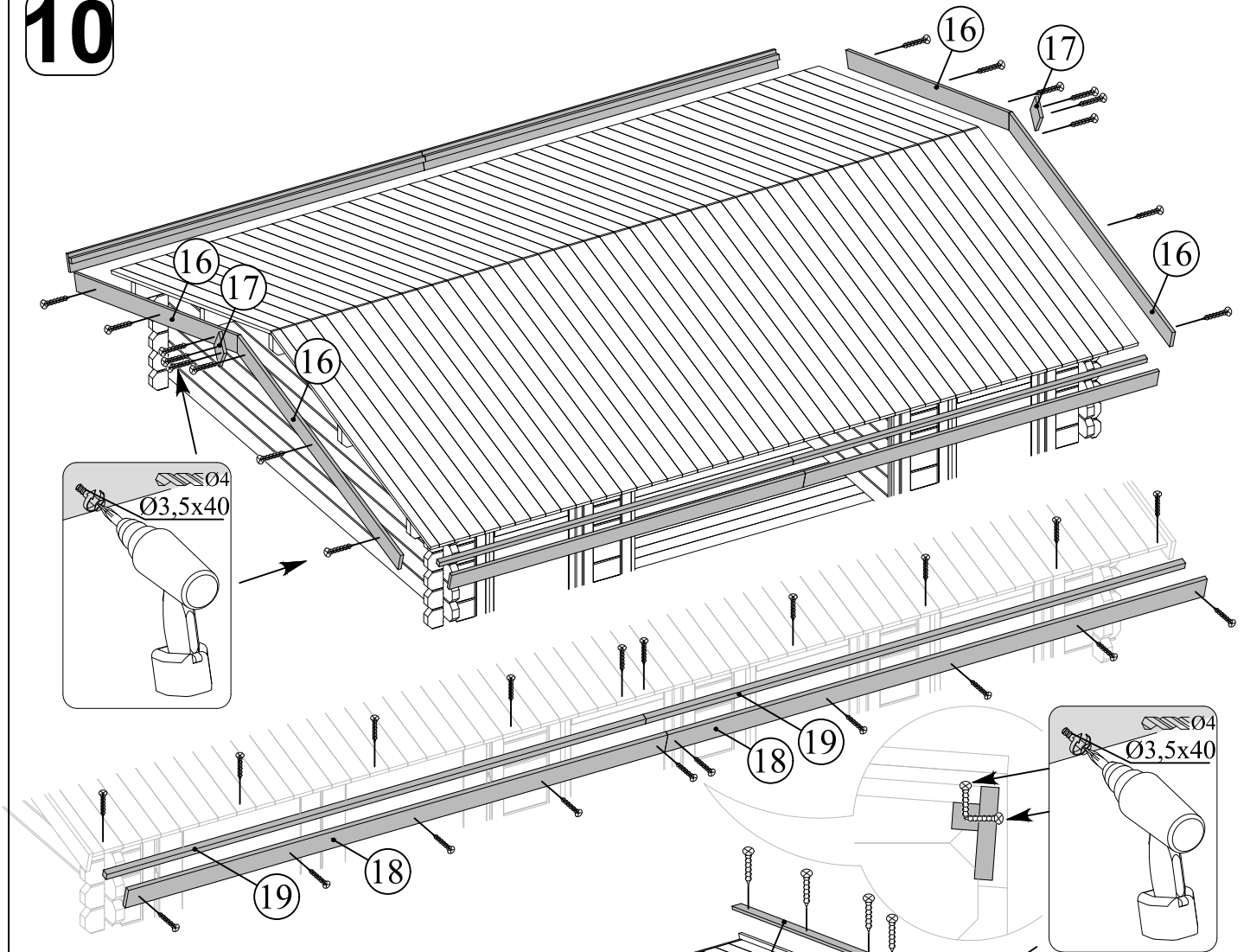


→||←40mm

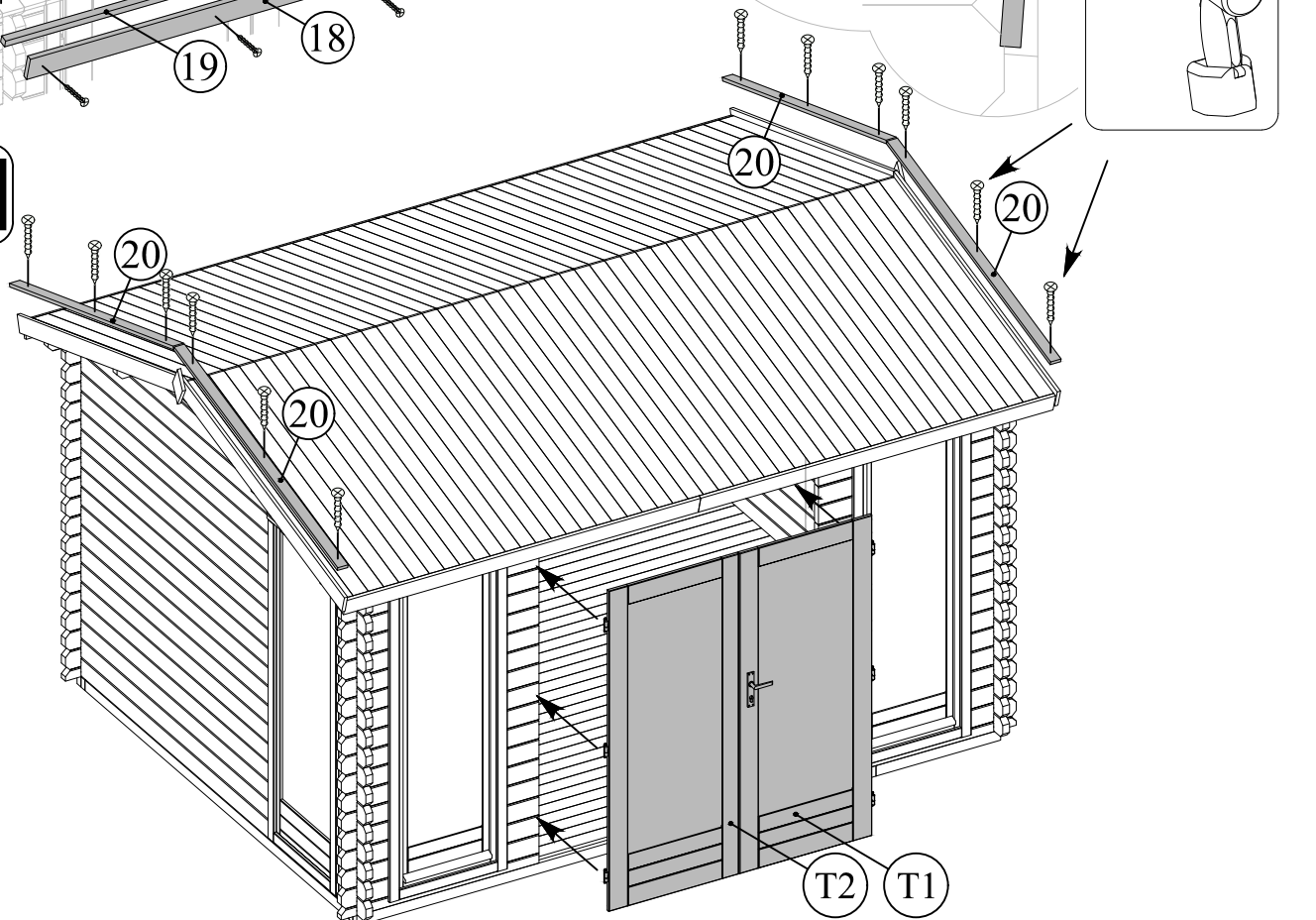
3,9 x 2,98

**40040**

**10**



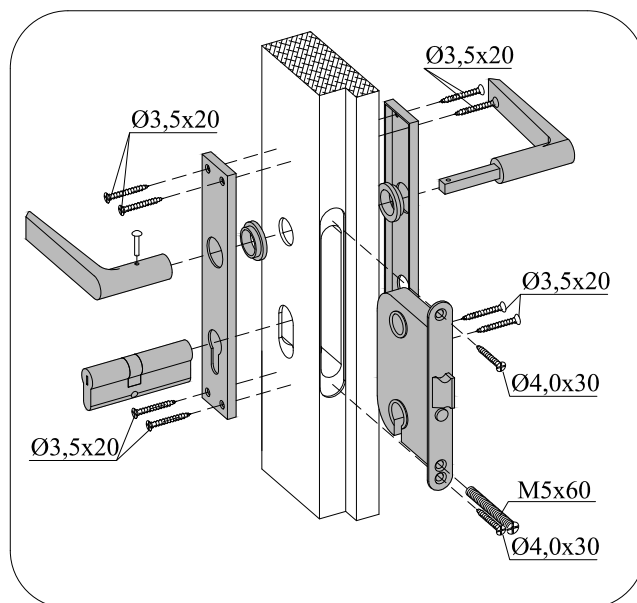
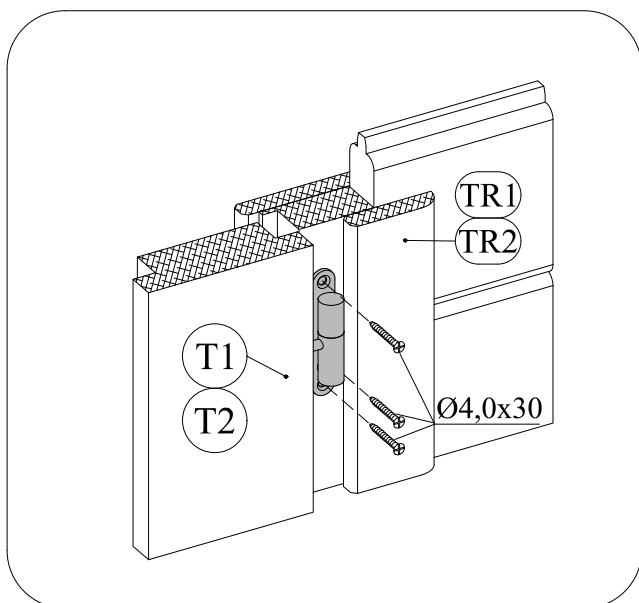
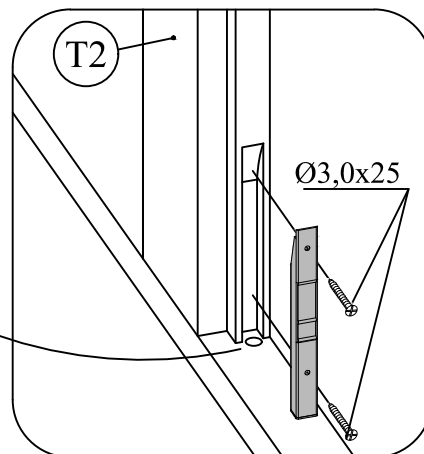
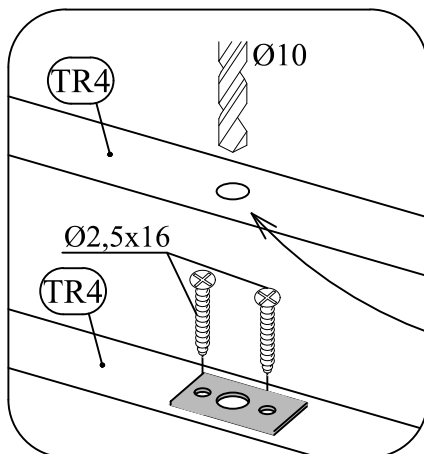
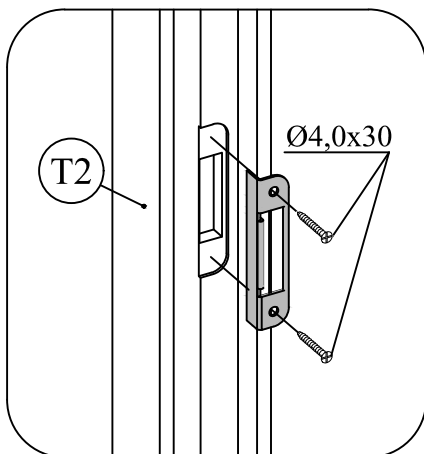
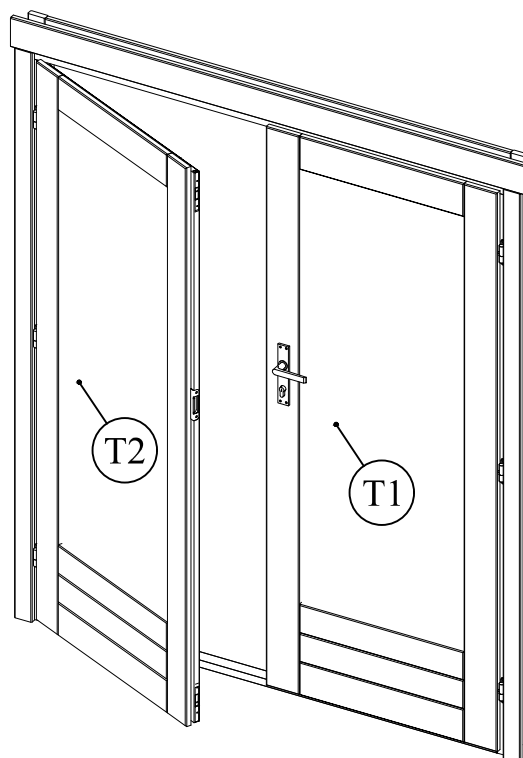
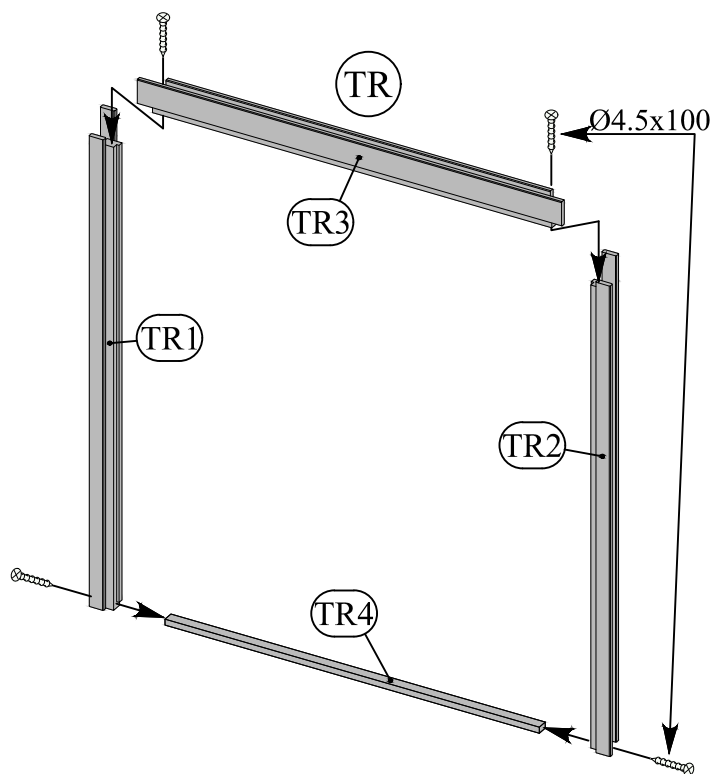
**11**



→ || ← 40mm

3,9 x 2,98

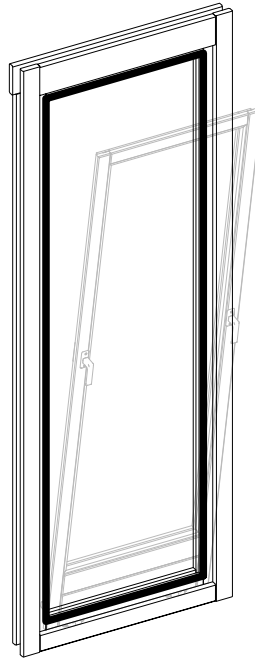
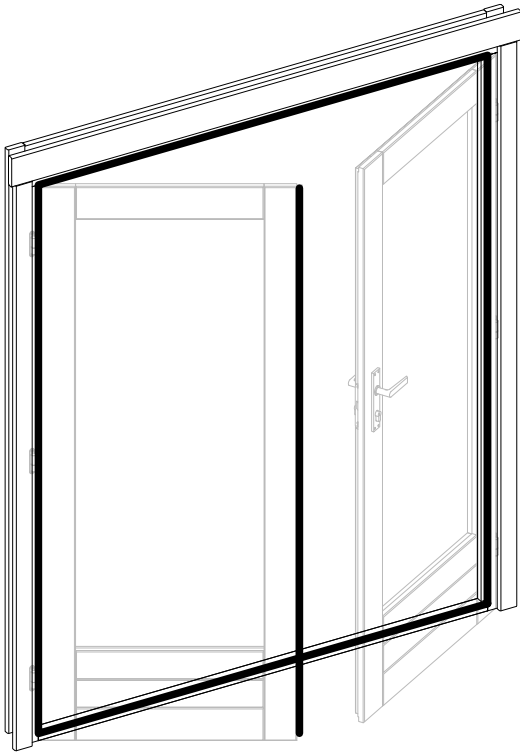
**40040**



→||←40mm

3,9 x 2,98

**40040**



Dichtgummi  
étanchéité en caoutchouc  
sealing rubber

