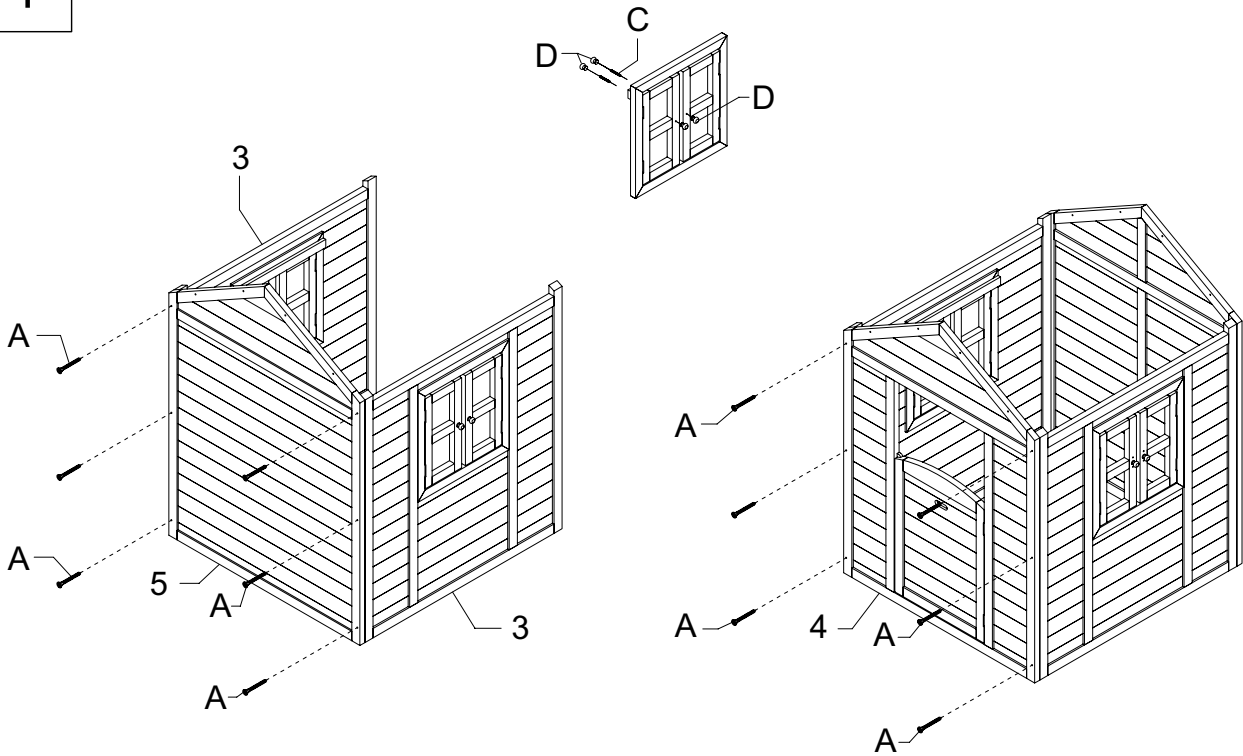
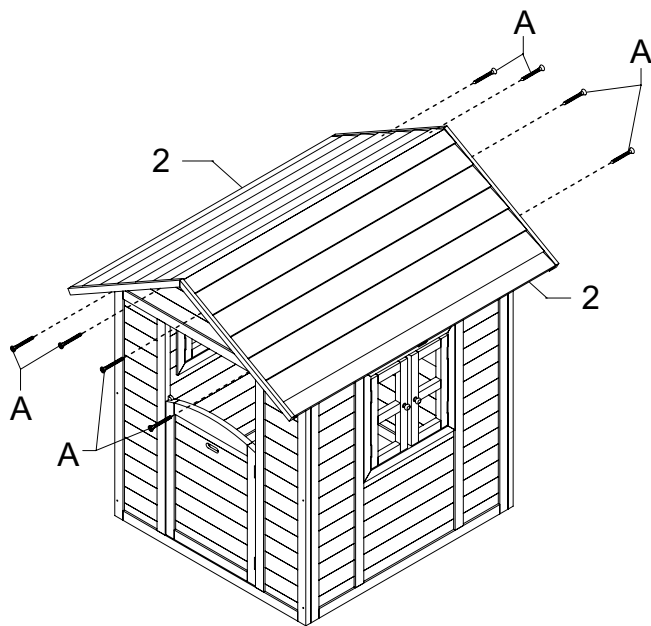


LODGE / NOA ASSEMBLY

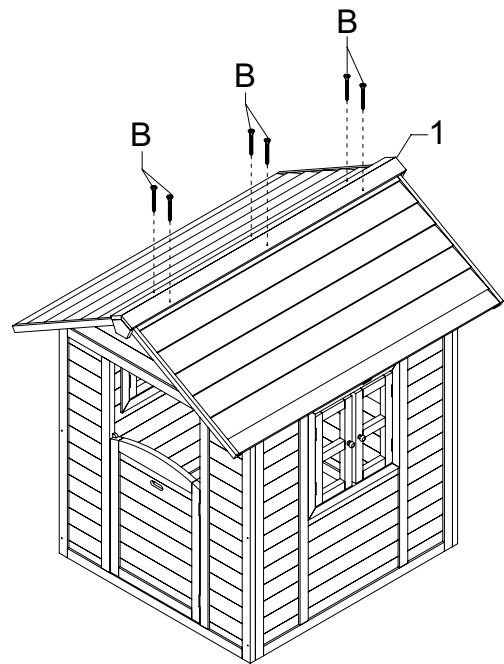
1



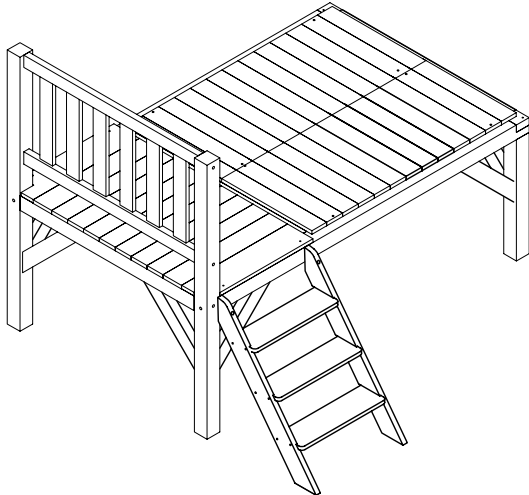
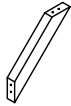
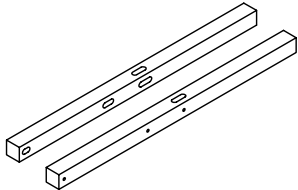
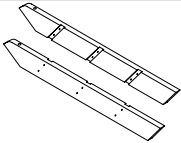
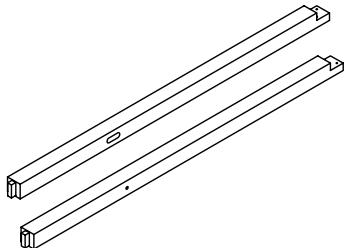
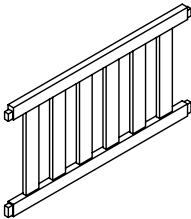
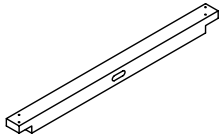
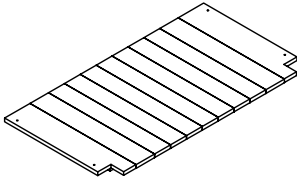
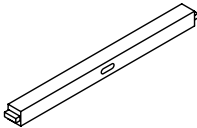
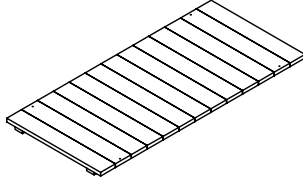
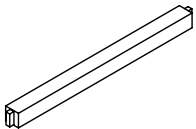

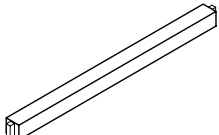
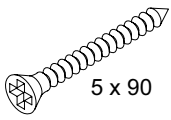
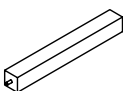
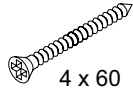
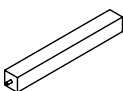
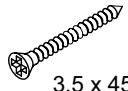
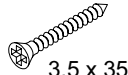
2



3

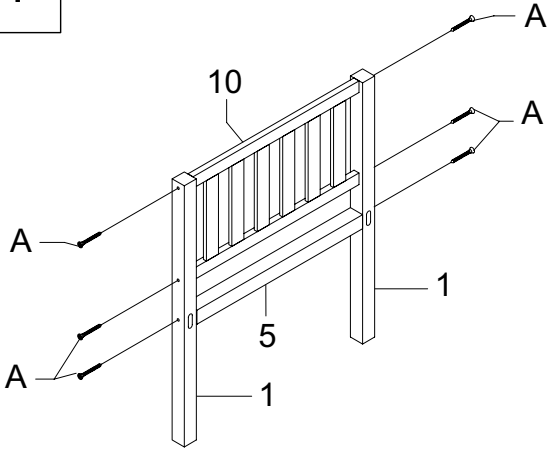


FRAME LODGE XL

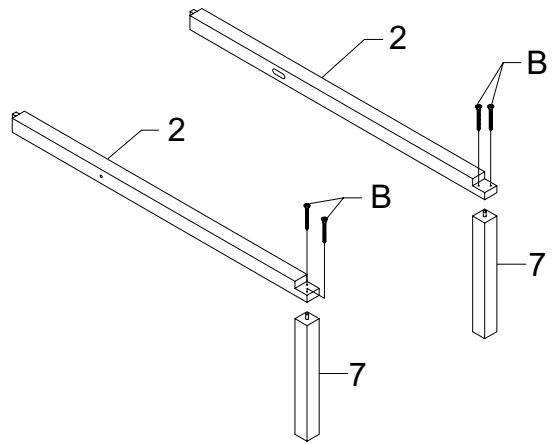
	 <p>8 8x</p>
 <p>1</p>	 <p>9</p>
 <p>2</p>	 <p>10</p>
 <p>3</p>	 <p>11</p>
 <p>4</p>	 <p>12 2x</p>
 <p>5</p>	 <p>13 3x</p>
 <p>6</p>	 <p>A 5 x 90 30x</p>
 <p>7 2x</p>	 <p>B 4 x 60 24x</p>
 <p>7 2x</p>	 <p>C 3,5 x 45 5x</p>
	 <p>D 3,5 x 35 24x</p>

LODGE XL ASSEMBLY

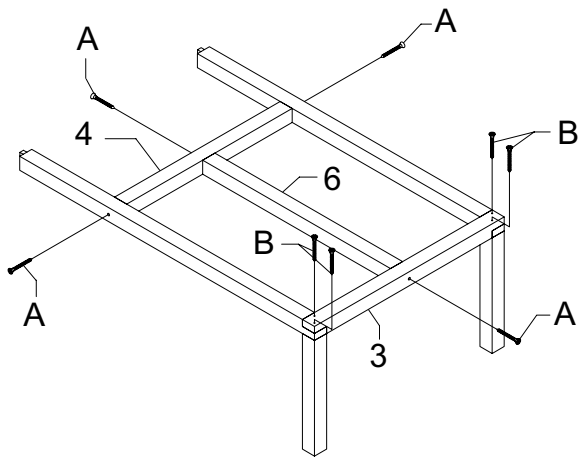
1



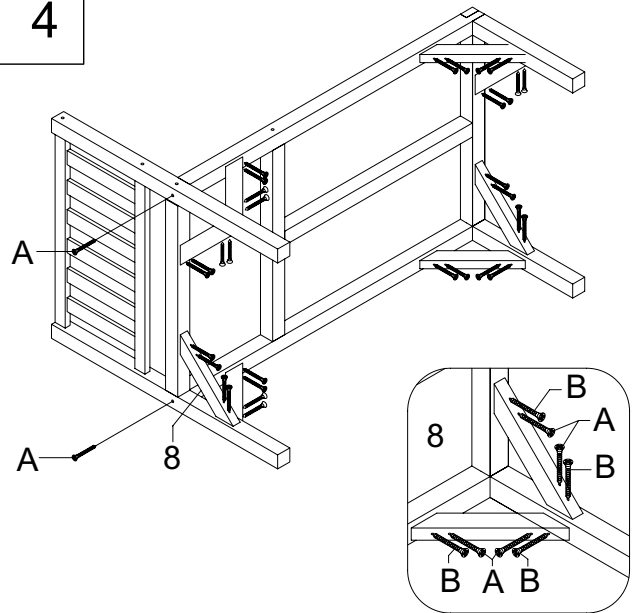
2



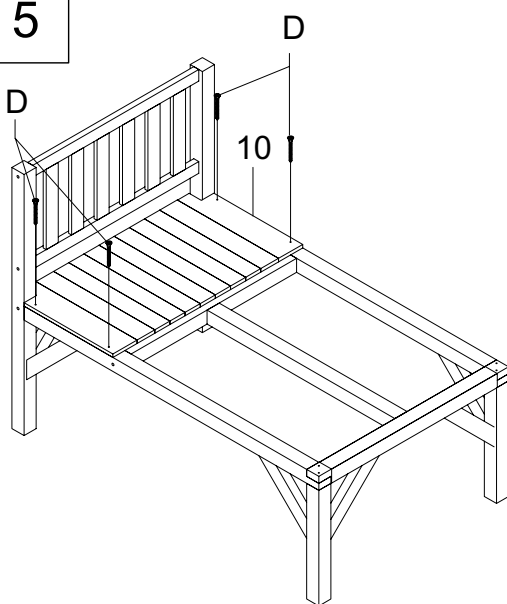
3



4

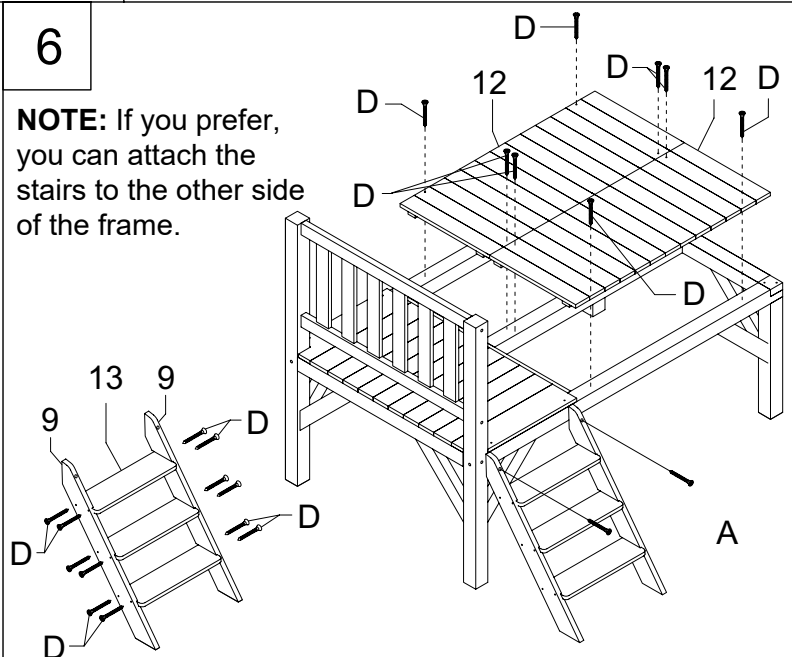


5



6

NOTE: If you prefer, you can attach the stairs to the other side of the frame.



LODGE XL ASSEMBLY

7

