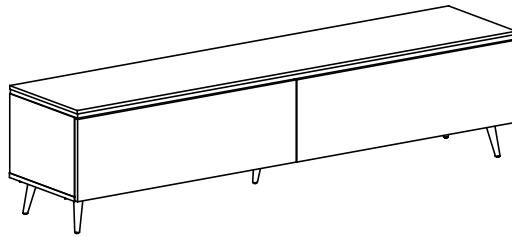
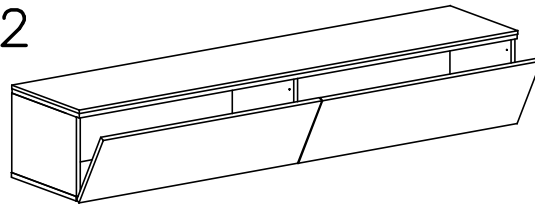


AURORA RTV

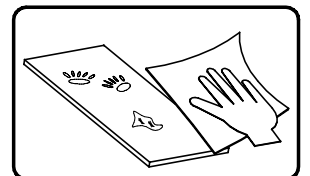
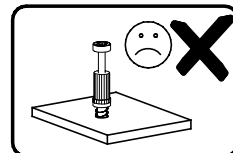
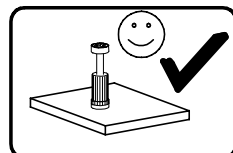
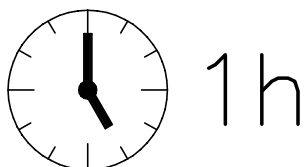
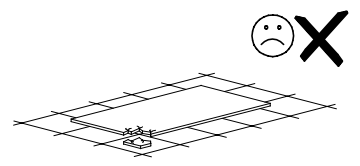
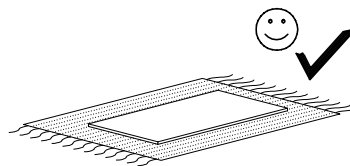
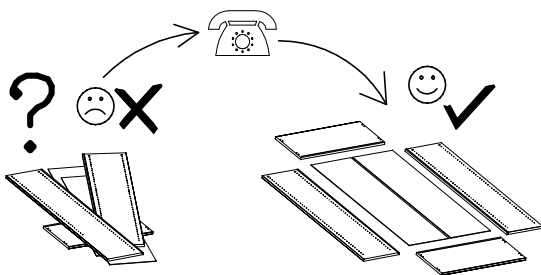
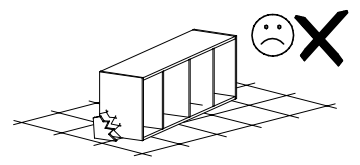
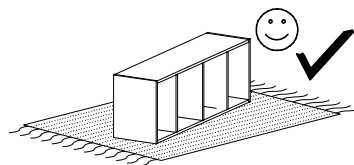
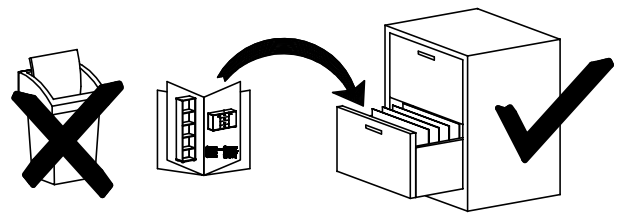
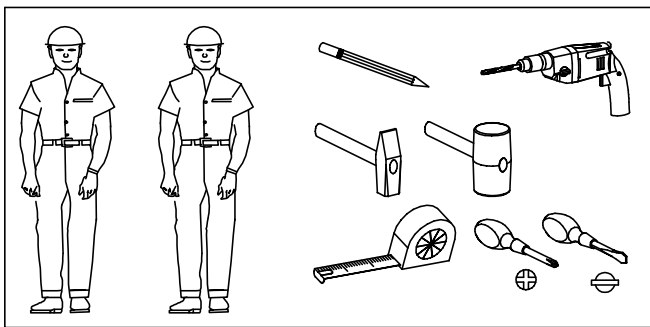
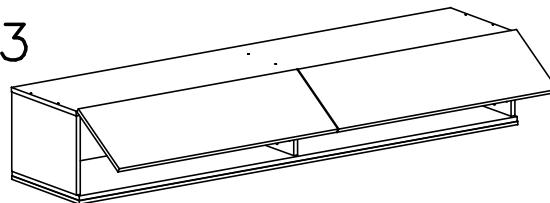
Ver. 1

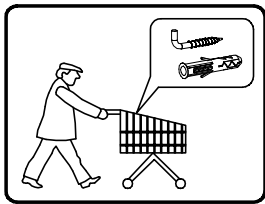
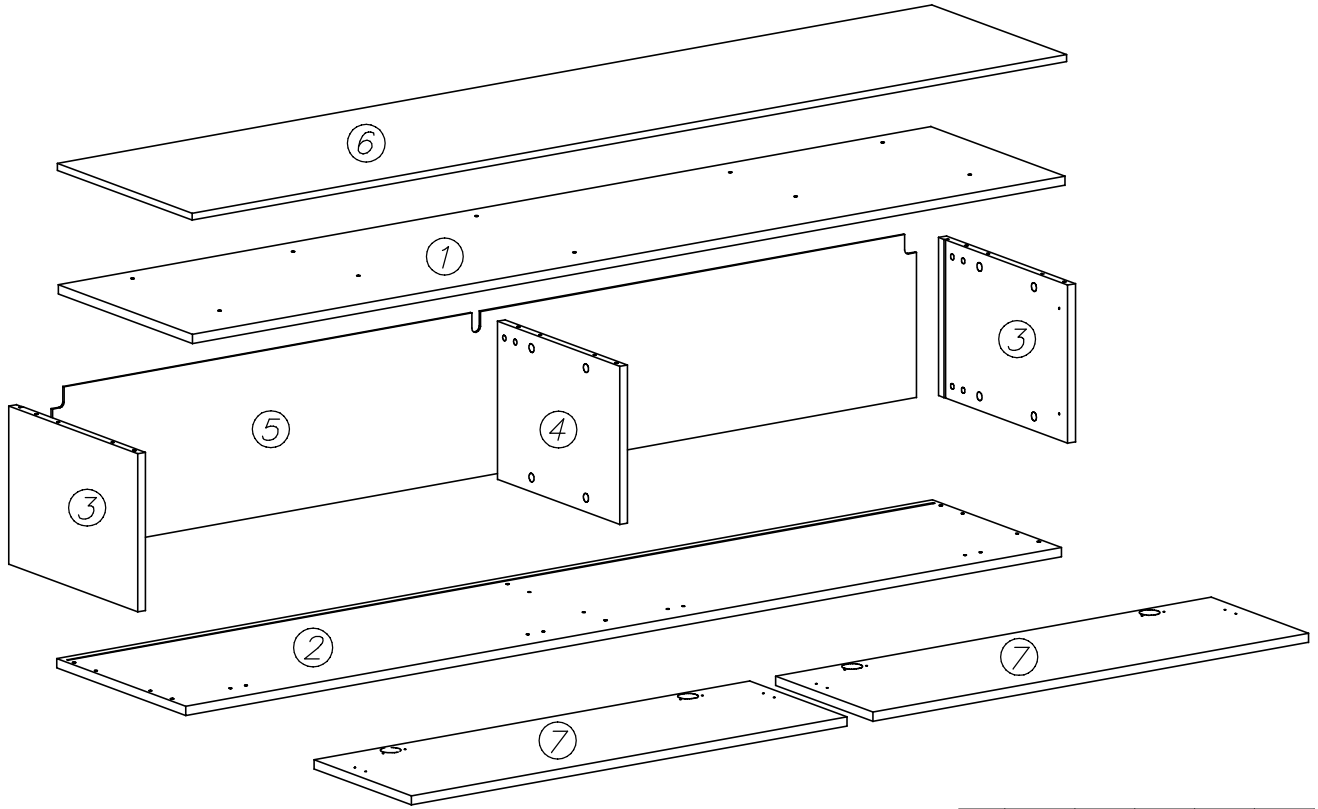
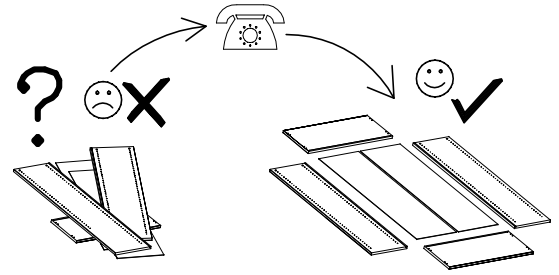
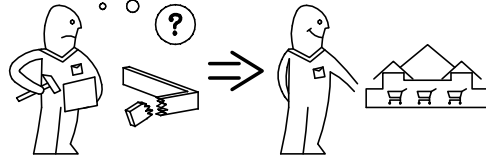
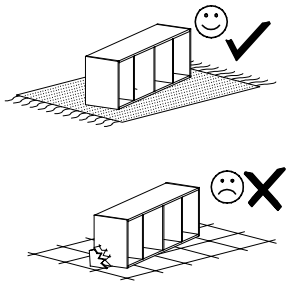


Ver. 2



Ver. 3



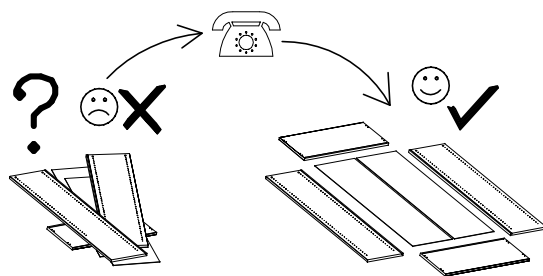
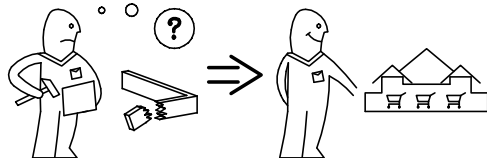
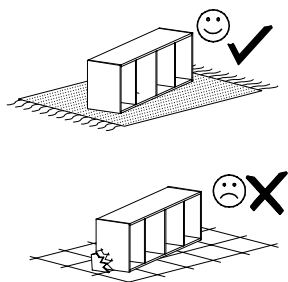


nr	L[mm]	B[mm]	T[mm]	Menge	Colli
1	1796	394	16	1	1/1
2	1800	379	16	1	1/1
3	276	379	16	2	1/1
4	276	359	16	1	1/1
5	1778	288	3	1	1/1
6	1800	396	10	1	1/1
7	897	287	16	2	1/1

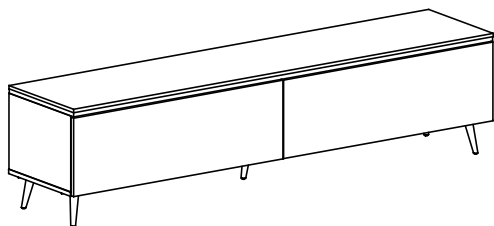



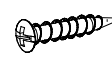
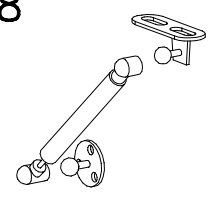

17		ø18	x...(12)
----	--	-----	----------

U9L x...(1)	U9R x...(2)	L13 x...(2)	C3 x...(4)	U10R x...(2)
K1 ø15x12 x...(12)	G55 6x22 x...(10)	G57 3,5x16 x...(4)	D3 H=2 PZ35PR x...(4)	U10L x...(1)
K10 x...(12)	I8 ø14 x...(4)	B2 ø6x35 x...(12)	G34 3,5x16 x...(11)	I1 x...(10)

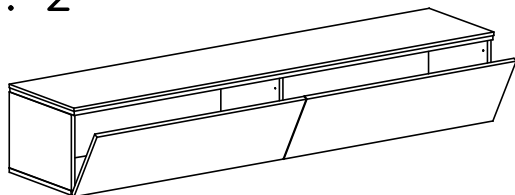


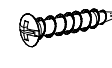
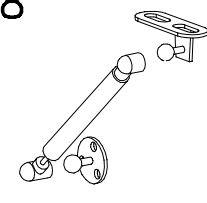
Ver. 1



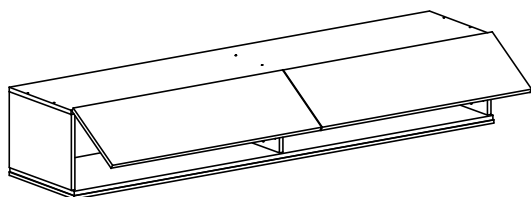
<p>G4</p>  <p>4x16 x...(20)</p>	<p>G32</p>  <p>3,5x16 x...(10)</p>	<p>L8</p>  <p>x...(2)</p>
<p>LEG</p>  <p>x...(5)</p>		

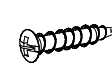
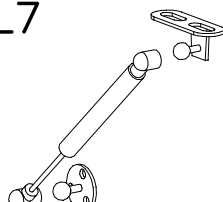
Ver. 2



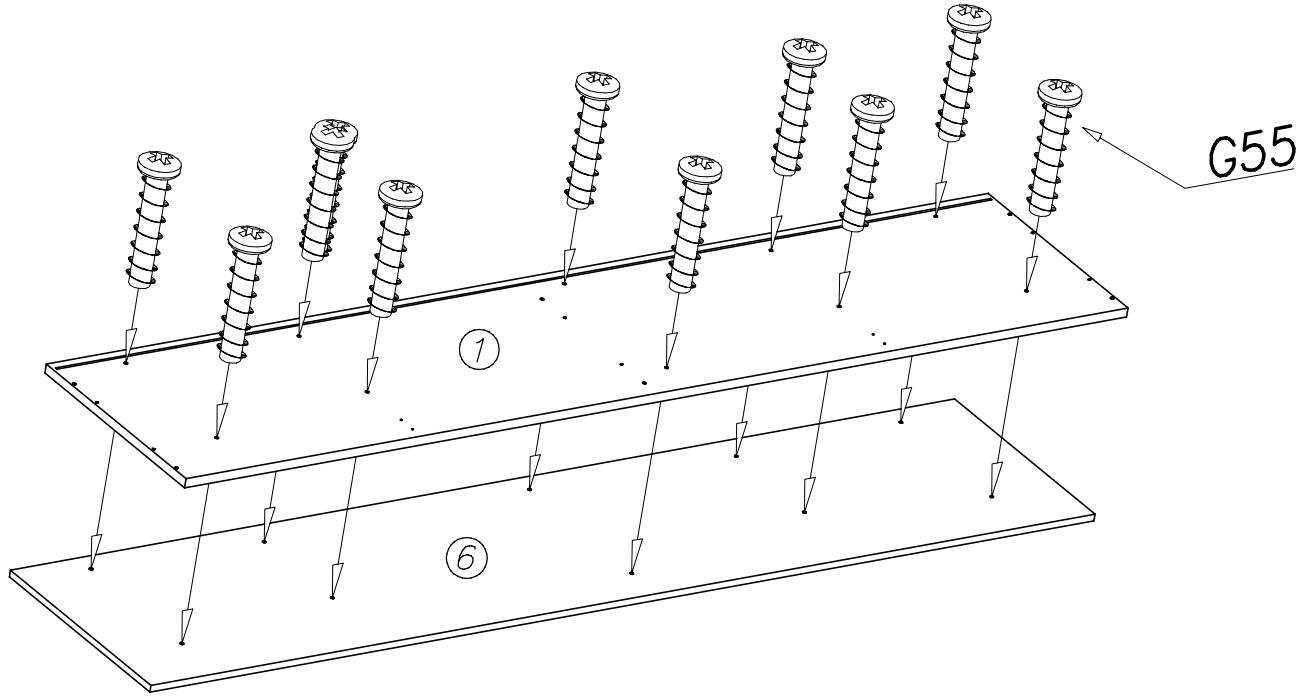
<p>G32</p>  <p>3,5x16 x...(10)</p>	<p>L8</p>  <p>x...(2)</p>
--	---

Ver. 3

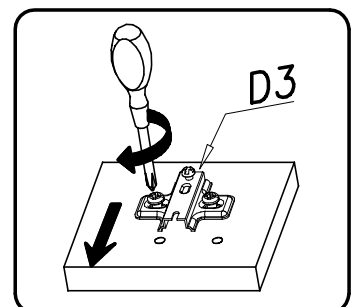
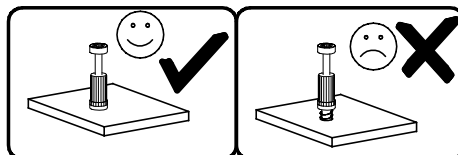
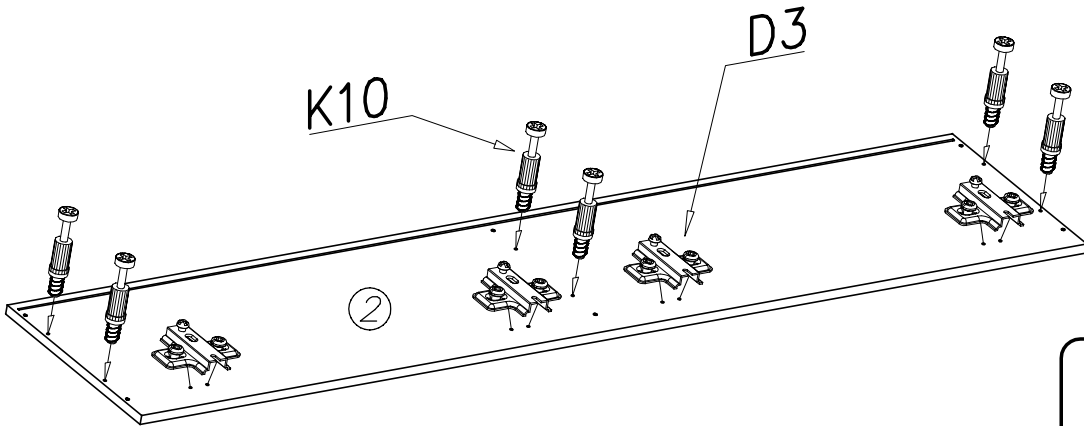
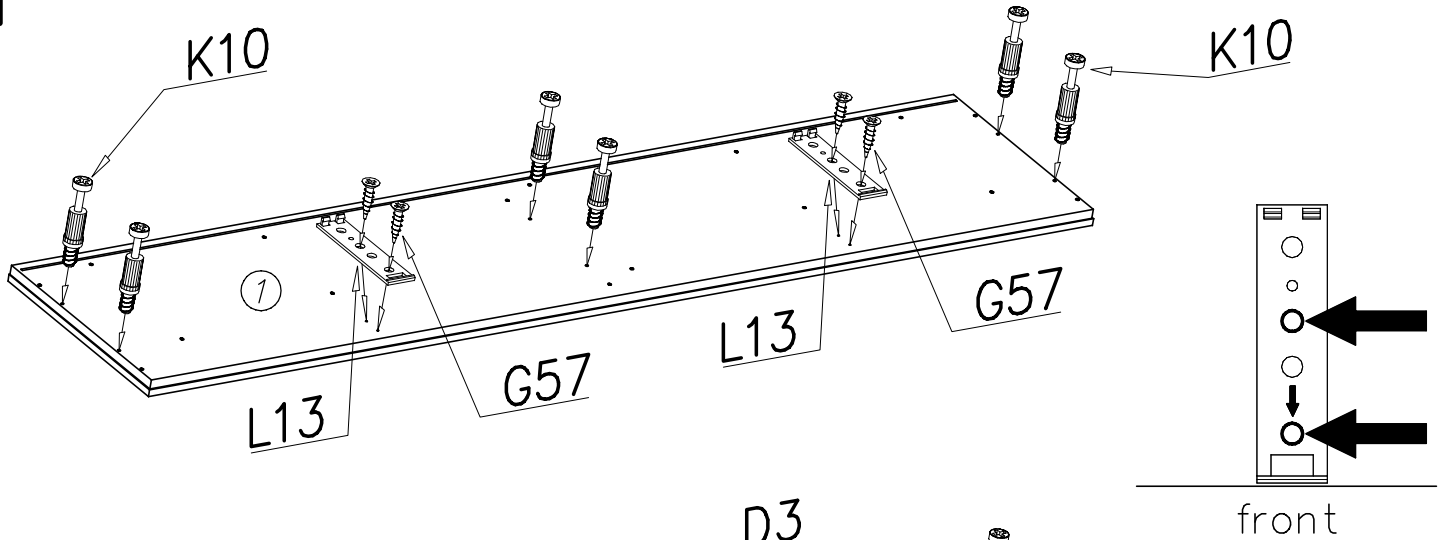


<p>G32</p>  <p>3,5x16 x...(10)</p>	<p>L7</p>  <p>x...(2)</p>
--	---

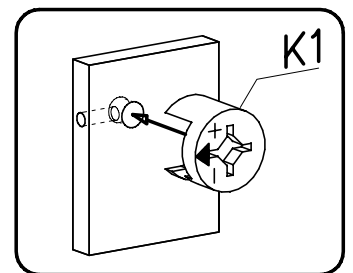
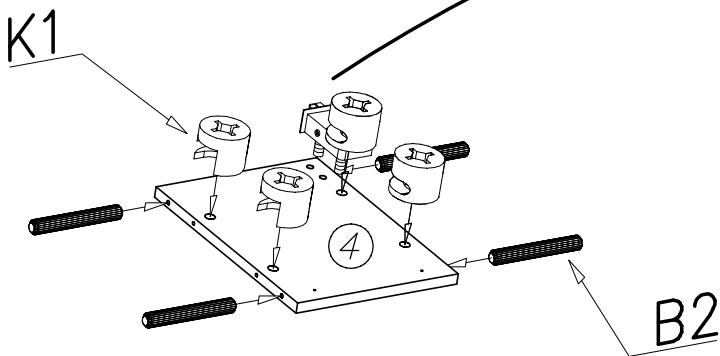
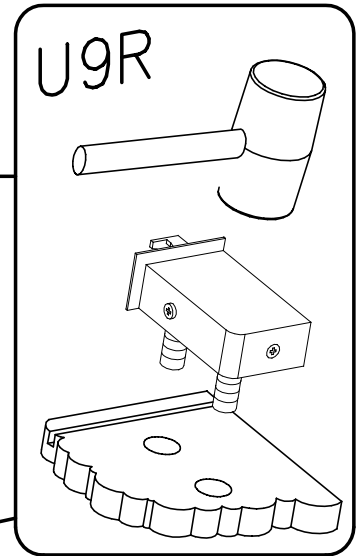
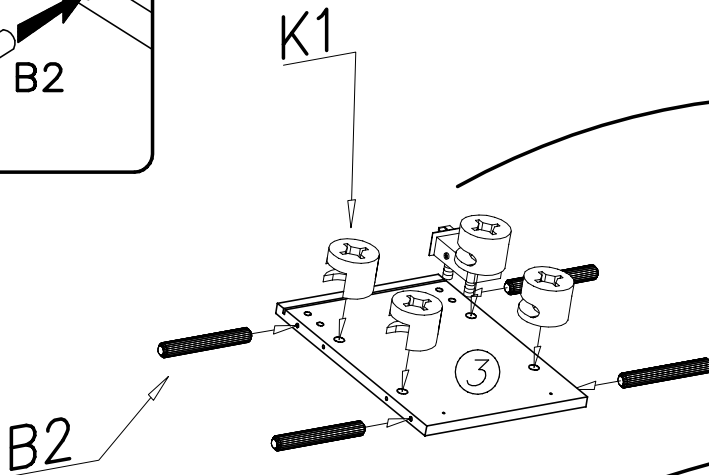
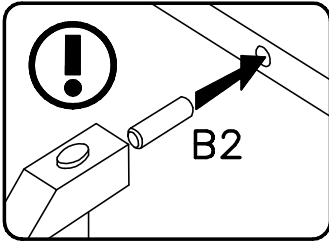
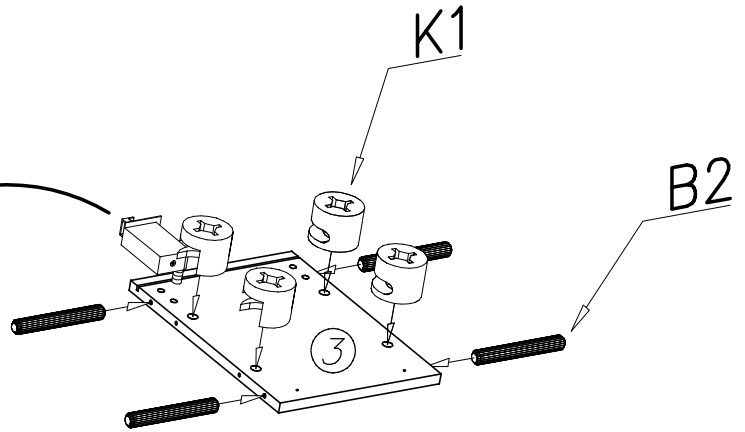
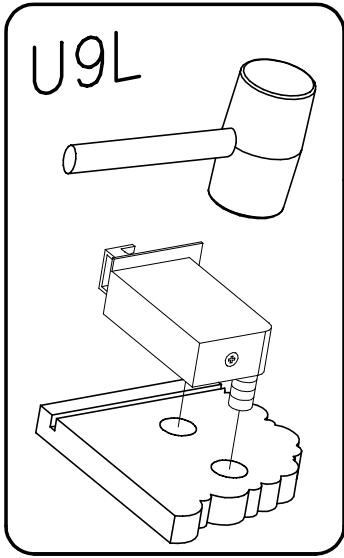
I



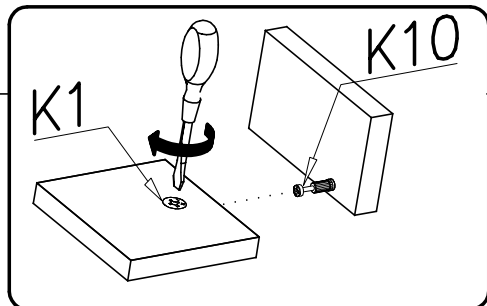
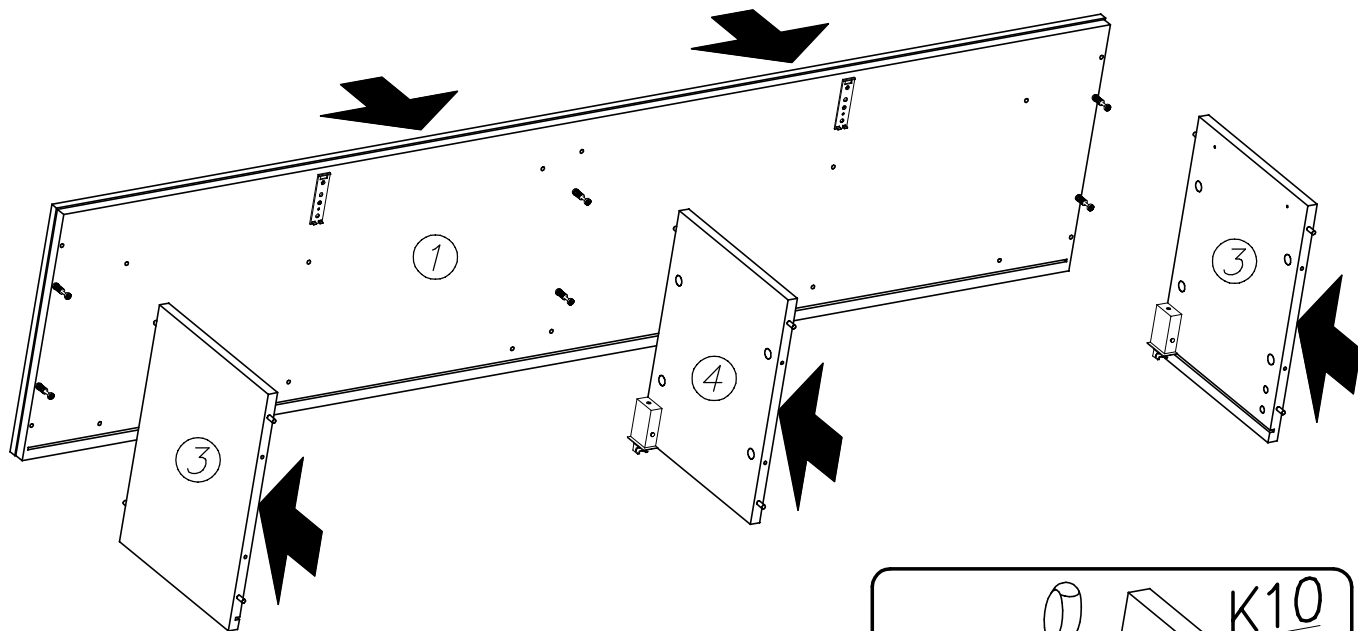
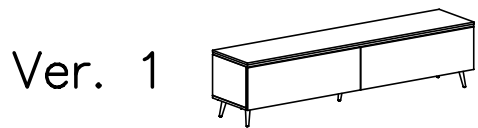
II



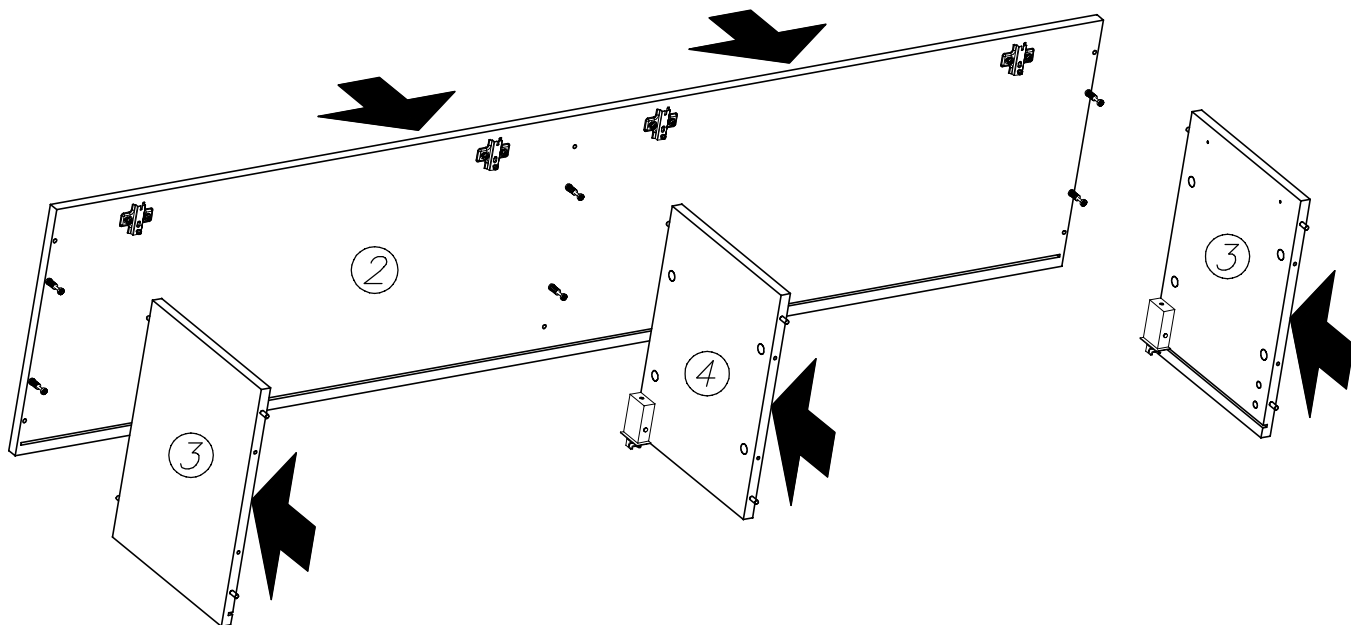
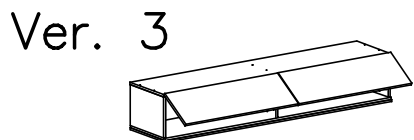
III



IV

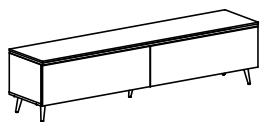


V

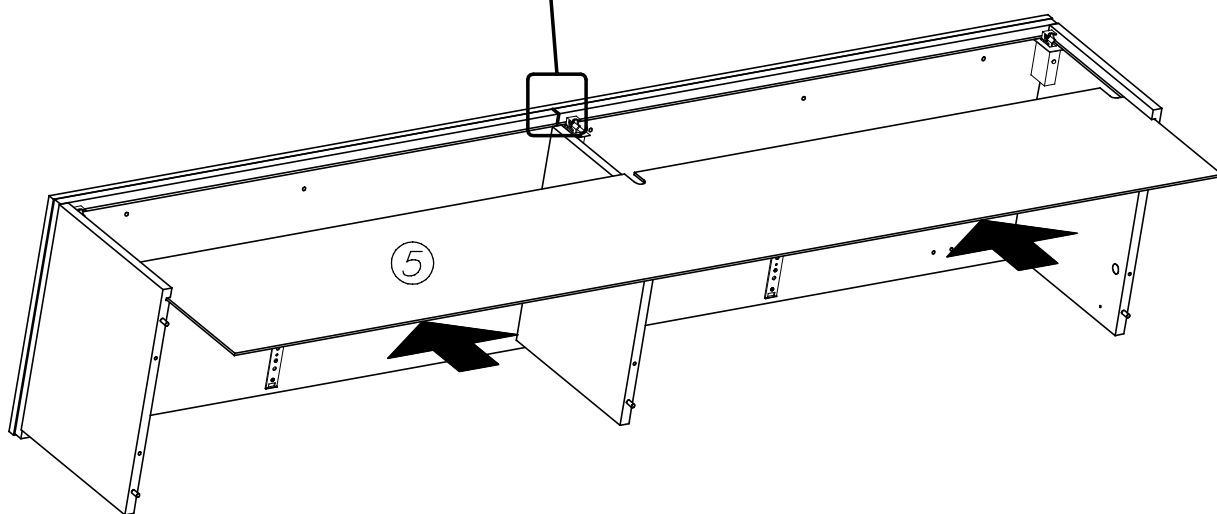
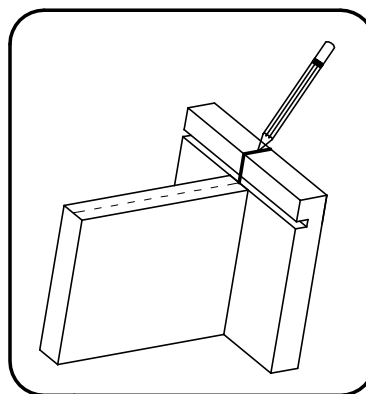
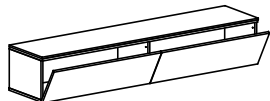


VI

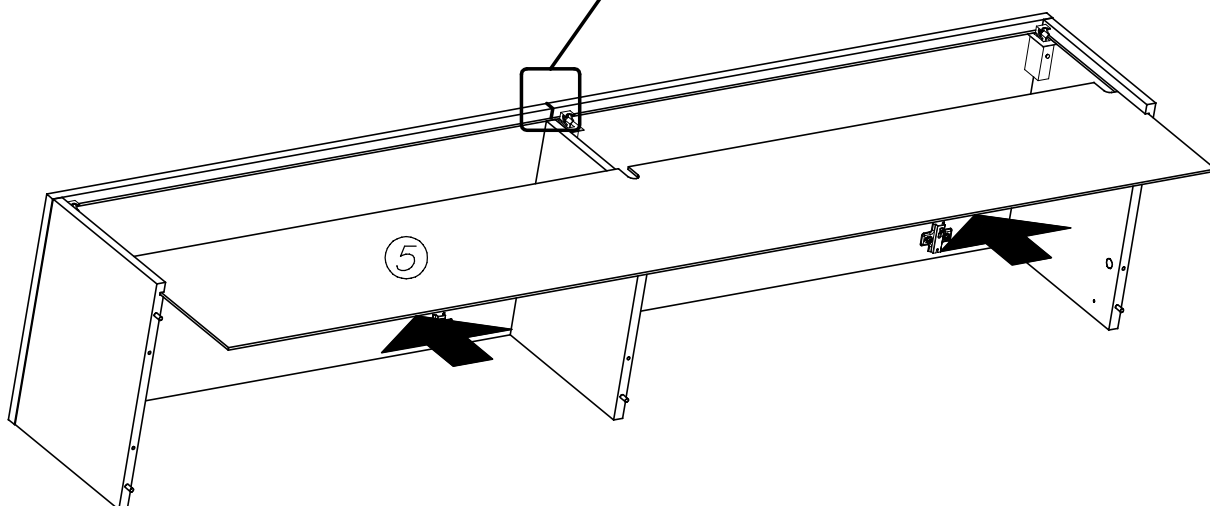
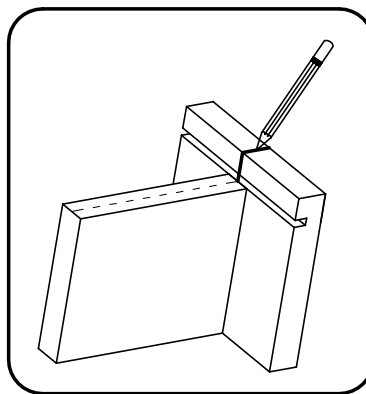
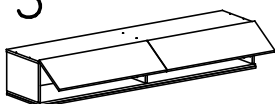
Ver. 1



Ver. 2

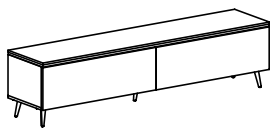


VII Ver. 3

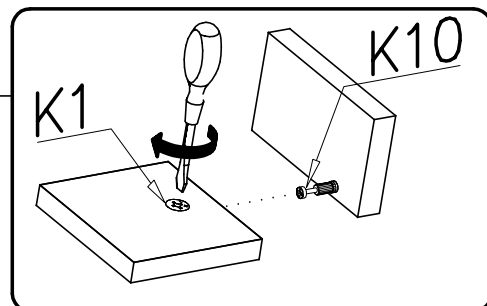
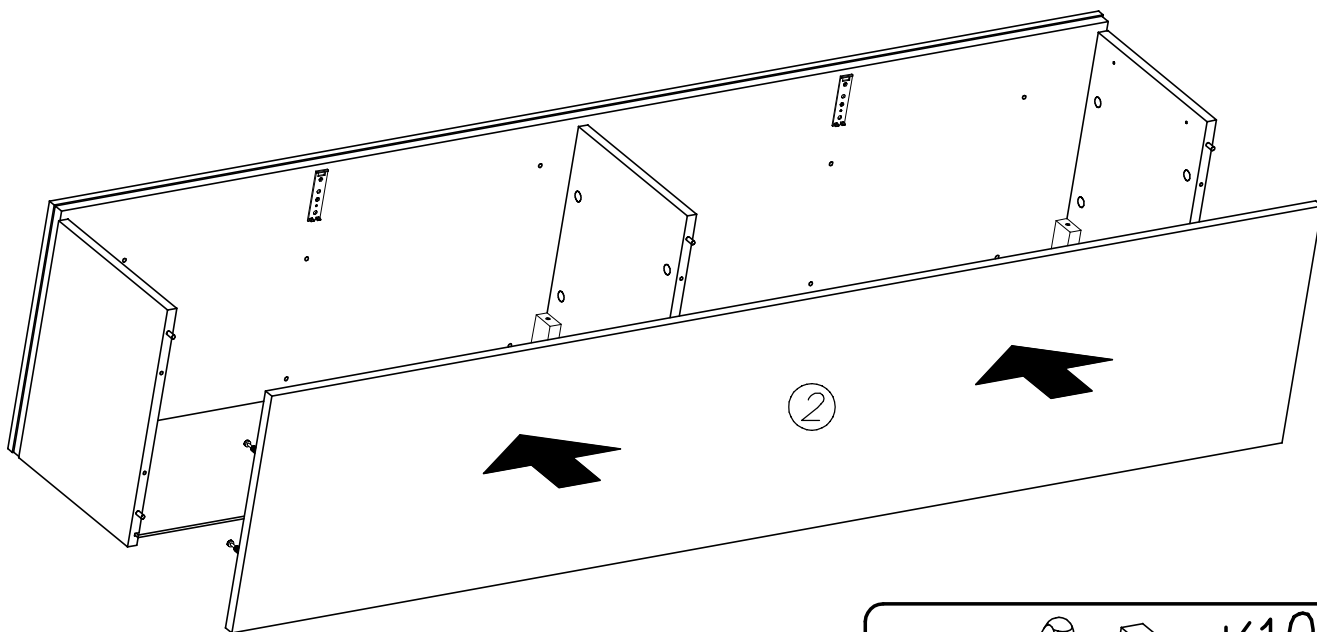
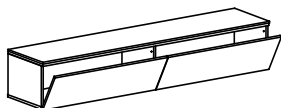


VIII

Ver. 1

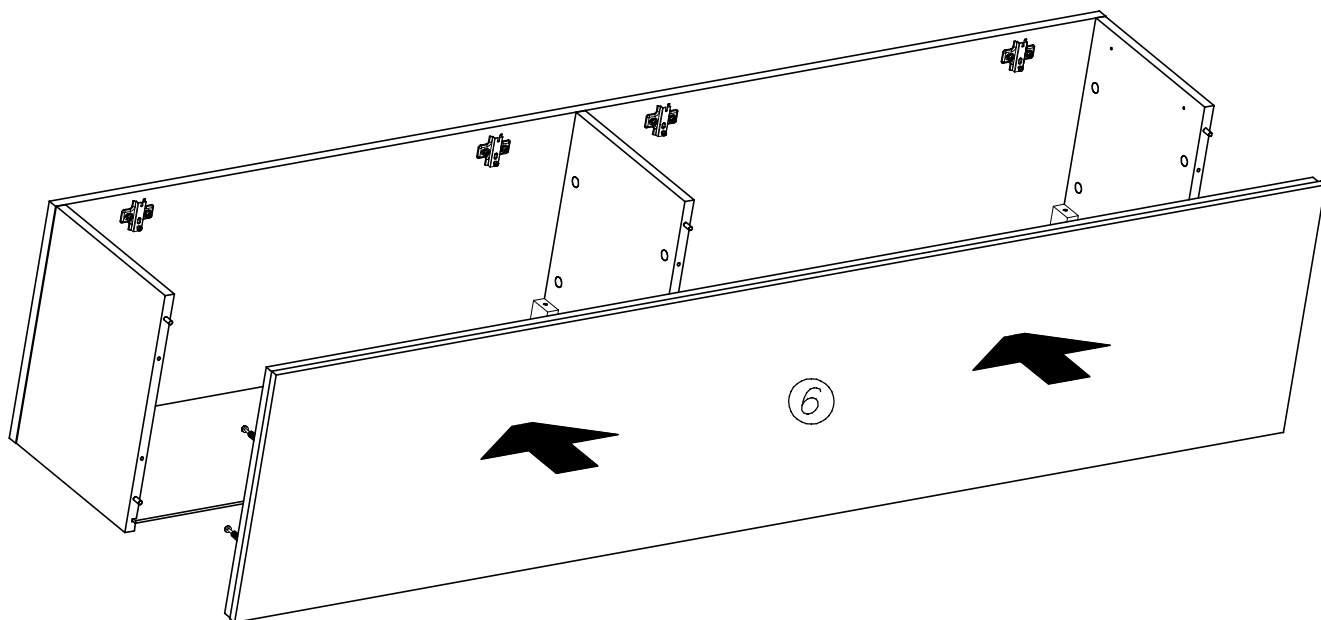
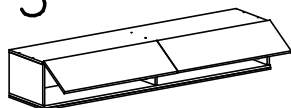


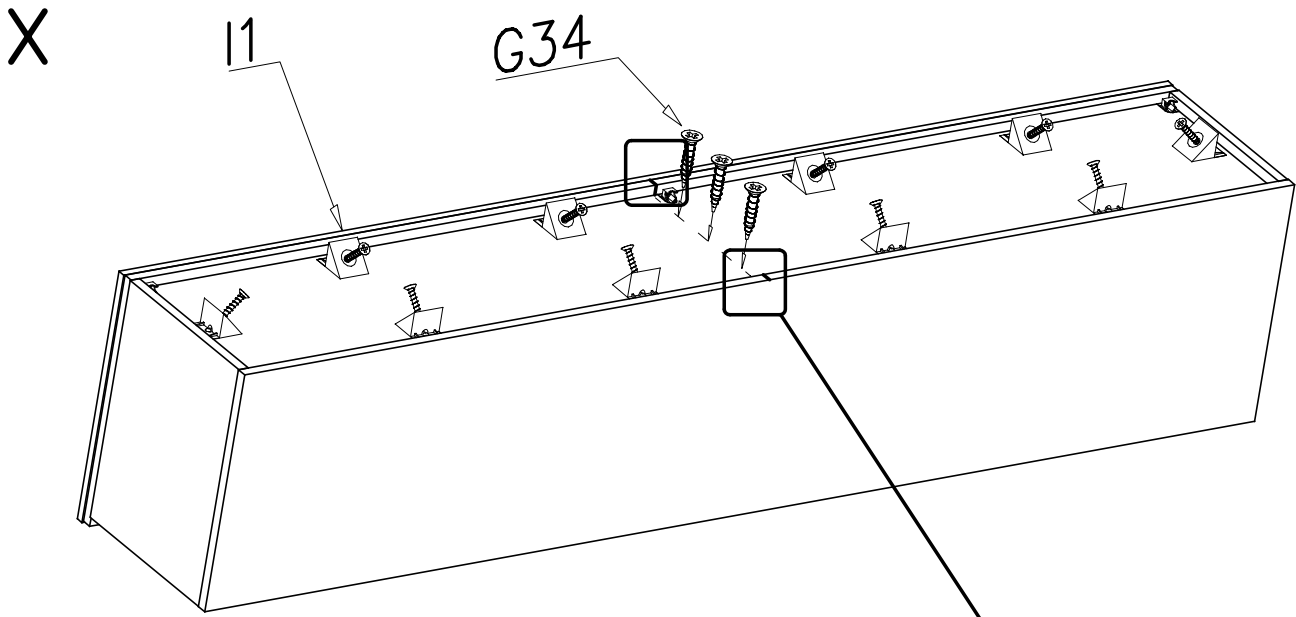
Ver. 2



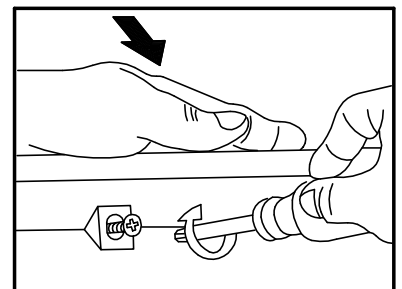
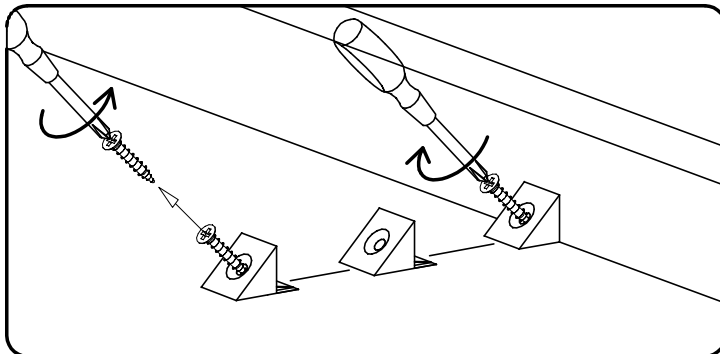
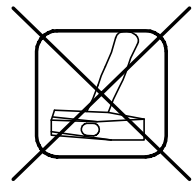
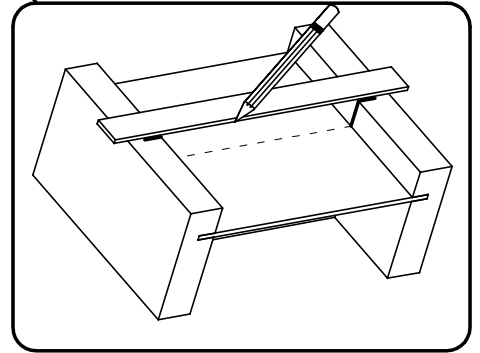
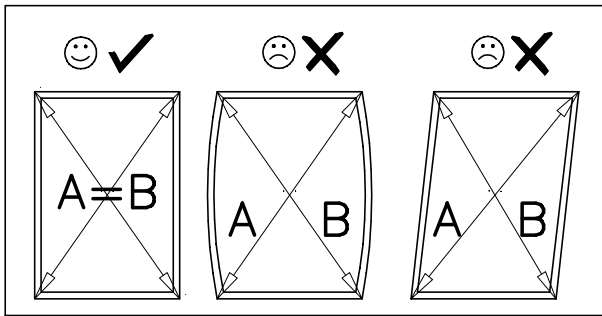
IX

Ver. 3

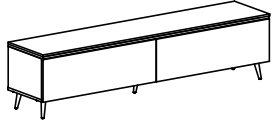




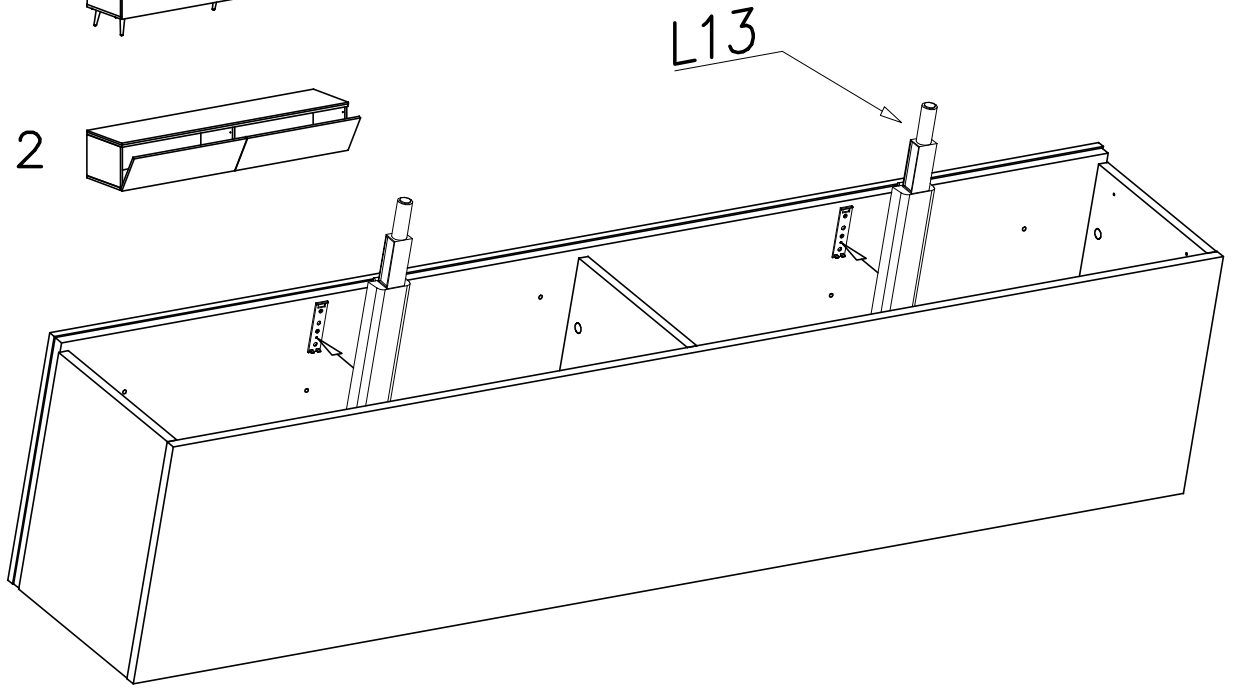
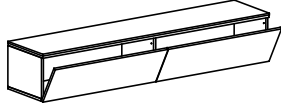
A = B



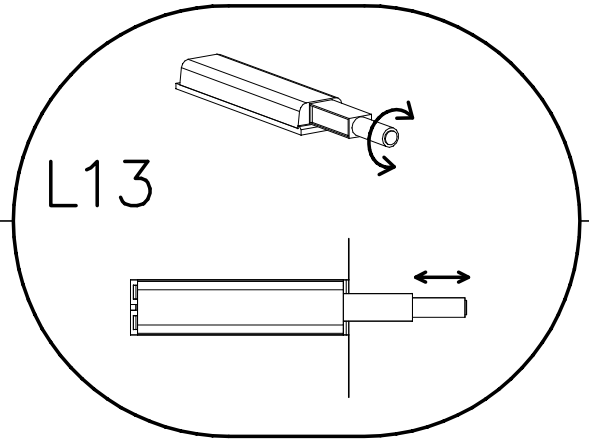
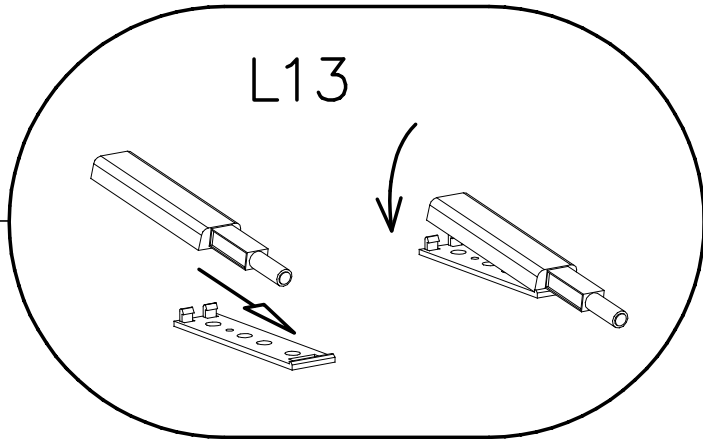
XI Ver. 1



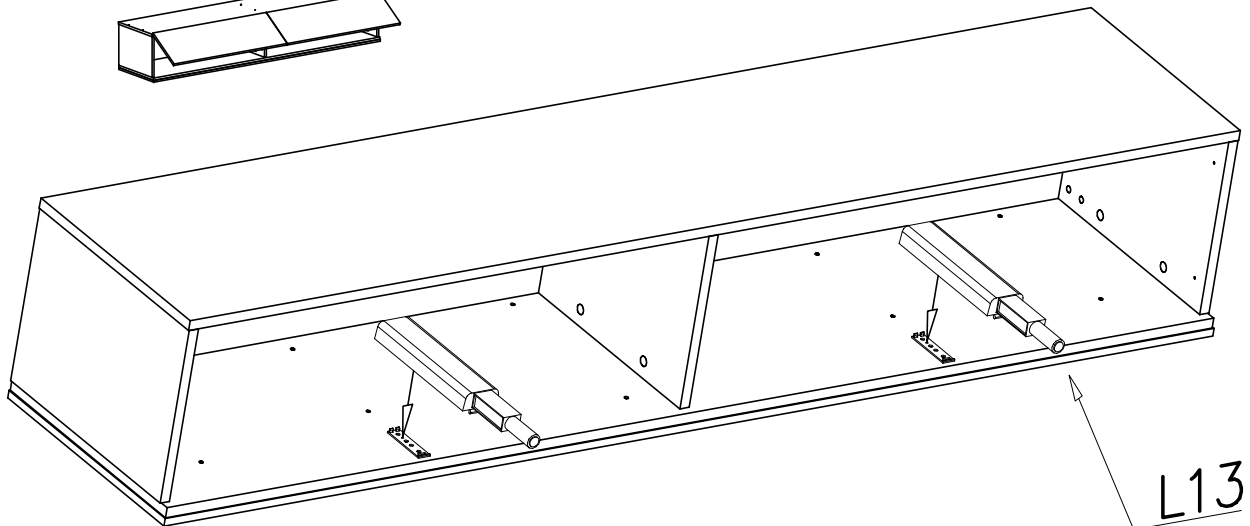
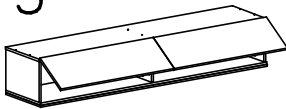
Ver. 2



XII

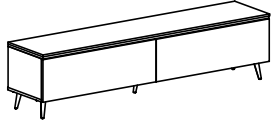


Ver. 3

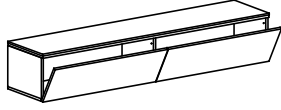


XIII

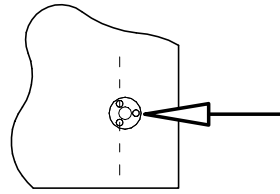
Ver. 1



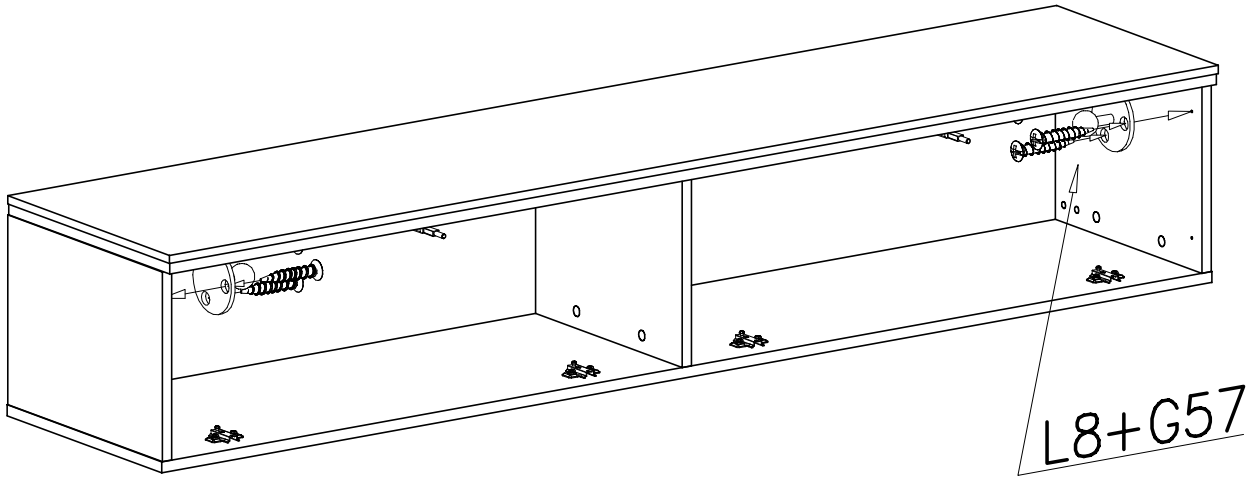
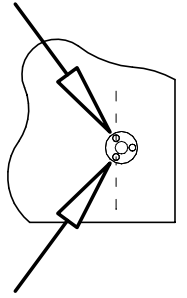
Ver. 2



1.

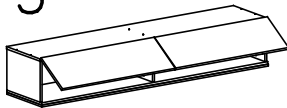


2.

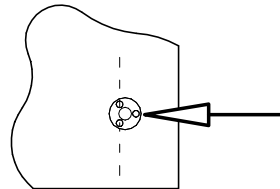


XIV

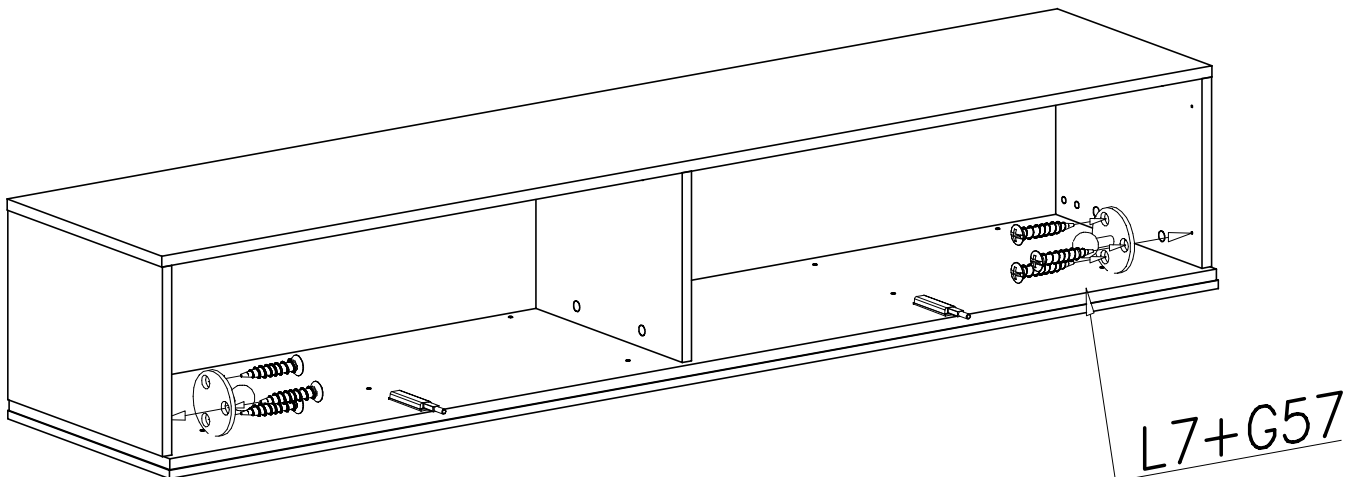
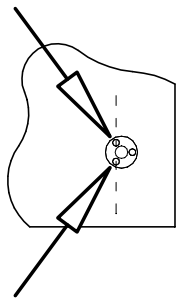
Ver. 3

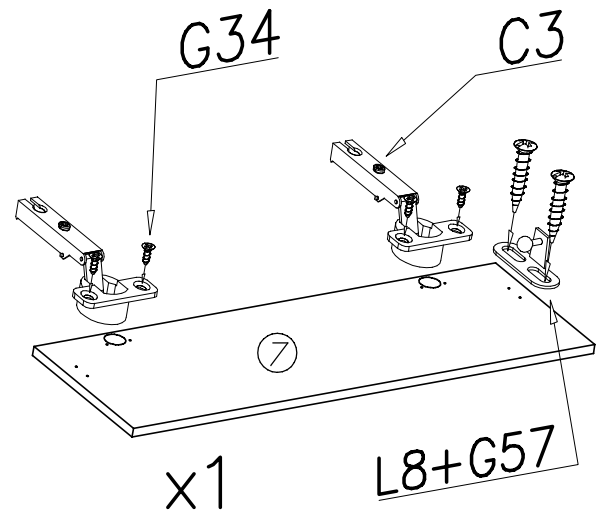
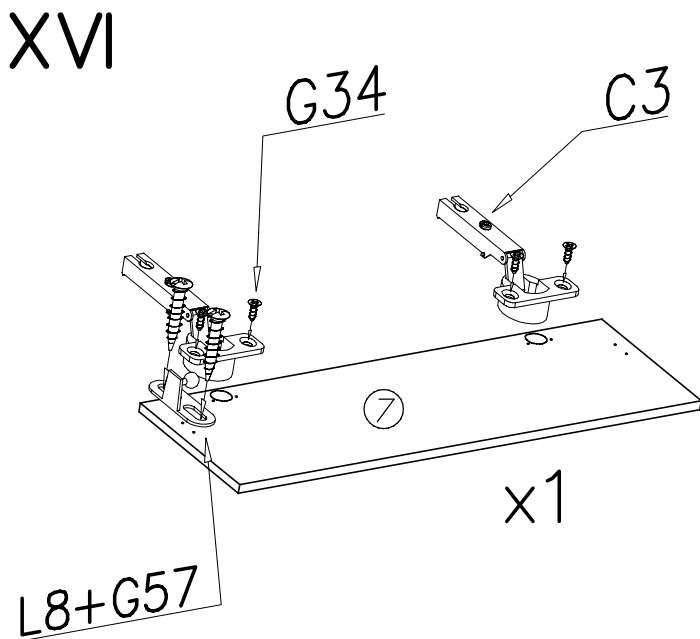
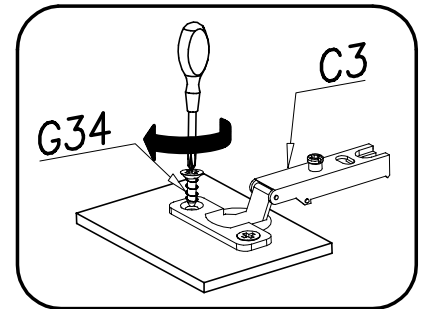
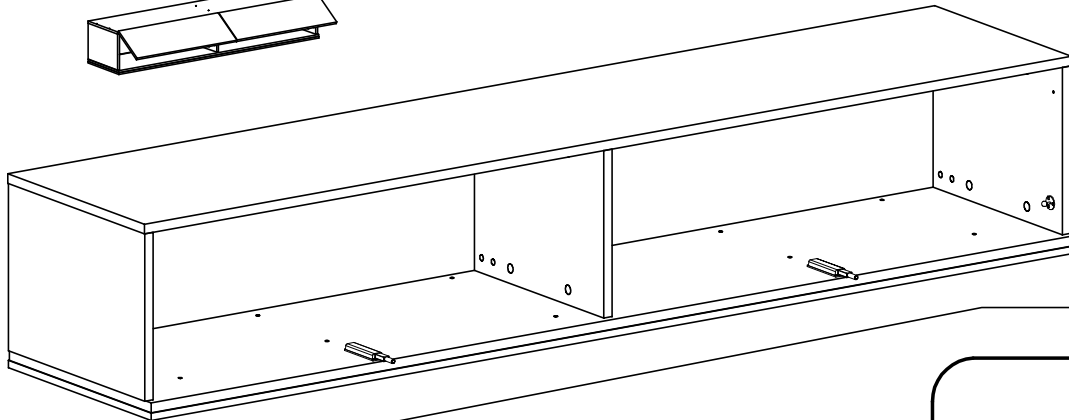
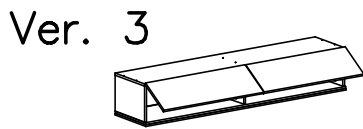
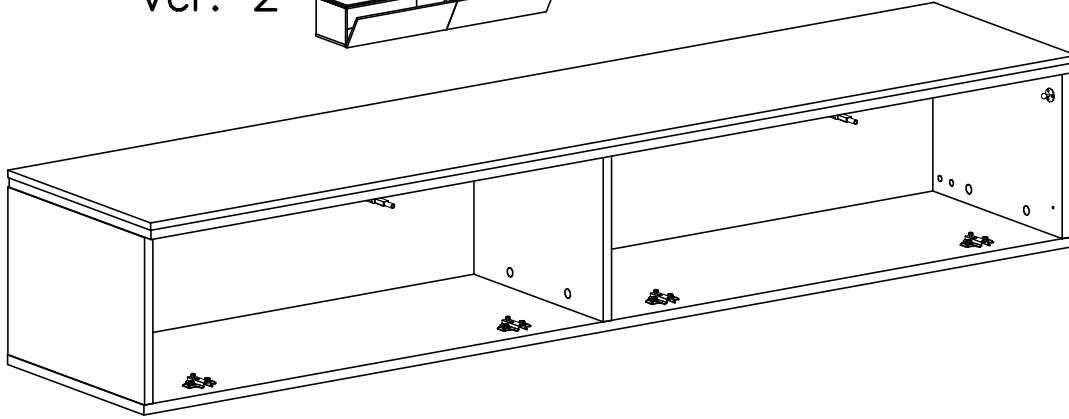
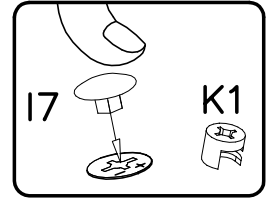
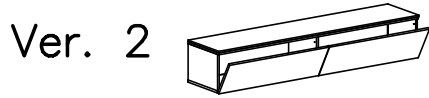
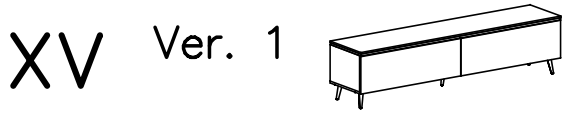


1.



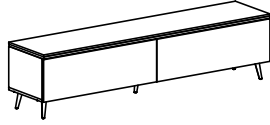
2.



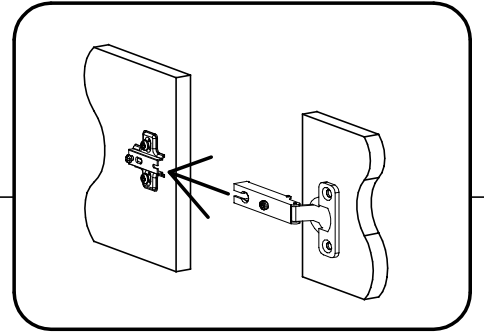
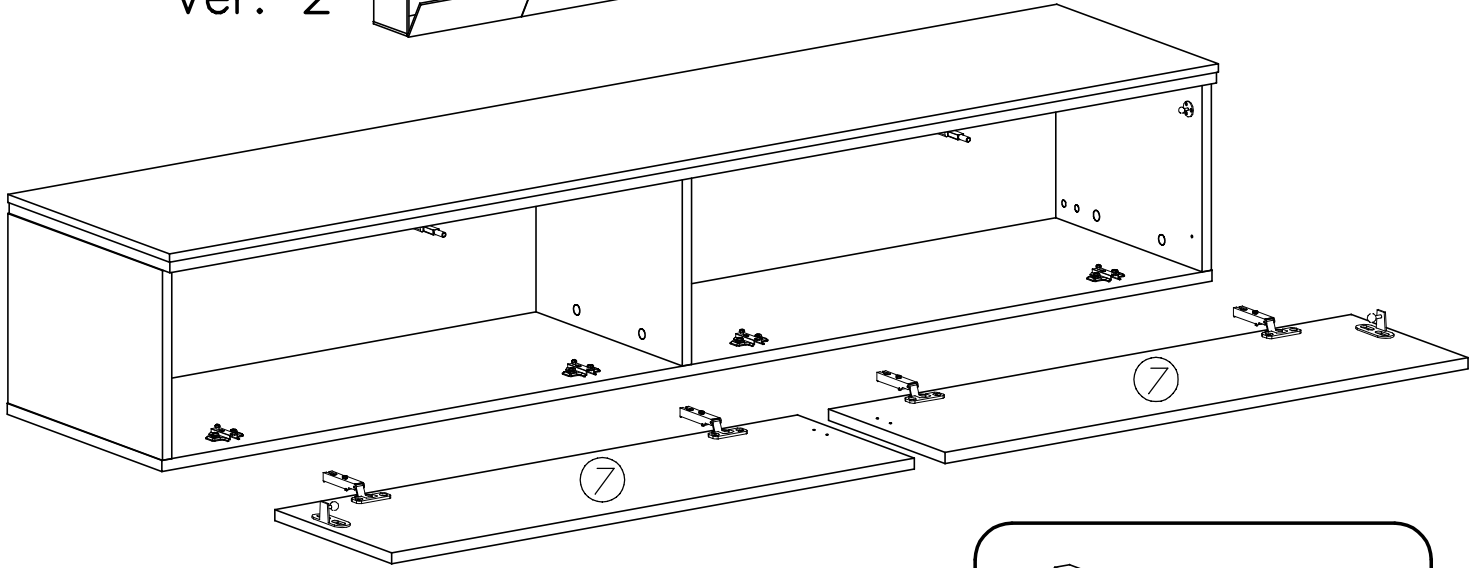
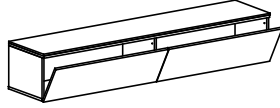


XVII

Ver. 1

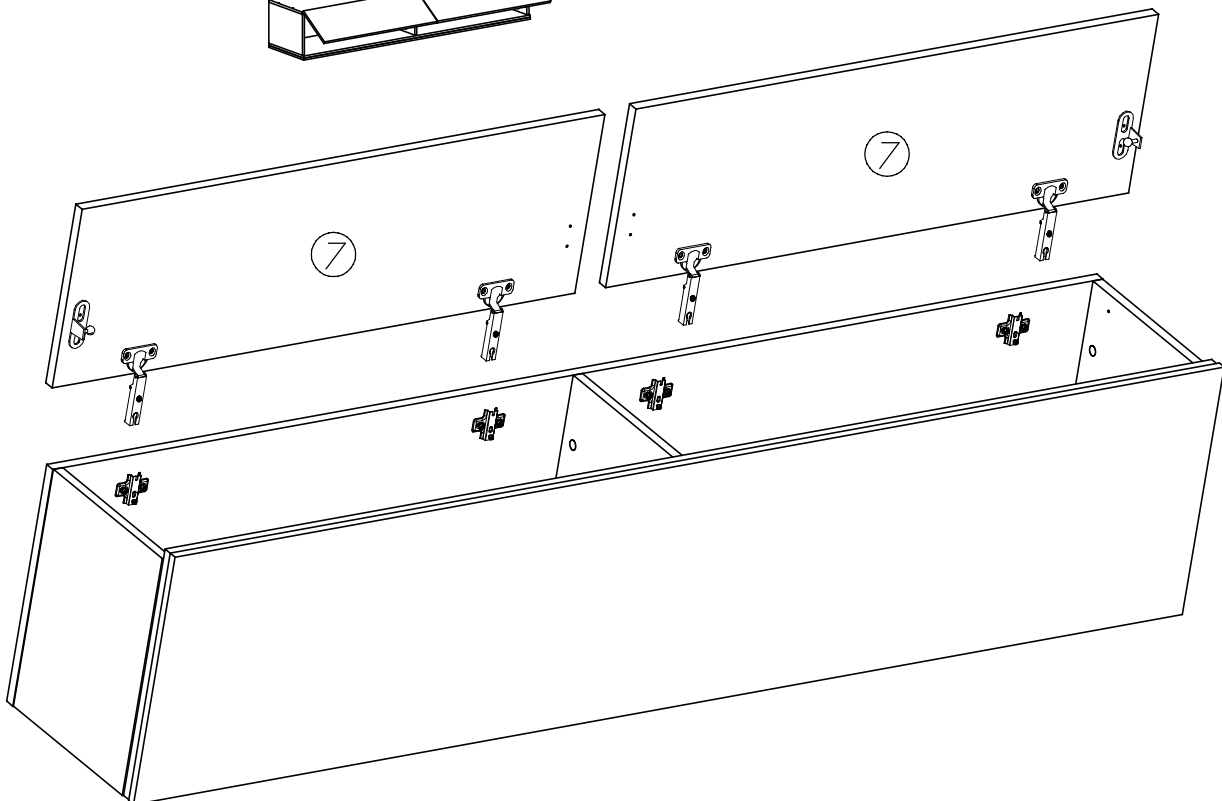
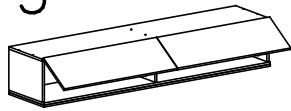


Ver. 2



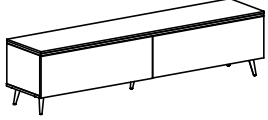
XVIII

Ver. 3

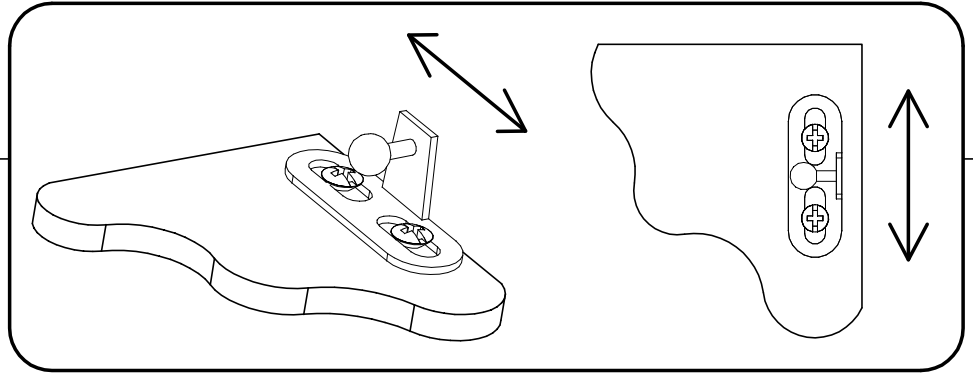
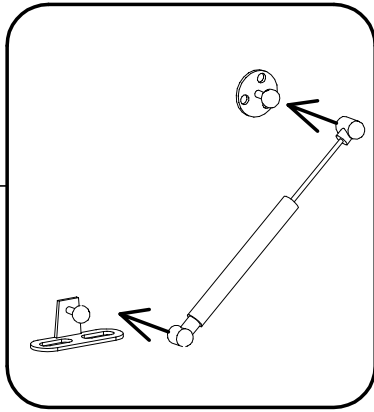
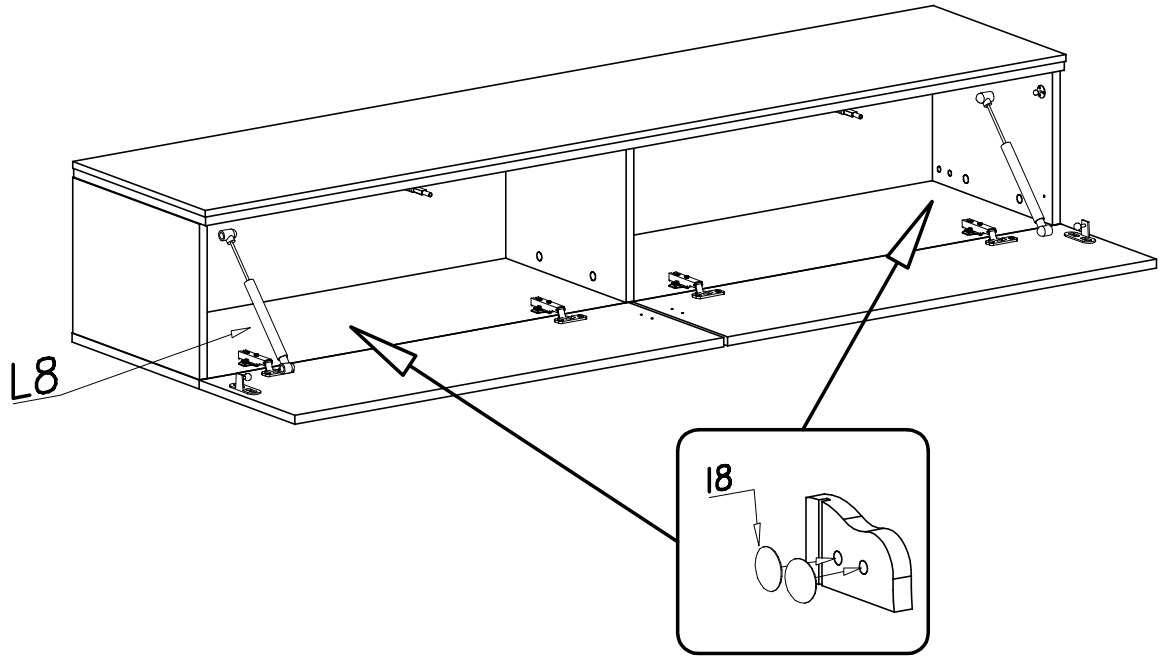
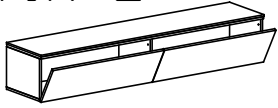


XIX

Ver. 1

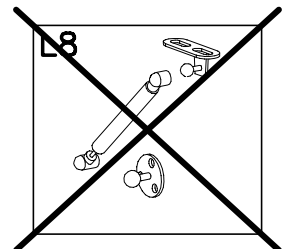
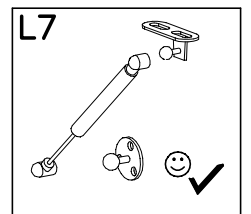
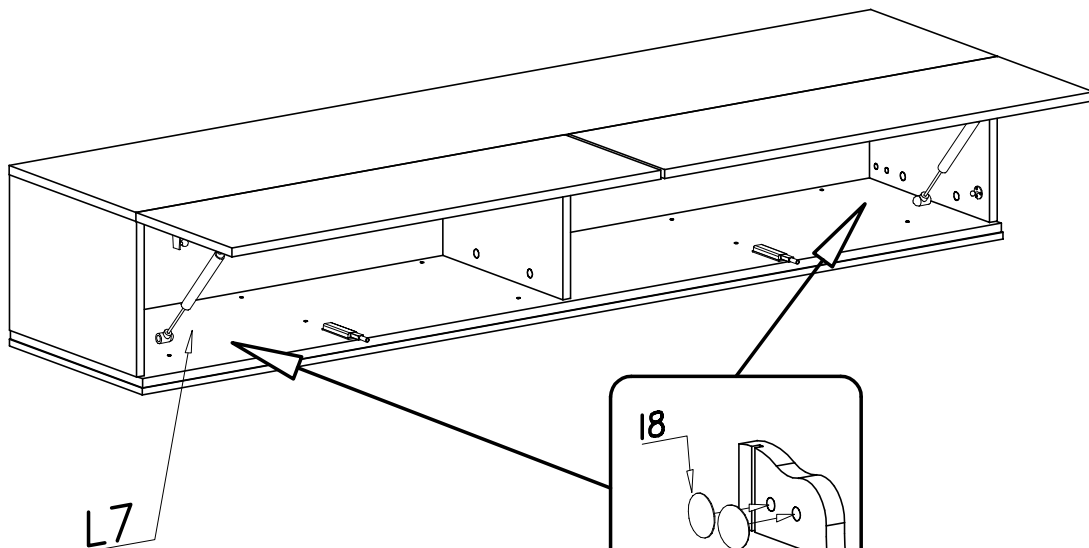
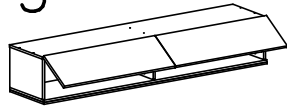


Ver. 2



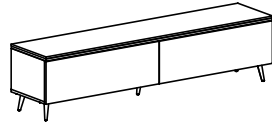
XX

Ver. 3

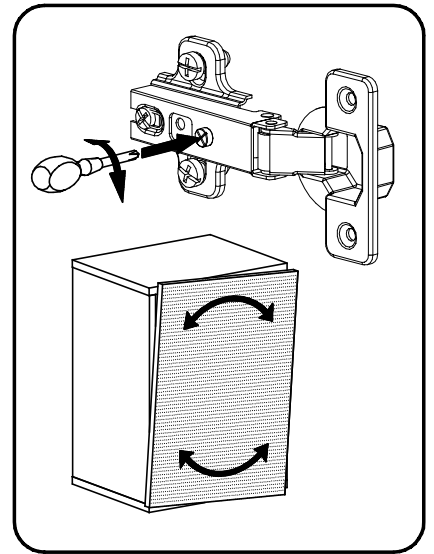
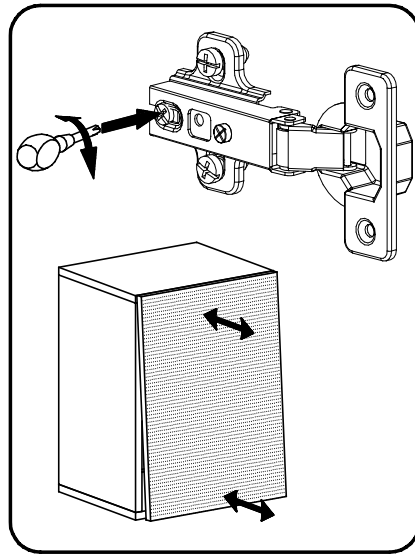
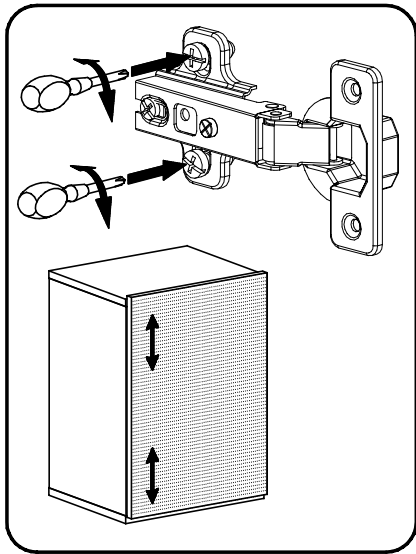
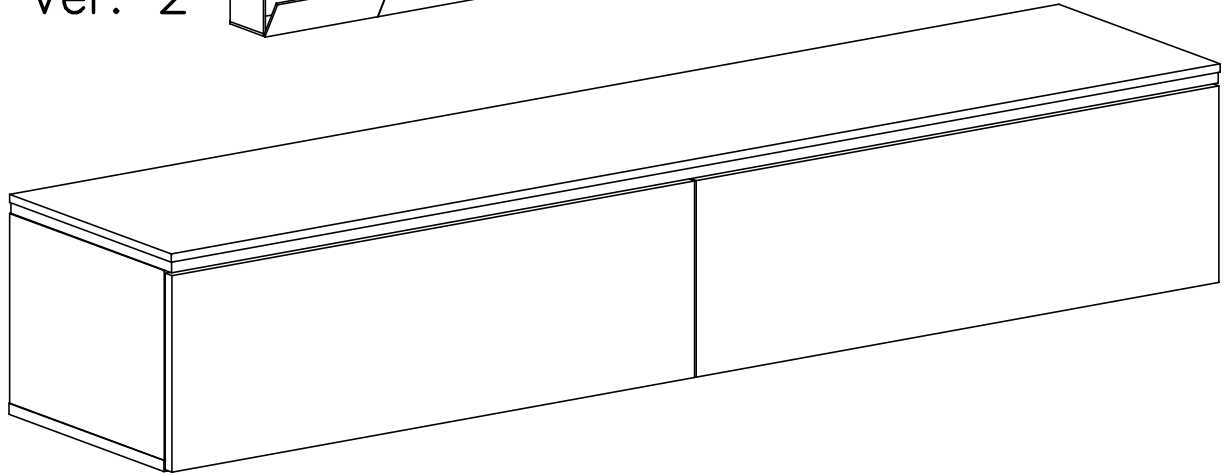
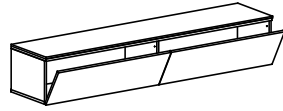


XXI

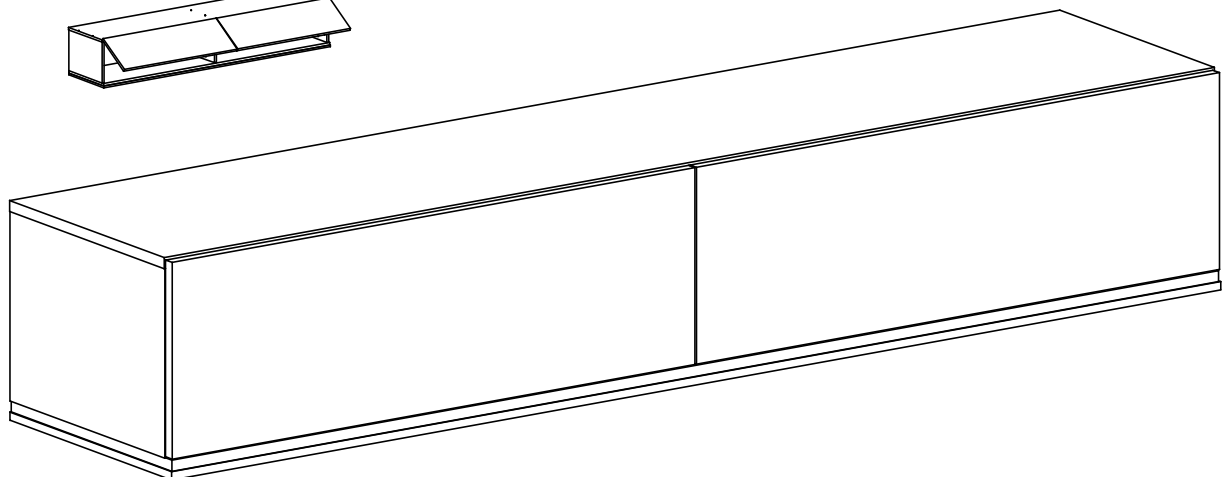
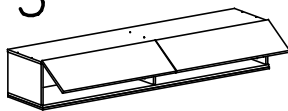
Ver. 1



Ver. 2



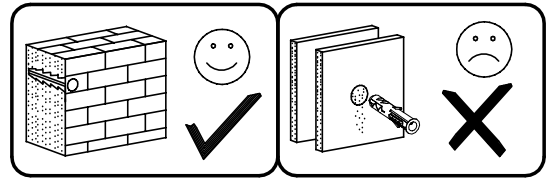
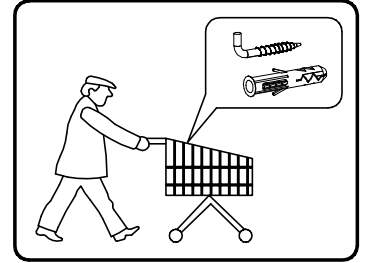
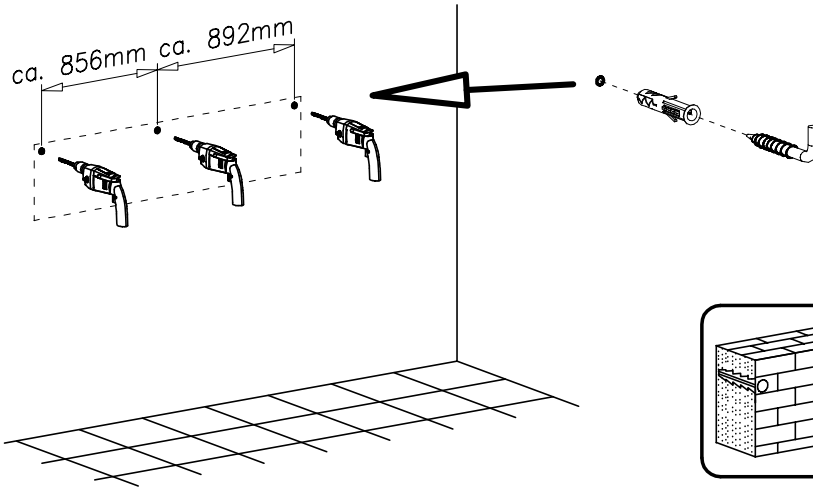
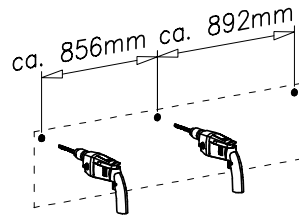
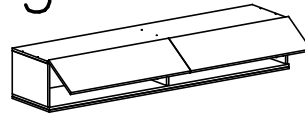
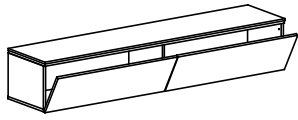
Ver. 3



XXII

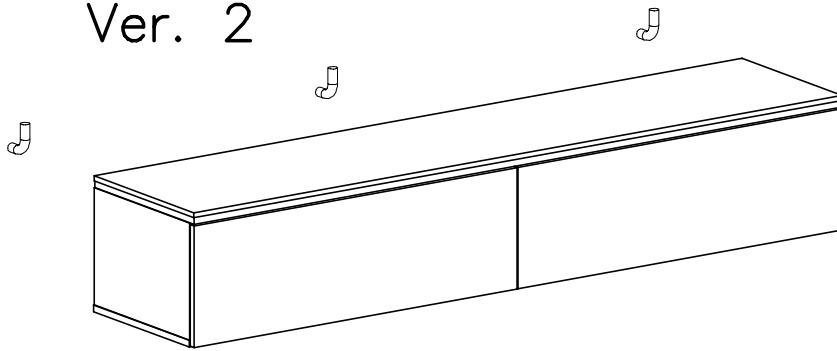
Ver. 2

Ver. 3

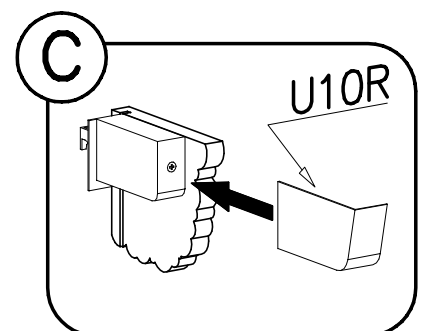
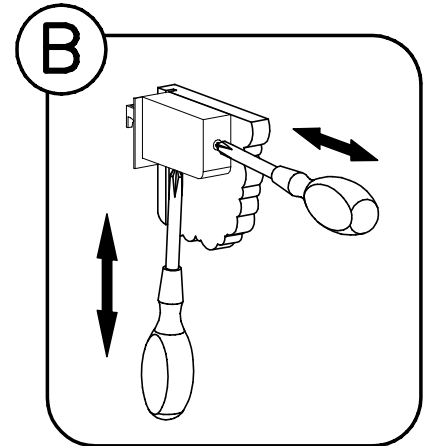
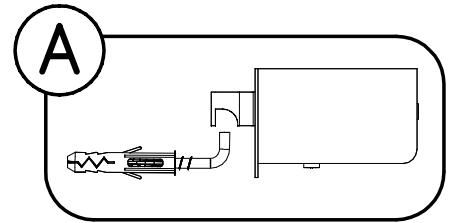
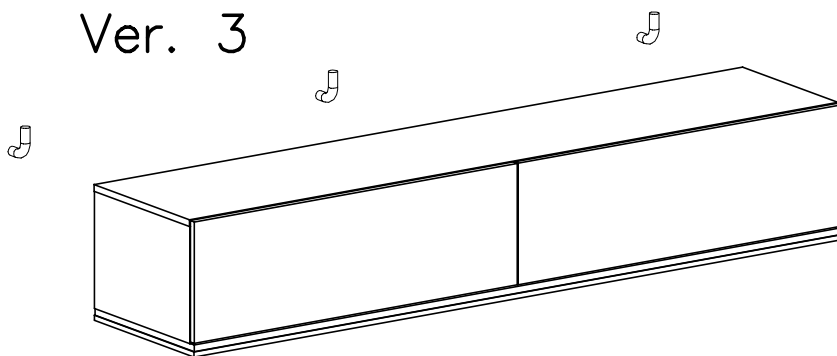


XXIII

Ver. 2



Ver. 3



XXIV Ver. 1

