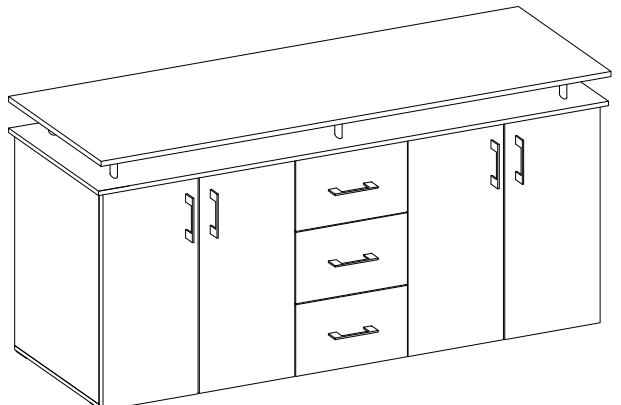
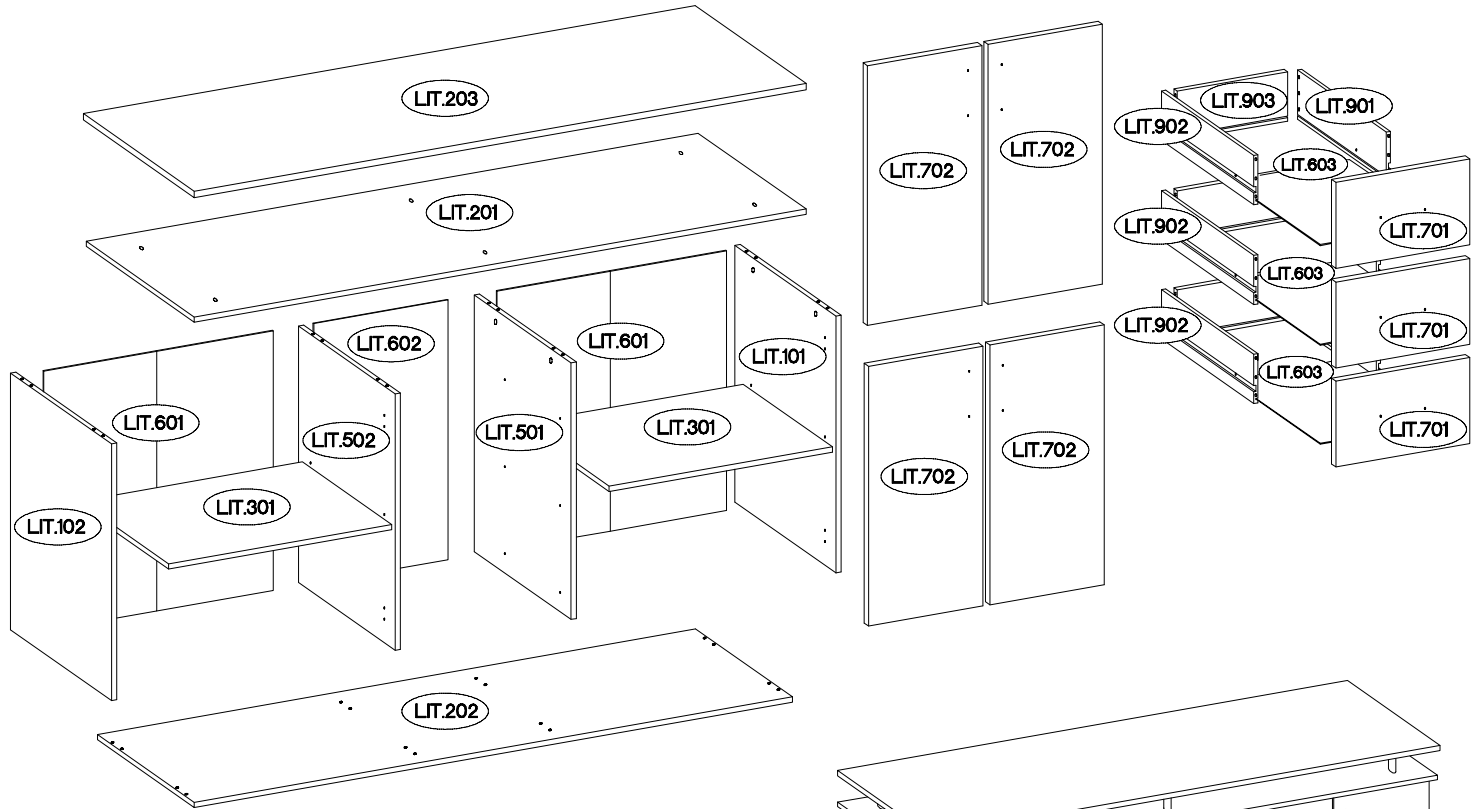
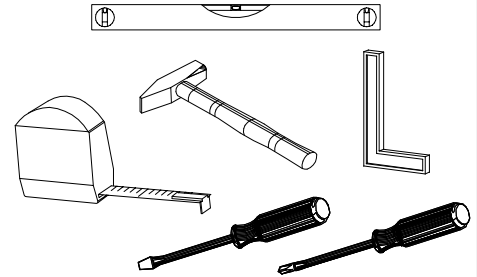
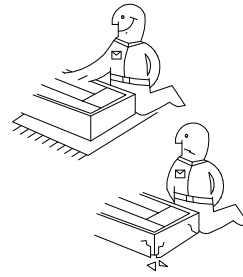
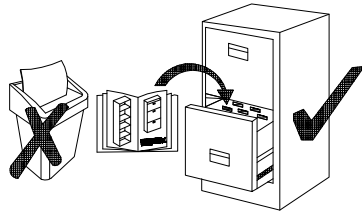
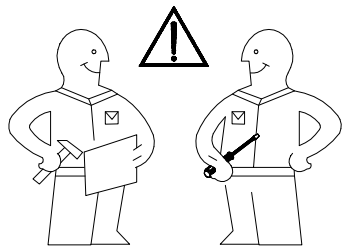


Hergestellt fuer:
 BEGA-Consult GmbH & Co. KG,
 Prymonter St. 78, 32676 Luegde/Germany



Coli	Ersatzteil Nummer	mm
1/2	LIT.101	729x345x15
	LIT.102	729x345x15
	LIT.501	729x345x15
	LIT.502	729x345x15
	LIT.702 x4	738x300x15
	LIT.601 x2	756x665x2,5
	LIT.901 x3	310x180x12
	LIT.902 x3	310x180x12







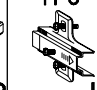
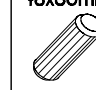


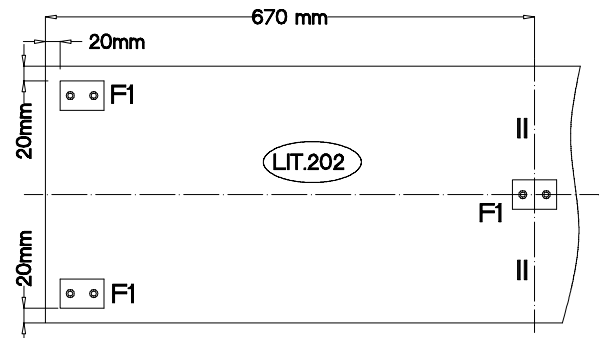
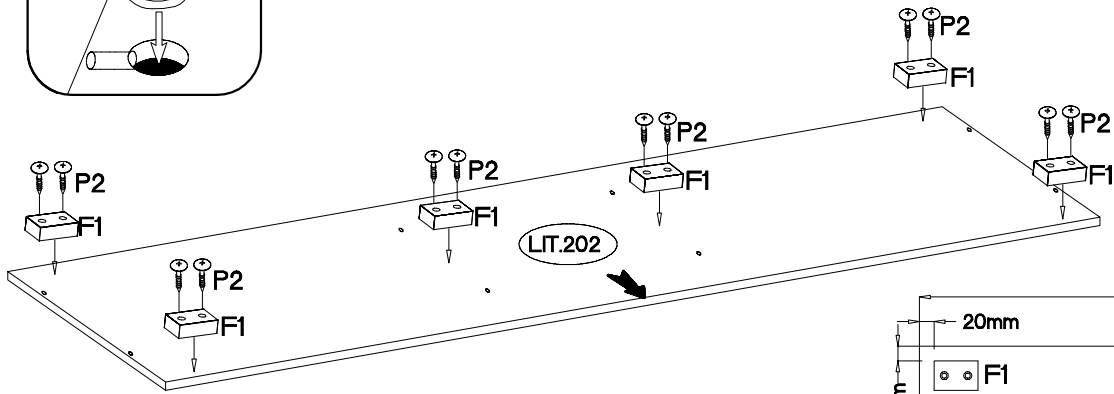
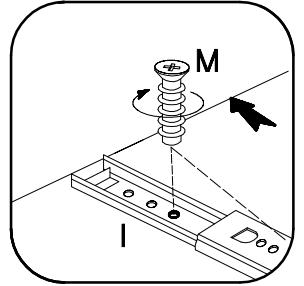
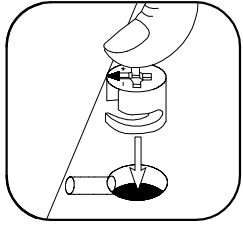
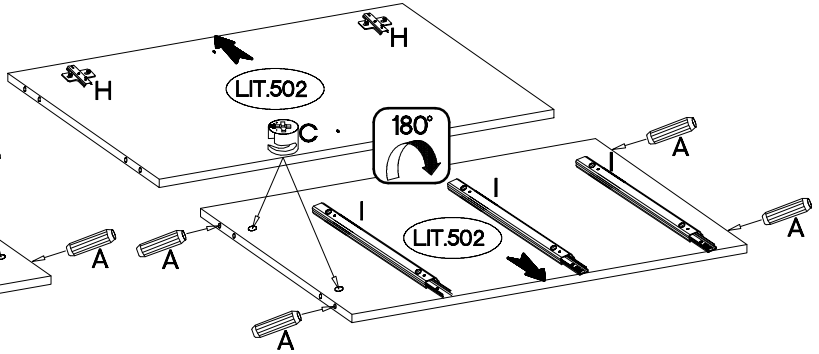
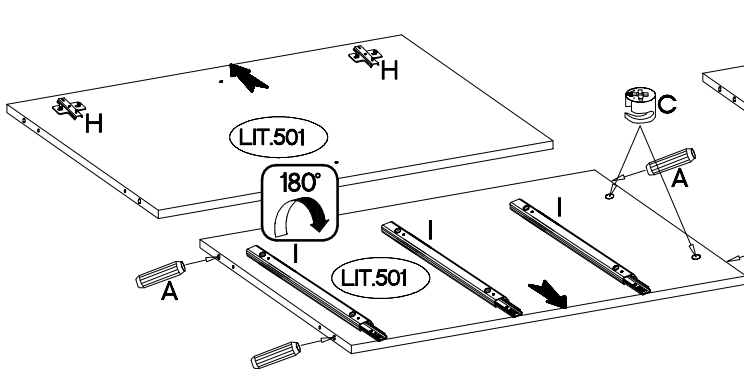
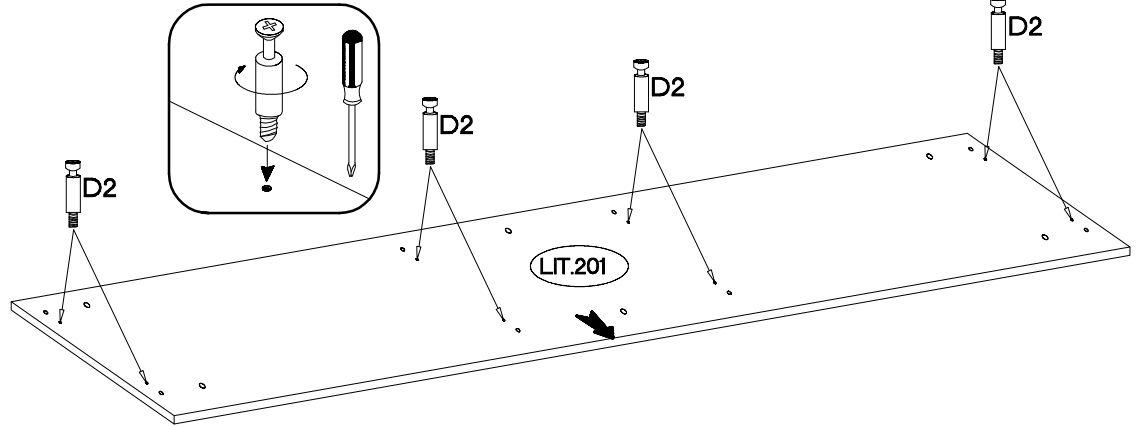
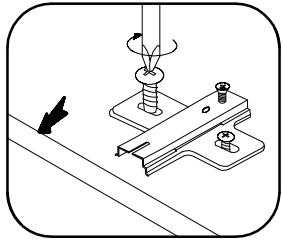
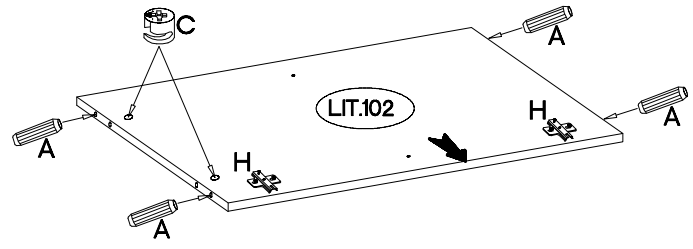
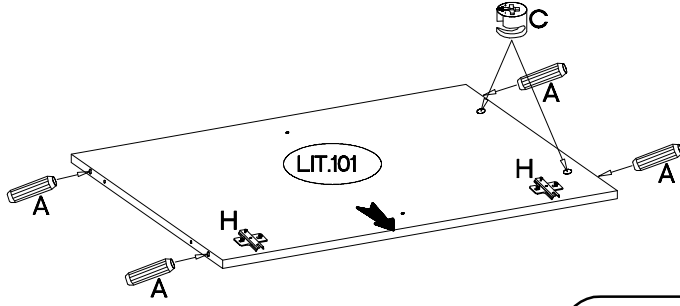
Coli	Ersatzteil Nummer	mm
2/2	LIT.203	1765x385x18
	LIT.201	1765x375x15
	LIT.202	1725x345x15
	LIT.301 x2	644x290x15
	LIT.701 x3	385x244x15
	LIT.602	756x387x2,5
	LIT.603 x3	306x352x2,5
	LIT.903 x3	342x180x12

1	6	6	6	6	6	54	12	7
14	8	1	6	12	3	1	8	4
46	8	8	4	6	12	4	17	8

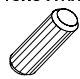

P-ISM-LIT-01

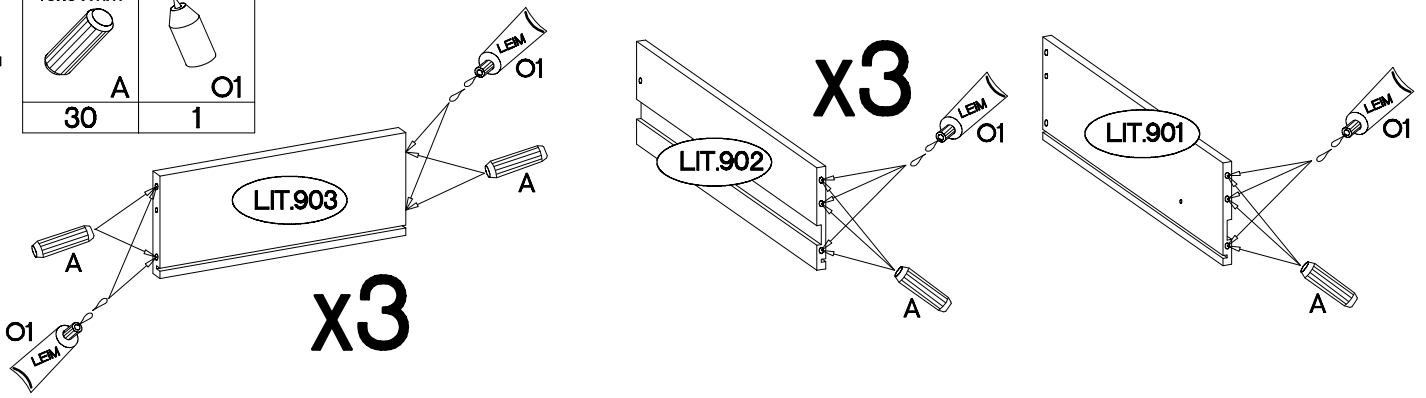
1.

							
#5/12mm	L=20mm	20x61x40,5	#4.0x20mm	#5.0x13mm	17/310mm	H=0	#8x30mm
C	D2	F1	P2	M	I2	H	A
8	8	6	12	12	3	8	16





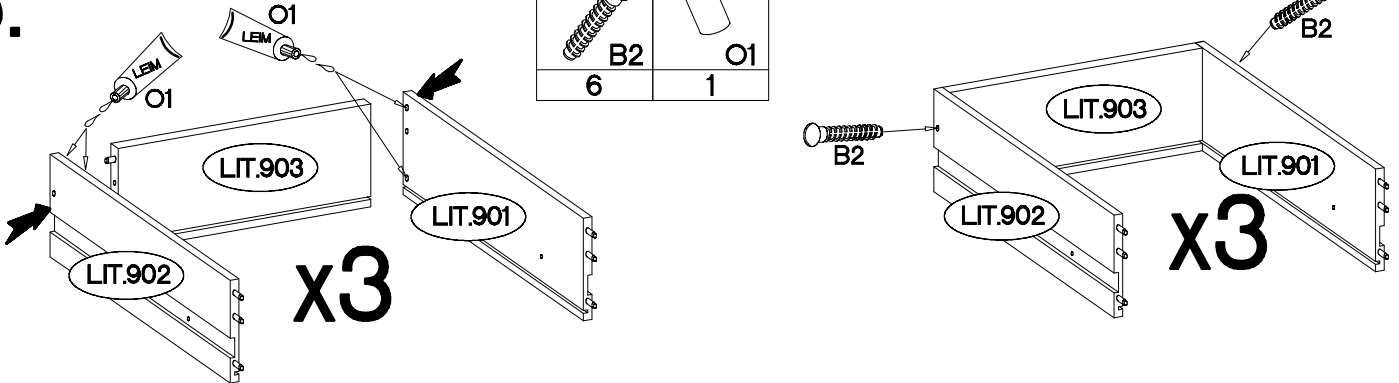
2.

$\varnothing 8 \times 30 \text{mm}$		
30	A	O1




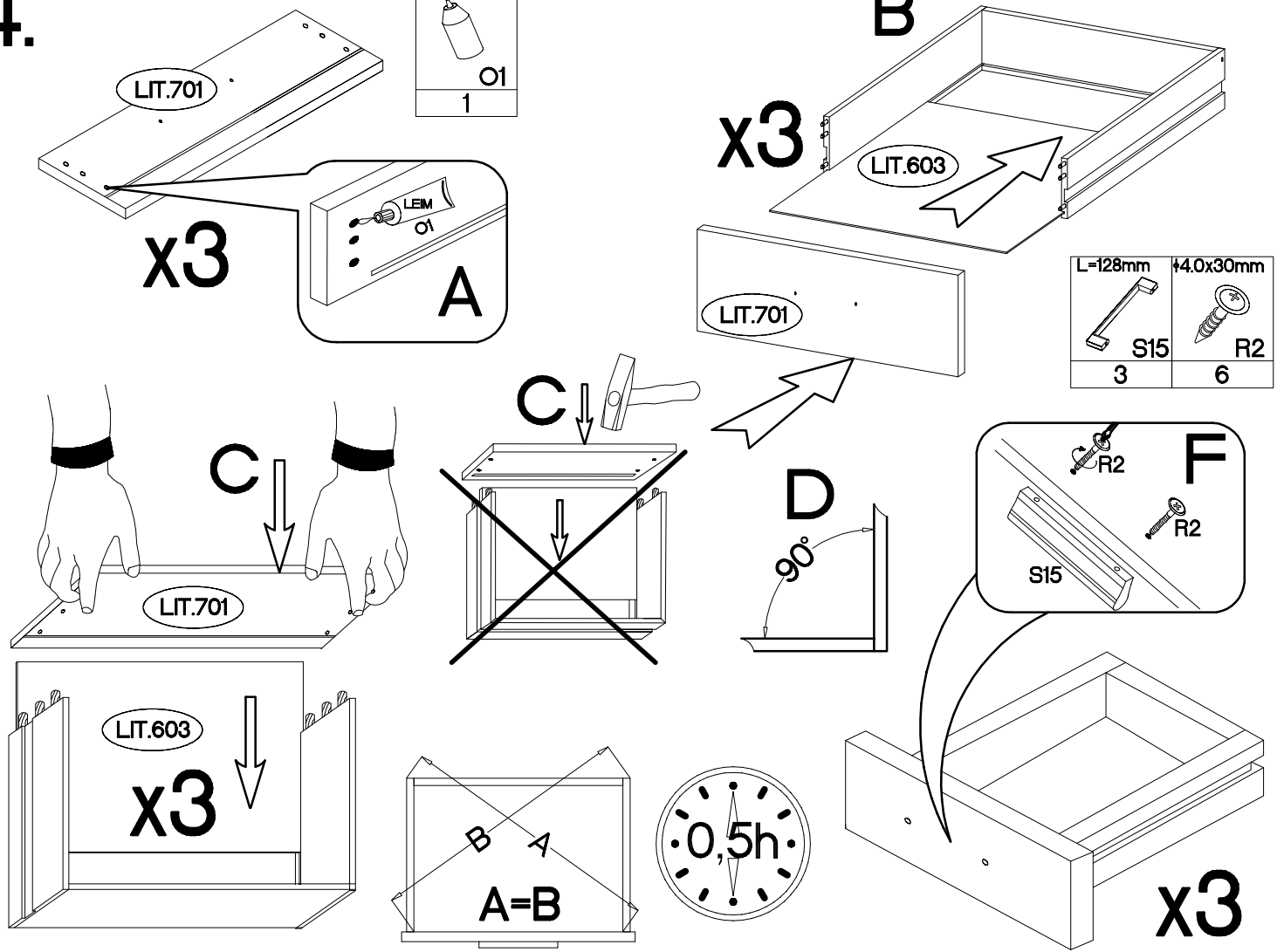
3.



$\varnothing 6 \times 42 \text{mm}$		
6	B2	O1






4.

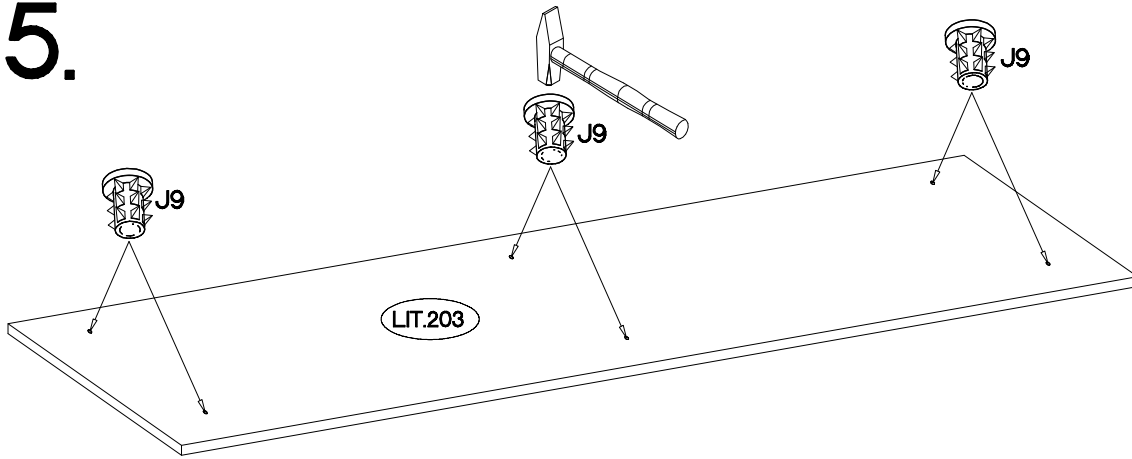
	O1
1	



L=128mm	$\varnothing 4.0 \times 30 \text{mm}$
	
3	6

	F
	R2
	S15

5.



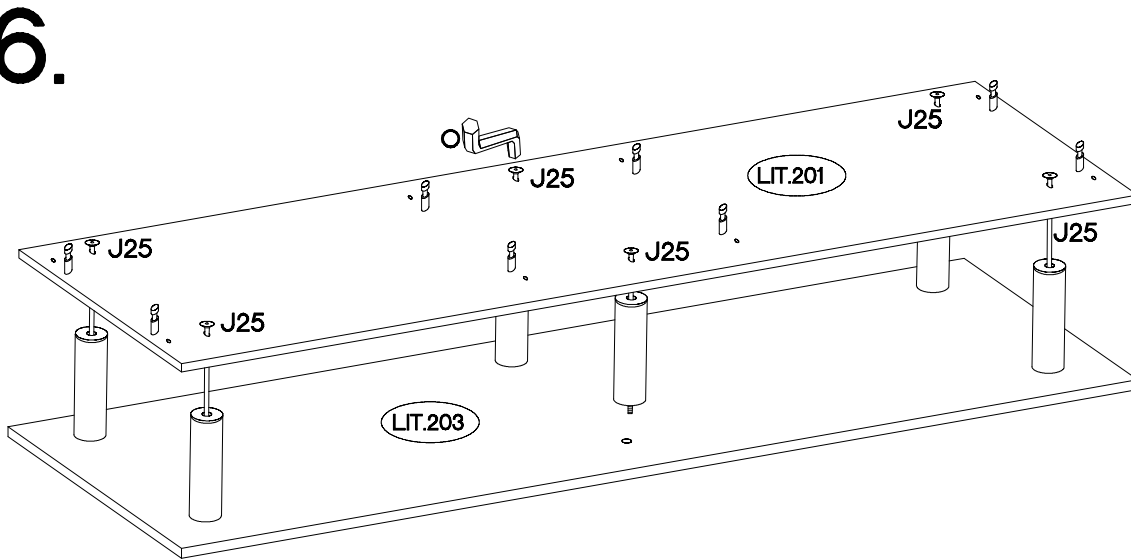
±8/11mm



J9

6

6.



±28/100mm L=130mm



J24

6



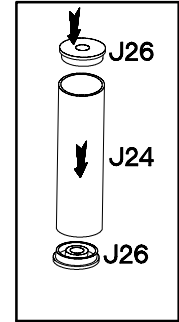
J25

6



J26

6



1

7.

6,4 x 50mm



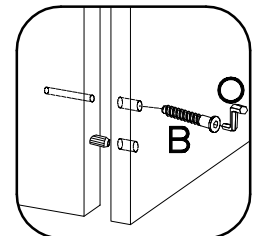
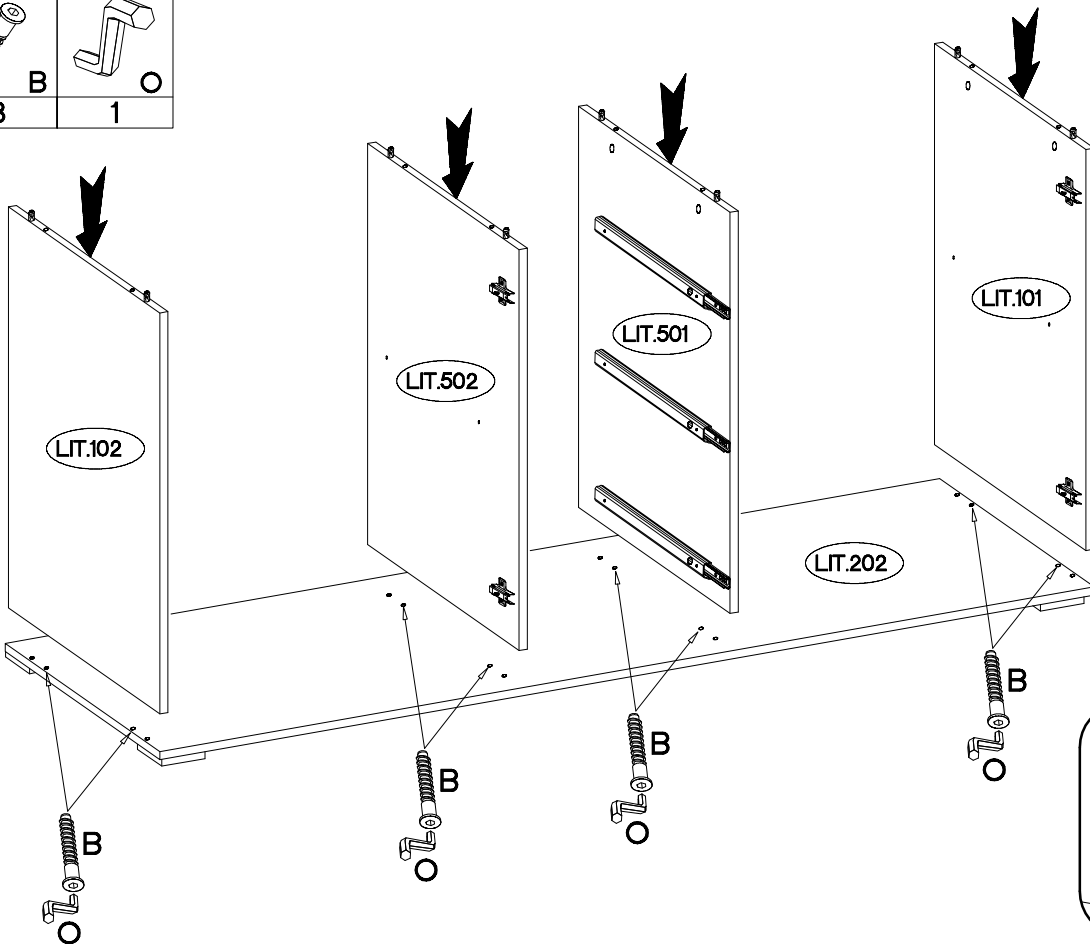
B

8

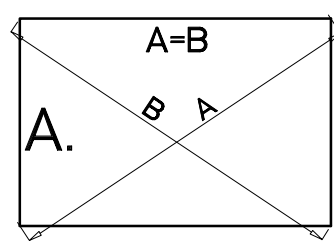
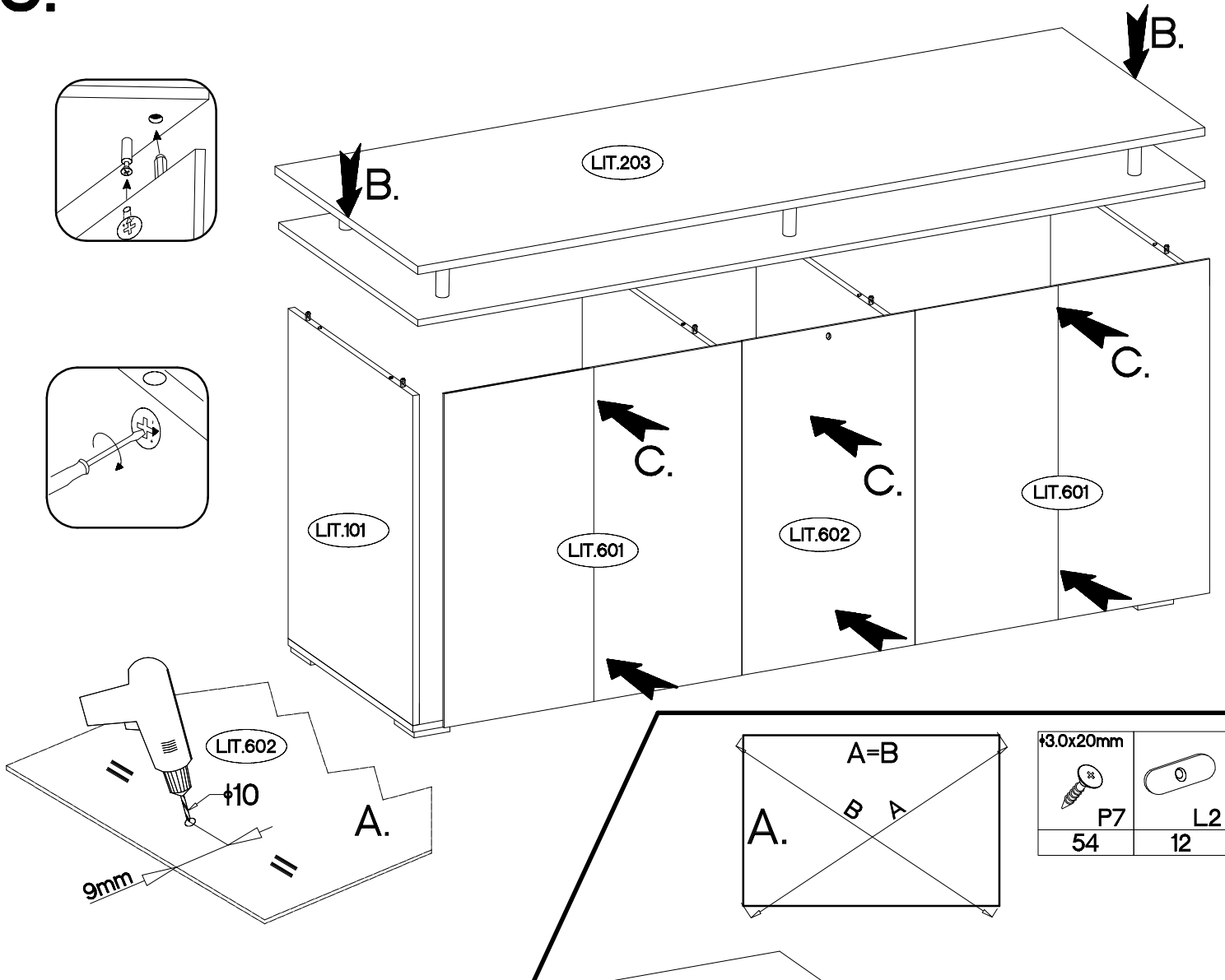


O

1

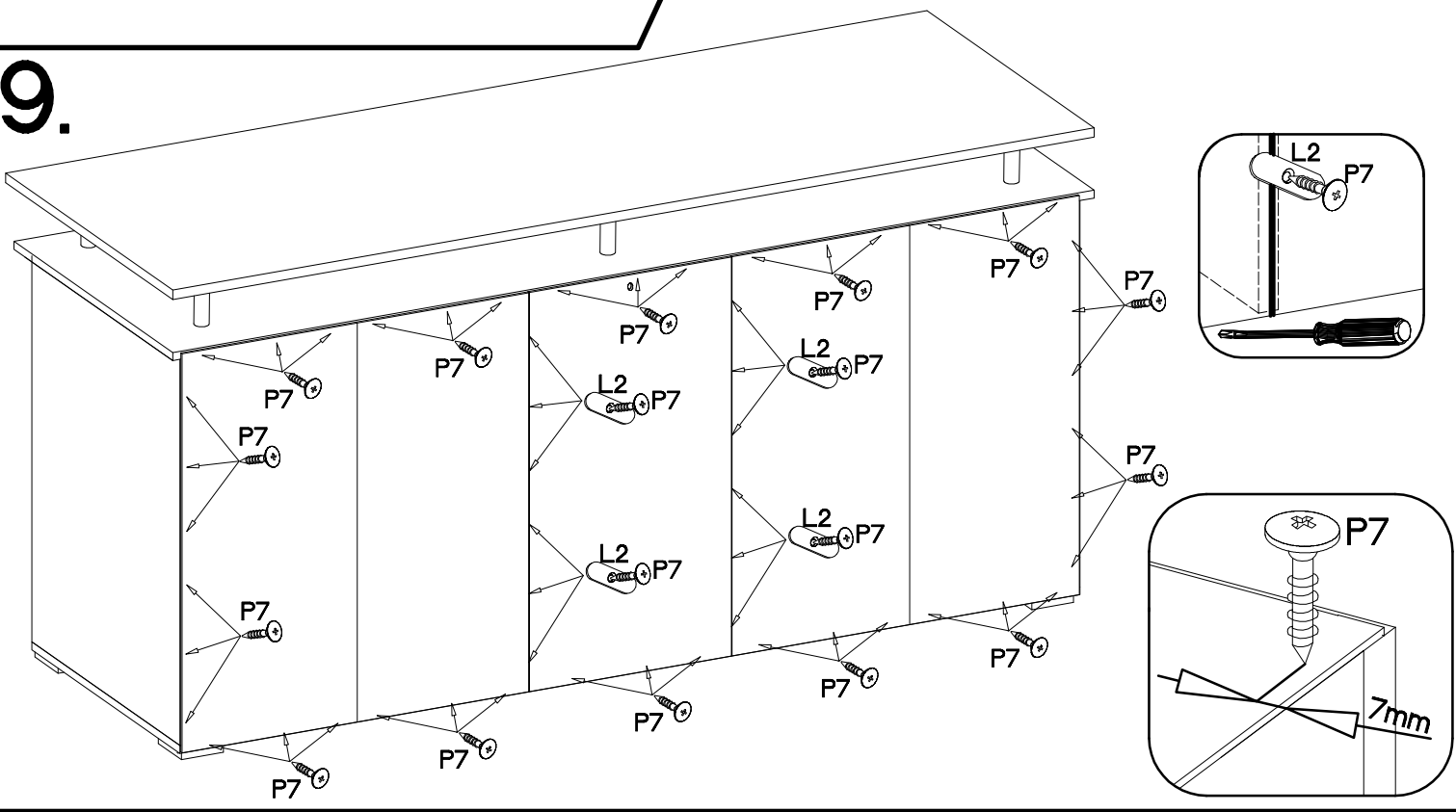


8.






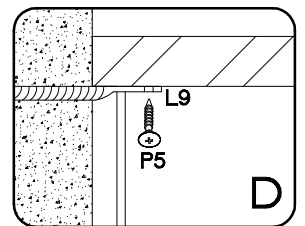
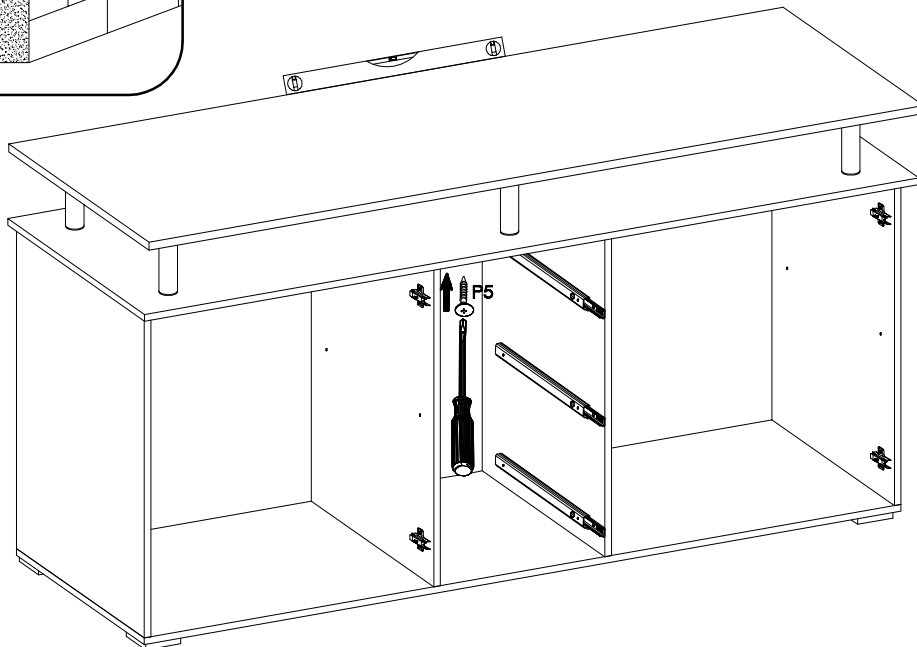
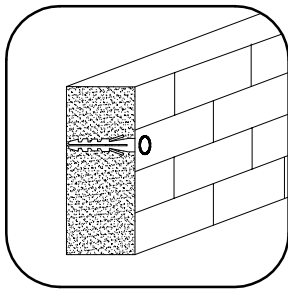
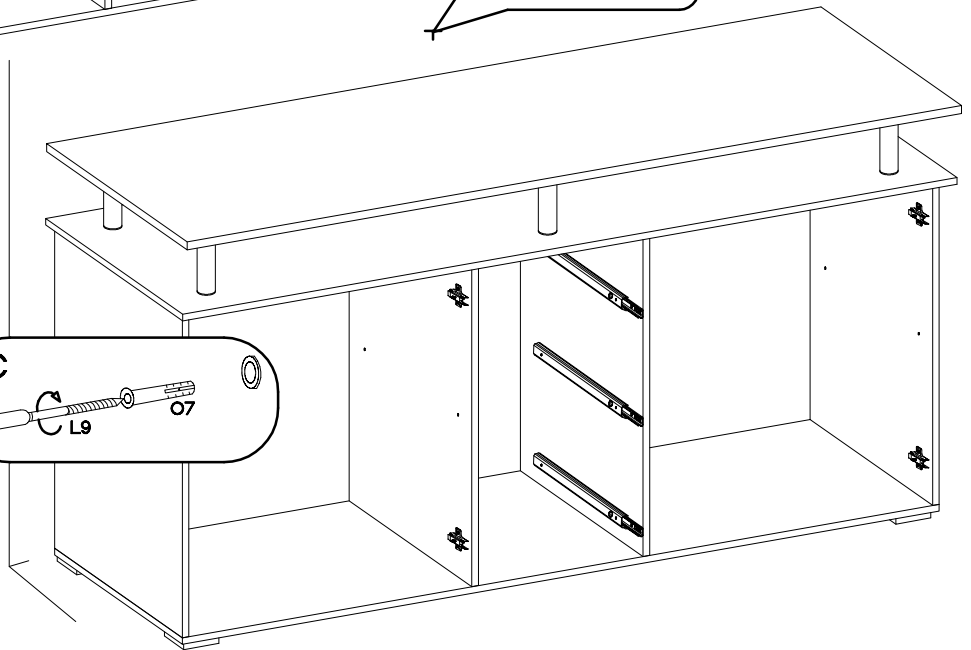
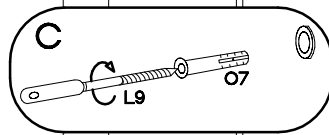
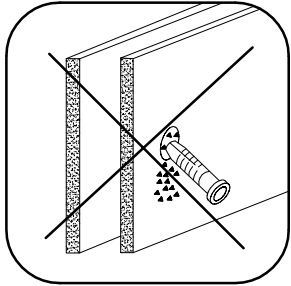
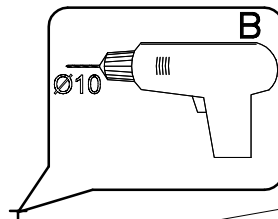
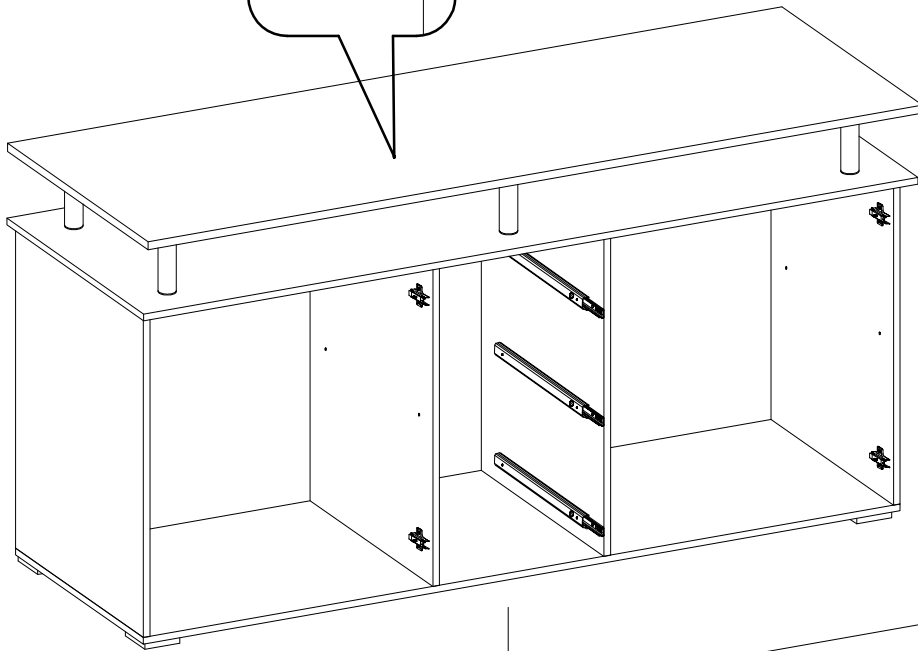
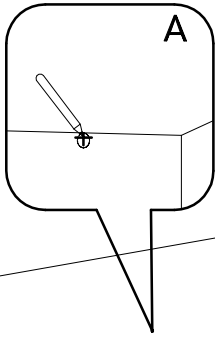
$\varnothing 3.0 \times 20 \text{mm}$	
54	12

9.

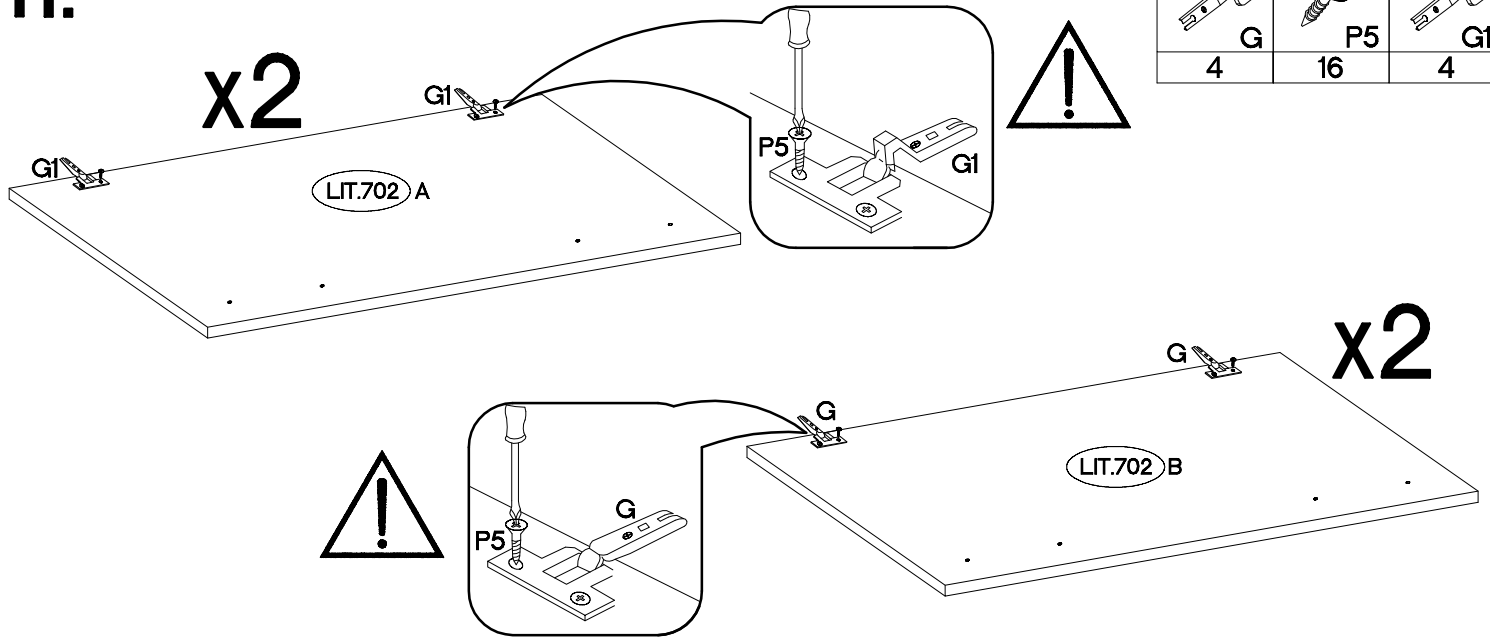


10.

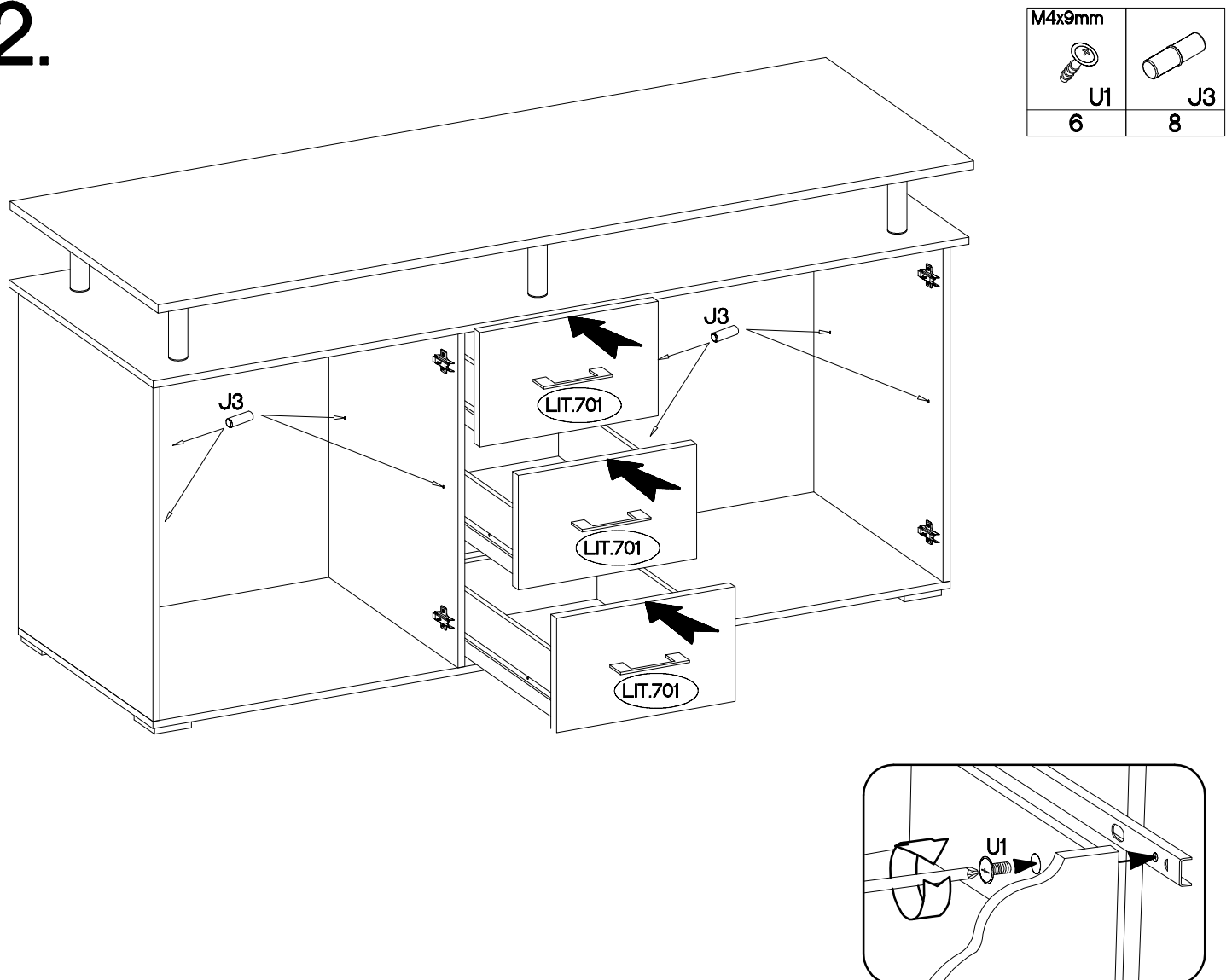
		
L9	O7	P5
1	1	1






11.



12.



13.

L=128mm  S15 4	H4.0x30mm  R2 8	 E 4
--	---	---

