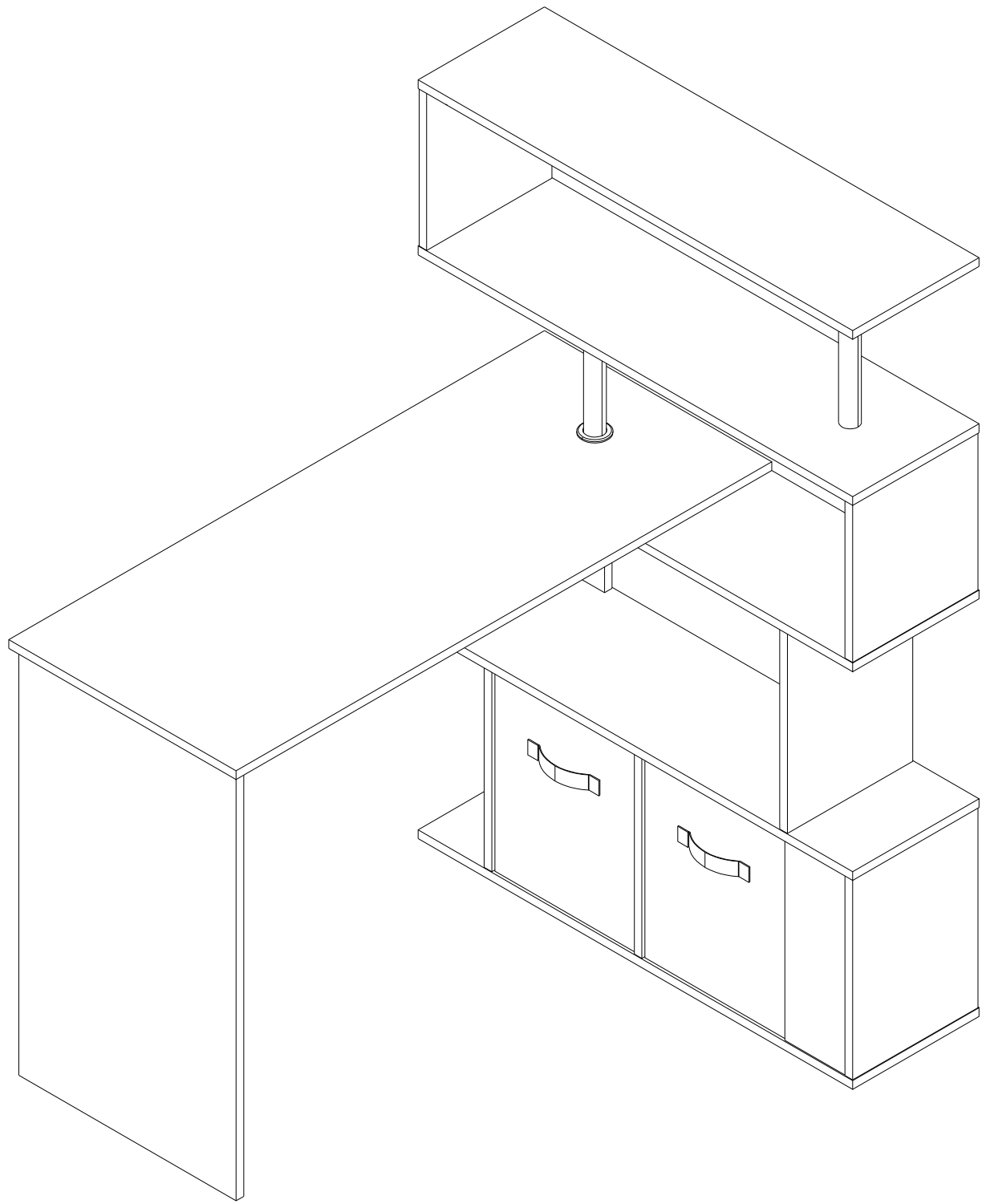
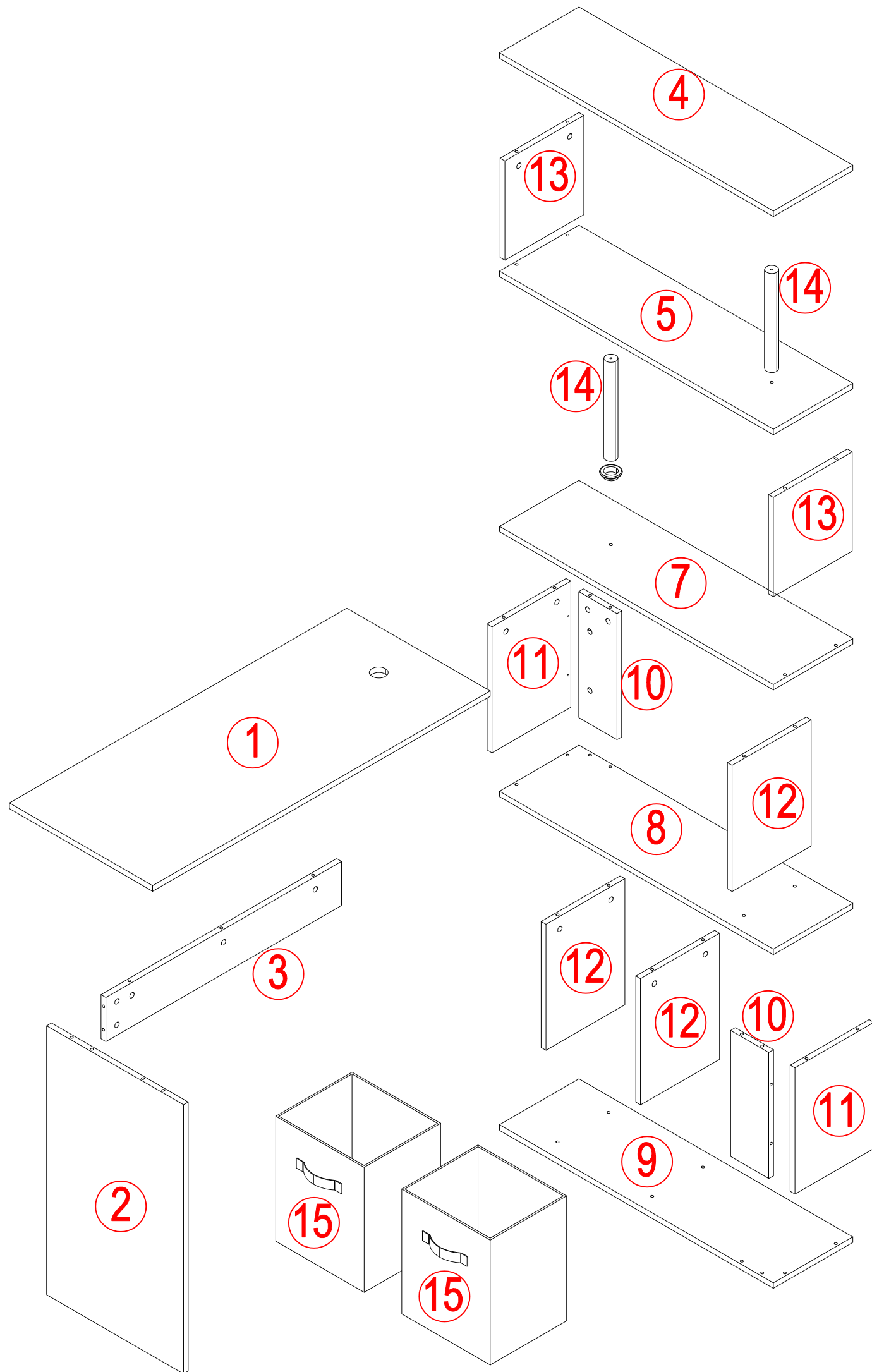
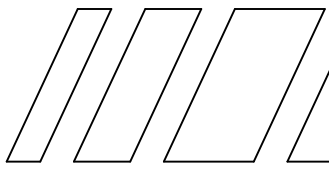


TTDJ010

P.1



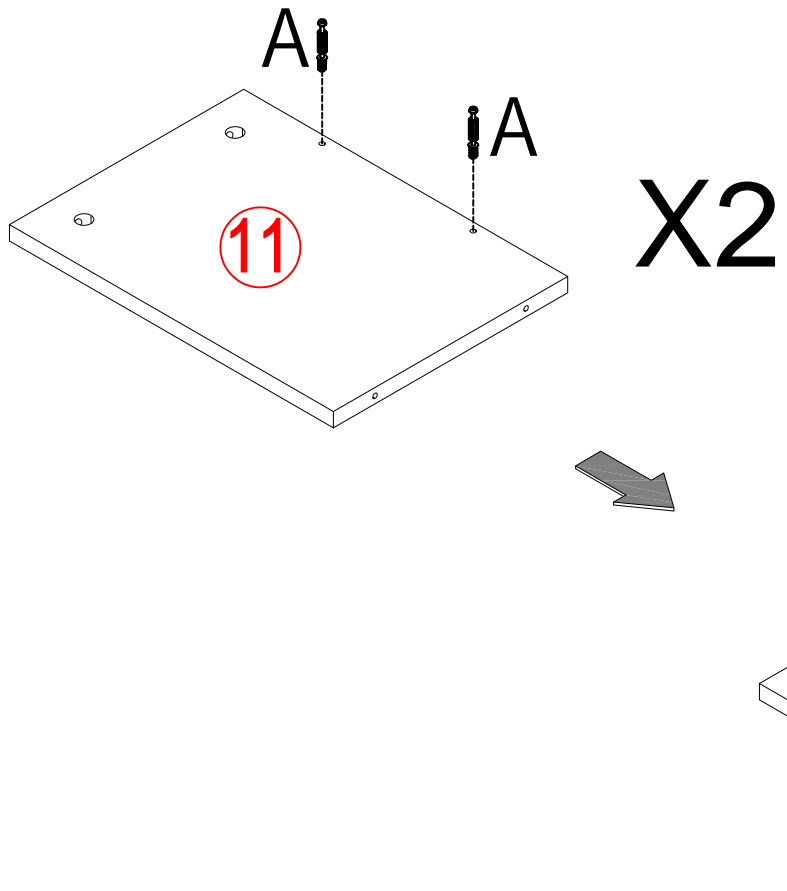




TTDJ010

<p>①</p>	<p>②</p>	<p>③</p>						
<p>④</p>	<p>⑤</p>	<p>⑦</p>						
<p>⑧</p>	<p>⑨</p>	<p>⑩</p> <p>2 PCS</p>						
<p>⑪</p> <p>2 PCS</p>	<p>⑫</p> <p>3 PCS</p>	<p>⑬</p> <p>2 PCS</p>						
<p>⑭</p> <p>2 PCS</p>	<p>⑮</p> <p>2 PCS</p>	<table border="1"> <tr> <td data-bbox="1360 2297 1566 2570"> <p>A M5x42</p> <p>29 PCS</p> </td> <td data-bbox="1566 2297 1772 2570"> <p>B Ø15x12</p> <p>29 PCS</p> </td> <td data-bbox="1772 2297 2016 2570"> <p>C Ø8x40</p> <p>2 PCS</p> </td> </tr> </table>	<p>A M5x42</p> <p>29 PCS</p>	<p>B Ø15x12</p> <p>29 PCS</p>	<p>C Ø8x40</p> <p>2 PCS</p>			
<p>A M5x42</p> <p>29 PCS</p>	<p>B Ø15x12</p> <p>29 PCS</p>	<p>C Ø8x40</p> <p>2 PCS</p>						
<p>D M7x50</p> <p>18 PCS</p>	<p>E M6x35</p> <p>2 PCS</p>	<p>F M6x50</p> <p>2 PCS</p>	<p>G</p> <p>1 PCS</p>	<p>H</p> <p>2 PCS</p>	<p>J Ø3.5x14</p> <p>2 PCS</p>	<p>K</p> <p>2 PCS</p>	<p>L Ø3.5x30</p> <p>2 PCS</p>	<p>4#</p>

1



A M5x42



4 PCS

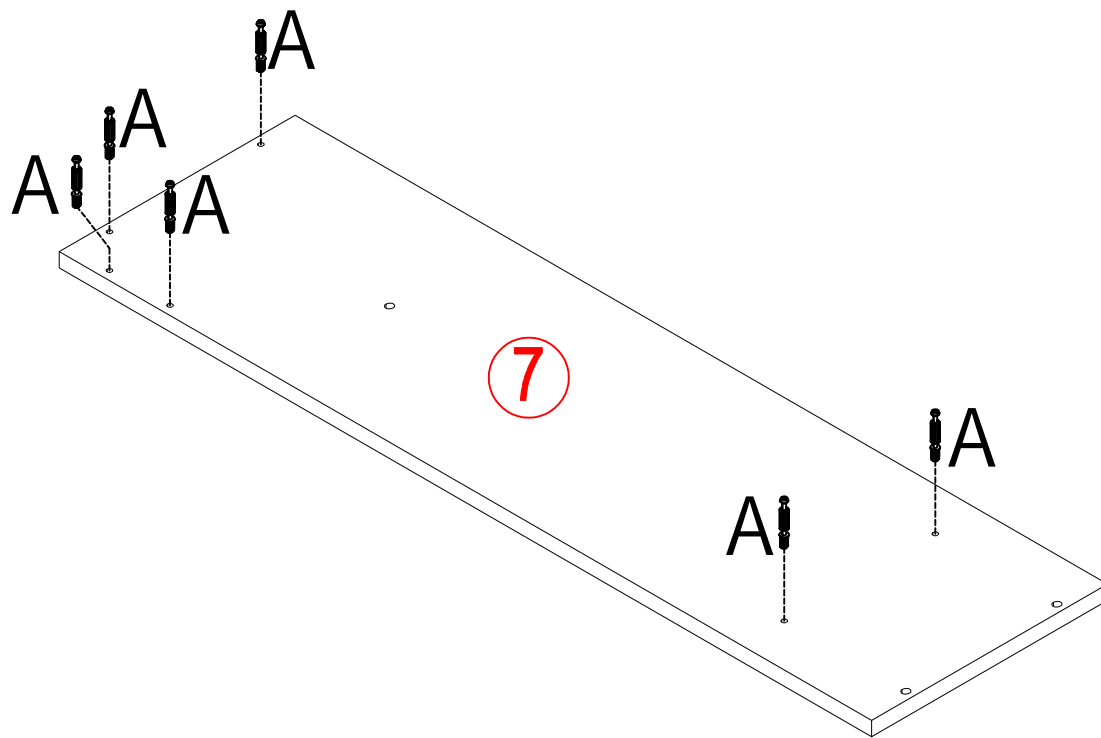
B Ø15x12



4 PCS

X2

2



A M5x42



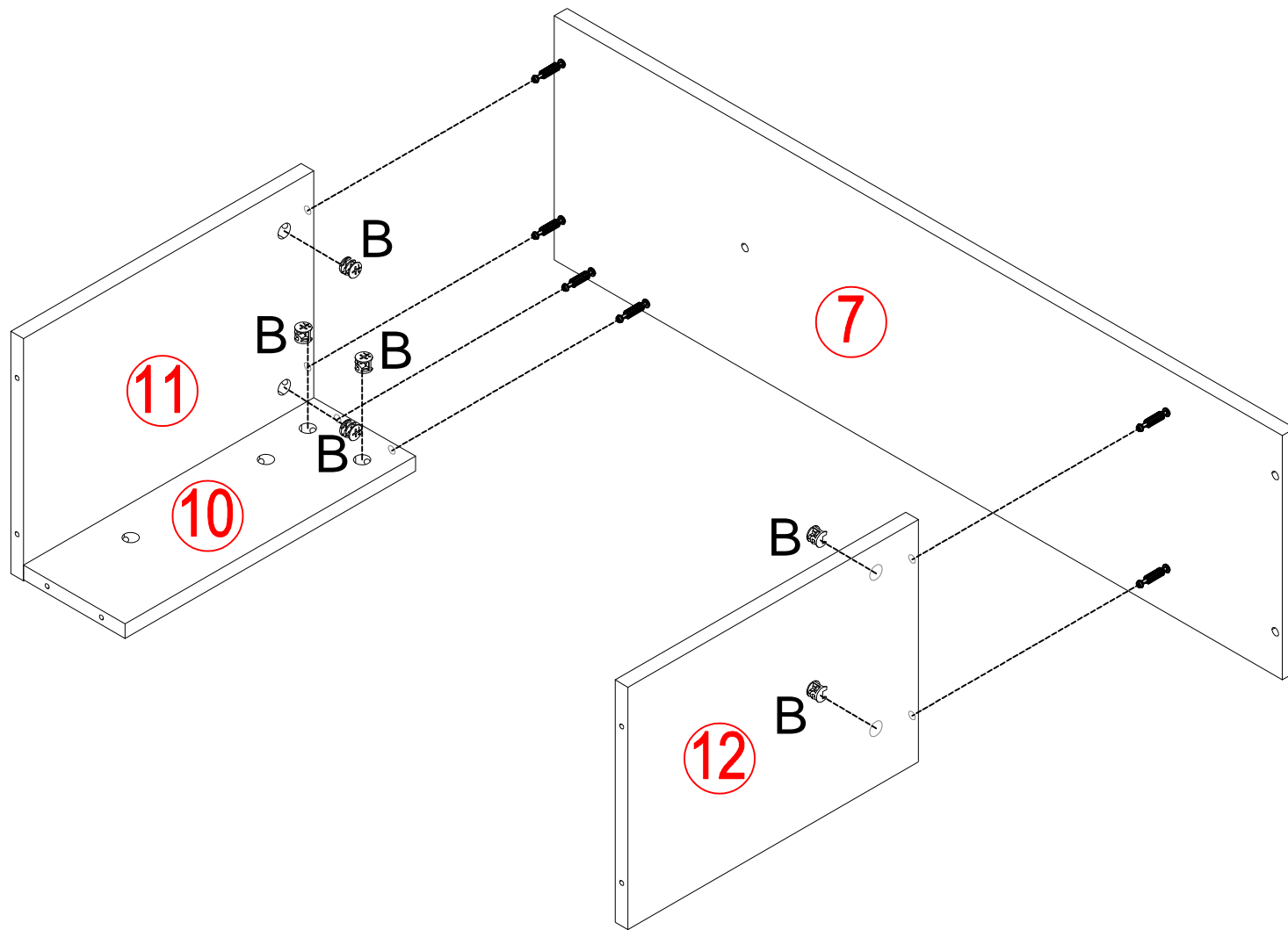
6 PCS

3

B Ø15x12



6 PCS

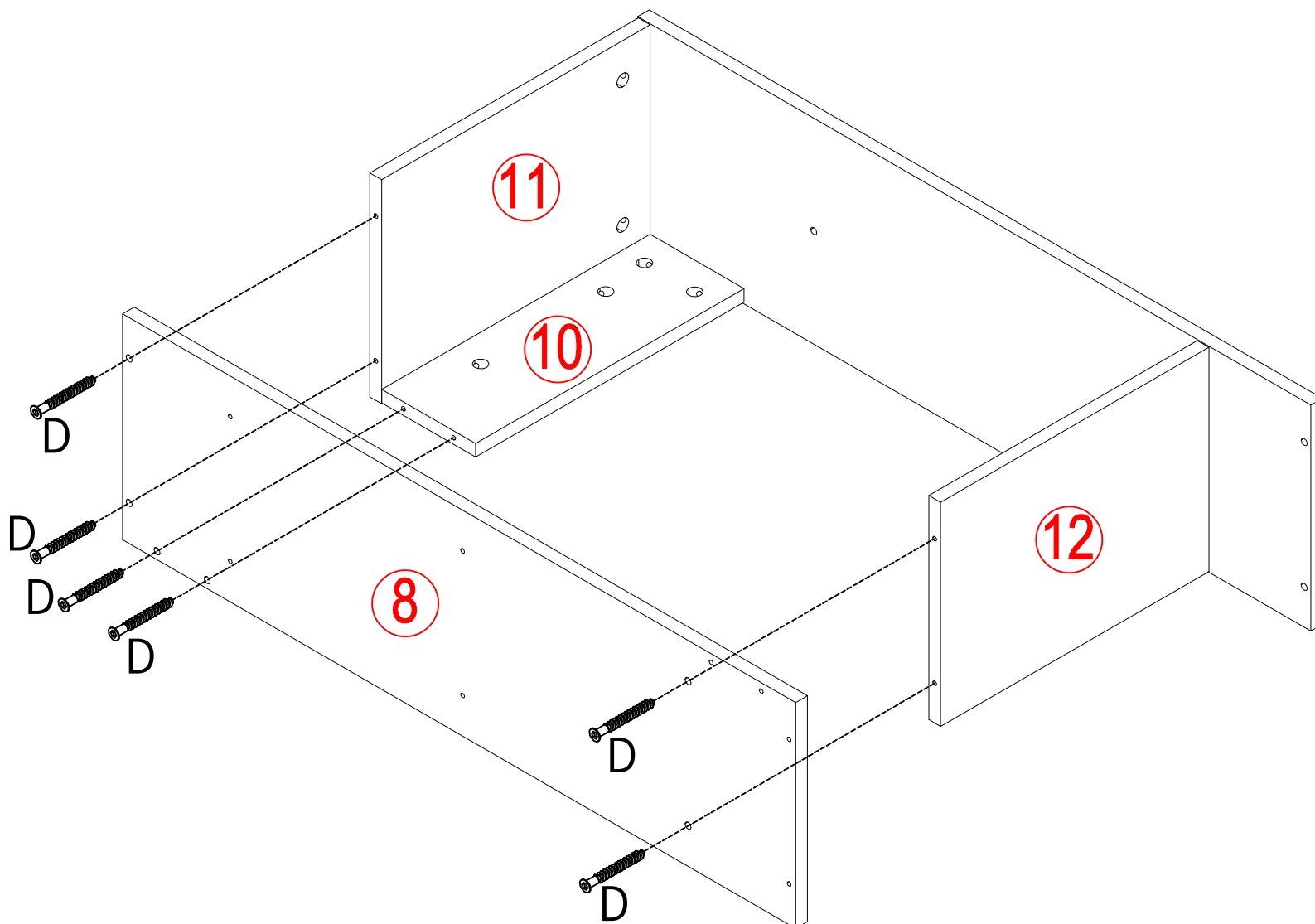


4

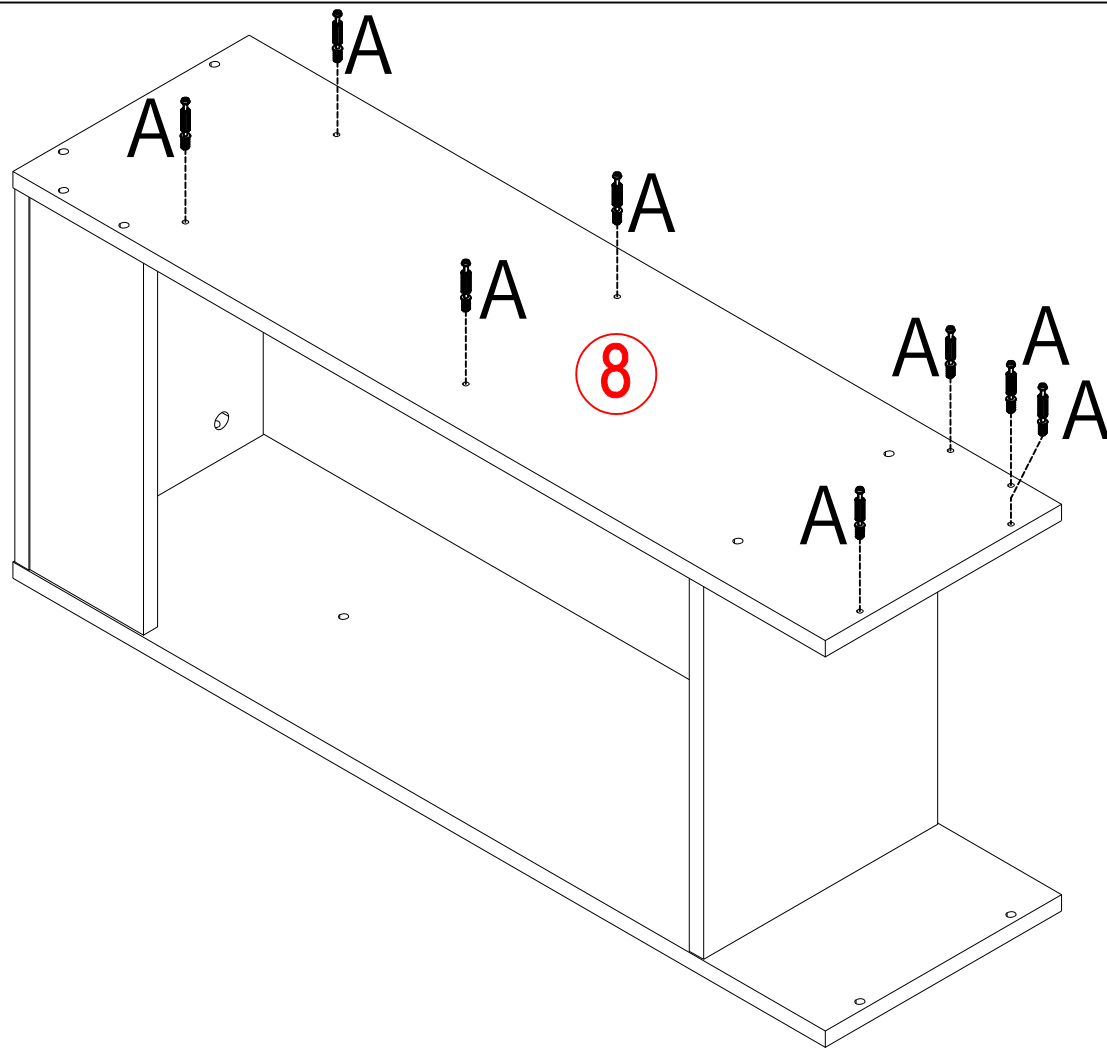
D M7x50



6 PCS



5

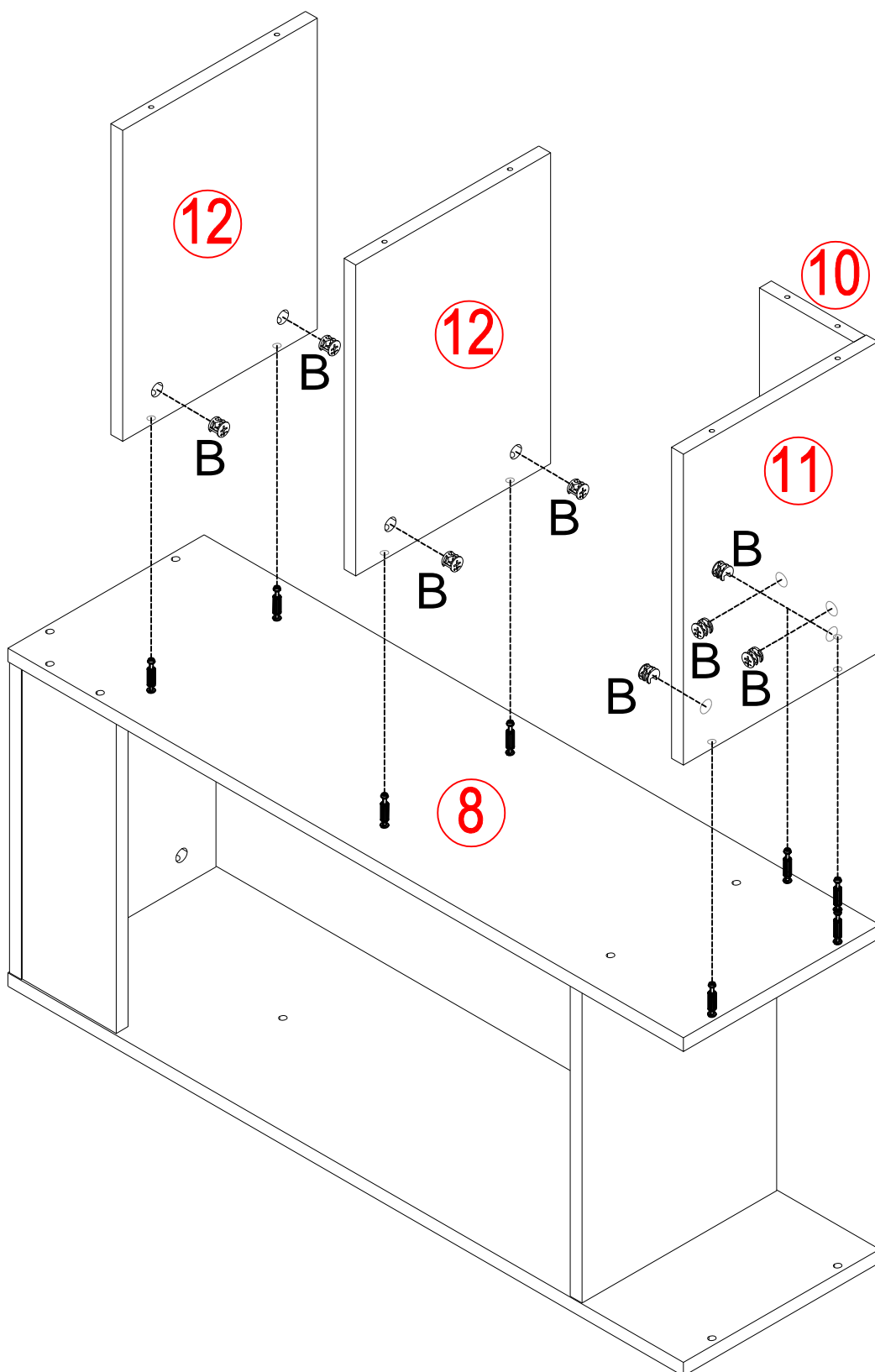


A M5x42



8 PCS

6



B Ø15x12



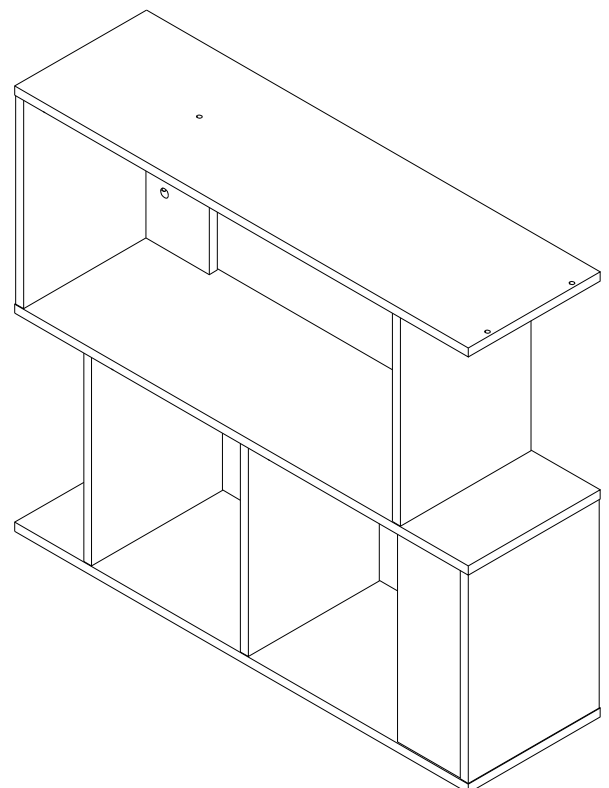
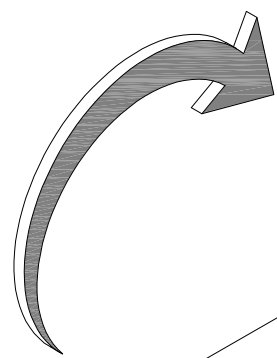
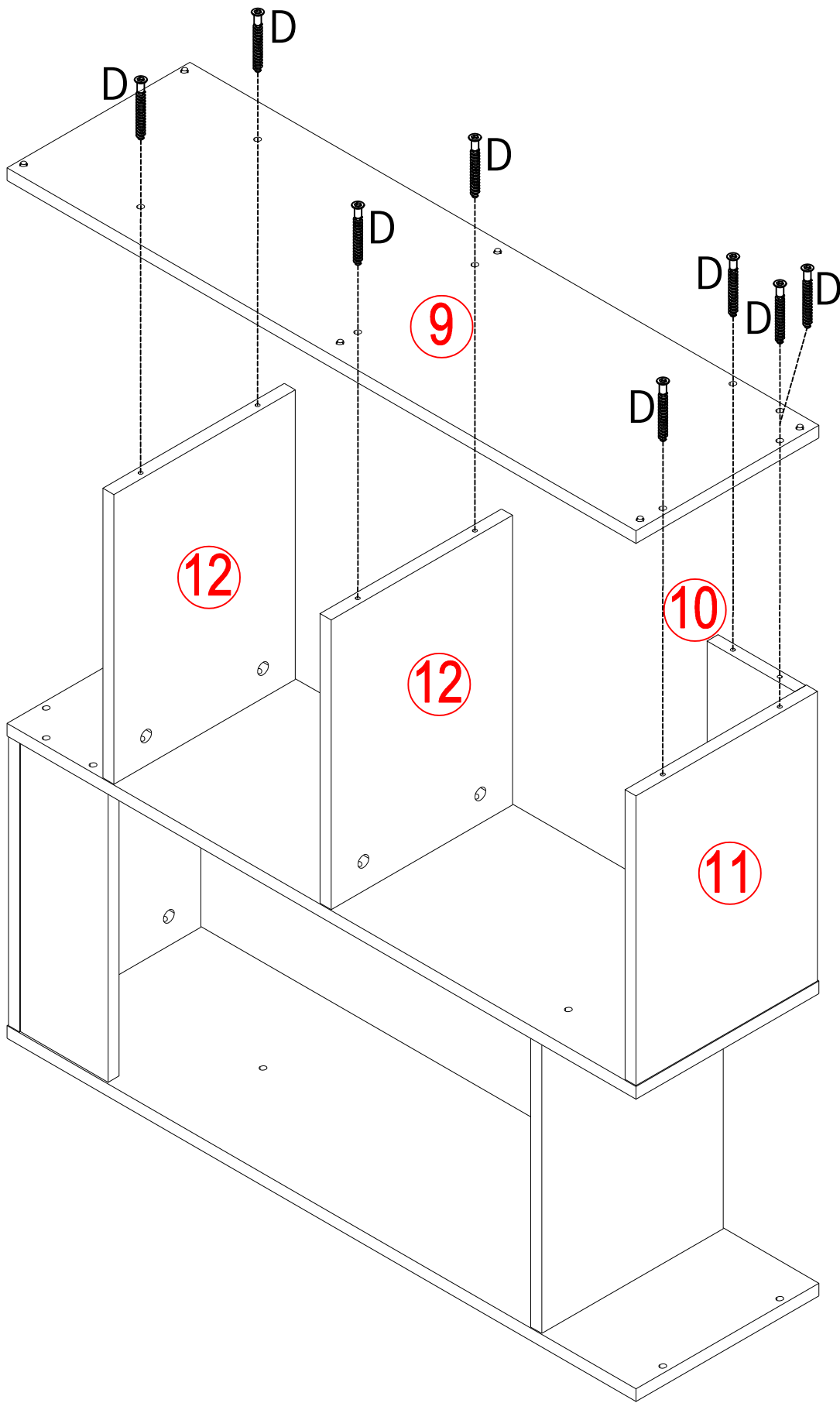
8 PCS

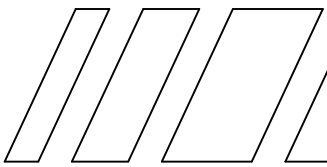
7

D M7x50



8 PCS



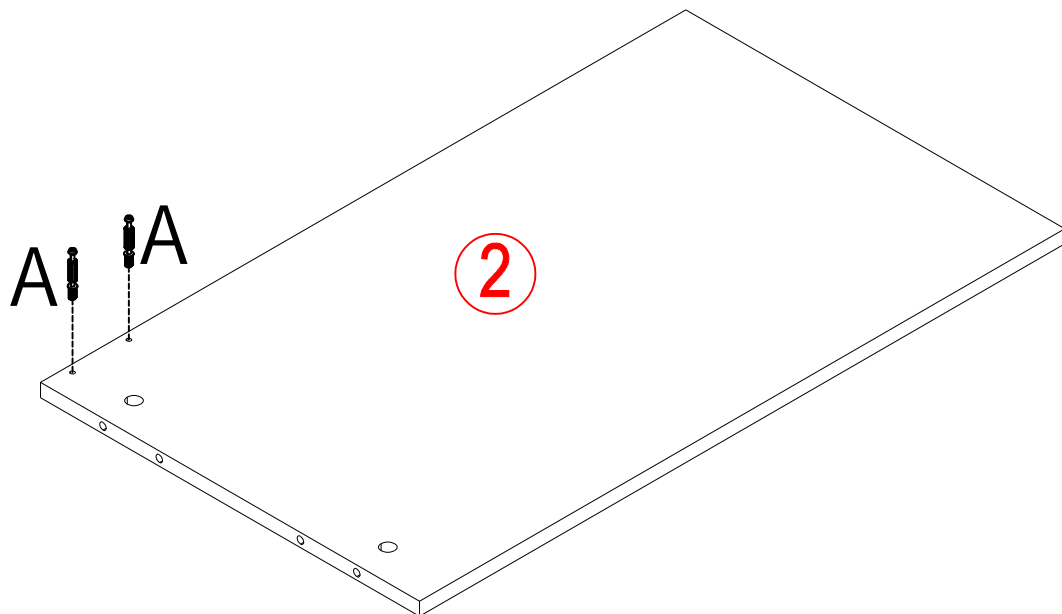


8

A M5x42



2 PCS

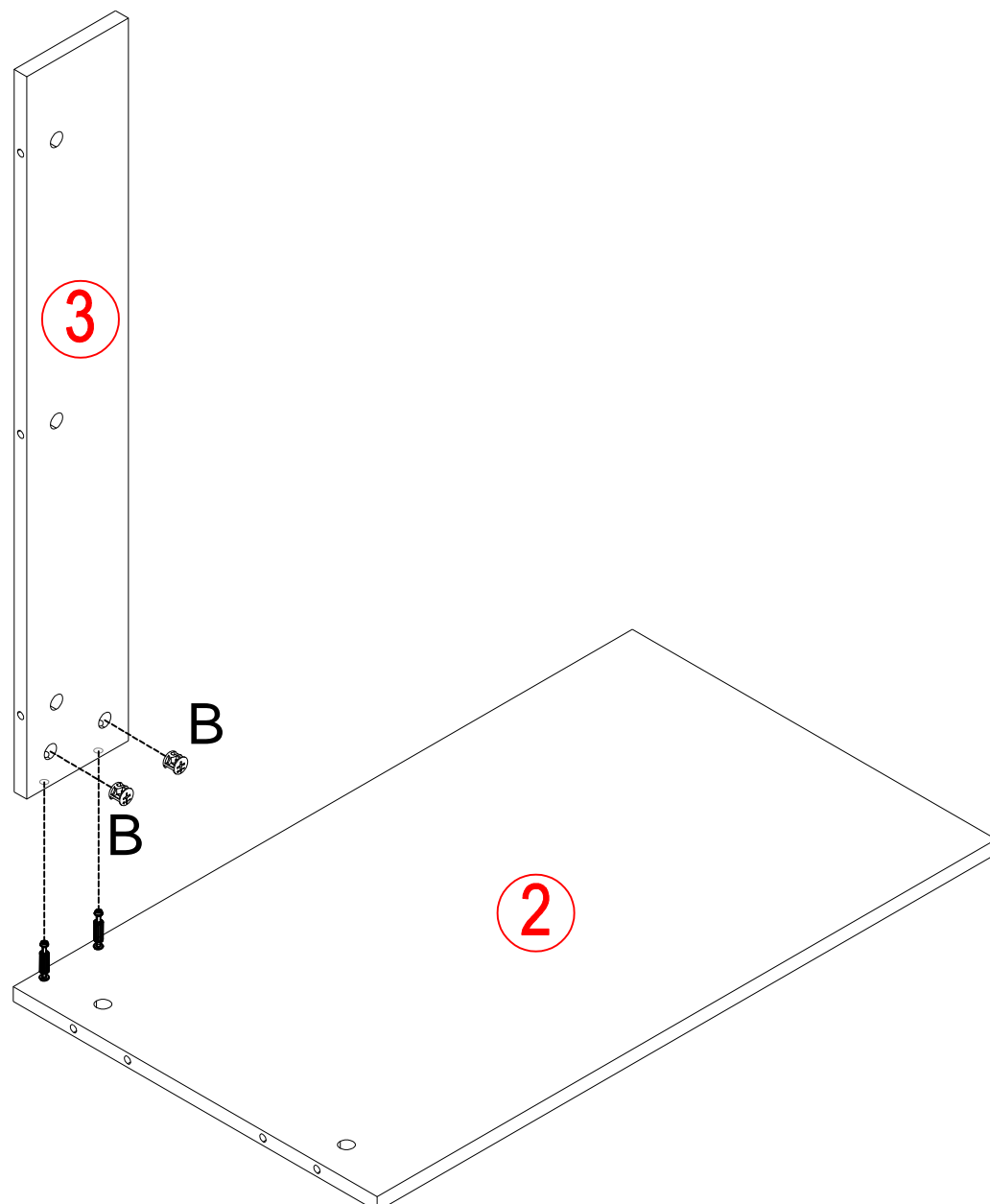


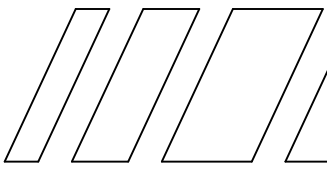
9

B Ø15x12

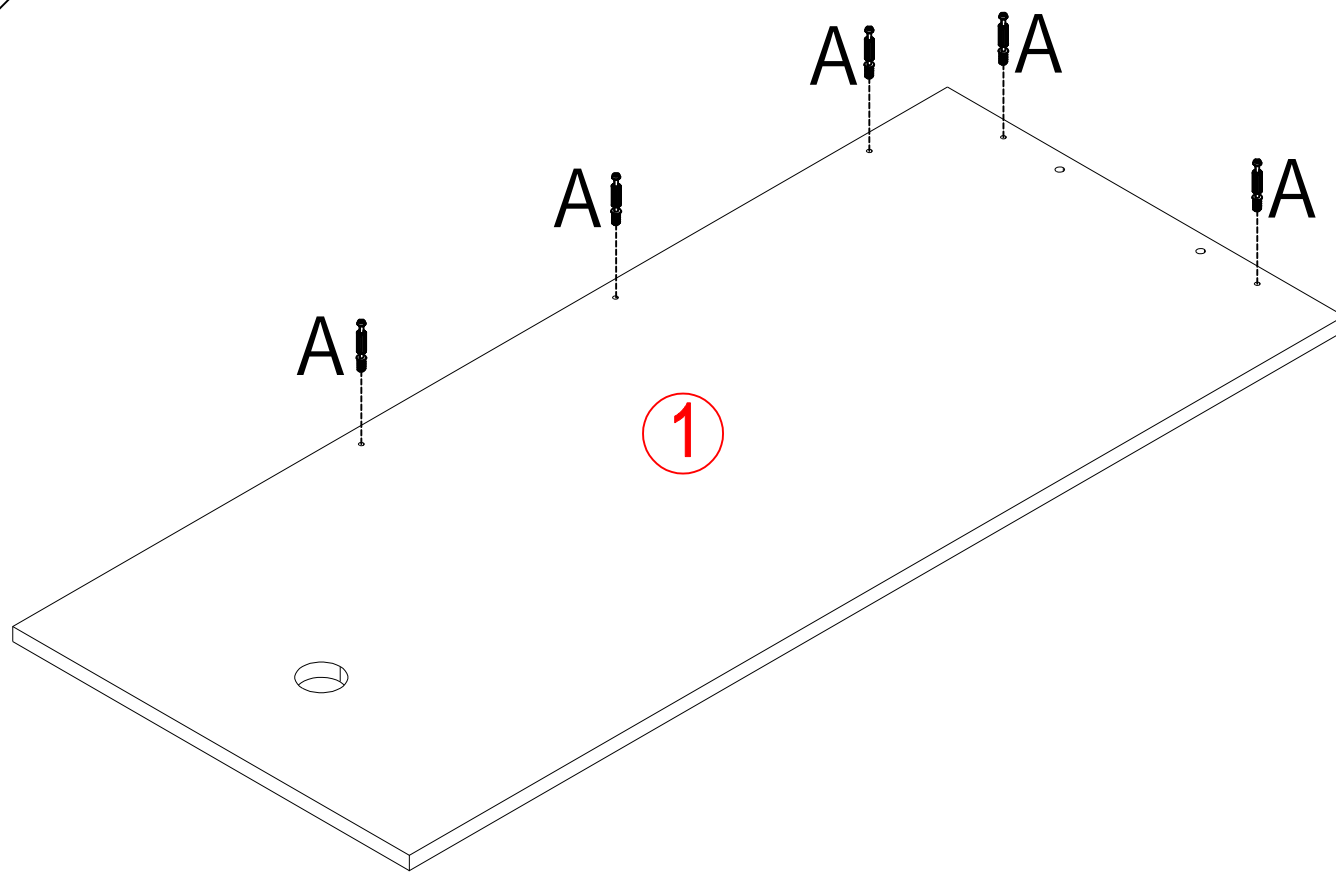


2 PCS

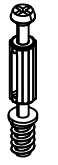




10

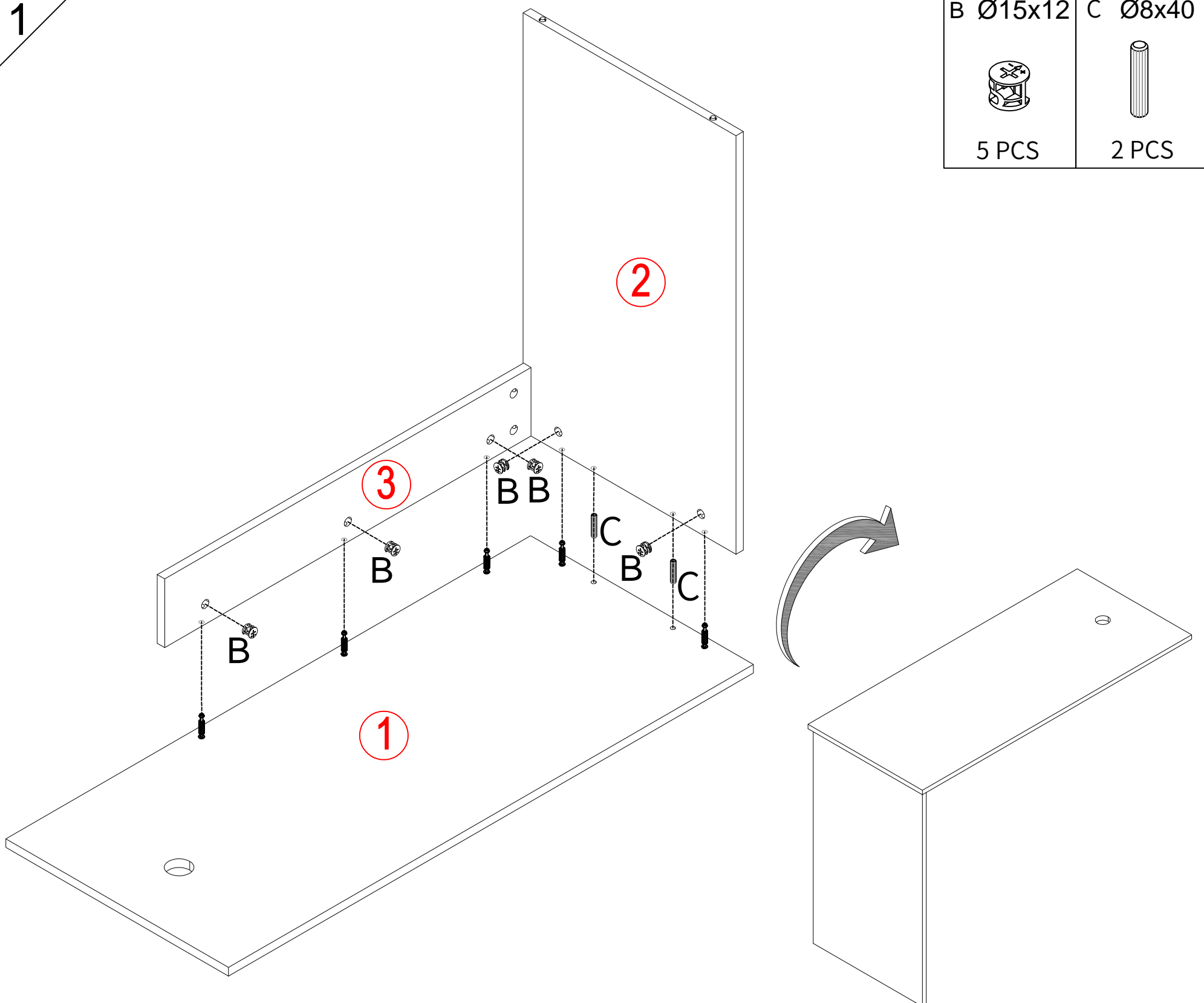


A M5x42



5 PCS

11



B Ø15x12

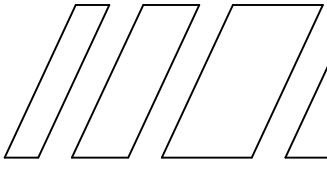


5 PCS

C Ø8x40



2 PCS

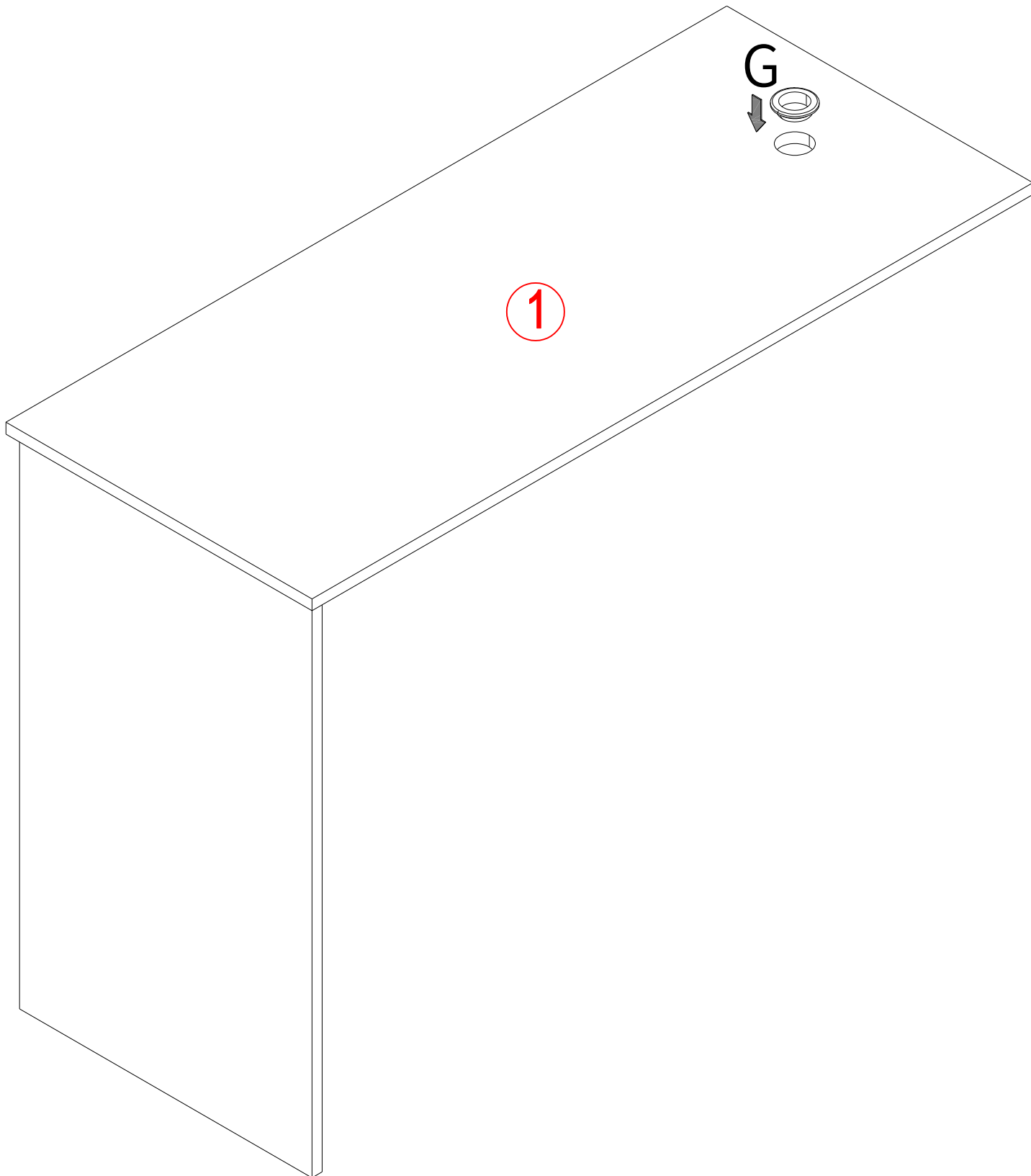


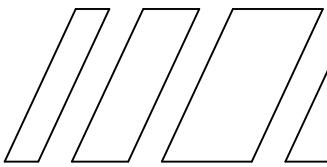
12

G



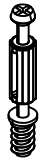
1 PCS



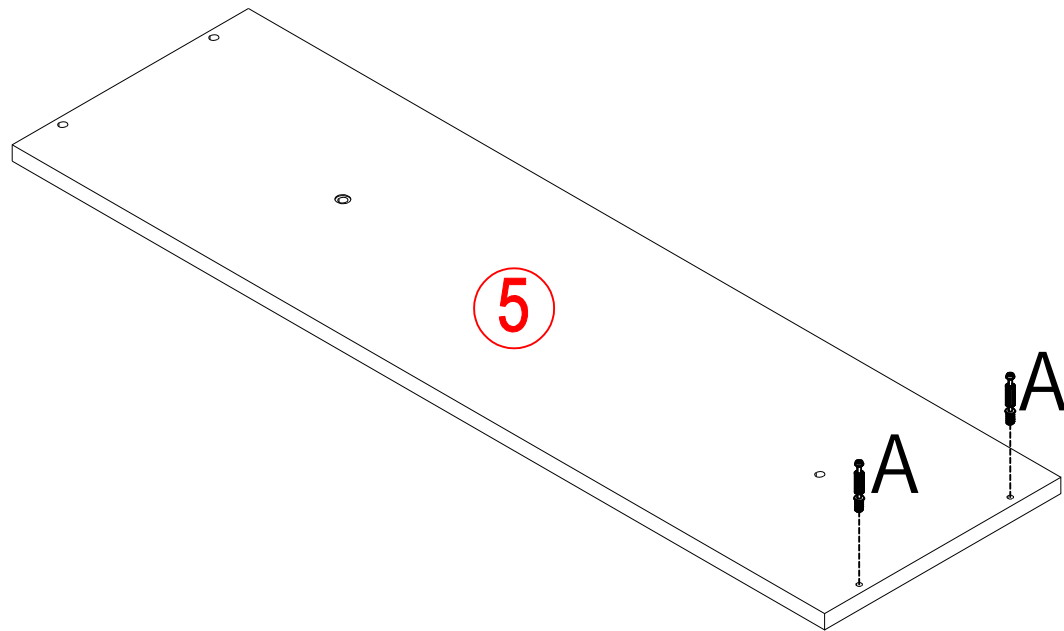


13

A M5x42



2 PCS



14

B Ø15x12

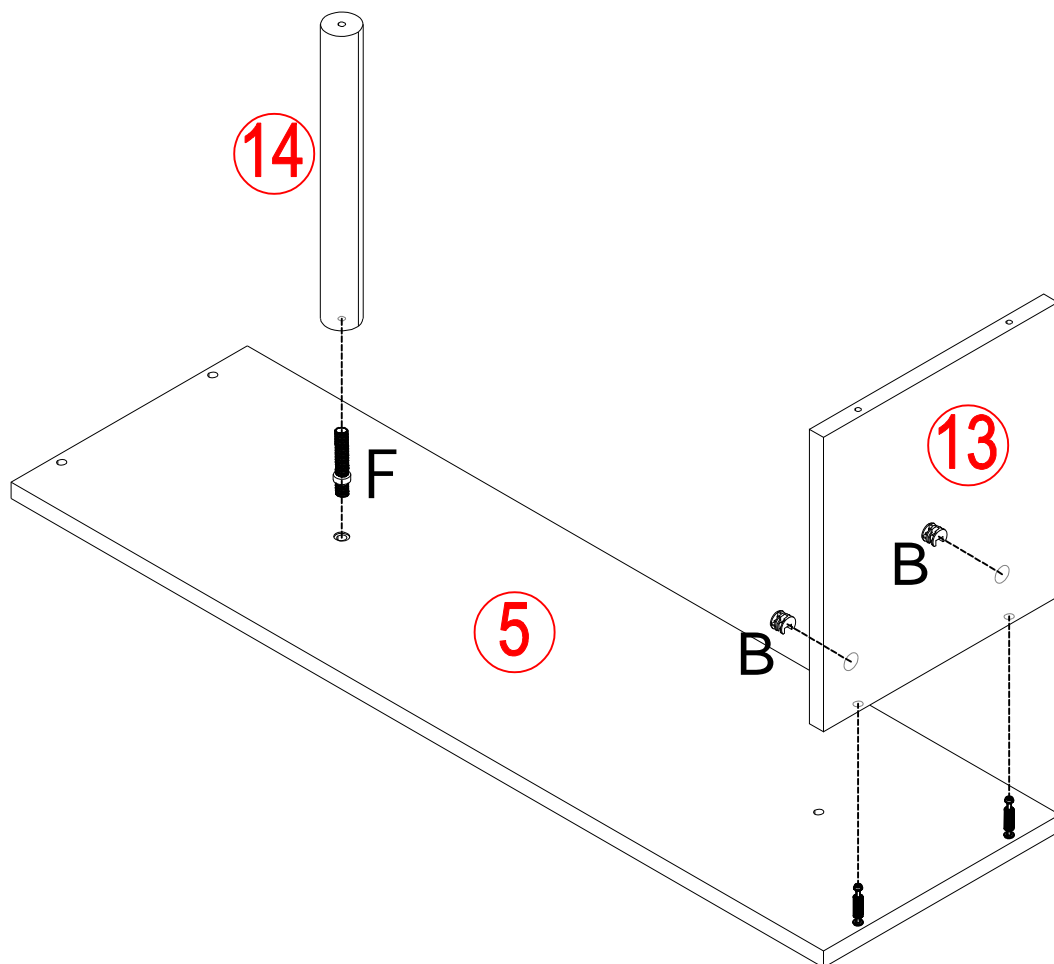


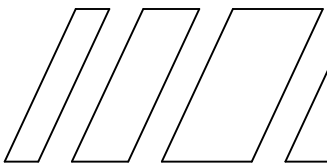
2 PCS

F M6x50


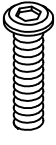


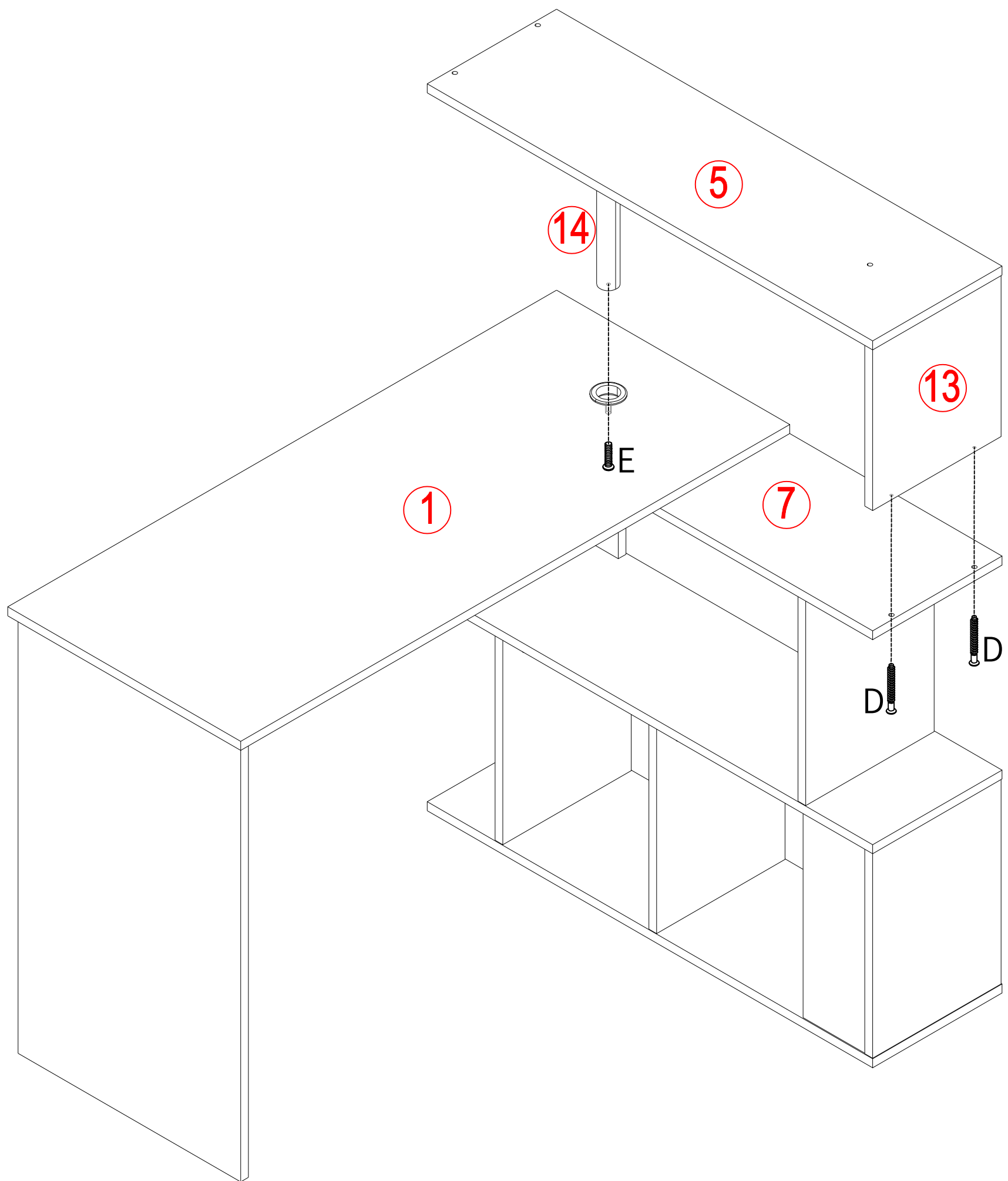
1 PCS





15

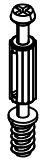
D M7x50	E M6x35
	
2 PCS	1 PCS



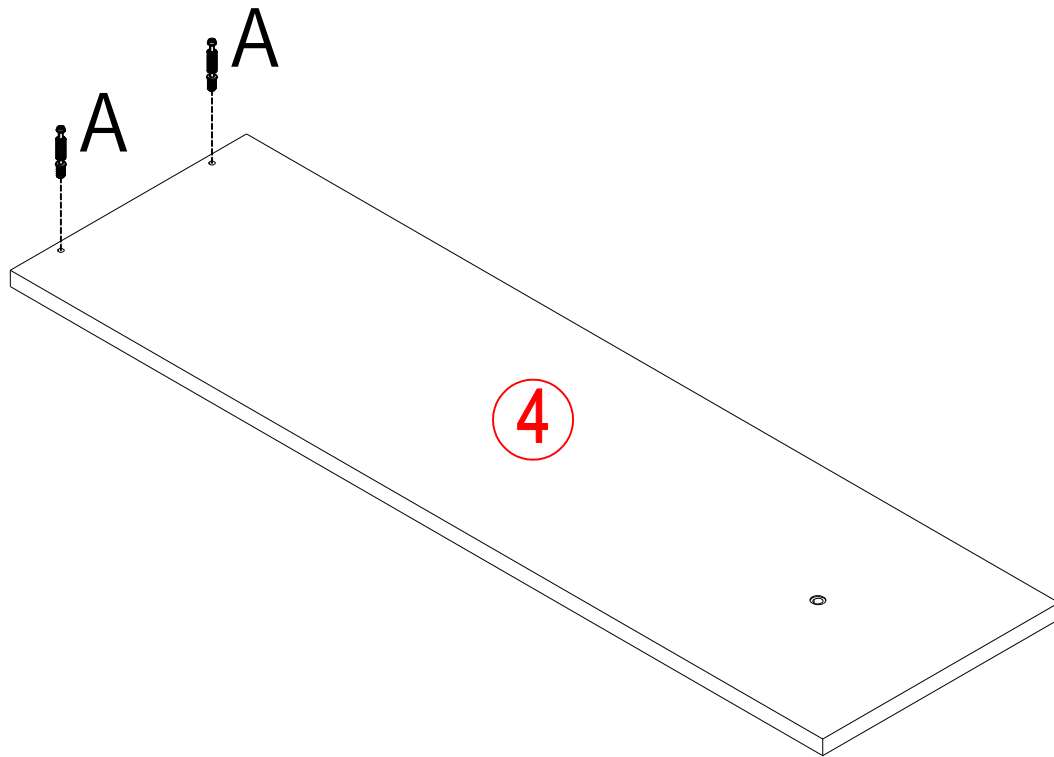


16

A M5x42



2 PCS



17

B Ø15x12

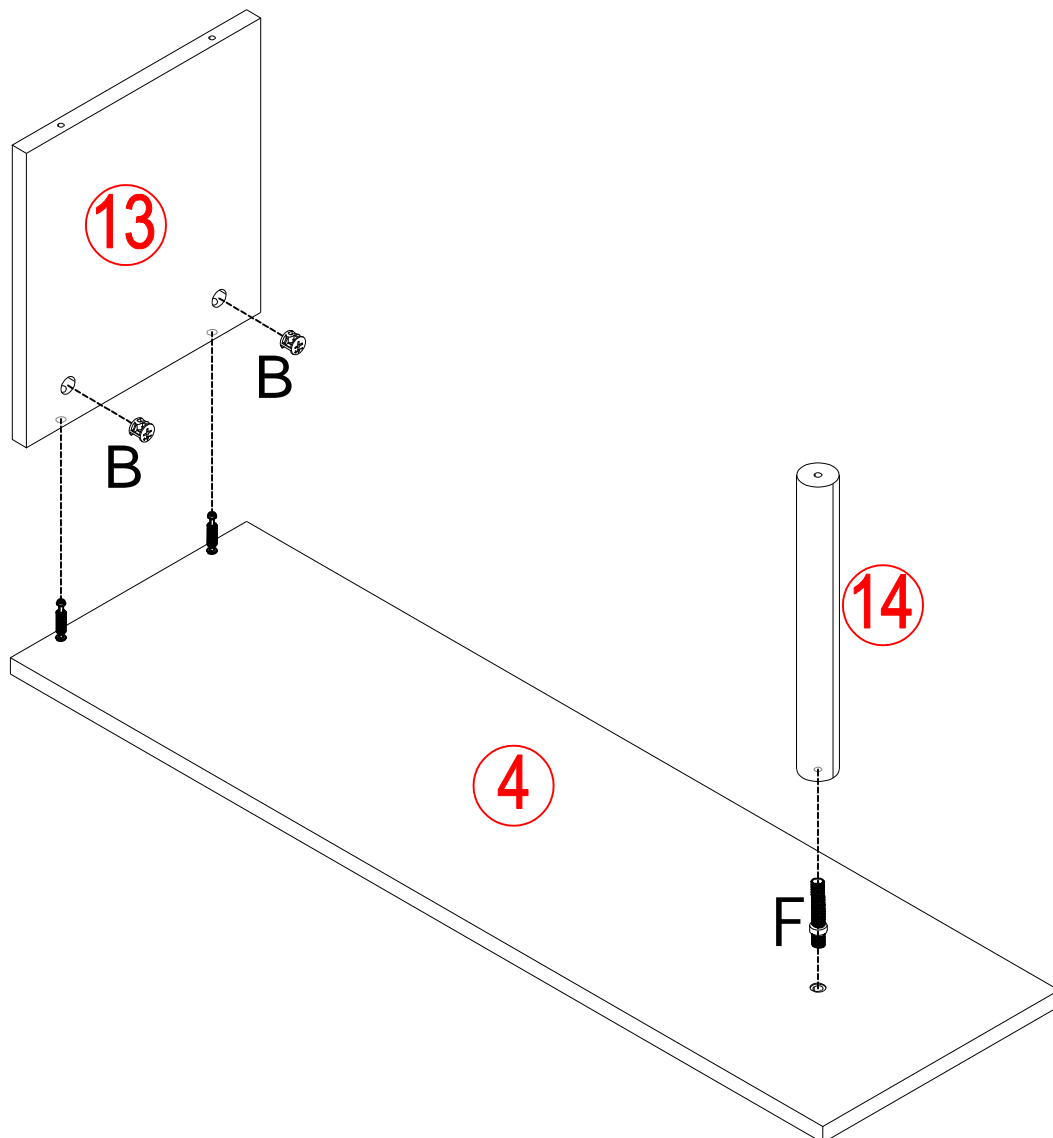


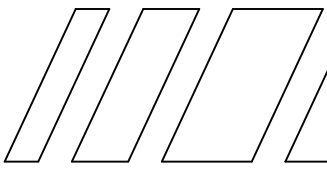
2 PCS

F M6x50


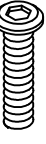


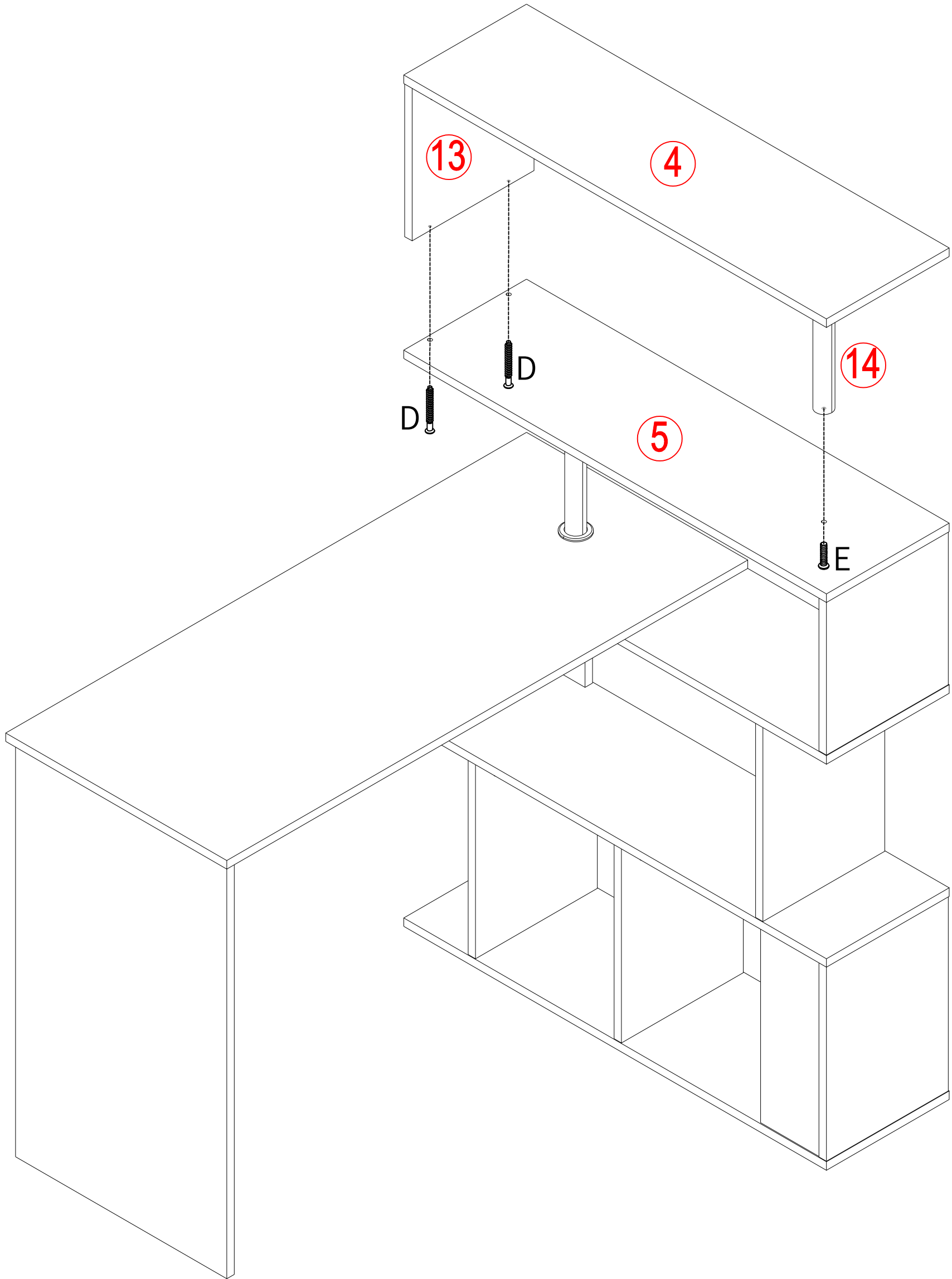
1 PCS



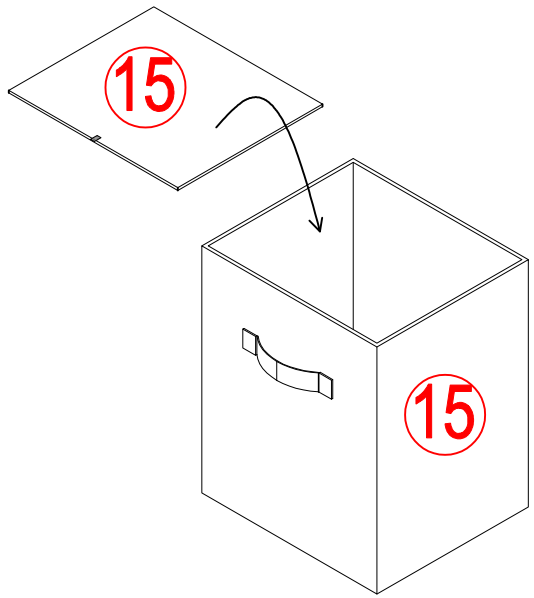


18

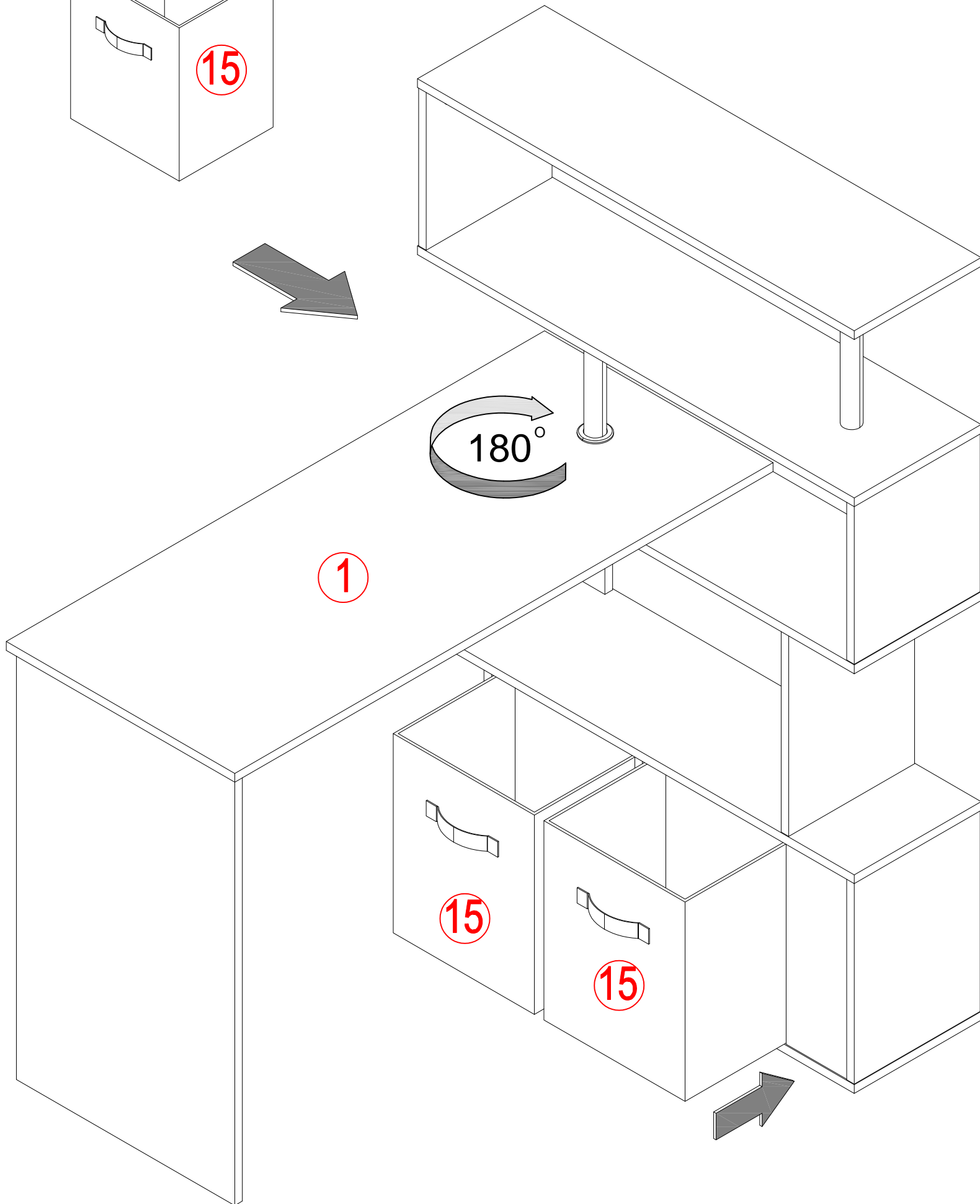
D M7x50	E M6x35
	
2 PCS	1 PCS



19

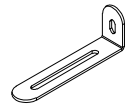


X2



20

H



2 PCS

J Ø3.5x14



2 PCS

K



2 PCS

L Ø3.5x30



2 PCS

