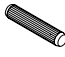
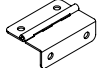
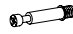









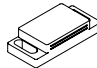
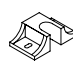
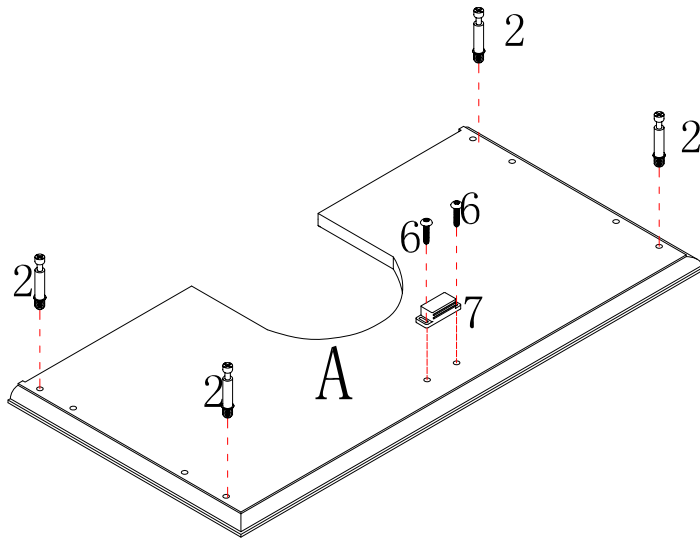





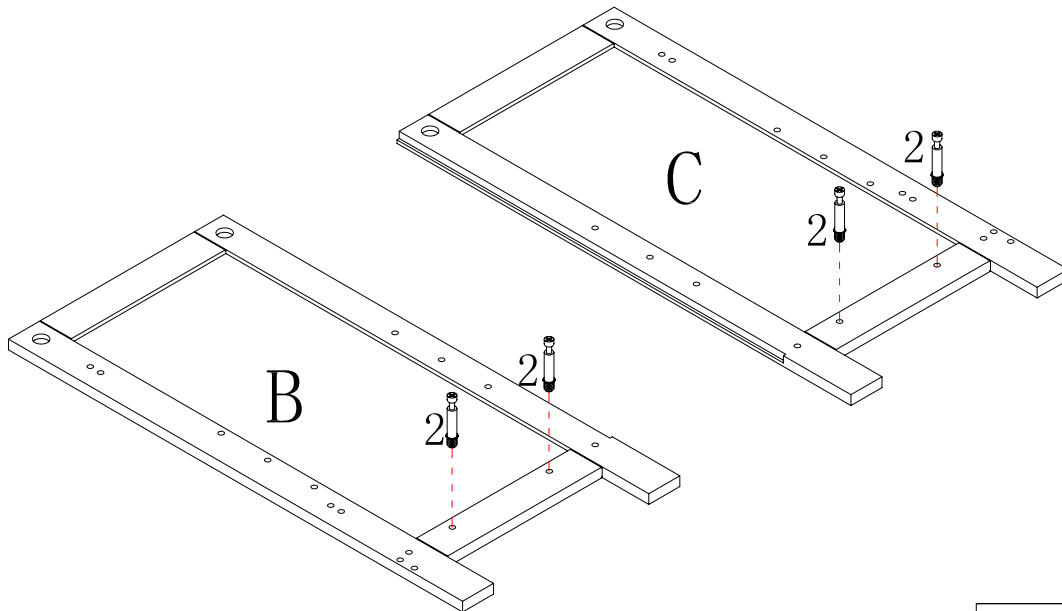
1	 6x30mm	12pcs	8		4pcs
2		9pcs	9	 15x9.5mm	5pcs
3	 15x12mm	4pcs	10	 4x18mm	2pcs
4		2pcs	11		2pcs
5	 3x10mm	20pcs	12		4pcs
6	 2.5x12mm	2pcs	13	 2.2x10mm	10pcs
7		1pc	14		1pc


1



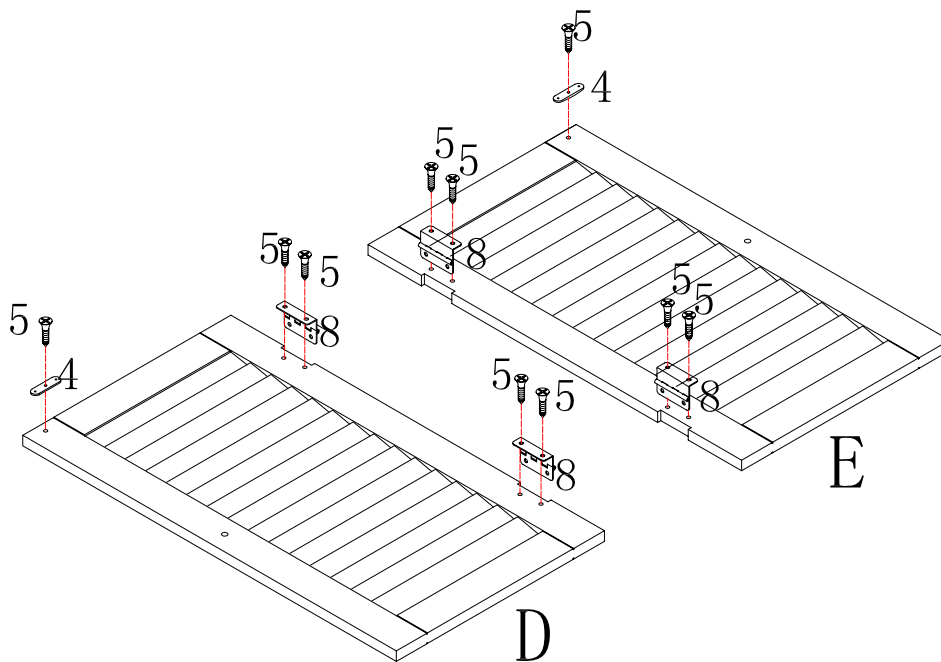
	(2)x4pcs
	(6)x2pcs
	(7)x1pc




2



	(2)x4pcs
---------------------------------------------------------------------------------------	----------

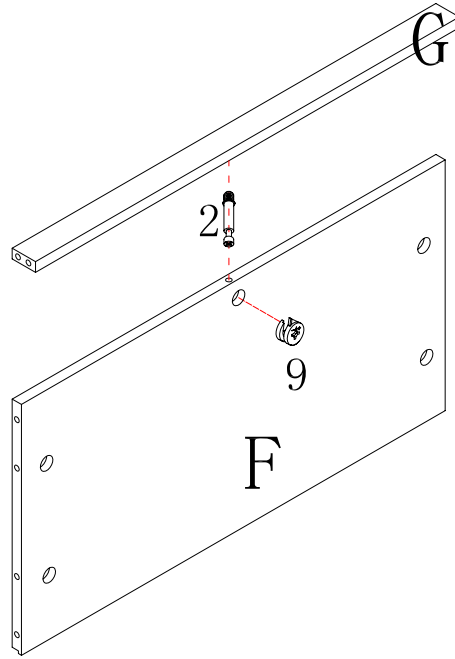
3



	(4)x2pcs
	(5)x10pcs
	(8)x4pcs

3 - 7

4

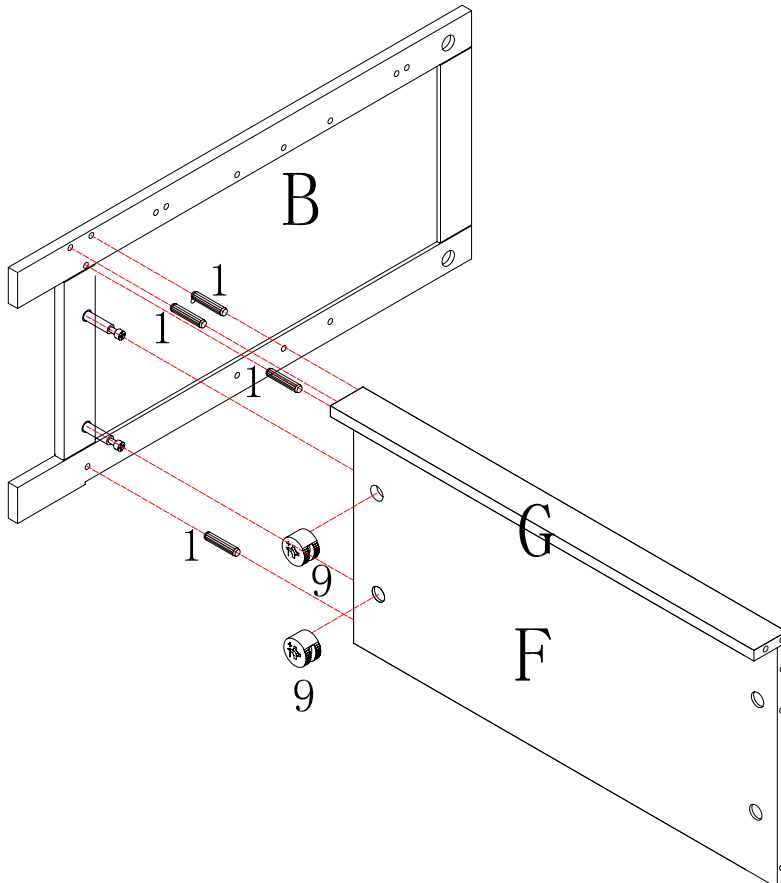


(2)x1pc



(9)x1pc

5



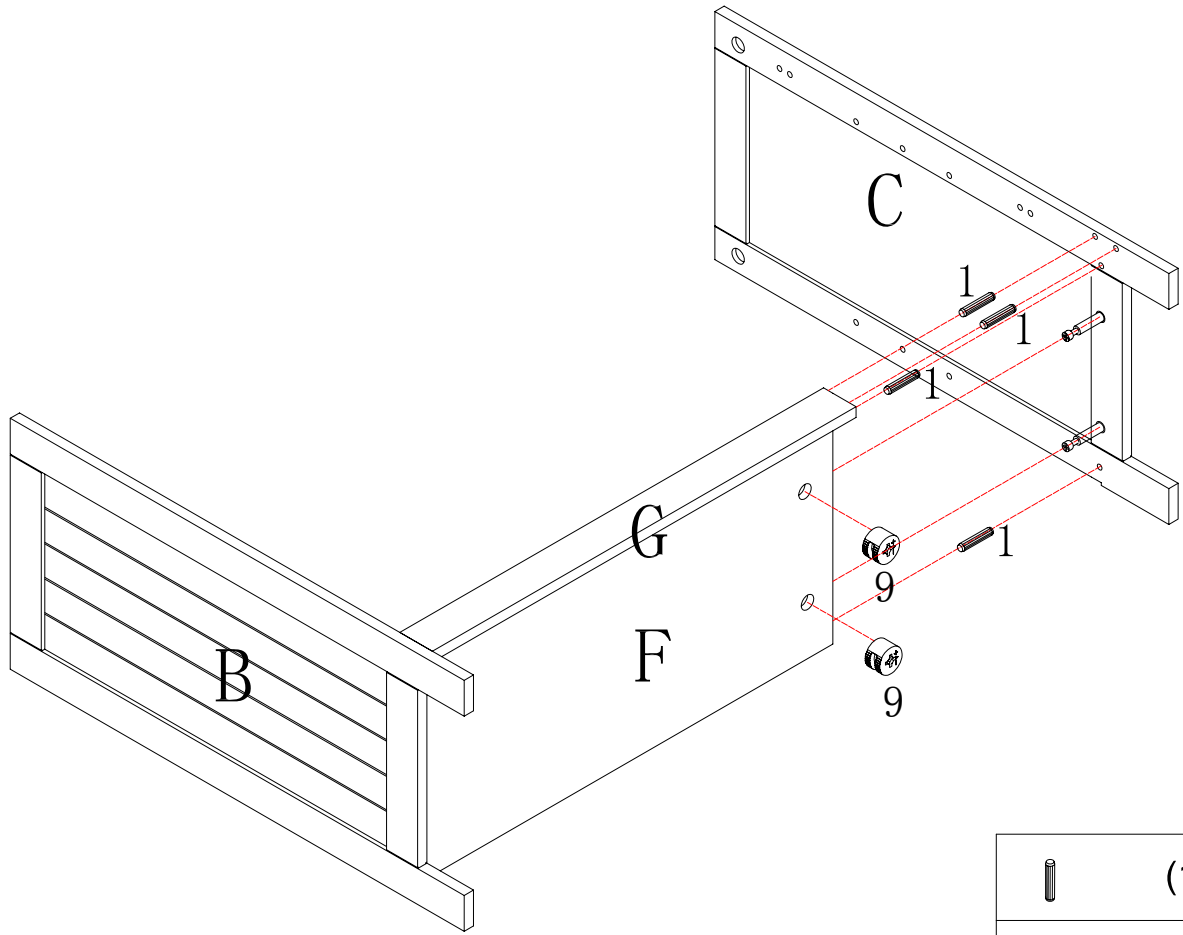
(1)x4pcs





(9)x2pcs

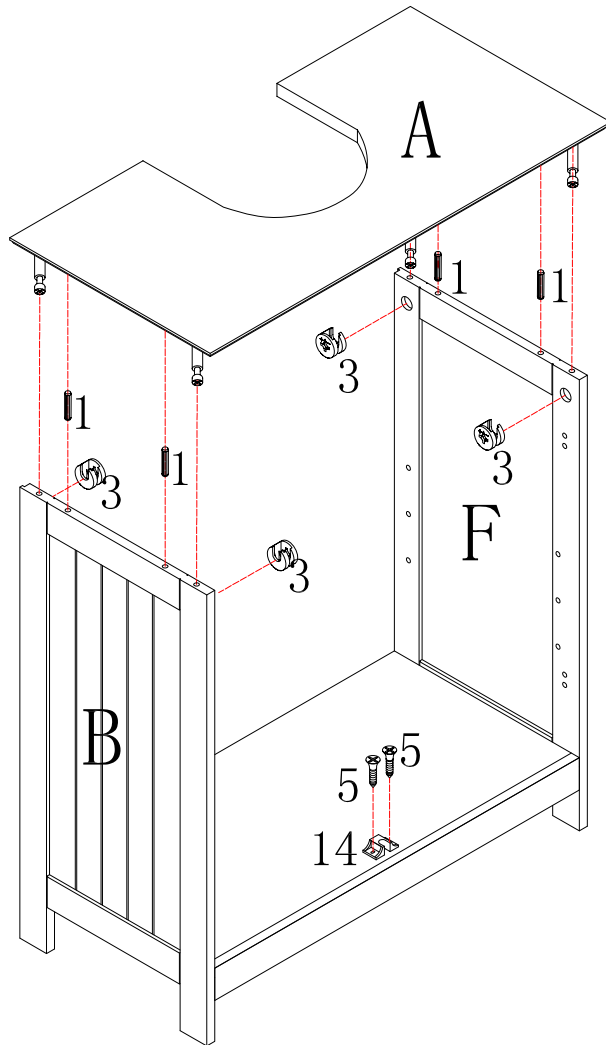
4 - 7





6



	(1)x4pcs
	(9)x2pcs

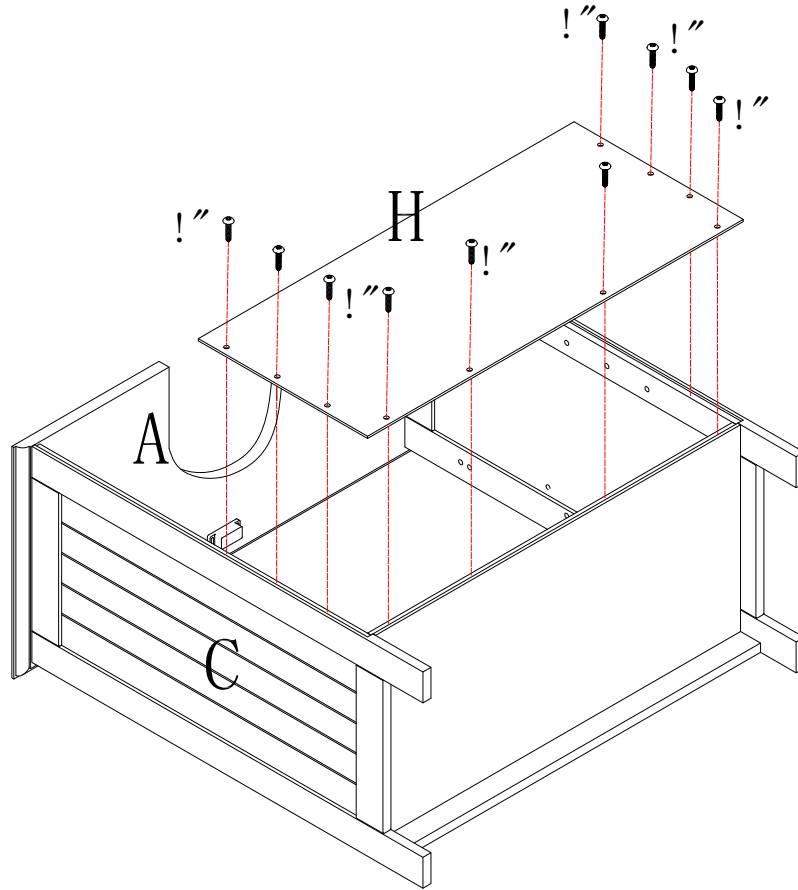
7



	(1)x4pcs
	(3)x4pcs
	(5)x2pcs
	(14)x1pc

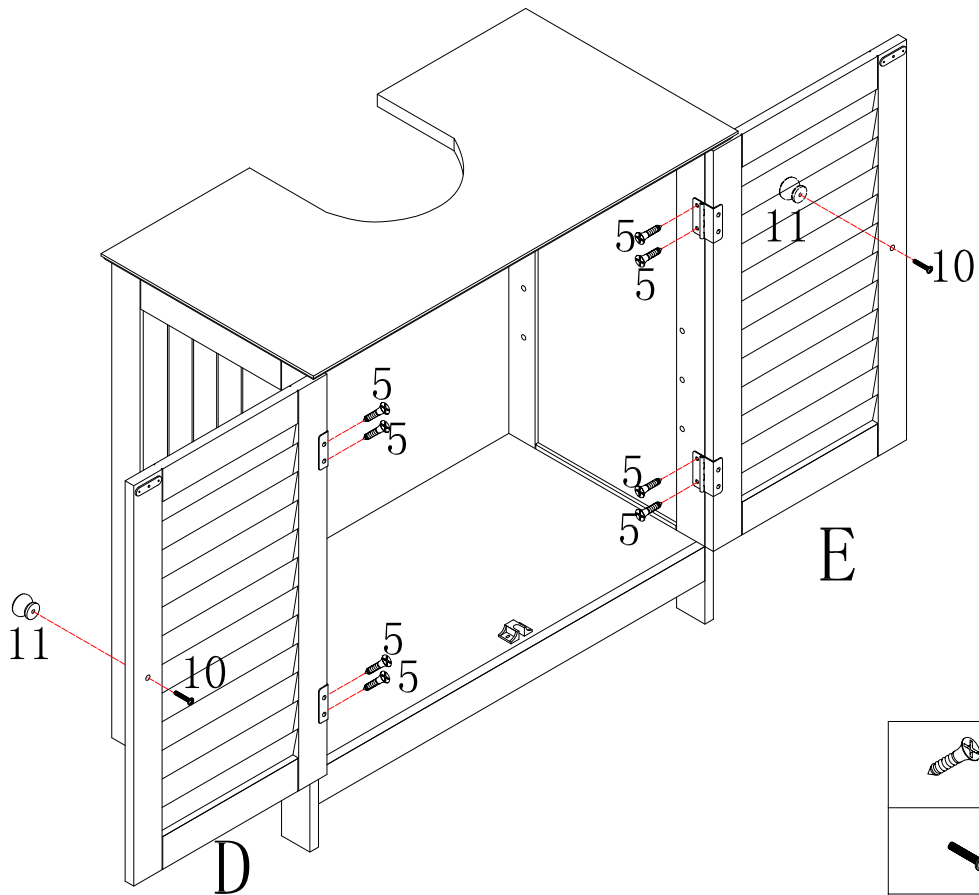
5 - 7

8



(13)x10pcs

9



(5)x8pcs



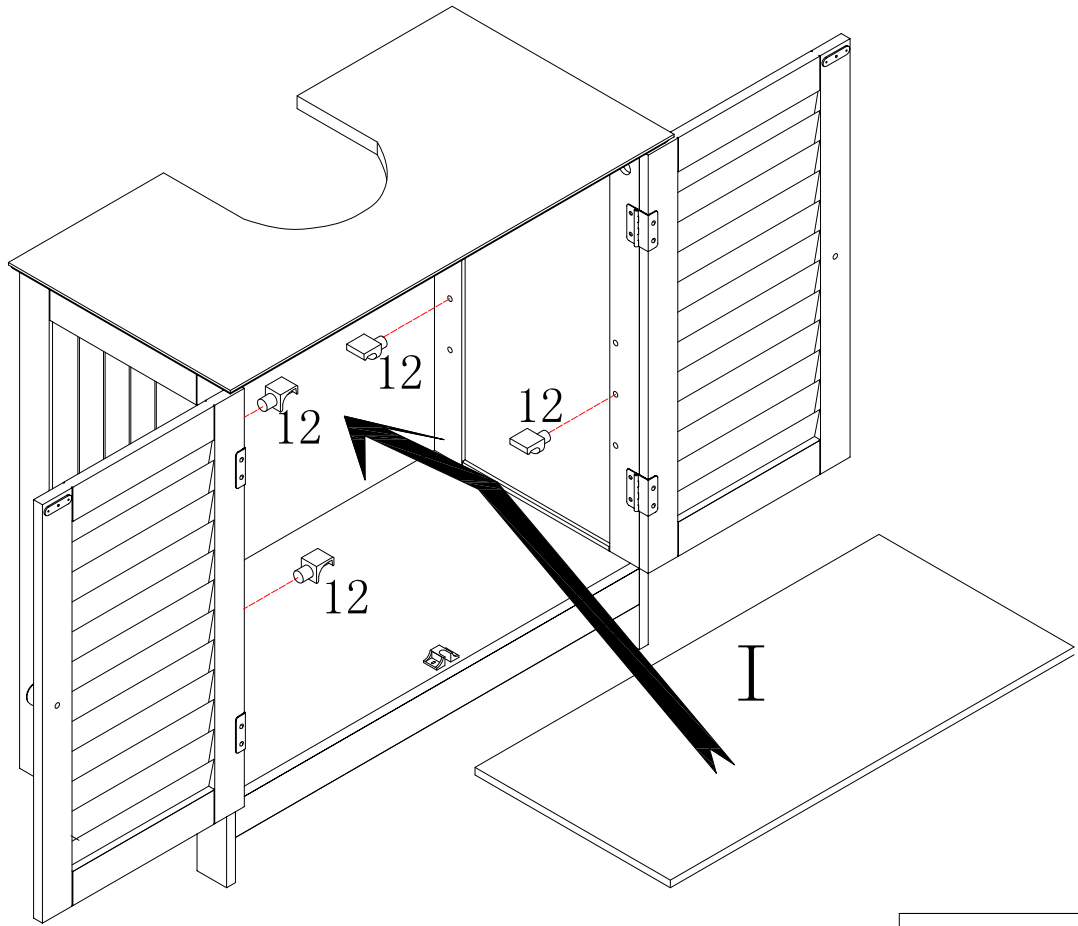
(10)x2pcs



(11)x2pcs

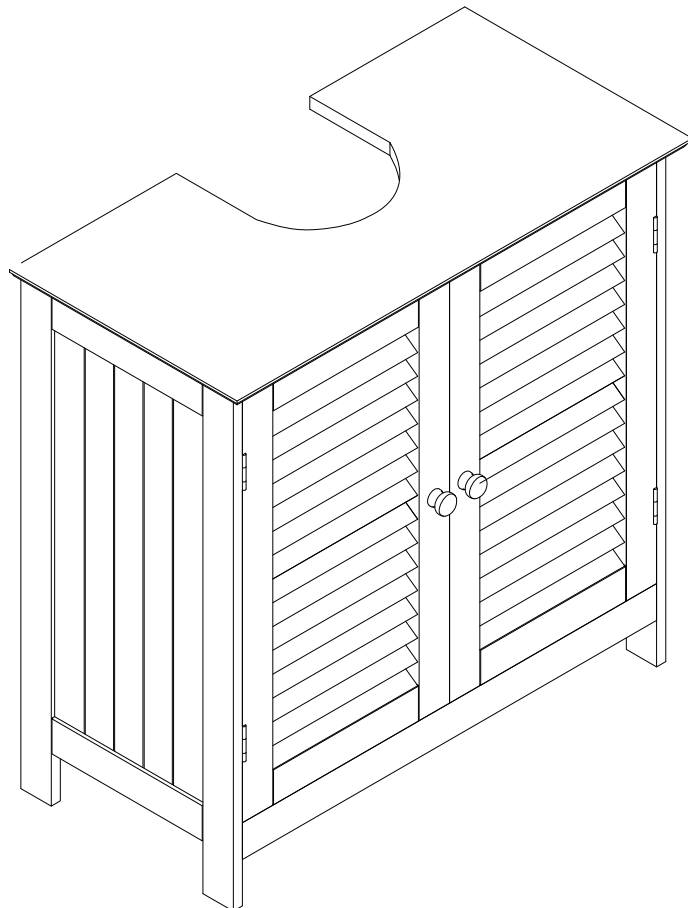
6 - 7

10

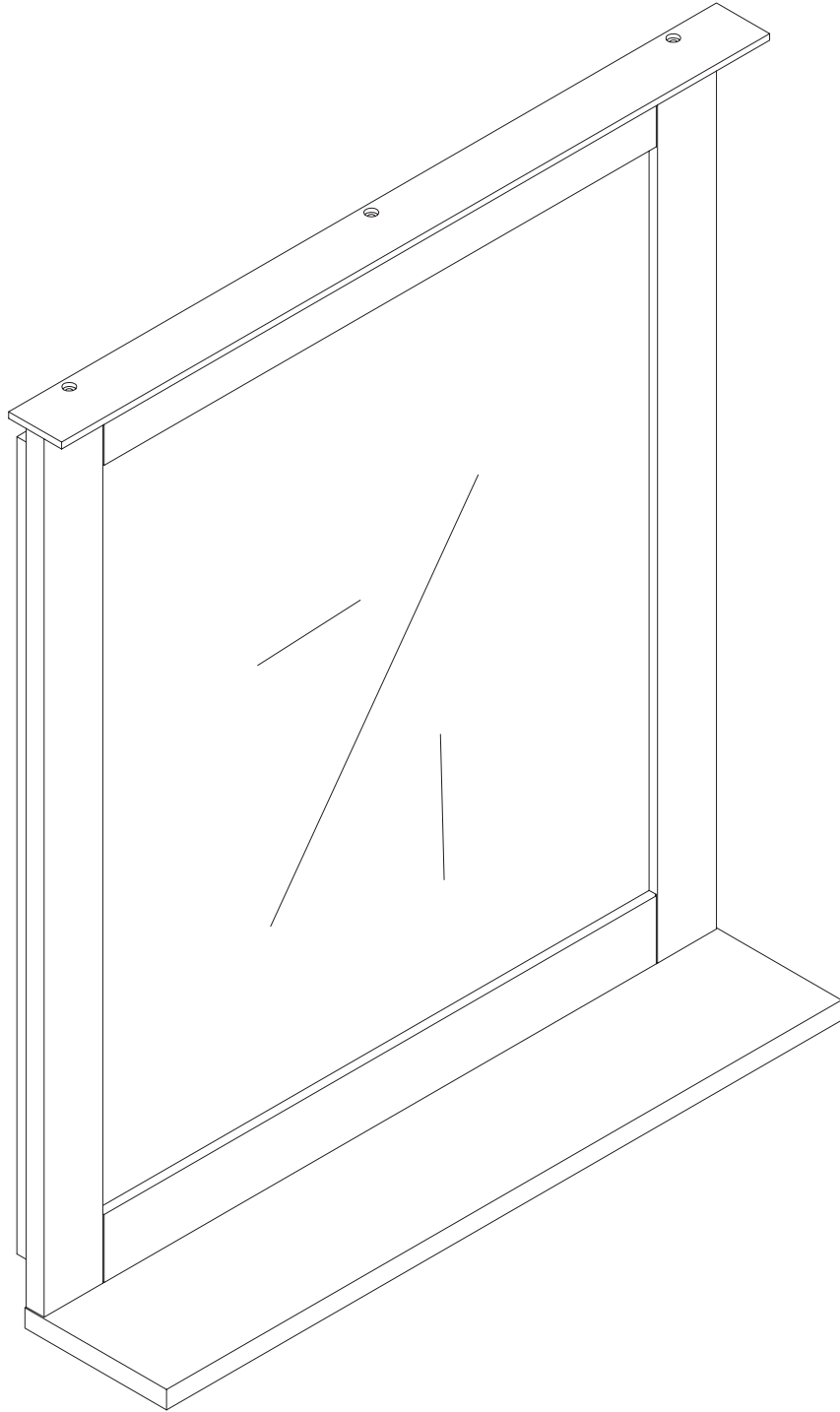


(12)x4pcs

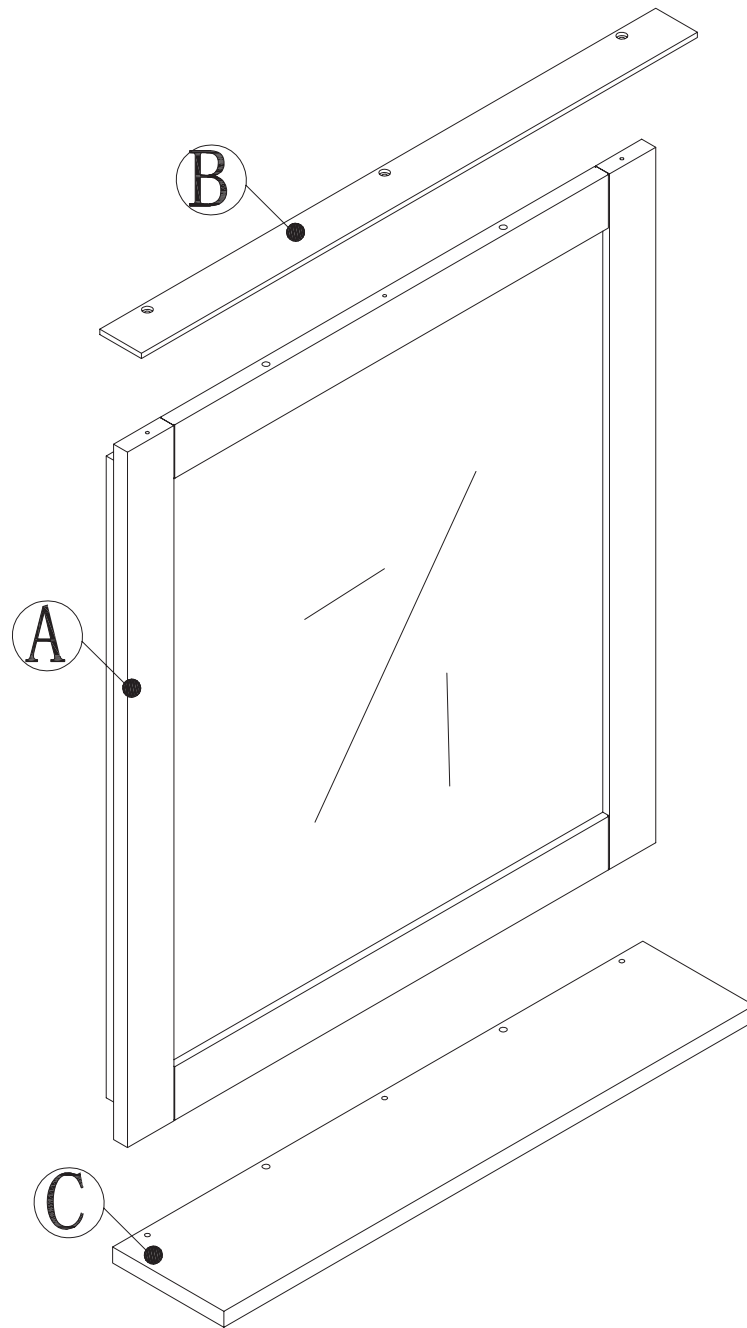
11







7 - 7

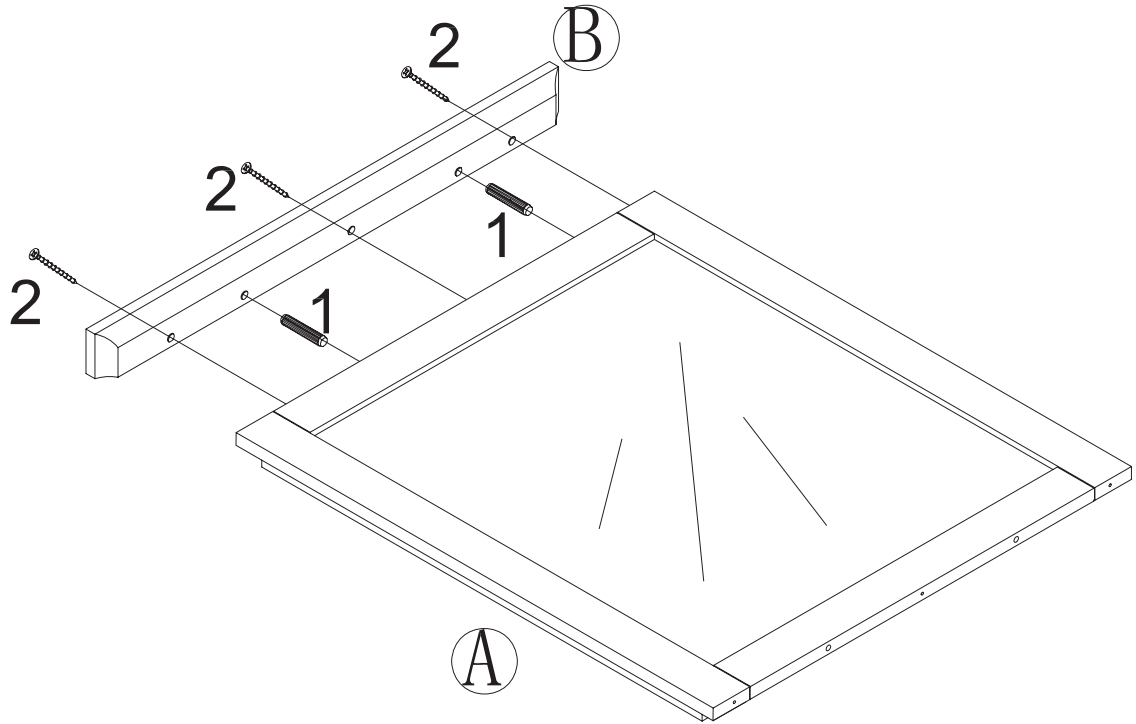








1		4pcs
2	 Φ4x30mm	6pcs
3	 Φ6x35mm	2pcs
4	 Φ3.5x35mm	2pcs

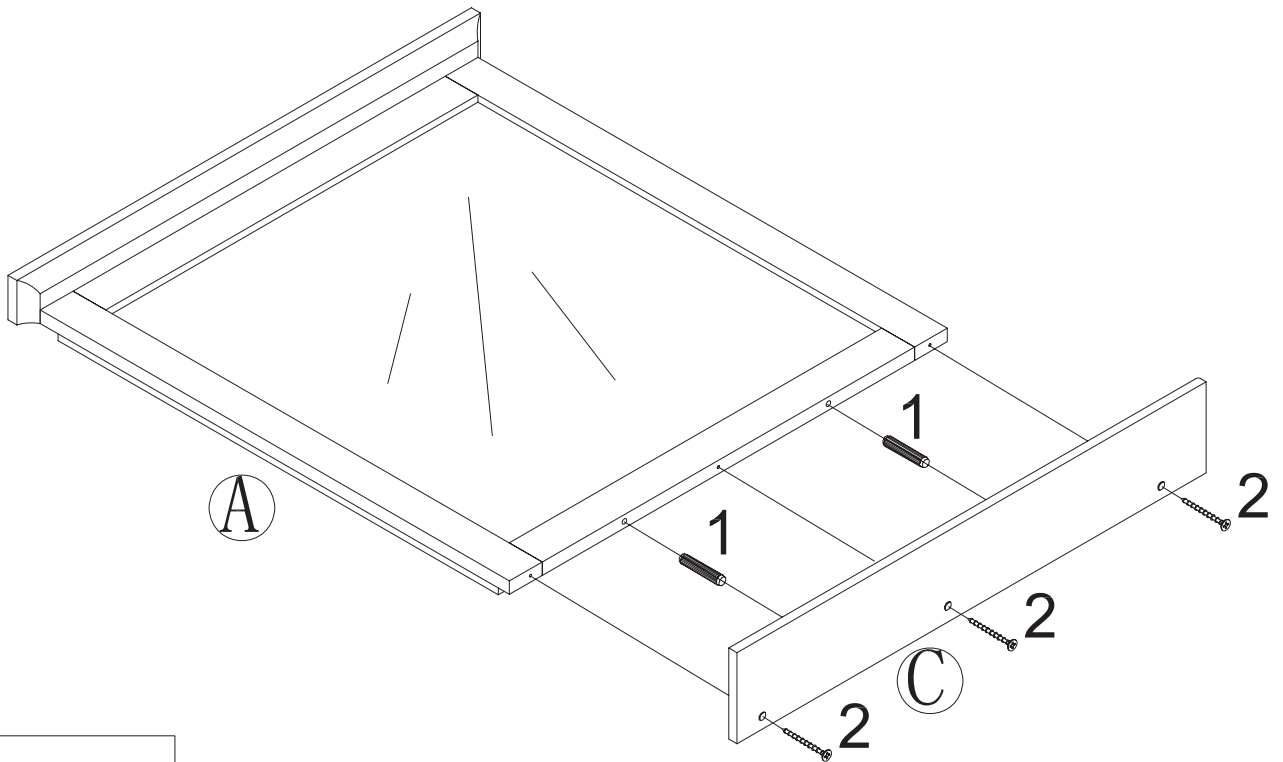
1





 (1)x2pcs

 (2)x3pcs

2

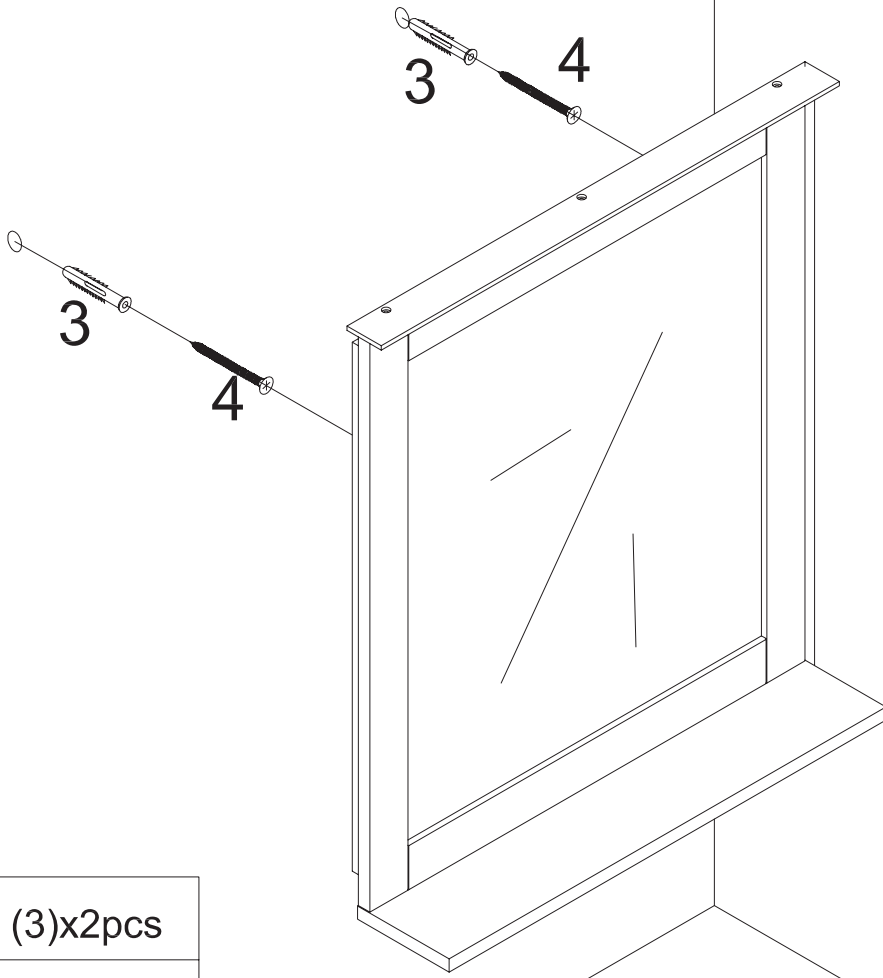


 (1)x2pcs

 (2)x3pcs

3 - 4

3

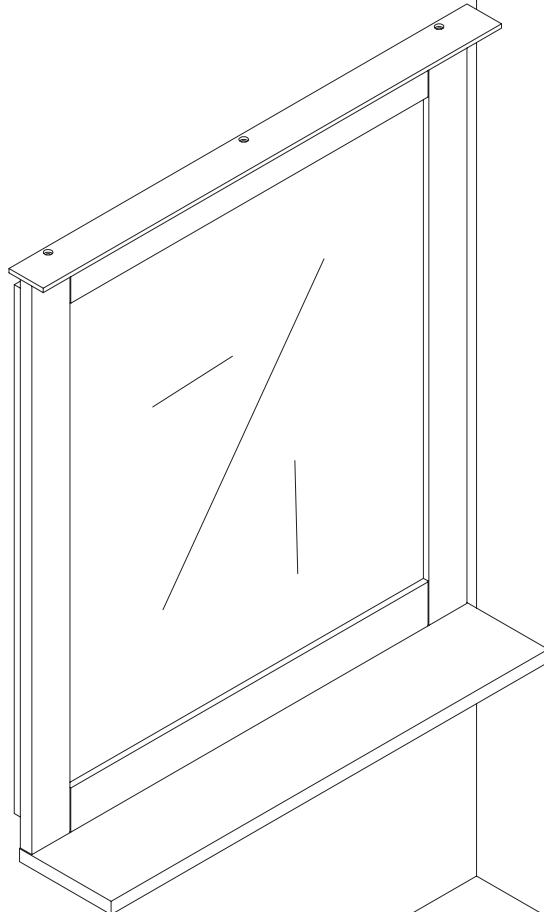


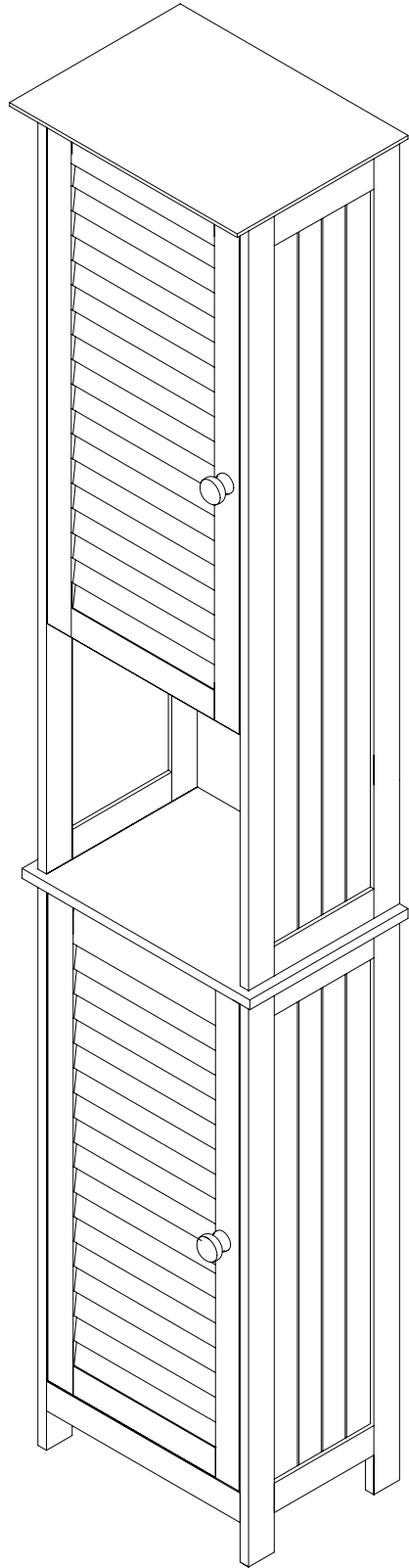
(3)x2pcs

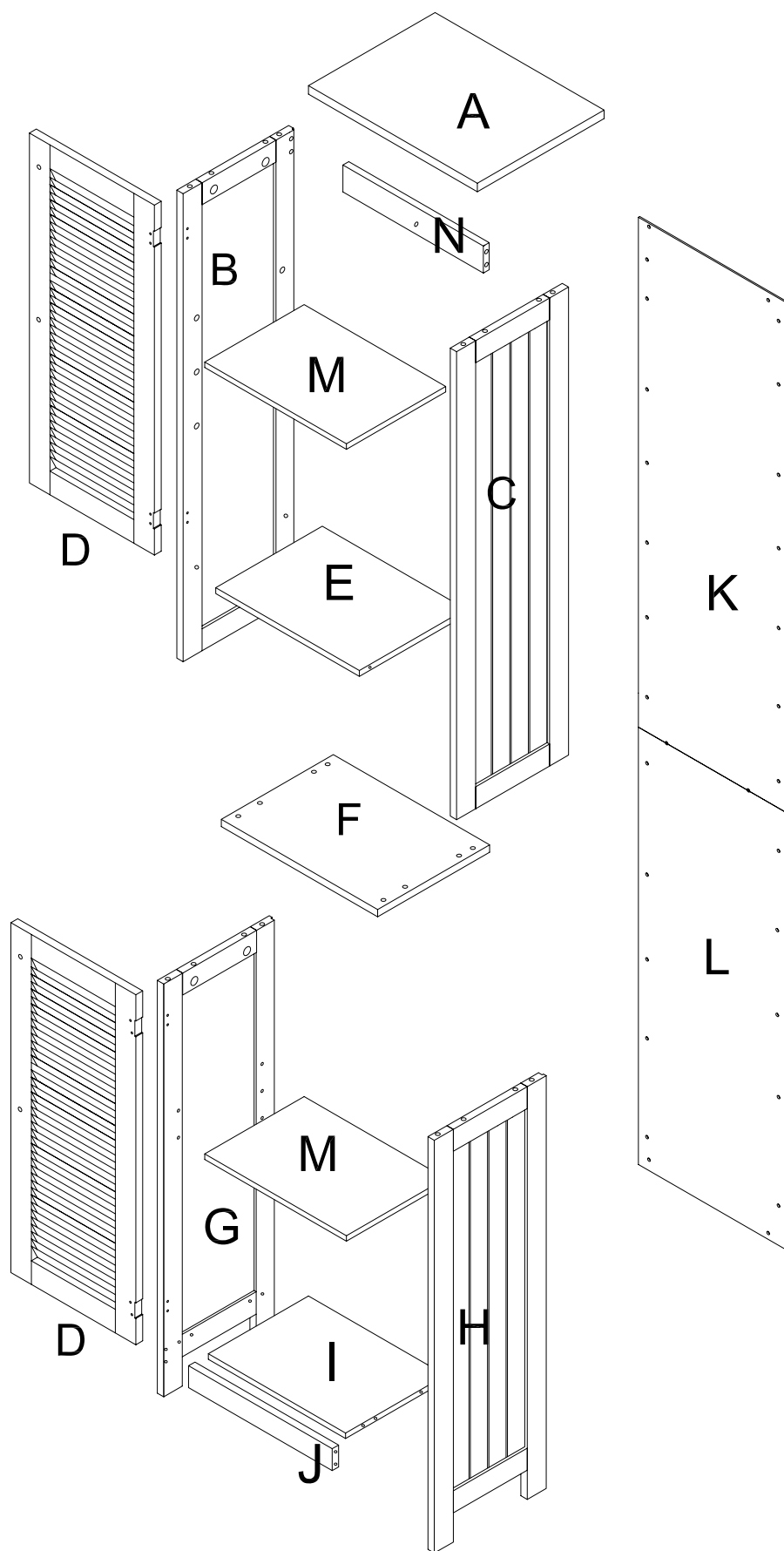


















(4)x2pcs

4

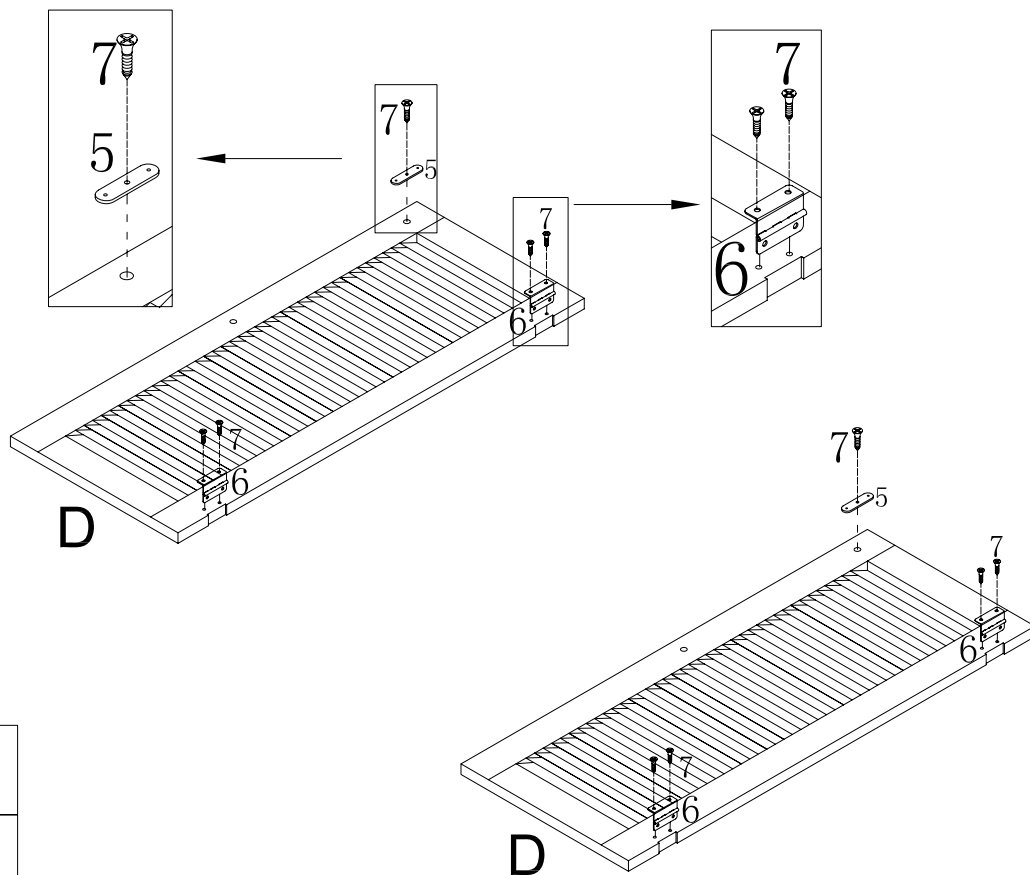


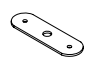


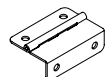



1		24pcs
2		16pcs
3	 $\phi 15 \times 12 \text{mm}$	8pcs
4	 $\phi 15 \times 9.5 \text{mm}$	8pcs
5		2pcs
6		4pcs
7	 $\phi 3 \times 12 \text{mm}$	18pcs
8	 $\phi 4 \times 30 \text{mm}$	4pcs
9	 $\phi 2.2 \times 10 \text{mm}$	30pcs
10		2pcs
11		2pcs
12		2pcs
13		8pcs
14	 $\phi 2.5 \times 12 \text{mm}$	4pcs
15		1pc
16		1pc

# Step 1

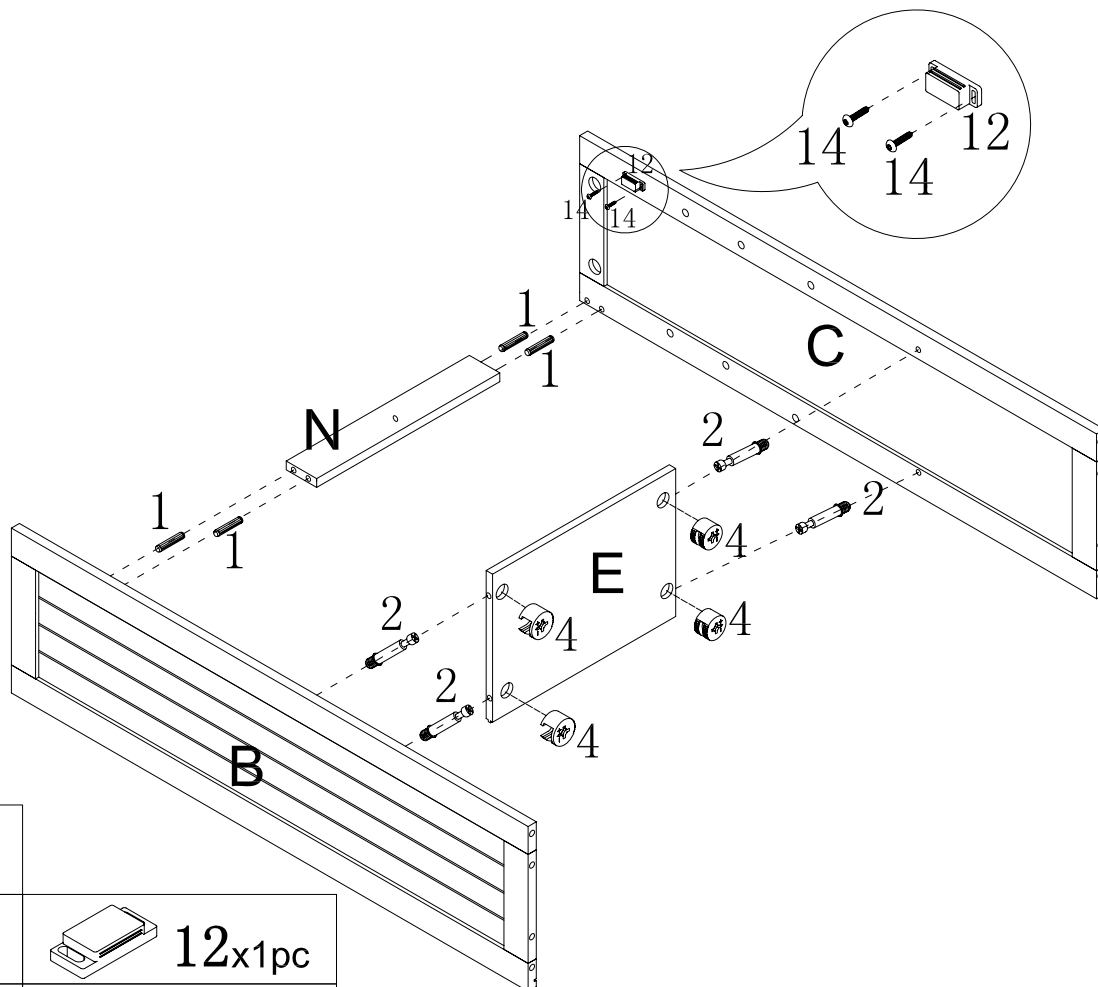



 5x2pcs


 6x4pcs


 7x10pcs

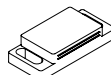
# Step 2




 1x4pcs

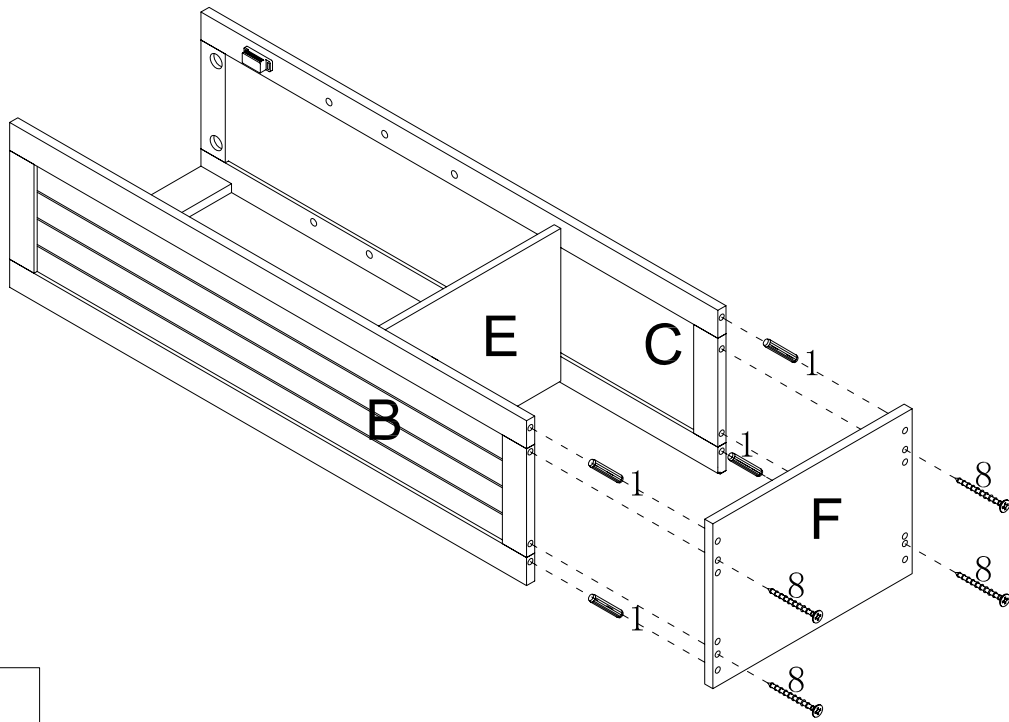
 2x4pcs


 4x4pcs


 12x1pc

 14x2pcs

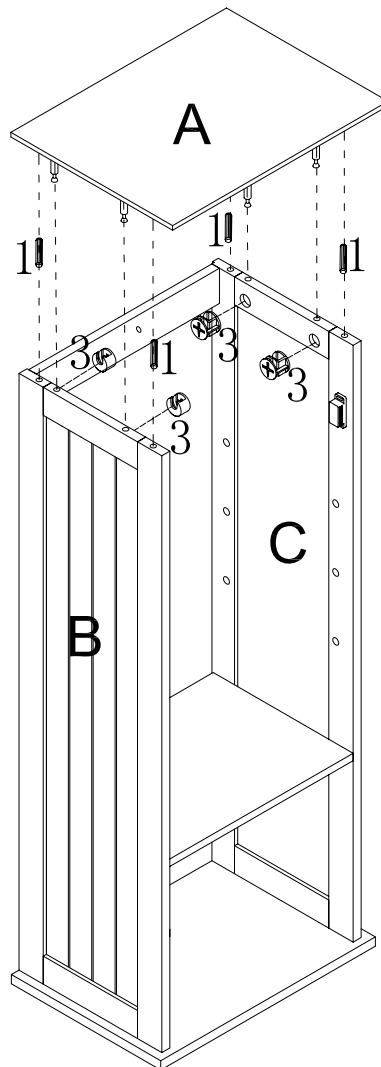
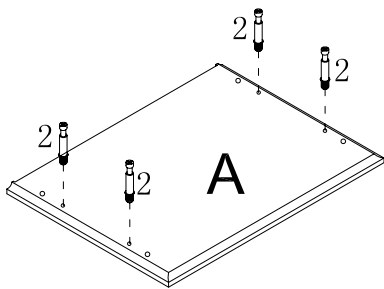
# Step 3





 1x4pcs


 8x4pcs

# Step 4

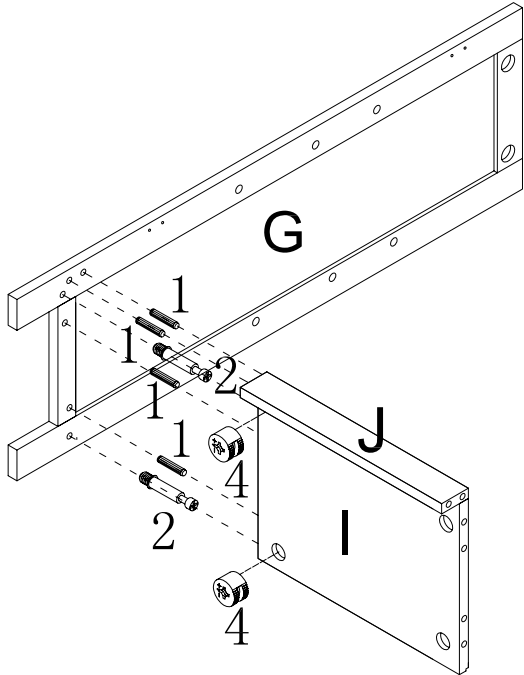



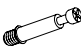

 1x4pcs

 2x4pcs

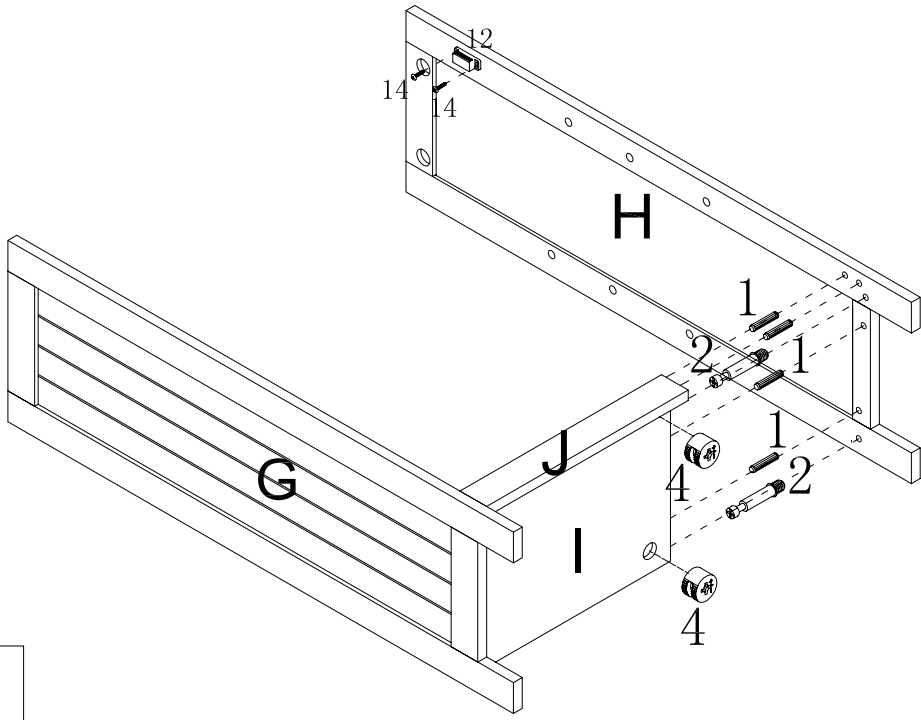
 3x4pcs



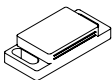


# Step 5



	1x4pcs
	2x2pcs
	4x2pcs

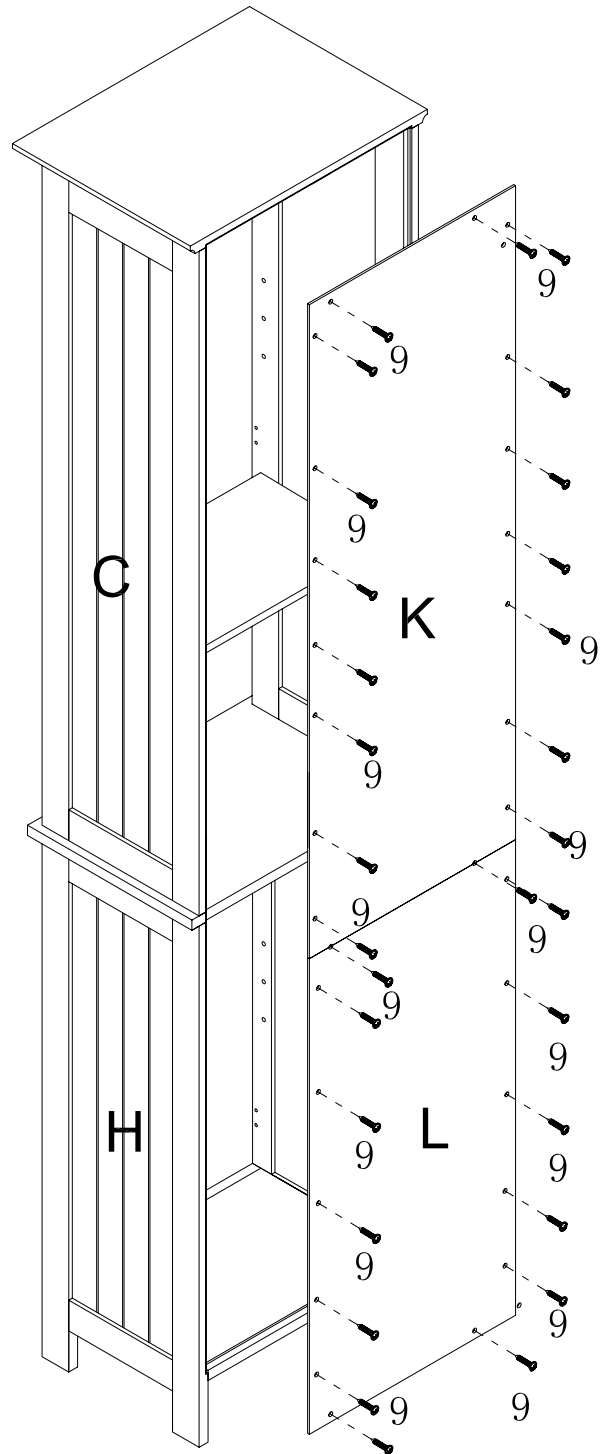
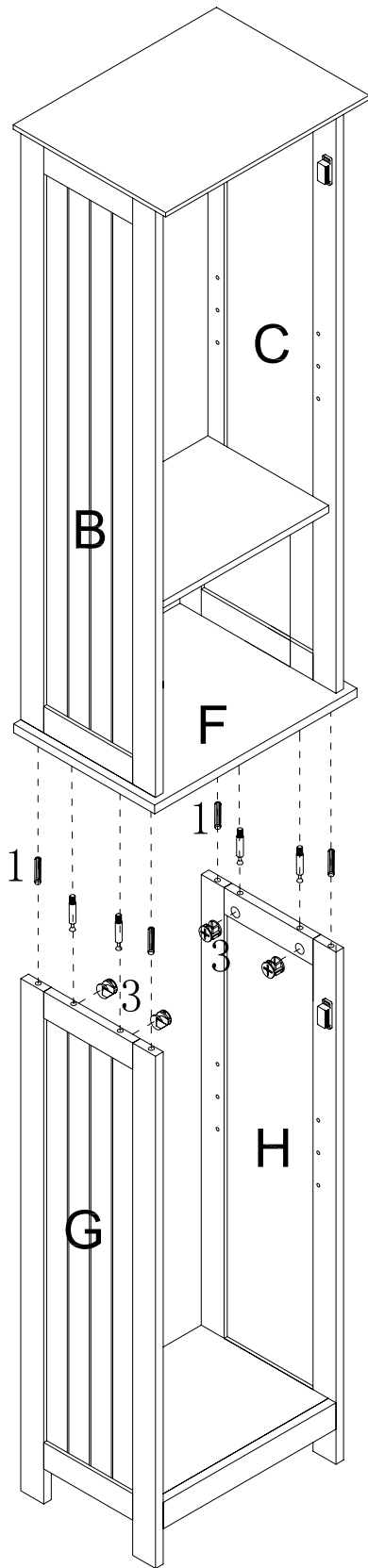
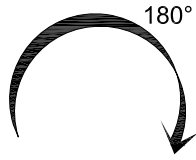
# Step 6







	1x4pcs	
	2x2pcs	 12x1pc
	4x2pcs	 14x2pcs

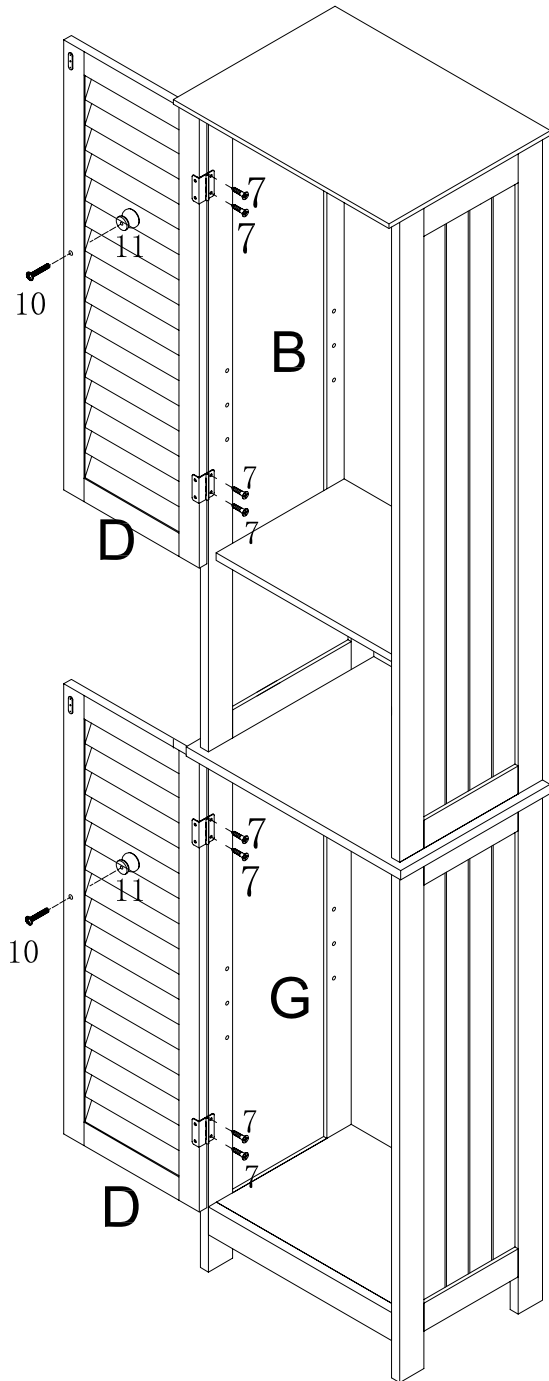


# Step 7

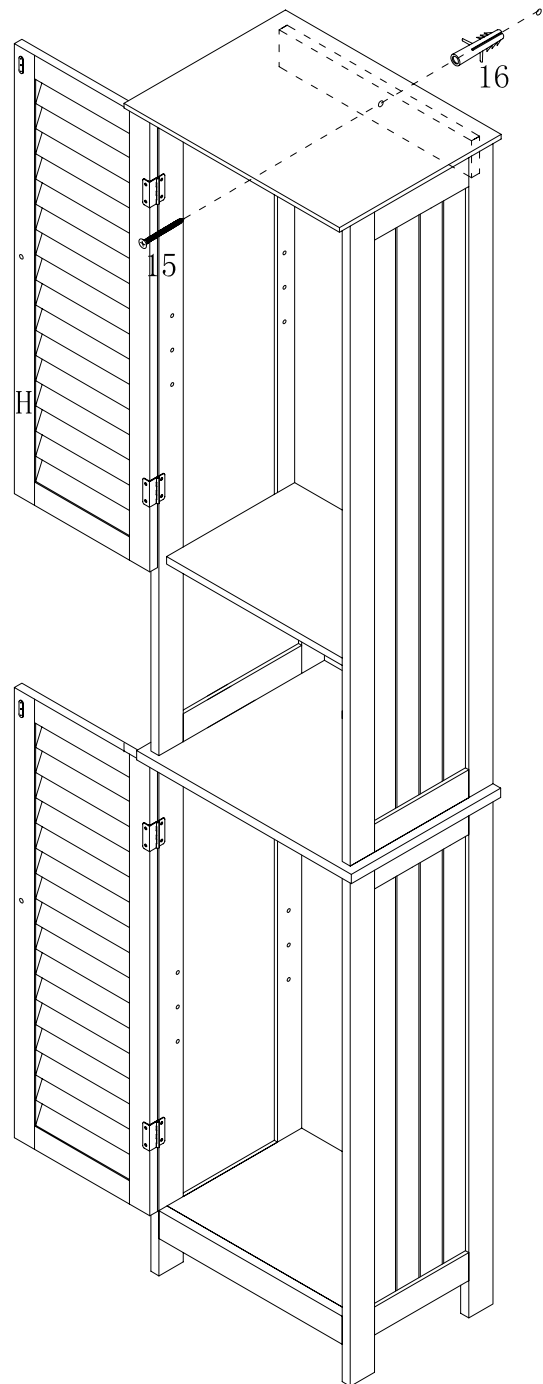


	1x4pcs		3x4pcs
	2x4pcs		9x30pcs

# Step 8



# Step 9



7x8pcs



10x2pcs



11x2pcs

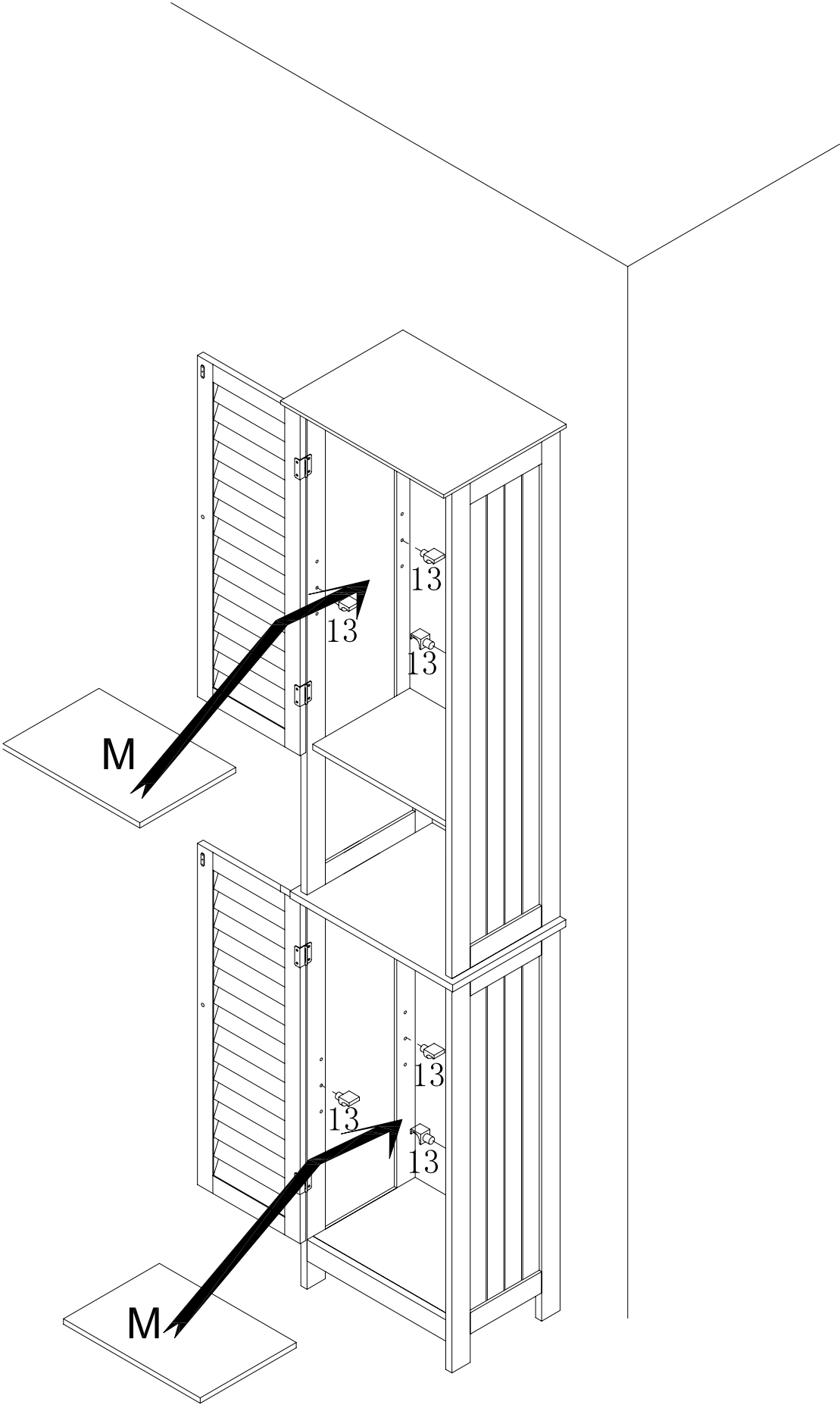


15x1pc



16x1pc

# Step 10



13x8pcs