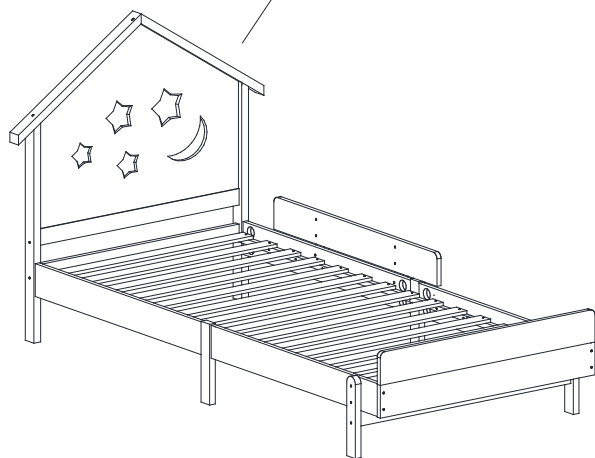
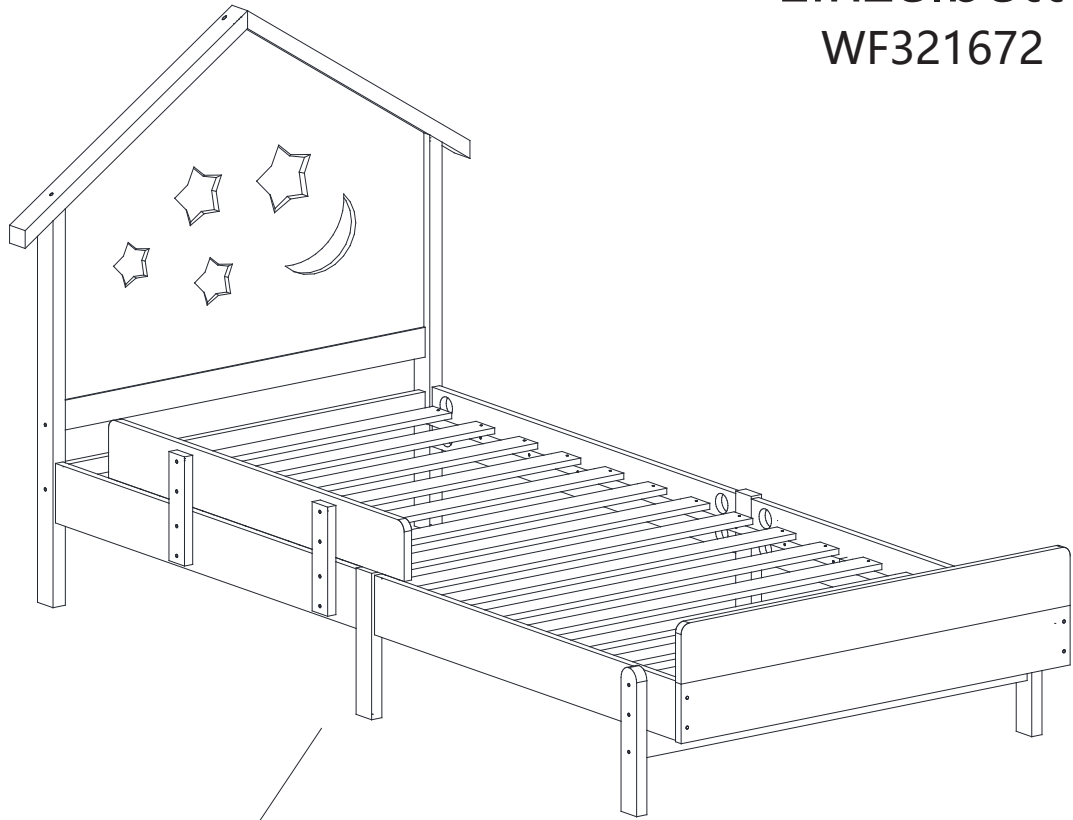
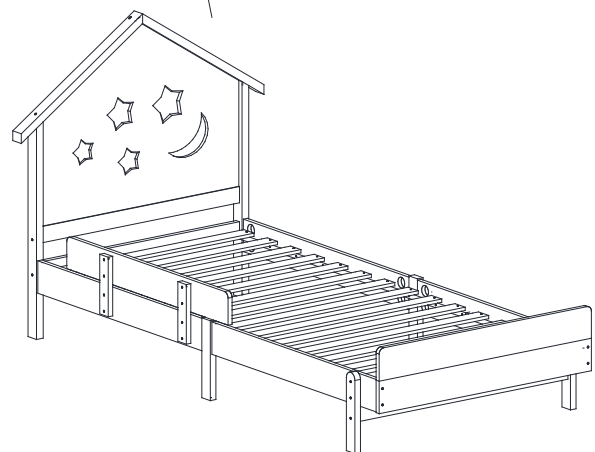


# MONTAGEINSTRUKTIONEN

Einzelbett  
WF321672

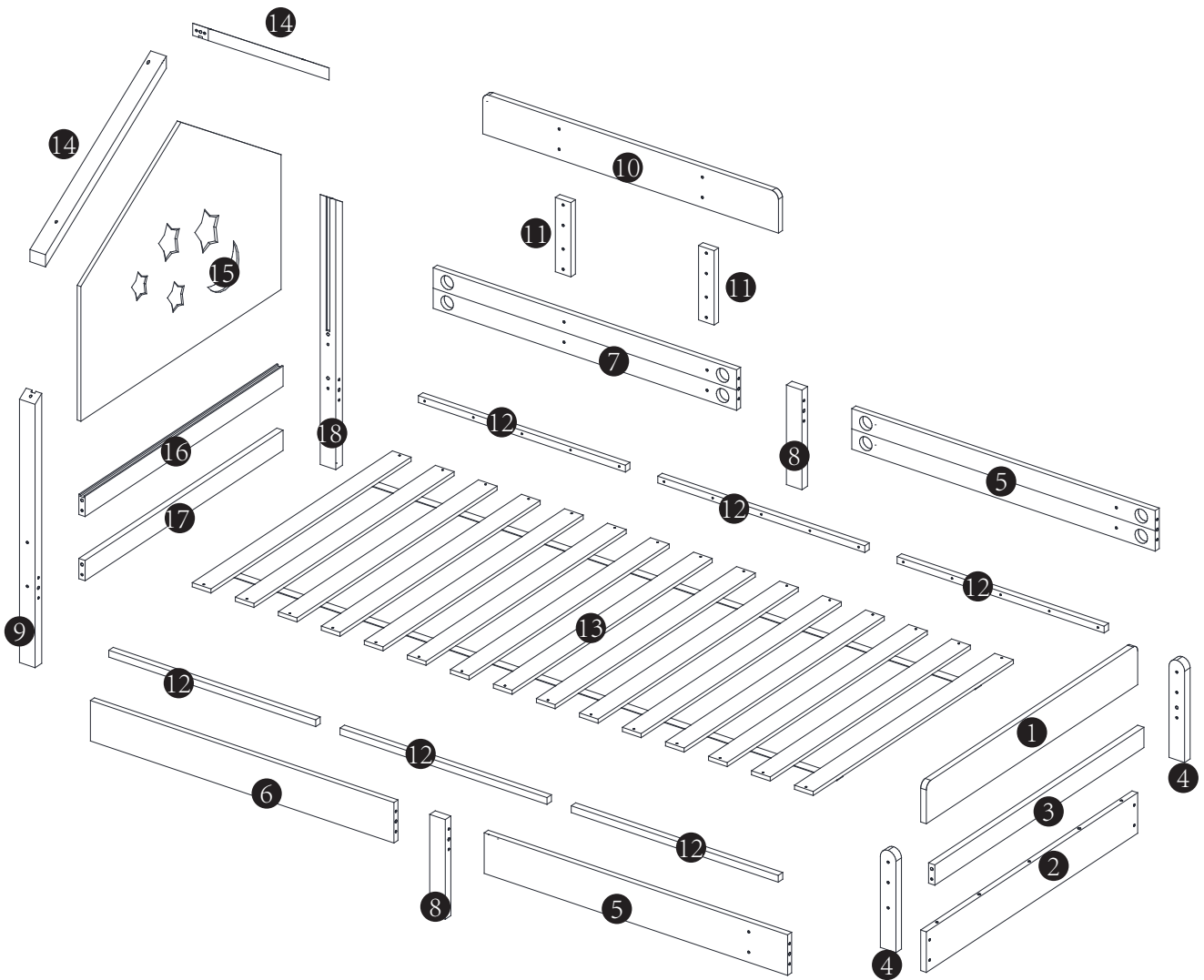


Version 1

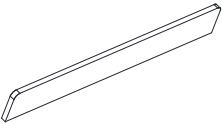
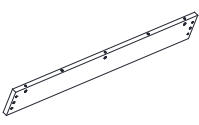
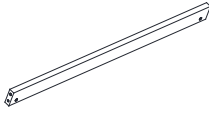
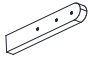
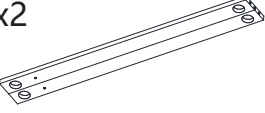
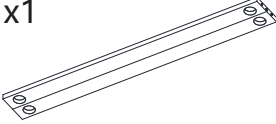
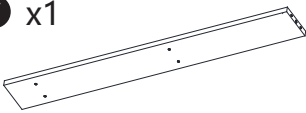
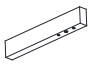
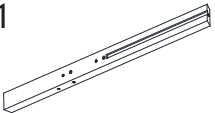
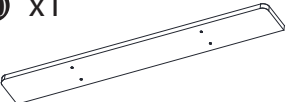

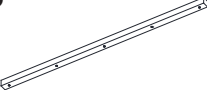
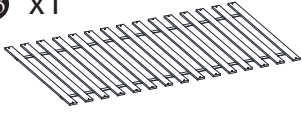
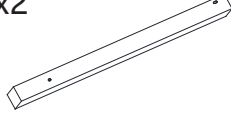

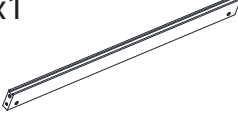
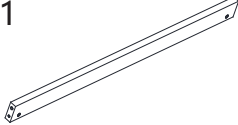
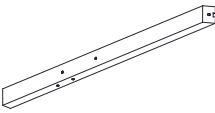


Version 2





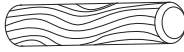




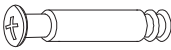







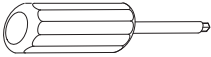
# Detailansicht



# WF321672

<b>1</b> x1 	<b>2</b> x1 	<b>3</b> x1 	<b>4</b> x2 
<b>5</b> x2 	<b>6</b> x1 	<b>7</b> x1 	<b>8</b> x2 
<b>9</b> x1 	<b>10</b> x1 	<b>11</b> x2 	<b>12</b> x6 
<b>13</b> x1 	<b>14</b> x2 	<b>15</b> x1 	<b>16</b> x1 
<b>17</b> x1 	<b>18</b> x1 		

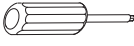
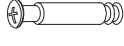


# WF321672

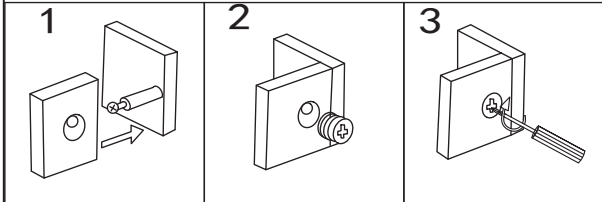
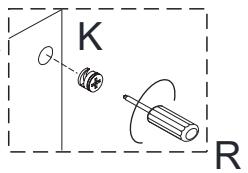
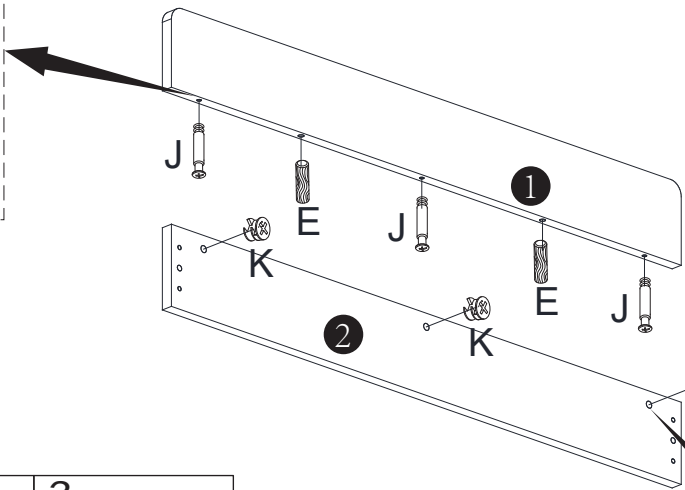
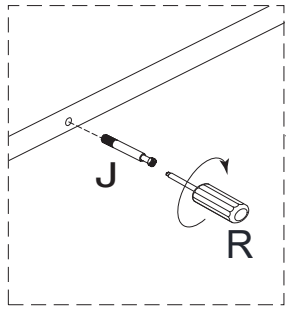
<b>A</b> 	<b>B</b> 	<b>C</b> 
m6*90mm(4PCS)	m6*70mm(10PCS)	m6*35mm(4PCS)
<b>D</b> 	<b>E</b> 	<b>F</b> 
m6*25mm(8PCS)	Φ8*30mm(17PCS)	m6*20mm(12PCS)
<b>G</b> 	<b>H</b> 	<b>I</b> 
Φ4*30mm(60PCS)	Φ4*40mm(2PCS)	(6PCS)
<b>J</b> 	<b>K</b> 	<b>L</b> 
(3PCS)	(3PCS)	m6*60mm(2PCS)
<b>M</b> 	<b>N</b> 	<b>O</b> 
Φ6*140mm(4PCS)	(16PCS)	(16PCS)
<b>P</b> 	<b>Q</b> 	<b>R</b> 
(2PCS)	(2PCS)	(1PCS)

VERWENDEN SIE KEINE POWER TOOLS, um dieses Produkt zusammenzubauen!

# SCHRITT 1:





Version 1

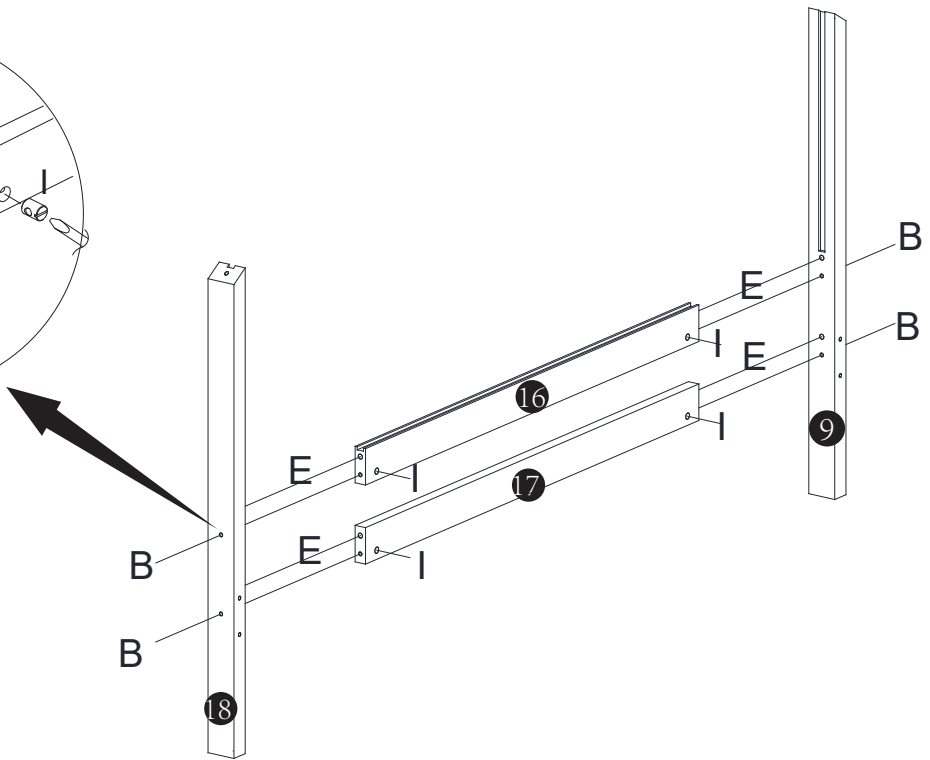
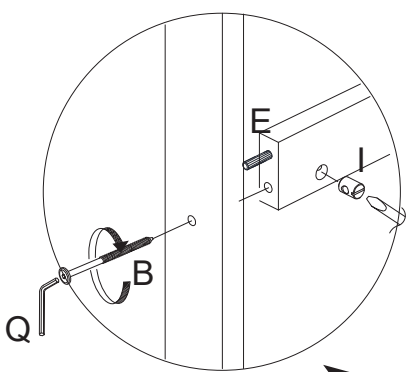
R	J	E	K
			
1PC	3PCS	2PCS	3PCS



# SCHRITT 2:





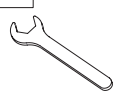
Version 1

Q	I	E	B
			
1PC	4PCS	4PCS	4PCS

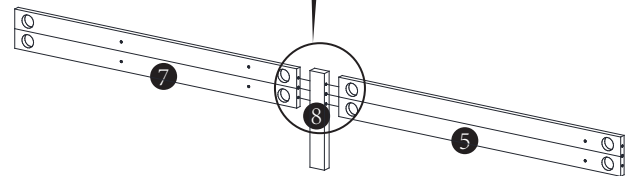
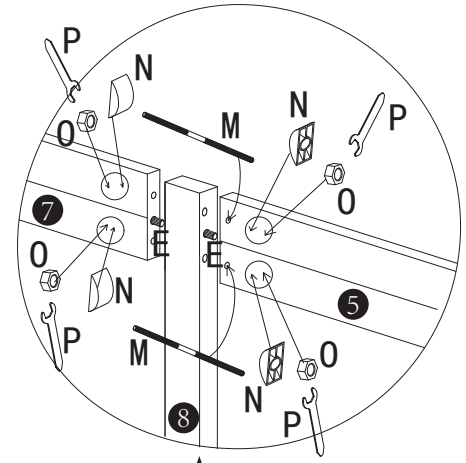
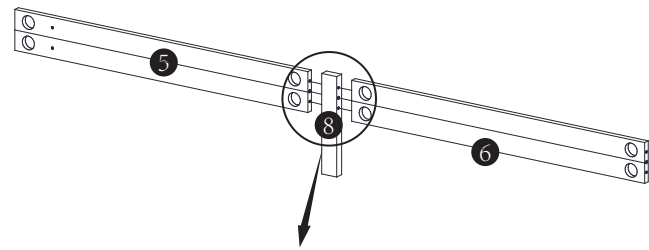


# SCHRITT 3:

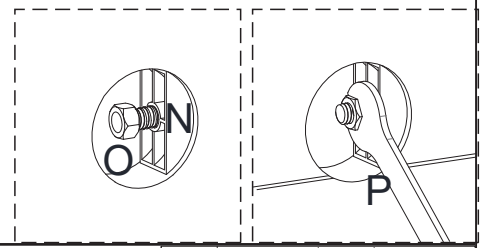
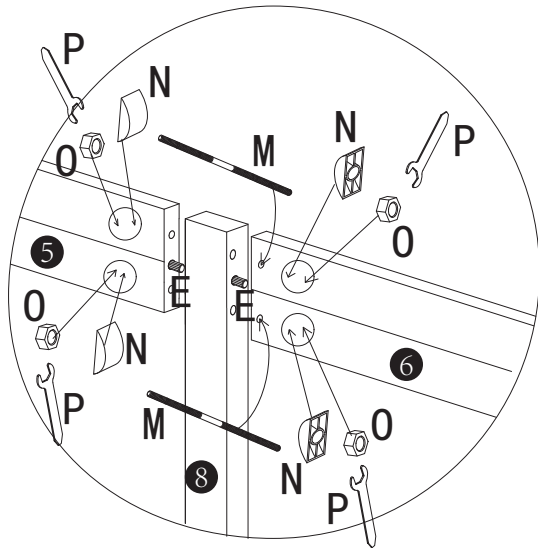
## Version 1

E	M	N	O	P
				
4PCS	4PCS	8PCS	8PCS	2PCS

Take note of the difference between the inner and outer sides of board No.08. When fully assembled, the inner side of board No.08 should be flush with No.06 and No.05.





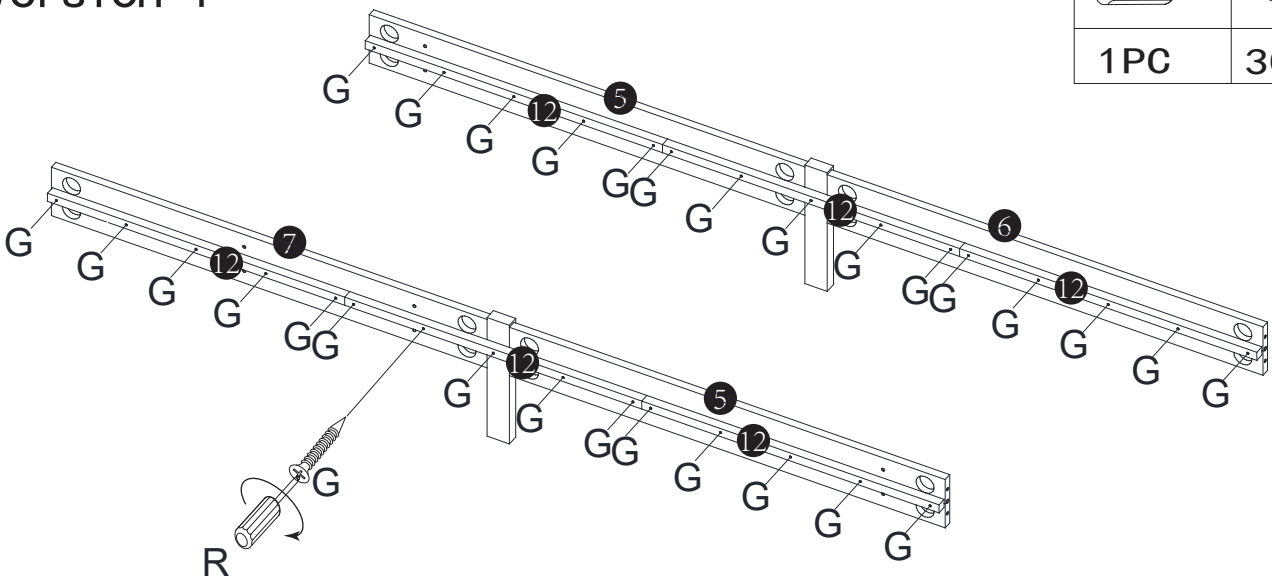
Take note of the difference between the inner and outer sides of board No.08. When fully assembled, the inner side of board No.08 should be flush with No.07 and No.05.



# SCHRITT 4:





## Version 1

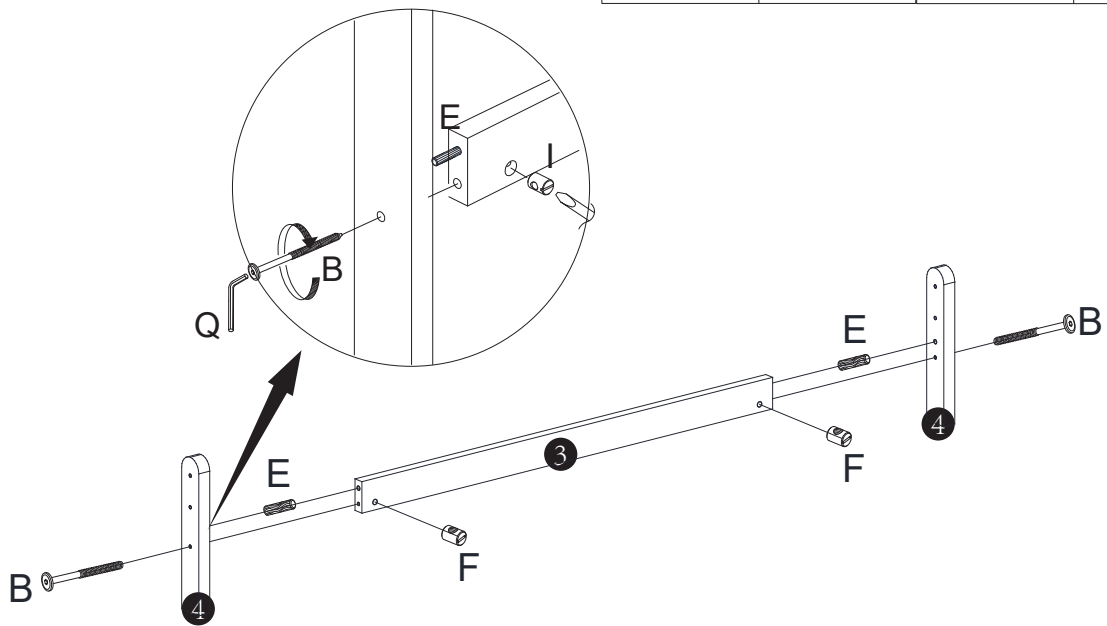
R	G
	
1PC	30PCS



# SCHRITT 5:

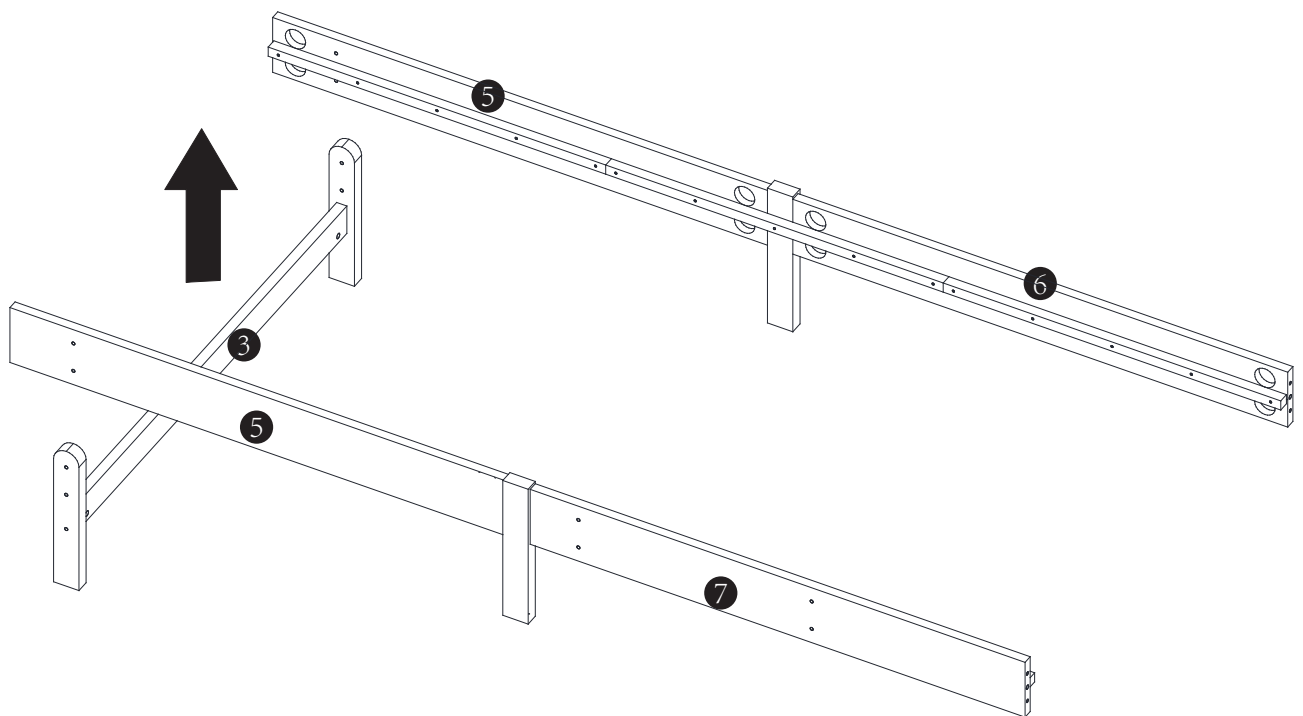
Version 1

Q	I	E	B
			
1PC	2PCS	2PCS	2PCS



# SCHRITT 6:

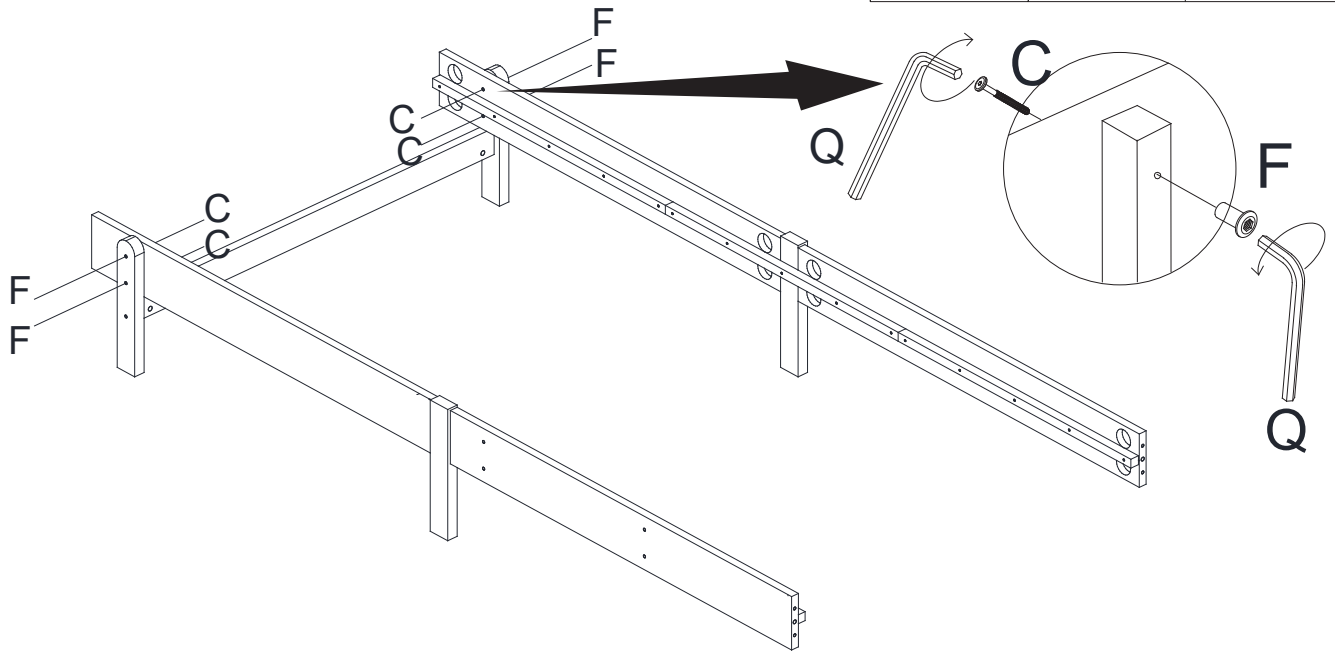
Version 1



# SCHRITT 7:

Version 1

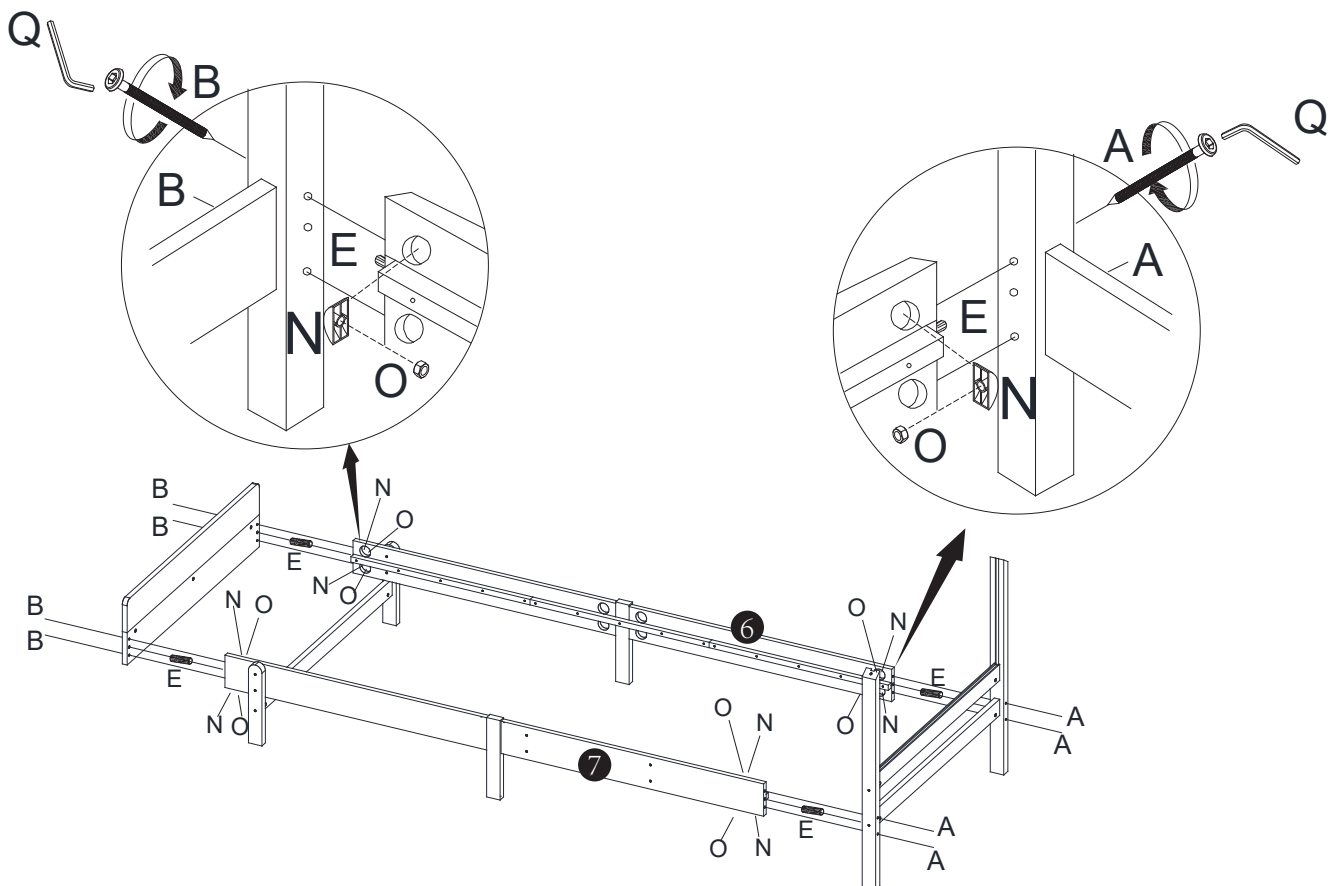
Q	F	C
2PCS	4PCS	4PCS



# SCHRITT 8:

Version 1




B	Q	N	O	P	E	A
4PCS	1PC	8PCS	8PCS	1PC	4PCS	4PCS

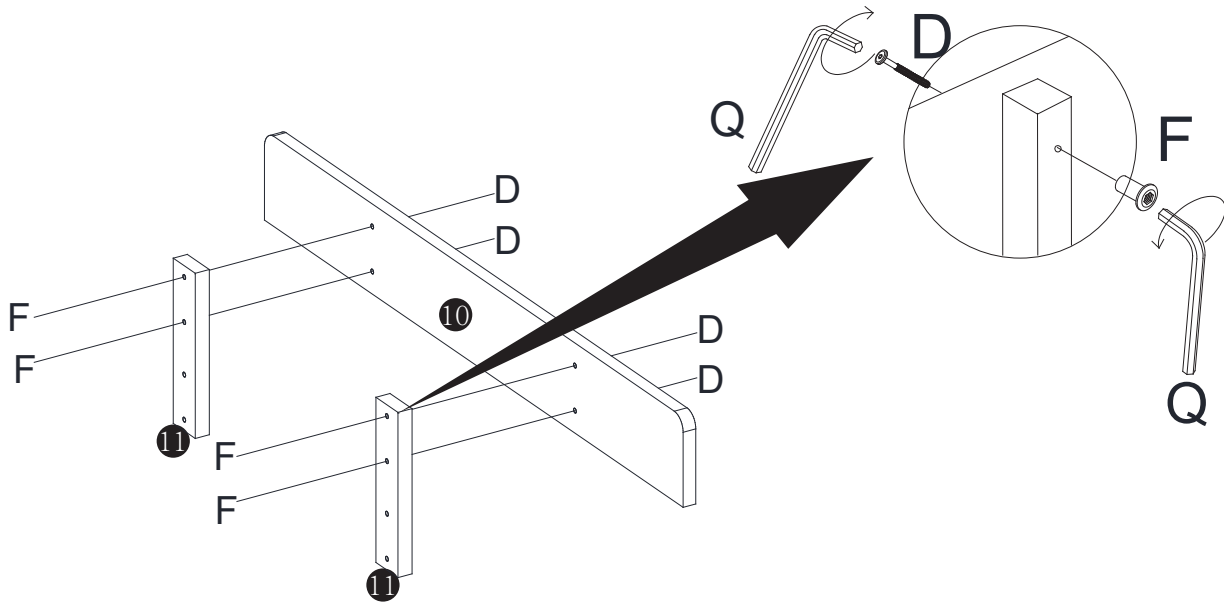




# SCHRITT9 :




Version 1

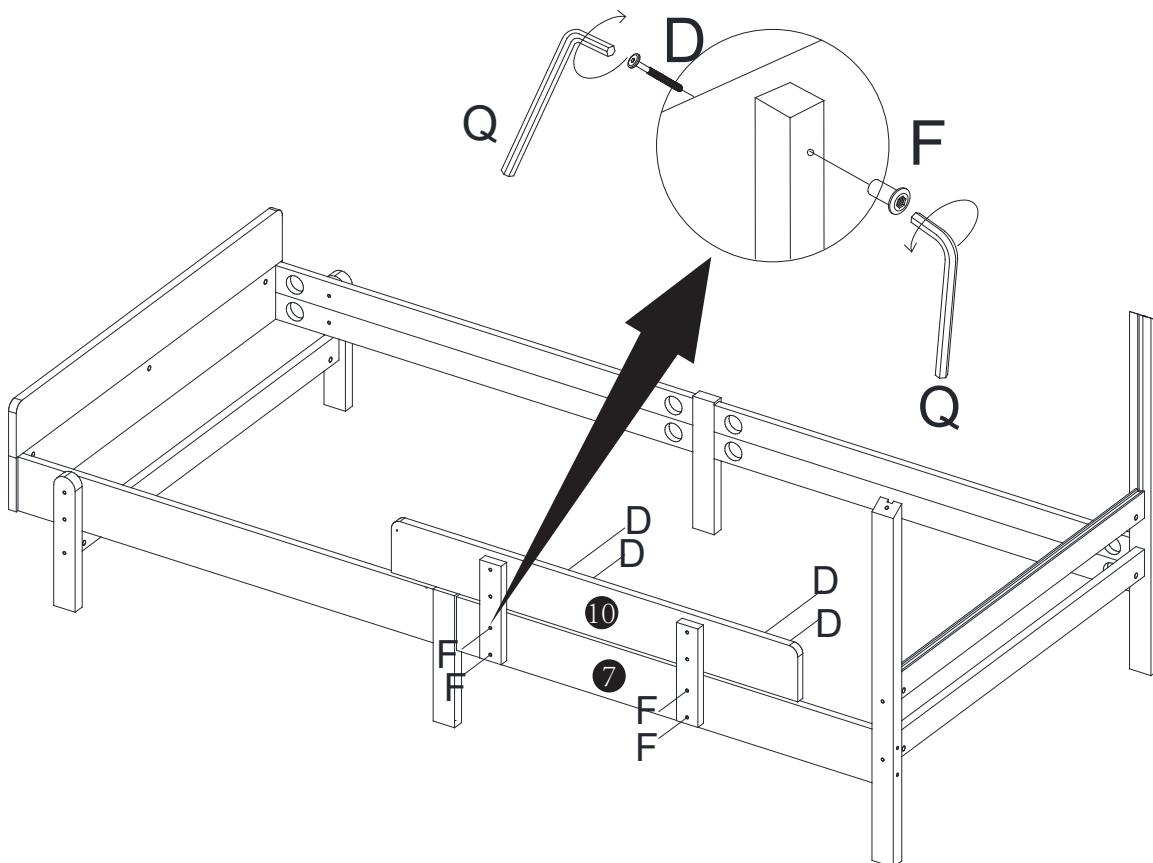
Q	F	D
		
2PCS	4PCS	4PCS



# SCHRITT10:



Version 1

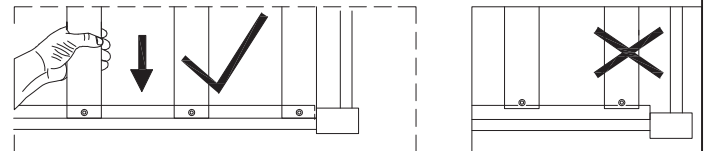
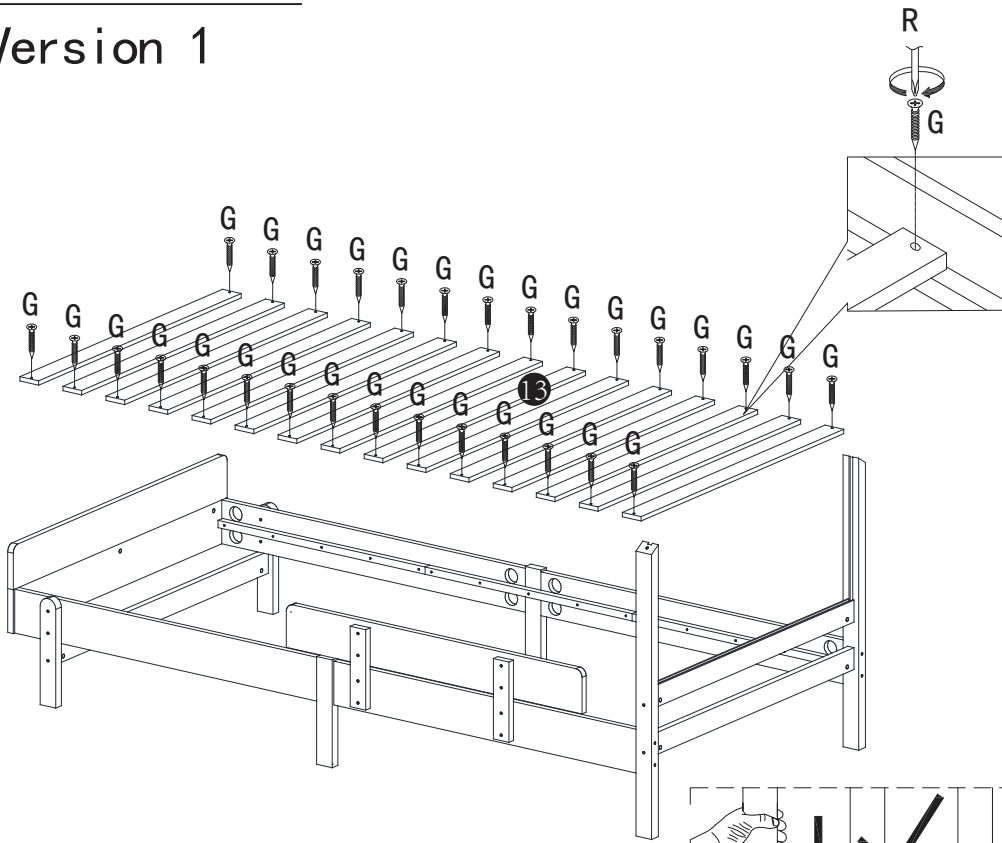
Q	F	D
		
2PCS	4PCS	4PCS



# SCHRITT11:




Version 1

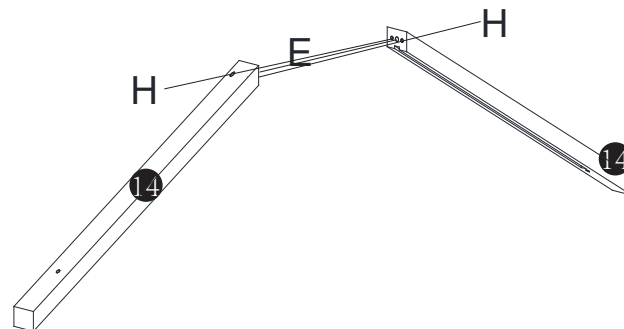
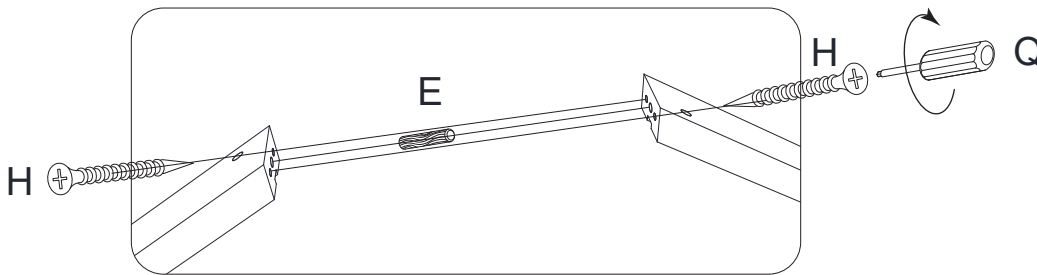
R	G
	
1PC	30PCS



# SCHRITT12:

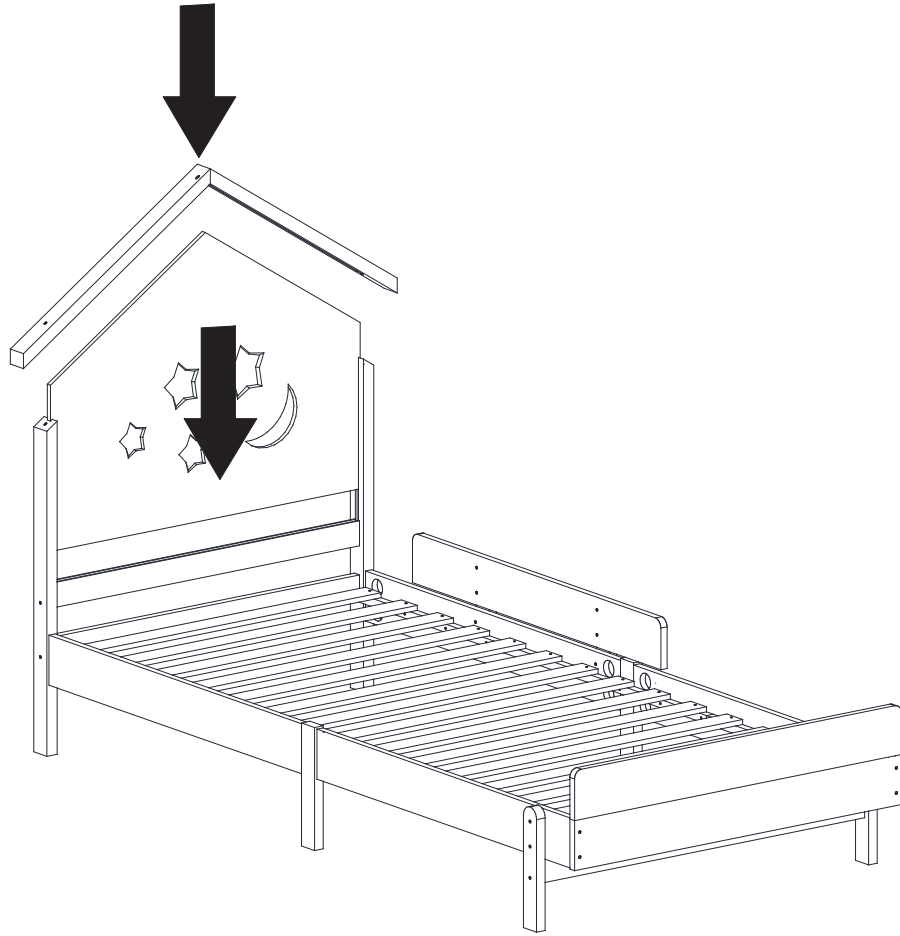
Version 1

H	E	Q
		
2PCS	1PC	1PC



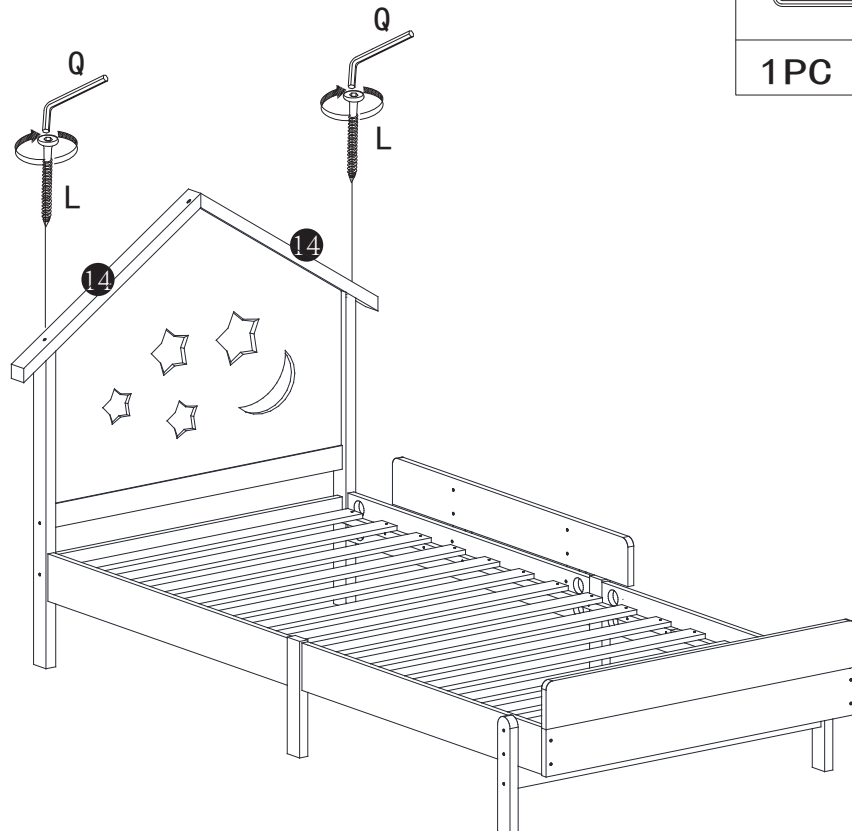
# SCHRITT13:



Version 1



# SCHRITT14:


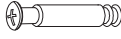


Version 1

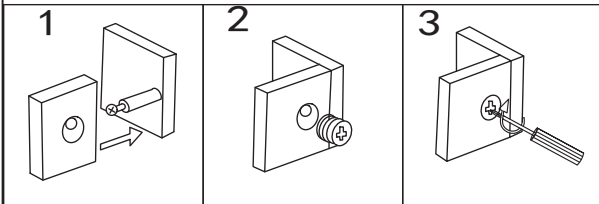
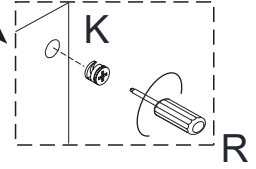
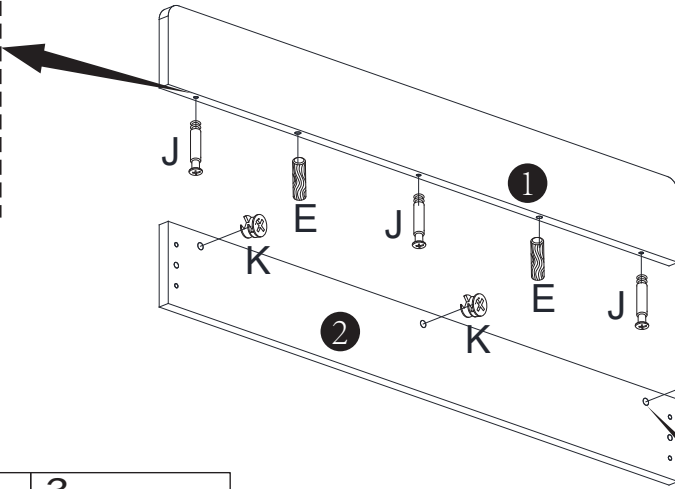
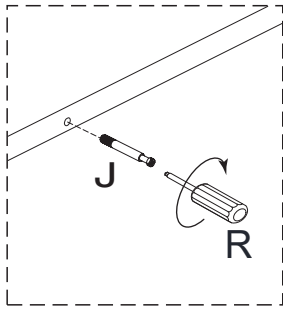


Q	L
	
1 PC	2 PCS

# SCHRITT 1:





Version 2

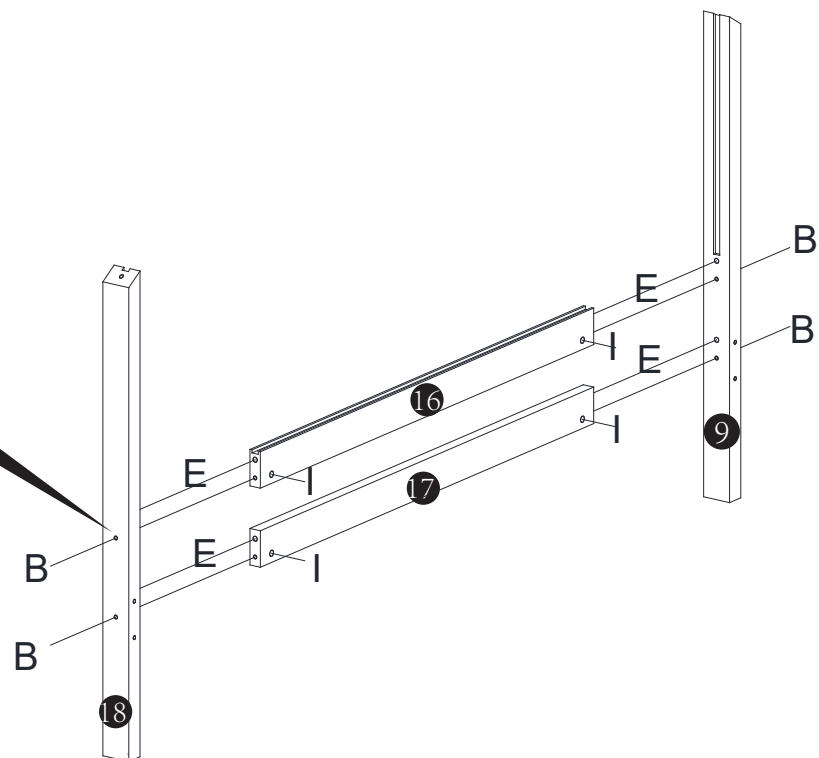
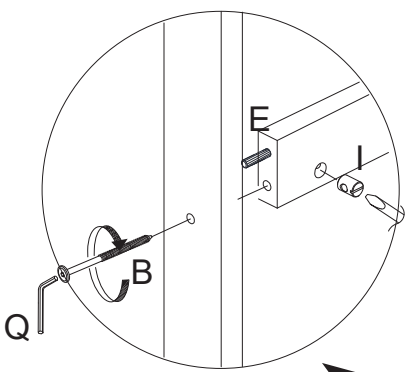
R	J	E	K
			
1PC	3PCS	2PCS	3PCS



# SCHRITT 2:






Version 2

Q	I	E	B
			
1PC	4PCS	4PCS	4PCS

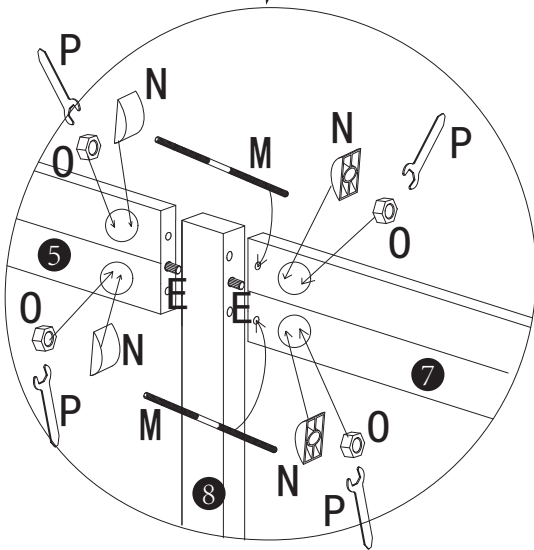
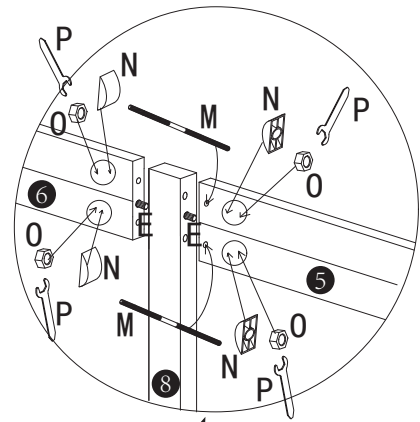
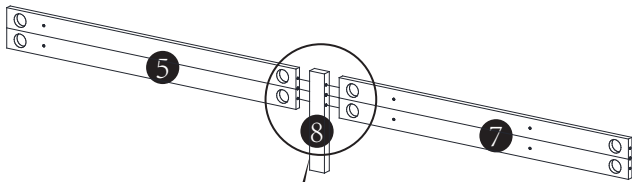


### SCHRITT 3:

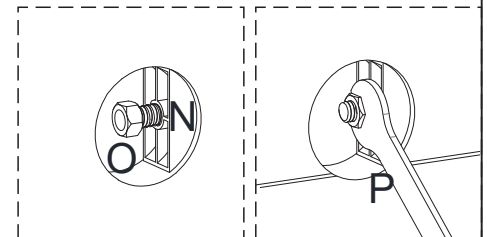
#### Version 2

<b>E</b> 	<b>M</b> 	<b>N</b> 	<b>O</b> 	<b>P</b> 
4PCS	4PCS	8PCS	8PCS	2PCS

Take note of the difference between the inner and outer sides of board No.08. When fully assembled, the inner side of board No.08 should be flush with No.07 and No.05 .

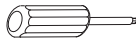



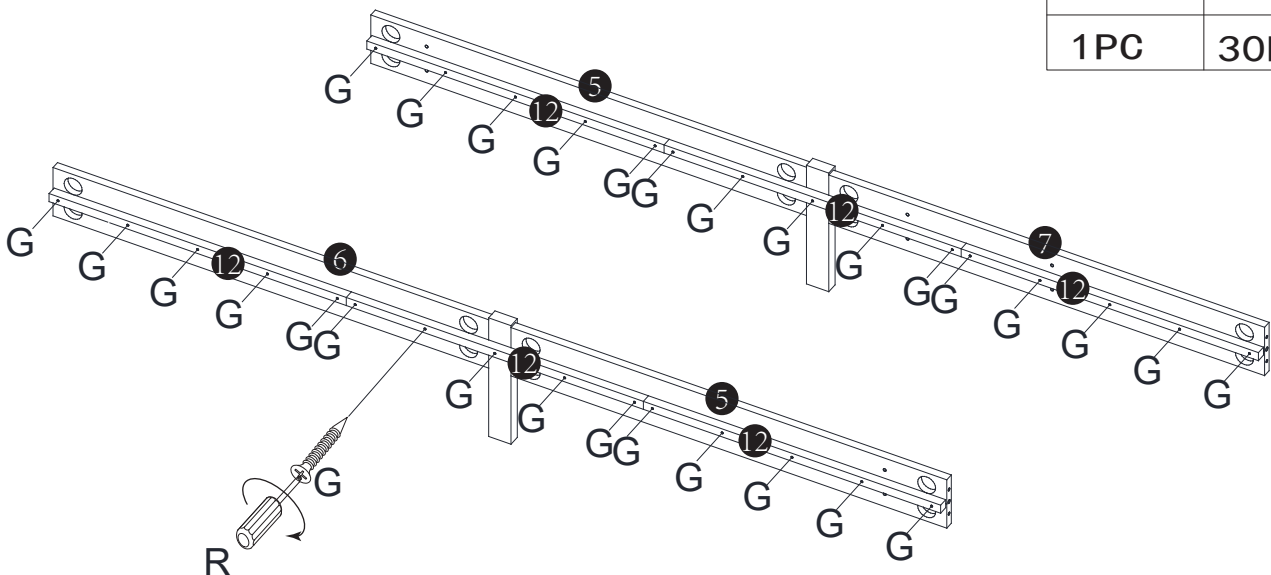
Take note of the difference between the inner and outer sides of board No.08. When fully assembled, the inner side of board No.08 should be flush with No.06 and No.05 .



### SCHRITT 4:





#### Version 2

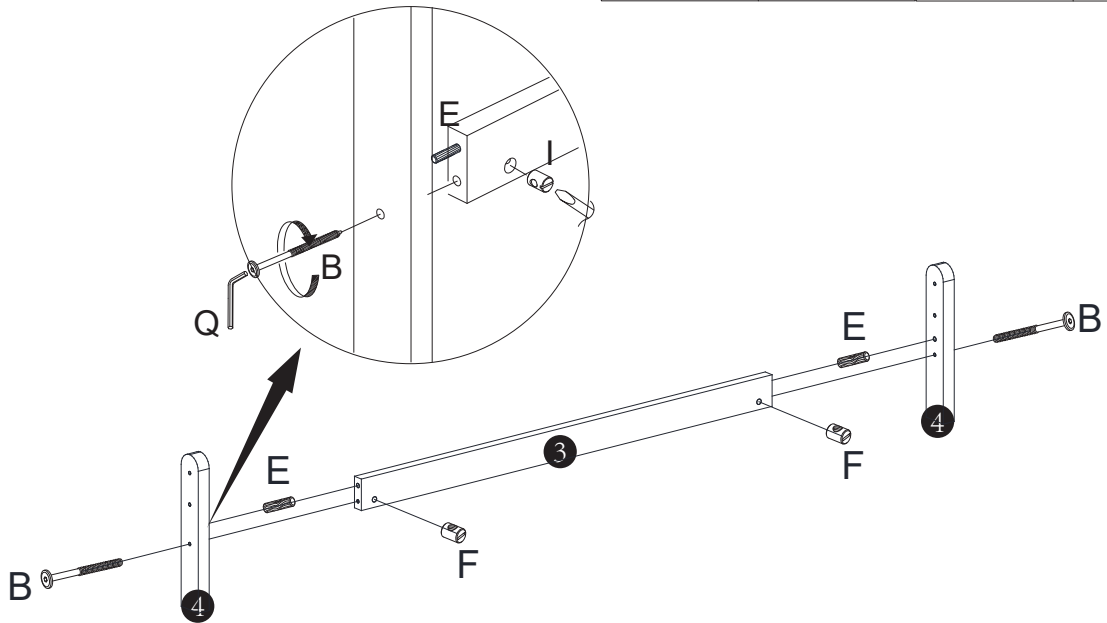
<b>R</b> 	<b>G</b> 
1PC	30PCS



## SCHRITT 5:

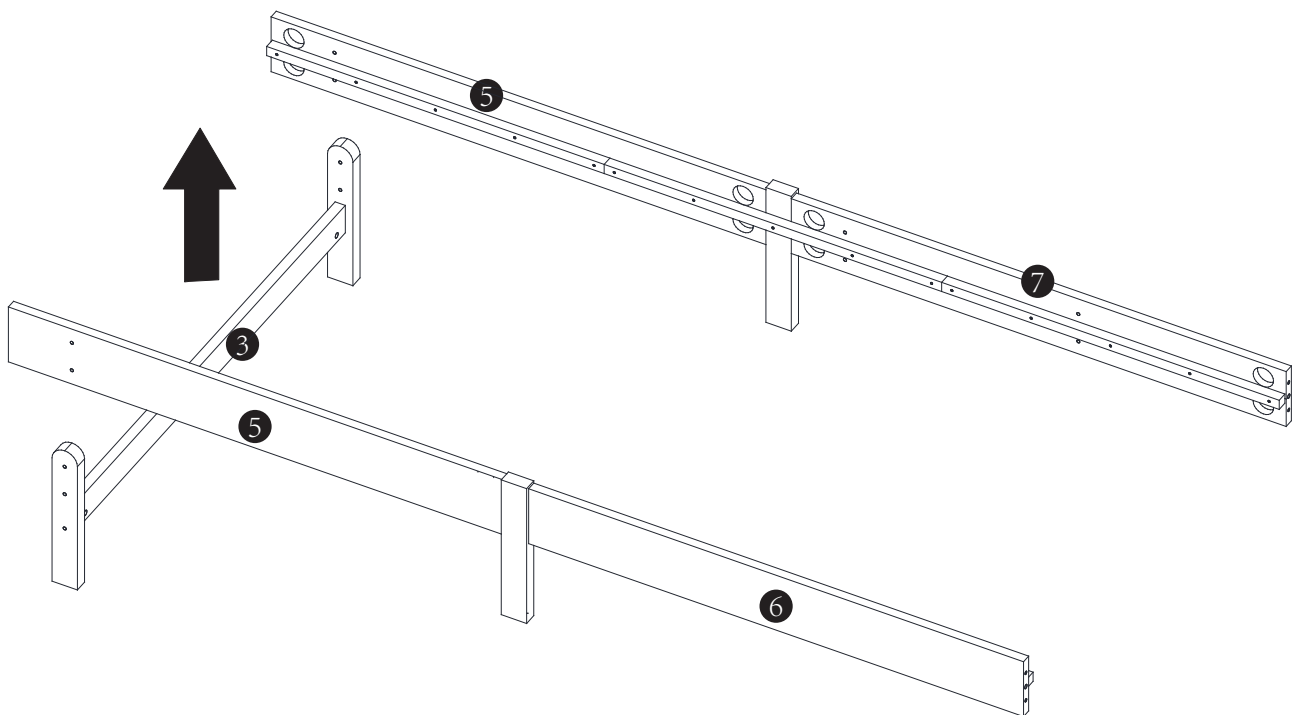
Version 2

Q	I	E	B
			
1PC	2PCS	2PCS	2PCS



## SCHRITT 6:

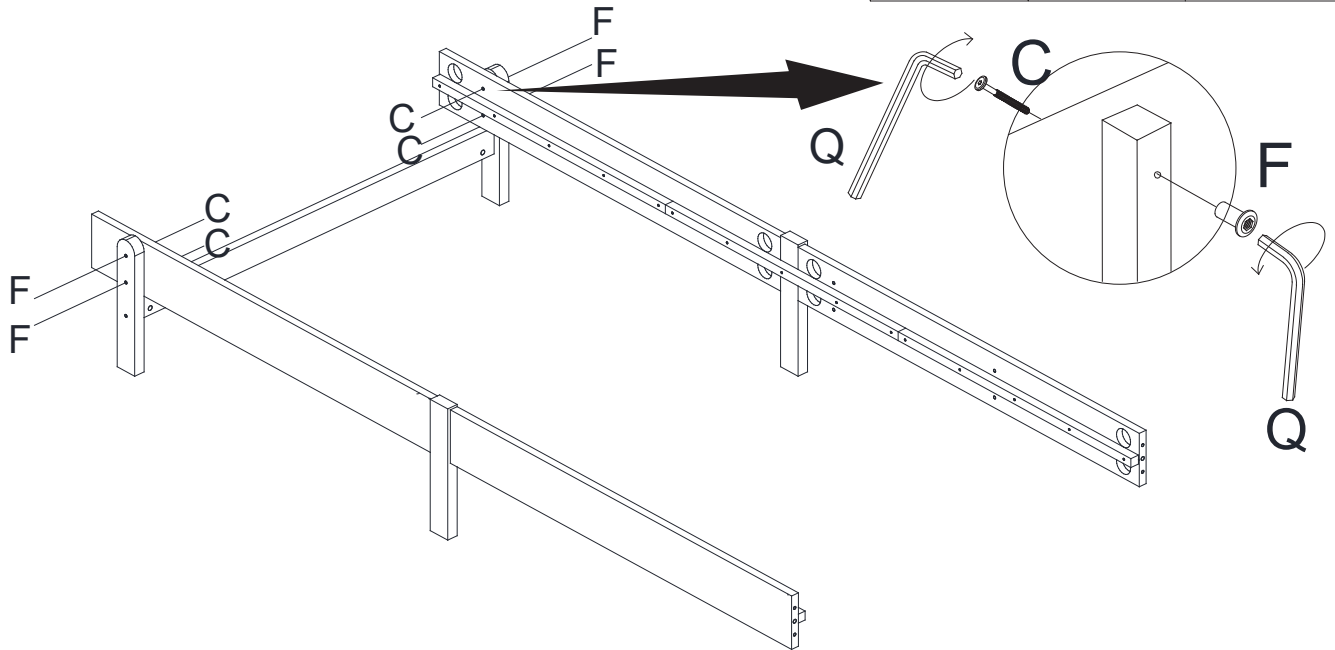
Version 2



# SCHRITT 7:

Version 2

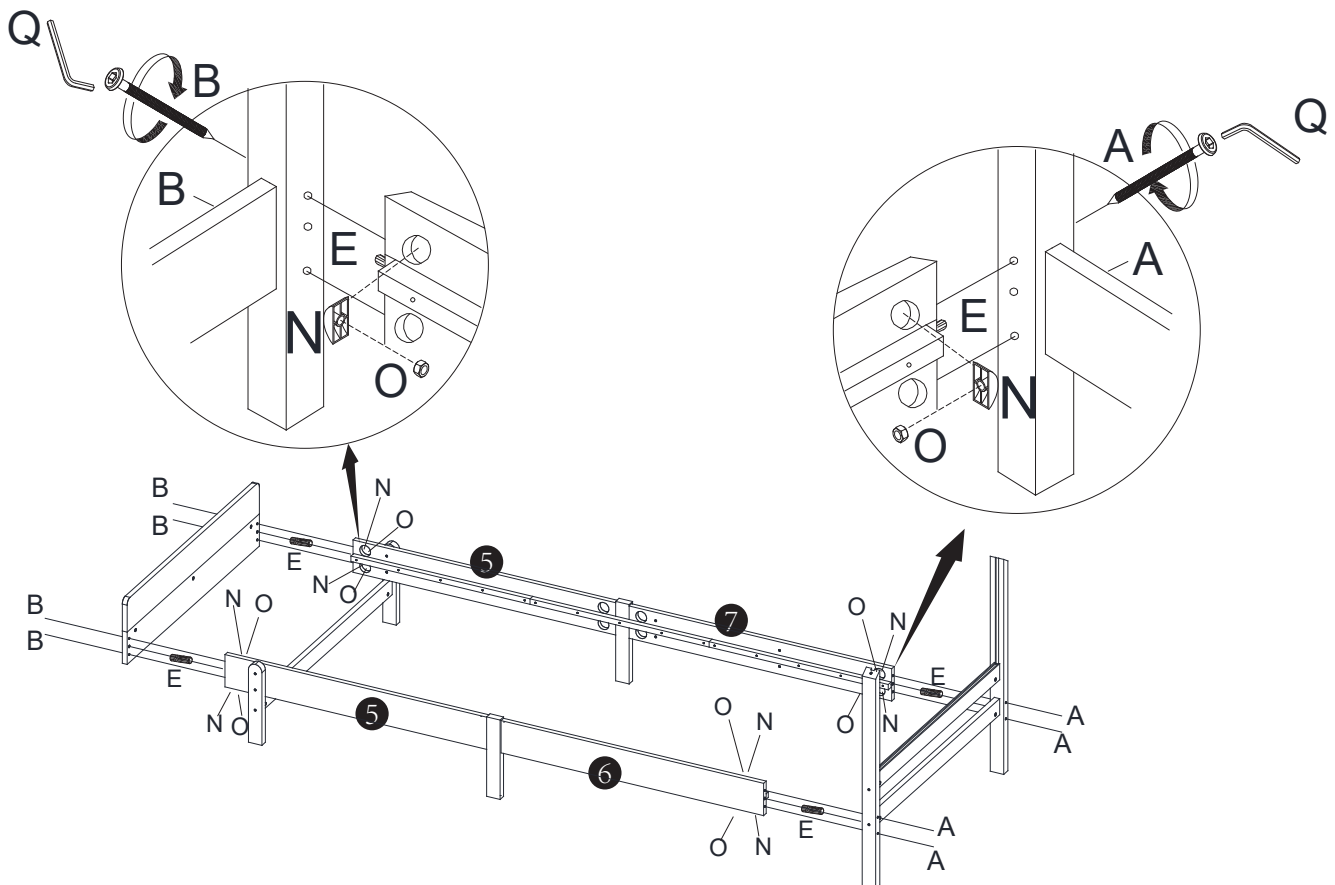
Q	F	C
2PCS	4PCS	4PCS



# SCHRITT 8:




Version 2

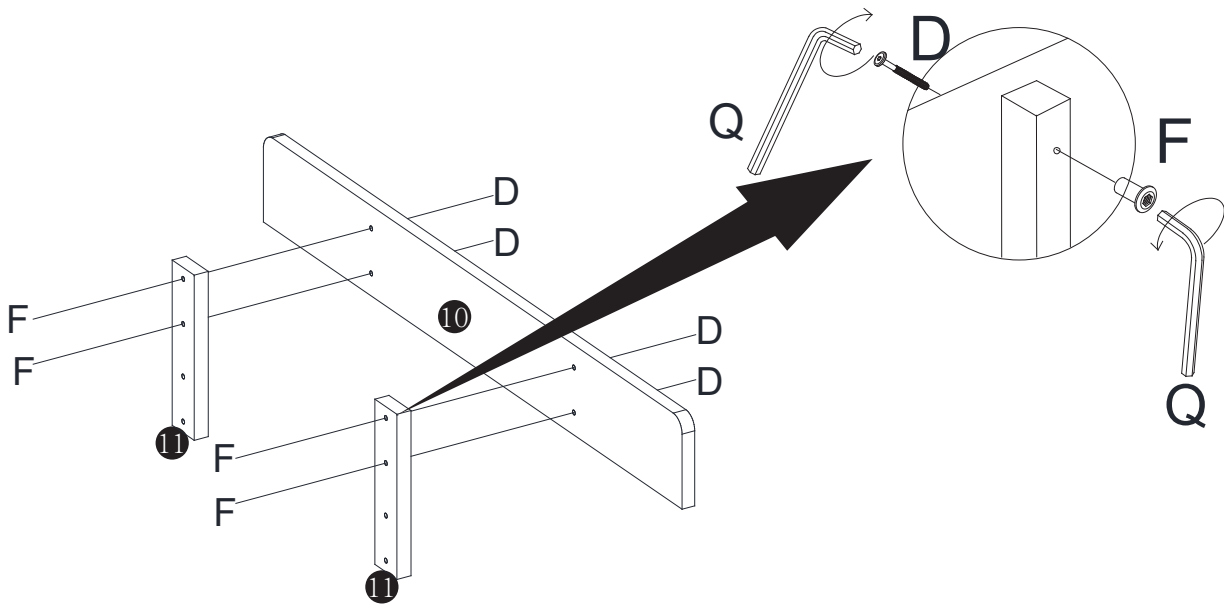
B	Q	N	O	P	E	A
4PCS	1PC	8PCS	8PCS	1PC	4PCS	4PCS



# SCHRITT 9 :




Version 2

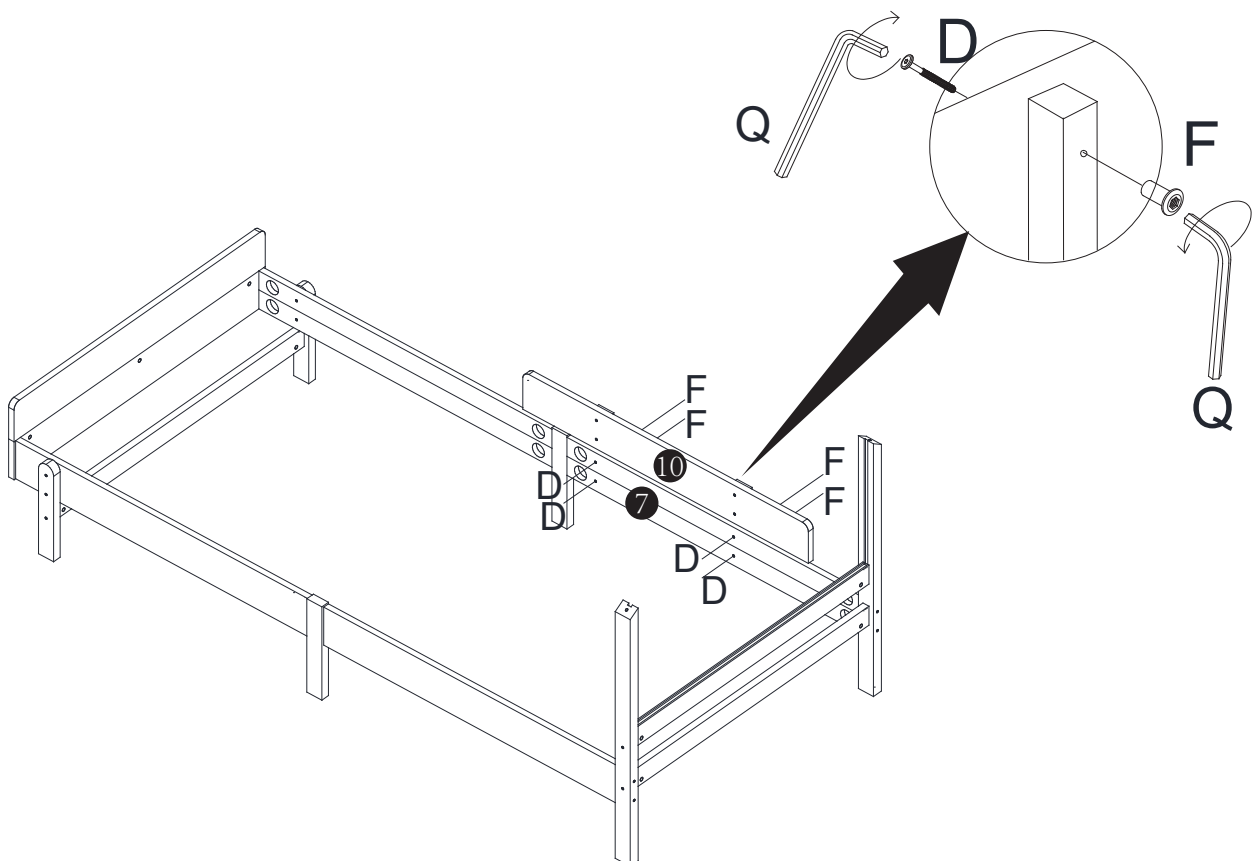
Q	F	D
		
2PCS	4PCS	4PCS



# SCHRITT 10:

Version 2



Q	F	D
		
2PCS	4PCS	4PCS

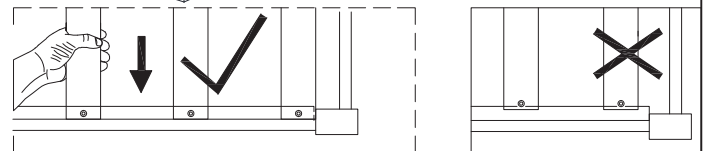
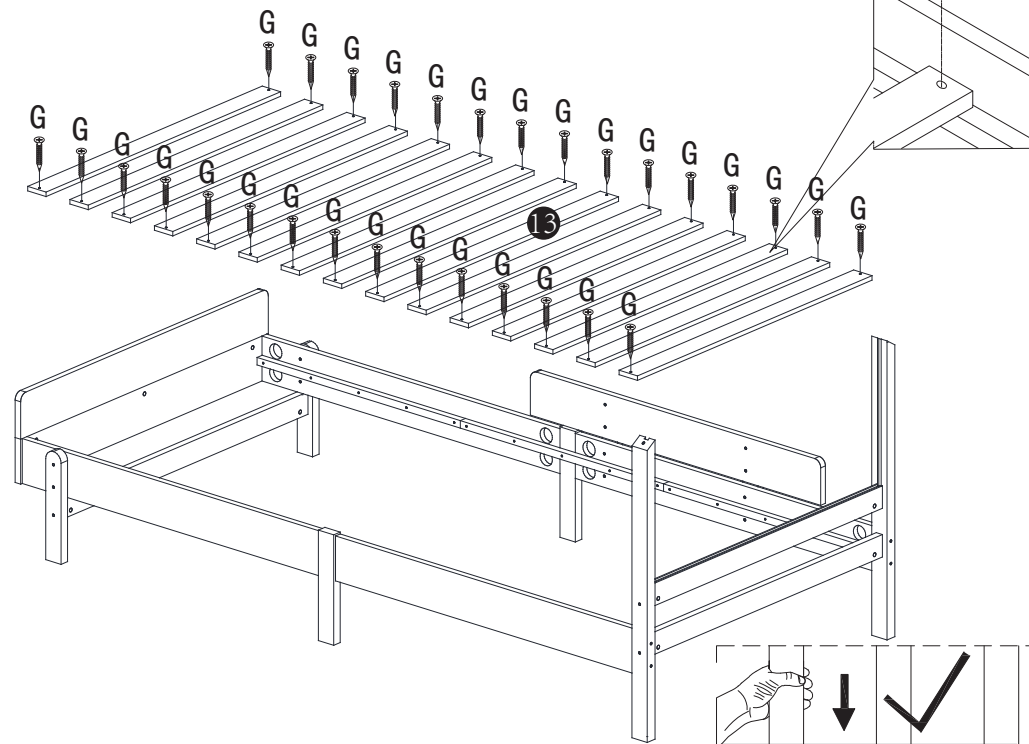




# SCHRITT11:




Version 2

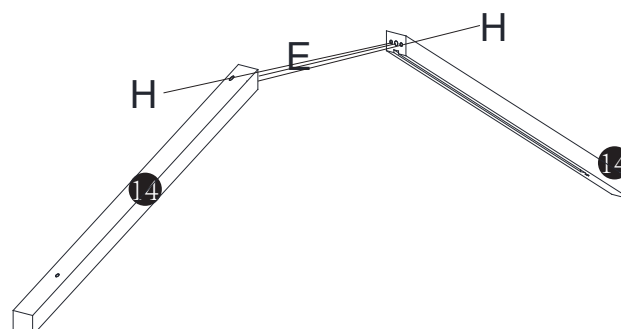
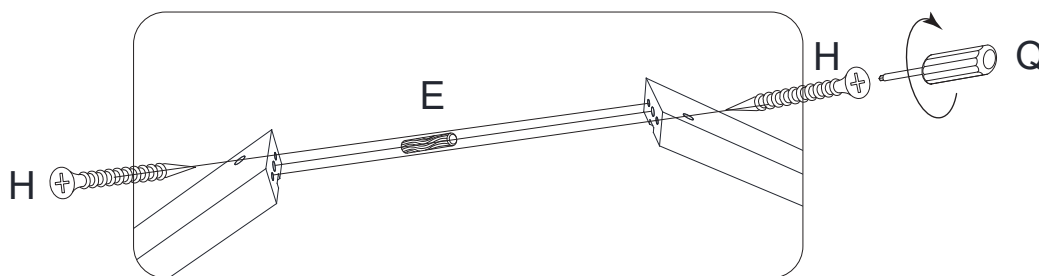
R	G
	
1PC	30PCS



# SCHRITT12:

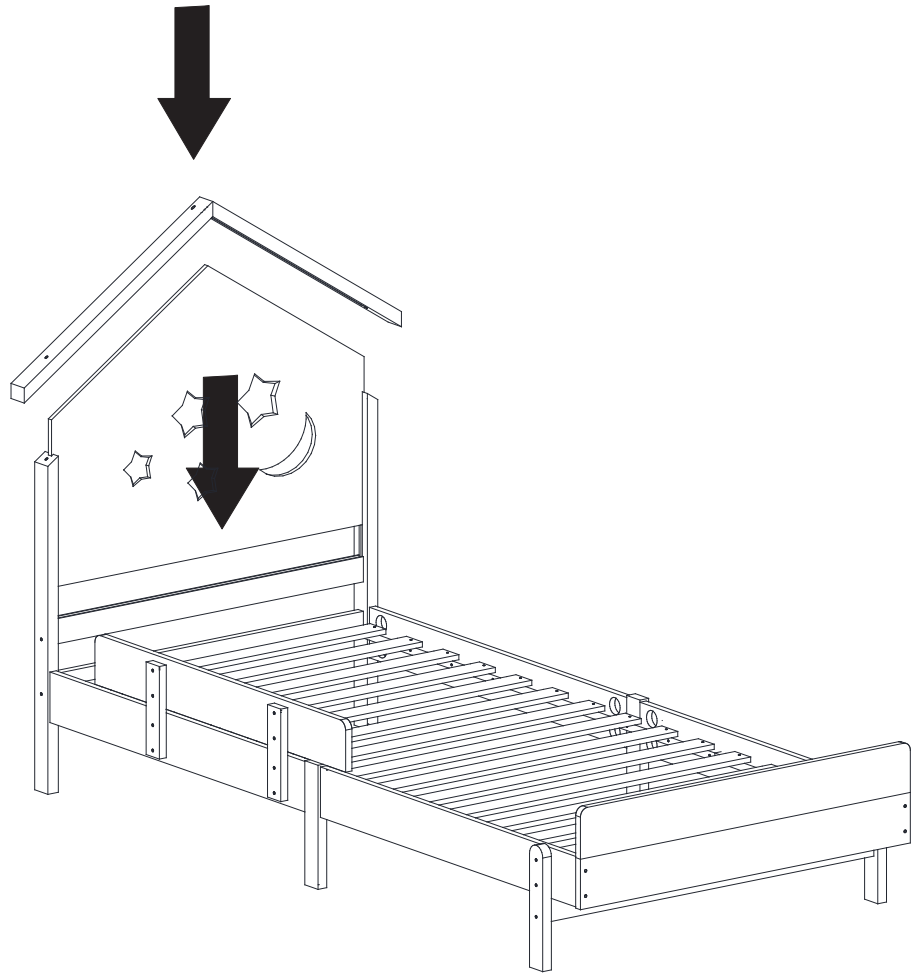
Version 2

H	E	Q
		
2PCS	1PC	1PC





# SCHRITT13:

Version 2



# SCHRITT14:

Version 2

<b>Q</b>	<b>L</b>
	
1PC	2PCS

