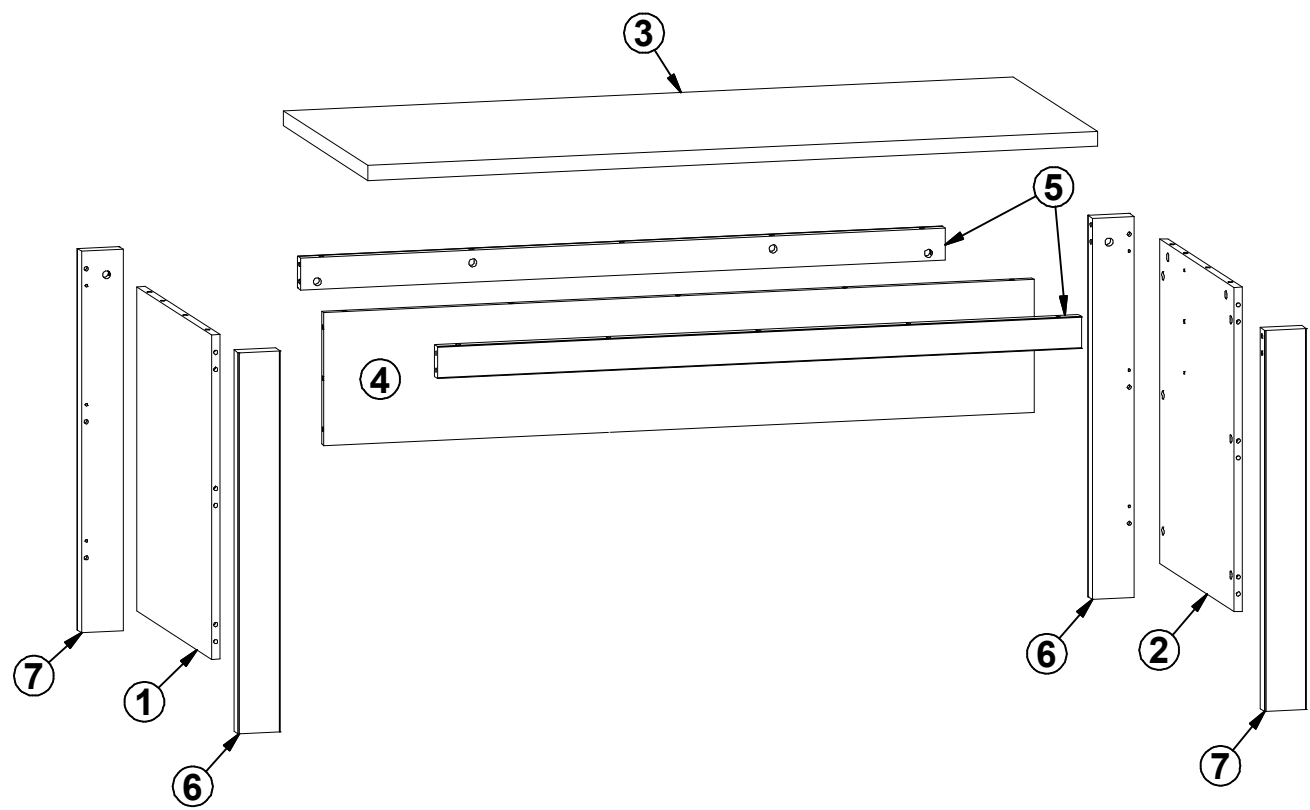
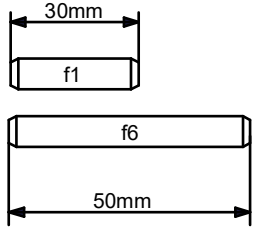
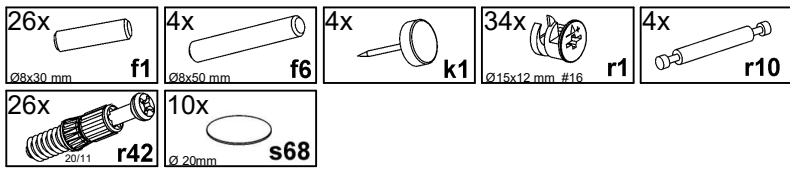
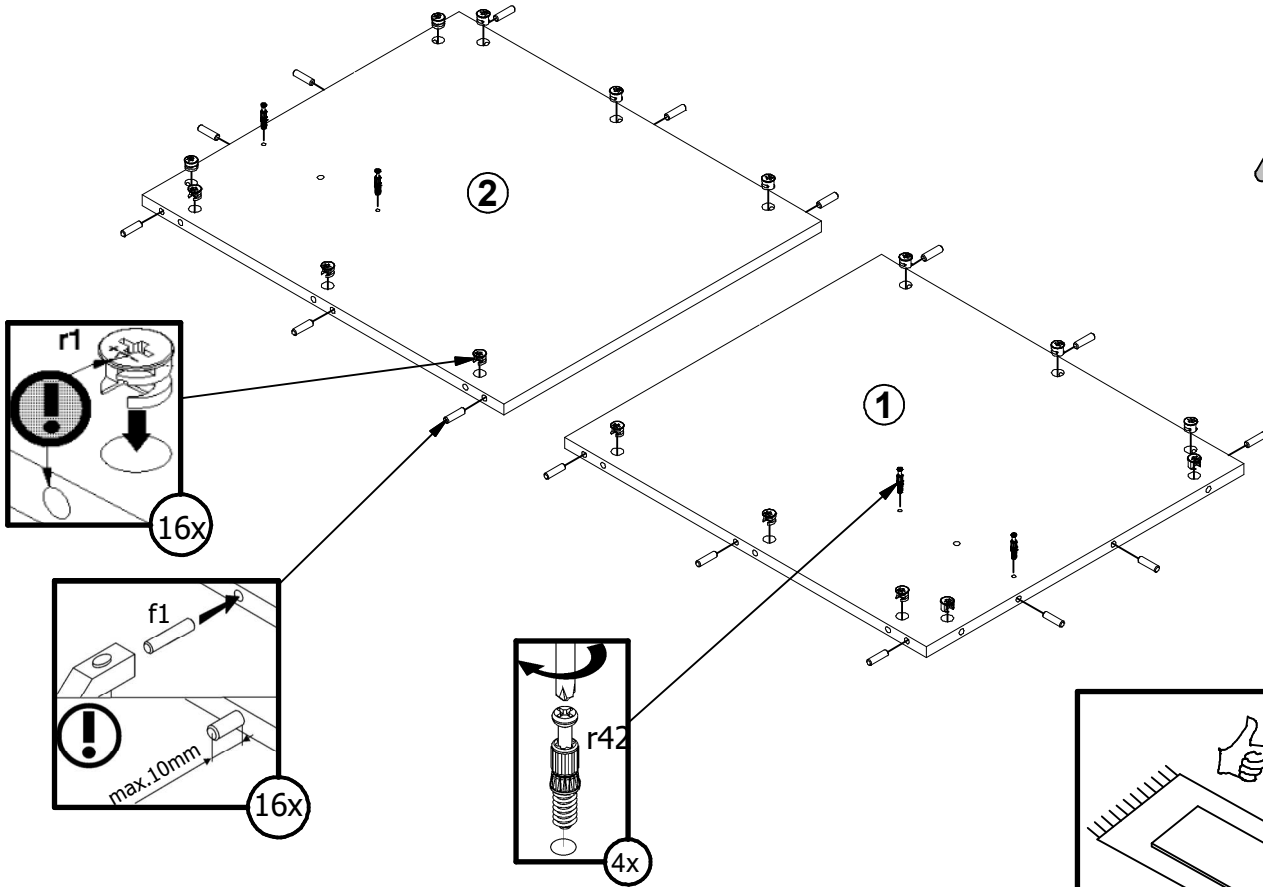


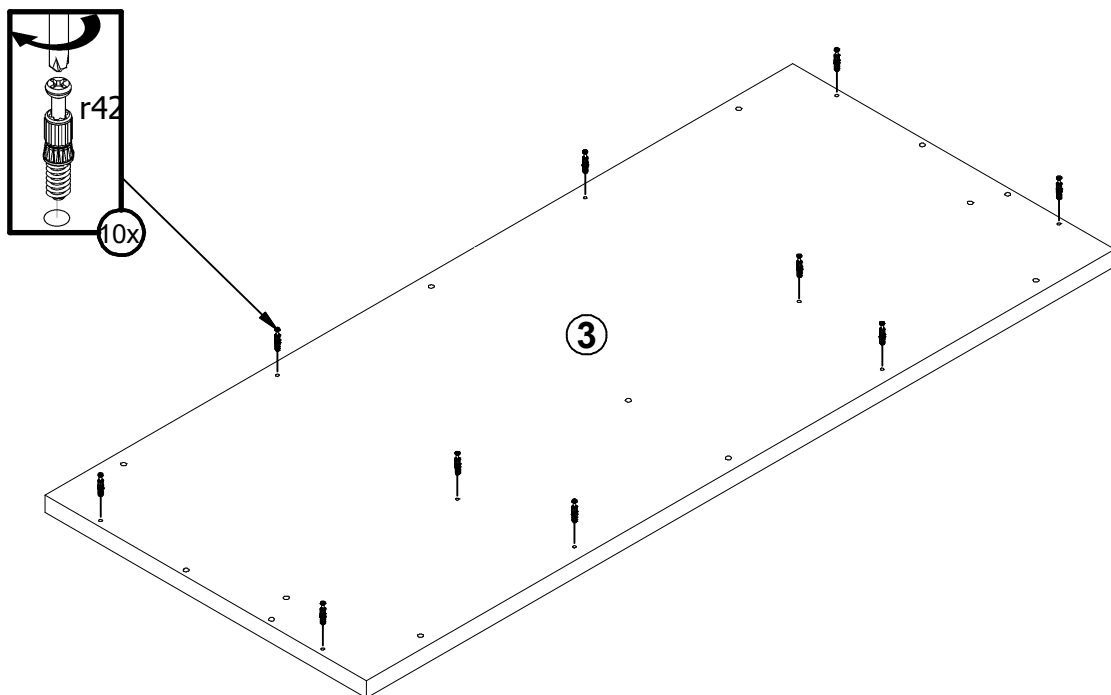
A	B	W	C1	C2	C3	D
1	S559-1017	-	610	534	16	1/1
2	S559-1018	-	610	534	16	1/1
3	S559-2006	-	1400	484	28	1/1
4	S559-4001	-	1362	250	16	1/1
5	S559-5010	-	1236	60	22	1/1
6	S559-5011	-	717	80	32	1/1
7	S559-5012	-	717	80	32	1/1



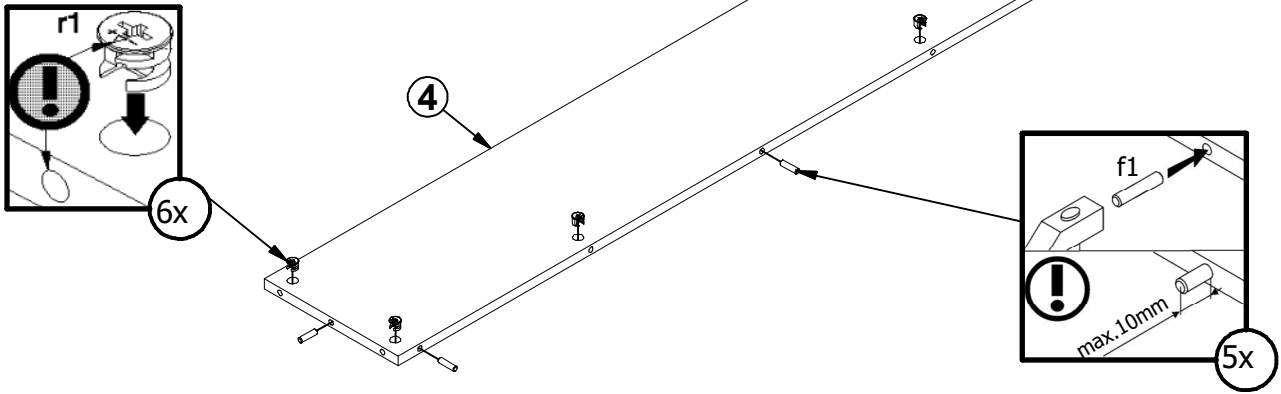
1



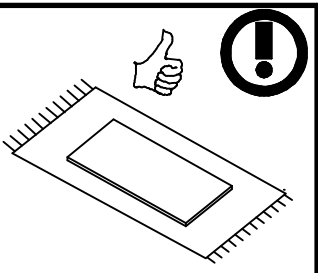
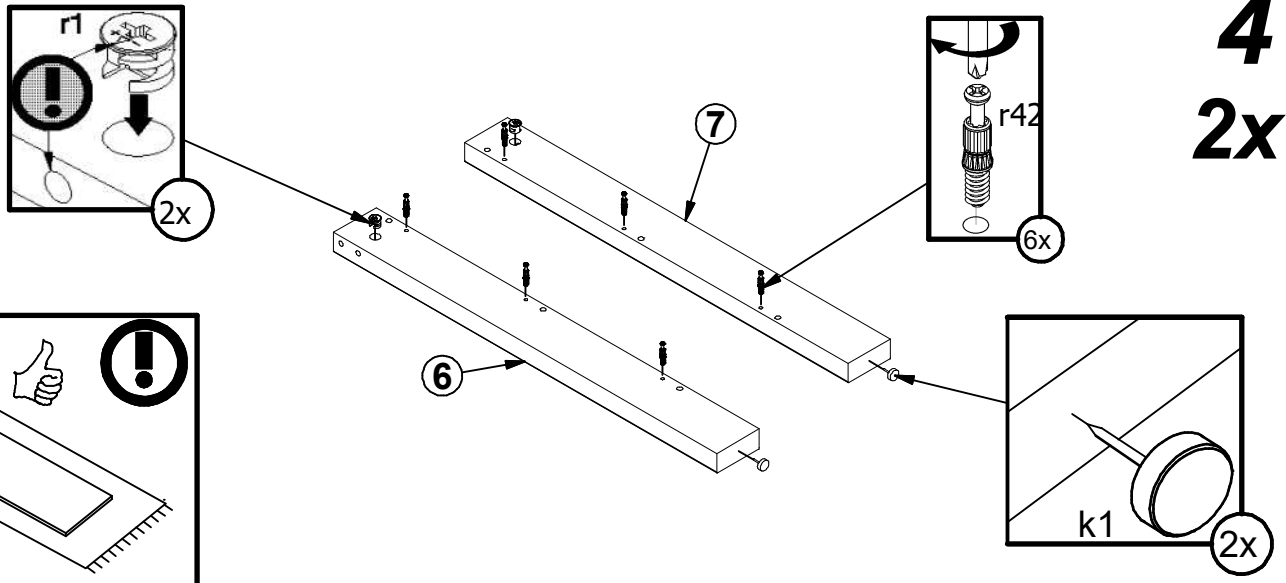
2



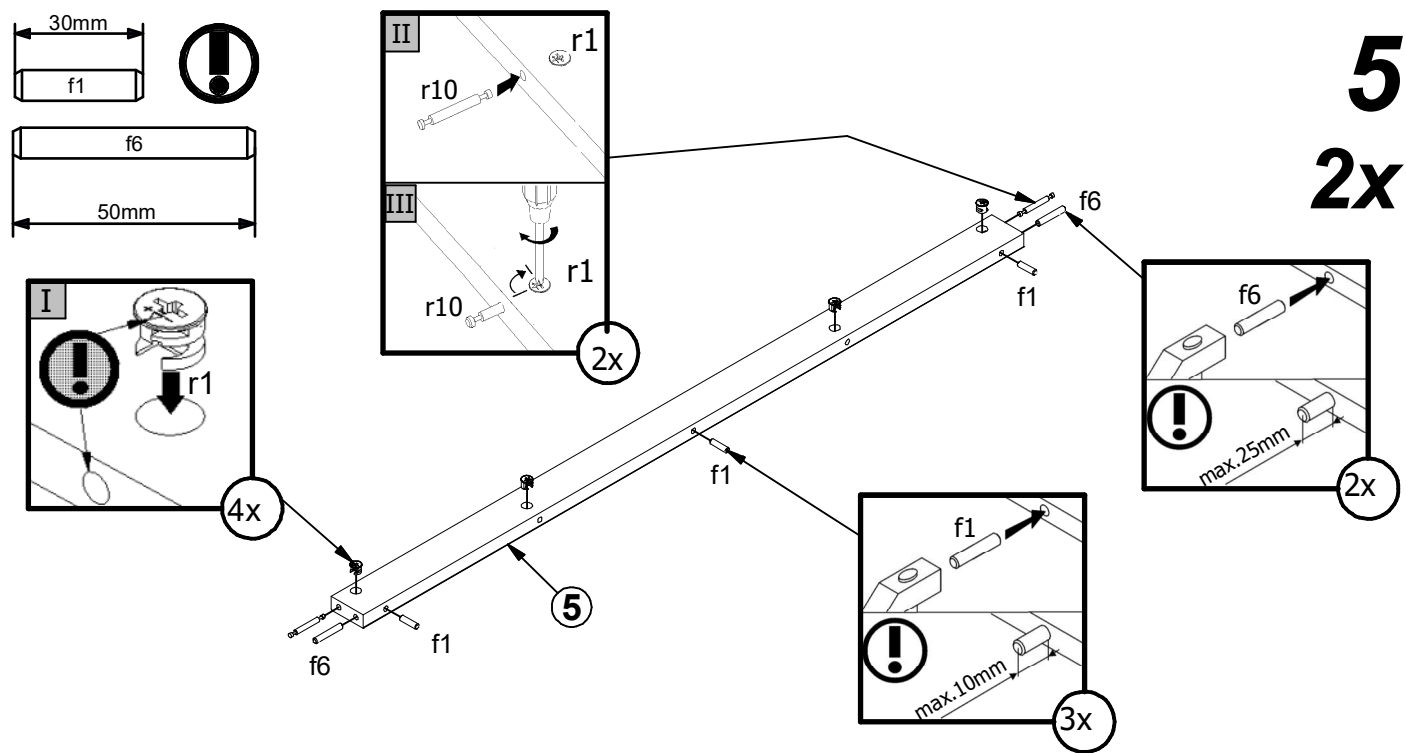
3



4
2x

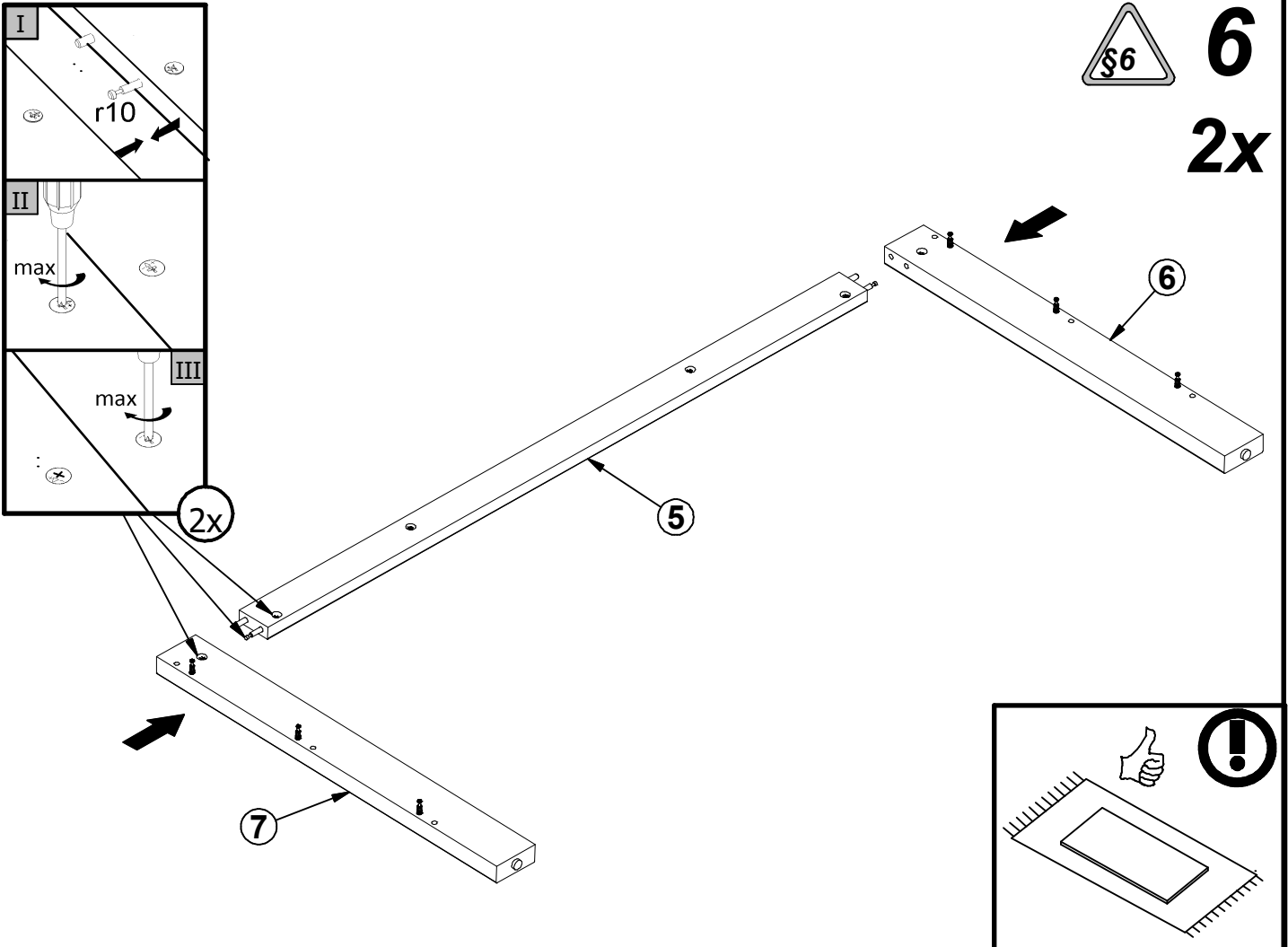


5
2x



A**S559-BIU****39-998**

5 / 7

**6**
2x**7**