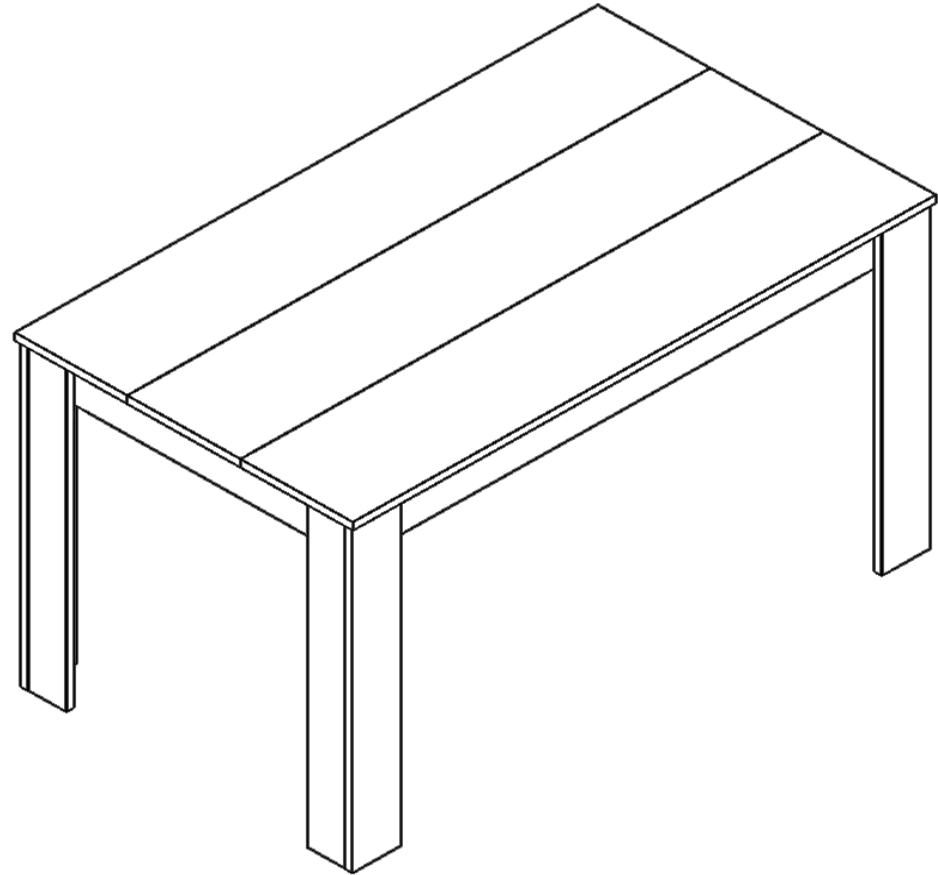




# NIK/168

Item name	
Colors 1	Light Atelier
Colors 2	Black/white
Colors 3	
Colors 4	
Colors 5	

		Finishing
Panels material 1;3;4;5;6	chipboard	Melamine
Panels material 2	chipboard	Melamine
Panels material 3		
Doors		
Handles material		
Legs material		
Mirror		
Glass		
Edges		
Soft edges		
Wall fixing fittings		
Extension		
Extension size (cm)		
Extension stored under the top		
Synchronized opening		
Top panel thickness (mm)	18	





**NIK/168**

