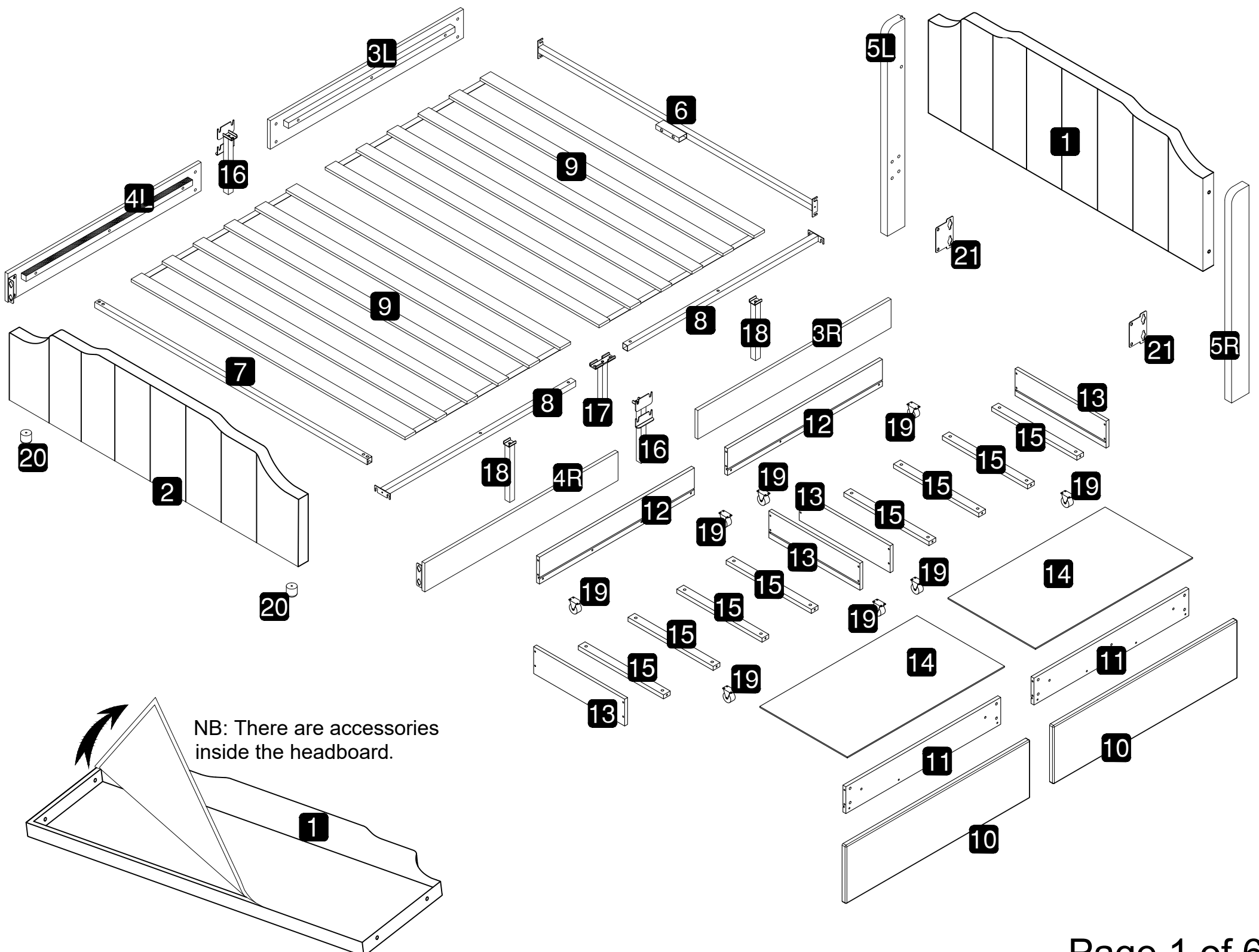
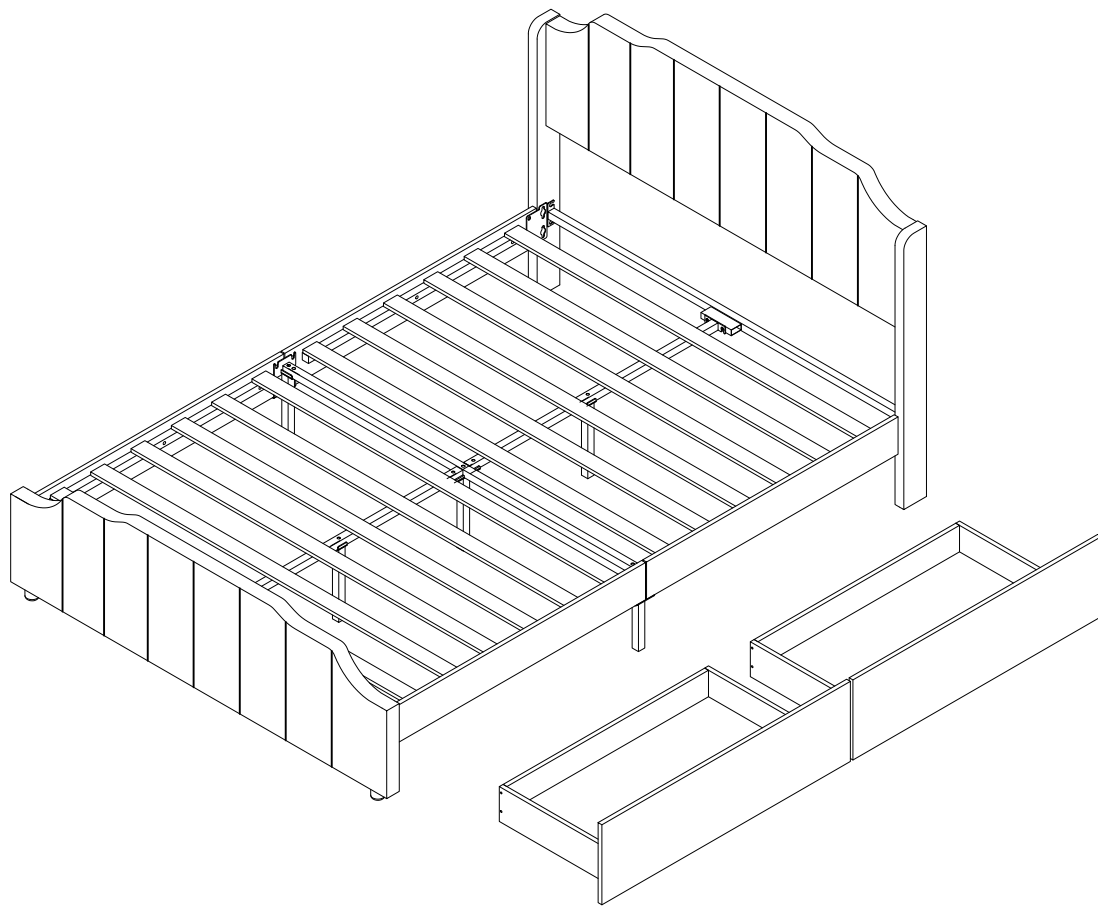


ASSEMBLY INSTRUCTION

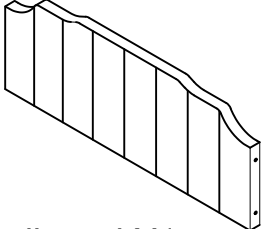
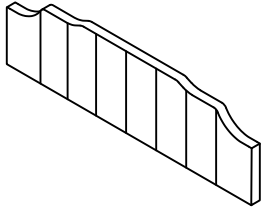
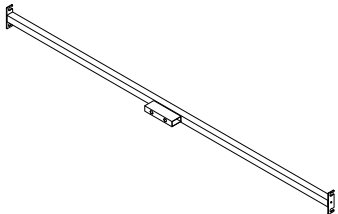
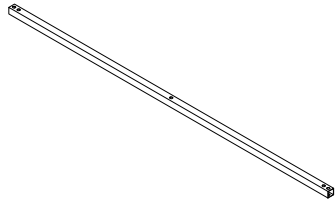
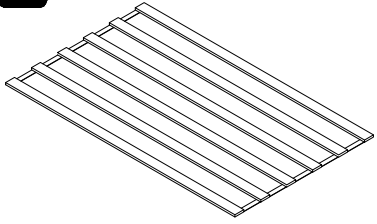
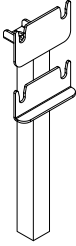
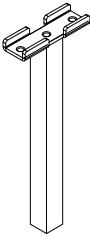

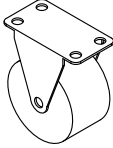
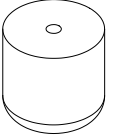
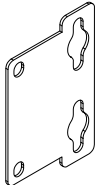
WF316614/WF316617

TIPS

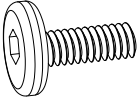
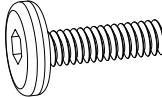
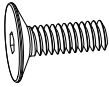
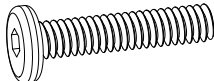

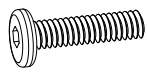

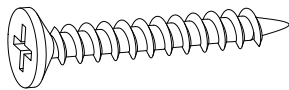
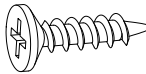
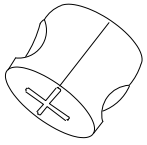

1. Please read the instructions fully before assembly. These instructions include important information which could ensure correct assembly. We have been working on providing high quality products for you. However, in the rare instance that your product is defective, missing parts or there are some issues, please don't hesitate to contact our customer service to submit parts requirements, assembly suggestion, or warranty claims, and we will give the best solution as soon as possible. If necessary, we need you to provide some more clear pictures of the issue.
2. Insert the screws in holes and tighten the screws, but not too tight, 70%~80% is ok, finally tighten all the screws. If some issues happened that some screws can not target to the hole or some parts are difficult to install, please adjust the tightness of the screws.
3. 2 people are recommended to finish.



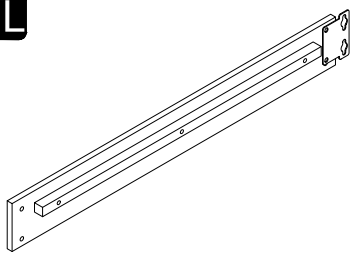
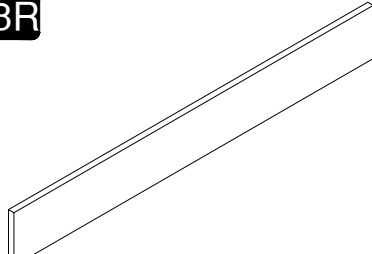
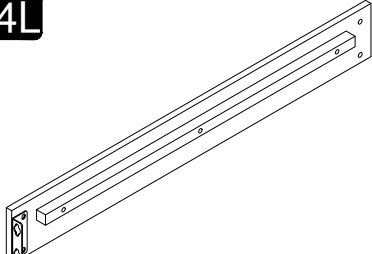
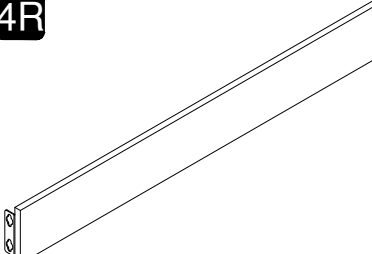
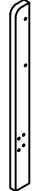

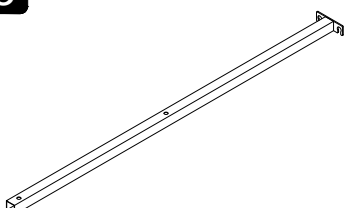
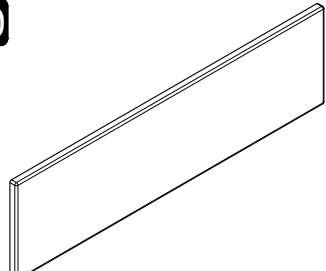
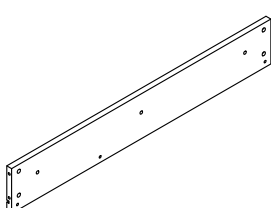
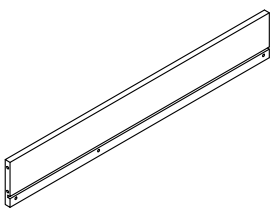
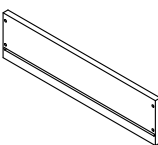
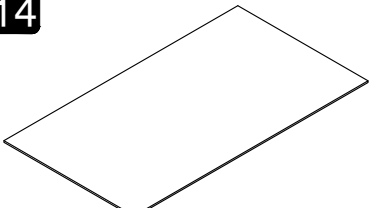
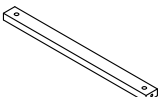
Part List WF316614

| | | | | |
|--|---|---|---|---|
| <p>1</p>  <p>Headboard X1</p> | <p>2</p>  <p>Footboard X1</p> | <p>6</p>  <p>Head board cross bar X1</p> | <p>7</p>  <p>Cross bar X1</p> | <p>9</p>  <p>Slats X2</p> |
| <p>16</p>  <p>Side rails support legs X2</p> | <p>17</p>  <p>Legs X1</p> | <p>18</p>  <p>Legs X2</p> | <p>19</p>  <p>Wheel X8</p> | <p>20</p>  <p>Legs X2</p> |
| <p>16</p>  <p>Iron Sheet X2</p> | | | | |

Hardware List WF316614


| | | | | |
|---|--|---|--|--|
| <p>A</p>  <p>Bolts(M8x16mm) X12</p> | <p>B</p>  <p>Bolts(M8x20mm) X8</p> | <p>C</p>  <p>Bolts(M8x25mm) X8</p> | <p>D</p>  <p>Bolts(M8x40mm) X13</p> | <p>E</p>  <p>Bolts(M6x40mm) X2</p> |
| <p>F</p>  <p>Bolts(M6x30mm) X6</p> | <p>G</p>  <p>Flat Washer X13</p> | <p>H</p>  <p>Screw(5.0x50mm) X32</p> | <p>J</p>  <p>Screw(4.0x20mm) X32</p> | <p>K</p>  <p>Nut X32</p> |
| <p>L</p>  <p>Allen Key X1</p> | | | | |


Part List WF316617


| | | | | |
|--|--|--|--|--|
| <p>3L</p>  <p>Side Rails (LH) X1</p> | <p>3R</p>  <p>Side Rails (RH) X1</p> | <p>4L</p>  <p>Side Rails (LH) X1</p> | <p>4R</p>  <p>Side Rails (RH) X1</p> | <p>5L</p>  <p>Headboard wing leg (LH) X1</p> |
| <p>5R</p>  <p>Headboard wing leg (RH) X1</p> | <p>8</p>  <p>Center support bar X2</p> | <p>10</p>  <p>Lower bed face plate X2</p> | <p>11</p>  <p>Drawer board X2</p> | <p>12</p>  <p>Drawer board X2</p> |
| <p>13</p>  <p>Drawer board X4</p> | <p>14</p>  <p>Drawer board X2</p> | <p>15</p>  <p>Drawer board X8</p> | | |


Attention: Do not tighten the screws before completing the entire installation. If you have any difficulty with the installation process, please feel free to contact us.

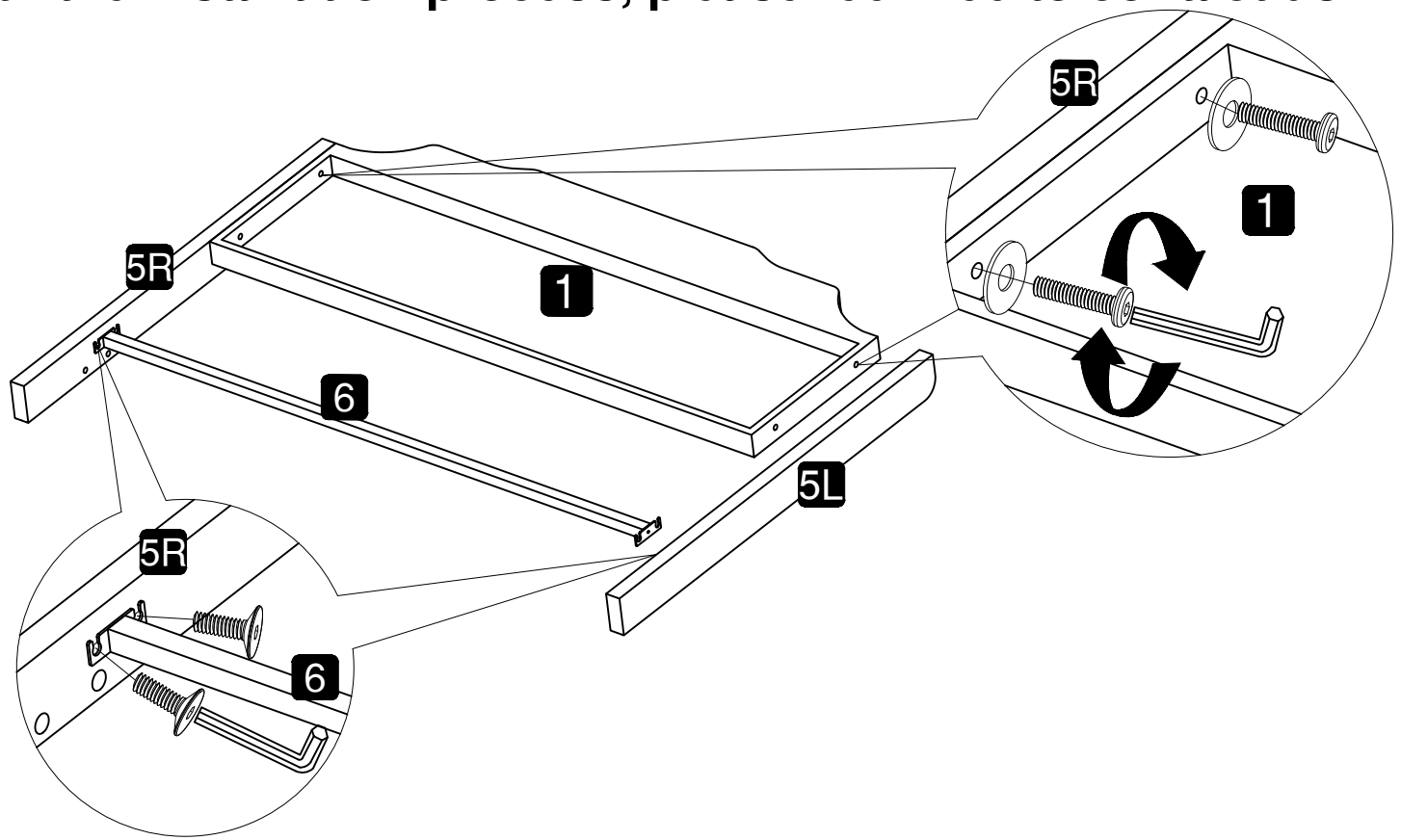
Step 1

- C**  ×4


- D**  ×4


- G**  ×4

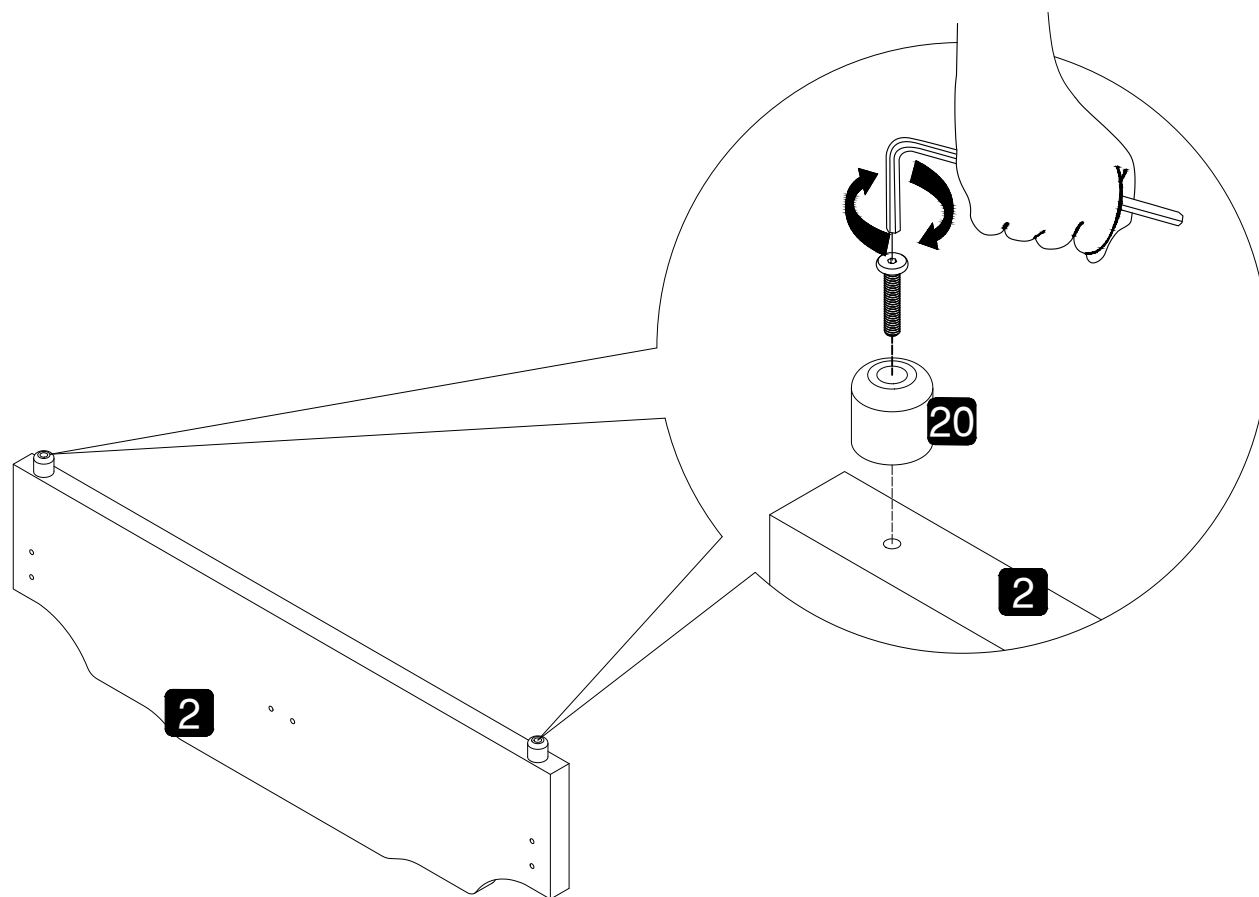
- L**  ×1



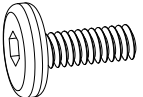
Step 2


- E**  ×2

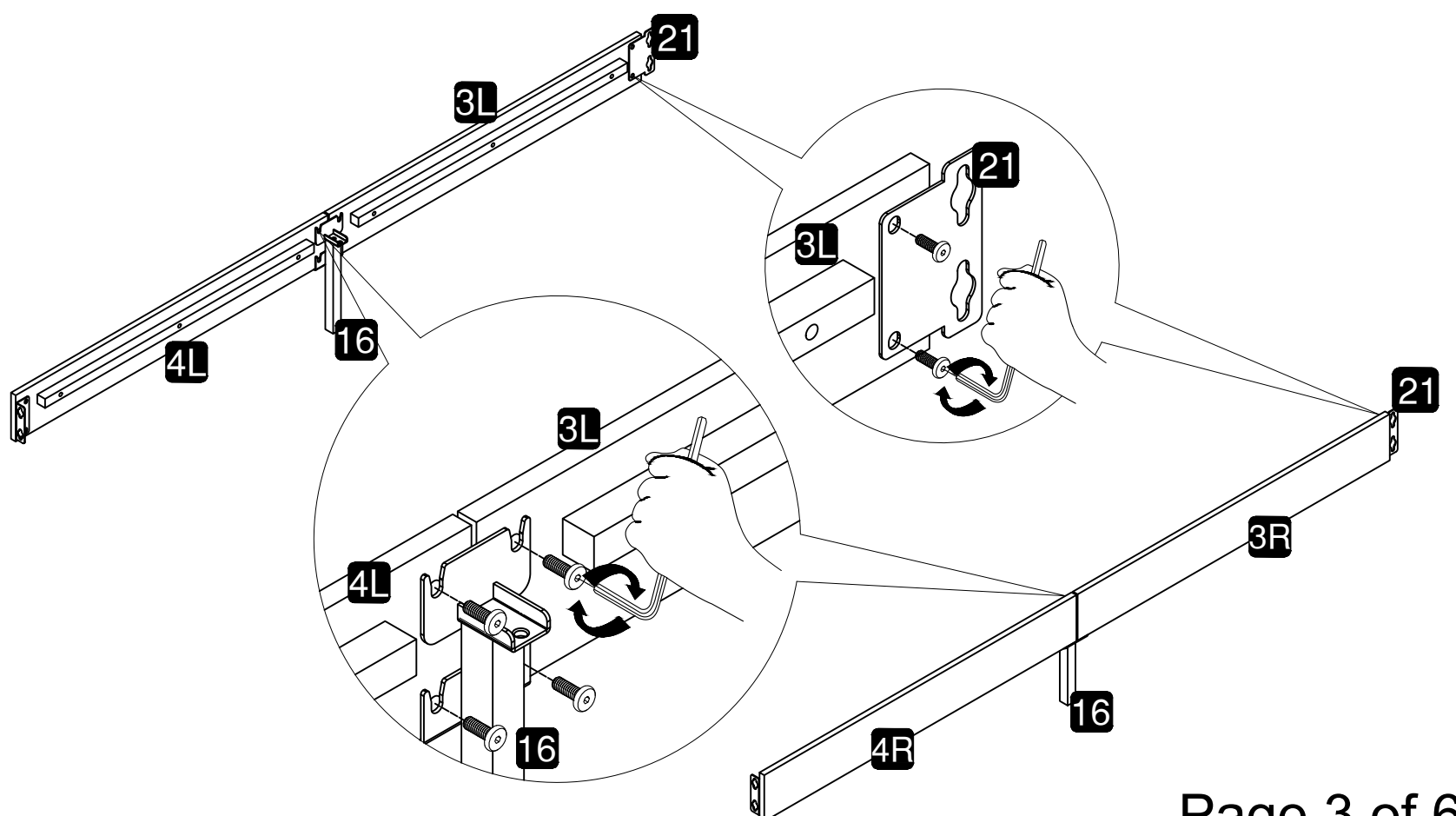
- L**  ×1



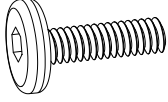
Step 3

- A**  ×12

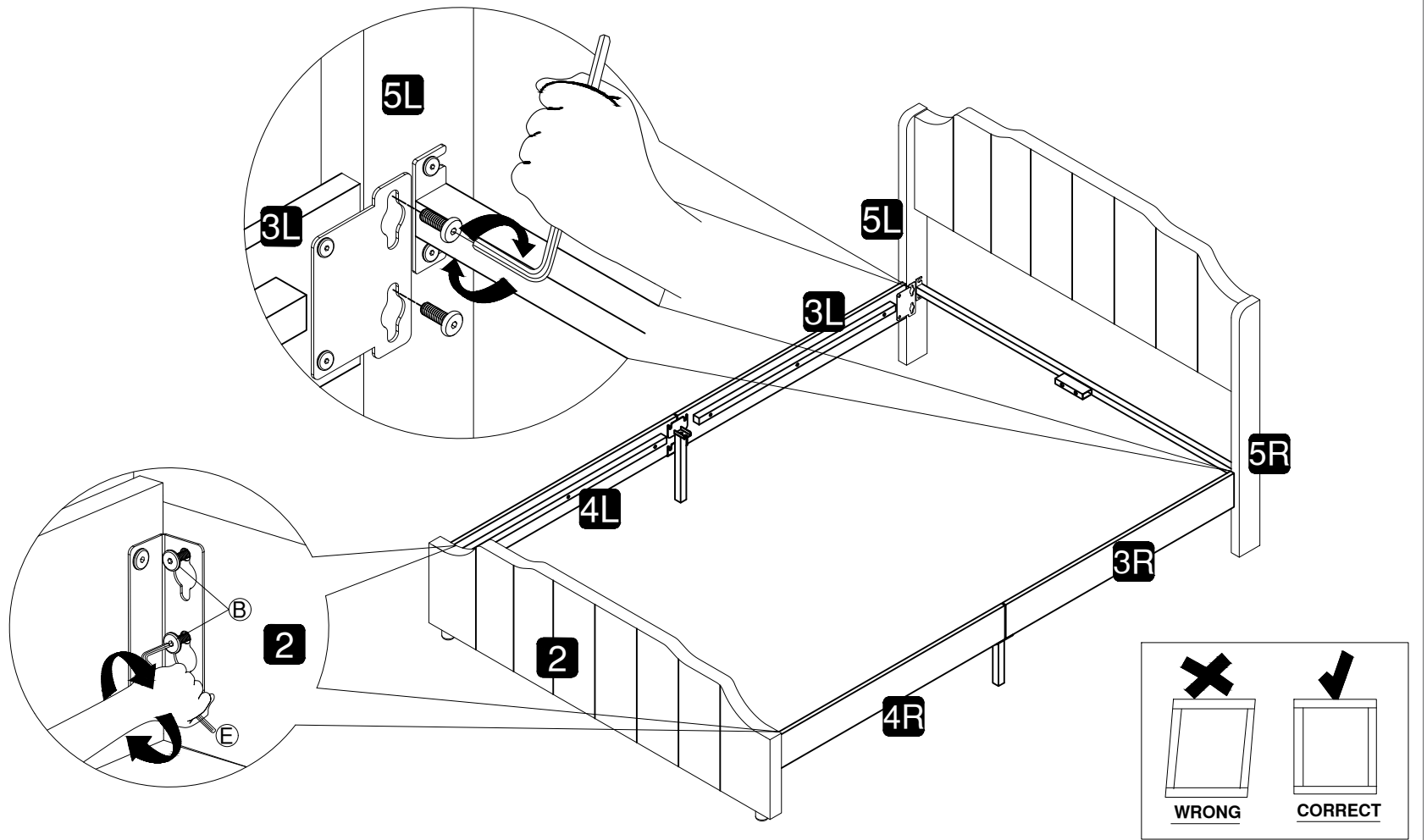
- L**  ×1



Step 4

(B)  x8

(L)  x1

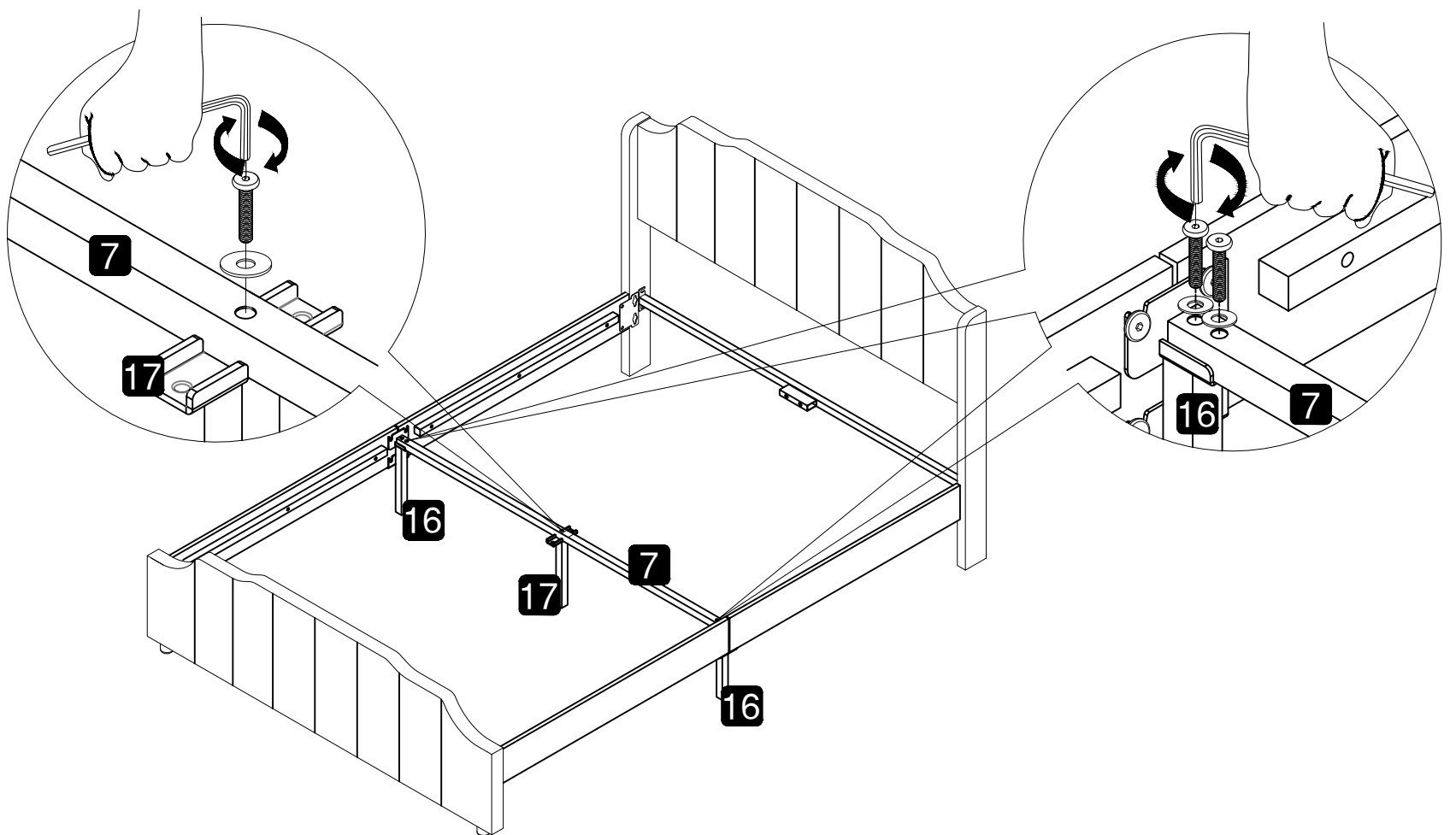


Step 5

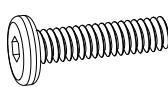
(D)  x5

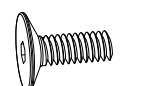
(G)  x5

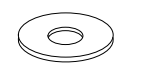
(L)  x1



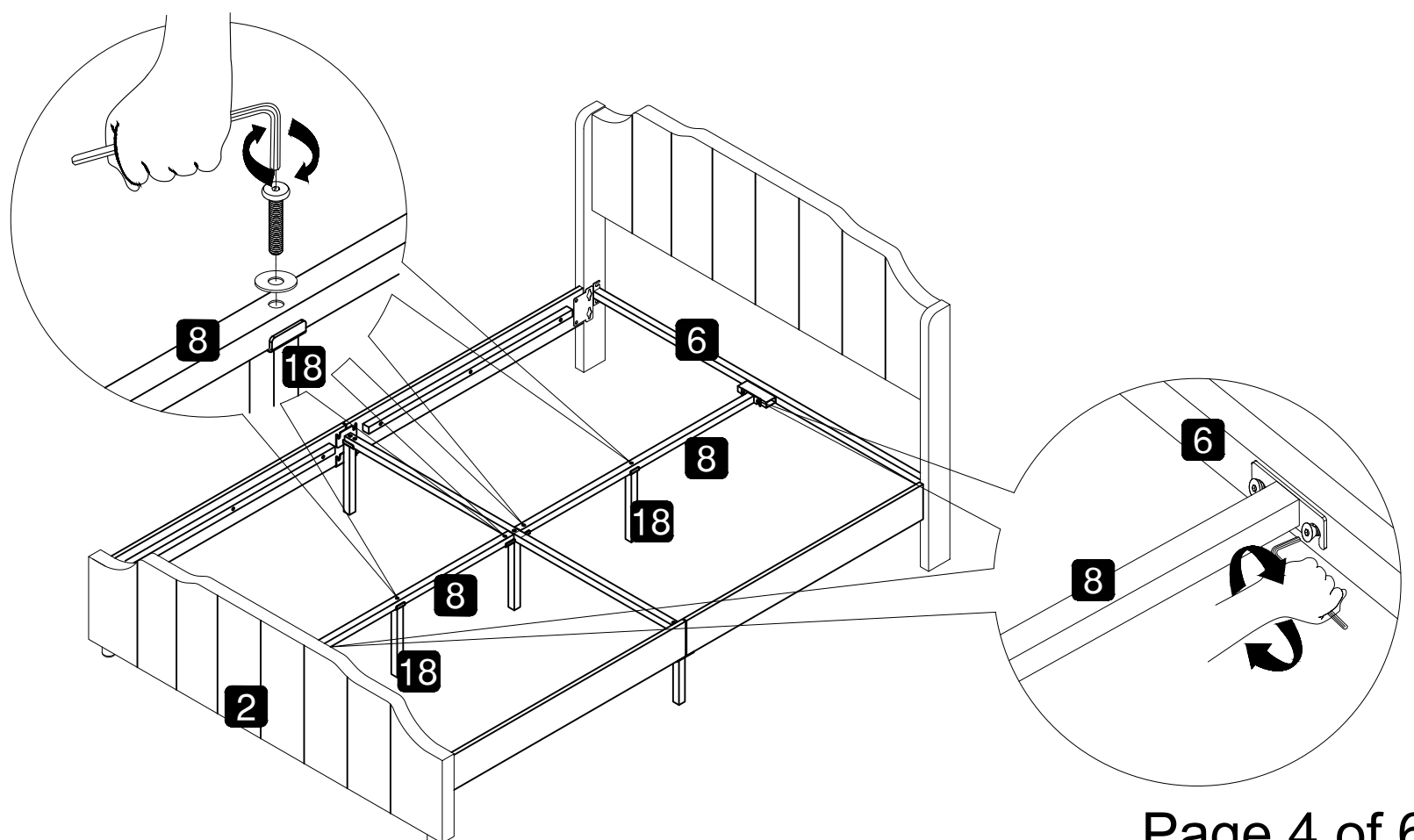
Step 6

(D)  x4

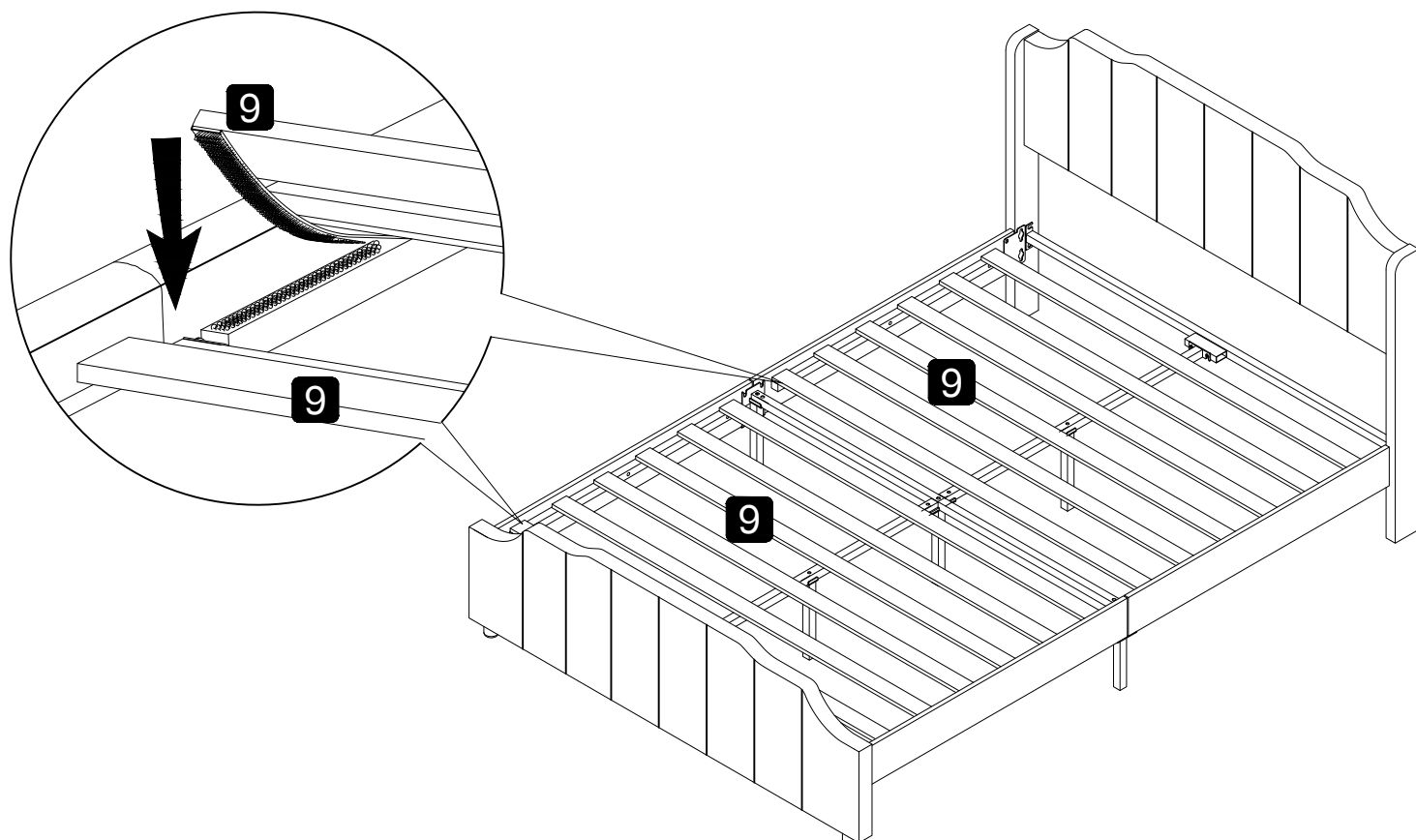
(C)  x4

(G)  x4

(L)  x1



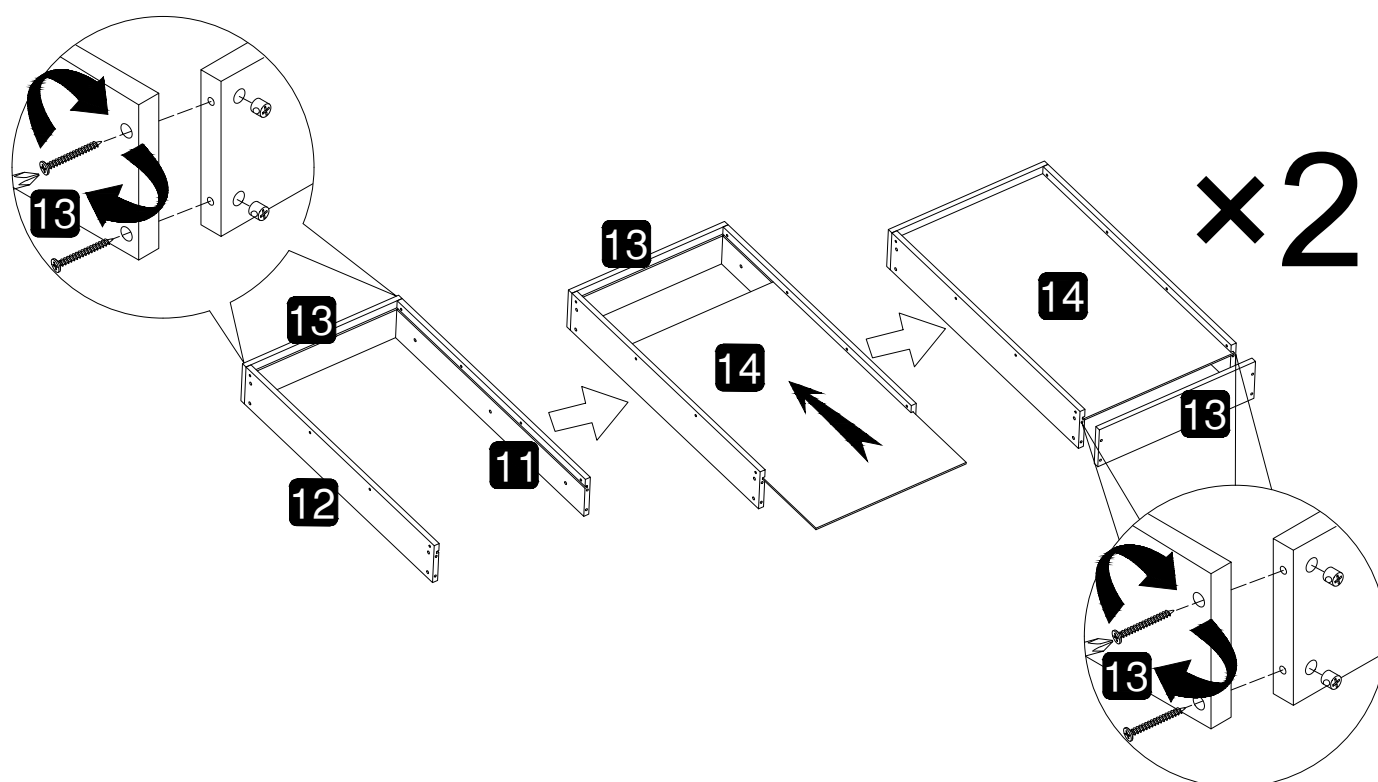
Step 7



Step 8


(H)  ×16

(K)  ×16

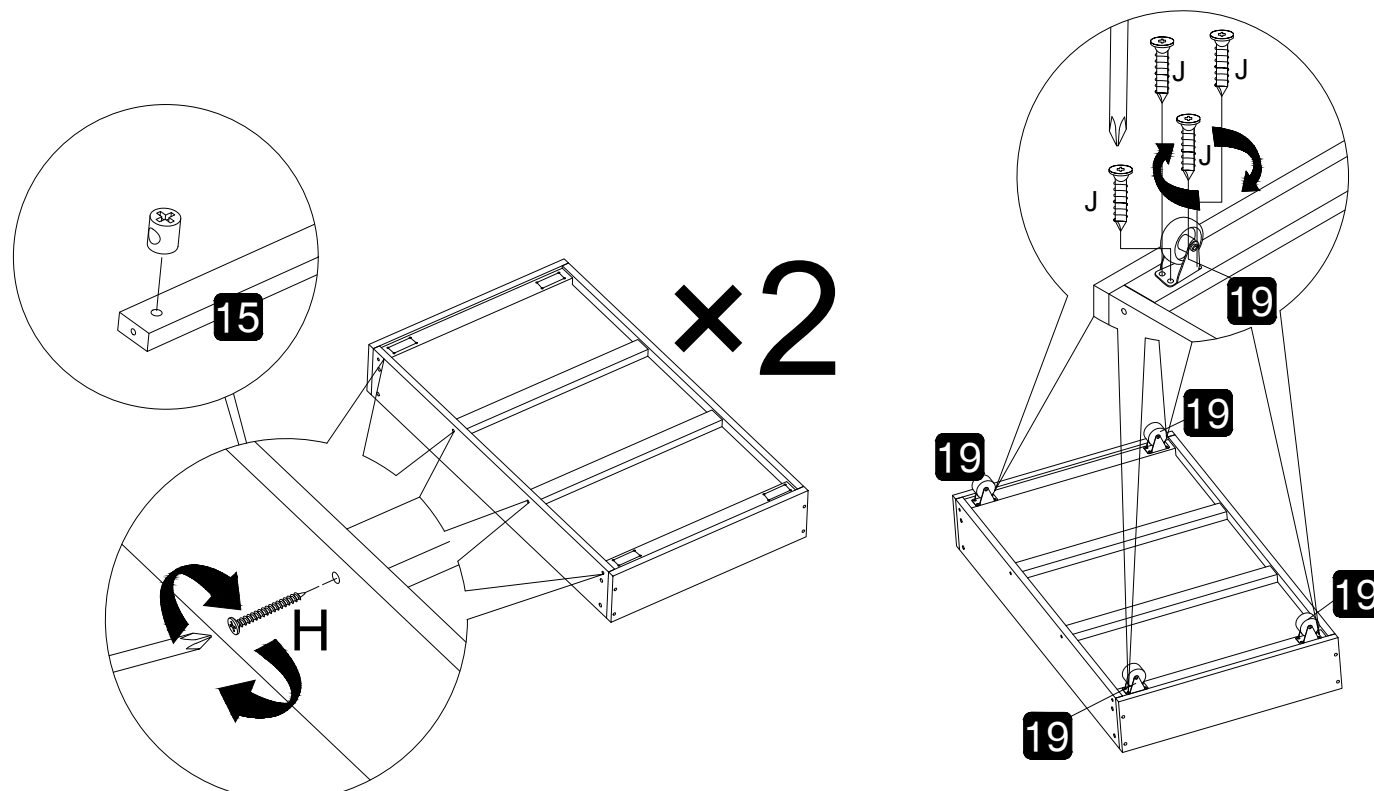


Step 9

(H)  ×16

(J)  ×32

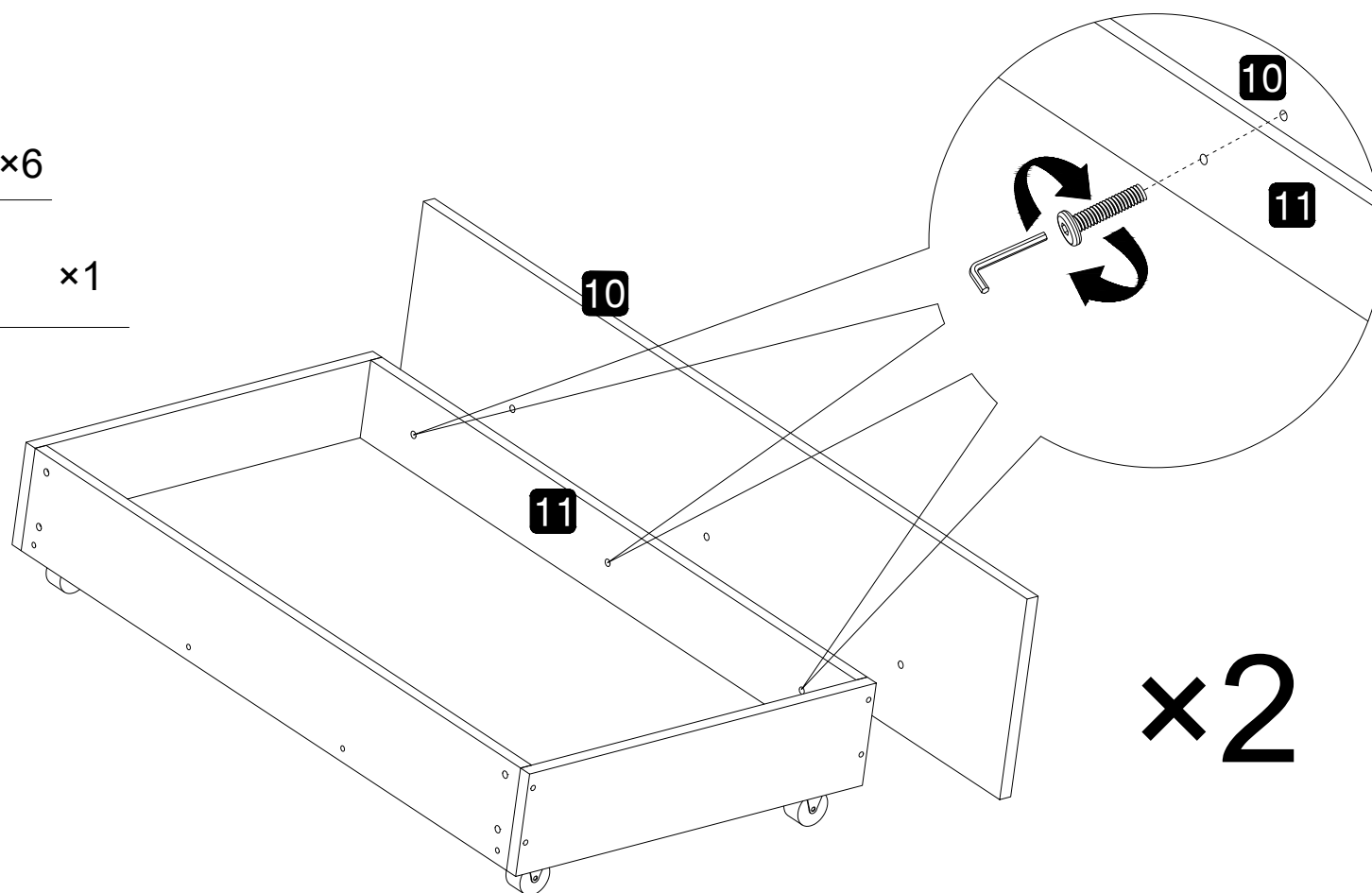
(K)  ×16



Step 10

(F)  x6

(L)  x1



Step 11

