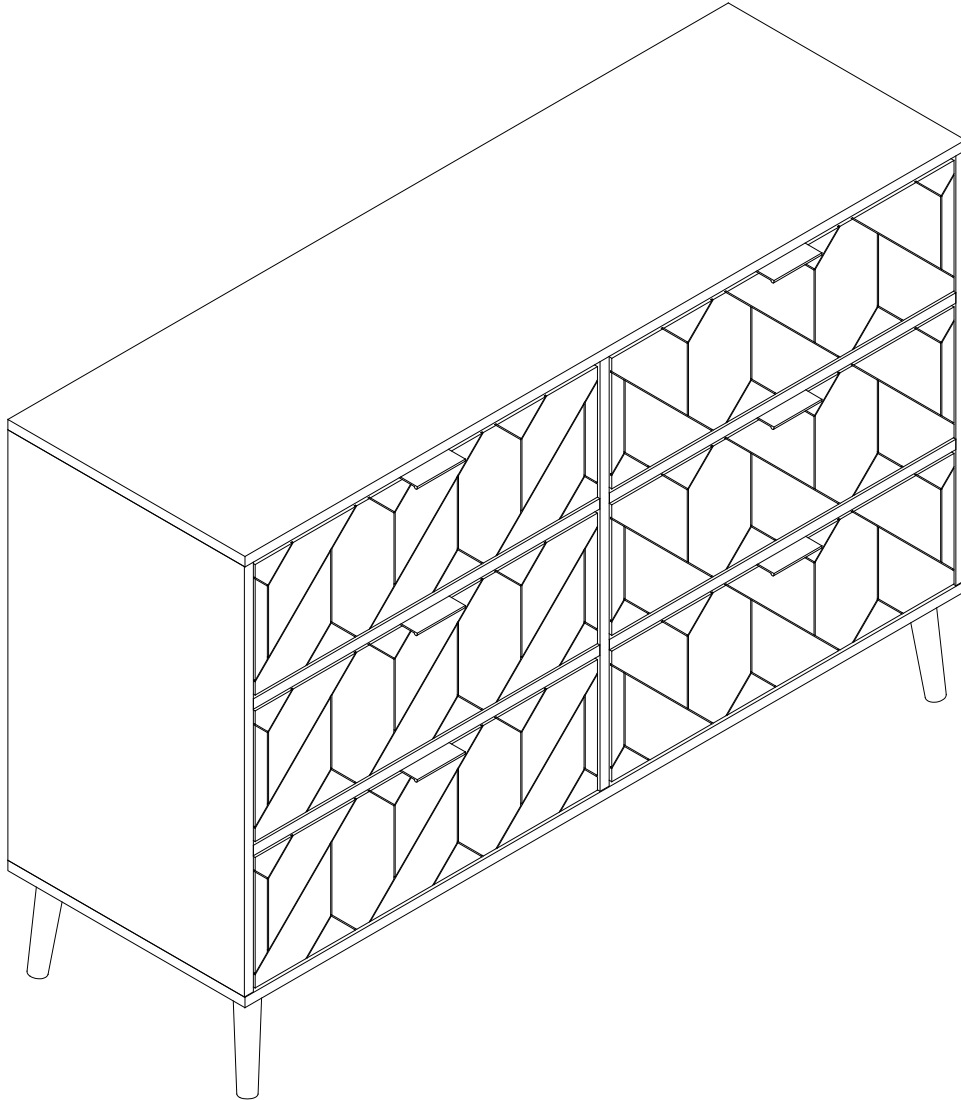


Installation Instruction



Product name

6 Drawer Cabinet

Ver.1.0 20220831

Assembling

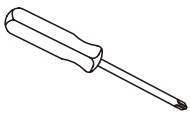
Estimated time for assembly



45 : 00

What you need

- Use the packaging carton as a working surface to prevent product damage during assembly
- Phillips head screwdriver



Weight Limitation



44 | **11**
lbs table top | lbs per drawer

What's included

Code	Description	Qty
A	Cam Bolt M6X35MM	42
B	Cam Lock 15X10MM	43
C	Screw M4X35MM	44
D	Screw M3.5X12MM	72
E	Screw M4X14MM	34
F	Screw M4X40MM	2
G	Cam Bolt M6X60MM	1
H	Hammer Nut	1
I	Handle	6
J	Wooden Dowel M6X30MM	18
K	Wooden Dowel M6X50MM	3
L	Nylon Strap	2
M	Anchor	2
N	Slide Sets	6
O	Plastic corner support	8
P	Screw M3X14MM	8
Q	Metal Pin Hinge	4

The Hardwares



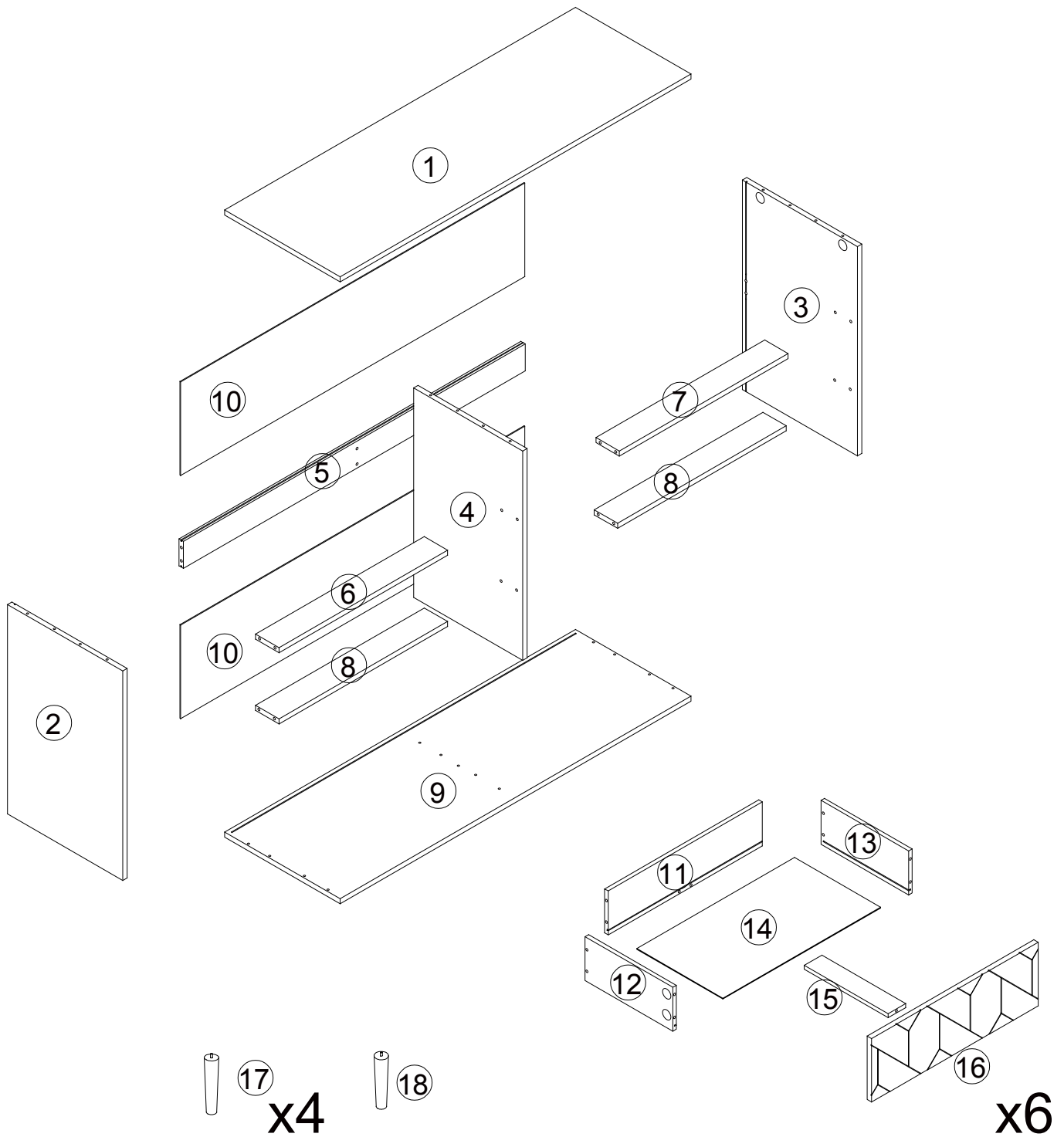
IMPORTANT:

1. Do not tighten bolts / screws completely until all bolts / screws are lined up and inserted into holes.
2. Do not over tighten screws and bolts to avoid stripping.
3. Please use hand tools to assemble this product. Do not use power tools.

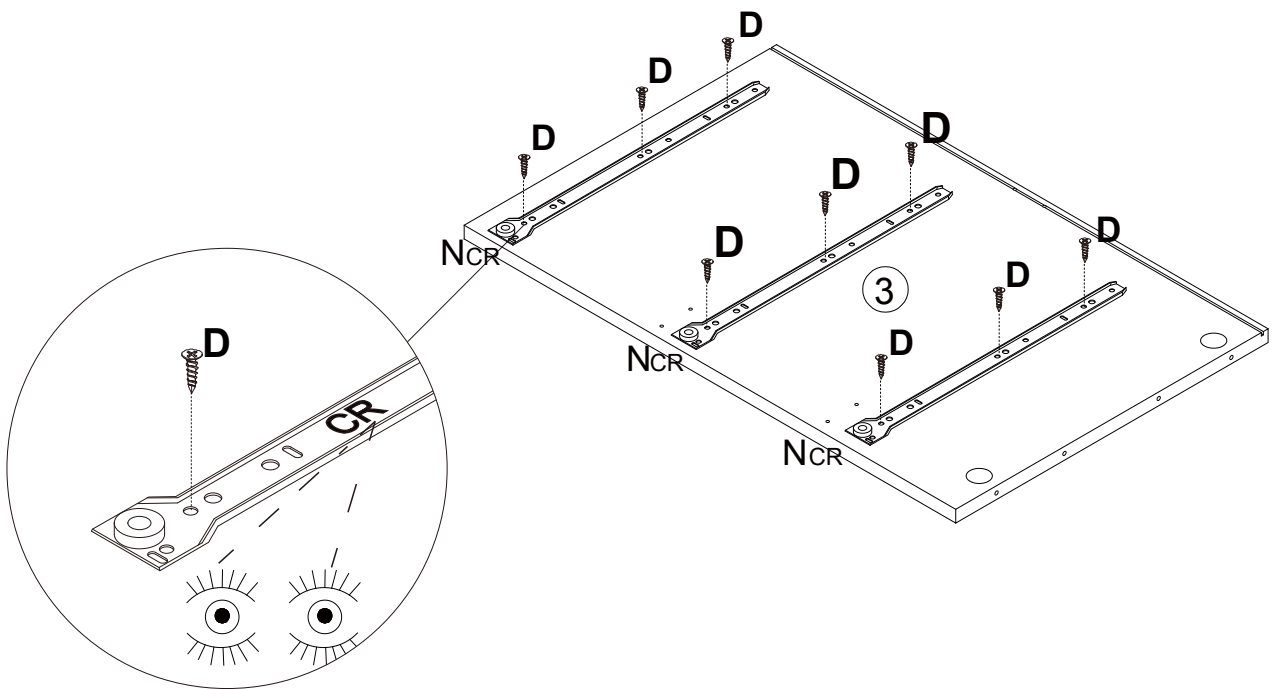
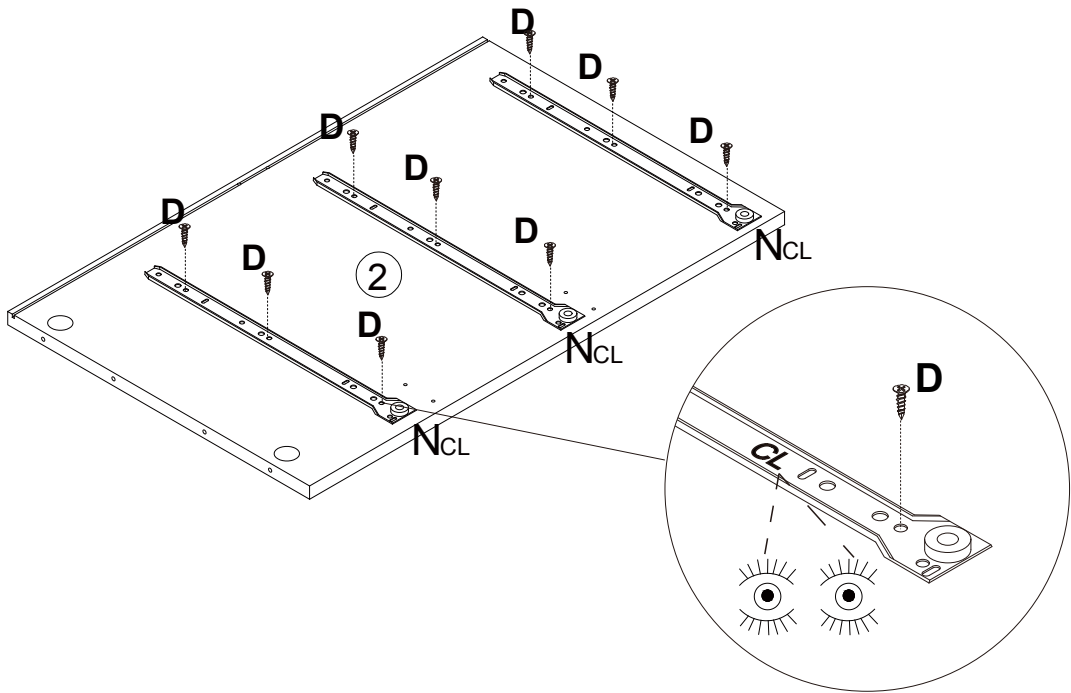
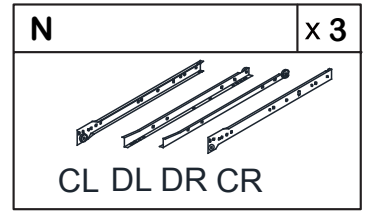
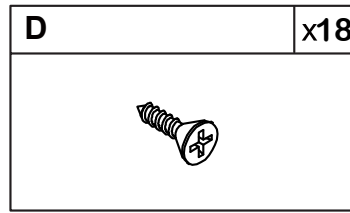
Included Accessories

Code	Description	Qty
1	Cabinet Top	1
2	Left Side Panel	1
3	Right Side Panel	1
4	Intermediate Vertical Panel	1
5	Back Stretcher	1
6	Left Side Upper Support Panel	1
7	Right Side Upper Support Panel	1
8	Down Support Panel	2
9	Bottom Panel	1
10	Back Panel	2
11	Drawer Back Panel	6
12	Drawer Left Side Panel	6
13	Drawer Right Side Panel	6
14	Drawer Bottom Panel	6
15	Drawer Intermediate Support Panel	6
16	Drawer Front Panel	6
17	FEET	4
18	FEET	1

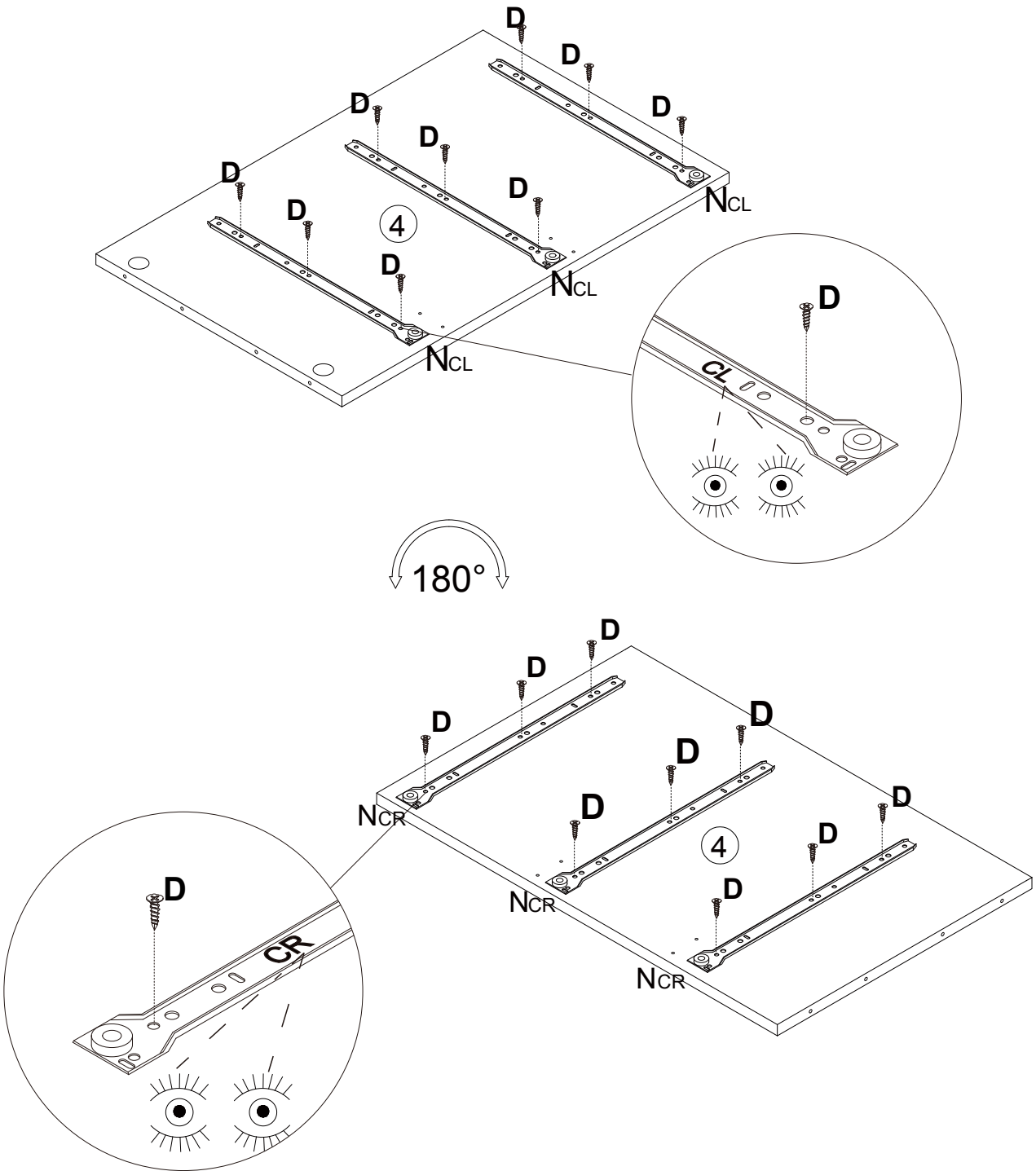
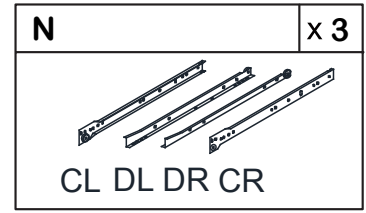
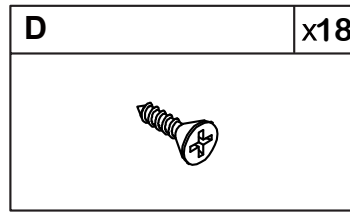
The Accessoriess



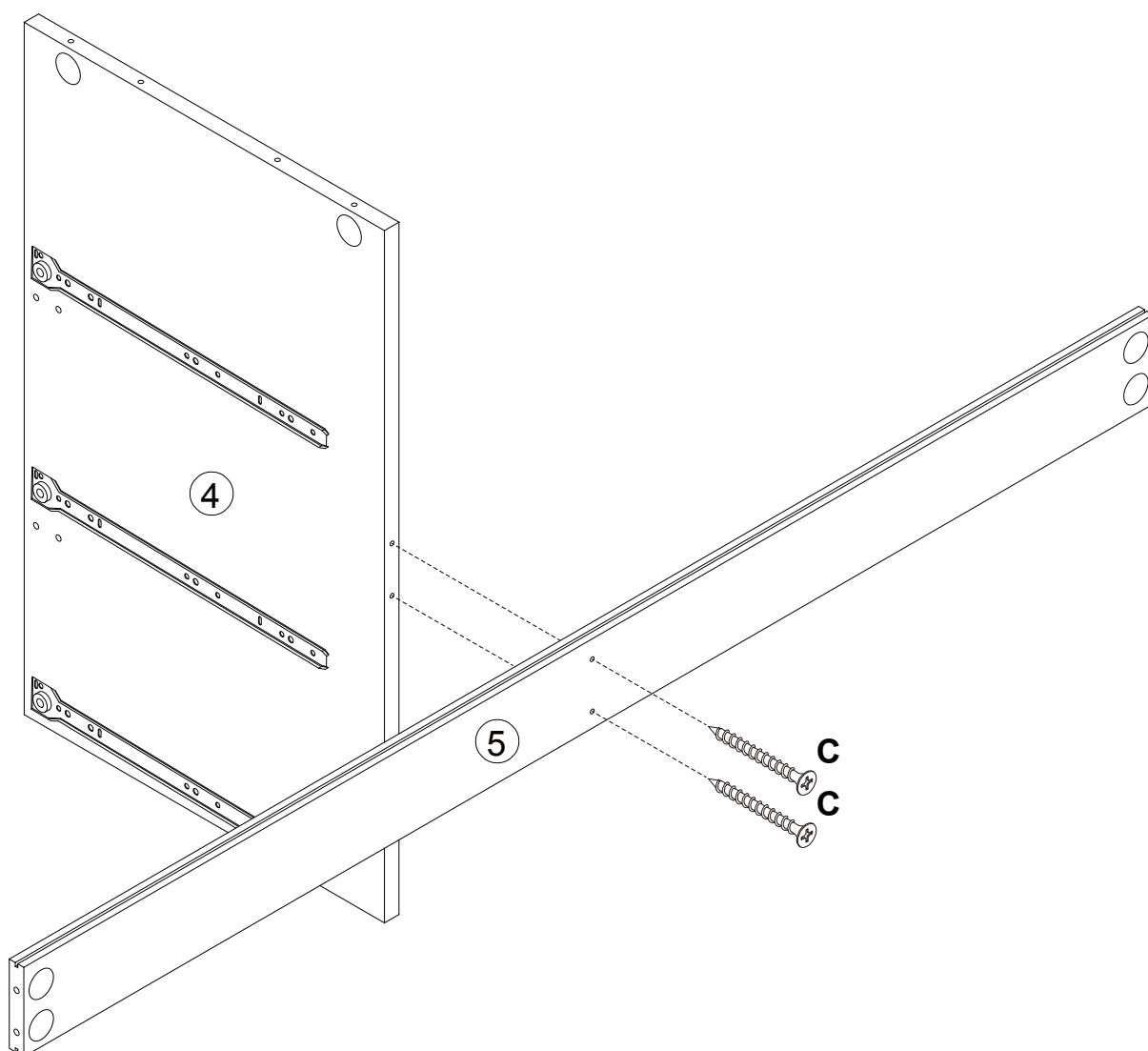
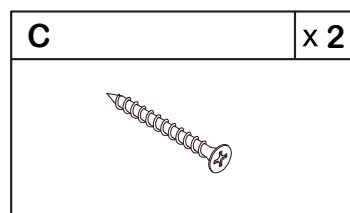
Step 1



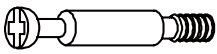

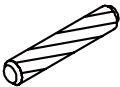
Step 2

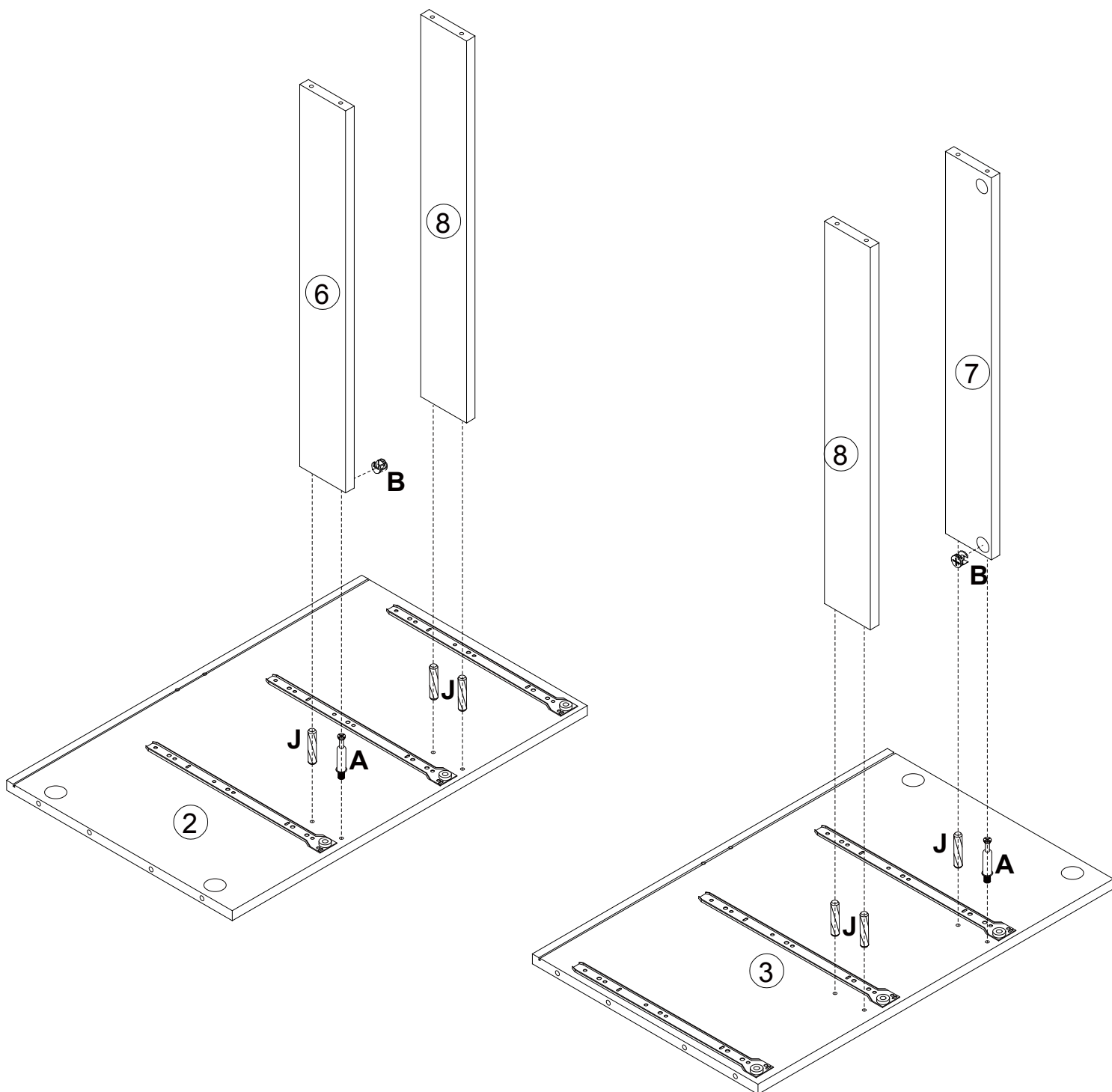


Step 3

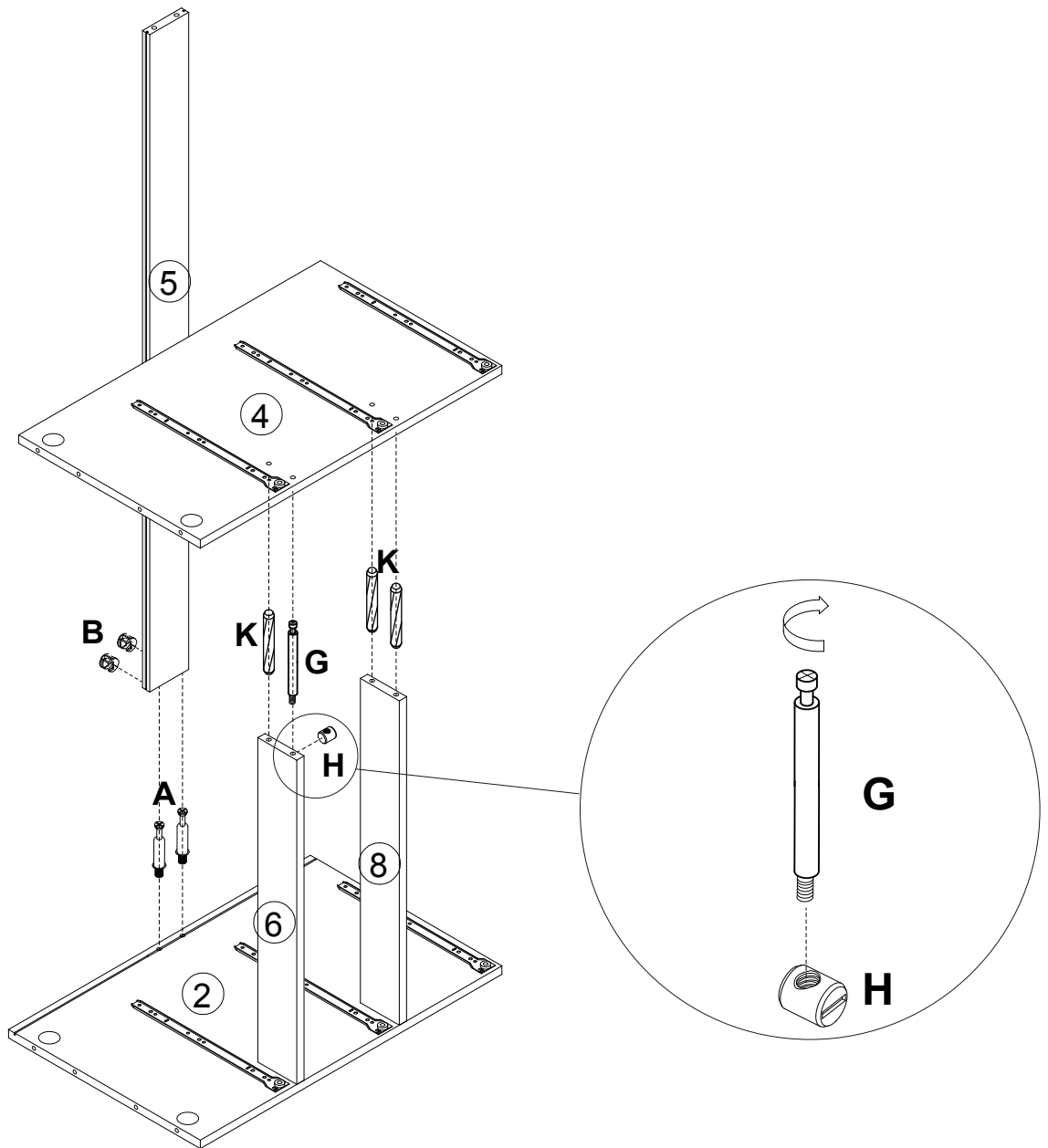
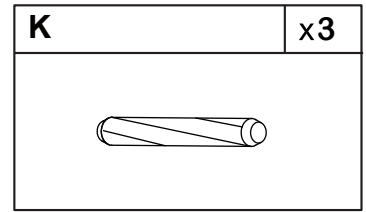
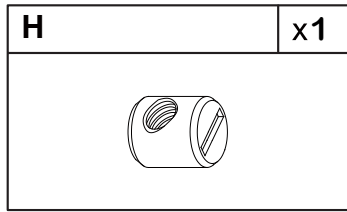
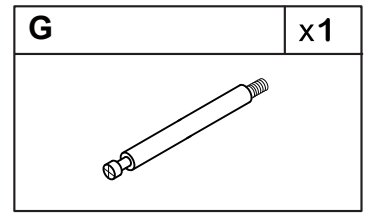
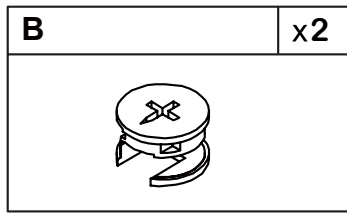
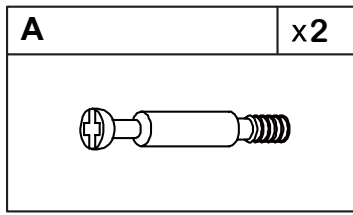


Step 4

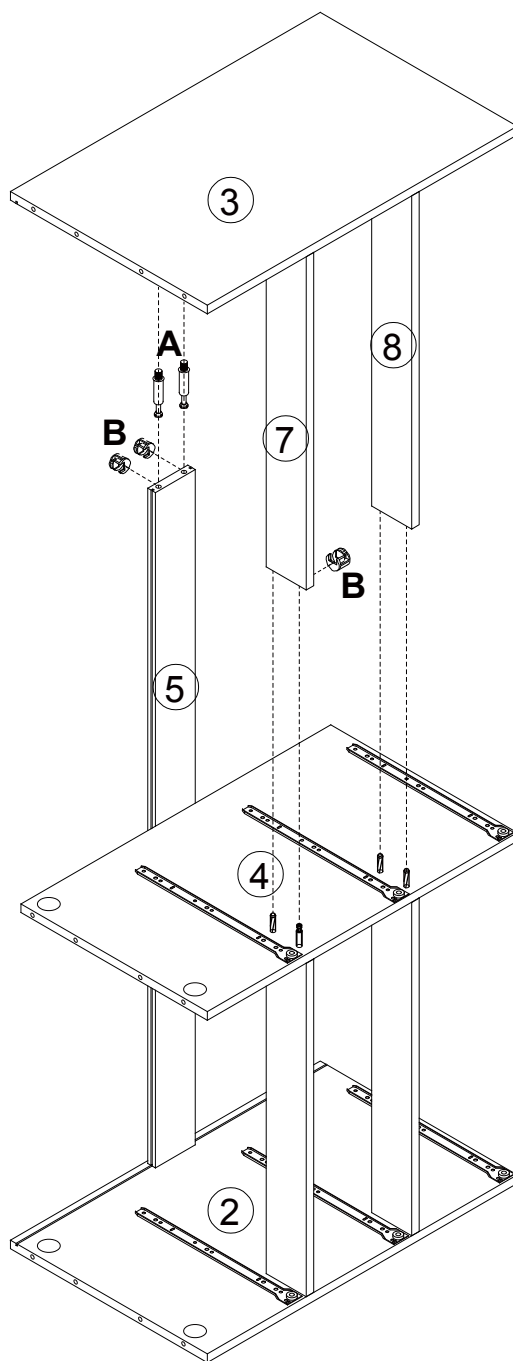
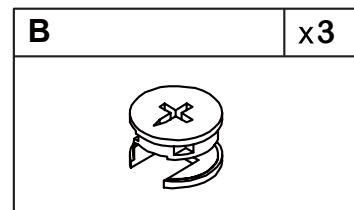
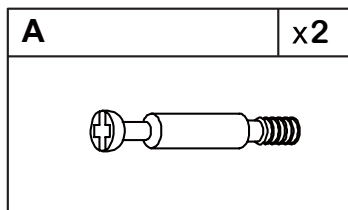
A	x2	B	x2	J	x6
					



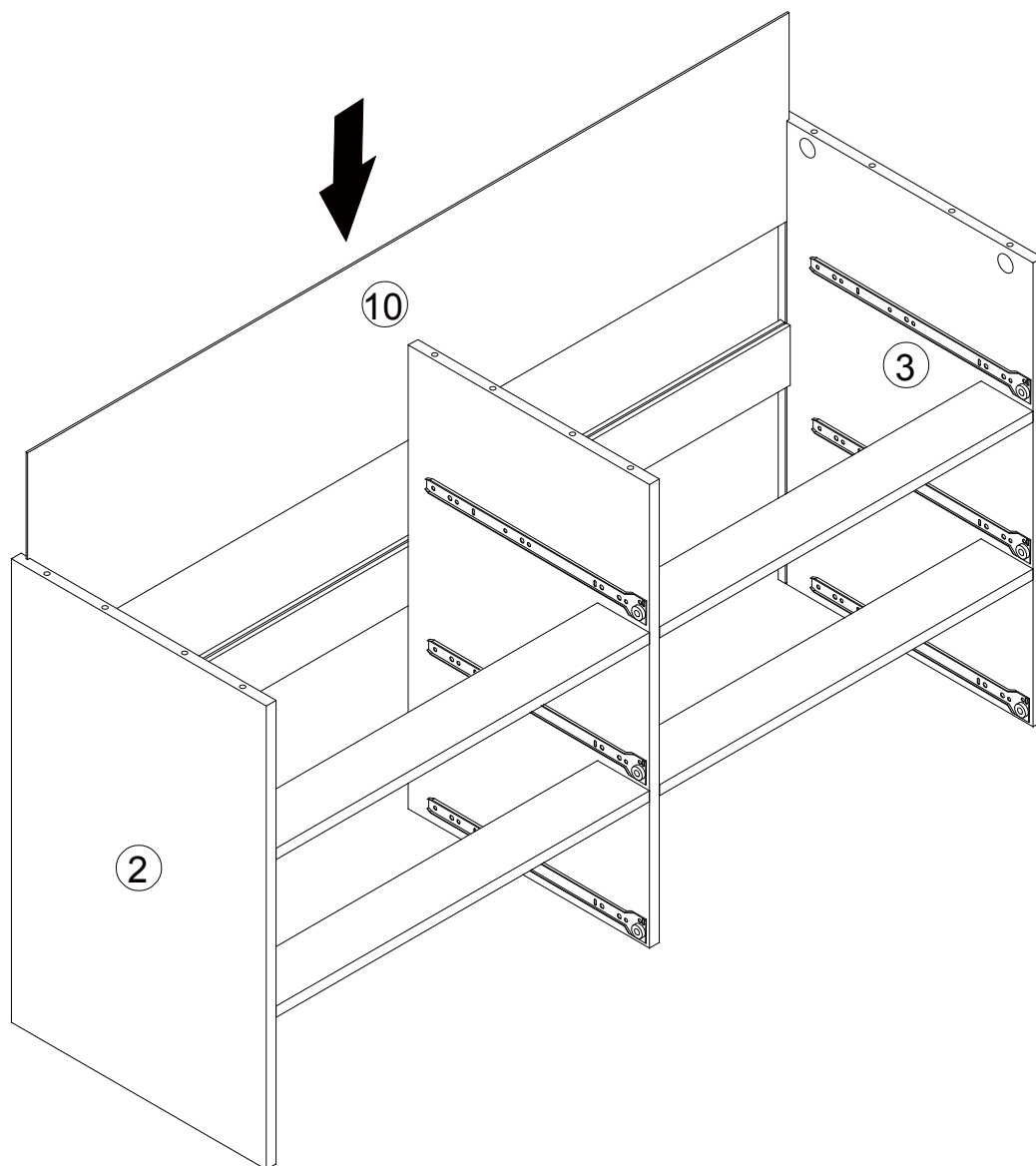
Step 5



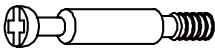

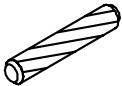
Step 6

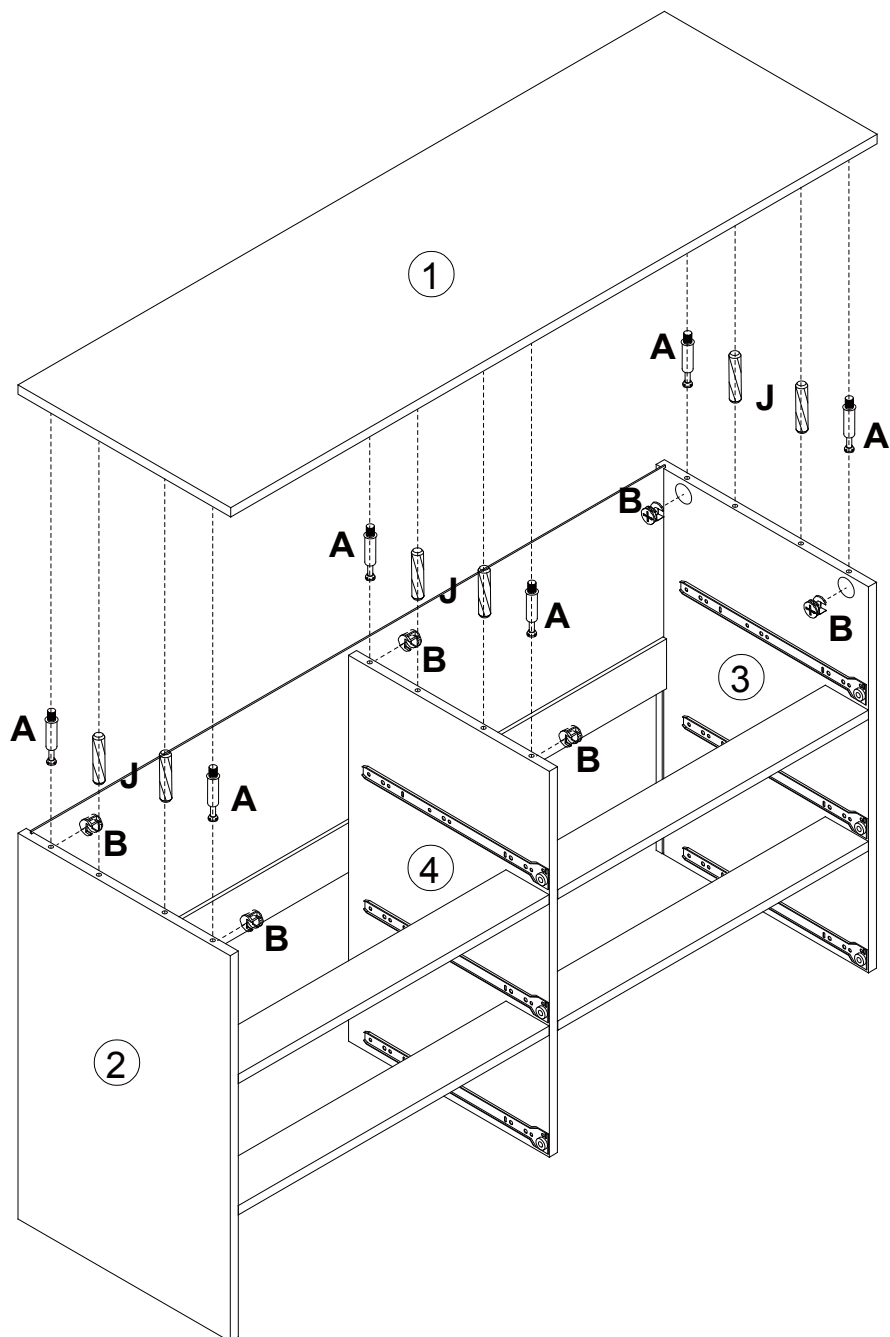


Step 7

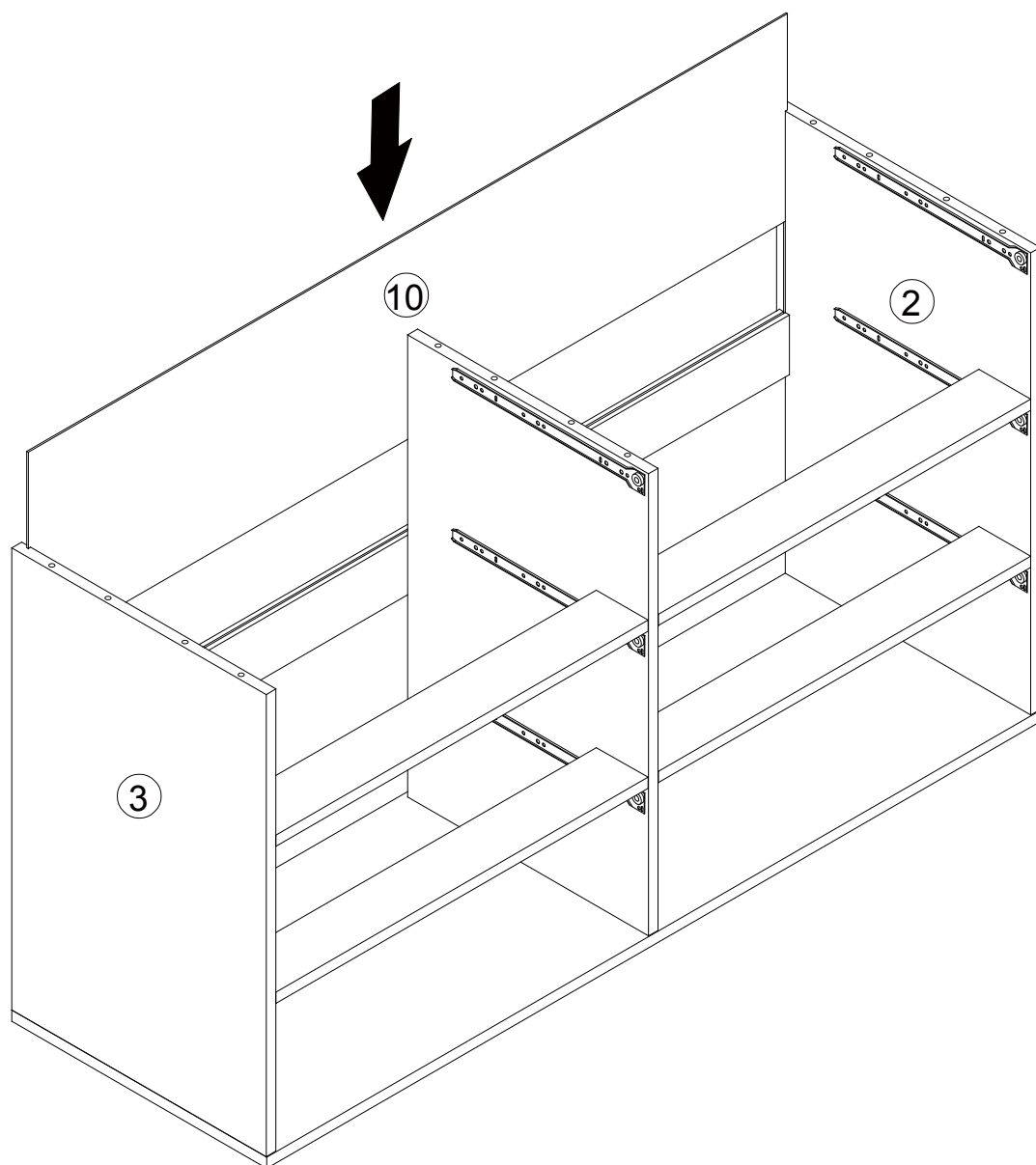


Step 8

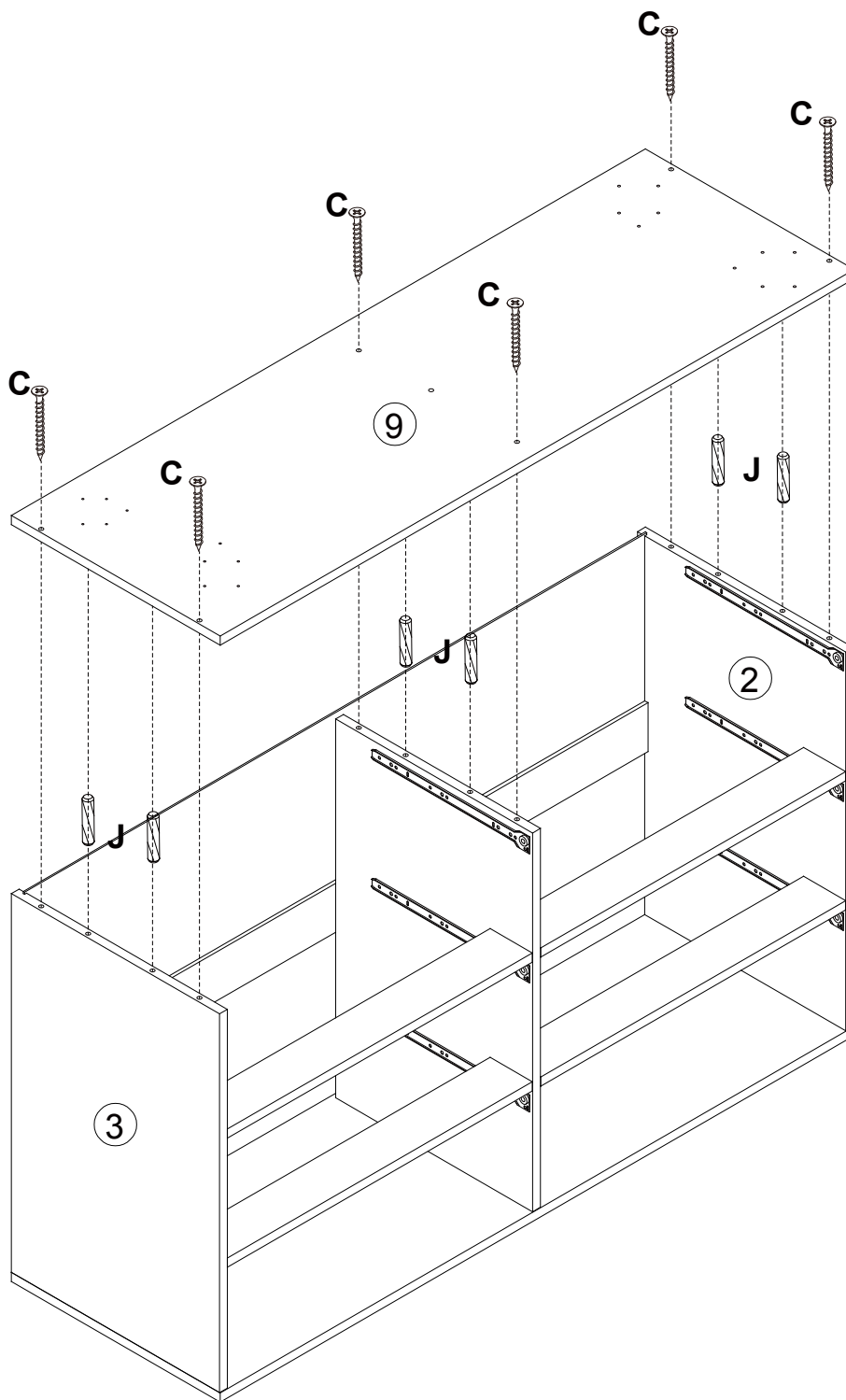
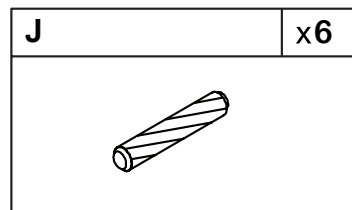
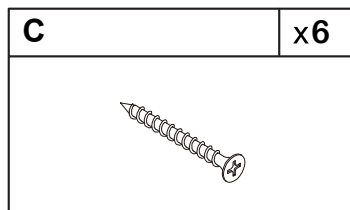
A	x6	B	x6	J	x6
					



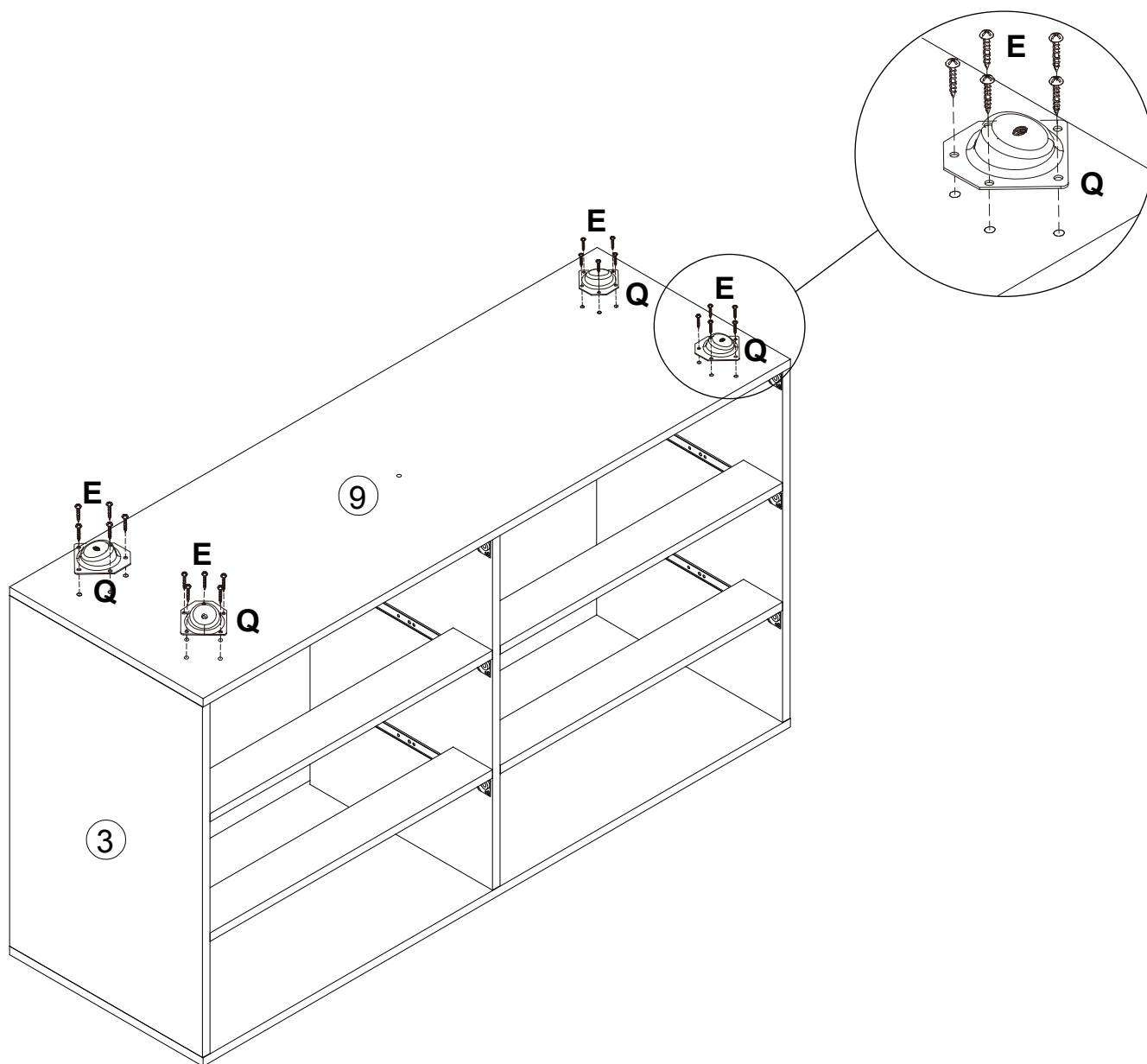
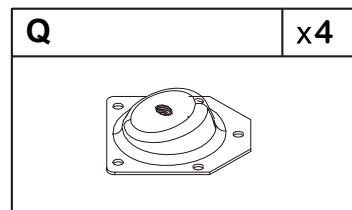
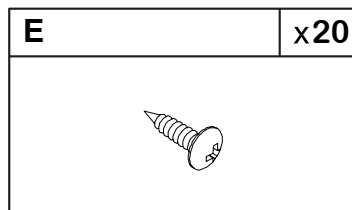
Step 9



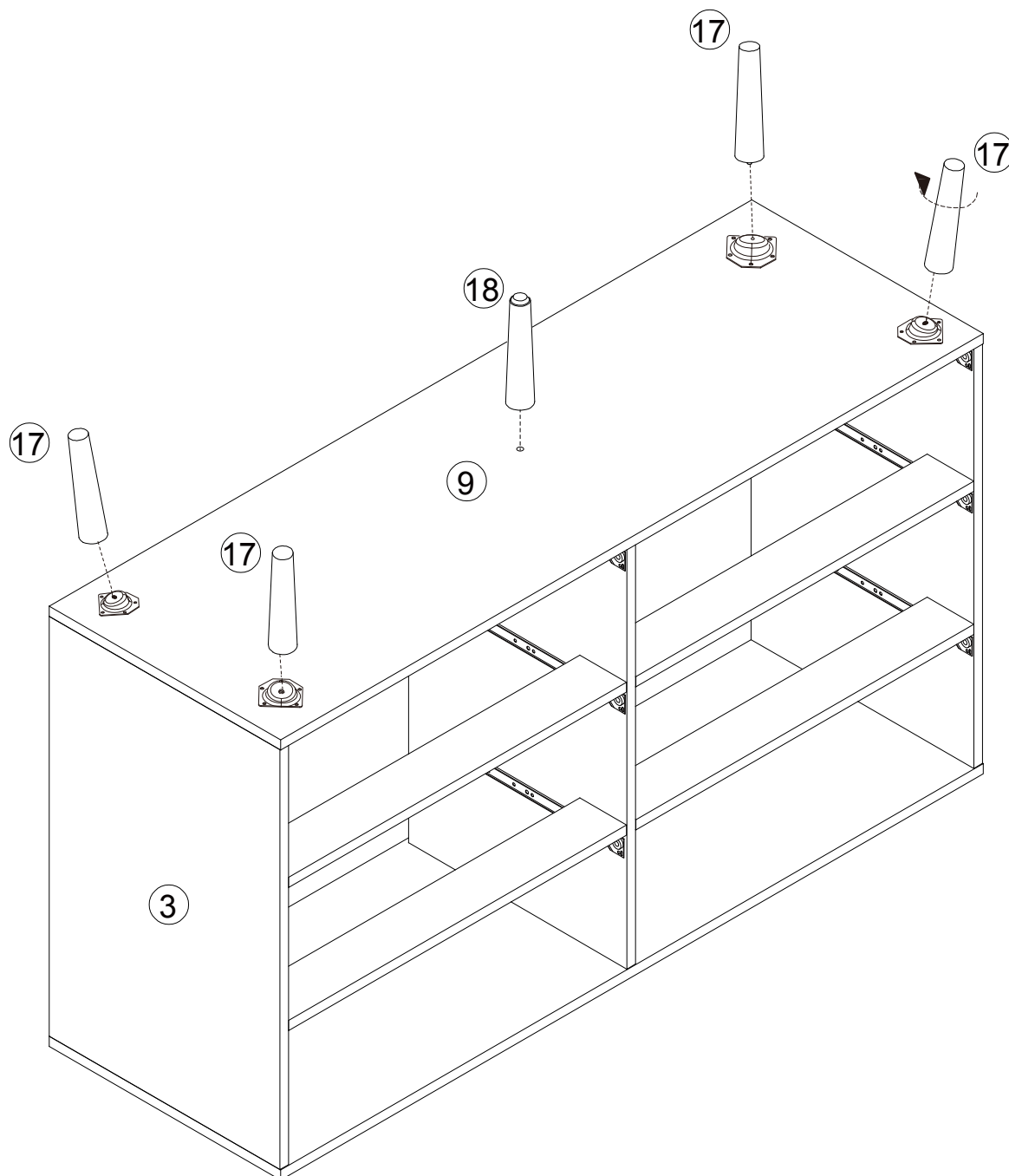
Step 10



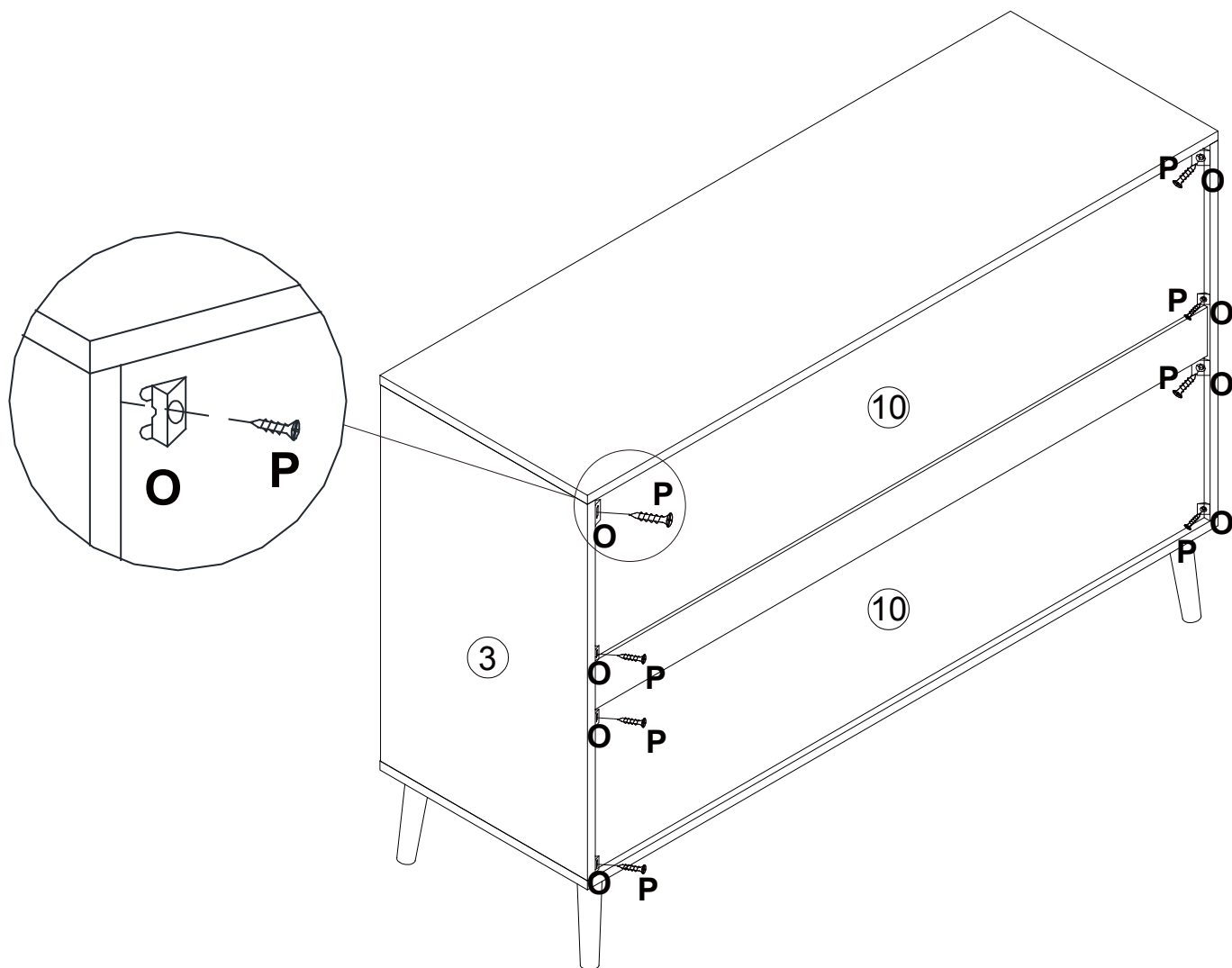
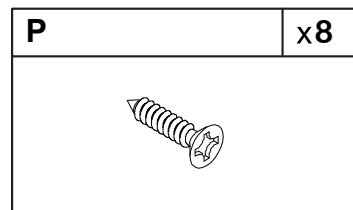
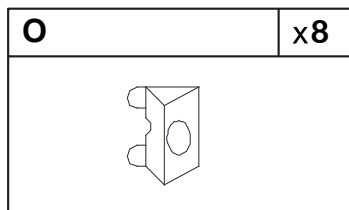
Step 11



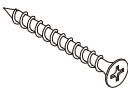
Step 12

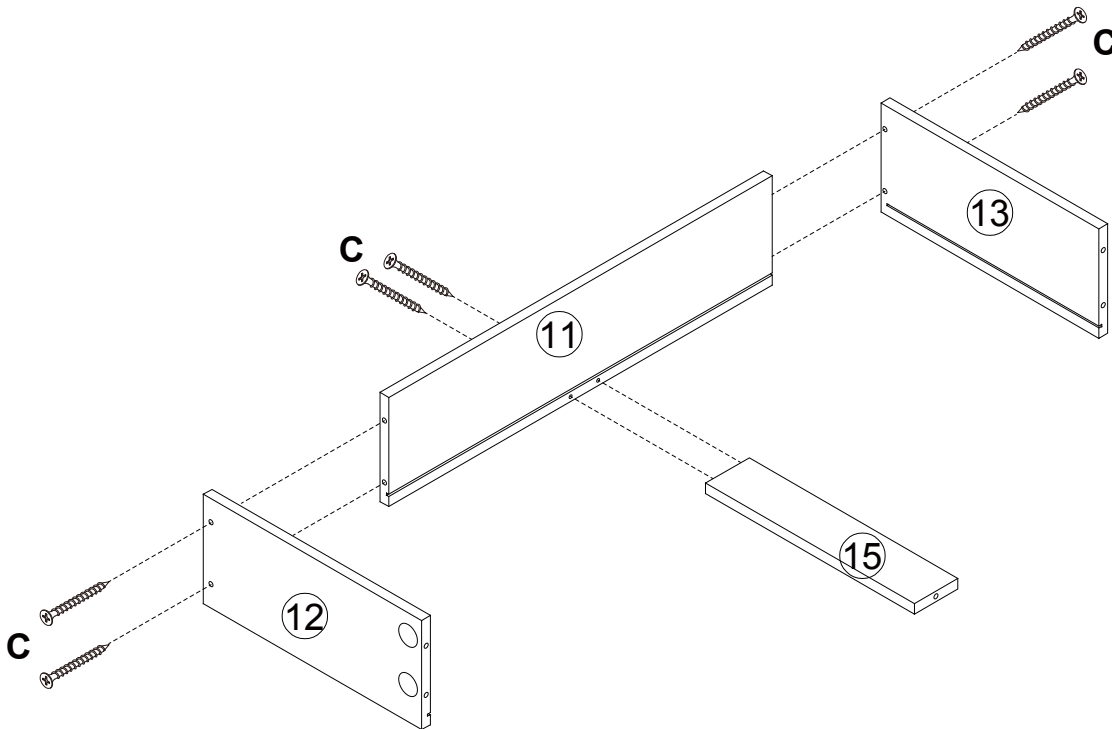


Step 13



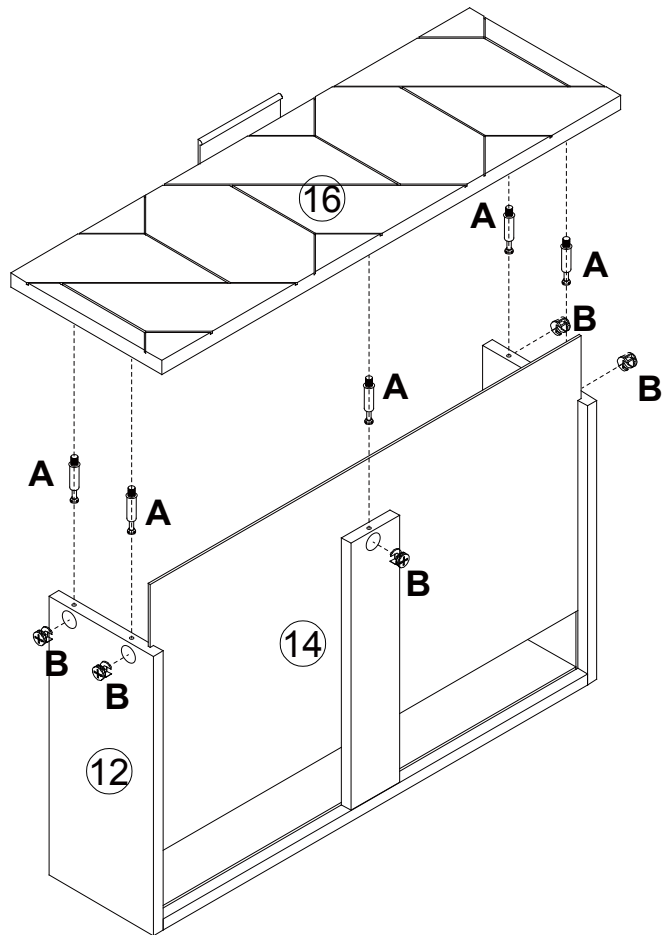
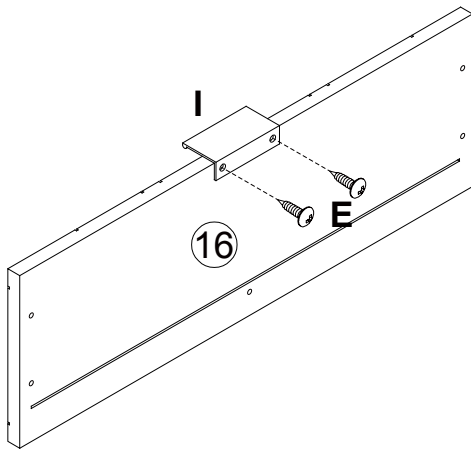
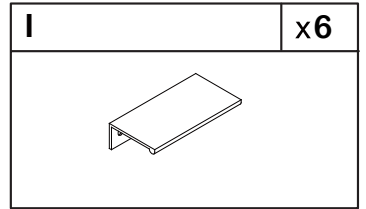
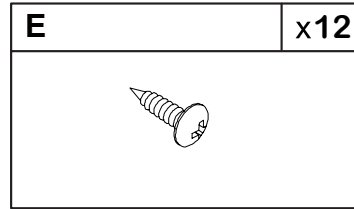
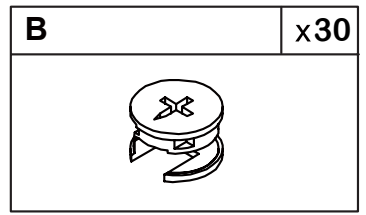
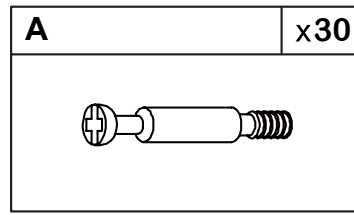
Step 14

C	x36
	



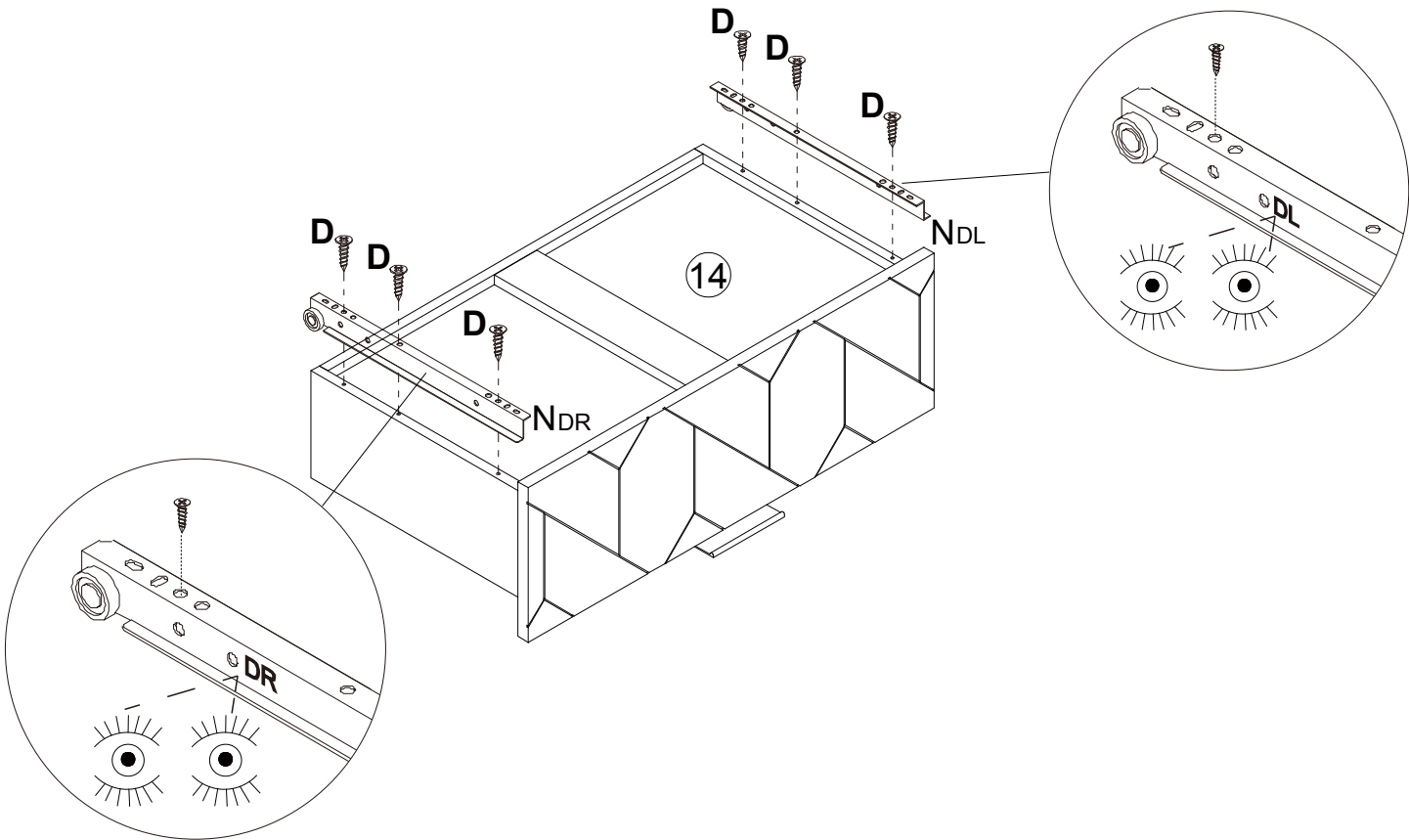
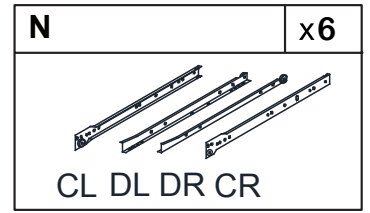
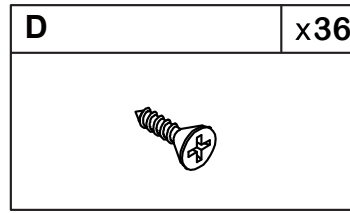
x6

Step 15



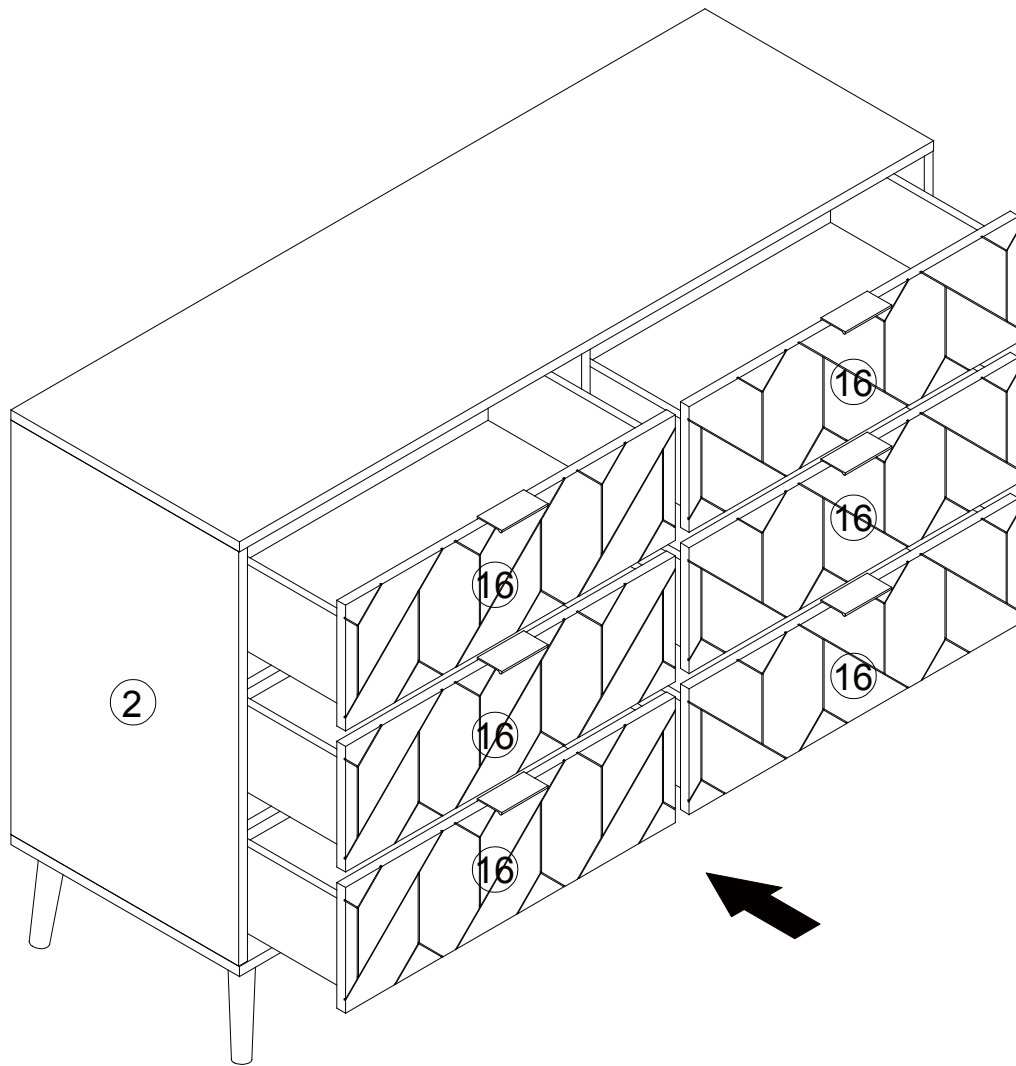
x6

Step 16

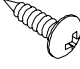



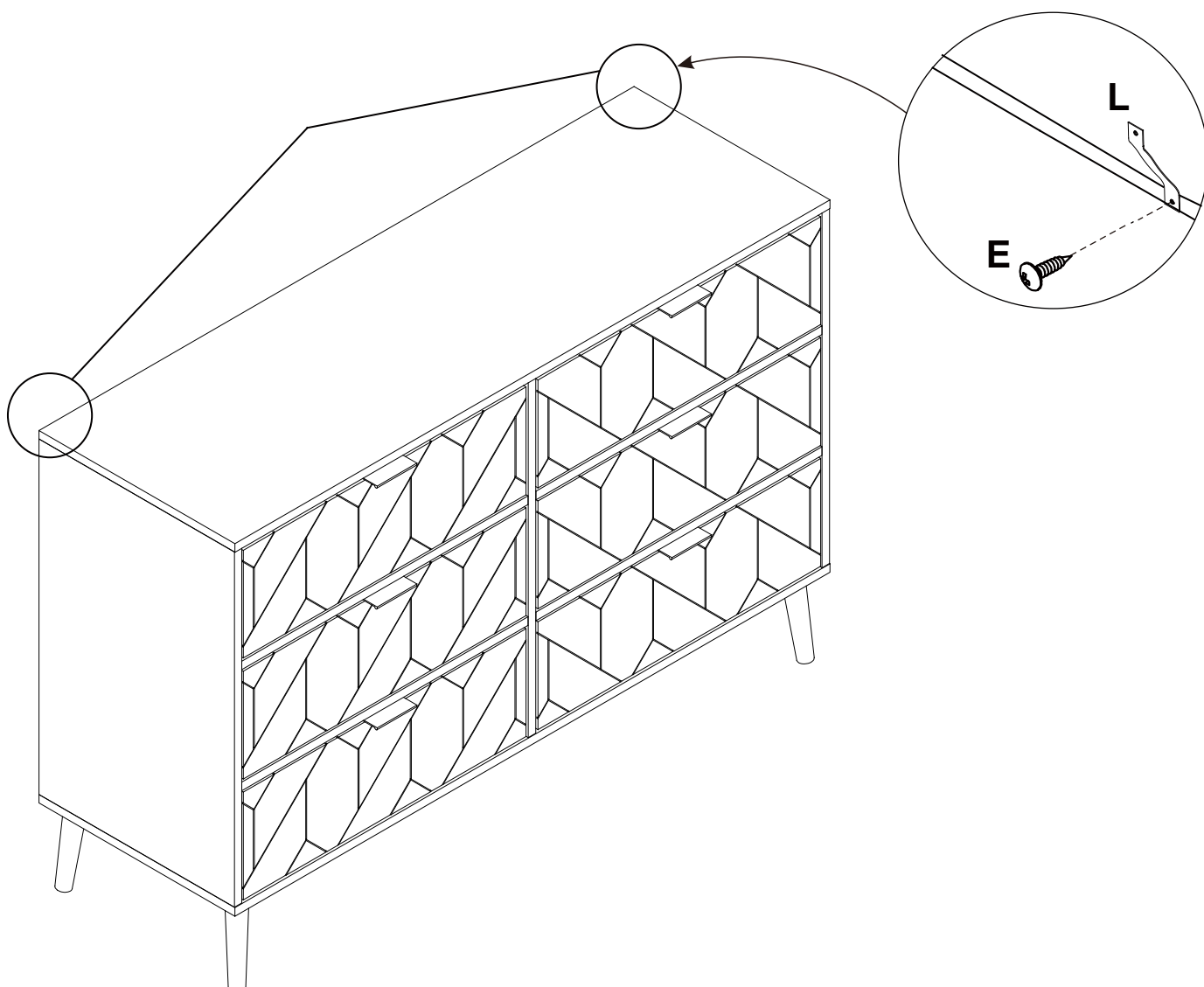
x6

Step 17

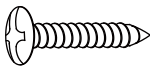
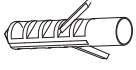


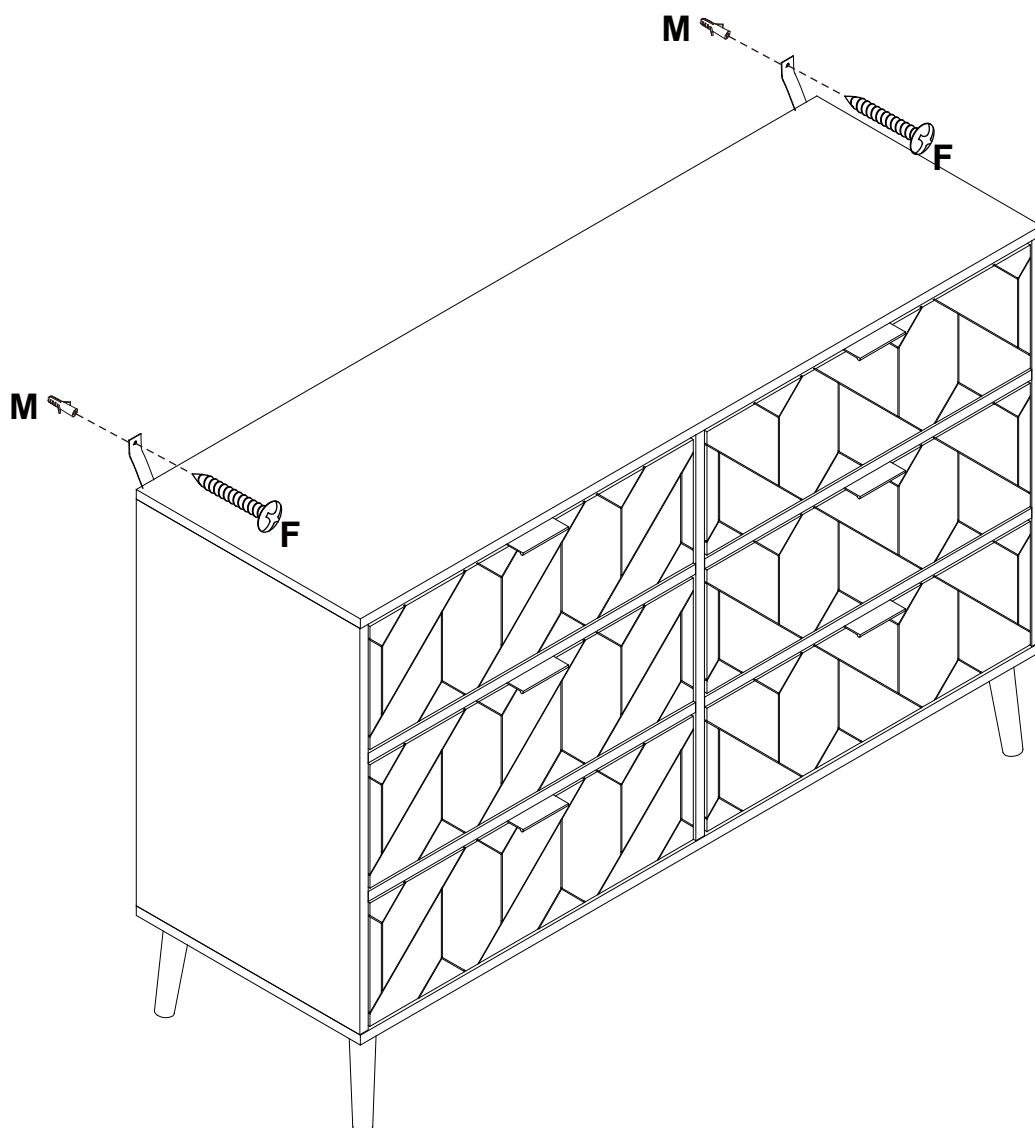
Step 18

E	x2	L	x2
			

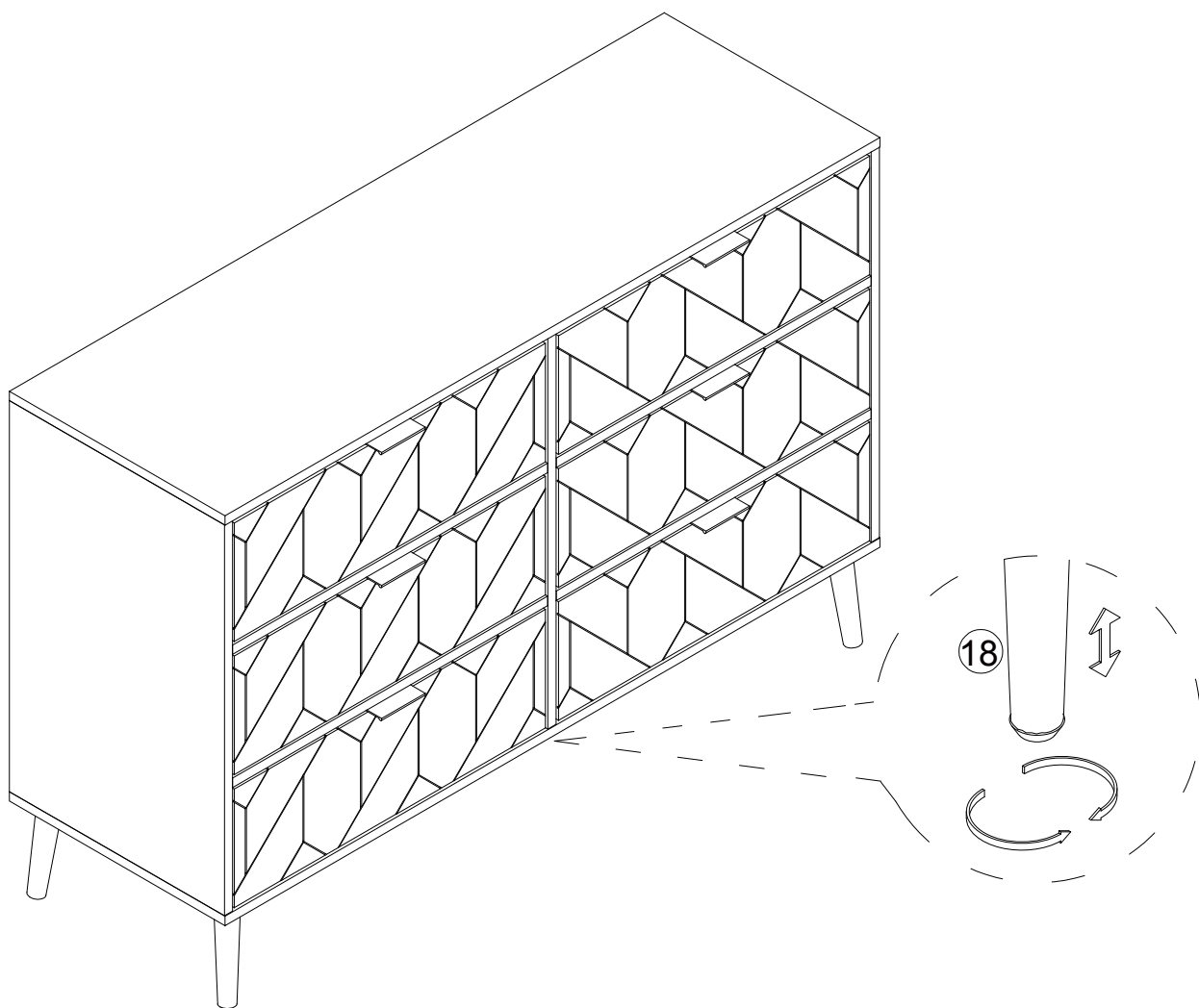


Step 19

F	x2	M	x2
			



Step 20



Proper Use

- DO NOT** use for commercial purposes
- DO NOT** use as a step stool or stand on table
- DO NOT** put hot serving liquid directly on the table top
- DO NOT** leave spilled liquid on the table top
- DO NOT** use table if damaged
- DO NOT** exceed weight limit
- DO NOT** make temporary repairs
- DO NOT** use outdoor