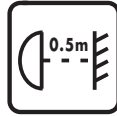
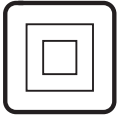
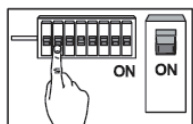
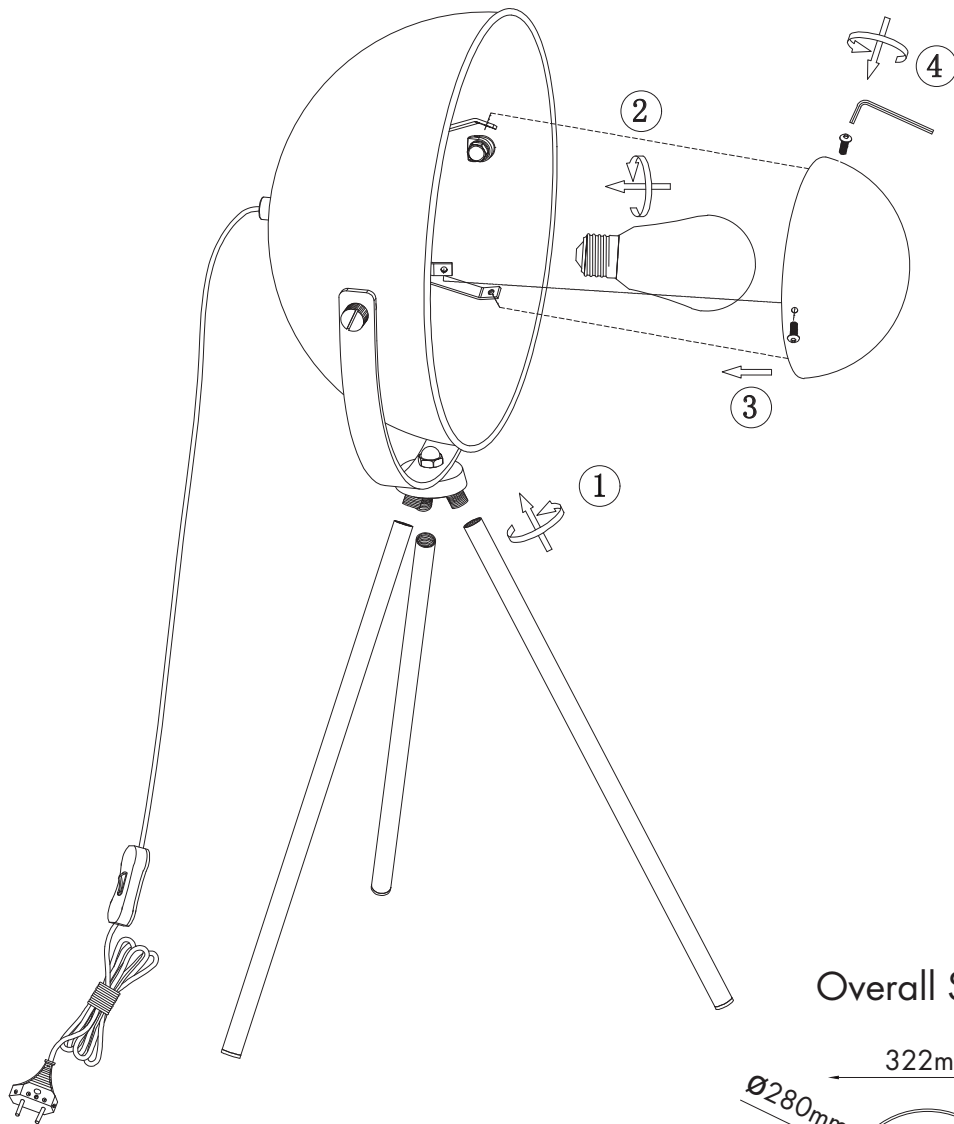
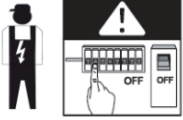


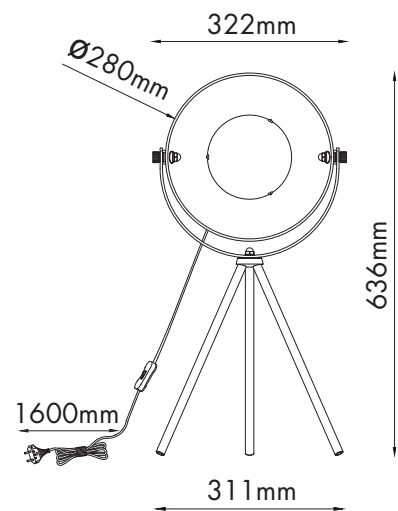
INSTRUCTION MANUAL



Magnax TL28 Black and Gold Adjustable 102511



Overall Sizes:



FittinQ B.V.

Smaragdweg 52, 5527 LB Hapert, The Netherlands
www.qazqa.nl

QAZQA