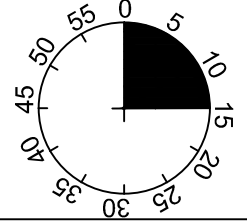
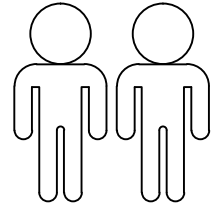
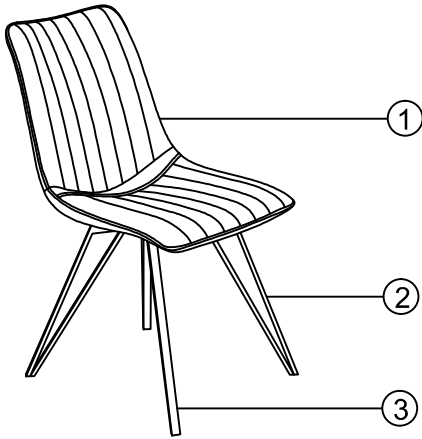


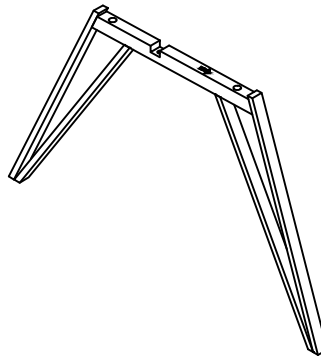
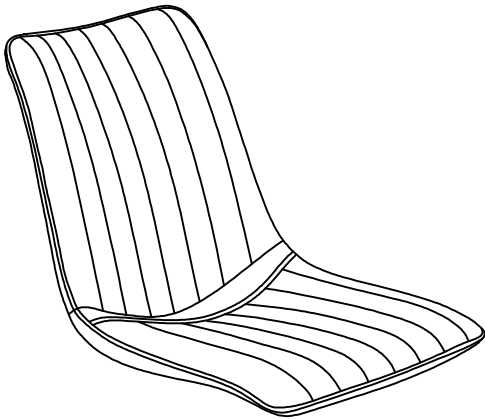
Marie



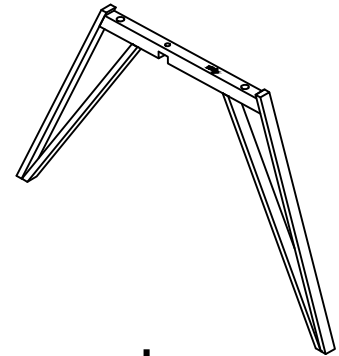
1

2

3





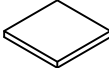
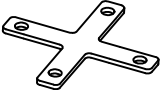
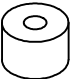
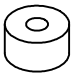


R



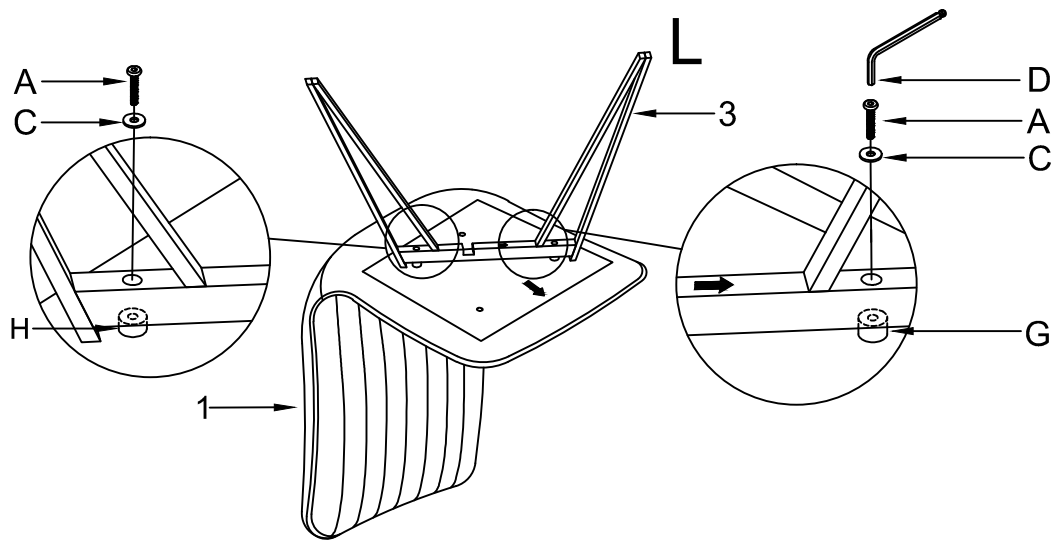
L

1	1 x
2	1 x
3	1 x

A	M6x55	B	M6x13	C	Ø18xØ6x1.5	D	4MM	E	22x23x2	F	T2.0x90x90
	4x		4x		4x		1x		4x		1x
G	Ø22xØ8x15	H	Ø22xØ8x12								
	2x		2x								

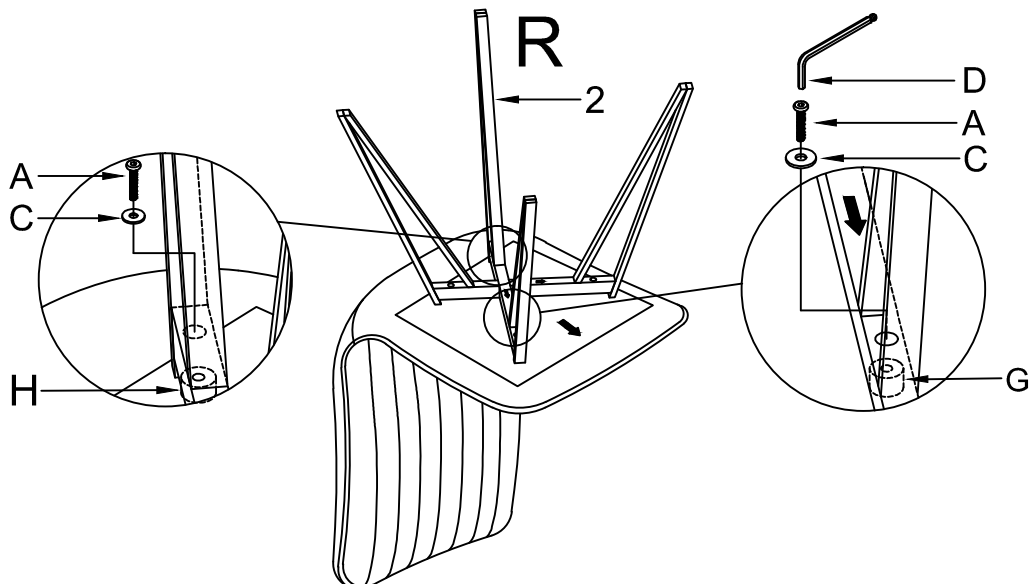
I.

1



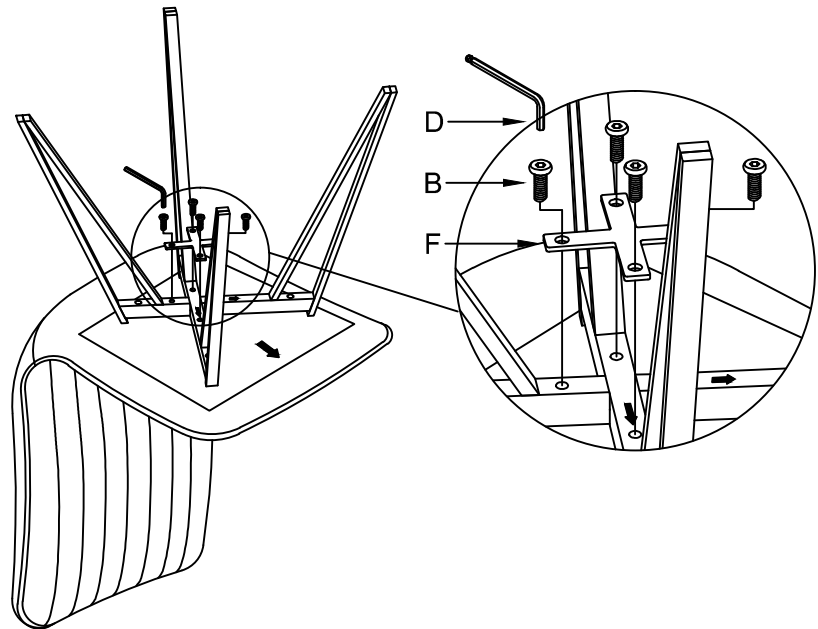
A	M6x55	2x
C	Ø18xØ6x1.5	2x
G	Ø22xØ8x15	1x
H	Ø22xØ8x12	1x
D	4MM	1x

2



A	M6x55	2x
C	Ø18xØ6x1.5	2x
G	Ø22xØ8x15	1x
H	Ø22xØ8x12	1x
D	4MM	1x

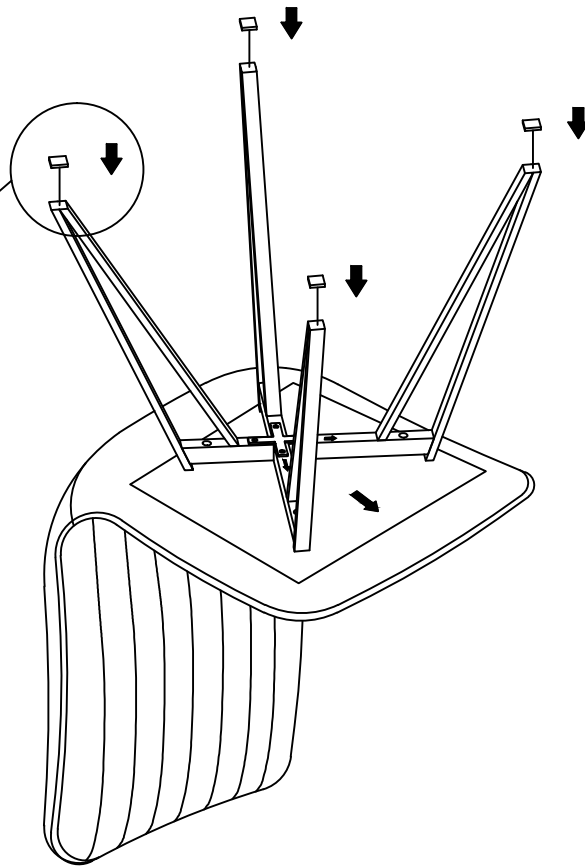
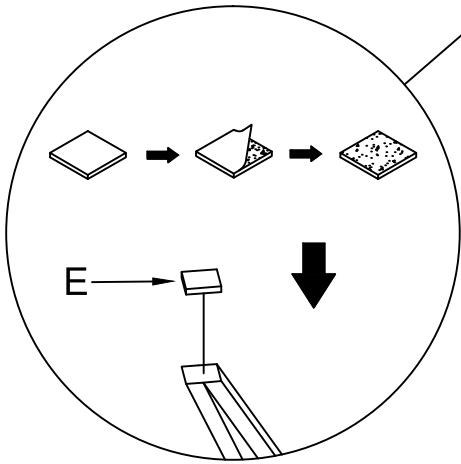
3

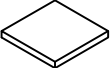



B	M6x13	4x
D	4MM	1x
F	T2.0x90x90	1x

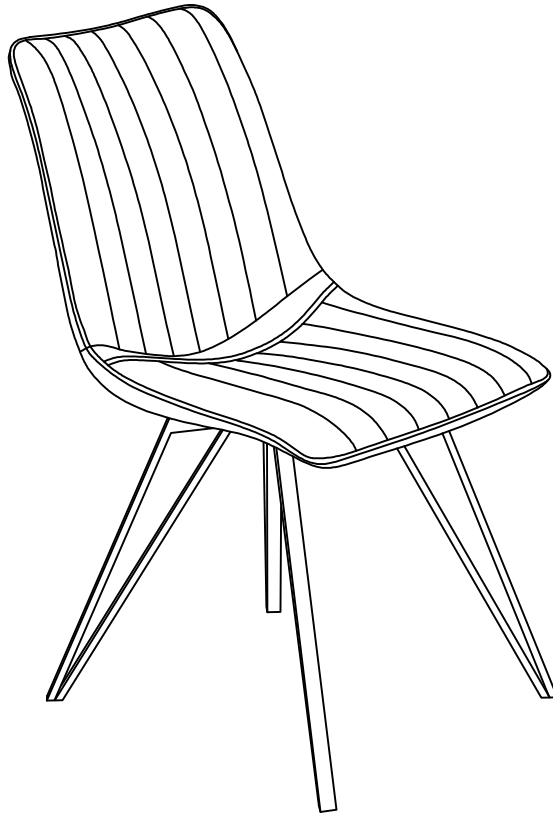
II.


4



E	22x23x2
	4x
	

5



D	4MM
	1x
