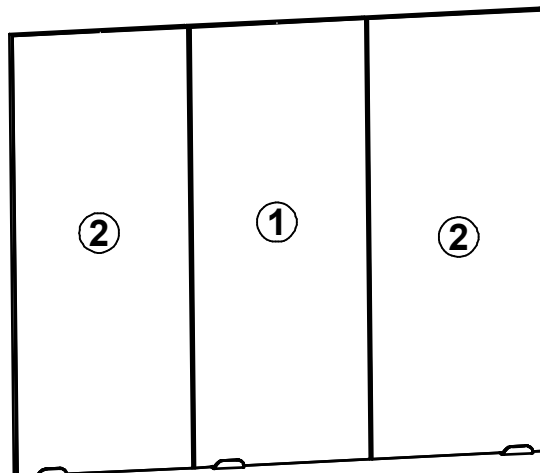
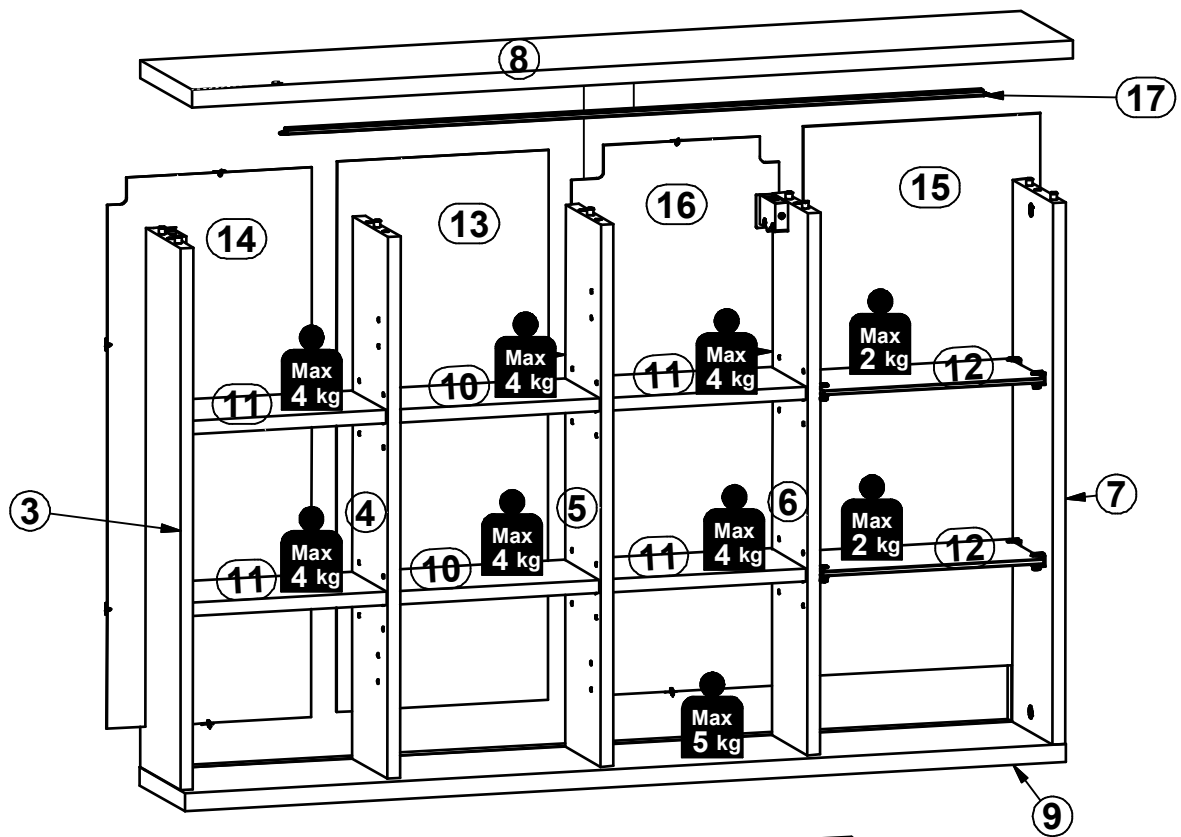
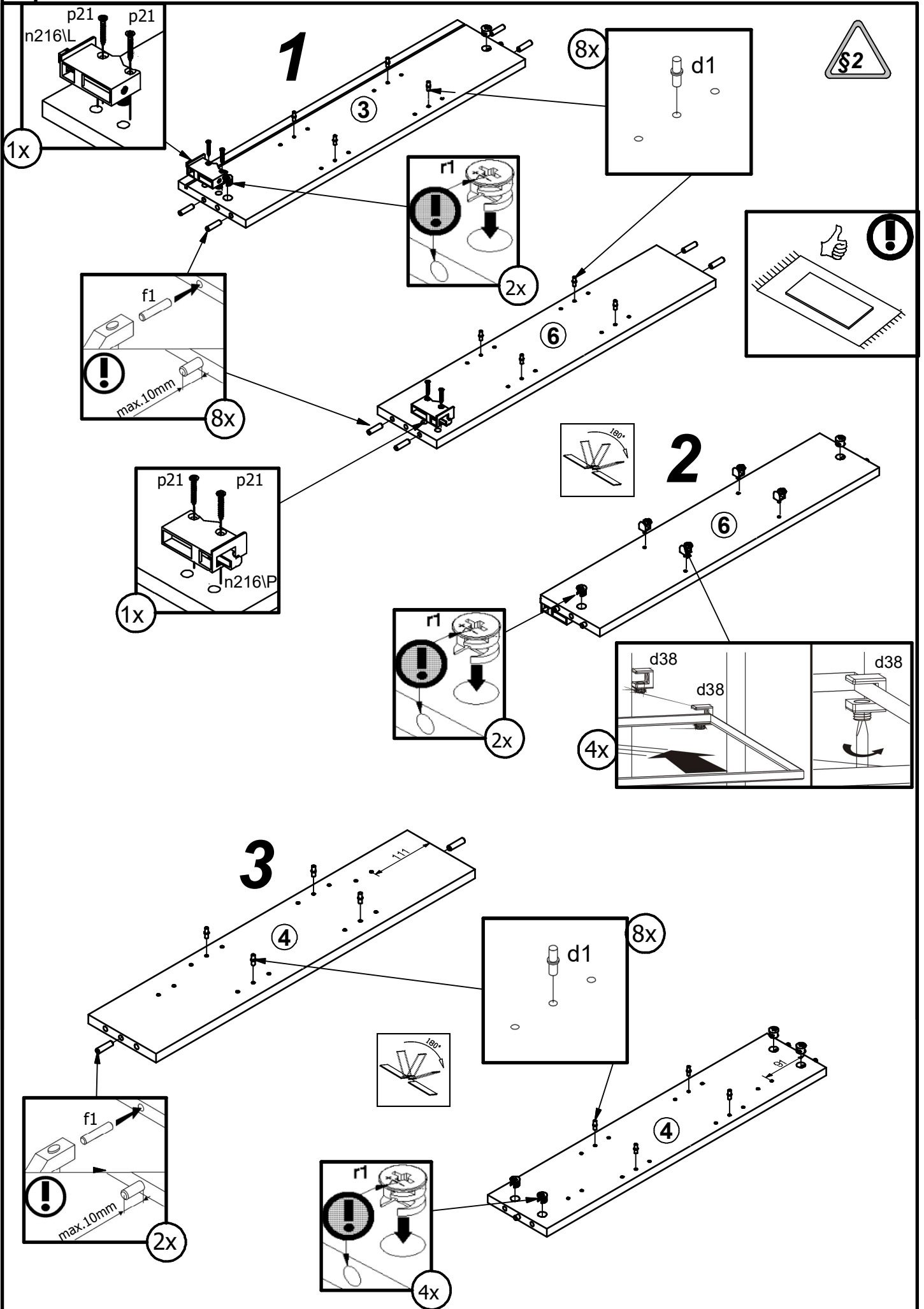
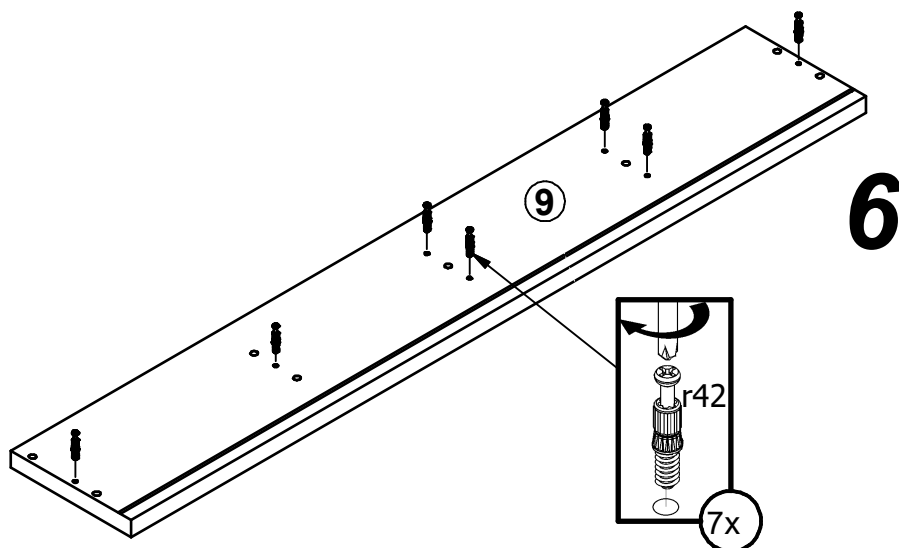
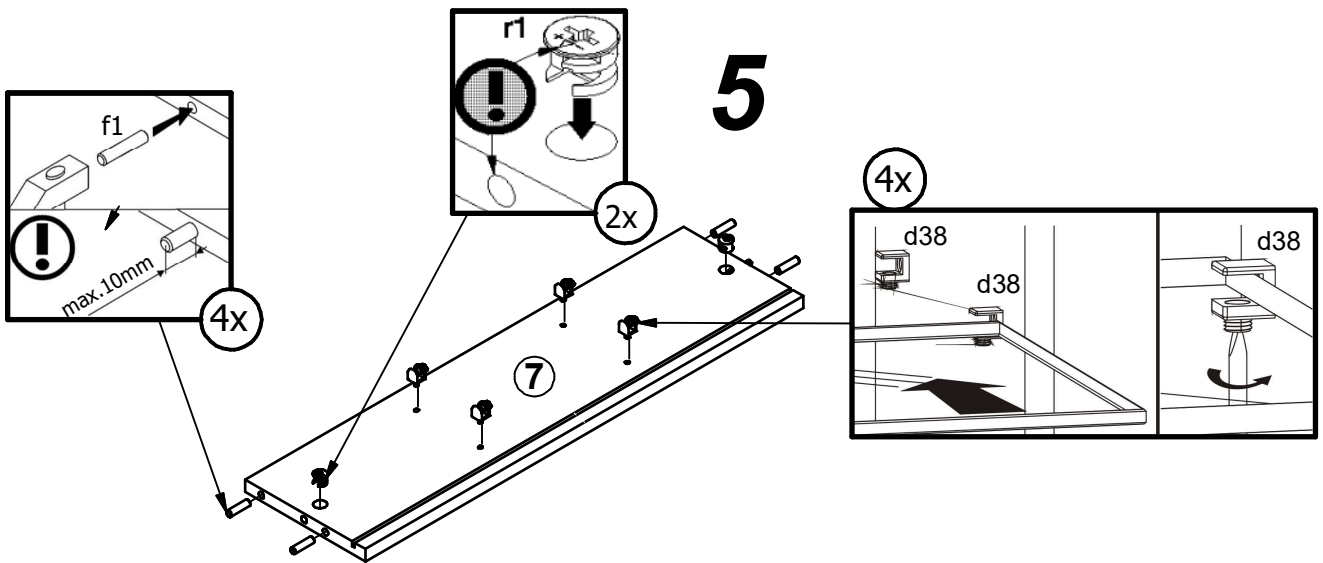
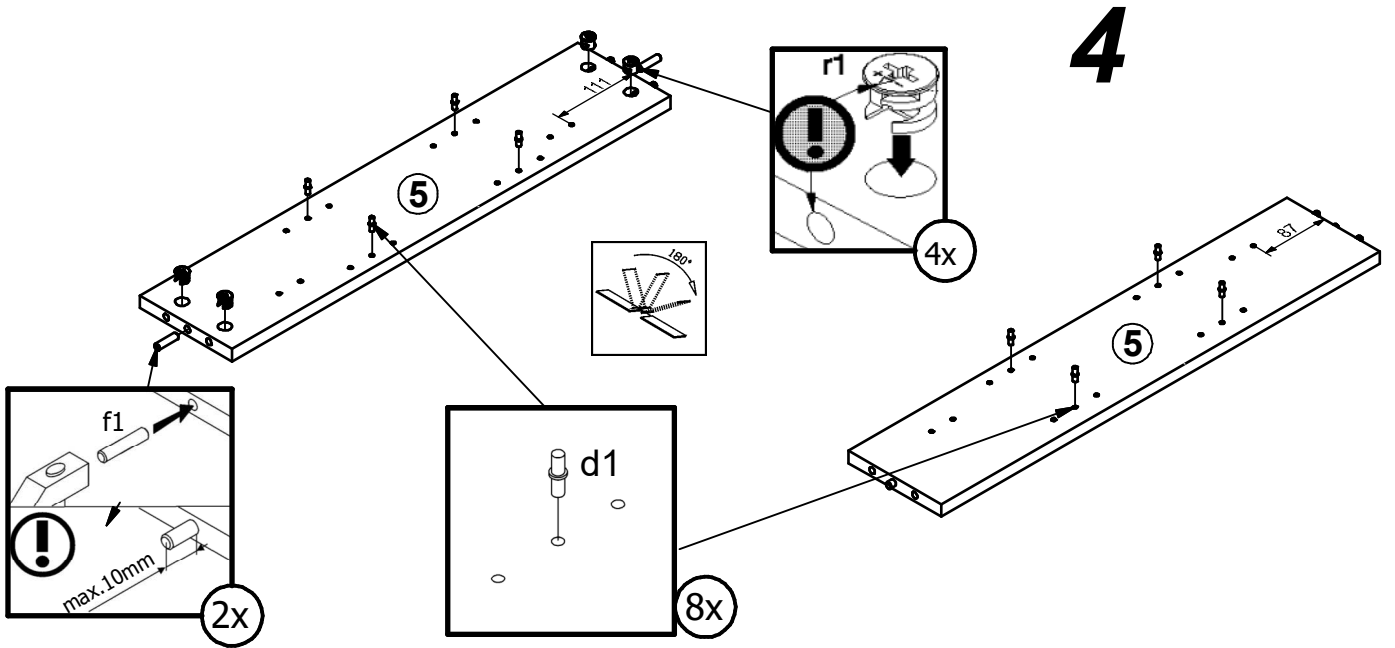


6x a205	4x b90	2x b92	24x d1	16x f1
12x l2	12x n108	1x n216\L	1x n216\P	2x n217
1x o136\3	4x p21	18x p51	14x r1	14x r42
14x s68	8x d38	12x p55	3x c38	
4x f35	4x p17			

A	B	C1	C2	C3	D
1	S535-0002	650	263	19	1/2
2	S535-0003	650	263	19	1/2
3	S535-1004	656	159	16	1/2
4	S535-1005	656	139	16	1/2
5	S535-1006	656	139	16	1/2
6	S535-1007	656	139	16	1/2
7	S535-1008	656	180	16	1/2
8	S535-2003	1100	205	22	2/2
9	S535-2004	1100	180	22	2/2
10	S535-3002	249	137	16	2/2
11	S535-3003	242	137	16	2/2
12	S535-3004	277	137	6	2/2
13	S535-9002	264	666	2,5	1/2
14	S535-9003	255	666	2,5	1/2
15	S535-9004	296	666	2,5	1/2
16	S535-9005	259	666	2,5	1/2
17	o79\7				2/2

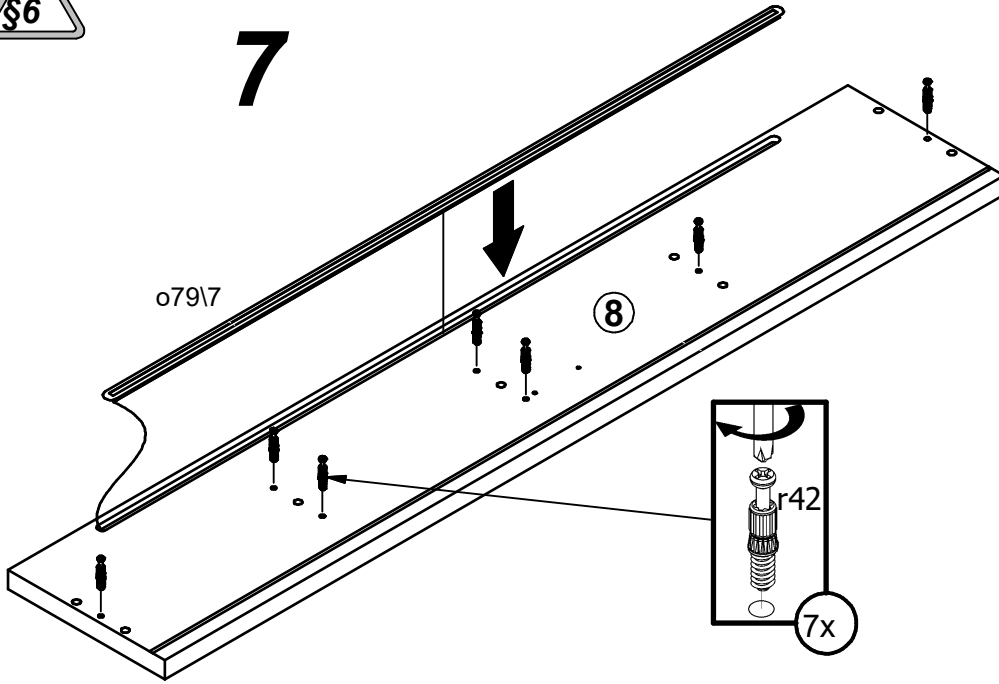




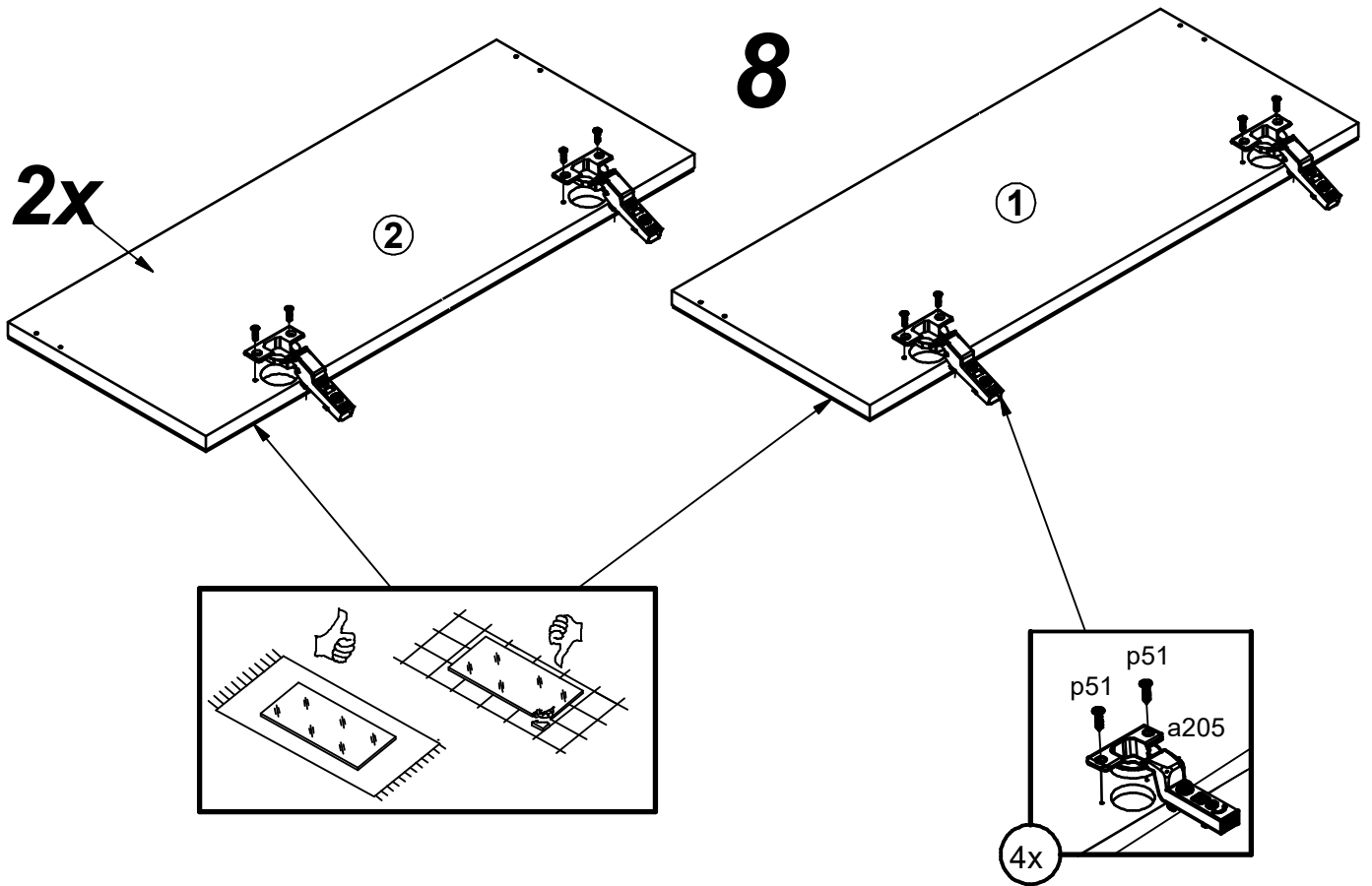




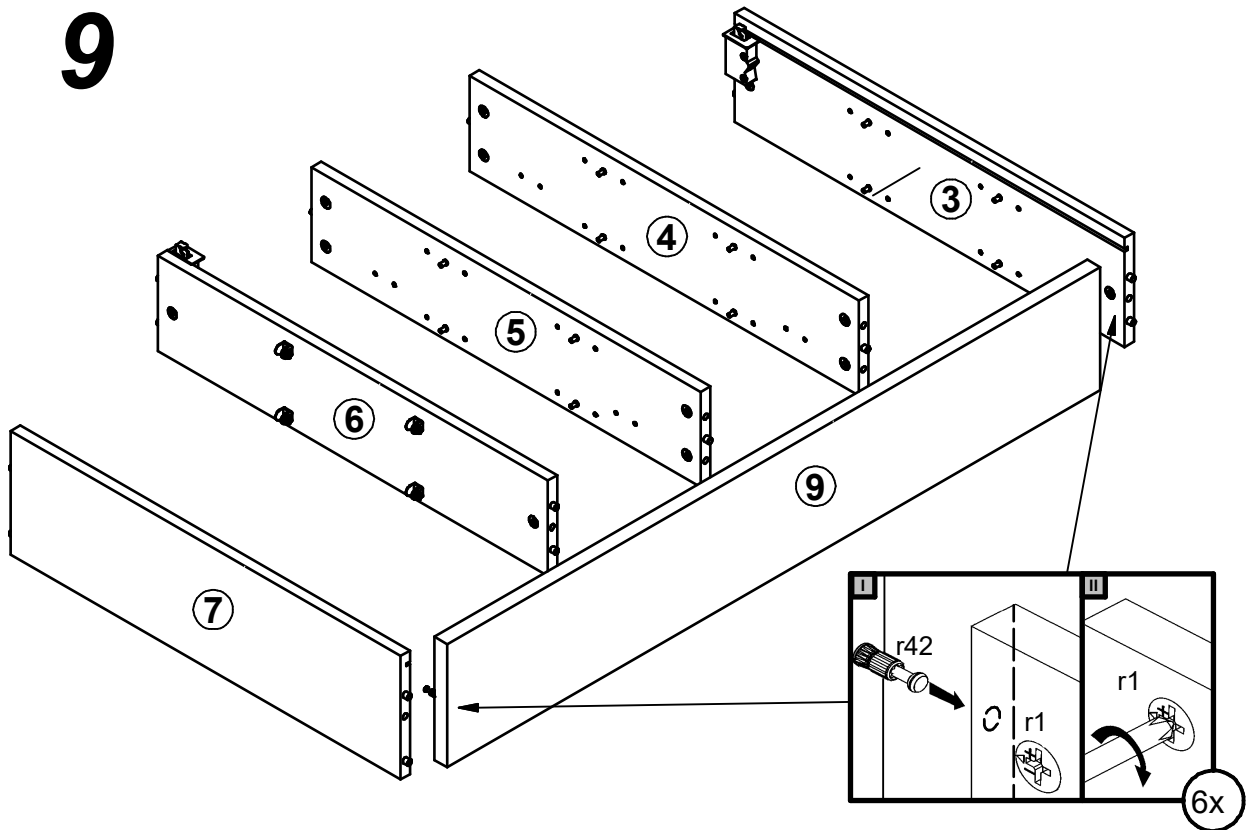
7



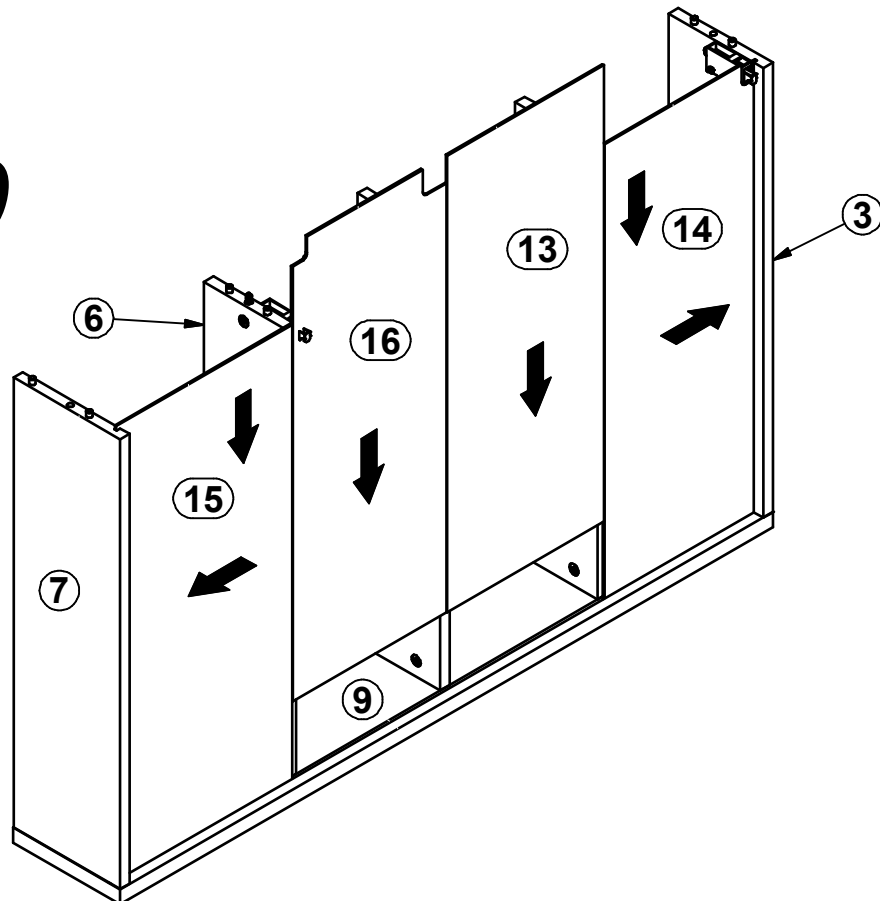
8

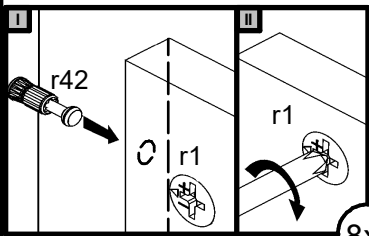


9



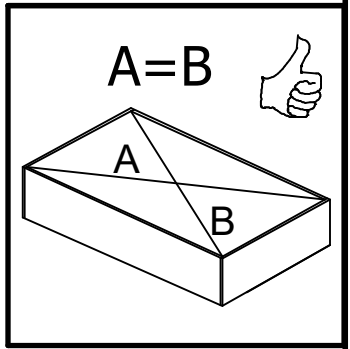
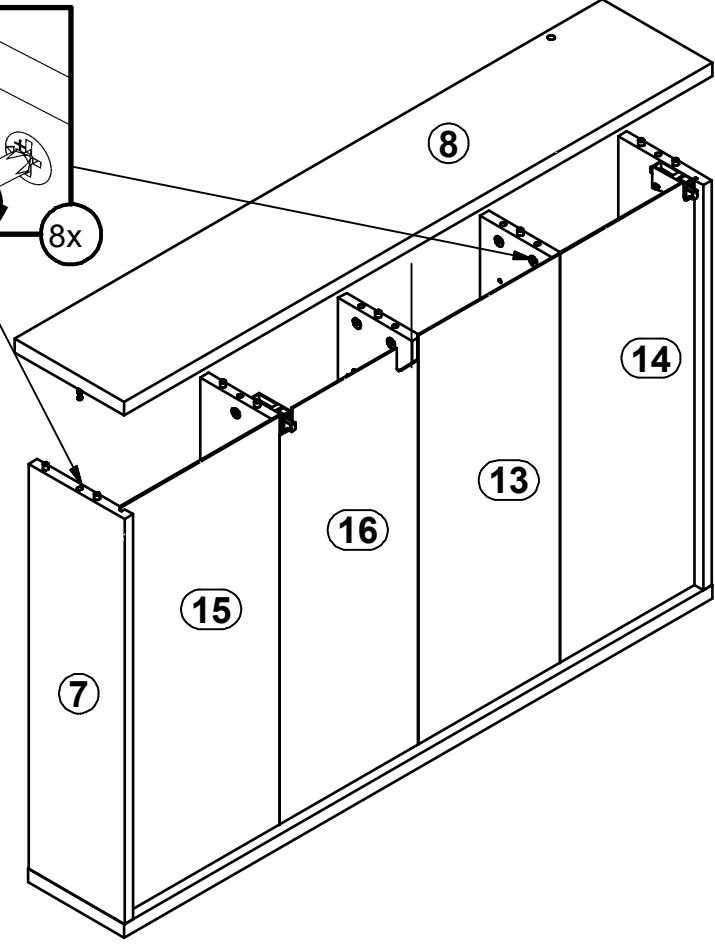
10



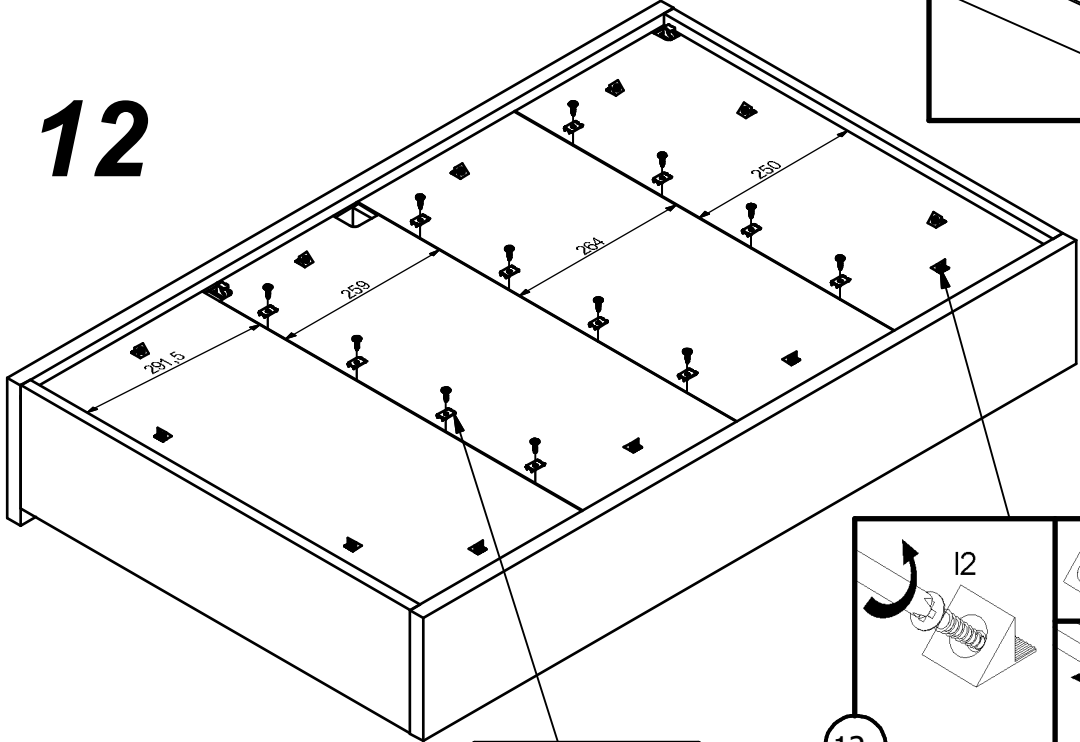


8x

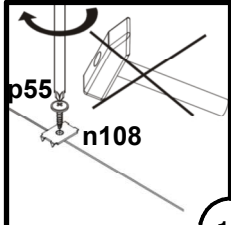
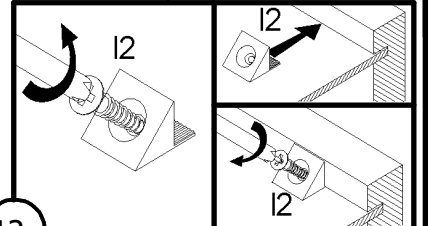
11



12

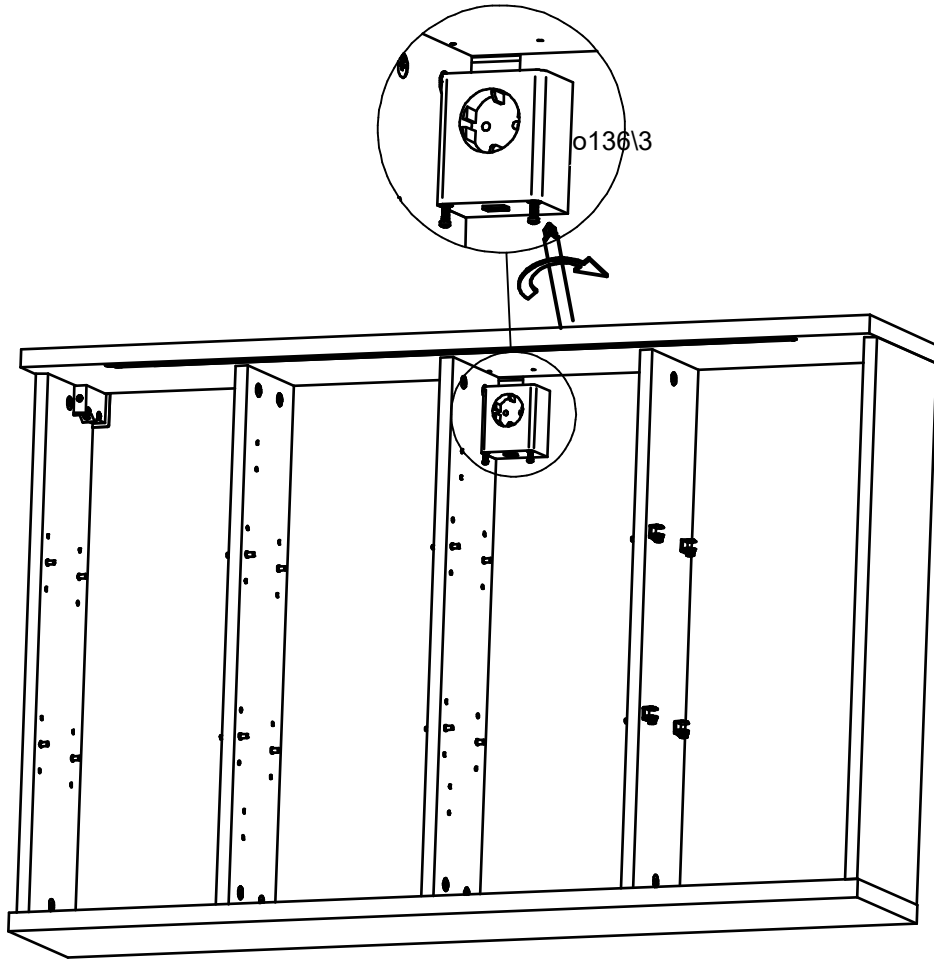


12x



12x

10



11

