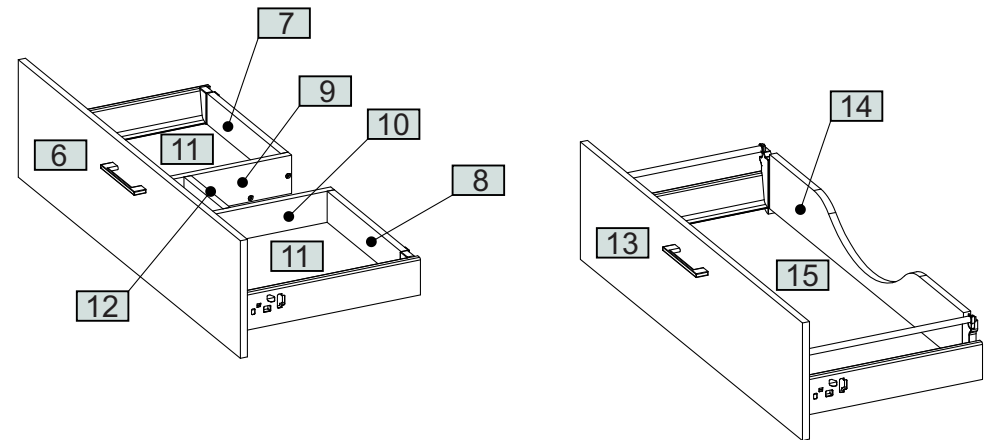
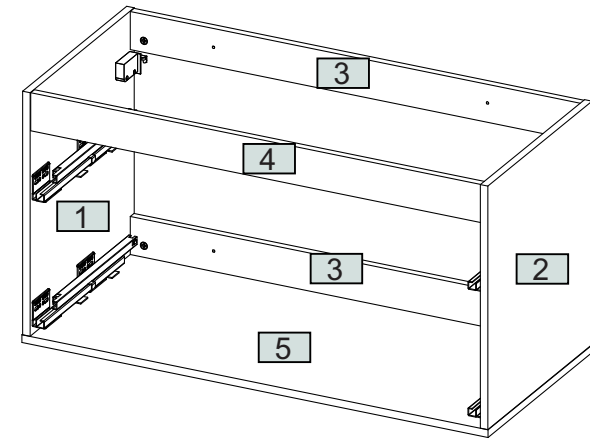
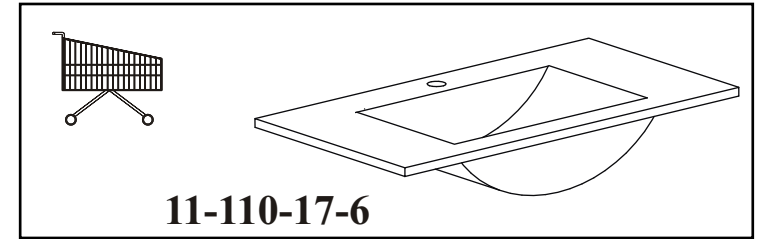
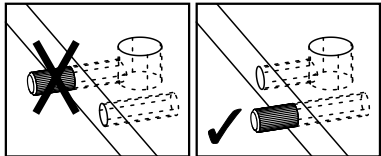
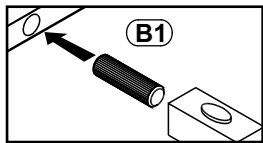
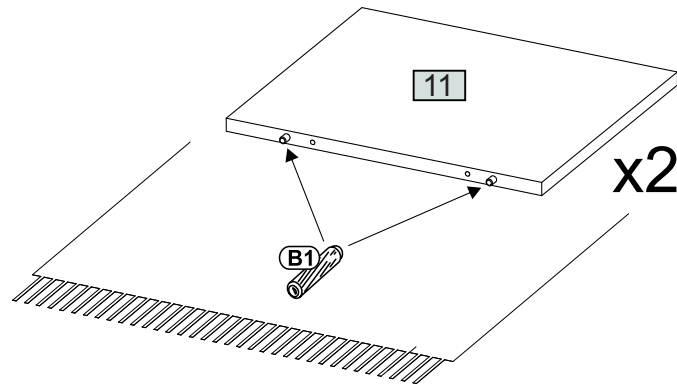
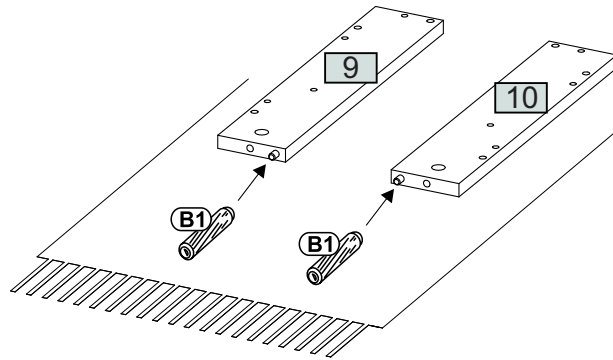
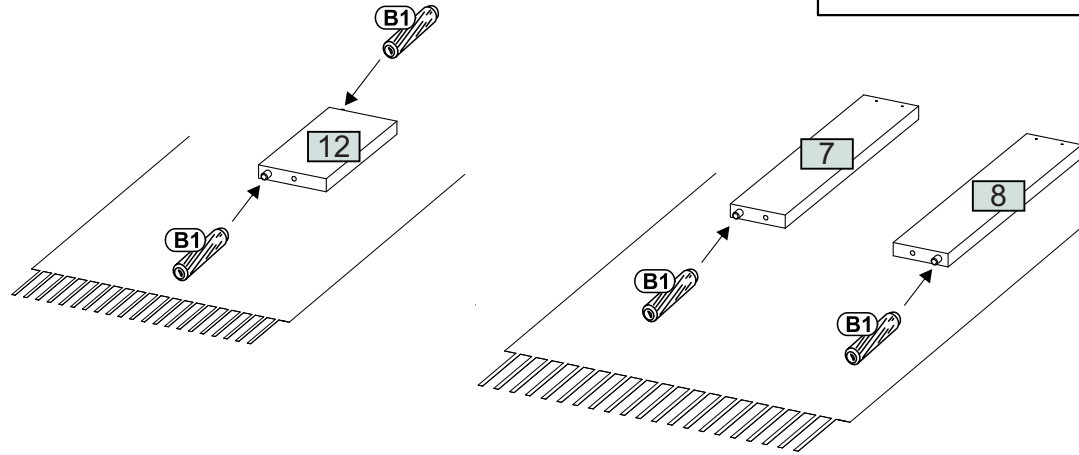
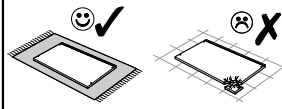
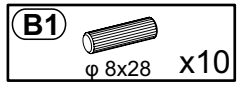


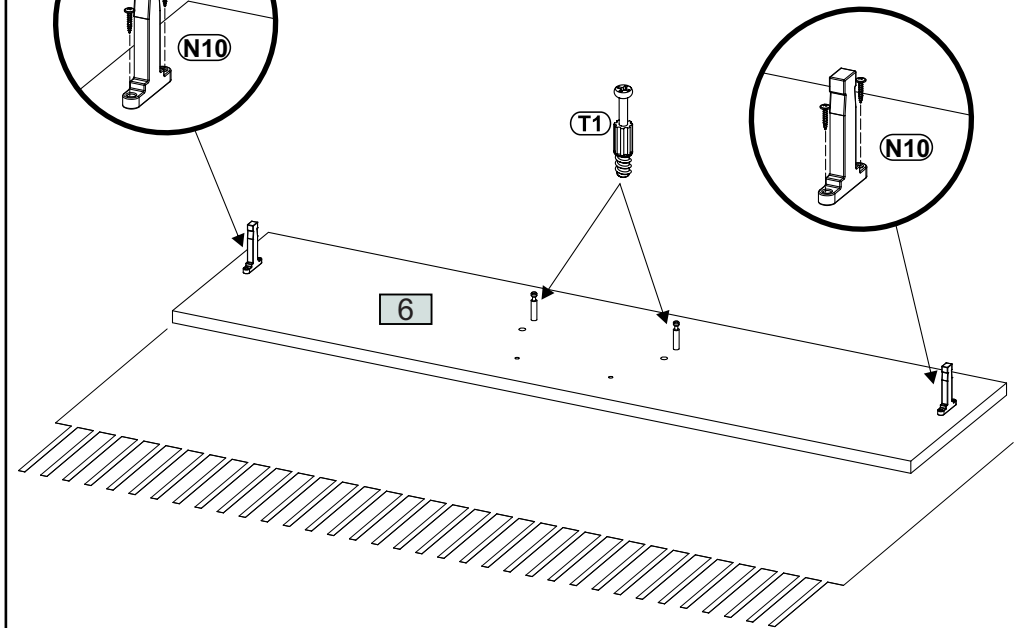
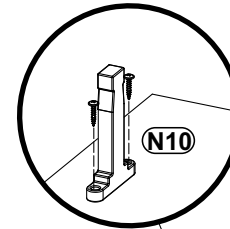
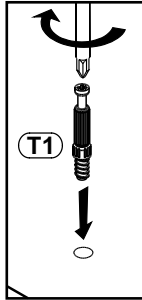
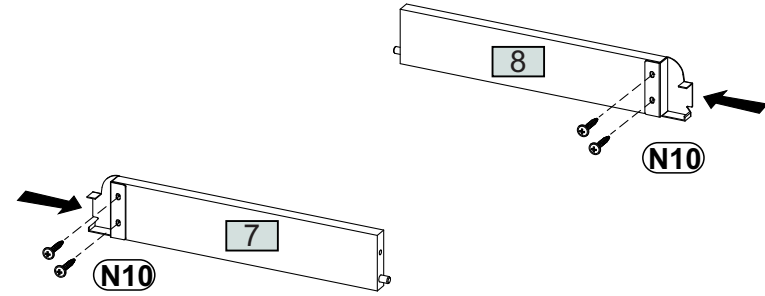
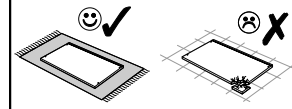
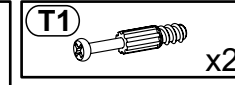
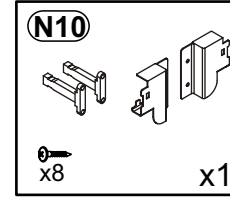
| Nr | Ausmaß | | | St | Colli |
|----|--------|-----|----|----|-------|
| 1 | 512 | 447 | 16 | 1 | 1 |
| 2 | 512 | 447 | 16 | 1 | 1 |
| 3 | 966 | 80 | 16 | 2 | 1 |
| 4 | 966 | 80 | 16 | 1 | 1 |
| 5 | 1000 | 448 | 16 | 1 | 1 |
| 6 | 994 | 258 | 16 | 1 | 1 |
| 7 | 331 | 68 | 16 | 1 | 1 |
| 8 | 331 | 68 | 16 | 1 | 1 |
| 9 | 391 | 84 | 16 | 1 | 1 |
| 10 | 391 | 84 | 16 | 1 | 1 |
| 11 | 391 | 336 | 16 | 2 | 1 |
| 12 | 175 | 84 | 16 | 1 | 1 |
| 13 | 994 | 258 | 16 | 1 | 1 |
| 14 | 868 | 119 | 16 | 1 | 1 |
| 15 | 879 | 391 | 16 | 1 | 1 |



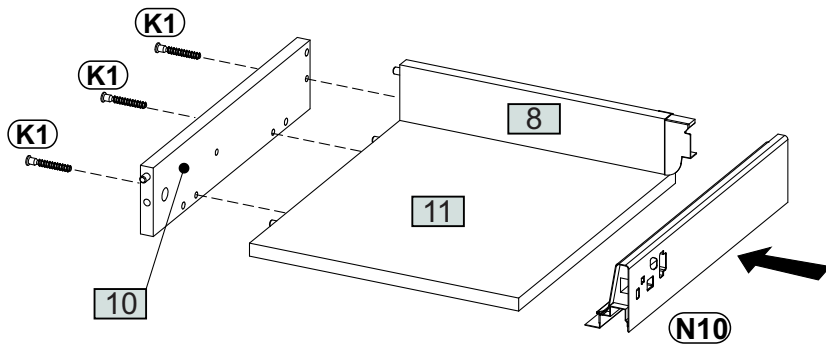
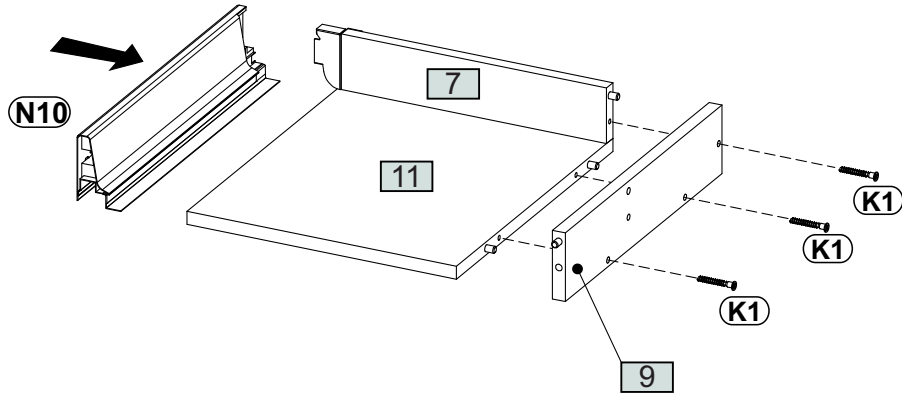
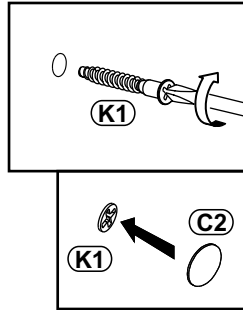
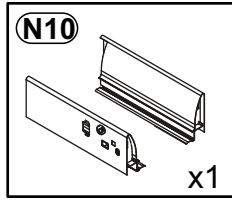
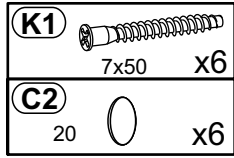
1



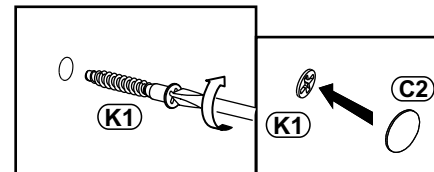
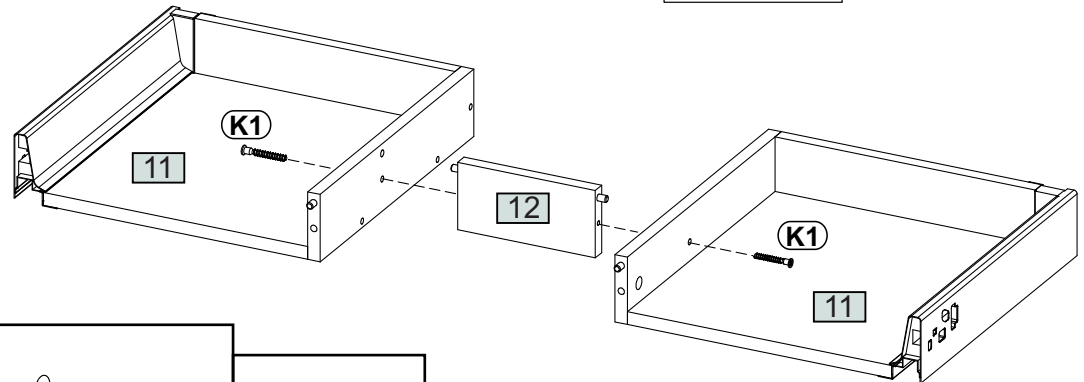
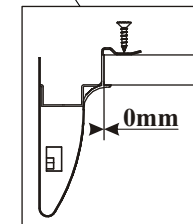
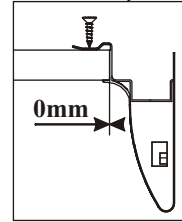
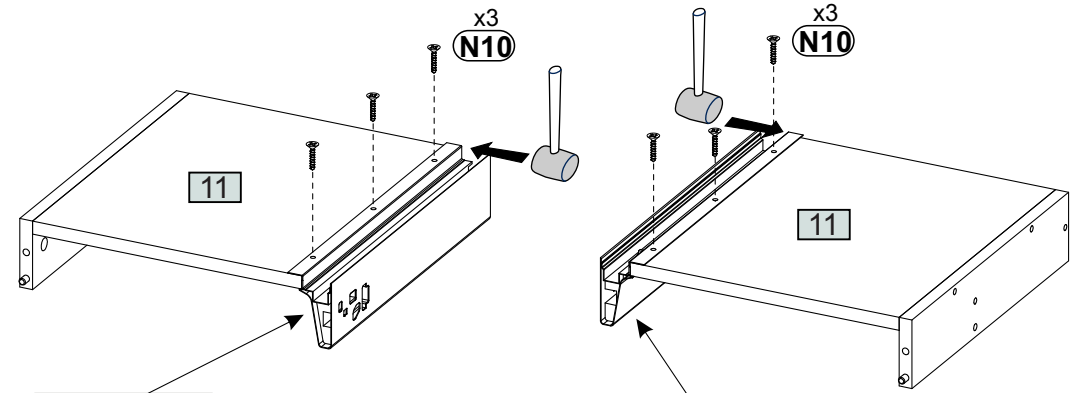
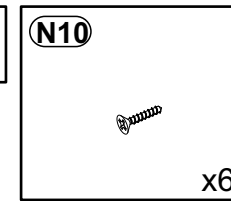
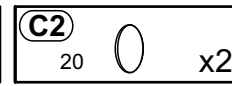
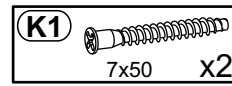
2



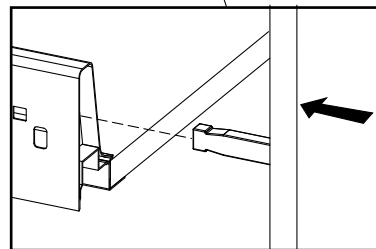
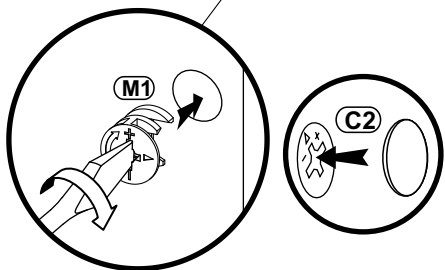
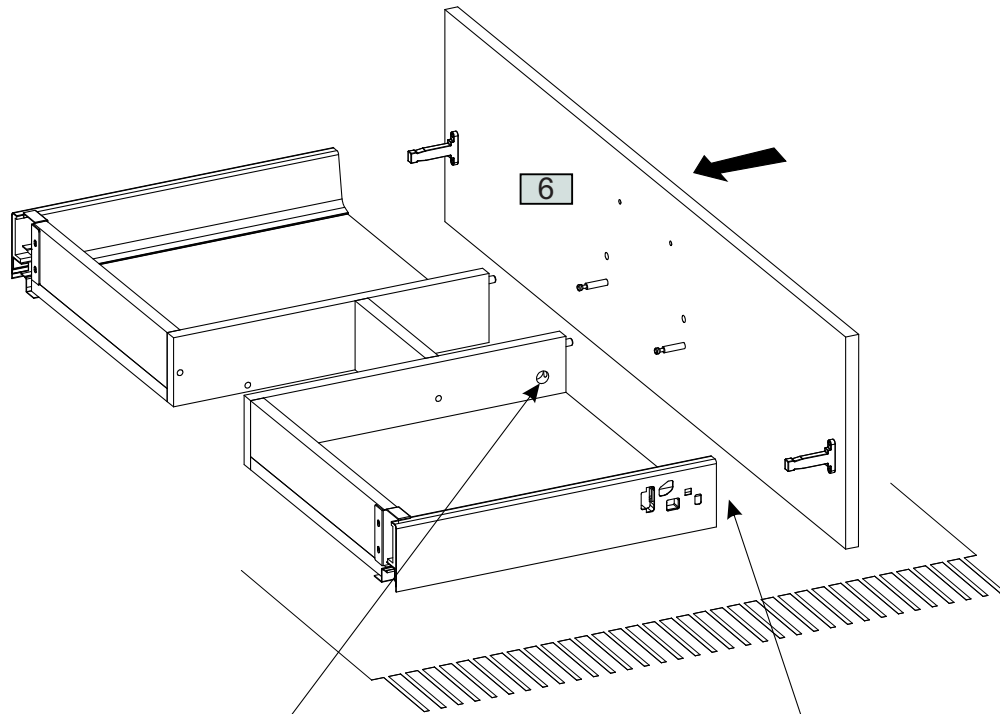
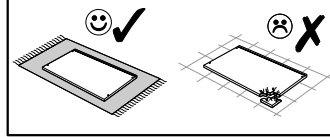
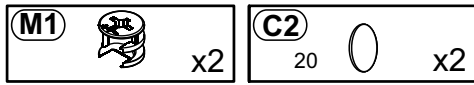
3



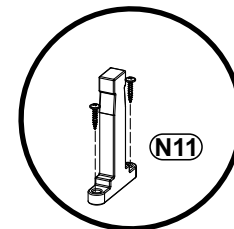
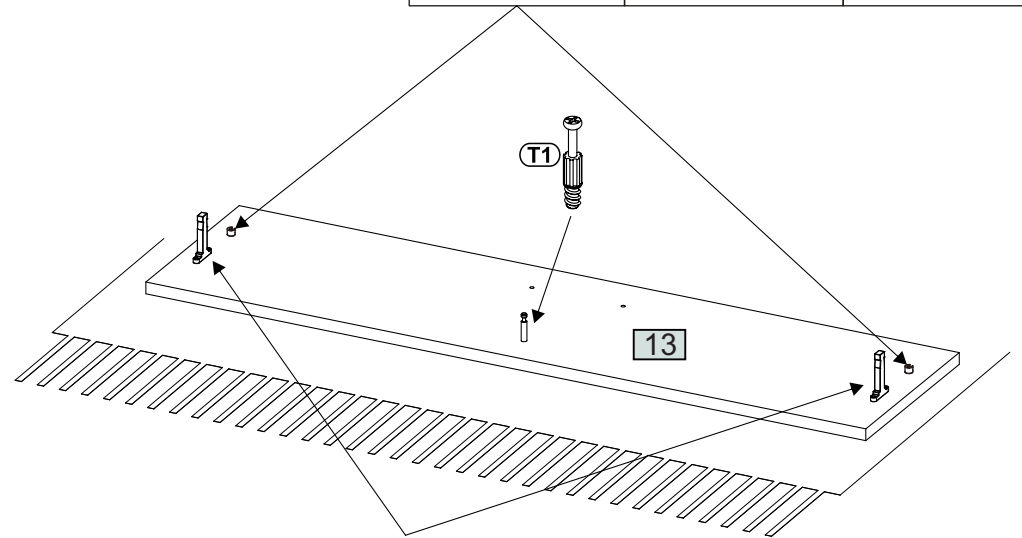
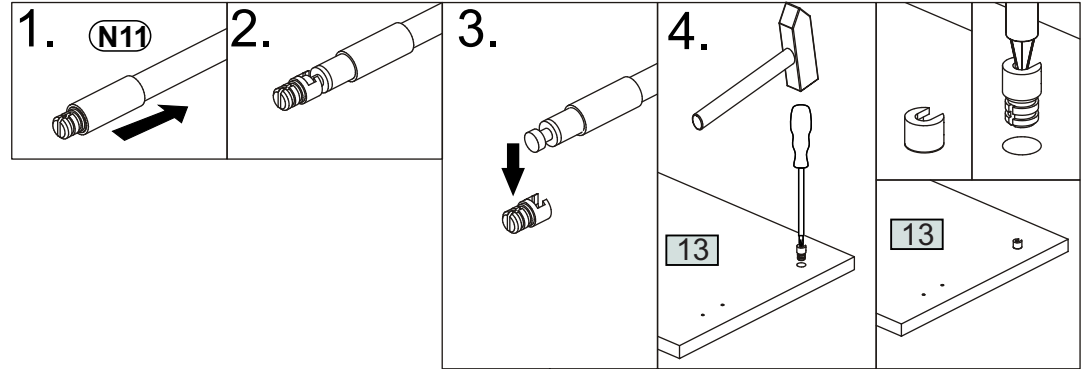
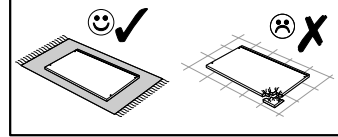
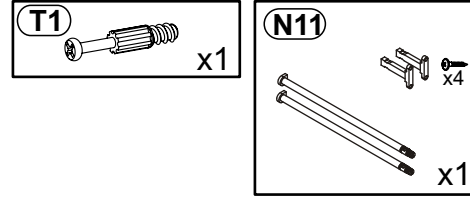
4

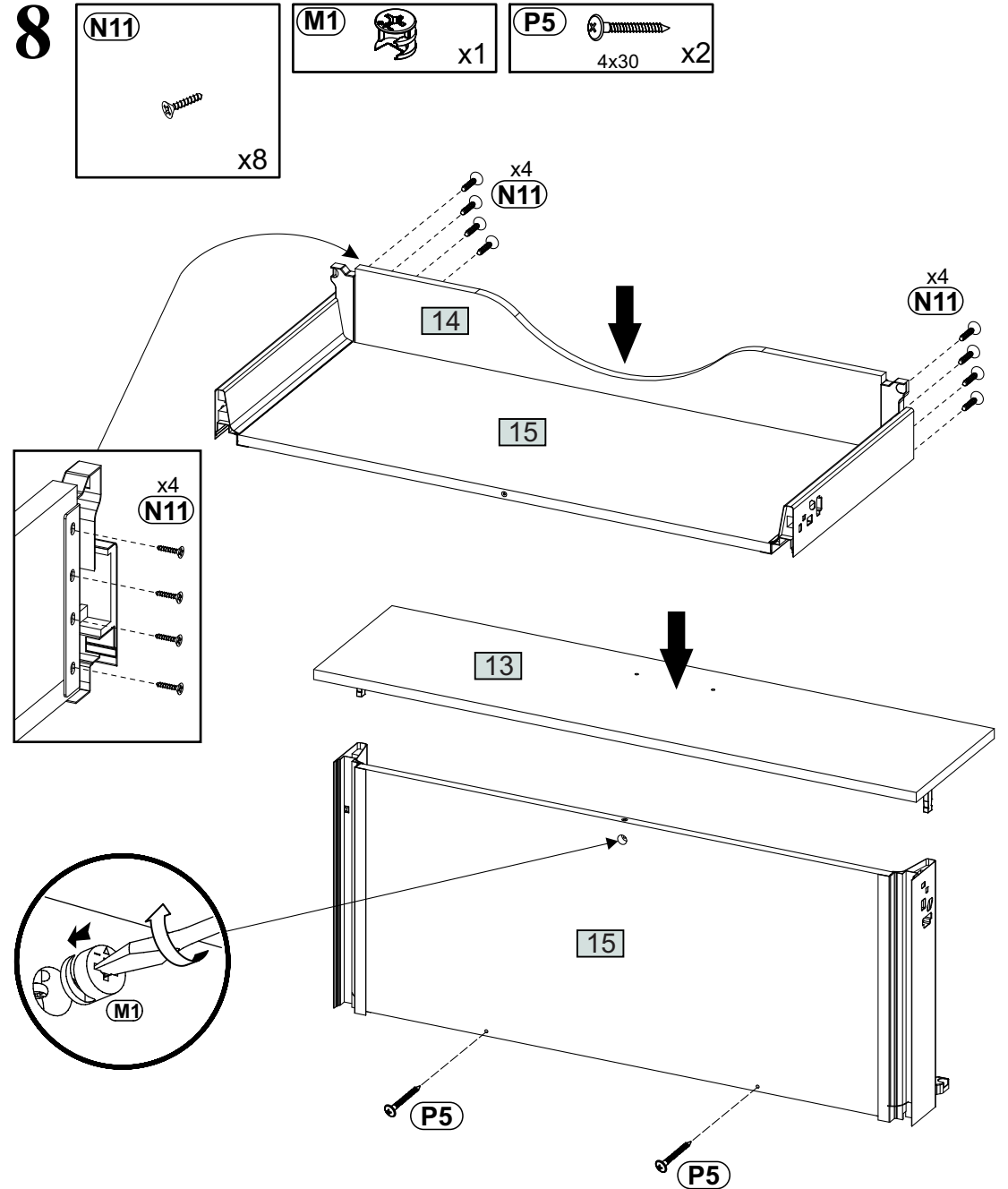
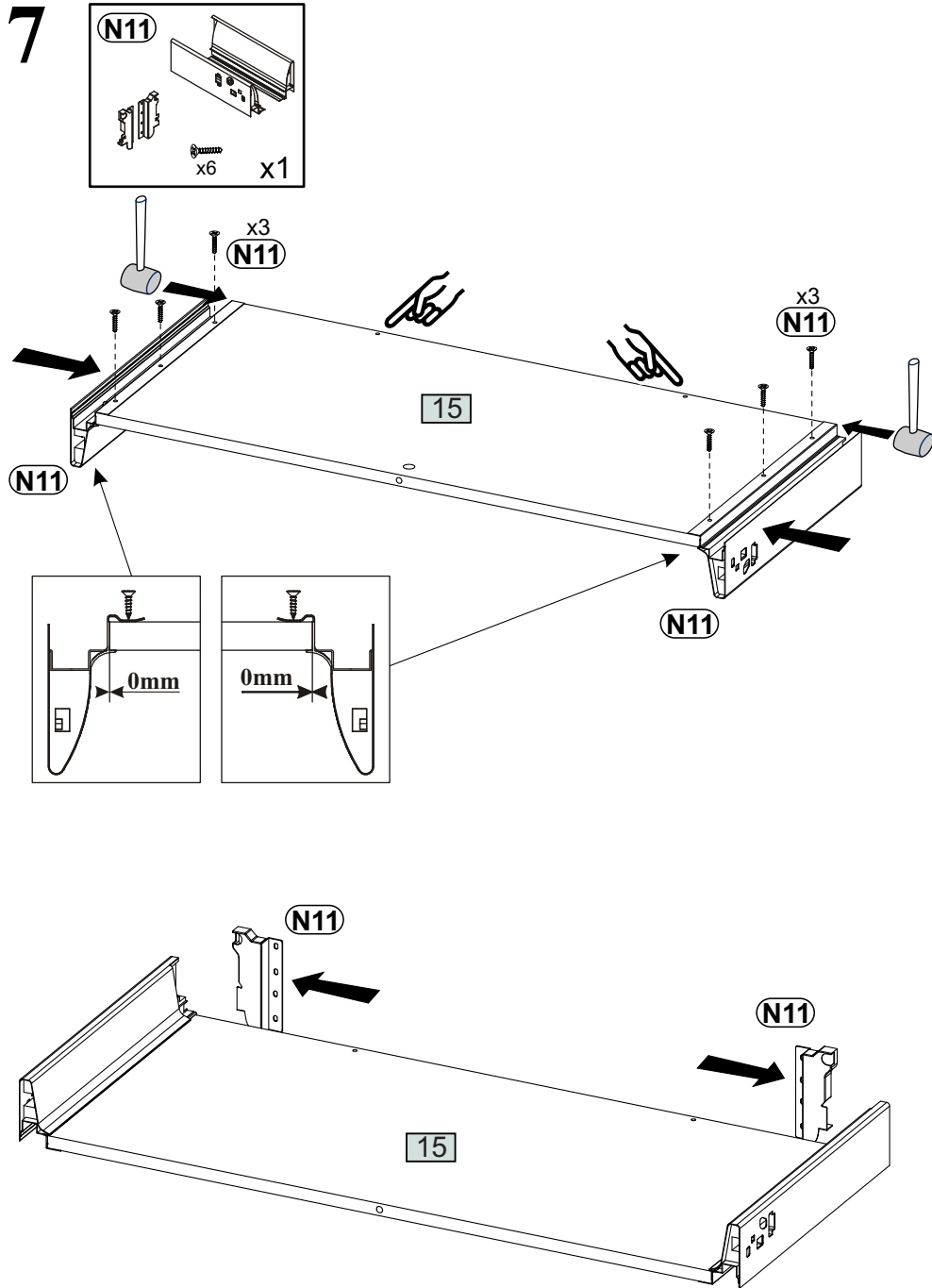


5

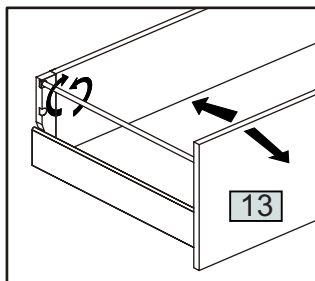
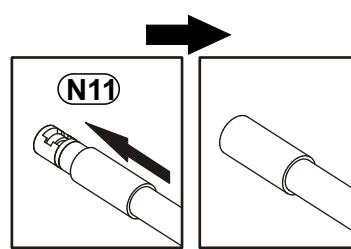
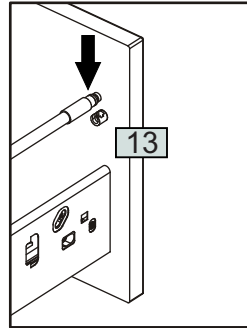
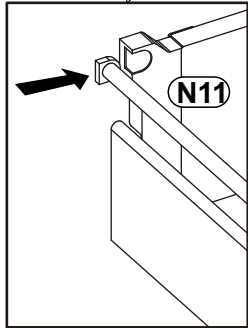
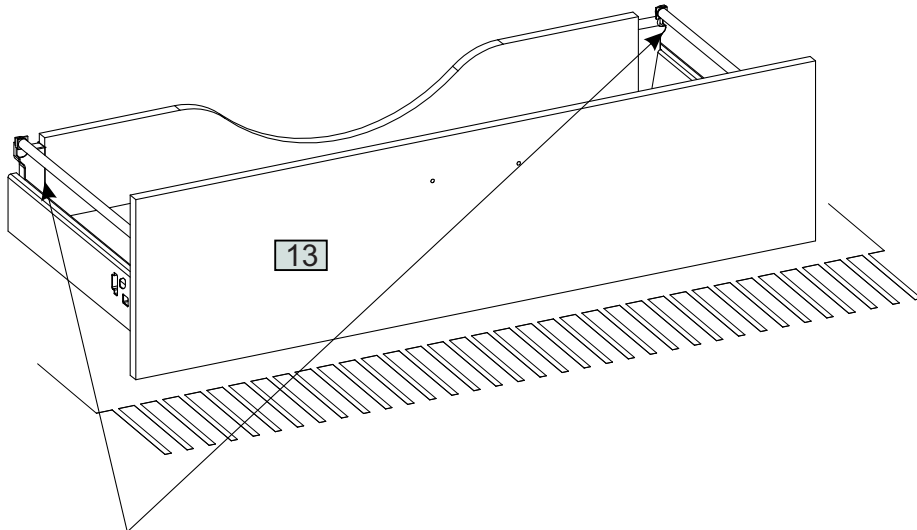
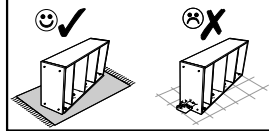
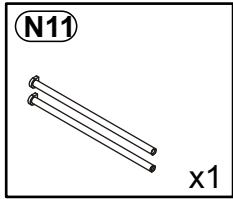


6

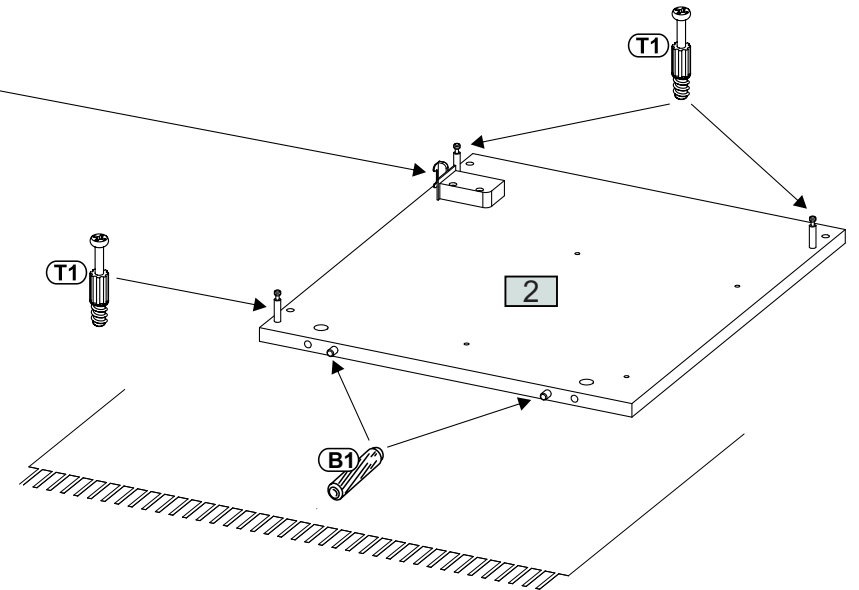
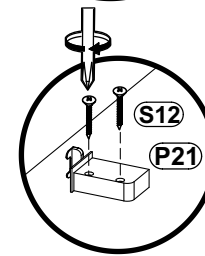
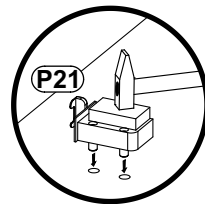
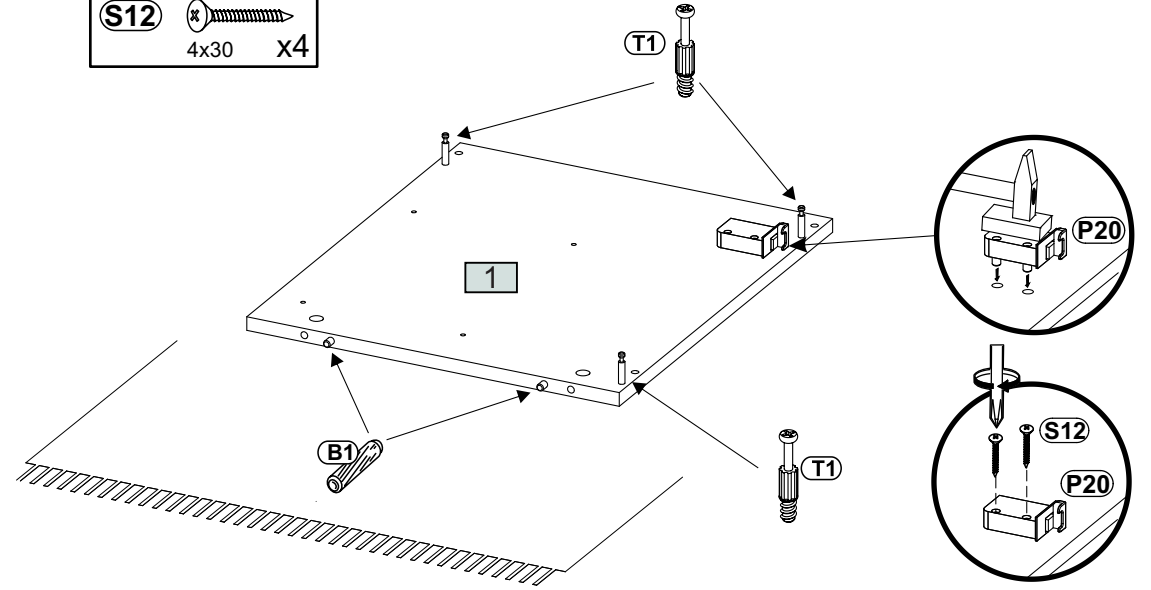
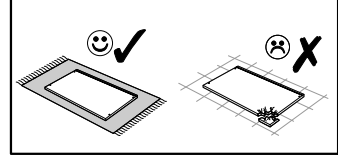
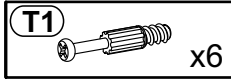
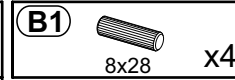
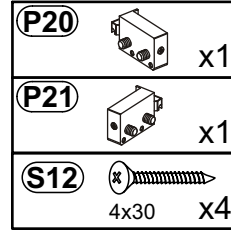




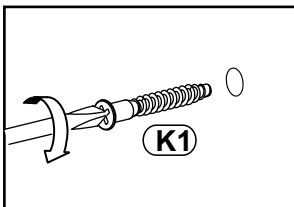
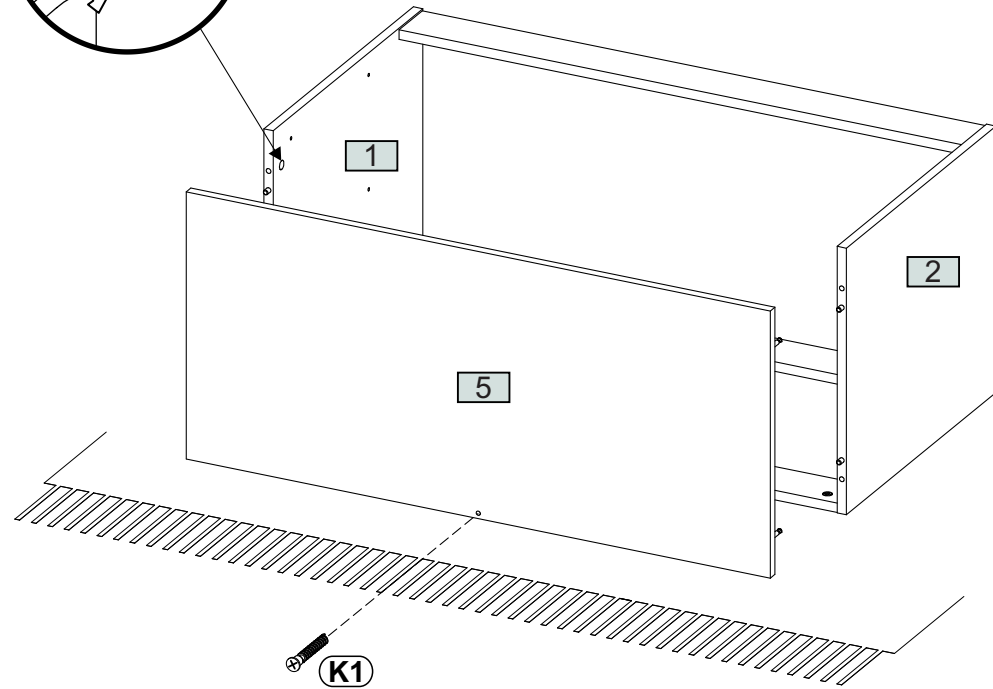
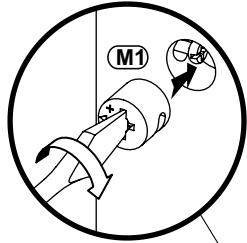
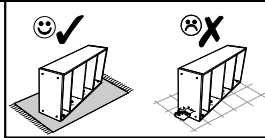
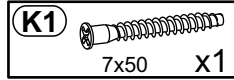
9



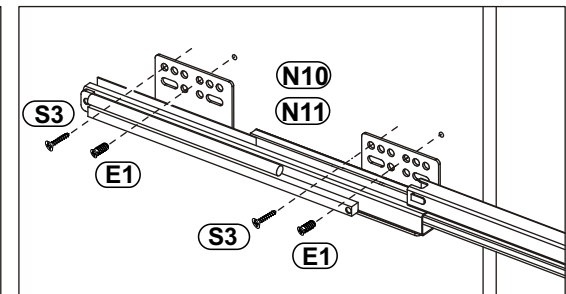
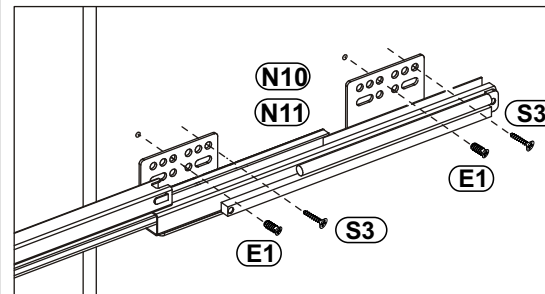
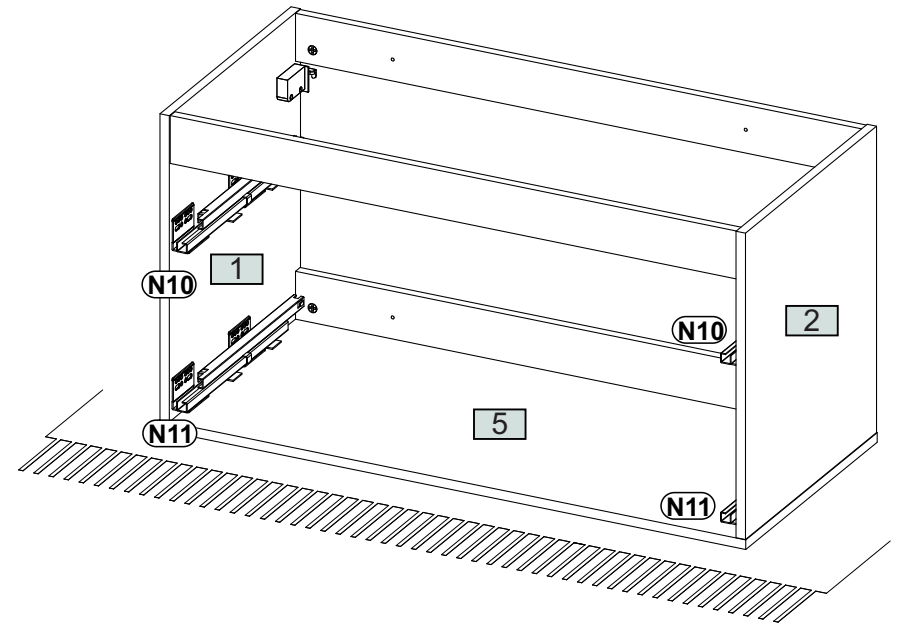
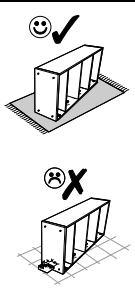
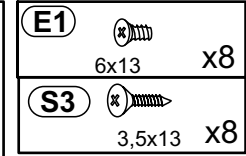
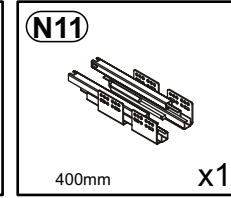
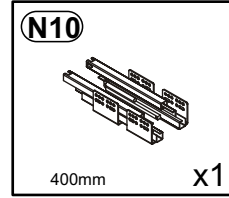
10



13

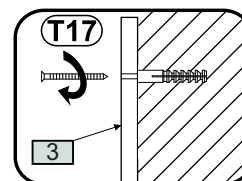
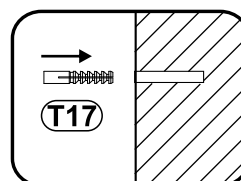
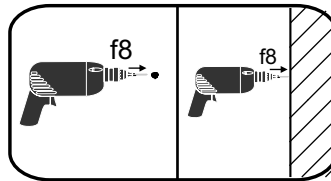
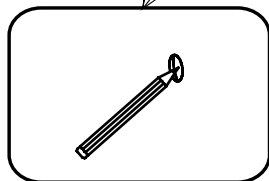
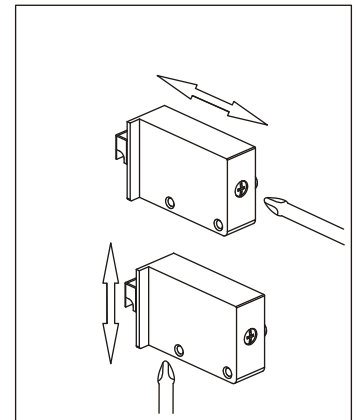
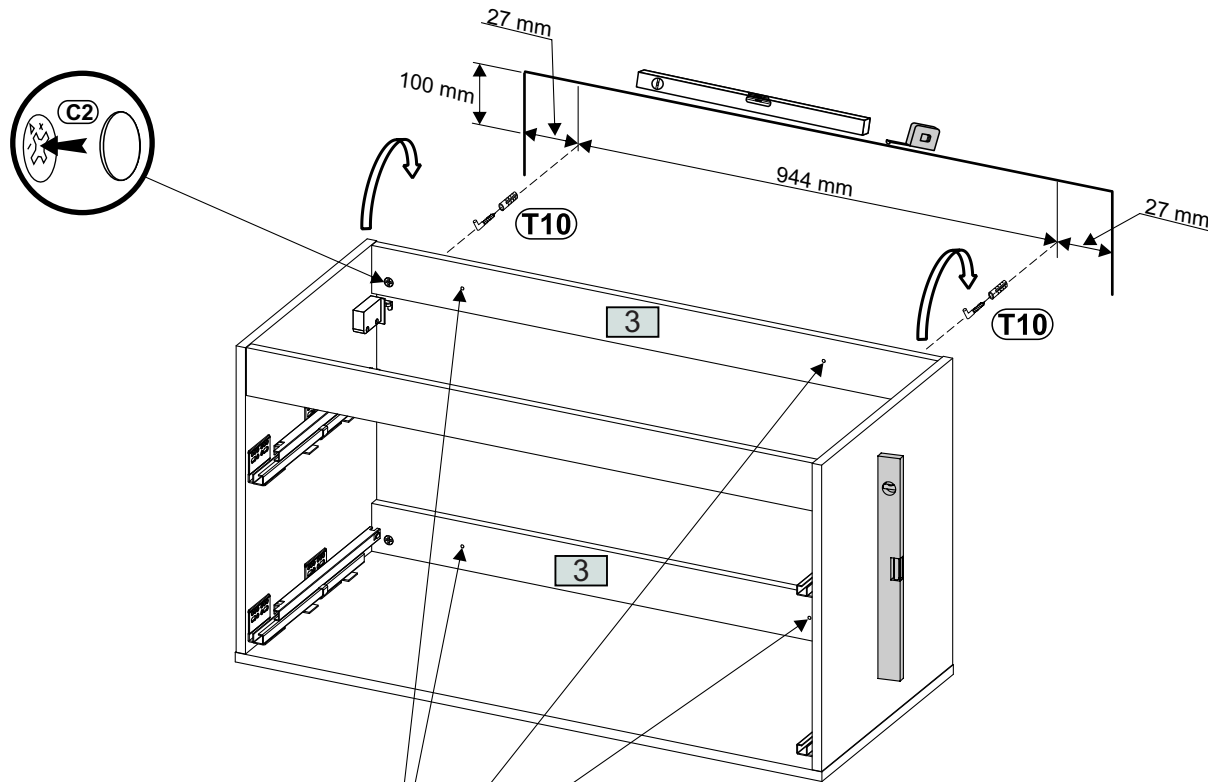
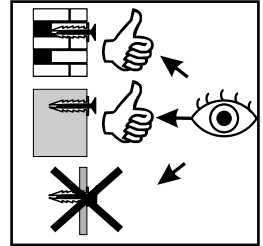
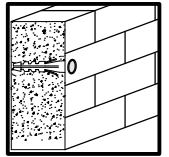
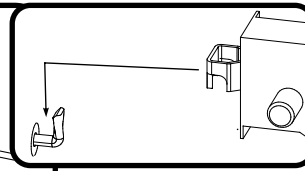
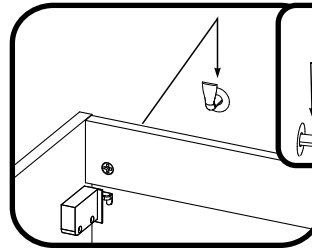
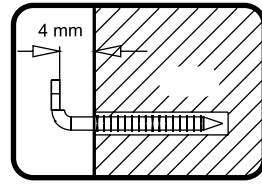
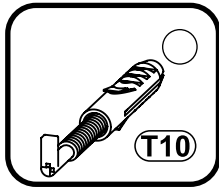
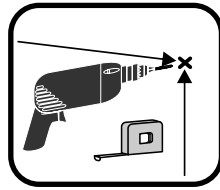


14

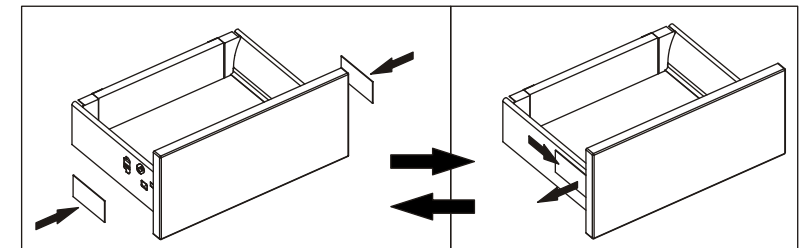
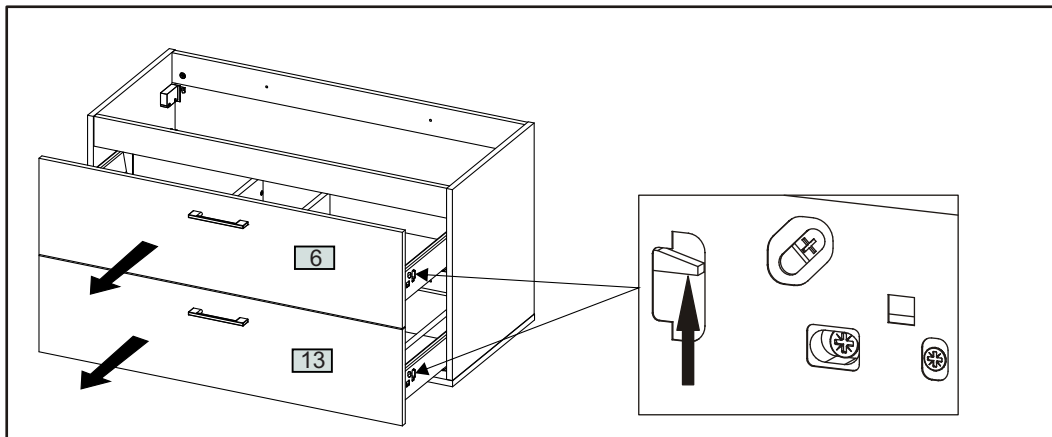
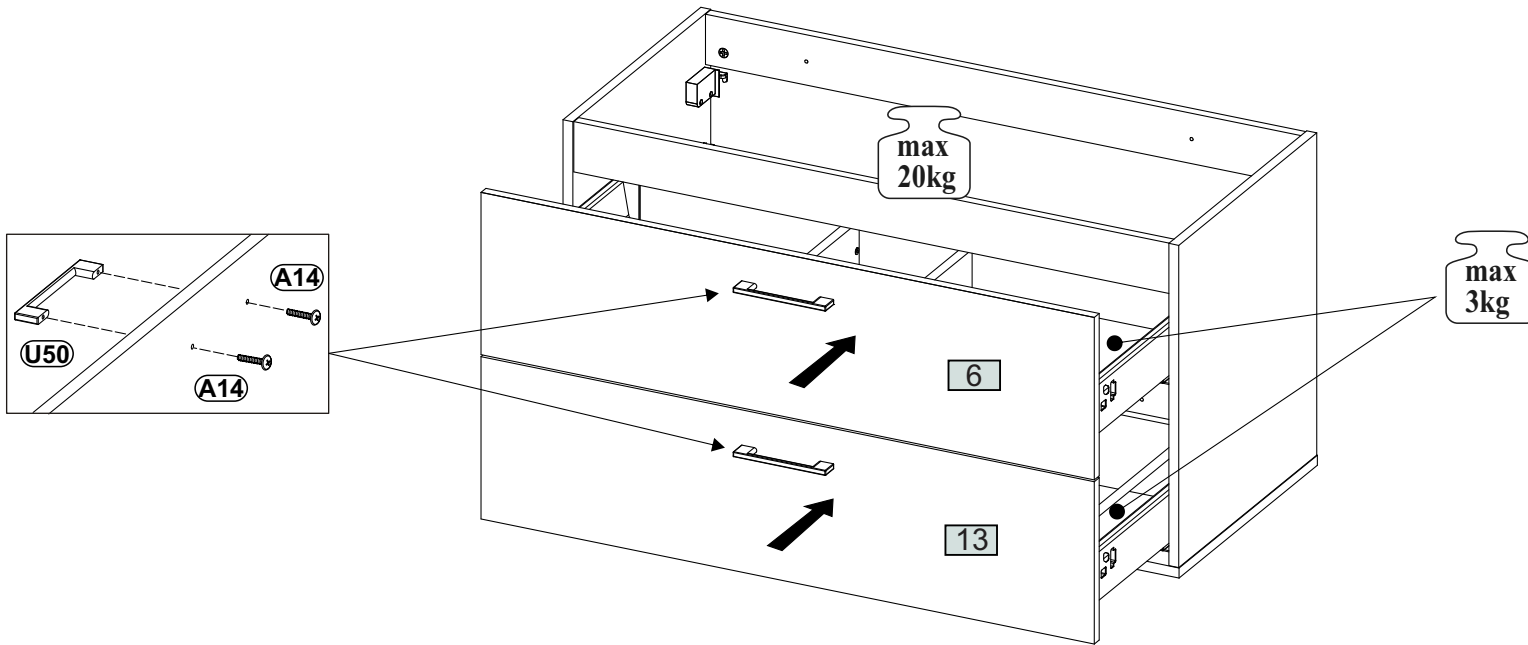
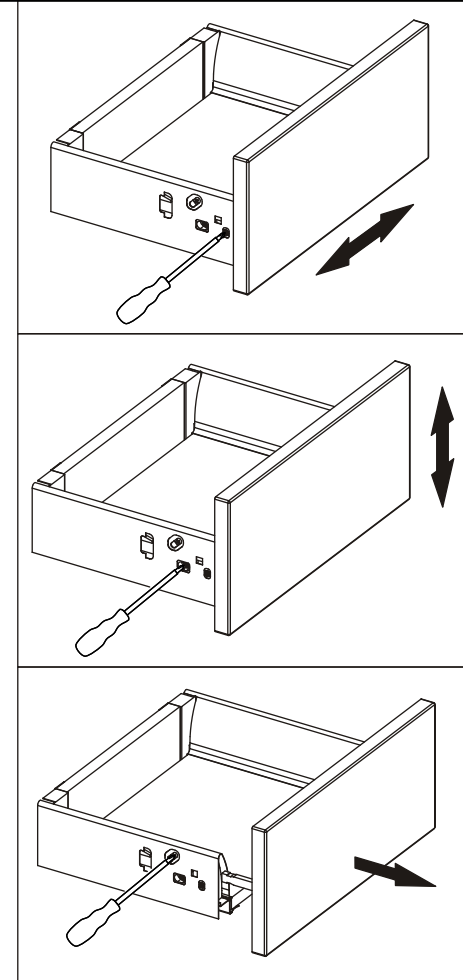
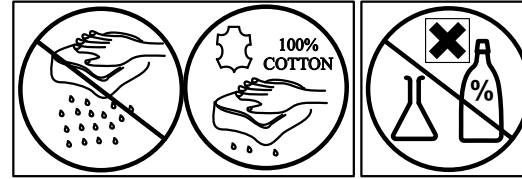
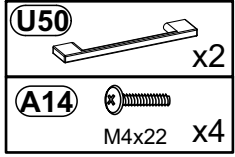


15

- (T10)** f8x50 x2
- f4,5x50
- (T17)** f8x50 x4
- 5x60
- (C2)** 20 x10



16



17

