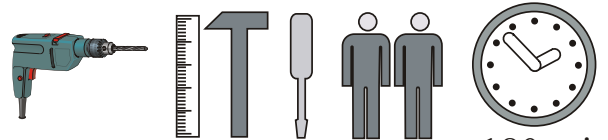
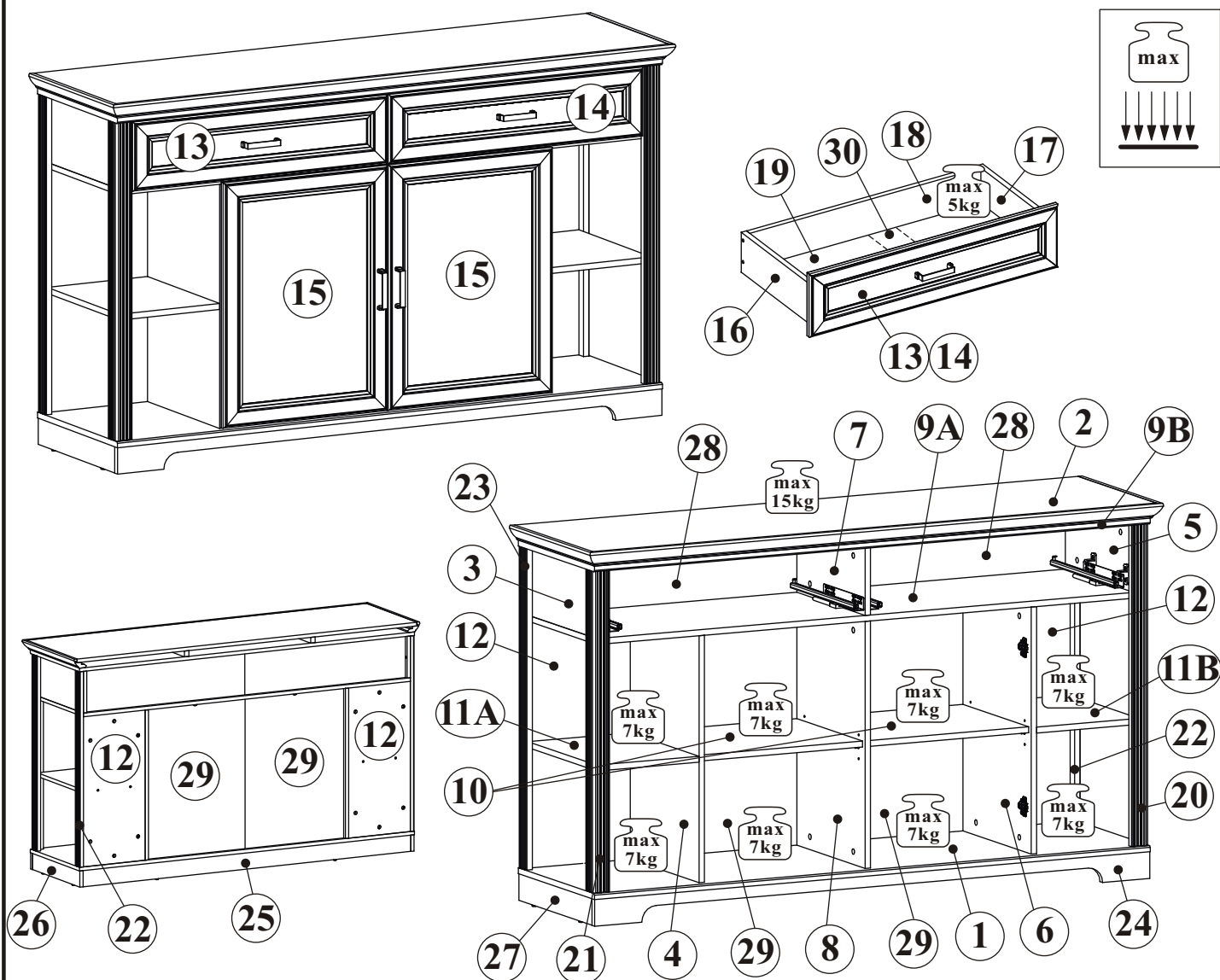


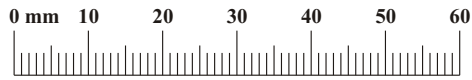
JASMIN 10G9_21



180 min

| NO | Dim. | | Col.-No | Qty |
|-----|------|-----|---------|-----|
| 1 | 1650 | 450 | 3 | 1 |
| 2 | 1703 | 476 | 2 | 1 |
| 3 | 185 | 423 | 3 | 1 |
| 4 | 665 | 423 | 4 | 1 |
| 5 | 185 | 423 | 3 | 1 |
| 6 | 665 | 423 | 4 | 1 |
| 7 | 185 | 403 | 3 | 1 |
| 8 | 665 | 403 | 3 | 1 |
| 9A | 1610 | 423 | 3 | 1 |
| 9B | 1650 | 450 | 2 | 1 |
| 10 | 477 | 388 | 1 | 2 |
| 11A | 304 | 406 | 1 | 1 |
| 11B | 304 | 406 | 1 | 1 |
| 12 | 665 | 304 | 1 | 2 |
| 13 | 770 | 188 | 4 | 1 |
| 14 | 770 | 188 | 4 | 1 |

| NO | Dim. | | Col.-No | Qty |
|----|------|-----|---------|-----|
| 15 | 668 | 496 | 4 | 2 |
| 16 | 350 | 120 | 1 | 2 |
| 17 | 350 | 120 | 1 | 2 |
| 18 | 716 | 106 | 1 | 2 |
| 19 | 354 | 728 | 1 | 2 |
| 20 | 866 | 49 | 3 | 1 |
| 21 | 866 | 49 | 3 | 1 |
| 22 | 866 | 43 | 3 | 1 |
| 23 | 866 | 43 | 3 | 1 |
| 24 | 1648 | 72 | 3 | 1 |
| 25 | 1614 | 72 | 3 | 1 |
| 26 | 433 | 72 | 1 | 1 |
| 27 | 433 | 72 | 1 | 1 |
| 28 | 795 | 195 | 1 | 2 |
| 29 | 675 | 491 | 1 | 2 |
| 30 | 349 | 80 | 4 | 2 |



| | |
|-----|-----|
| G12 | |
| x9 | Ø14 |

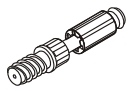
| | | | | | |
|--------------------|-------------------------|-------------------------|--------------------|-------------------------|----------------------|
| A1 x51 Ø8x36 | B4 x50 | B5 x54 Ø15x12 | G5 x54 | B11 x24 Ø7x50 | B14 x13 Ø7x30 |
| E7 x4 | E8 x4 | C19 x4 | D34 x4 M4x16 | D4 x4 M4x30 | G4 x20 |
| QU x2 L-350 | D20 x8 ESØ6,3x9,5 | D10 x22 USØ3,5x13 | H1 x4 | EK6 x8 EKØ6,3x13 | UP6 x4 UPØ4x30 |
| KM1 x3 | I2 x6 | S1 x28 | G16 x5 | UP13 x17 UPØ3x16 | G7 x8 |
| B6 x2 Ø7x76 | L1 x2 | KR1 x2 | G2 x1 | UP9 x12 UPØ3,5x16 | I9 x3 H-60 mm. |

| | | |
|--|--|--|
| | | |
|--|--|--|

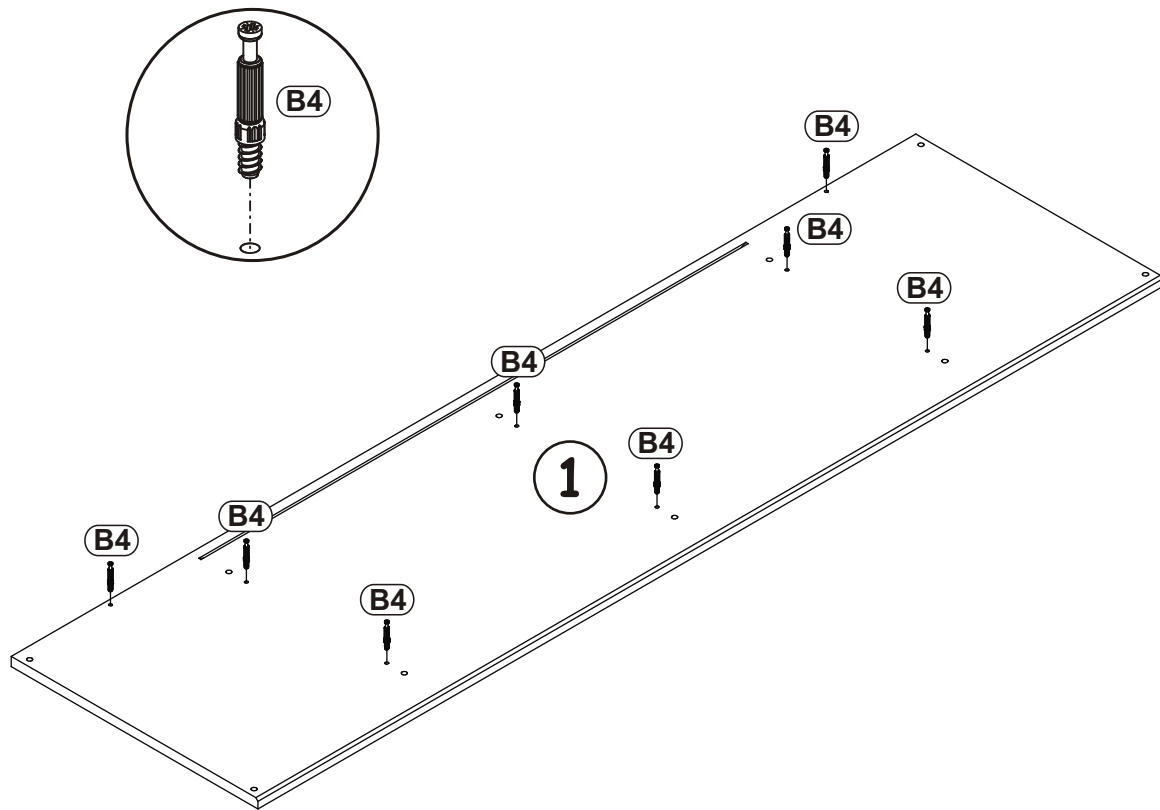
| | | | |
|--|--|--|--|
| | | | |
|--|--|--|--|

| | | | | | |
|--|--|--|--|--|--|
| | | | | | |
|--|--|--|--|--|--|

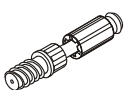
| | | |
|--|--|--|
| | | |
|--|--|--|

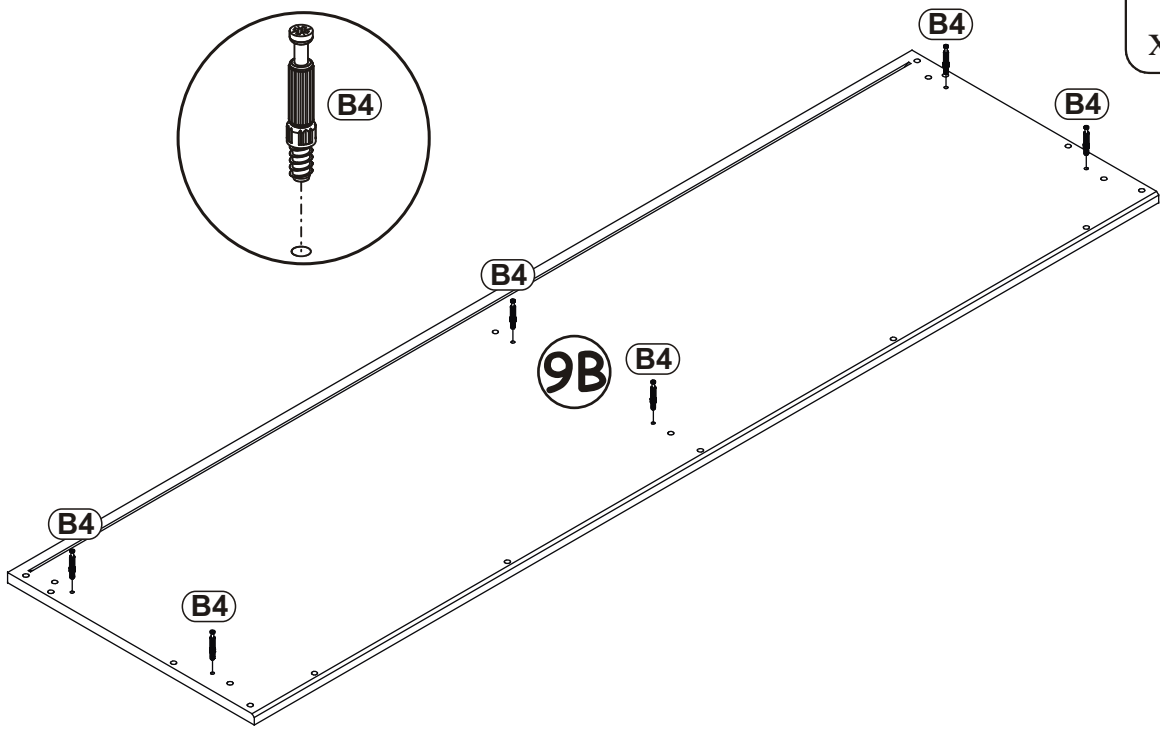
| | |
|----|---|
| B4 |  |
| x8 | |

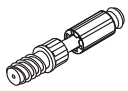
1



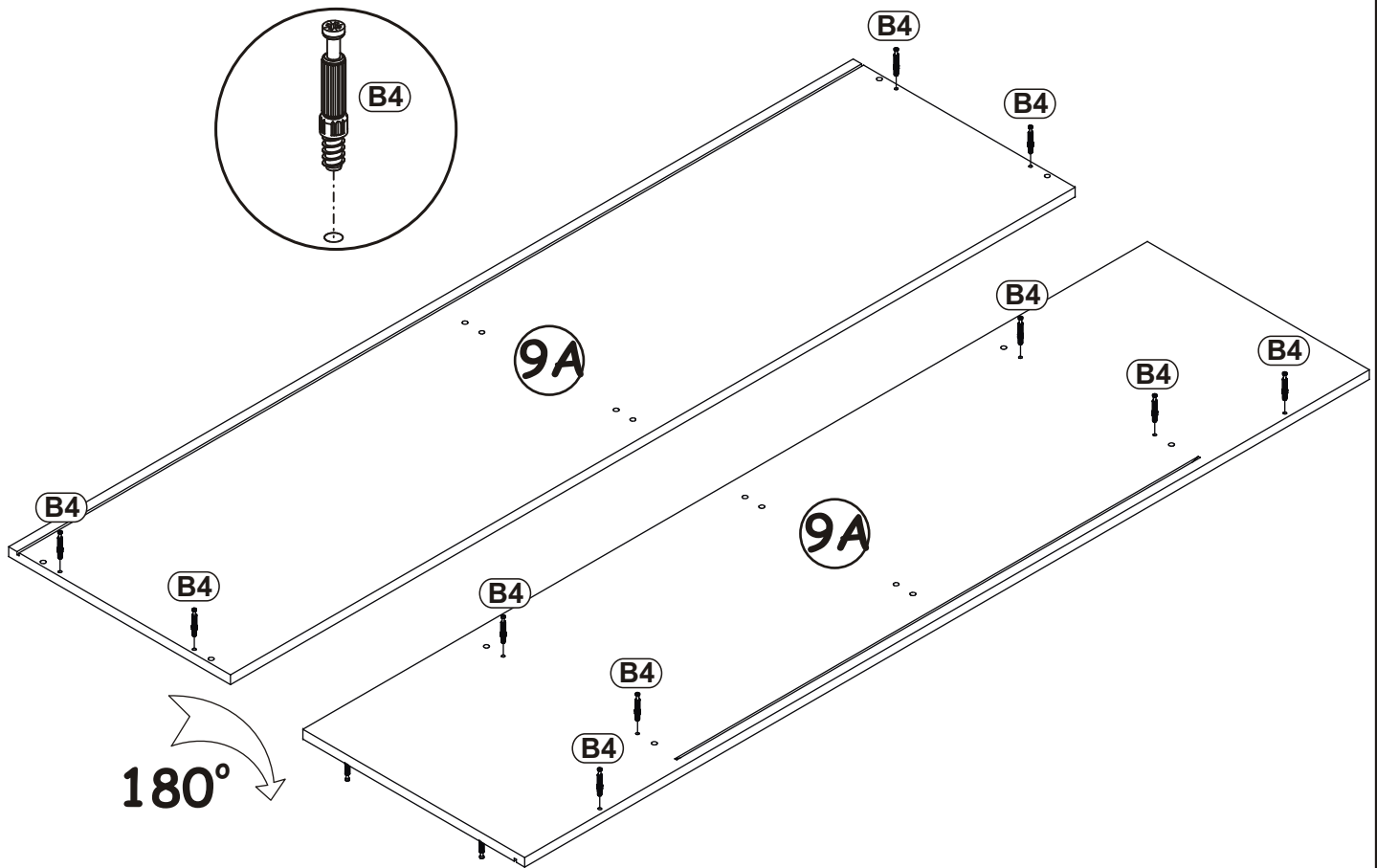
2

| | |
|----|---|
| B4 |  |
| x6 | |




| | |
|-----|---|
| B4 |  |
| x10 | |

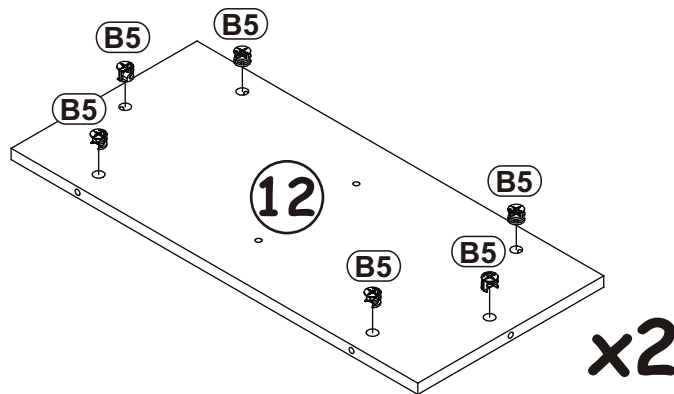
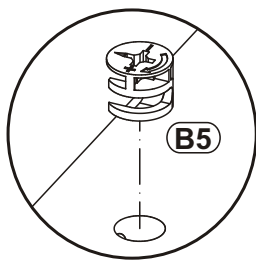
3



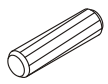
4


| | |
|-----|---|
| B5 |  |
| x12 | |

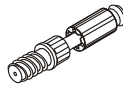
ø15x12

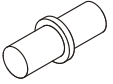


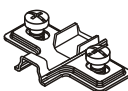
5

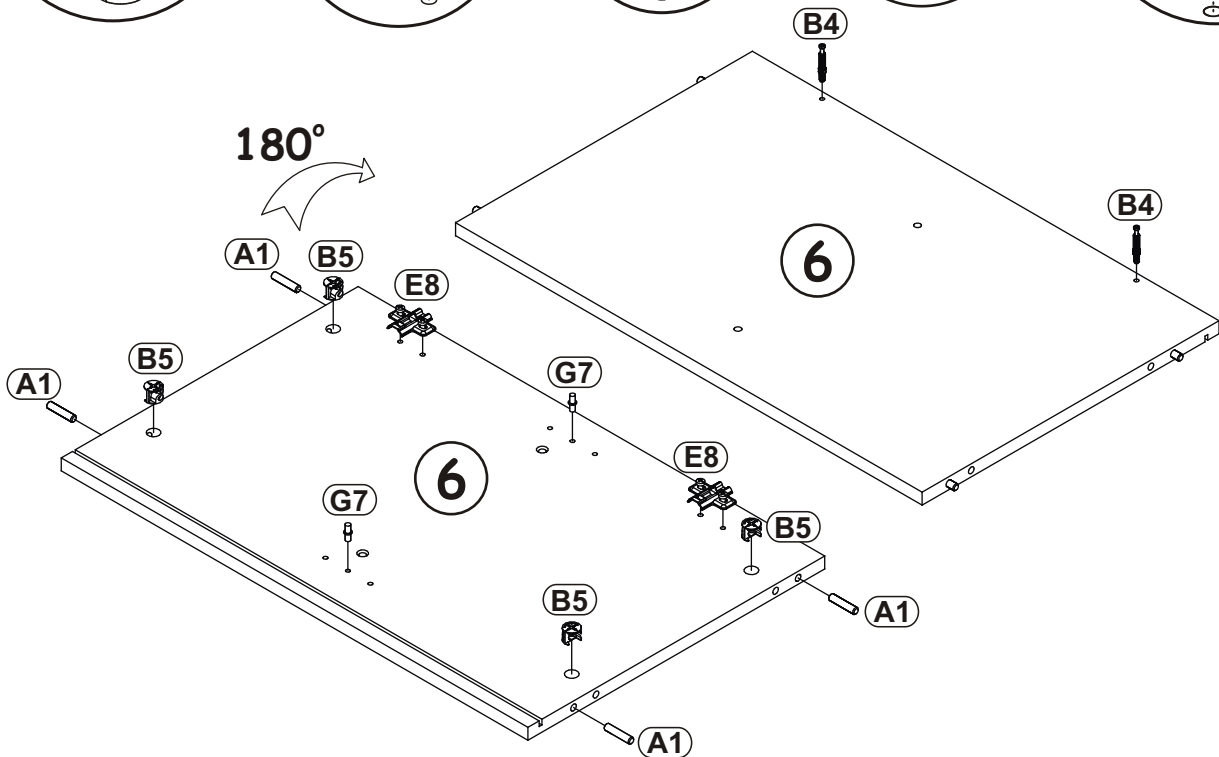
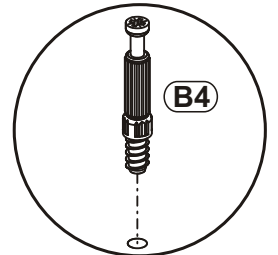
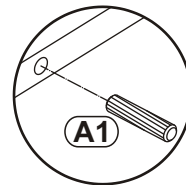
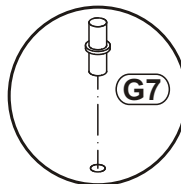
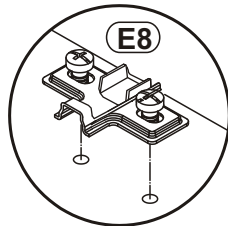
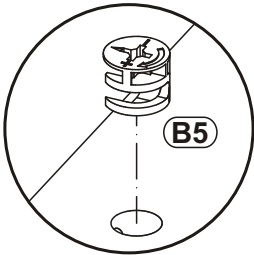
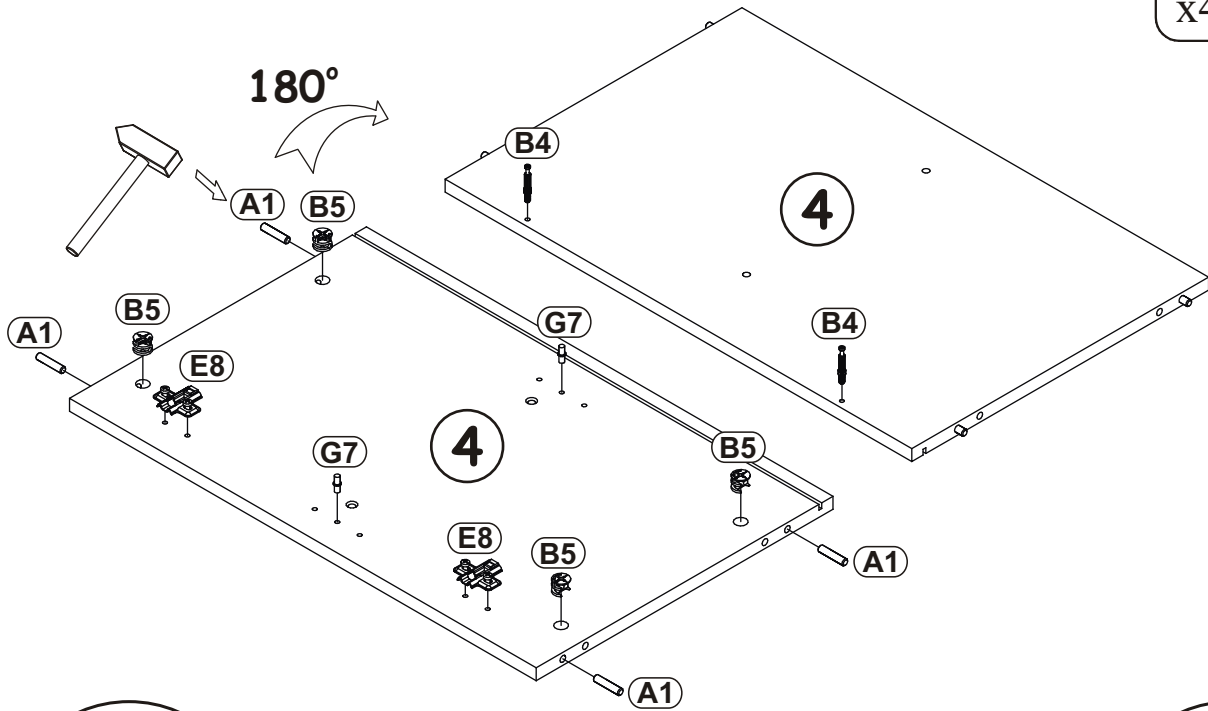
| | |
|----|---|
| A1 |  |
| x8 | ø8x36 |

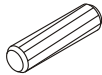
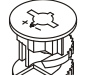
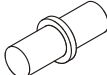
| | |
|----|---|
| B5 |  |
| x8 | ø15x12 |

| | |
|----|---|
| B4 |  |
| x4 | |

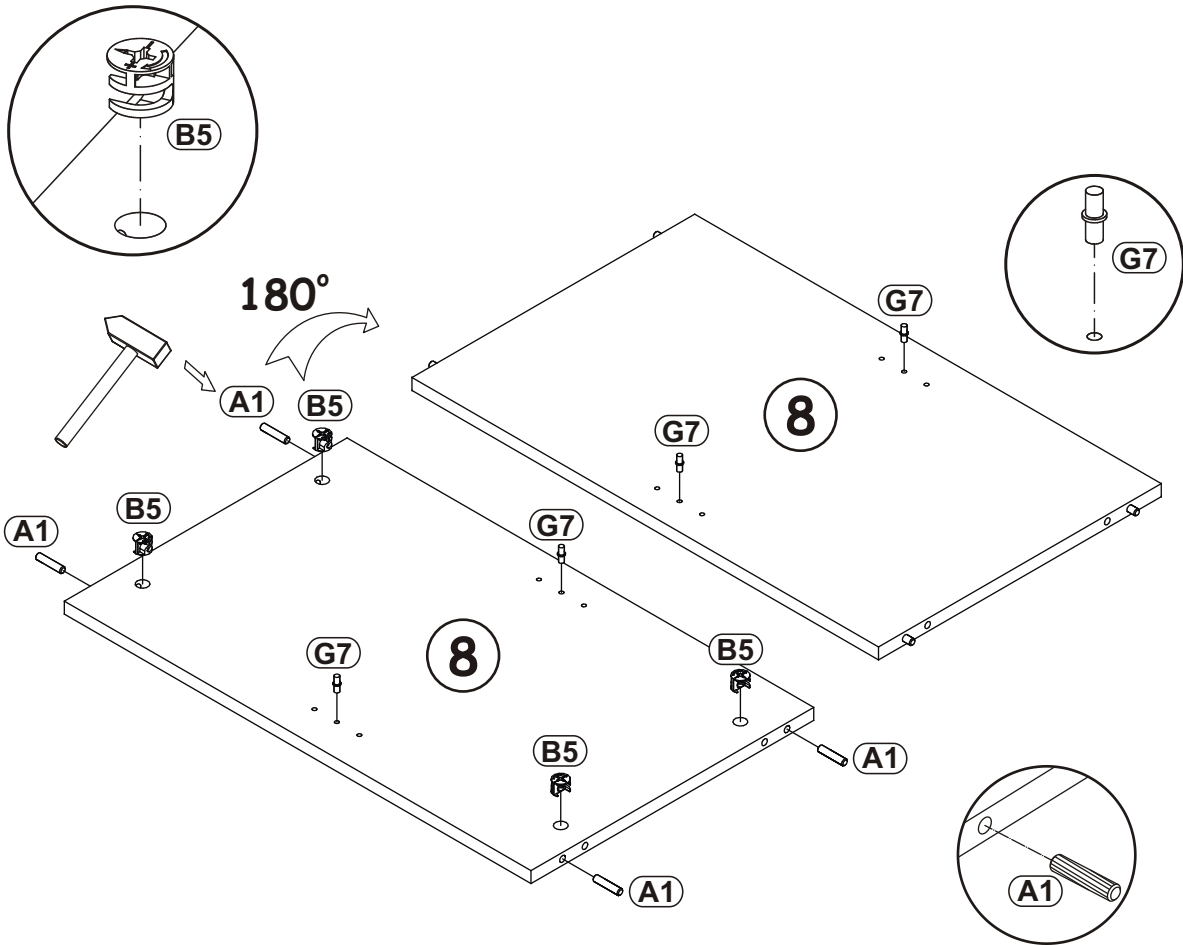
| | |
|----|---|
| G7 |  |
| x4 | |

| | |
|----|---|
| E8 |  |
| x4 | |




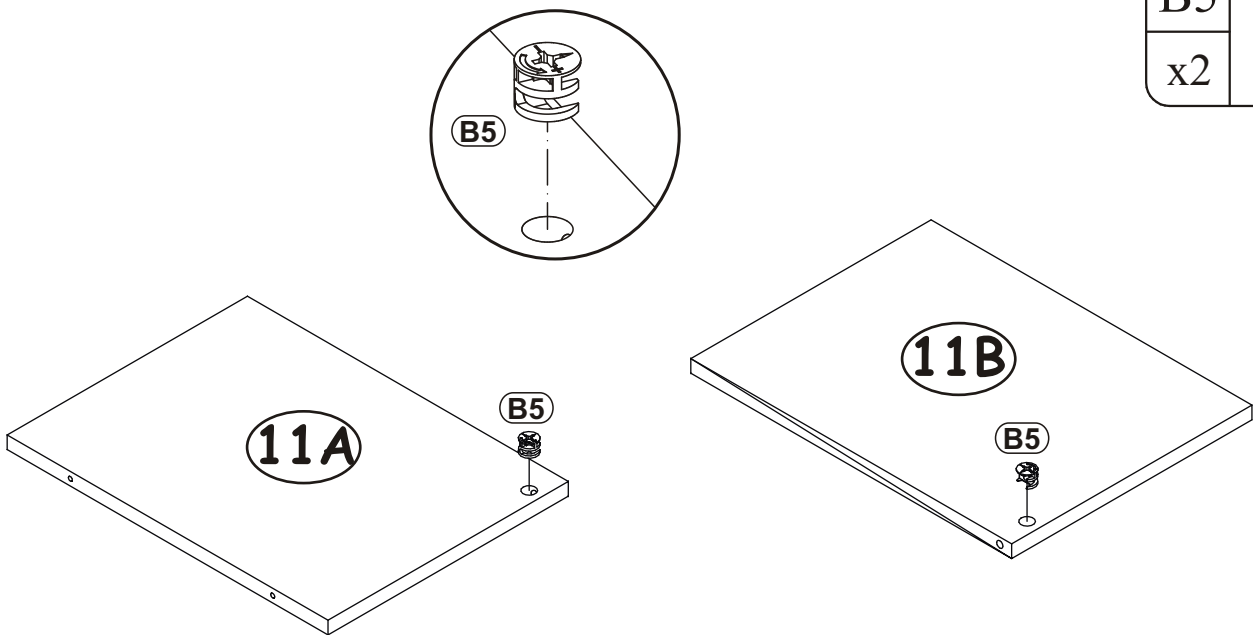
| | | | | | |
|----|--|----|--|----|---|
| A1 |  | B5 |  | G7 |  |
| x4 | ø8x36 | x4 | ø15x12 | x4 | |

6

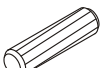



7

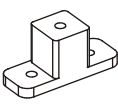
| | |
|----|---|
| B5 |  |
| x2 | ø15x12 |




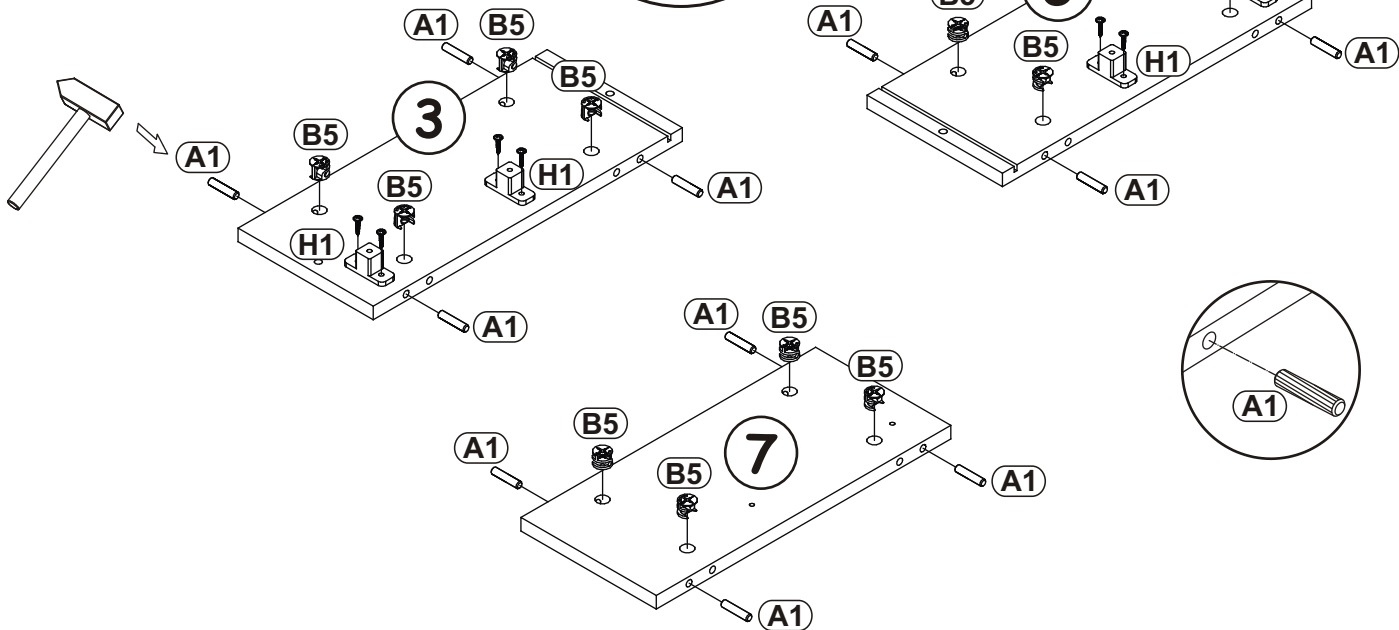
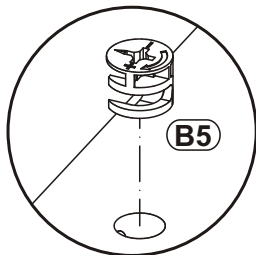
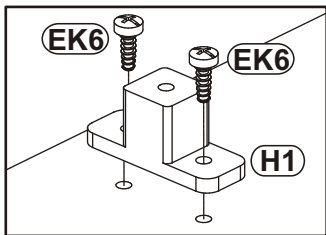
8

| | |
|-----|---|
| A1 |  |
| x12 | ø8x36 |

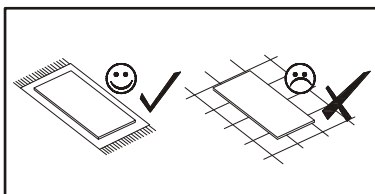
| | |
|-----|---|
| B5 |  |
| x12 | ø15x12 |

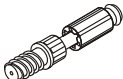
| | |
|----|--|
| H1 |  |
| x4 | |

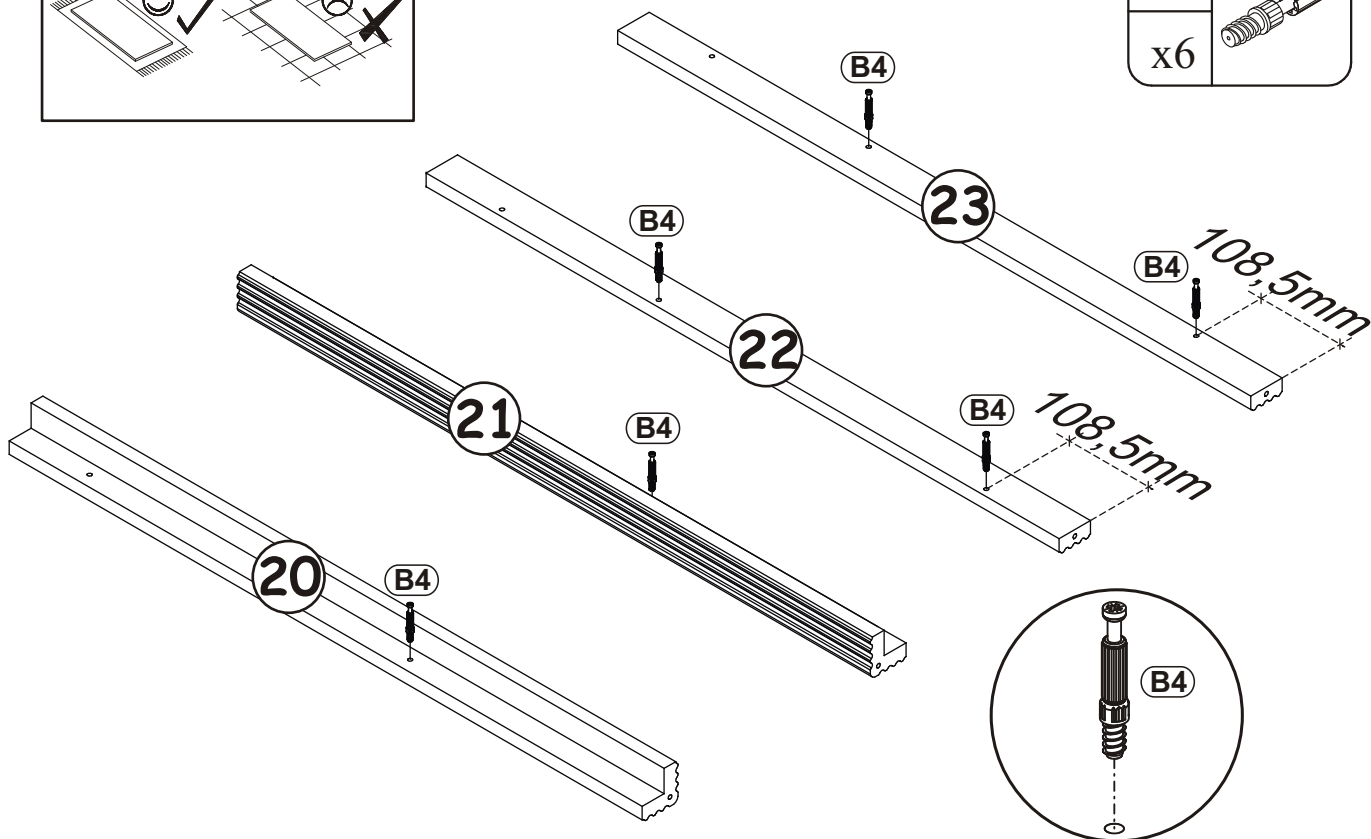
| | |
|-----|--|
| EK6 |  |
| x8 | EK06,3x13 |



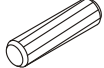
9

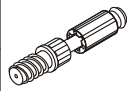


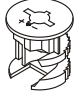
| | |
|----|---|
| B4 |  |
| x6 | |

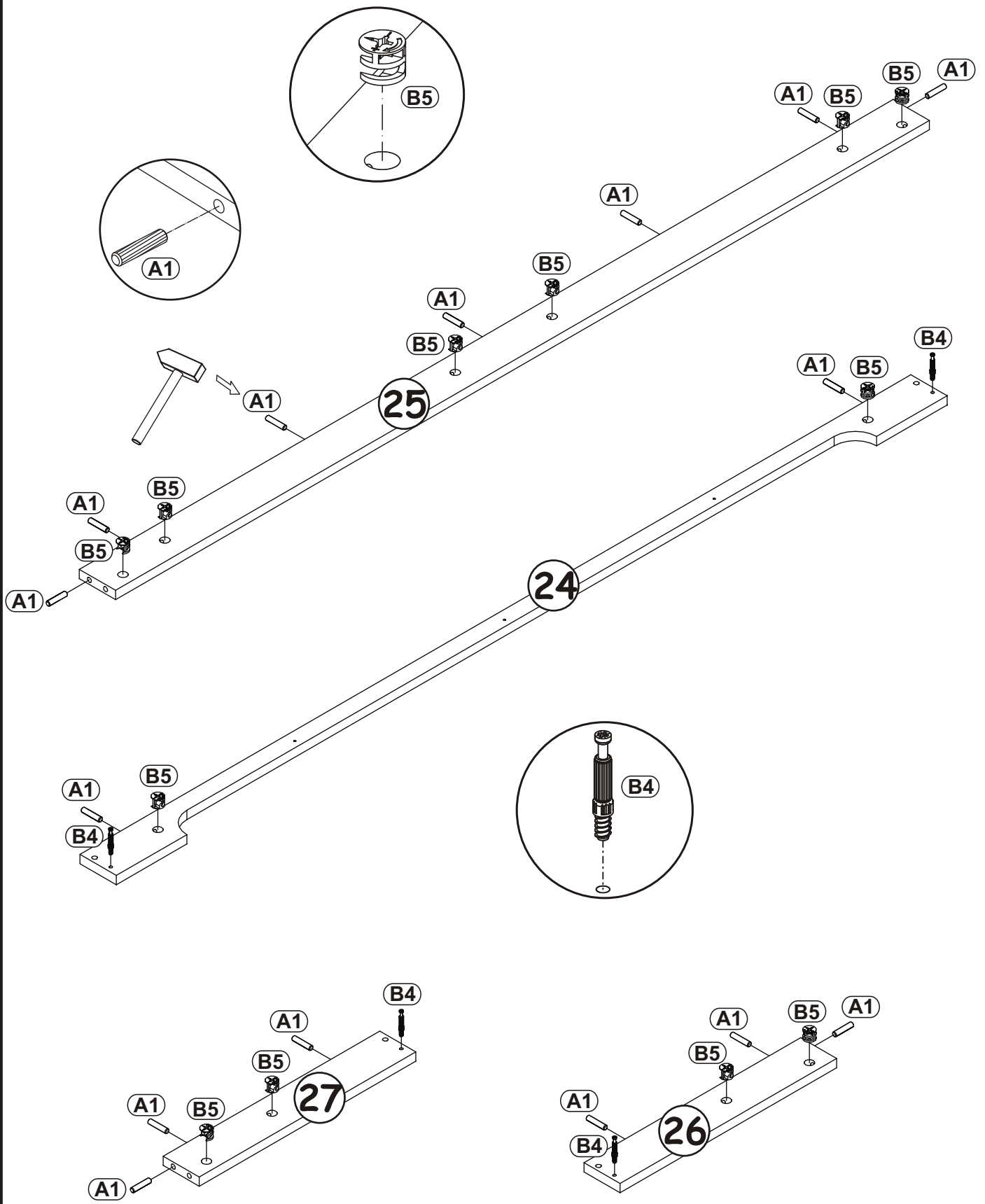


10

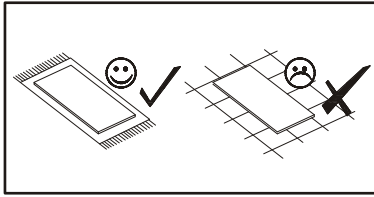
| | |
|-----|--|
| A1 |  |
| x15 | ø8x36 |

| | |
|----|---|
| B4 |  |
| x4 | |

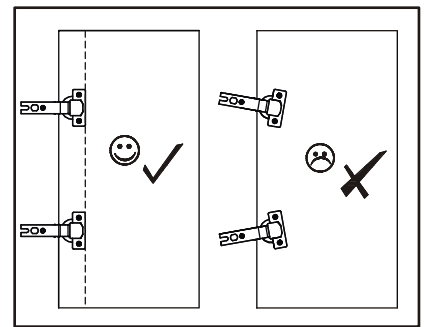
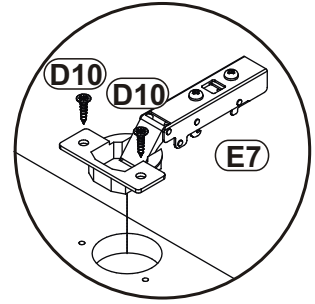
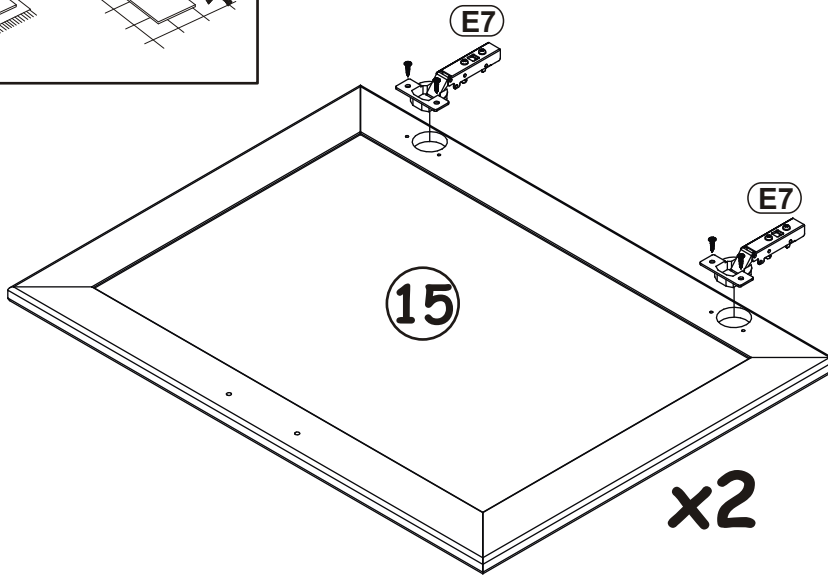
| | |
|-----|---|
| B5 |  |
| x12 | ø15x12 |



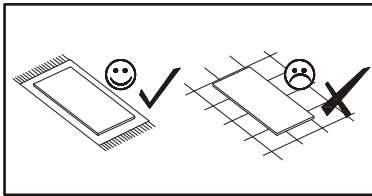
11



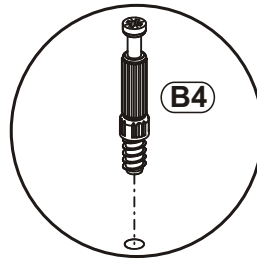
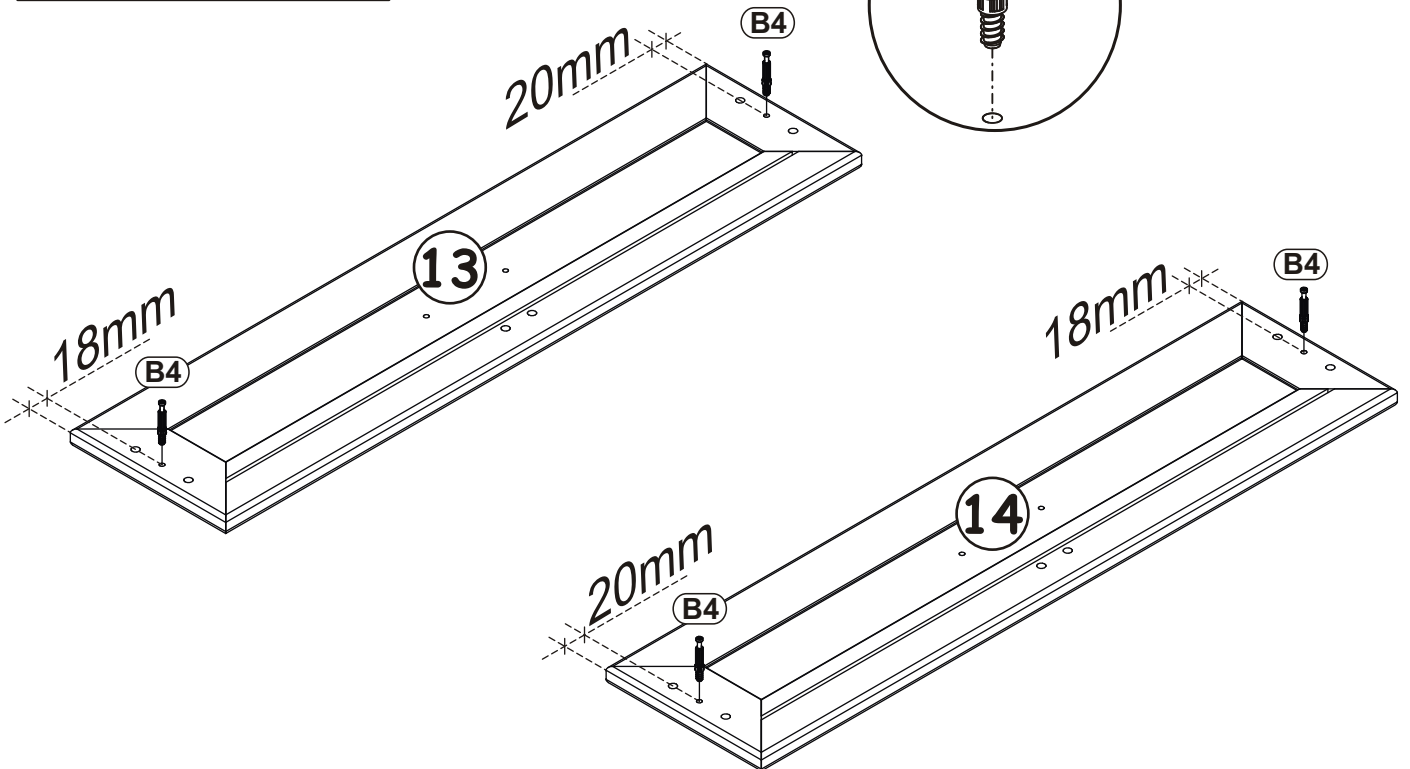
| | | | |
|----|--|-----|-----------|
| E7 | | D10 | |
| x4 | | x8 | USØ3,5x13 |



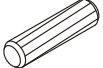

12

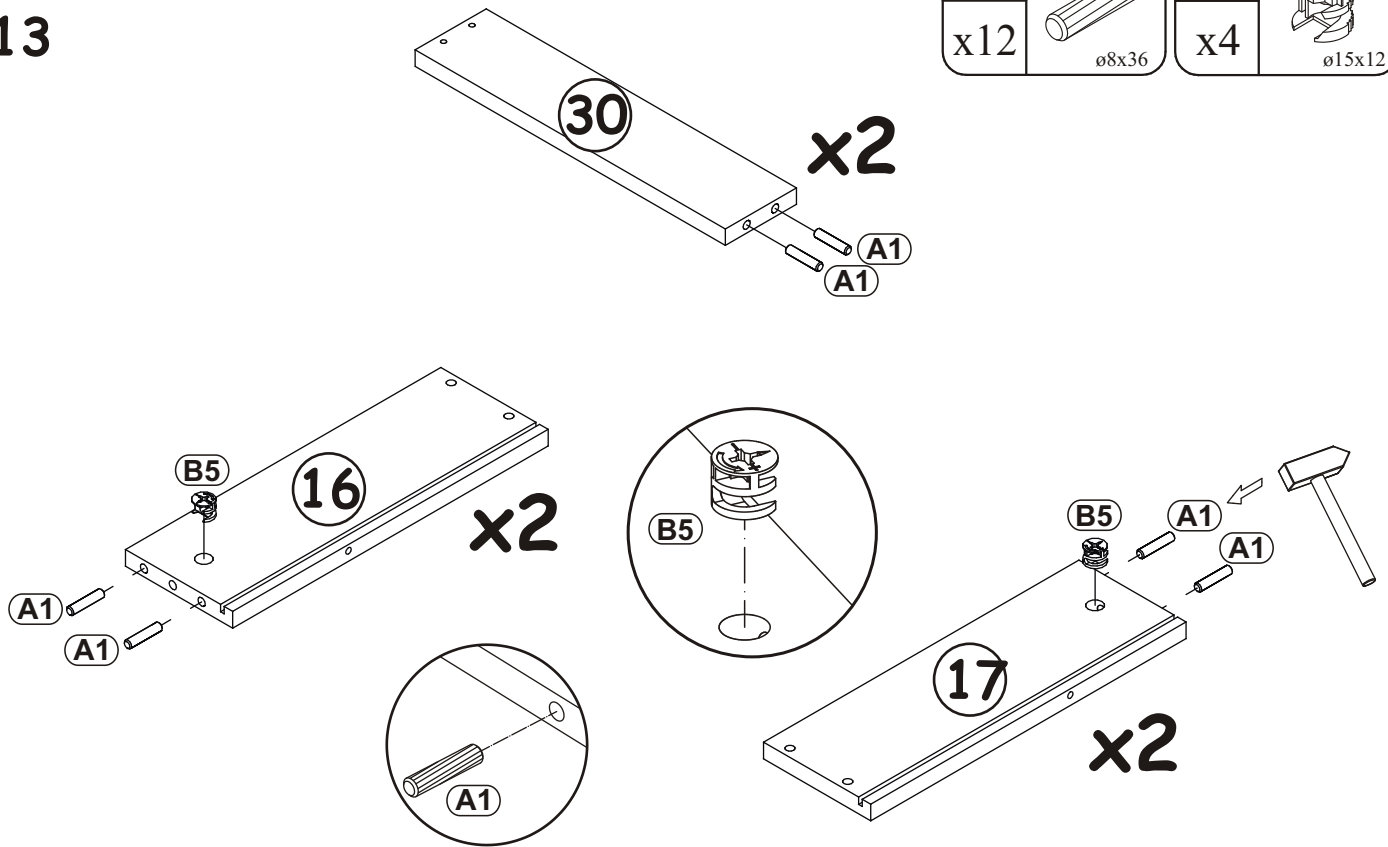


| | |
|----|--|
| B4 | |
| x4 | |





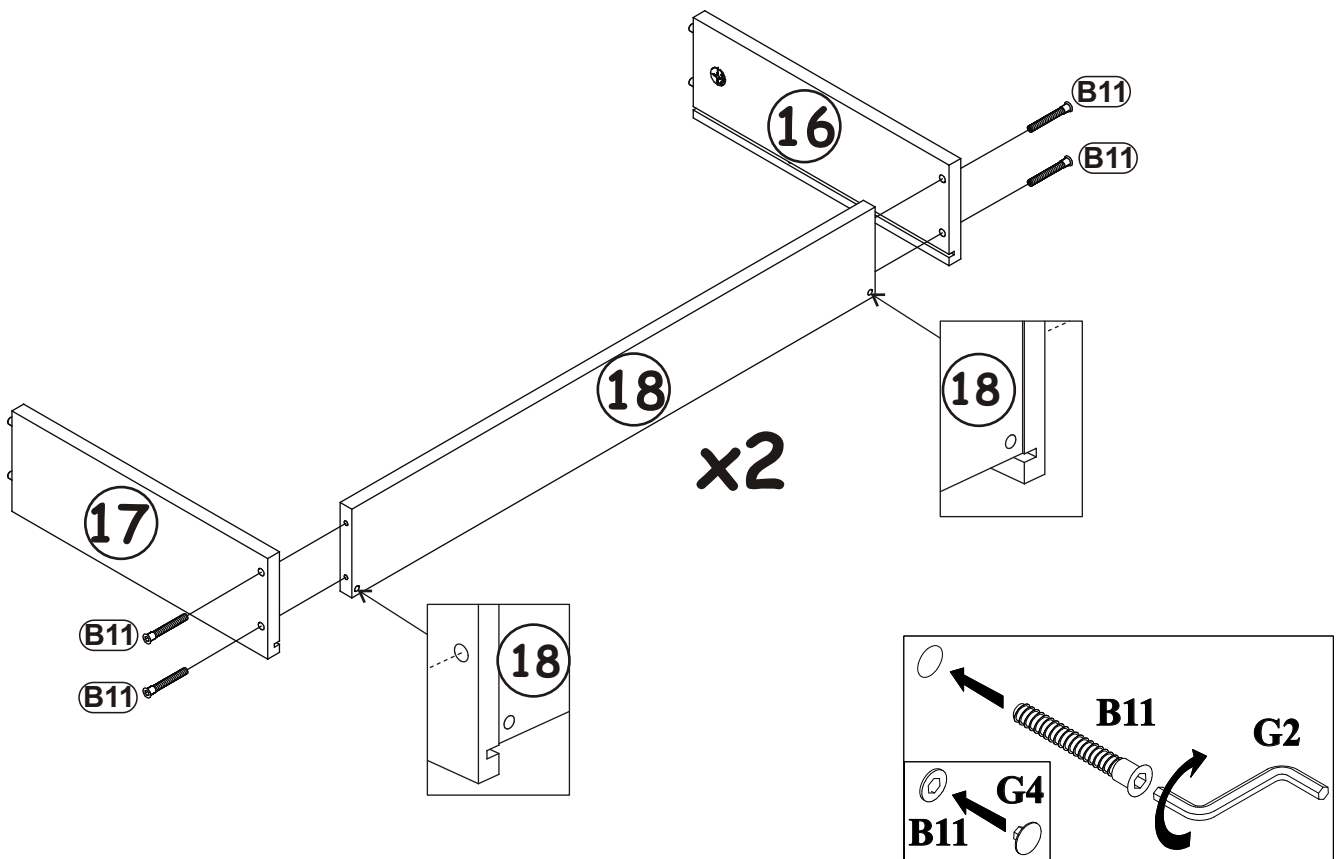
13


| | | | |
|-----|---|----|---|
| A1 |  | B5 |  |
| x12 | ø8x36 | x4 | ø15x12 |



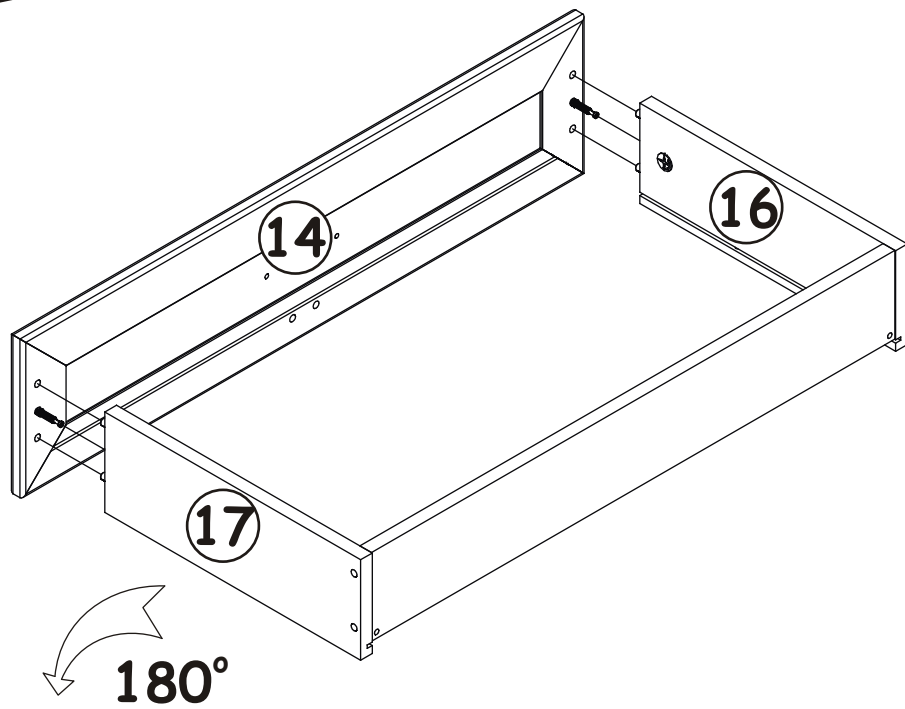
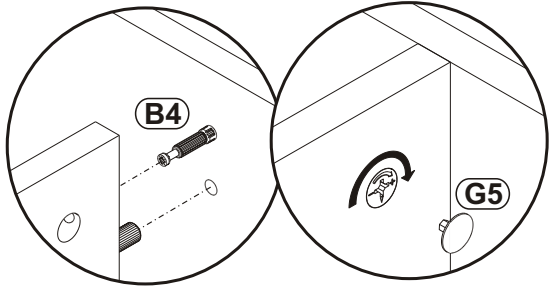
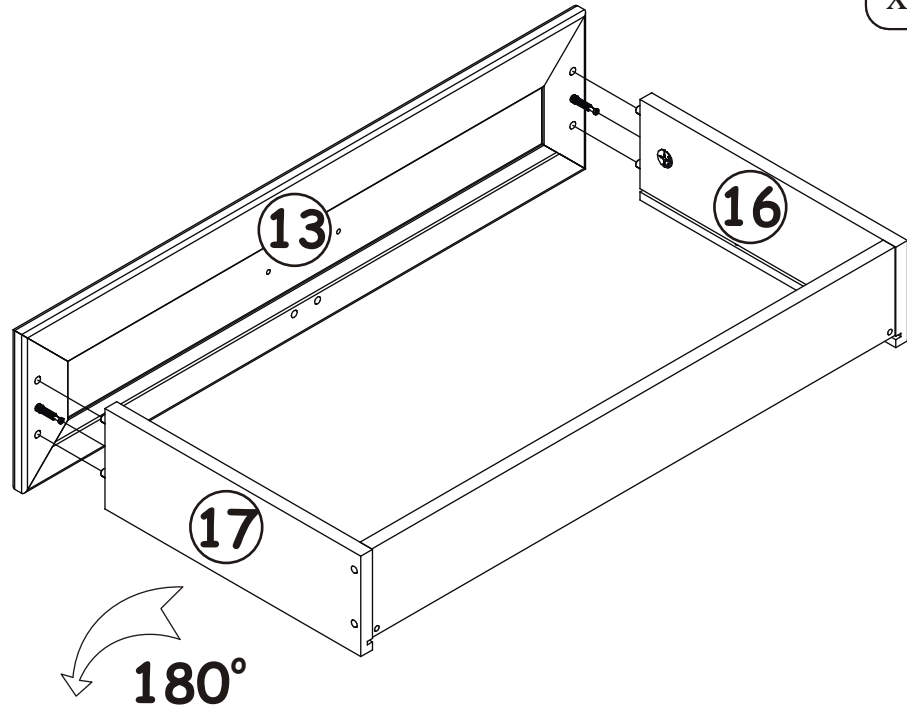
14

| | | | |
|-----|---|----|---|
| B11 |  | G4 |  |
| x8 | Ø7x50 | x8 | |

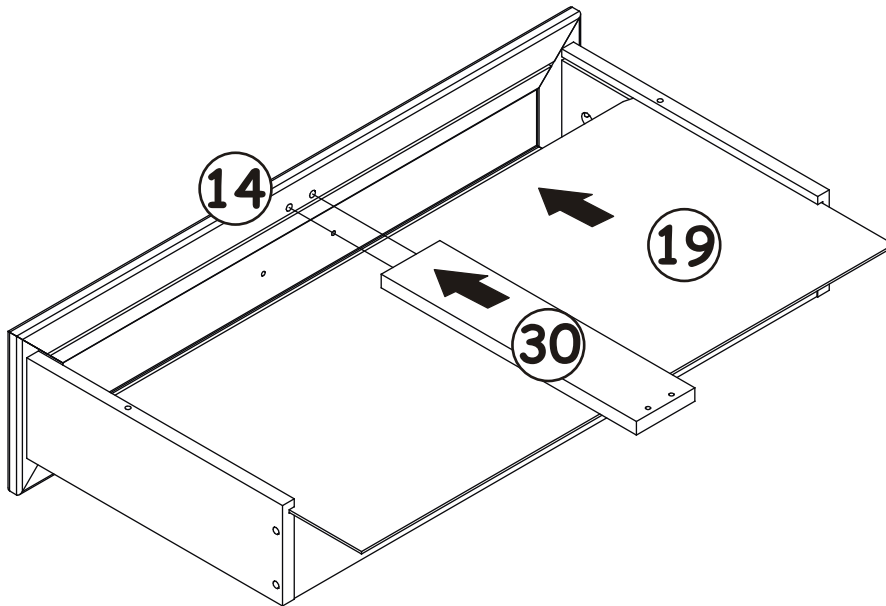
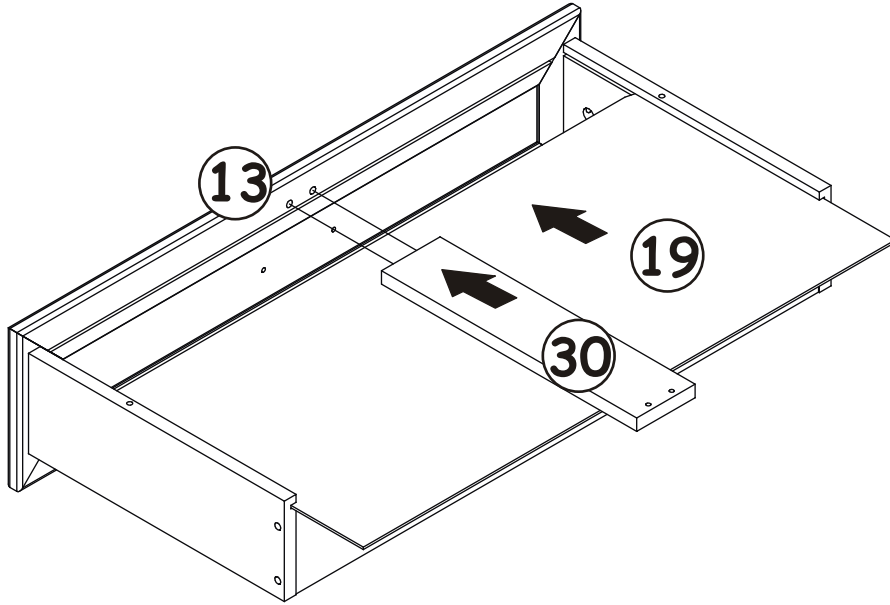


| | |
|----|---|
| G5 |  |
| x4 | |

15

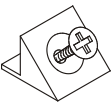



16




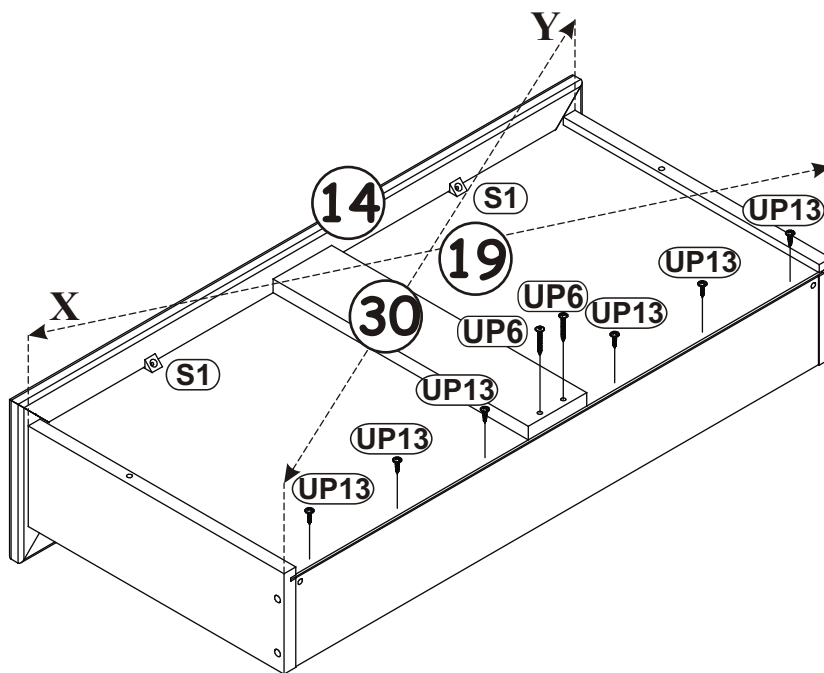
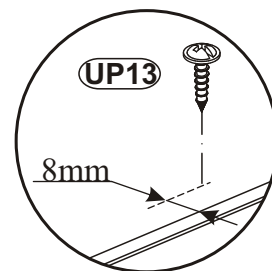
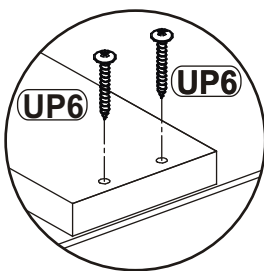
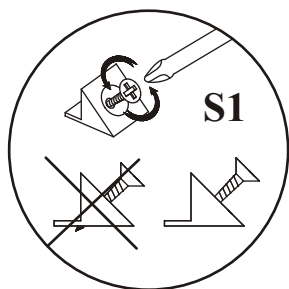
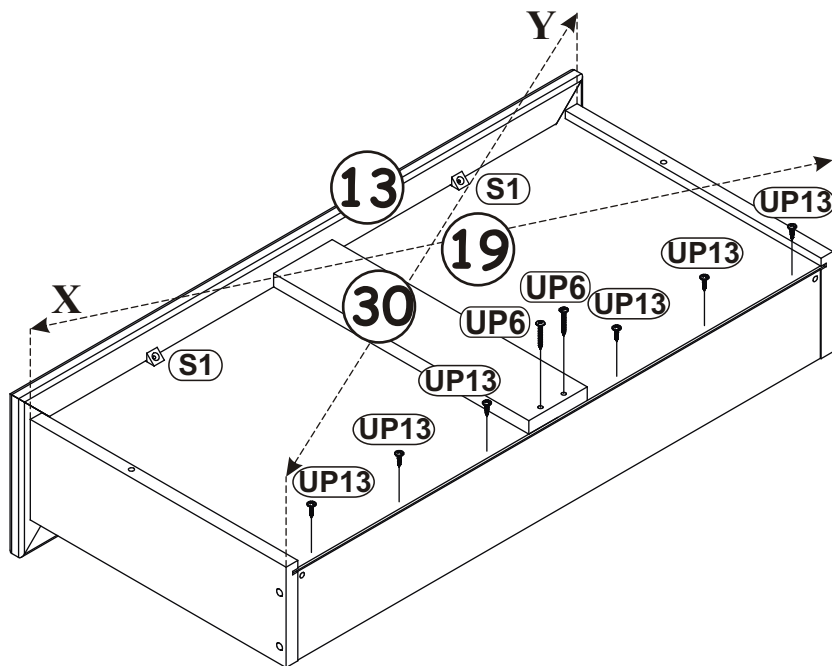
17

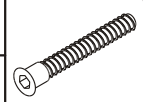

X=y 90°

| | |
|----|--|
| S1 |  |
| x4 | |

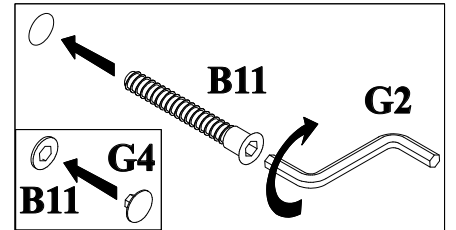
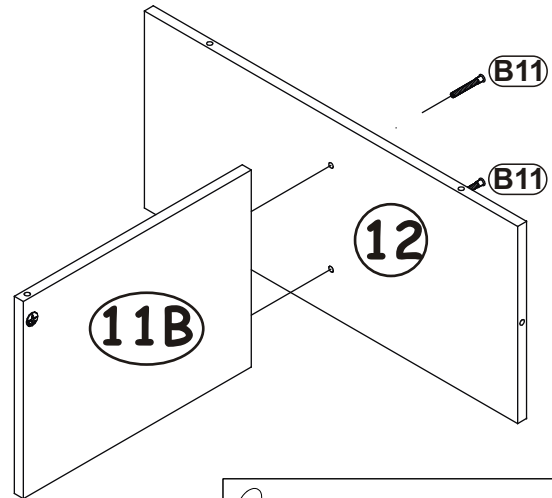
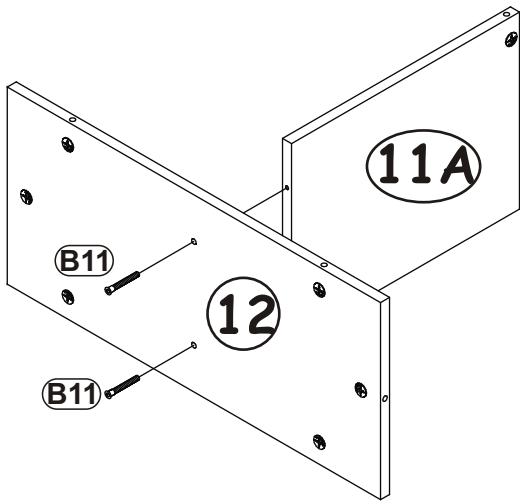
| | |
|------|---|
| UP13 |  |
| x12 | UPØ3x16 |

| | |
|-----|---|
| UP6 |  |
| x4 | UPØ4x30 |

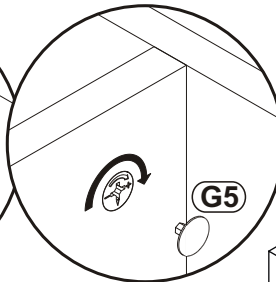
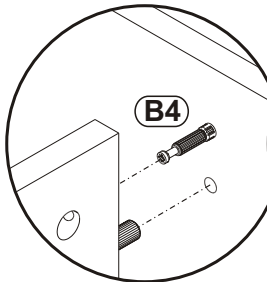
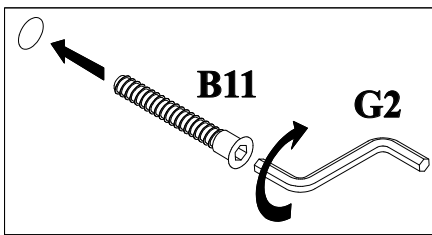



| | | | |
|-----|--|----|---|
| B11 |  | G4 |  |
| x4 | Ø7x50 | x4 | |


18

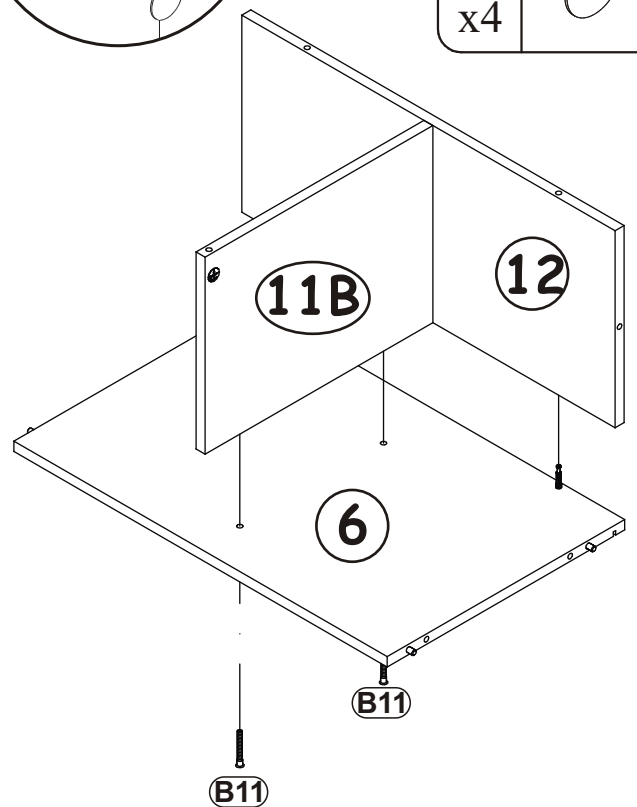
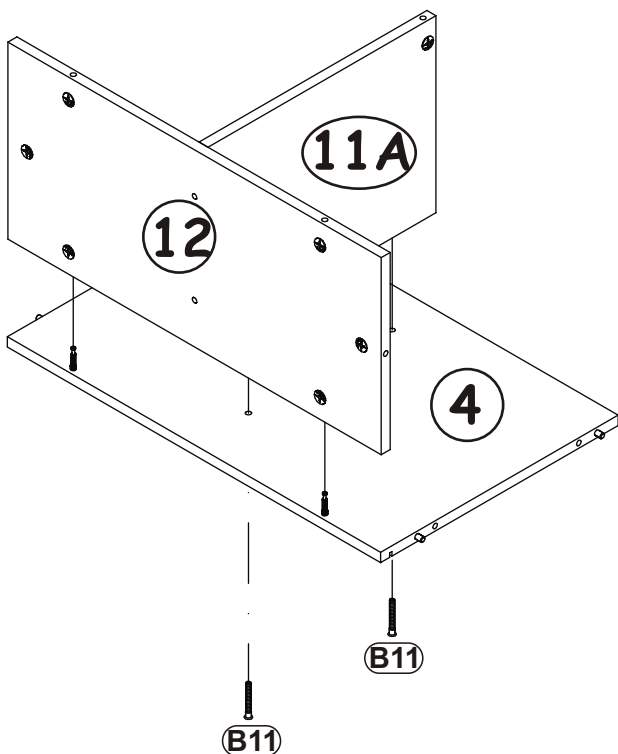


19

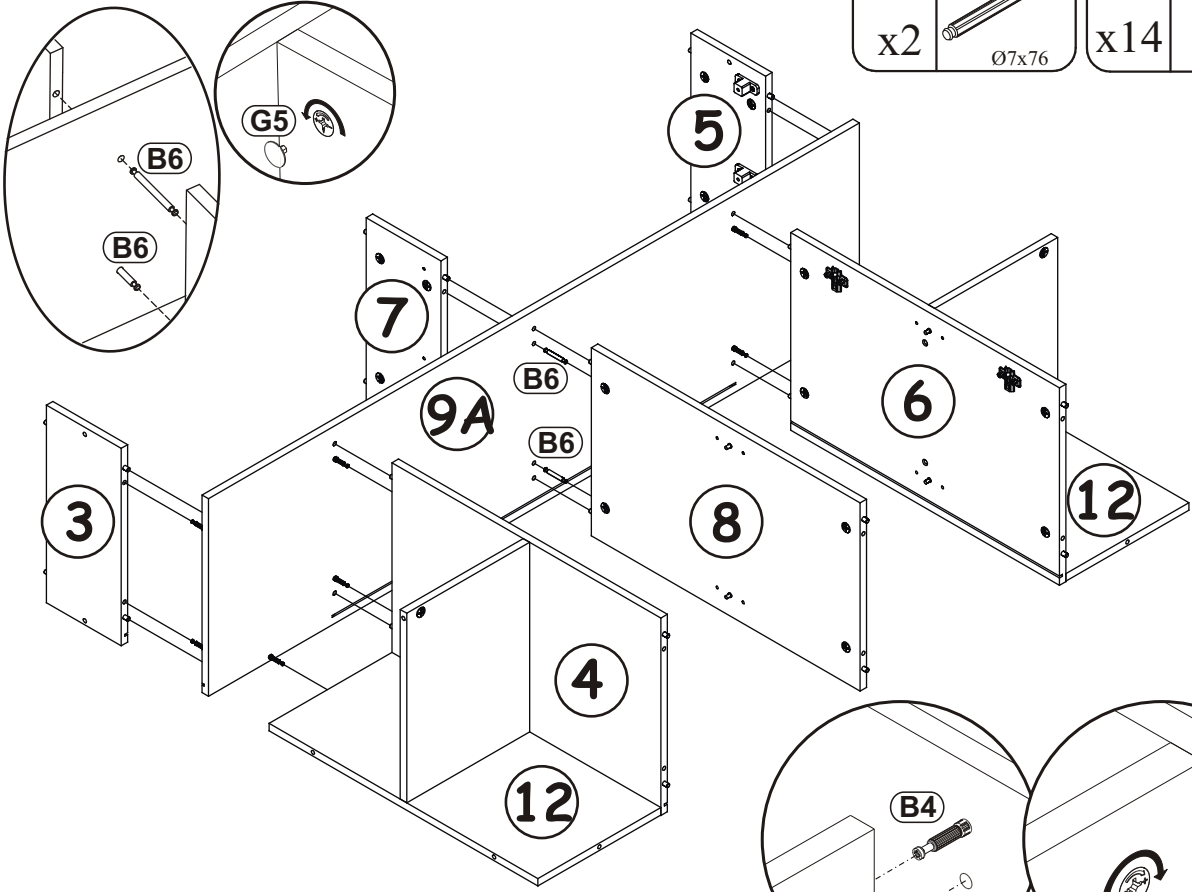


| | |
|-----|---|
| B11 |  |
| x4 | Ø7x50 |

| | |
|----|---|
| G5 |  |
| x4 | |



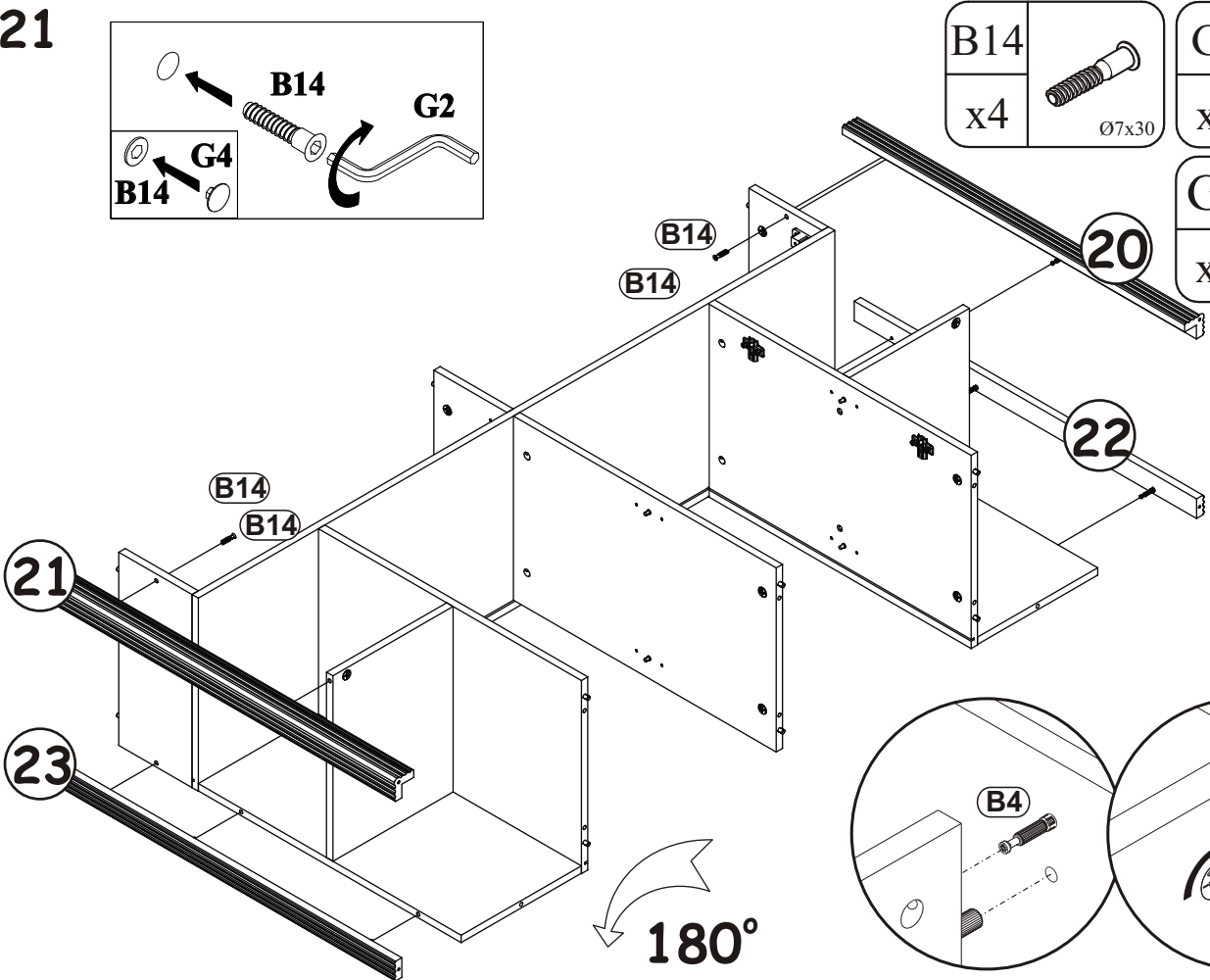
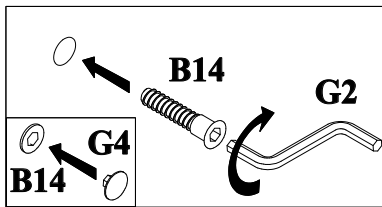
20



| | |
|----|-------|
| B6 | |
| x2 | Ø7x76 |

| | |
|-----|--|
| G5 | |
| x14 | |

21



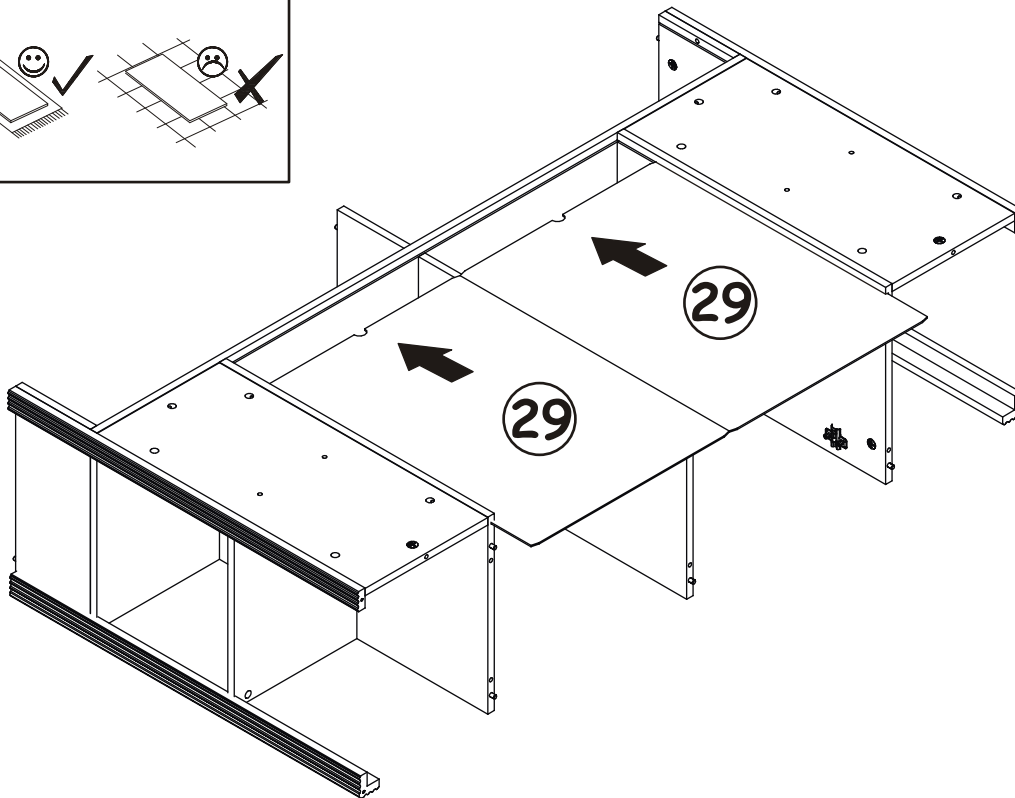
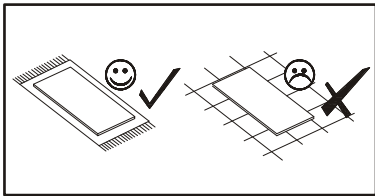
| | |
|-----|-------|
| B14 | |
| x4 | Ø7x30 |

| | |
|----|--|
| G4 | |
| x4 | |

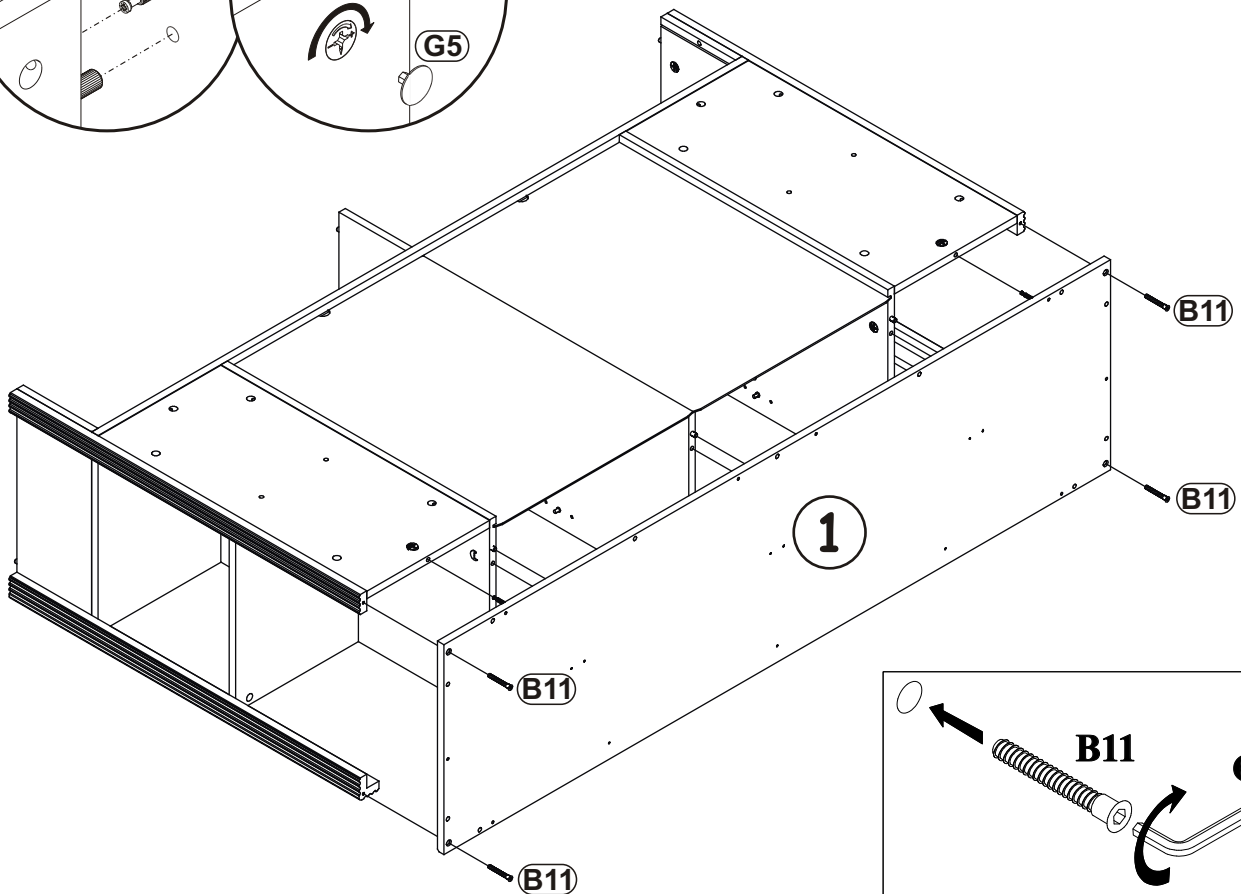
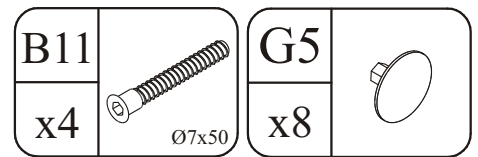
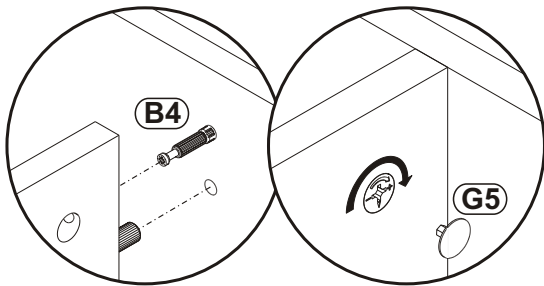
| | |
|----|--|
| G5 | |
| x6 | |


180°

22

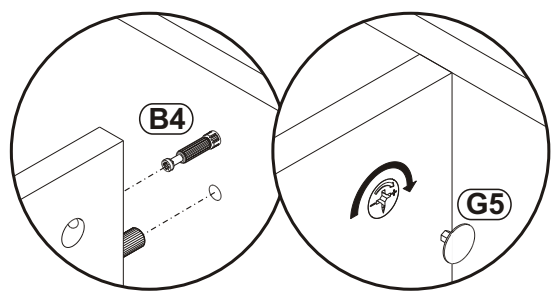
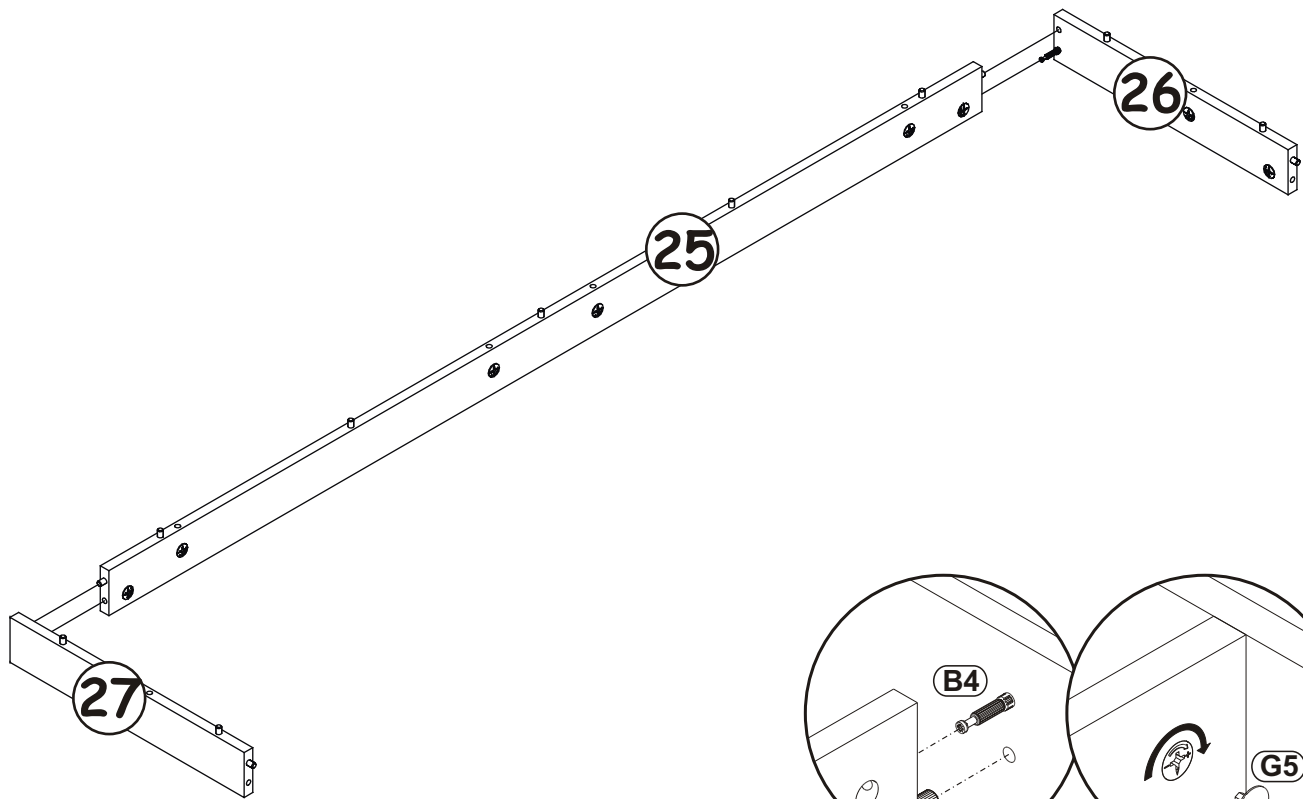


23




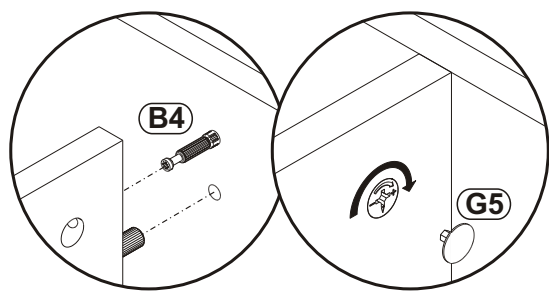
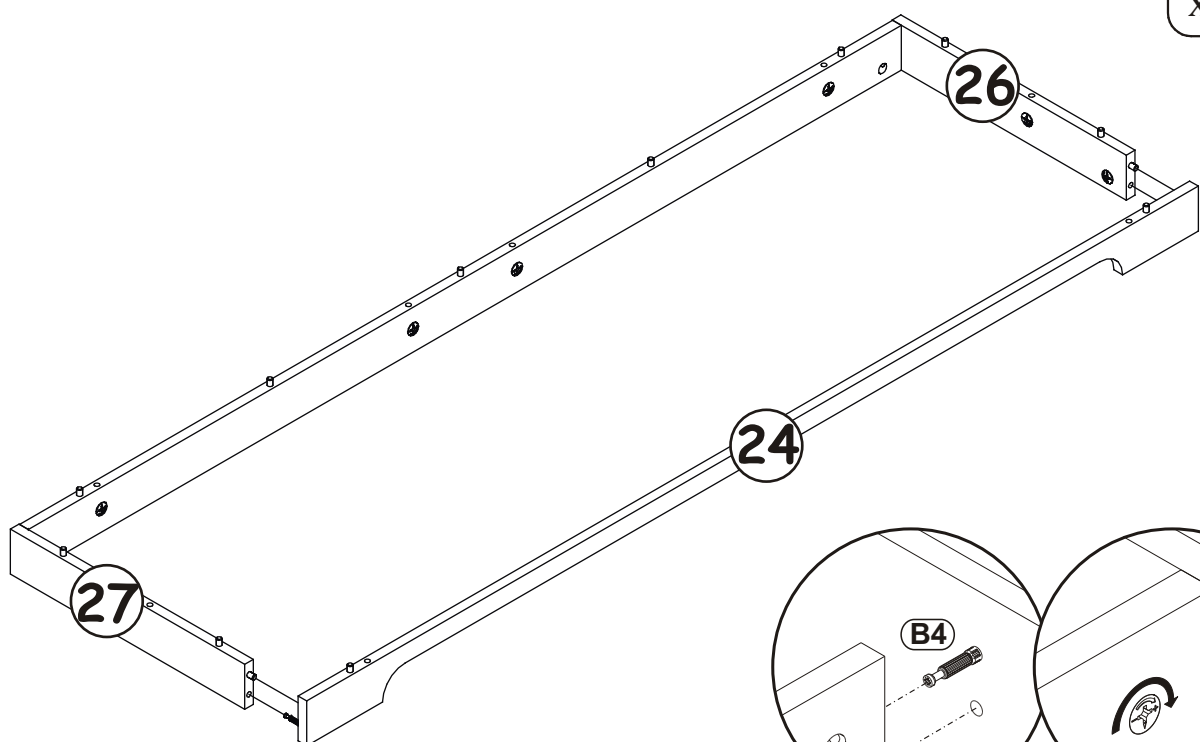
| | |
|----|---|
| G5 |  |
| x2 | |

24

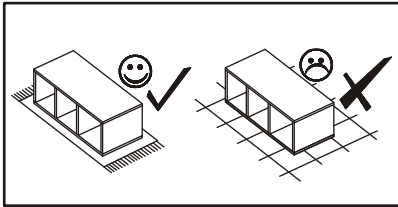


25

| | |
|----|---|
| G5 |  |
| x2 | |

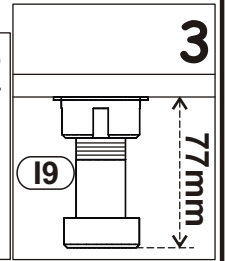
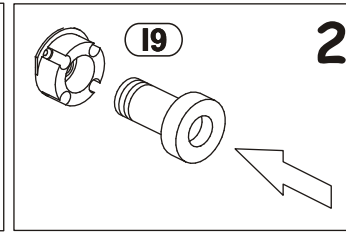
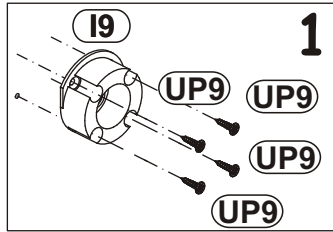
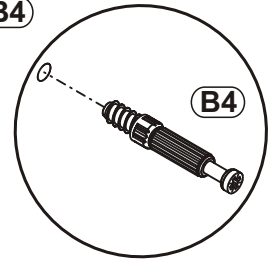
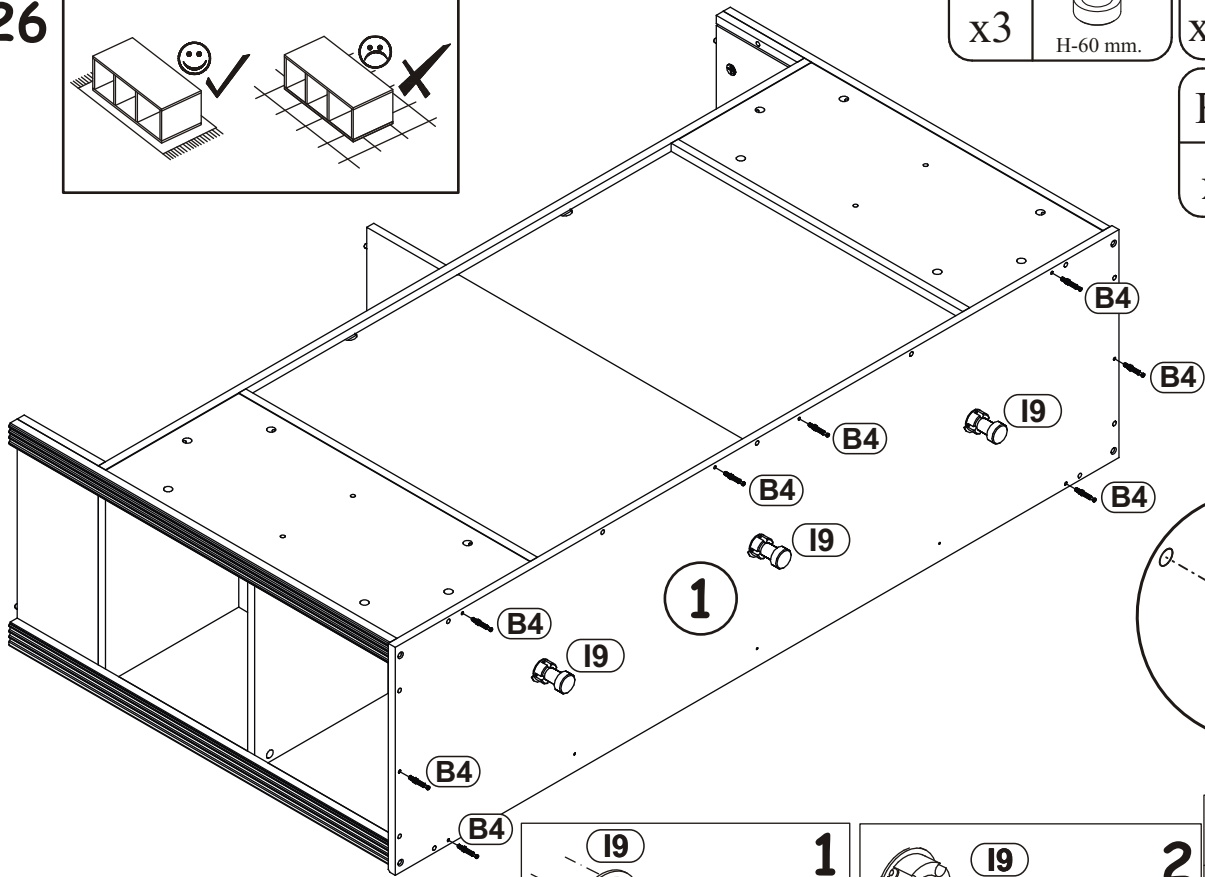


26



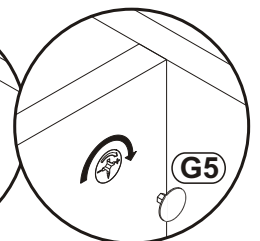
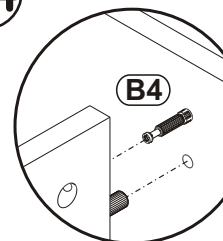
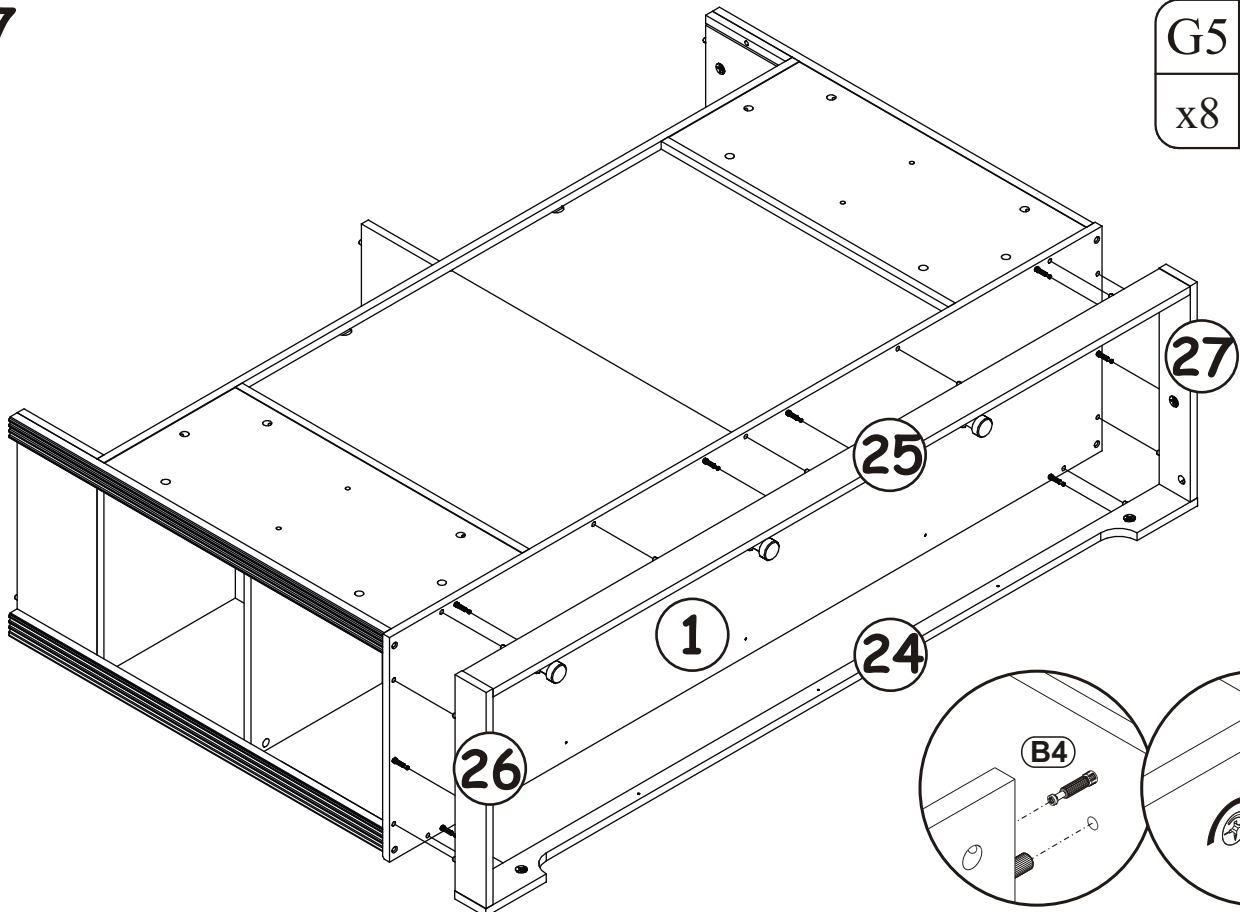
| | | | |
|----|----------|-----|-----------|
| I9 | | UP9 | |
| x3 | H-60 mm. | x12 | UPØ3,5x16 |

| | |
|----|--|
| B4 | |
| x8 | |

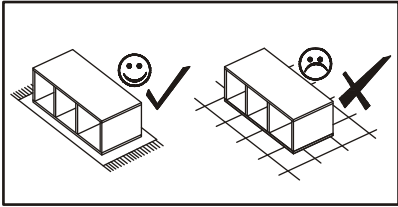


27

| | |
|----|--|
| G5 | |
| x8 | |



28



| | |
|-----|--|
| G16 | |
| x4 | |

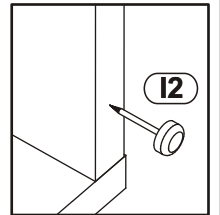
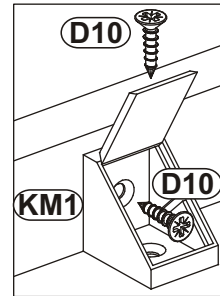
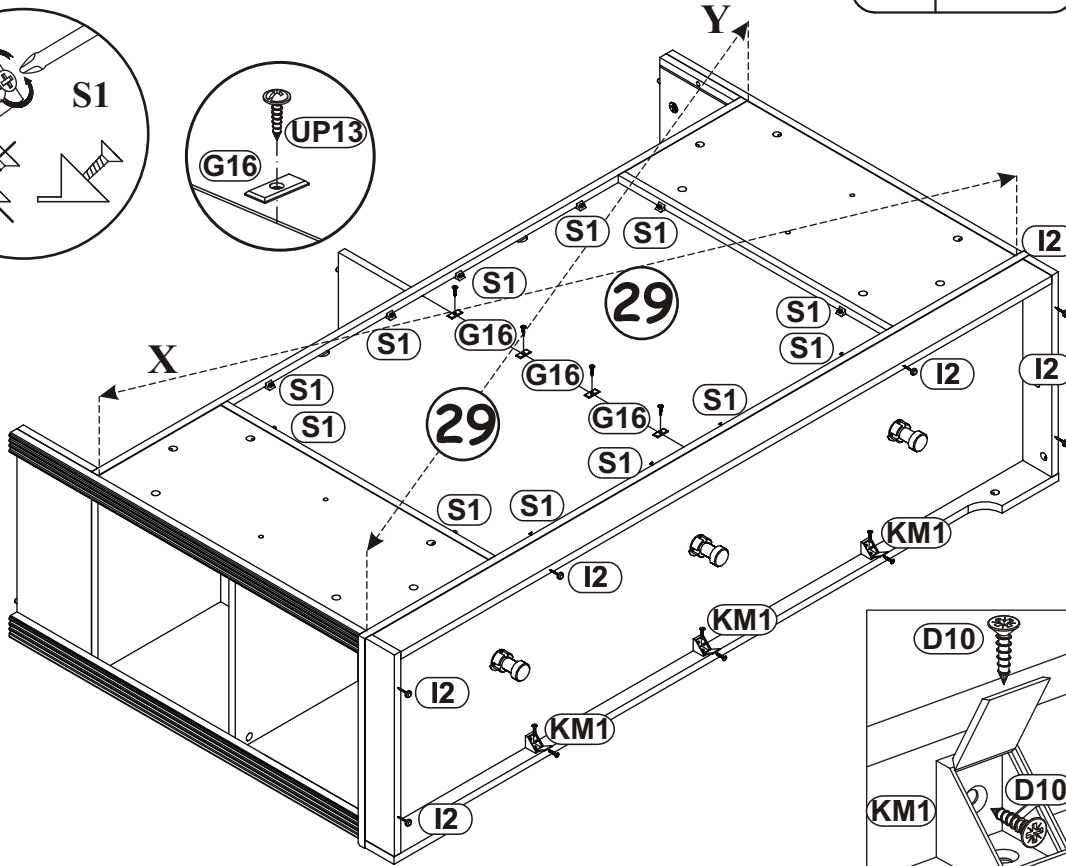
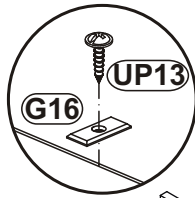
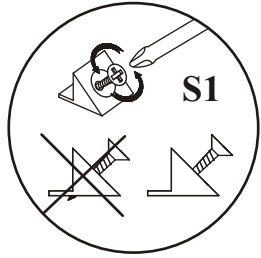
| | |
|------|---------|
| UP13 | |
| x4 | UPØ3x16 |

| | |
|-----|--|
| S1 | |
| x12 | |

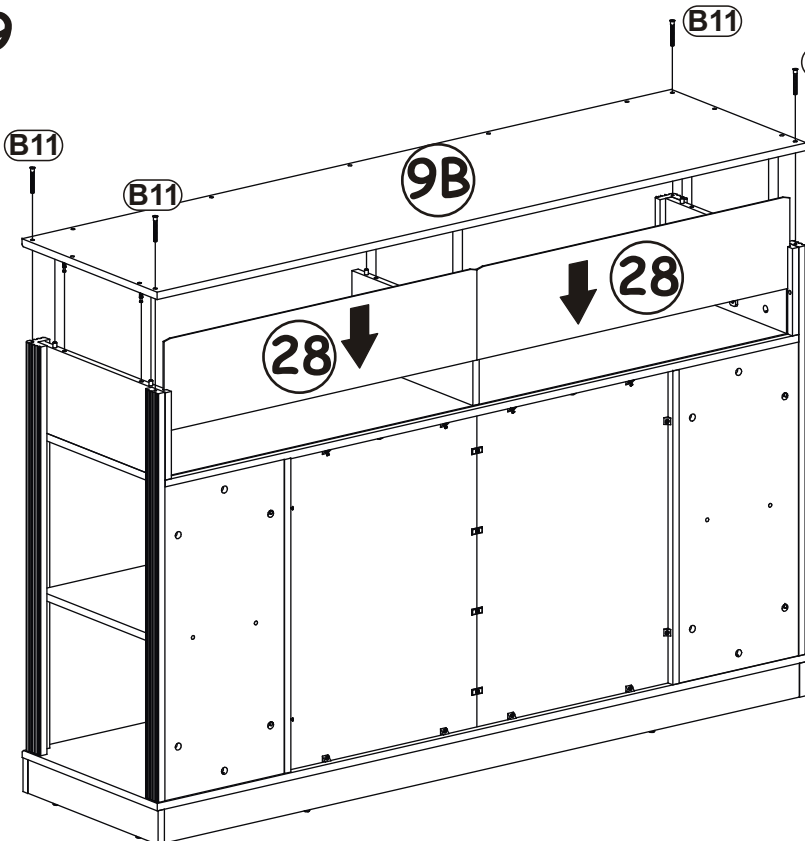
| | |
|----|--|
| I2 | |
| x6 | |

| | |
|-----|--|
| KM1 | |
| x3 | |

| | |
|-----|-----------|
| D10 | |
| x6 | USØ3,5x13 |

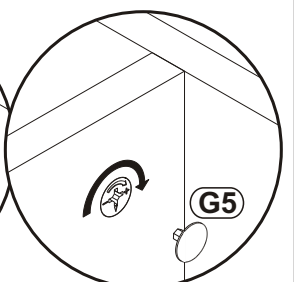
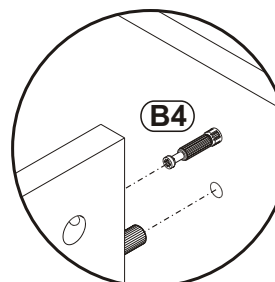
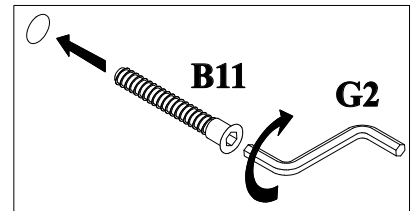


29



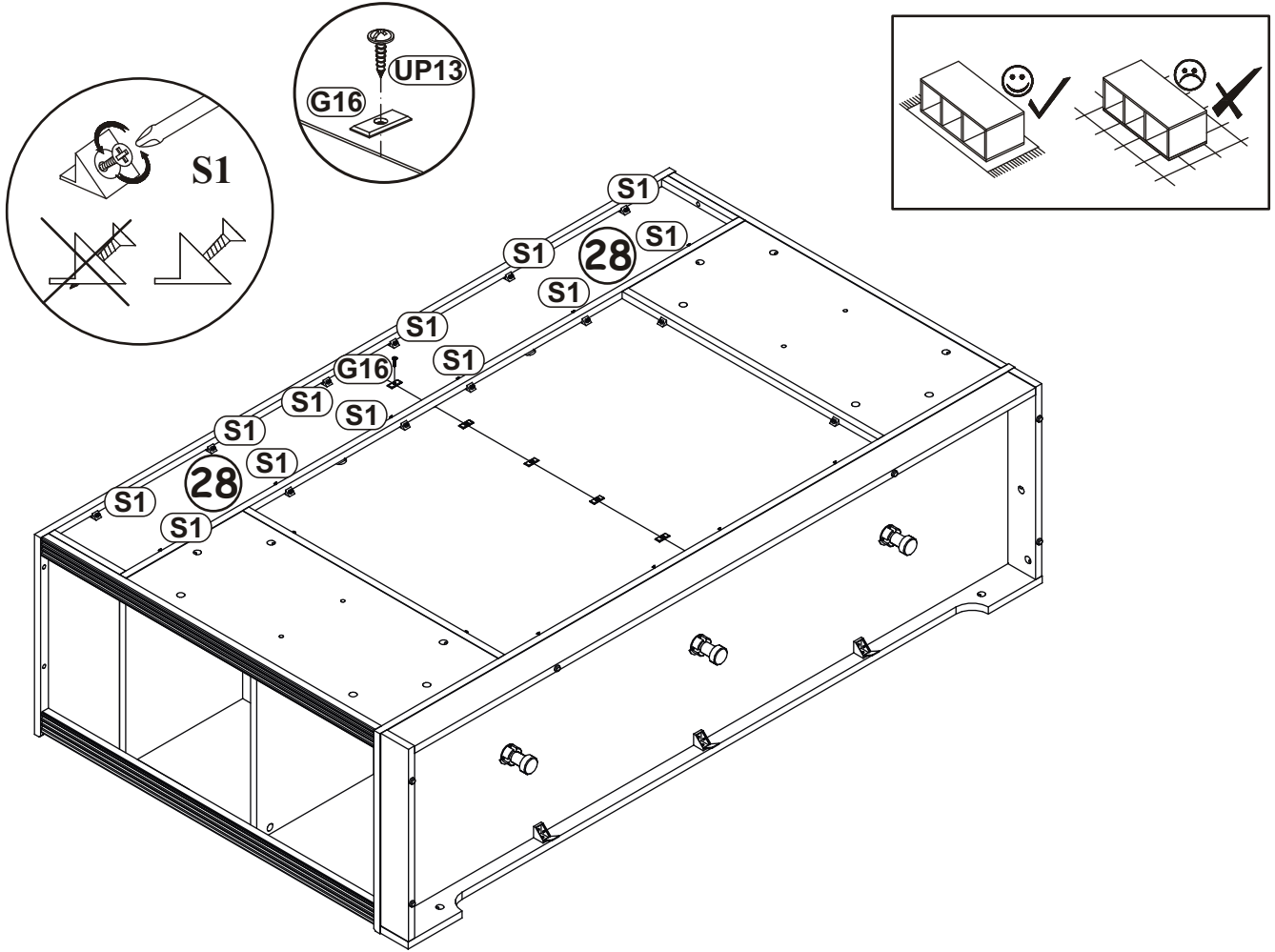
| | |
|-----|-------|
| B11 | |
| x4 | Ø7x50 |

| | |
|----|--|
| G5 | |
| x6 | |



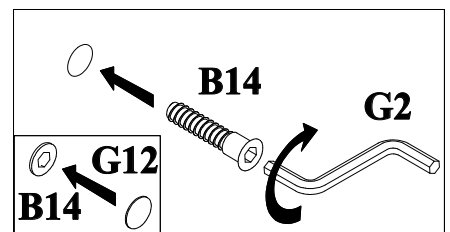
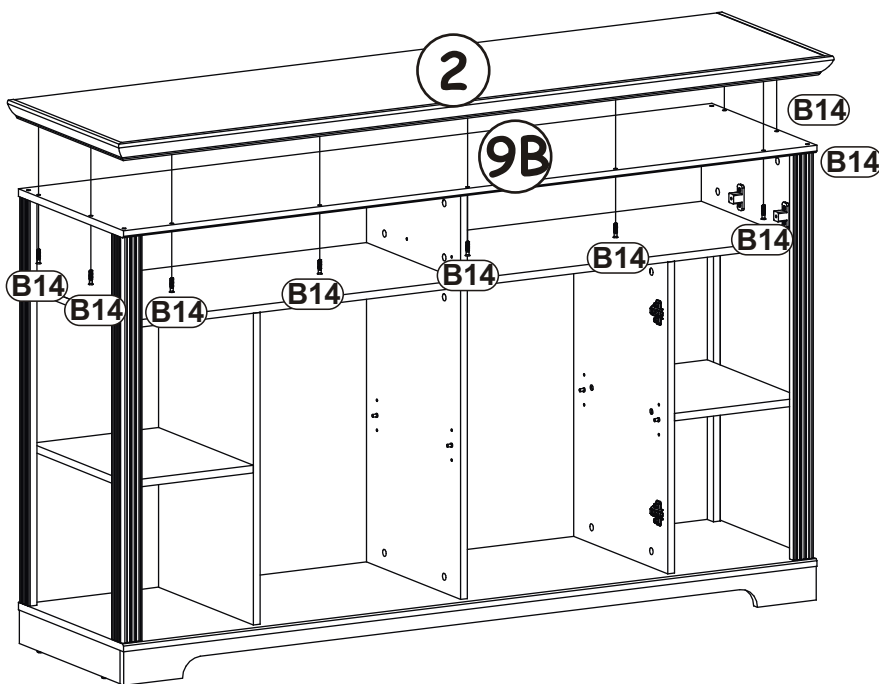
30

| | | | | | |
|-----|--|------|---------|-----|--|
| G16 | | UP13 | | S1 | |
| x1 | | x1 | UPØ3x16 | x12 | |

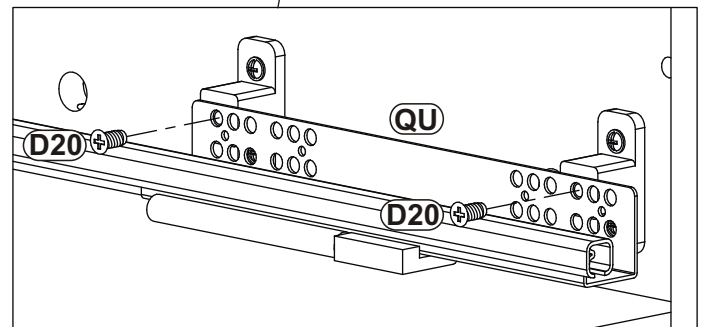
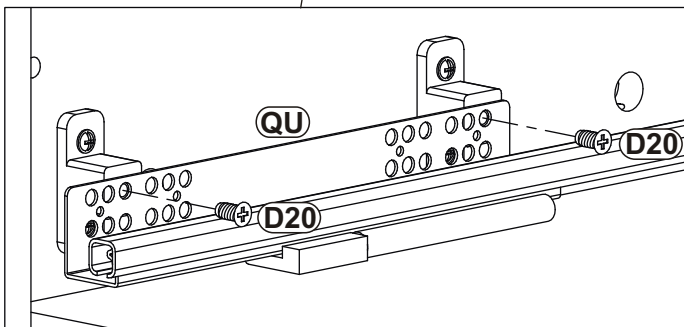
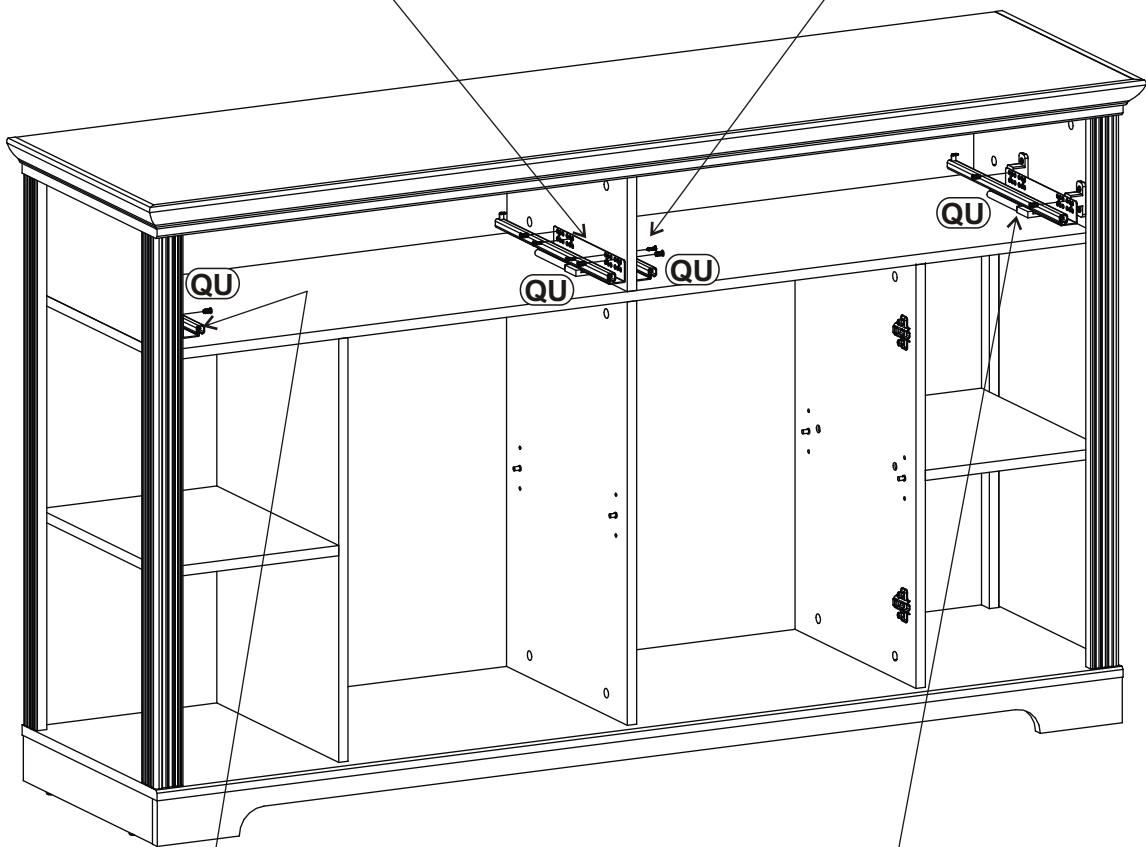
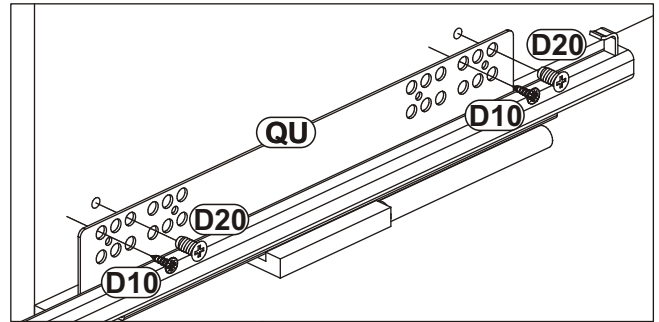
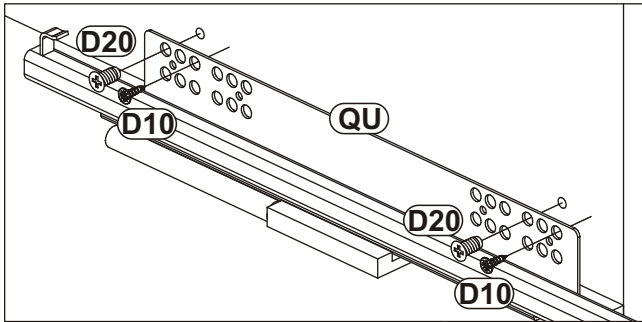
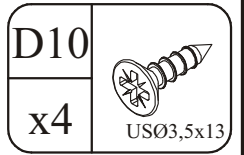
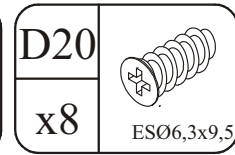
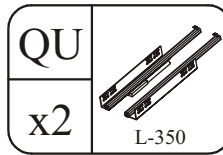


31

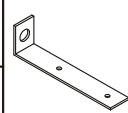
| | | | |
|-----|-------|-----|-----|
| B14 | | G12 | |
| x9 | Ø7x30 | x9 | Ø14 |

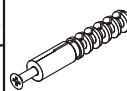


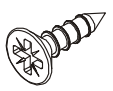
32

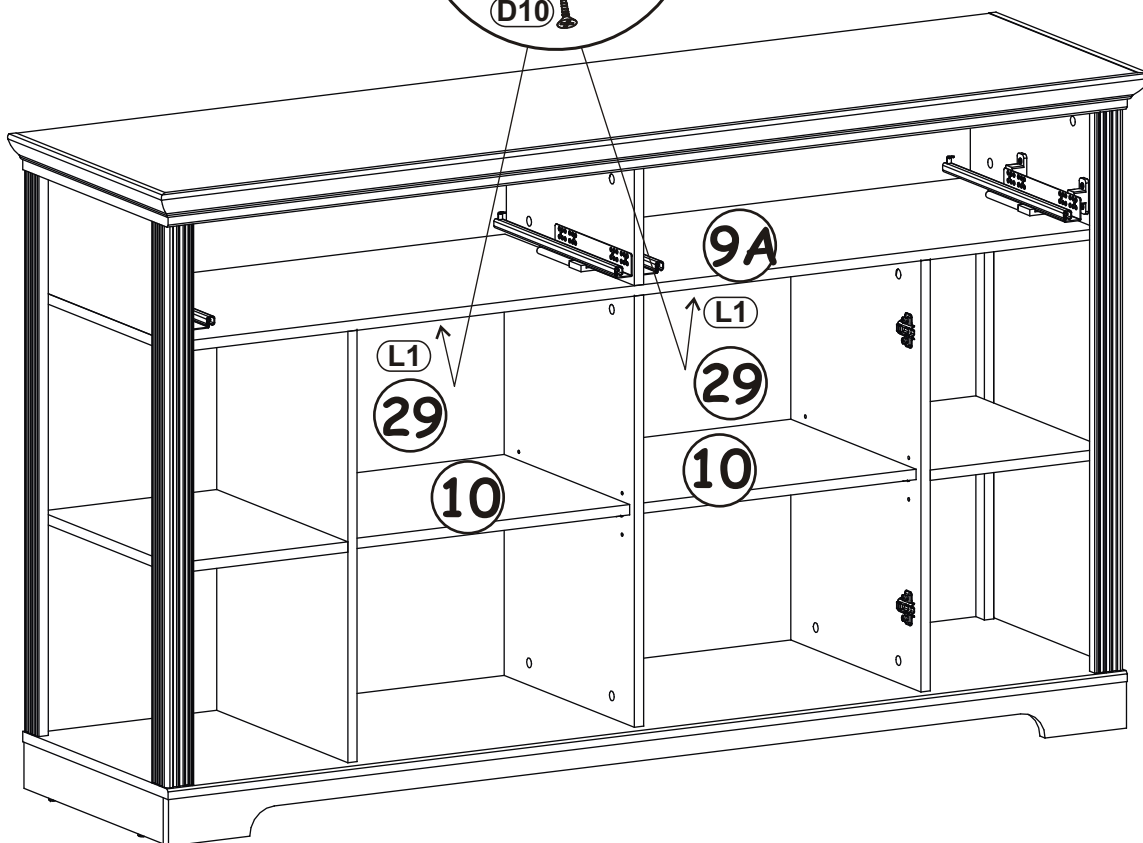
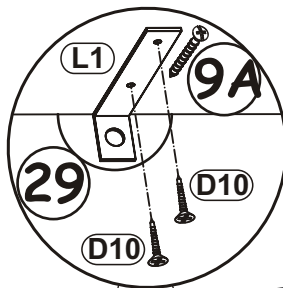
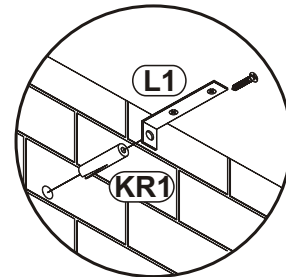
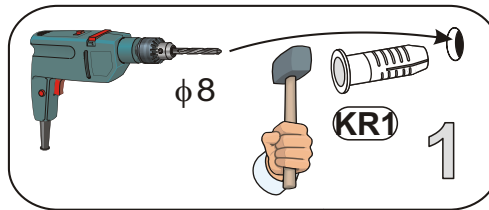
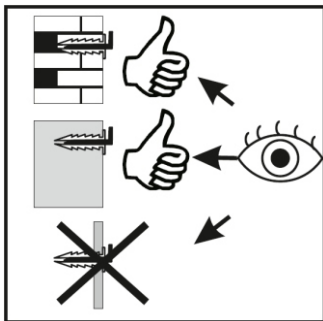



33

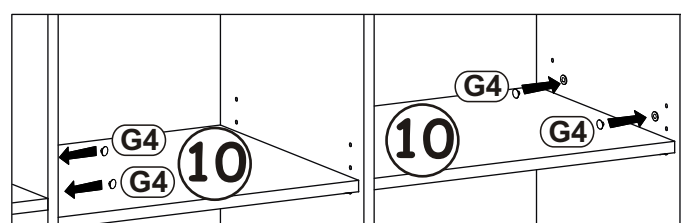
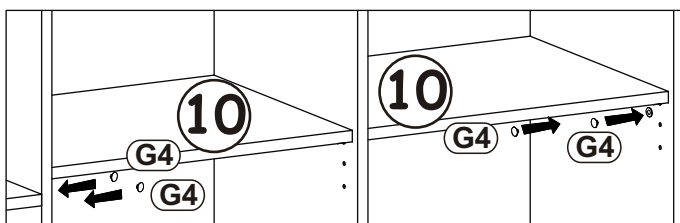
| | |
|----|---|
| L1 |  |
| x2 | |

| | |
|-----|---|
| KR1 |  |
| x2 | |

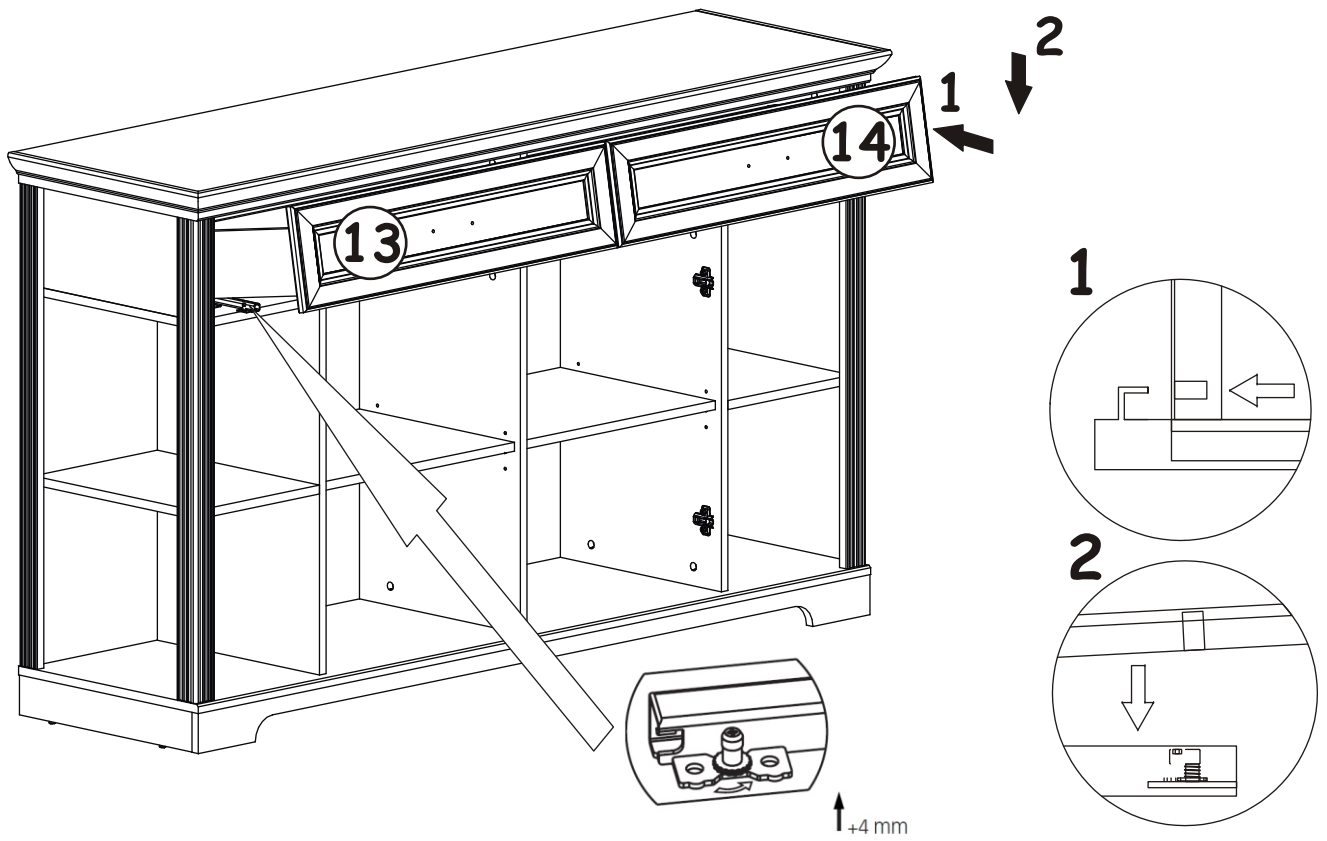
| | |
|-----|---|
| D10 |  |
| x4 | US03,5x13 |



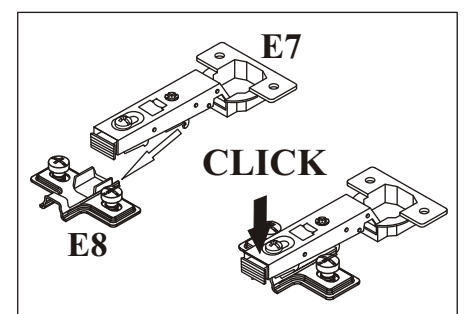
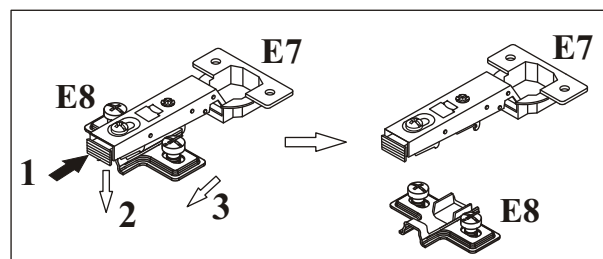
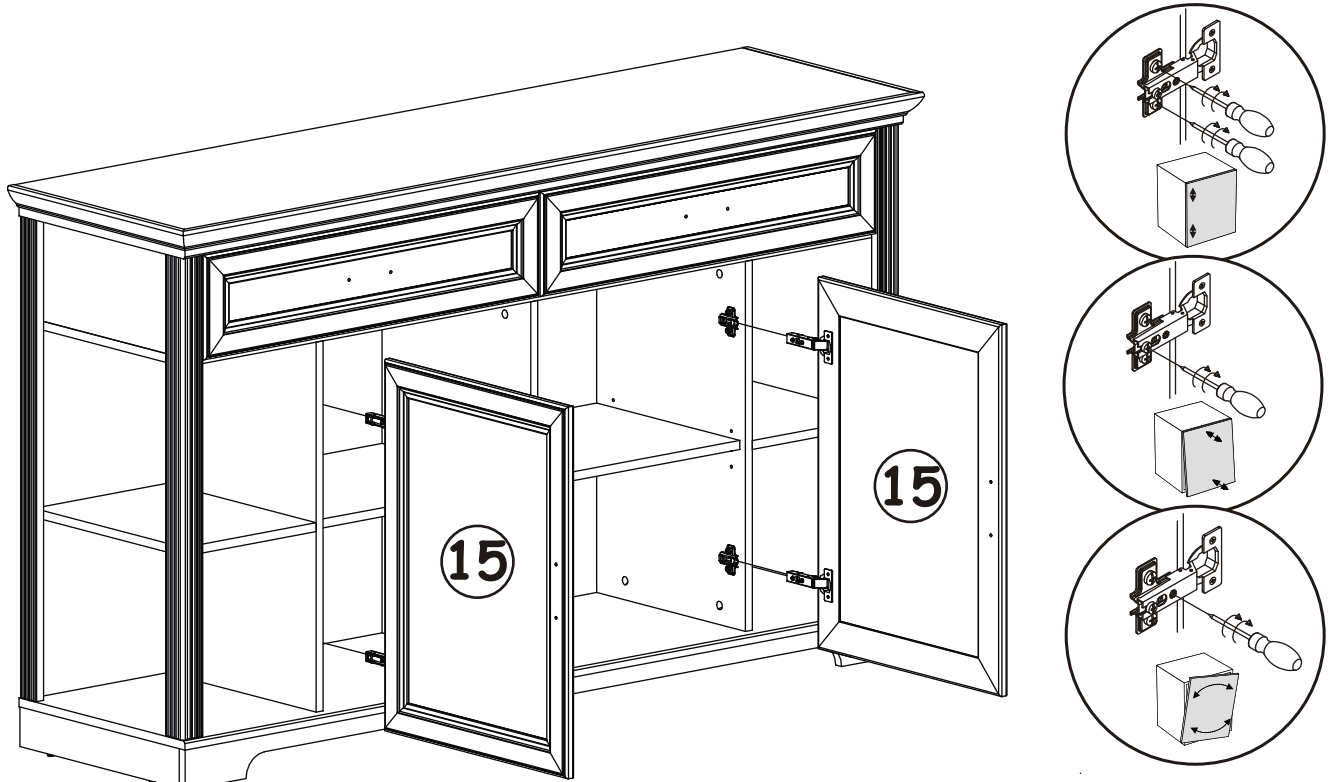
| | |
|----|---|
| G4 |  |
| x4 | |



34



35



36

