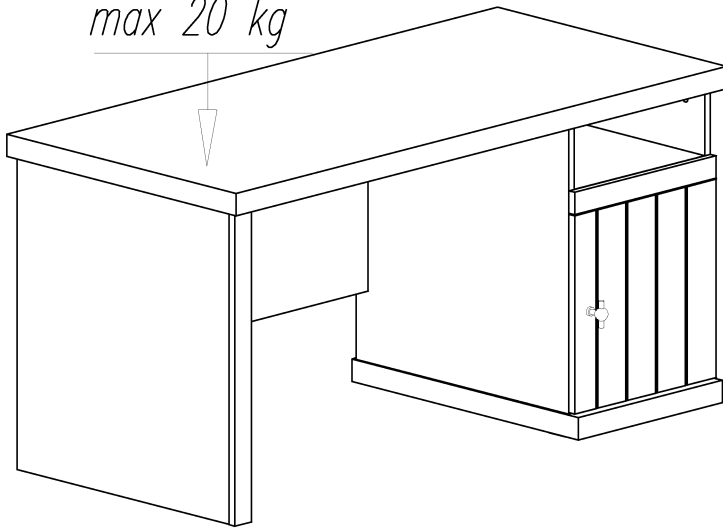
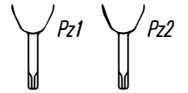
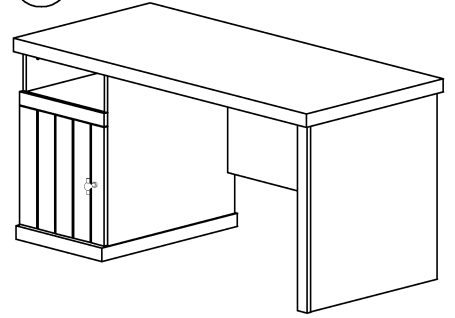


v.R

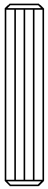
max 20 kg



v.L

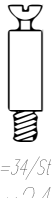


A



∅7,8x40  
x44

B1



L=34/St  
x24

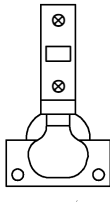
C



∅15x18

x24

D



MET +/NK

x2

E



H=0

x2

F



∅4x16

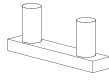
x4

G



x4

H



x6

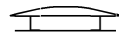
L



∅8

x4

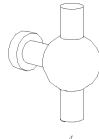
M



∅15

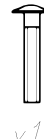
x3

N



x1

O



x1

P



∅8xL34

x4

R



∅15x18

x4

S

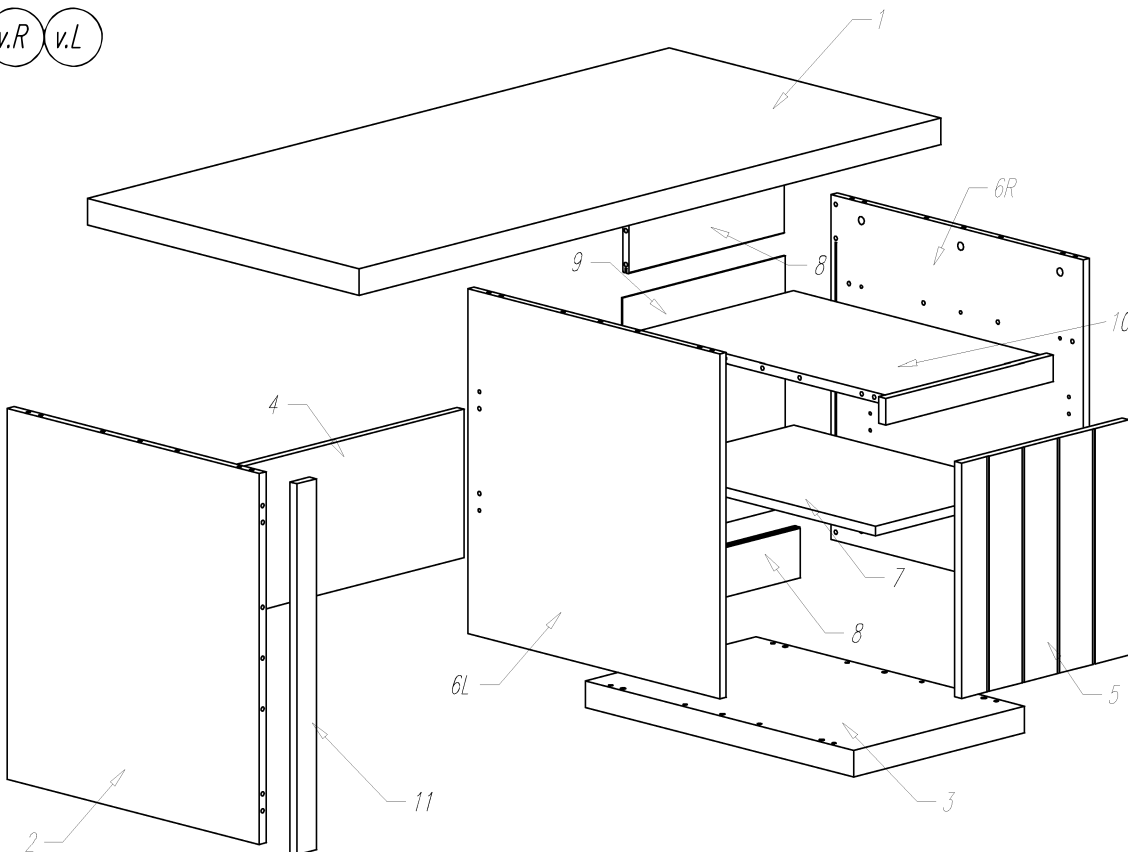


x12

ROBIN DESK 2

ROBIN-BUREAU ver. 5/2019

v.R v.L



Colli 1/2:

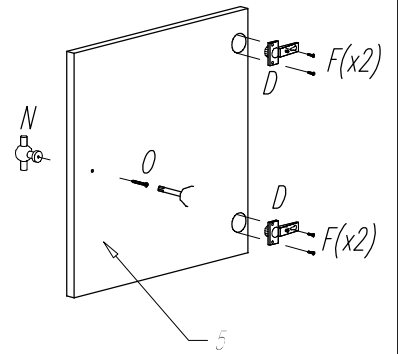
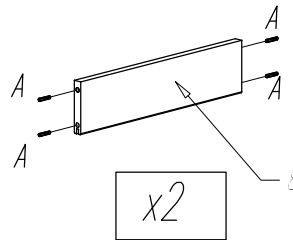
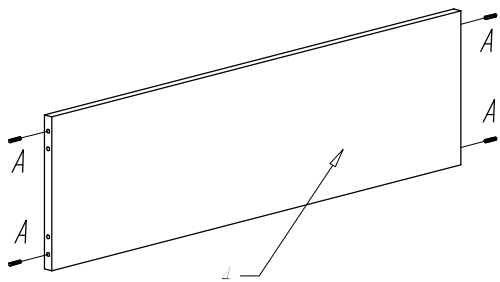
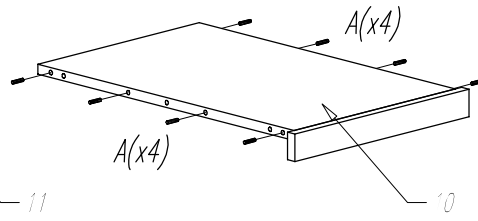
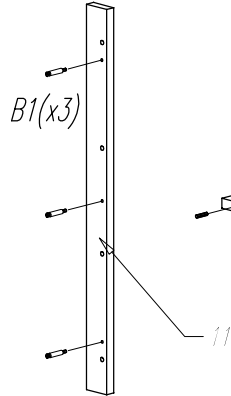
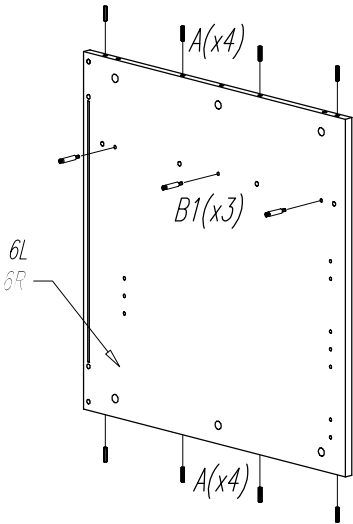
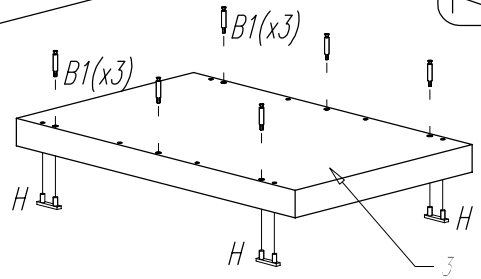
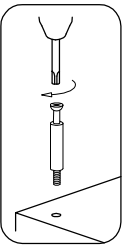
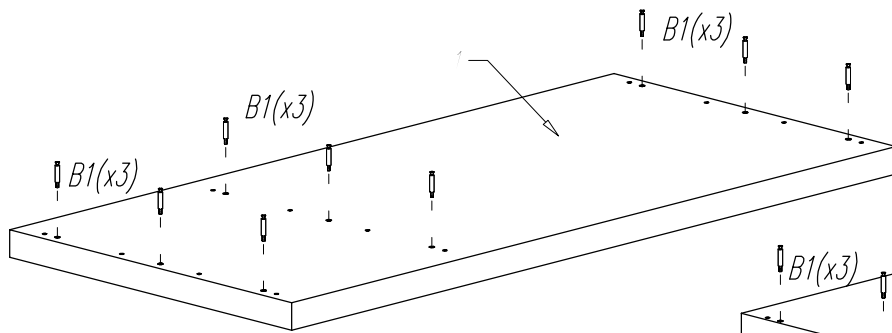
- Part no. 2 -1 pcs/St.
- Part no. 5 -1 pcs/St.
- Part no. 6L -1 pcs/St.
- Part no. 6R -1 pcs/St.
- Part no. 8 -2 pcs/St.

Colli 2/2:

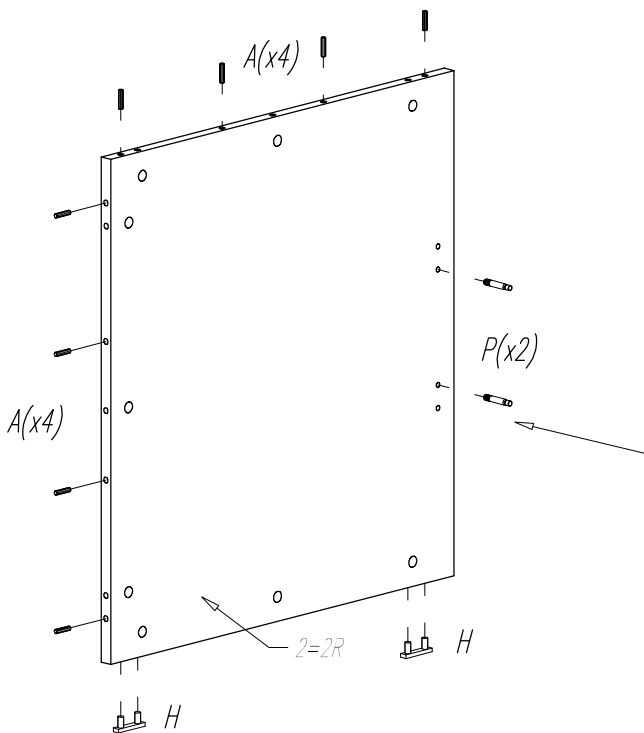
- Part no. 1 -1 pcs/St.
- Part no. 3 -1 pcs/St.
- Part no. 4 -1 pcs/St.
- Part no. 7 -1 pcs/St.
- Part no. 9 -1 pcs/St.
- Part no.10 -1 pcs/St.
- Part no.11 -1 pcs/St.

Fittings/Beschlages/Quincaillerie  
Assembly instruction /Instruction/Montage

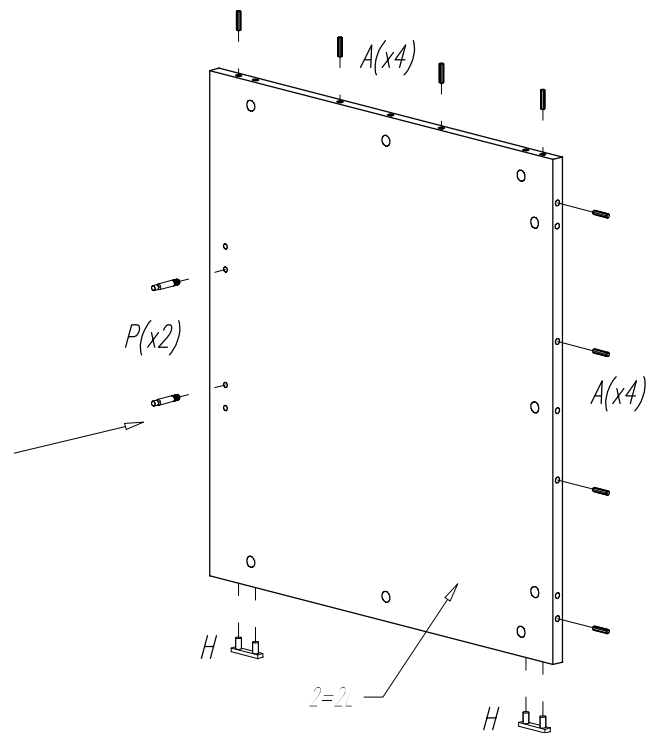
v.R v.L



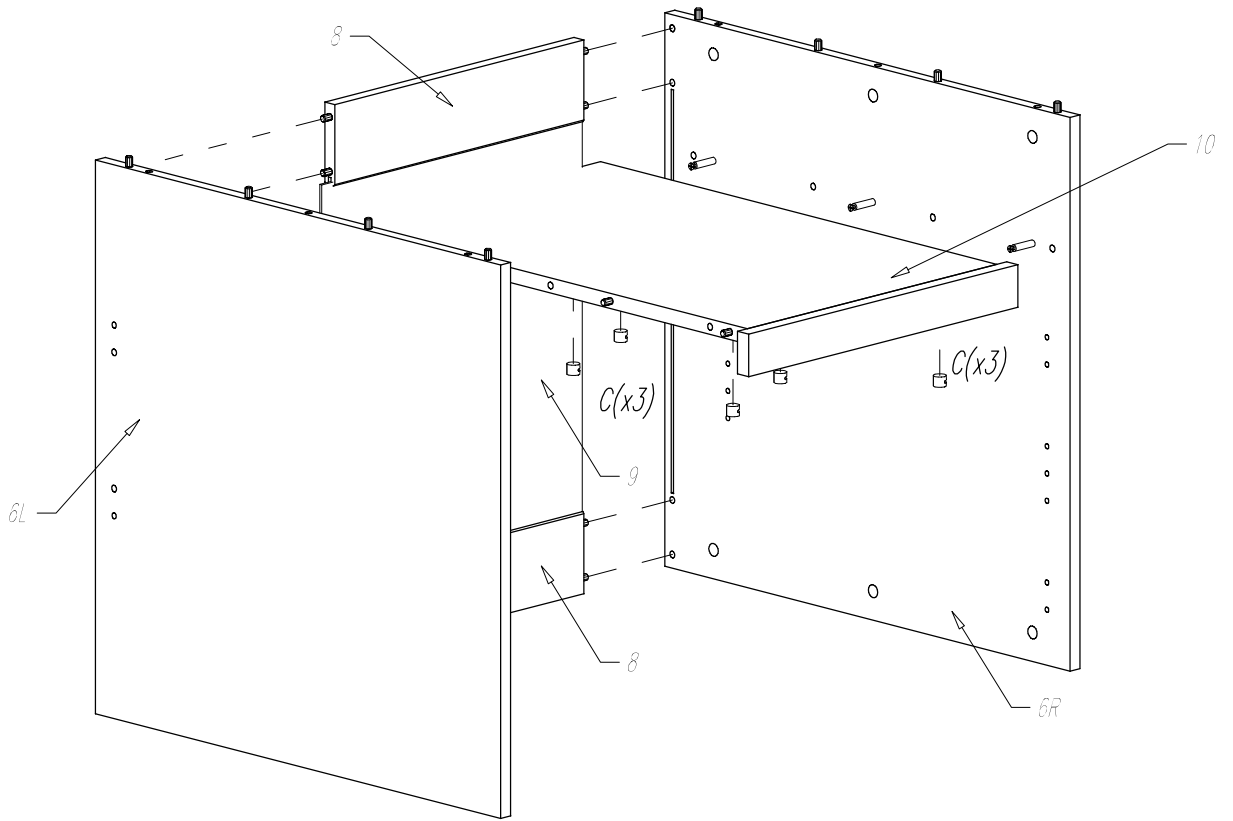
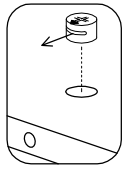
v.R



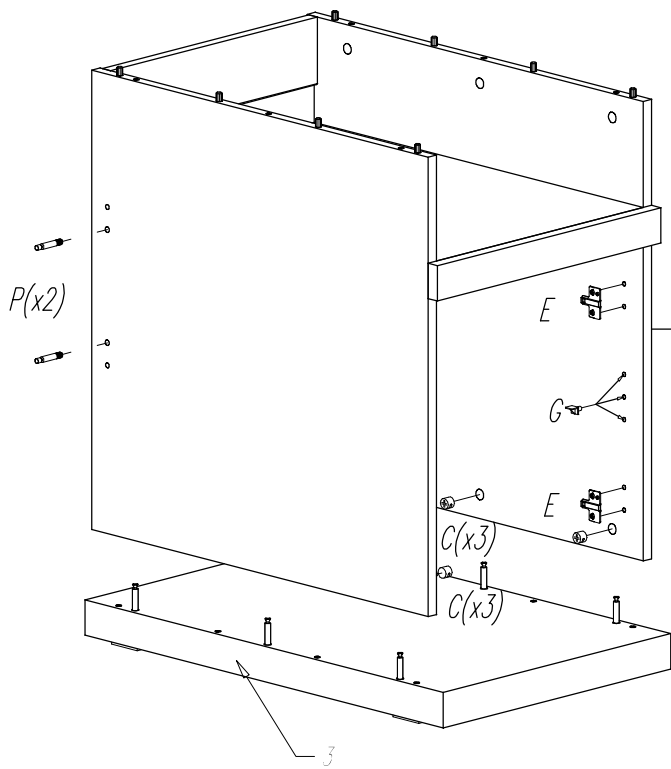
v.L



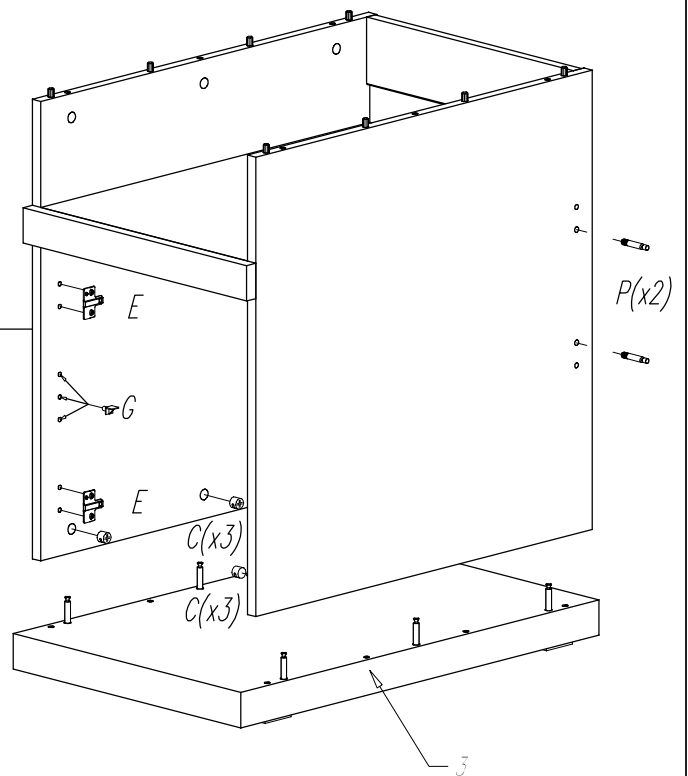
v.R v.L



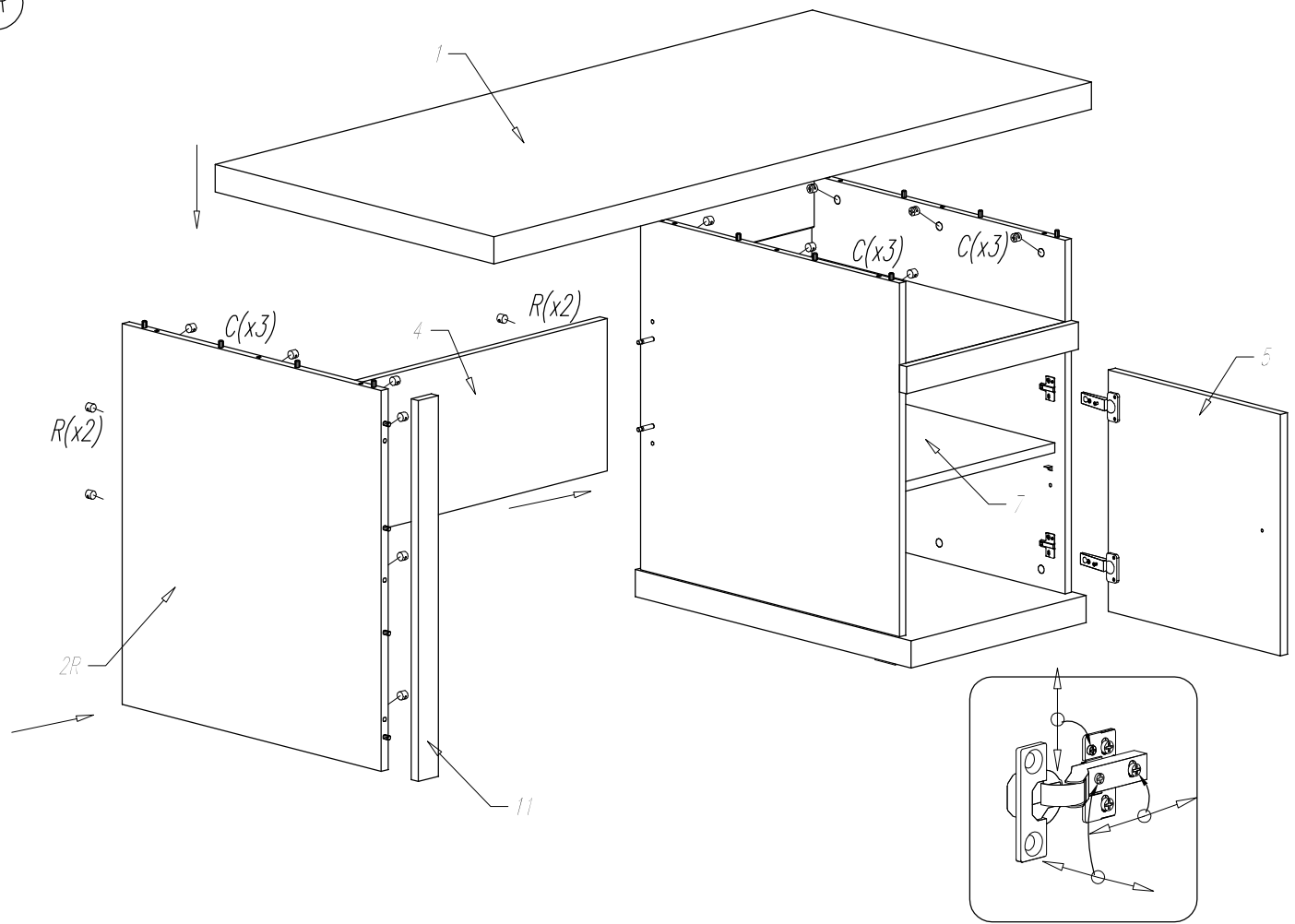
v.R



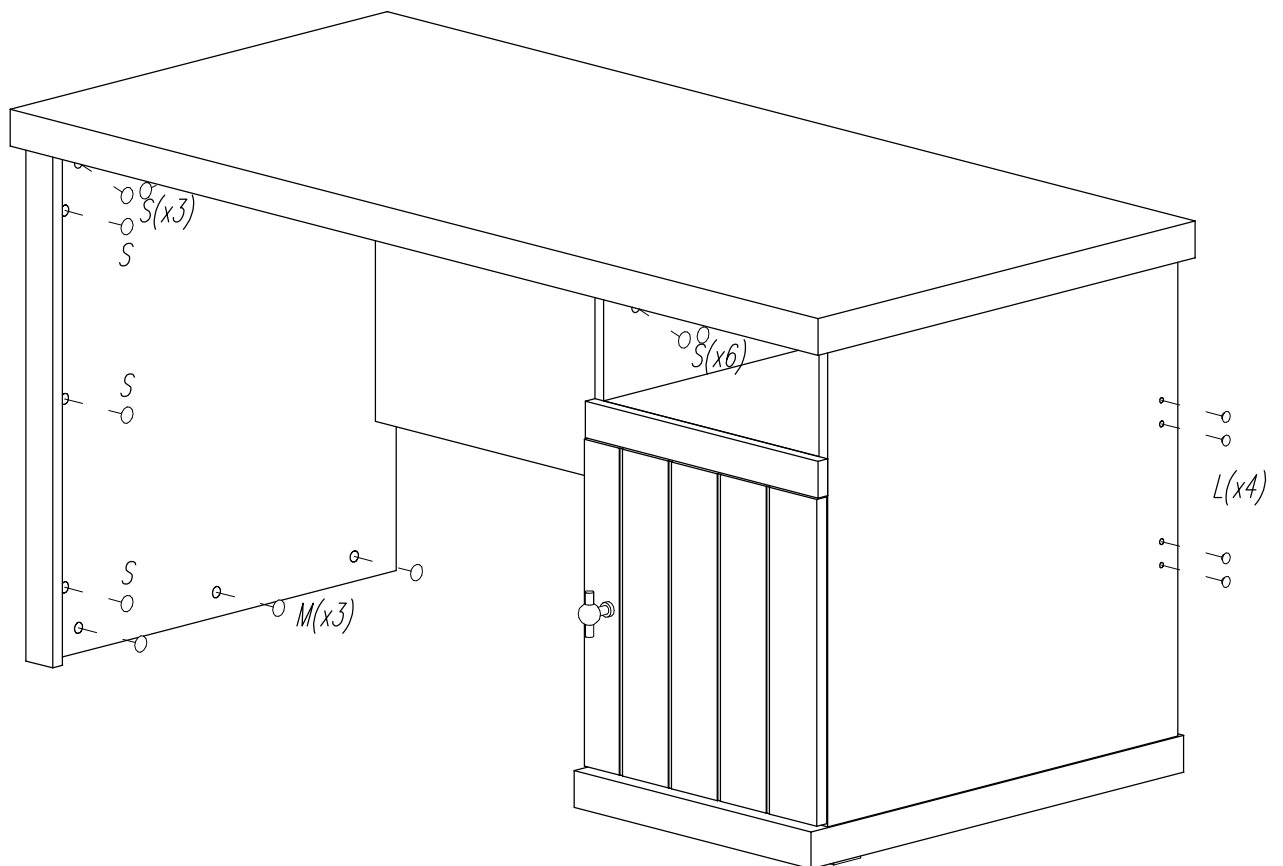
v.L



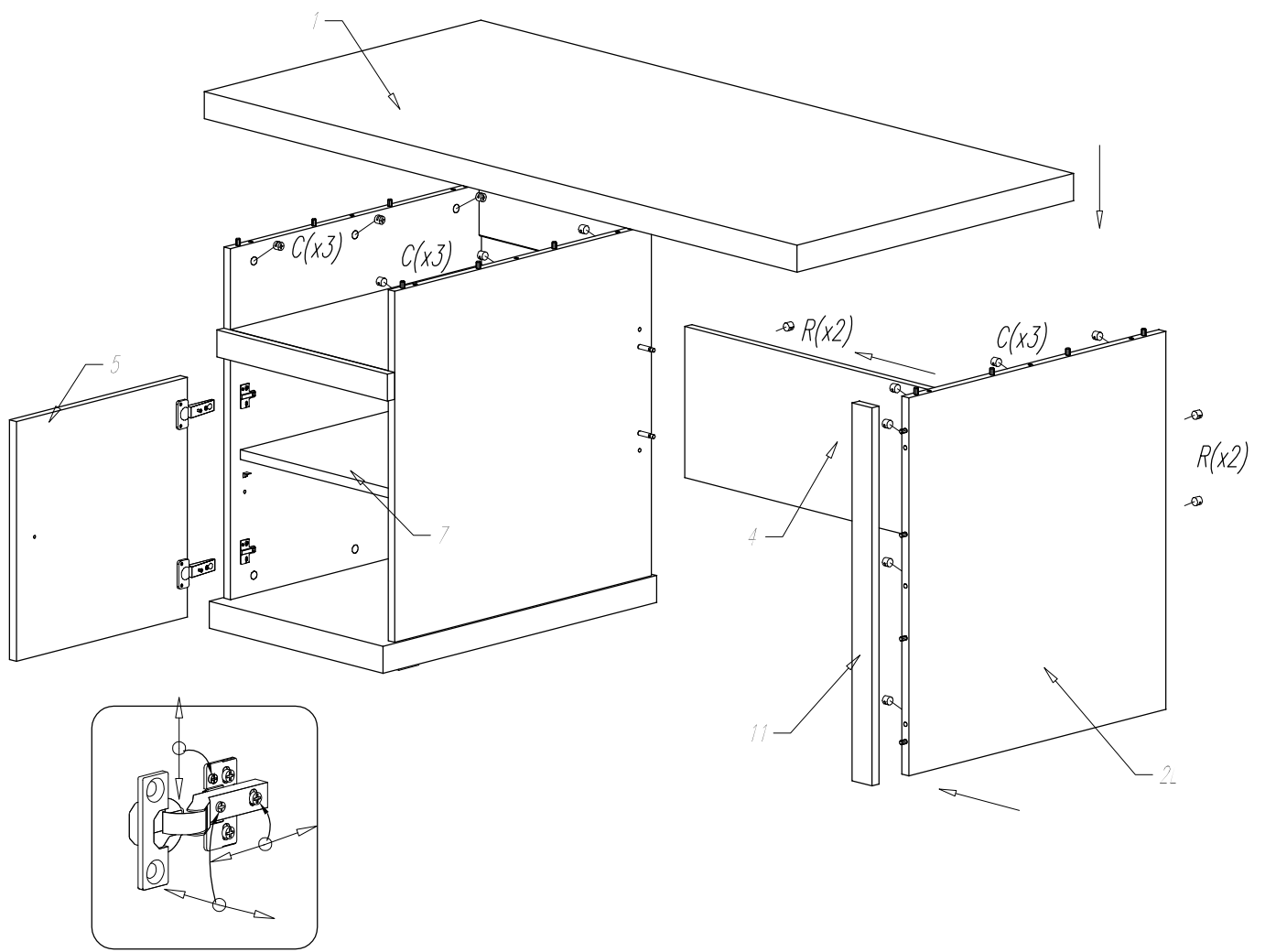
v.R



v.R



v.L



v.L

