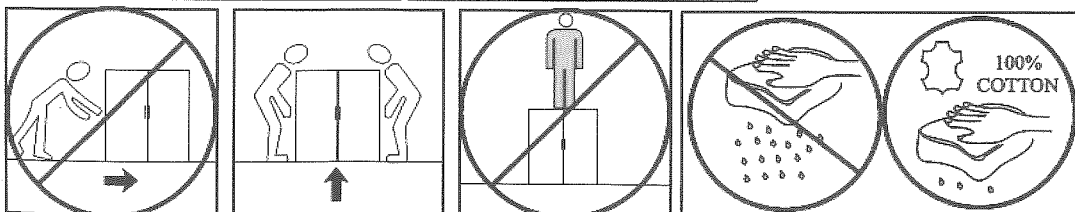
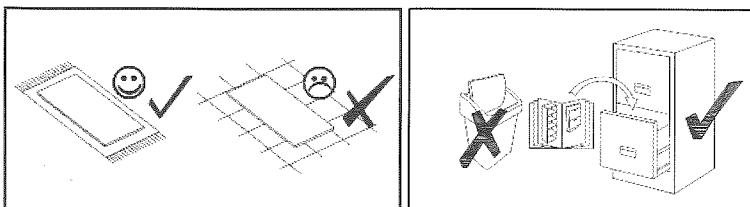
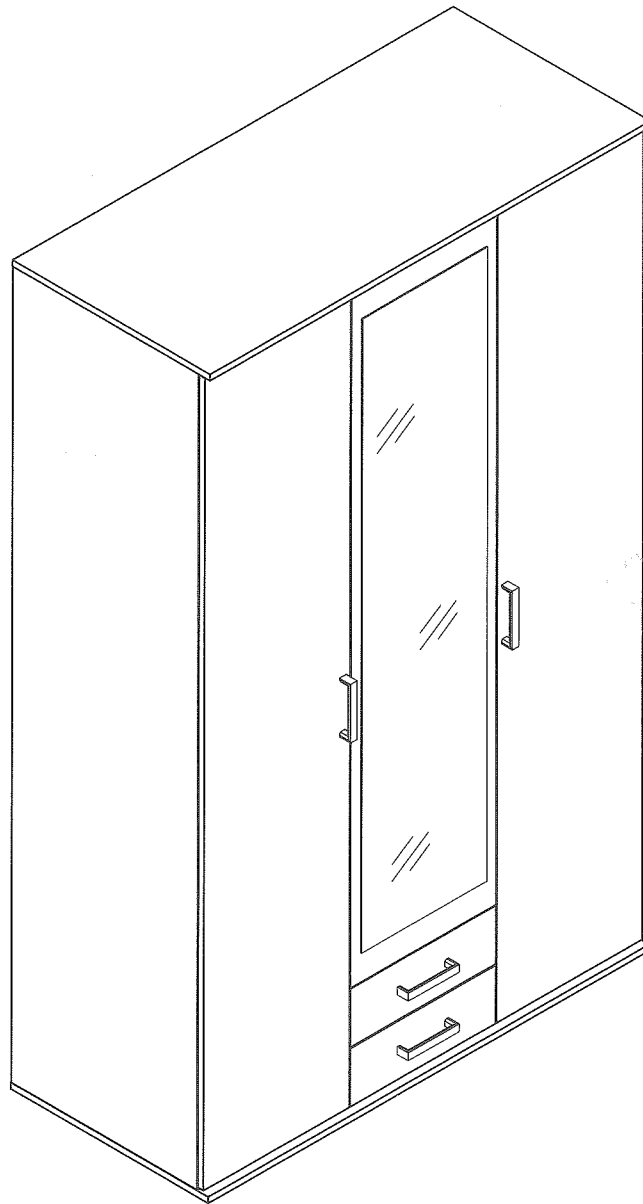
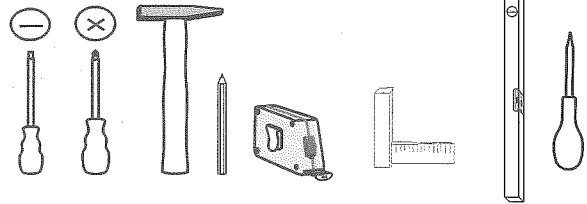
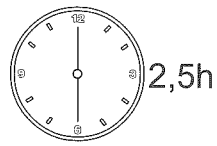
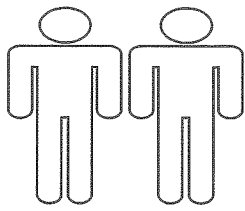


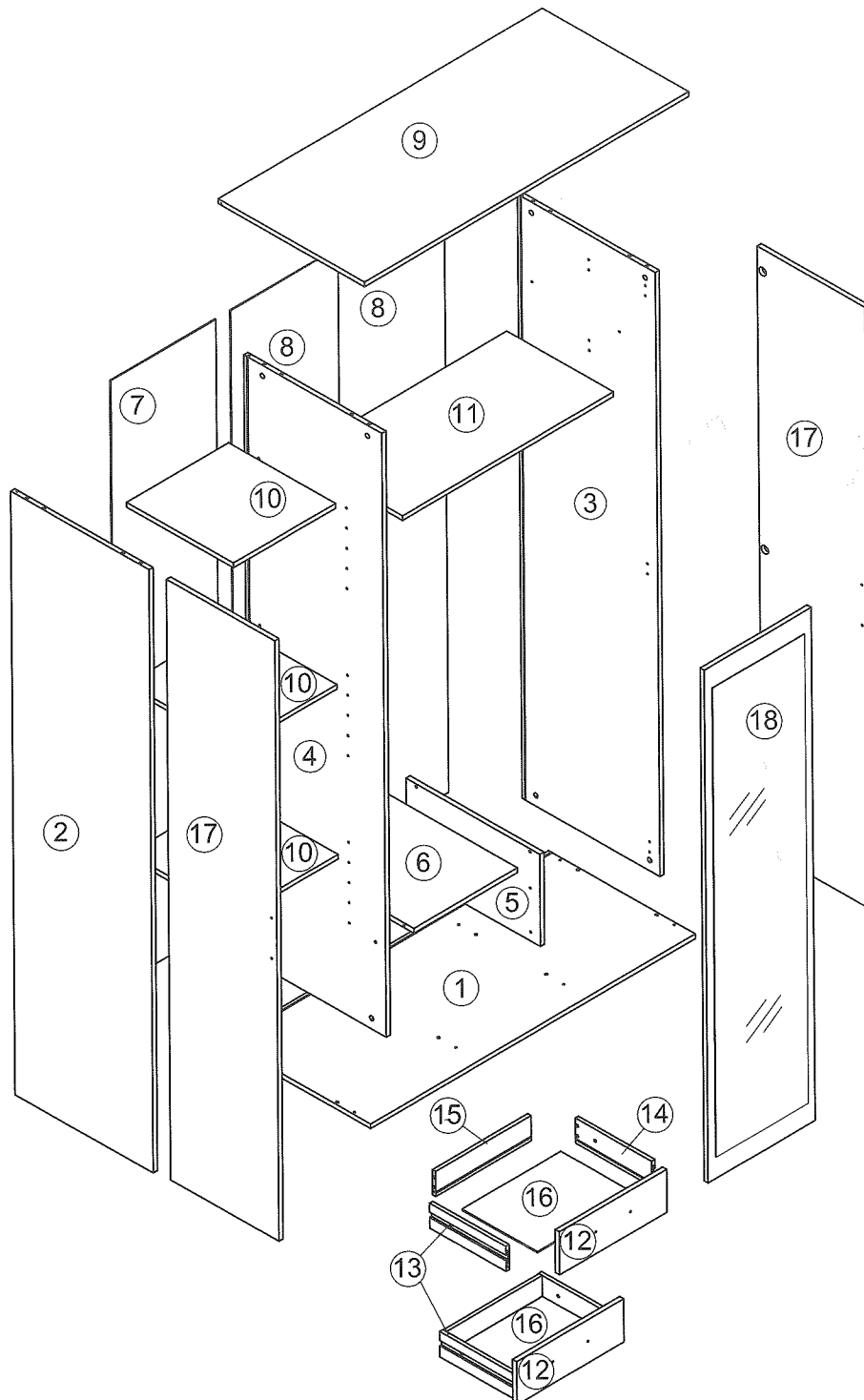
KARL Kleiderschrank 3- trg.

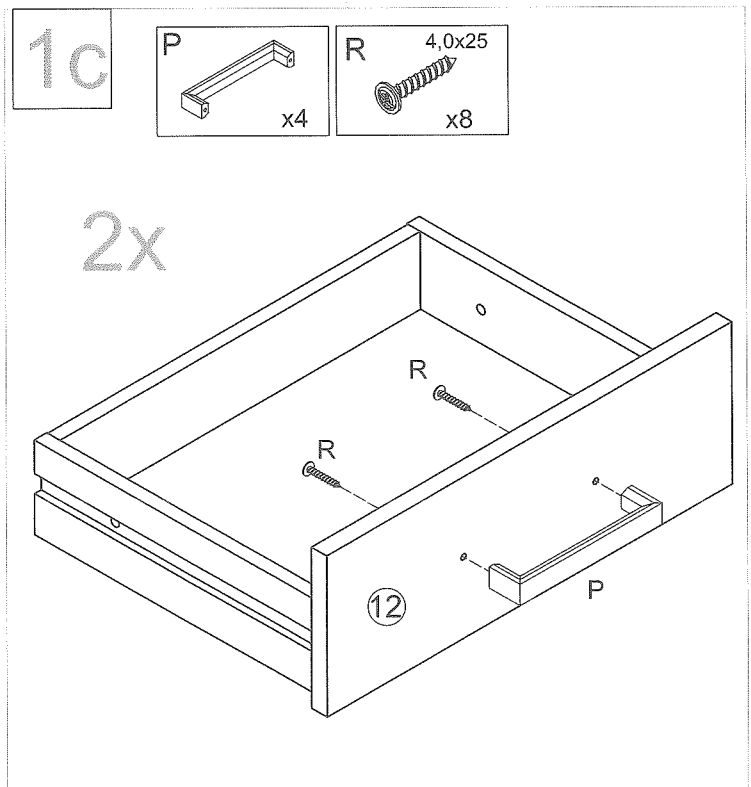
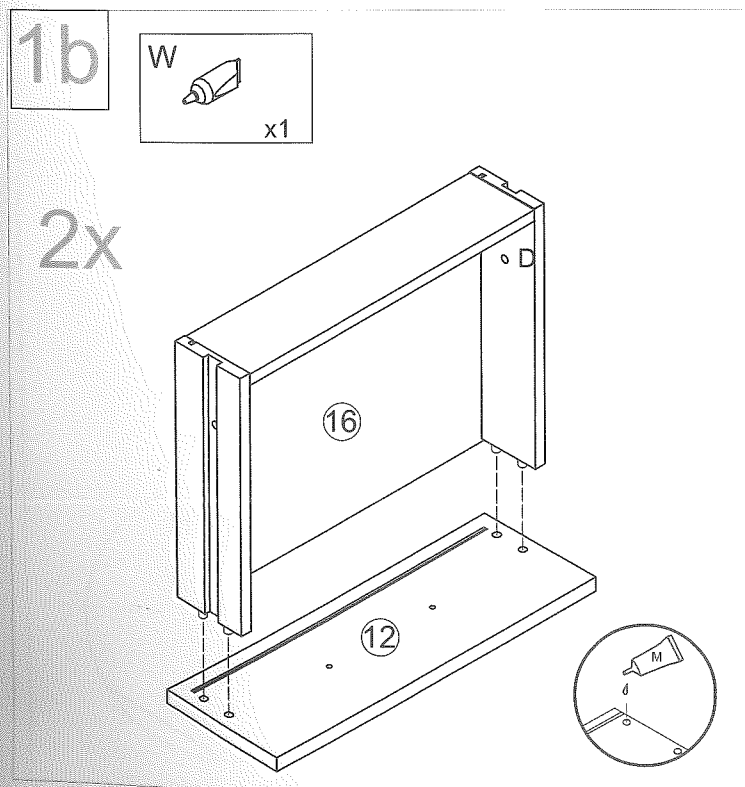
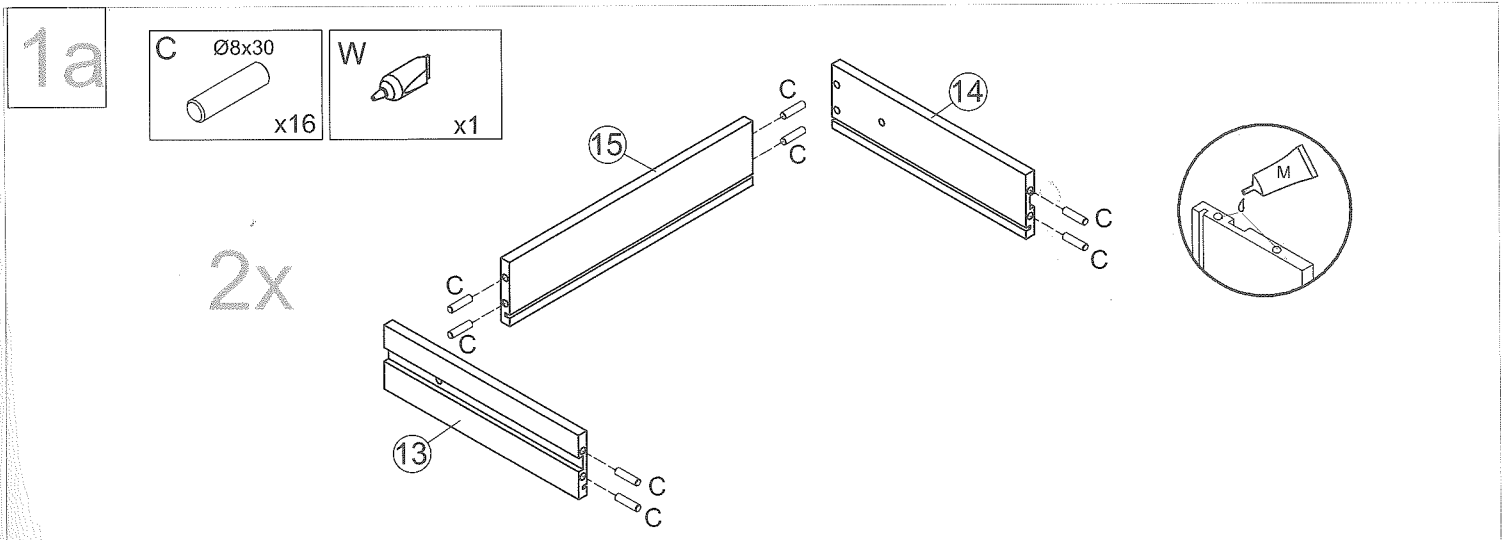
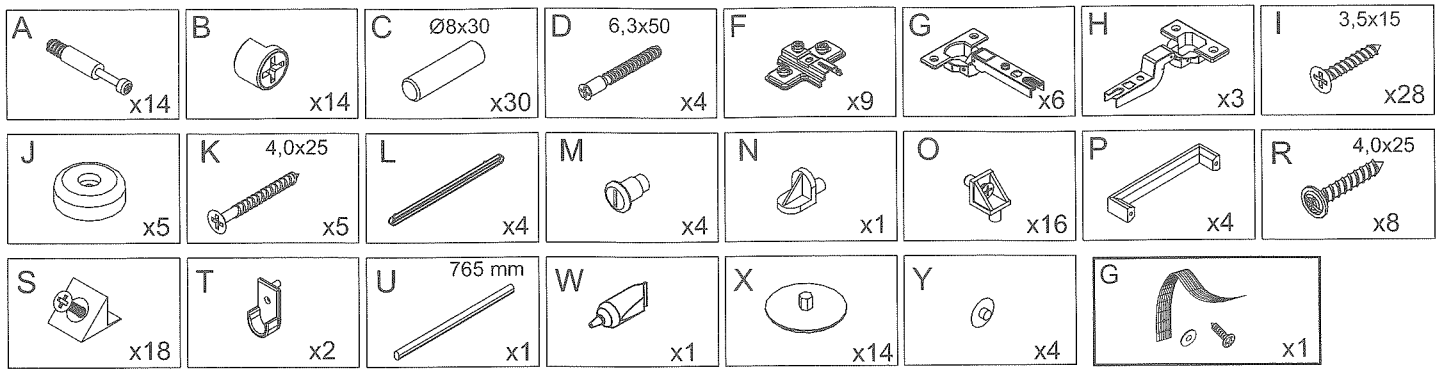
58-795-17-9



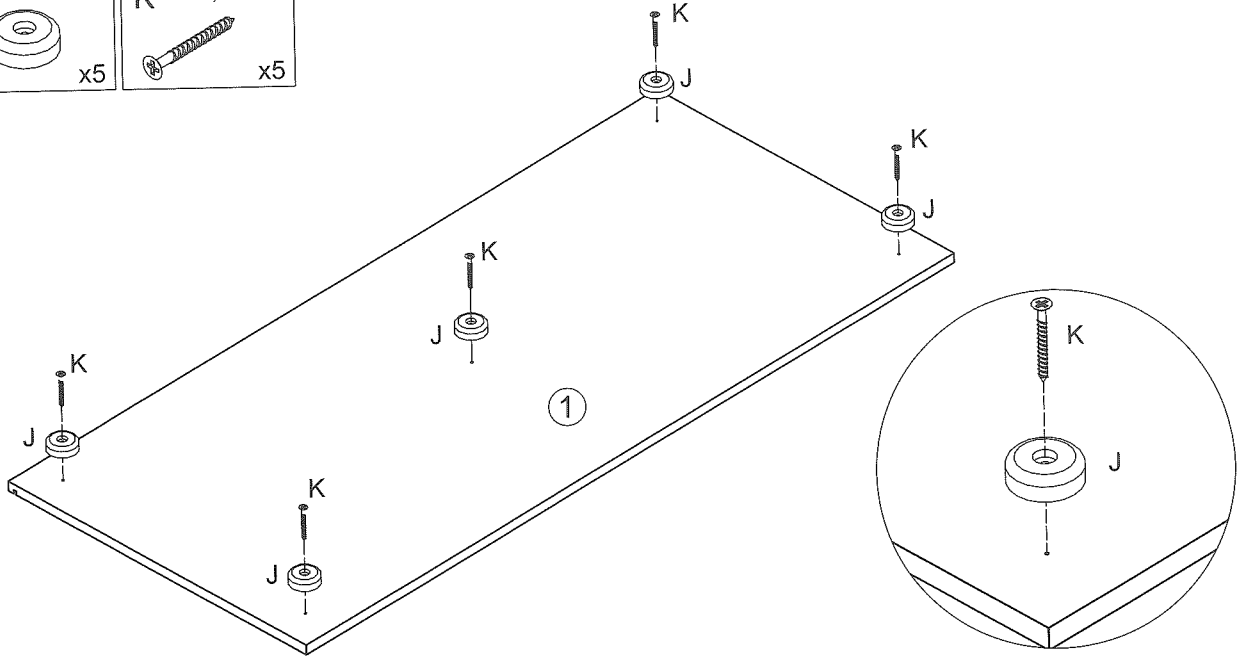
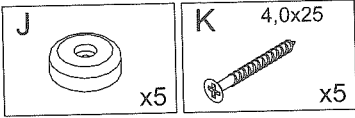
1	x1	ca. 1196 x 535 x 15	1/2
2	x1	ca. 1918 x 504 x 15	1/2
3	x1	ca. 1918 x 504 x 15	1/2
4	x1	ca. 1918 x 504 x 15	1/2
5	x1	ca. 293 x 490 x 15	1/2
6	x1	ca. 381 x 489 x 15	1/2
7	x1	ca. 1927 x 385 x 3	2/2
8	x2	ca. 1927 x 391 x 3	2/2
9	x1	ca. 1196 x 535 x 15	1/2

10	x3	ca. 375 x 390 x 15	2/2
11	x1	ca. 773 x 390 x 15	2/2
12	x2	ca. 395 x 137 x 15	2/2
13	x2	ca. 279 x 80 x 12	2/2
14	x2	ca. 279 x 80 x 12	2/2
15	x2	ca. 352 x 80 x 12	2/2
16	x2	ca. 361 x 276 x 3	2/2
17	x1	ca. 1909 x 395 x 15	2/2
18	x1	ca. 1630 x 395 x 15	2/2

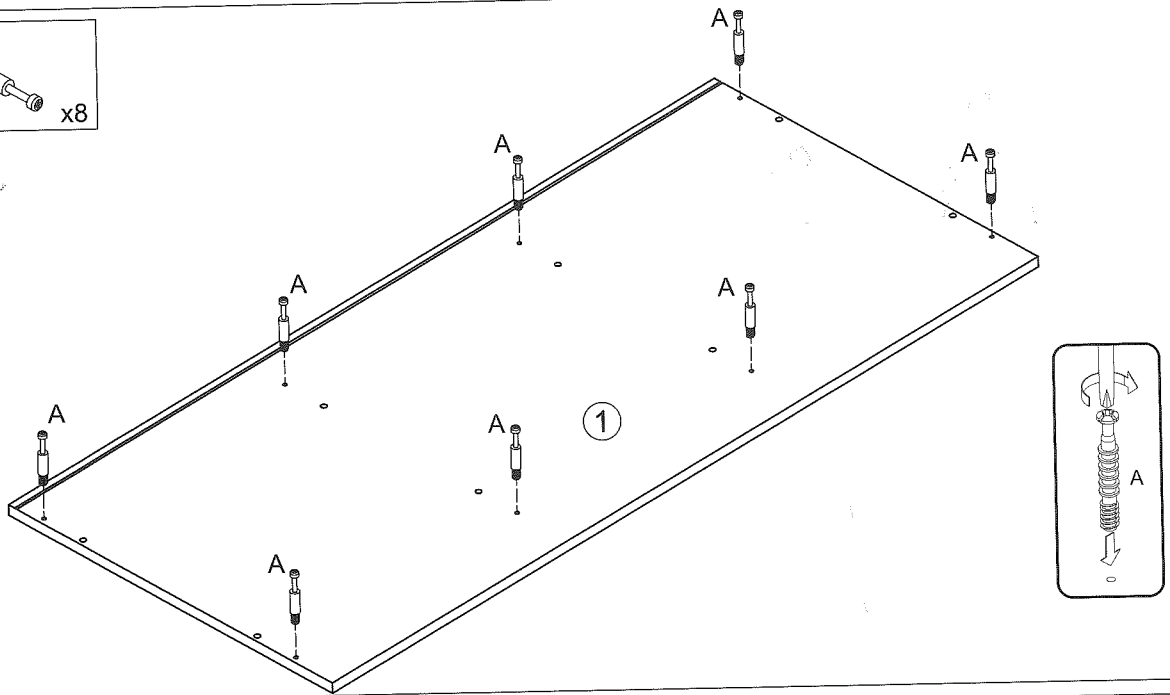
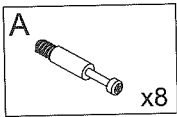




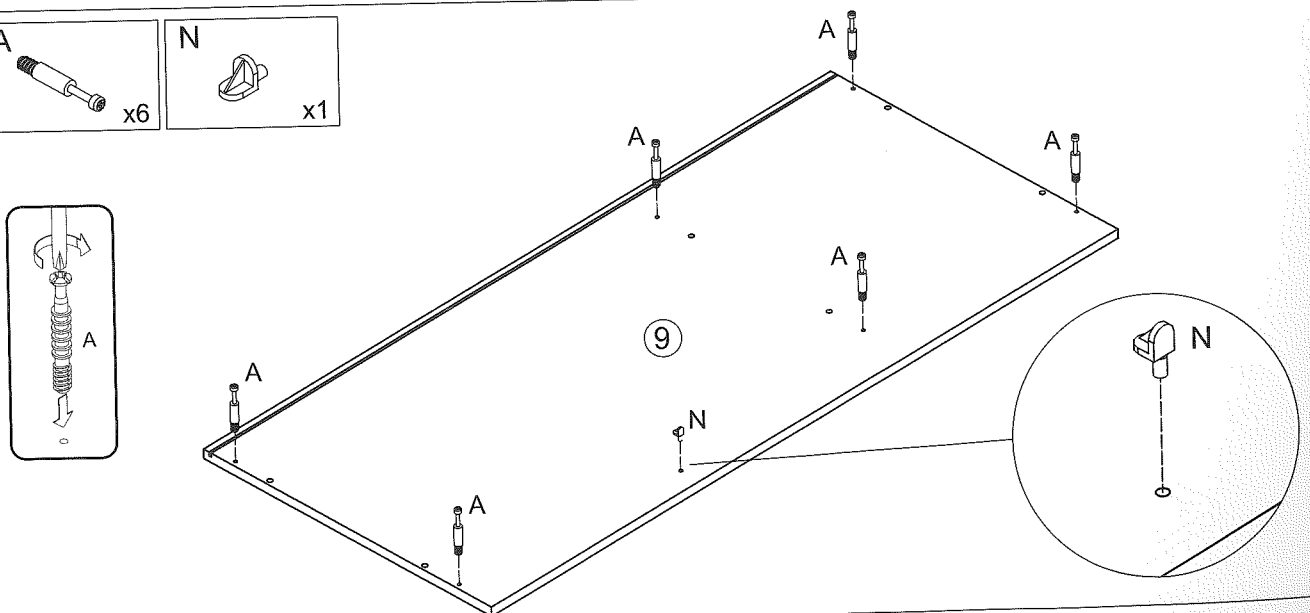
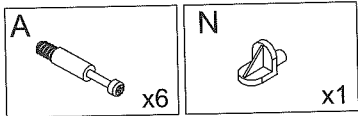
2



3

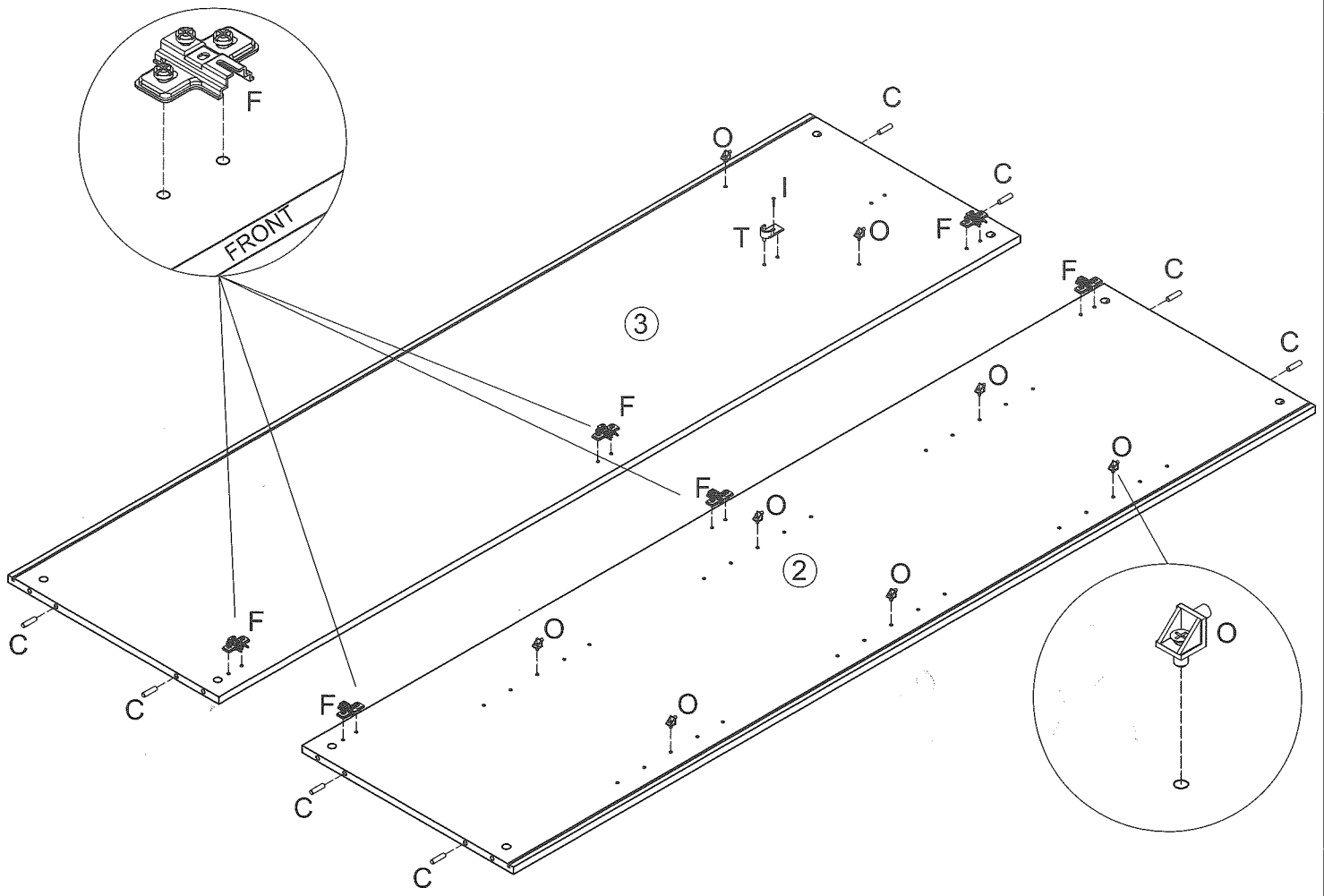


4



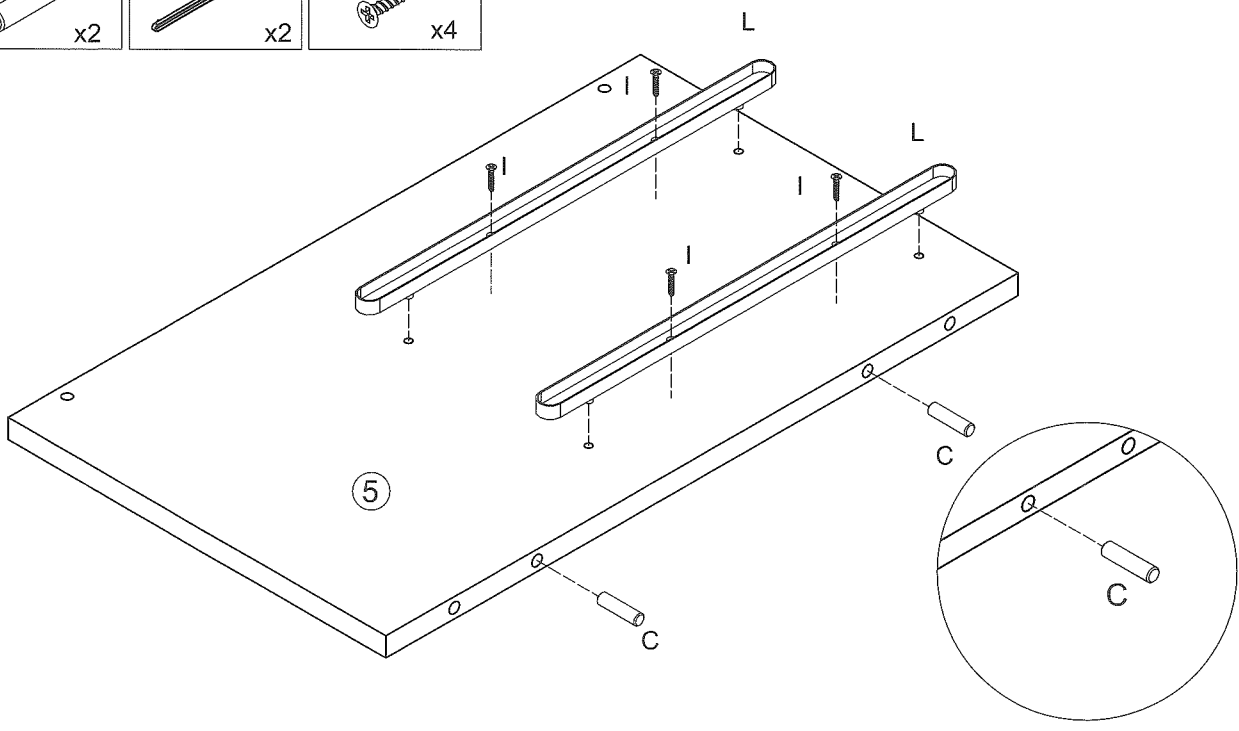
5

- C Ø8x30 x8
- F x6
- O x8
- T x1
- I 3,5x15 x1



6

- C Ø8x30 x2
- L x2
- I 3,5x15 x4



7

C $\varnothing 8 \times 30$
x4

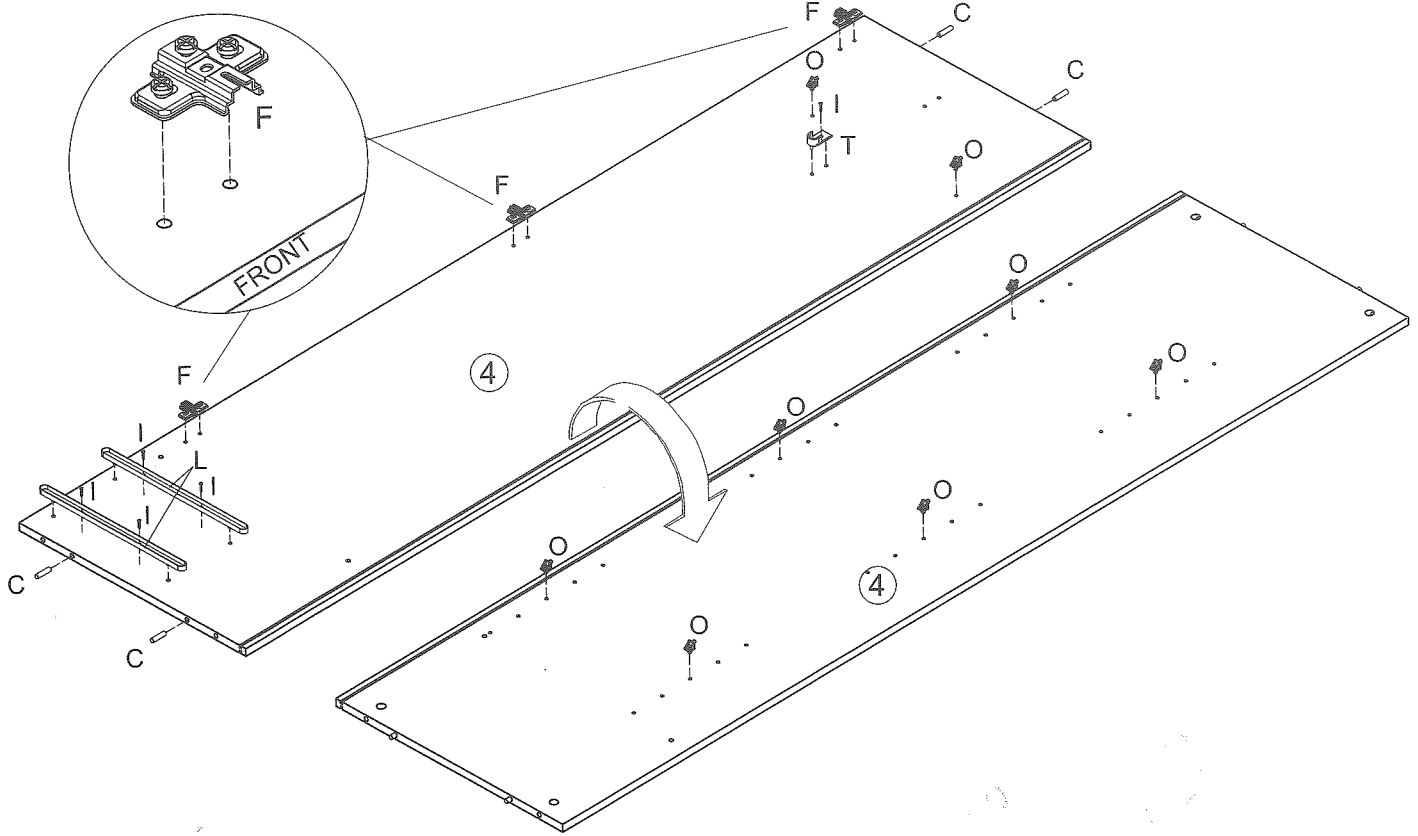
F
x3

L
x2

O
x8

T
x1

I 3,5x15
x5

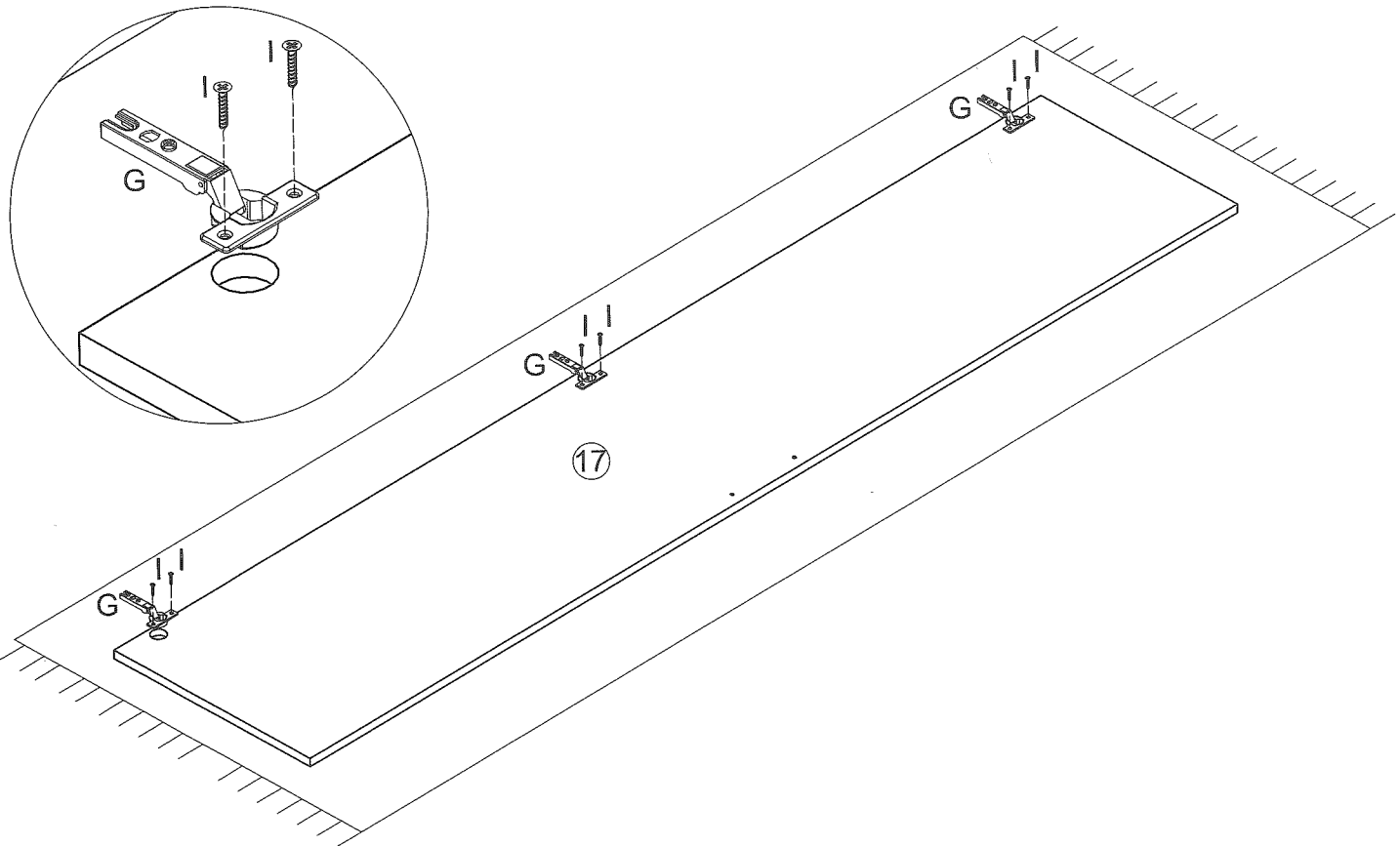


8

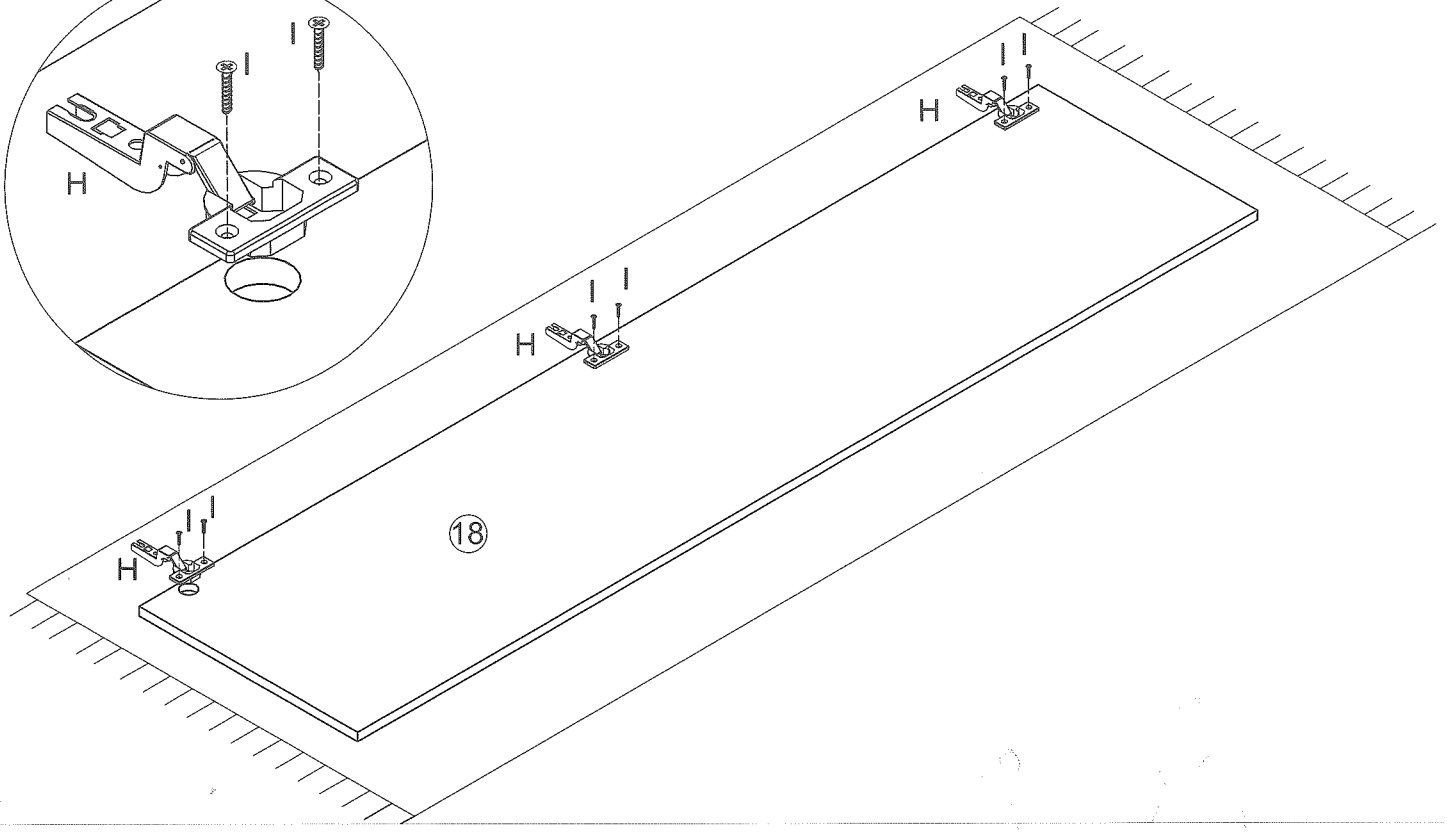
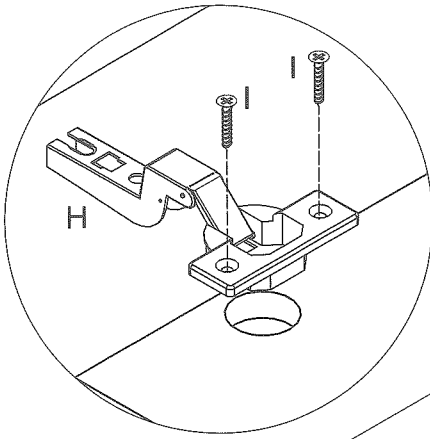
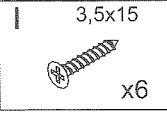
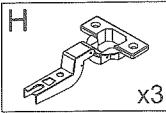
G
x6

I 3,5x15
x12

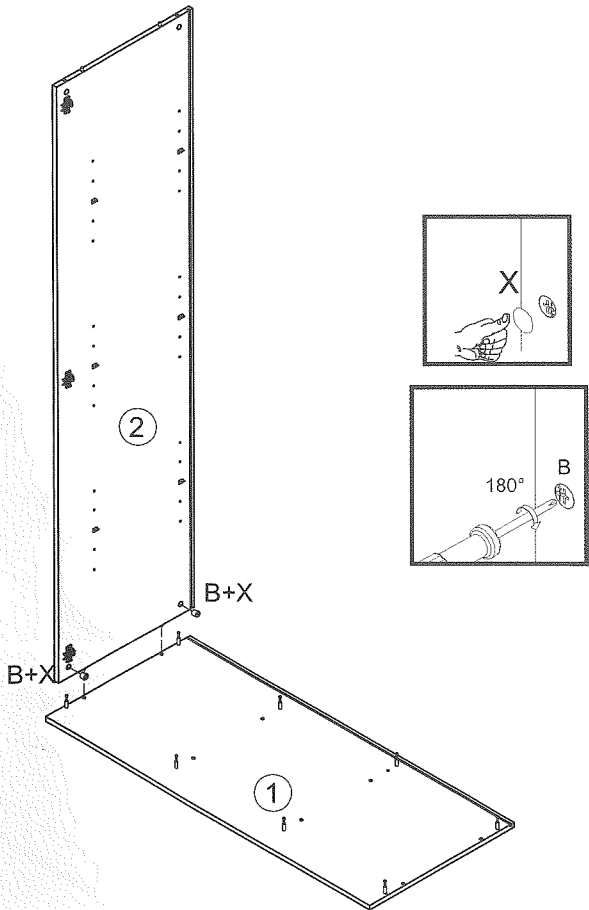
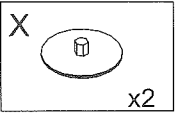
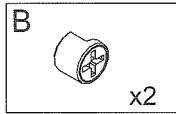
2x



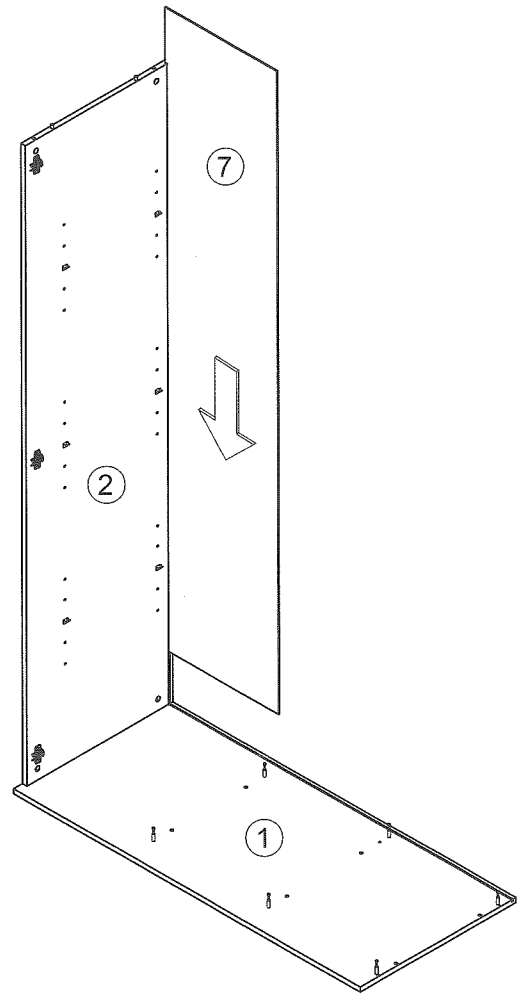
9



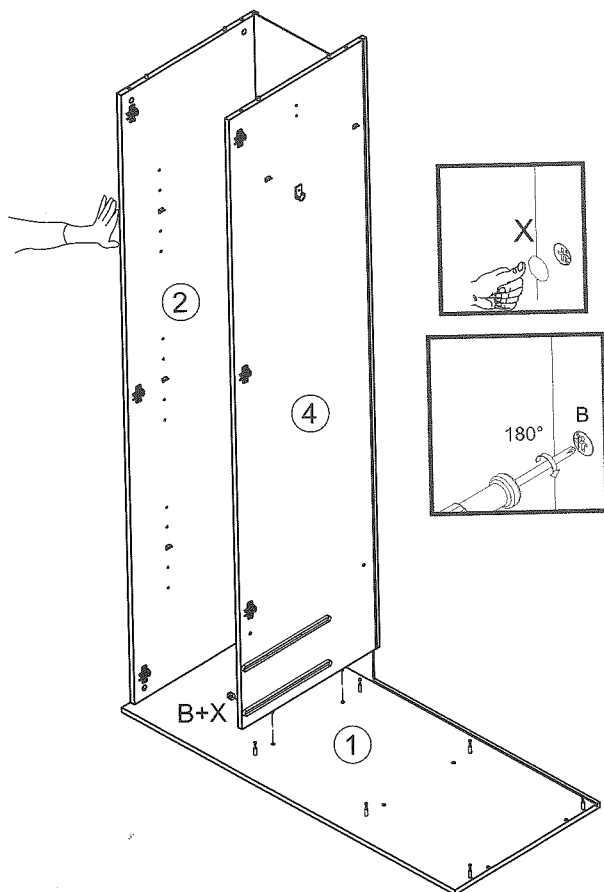
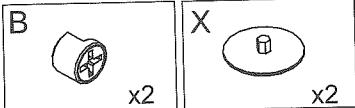
10



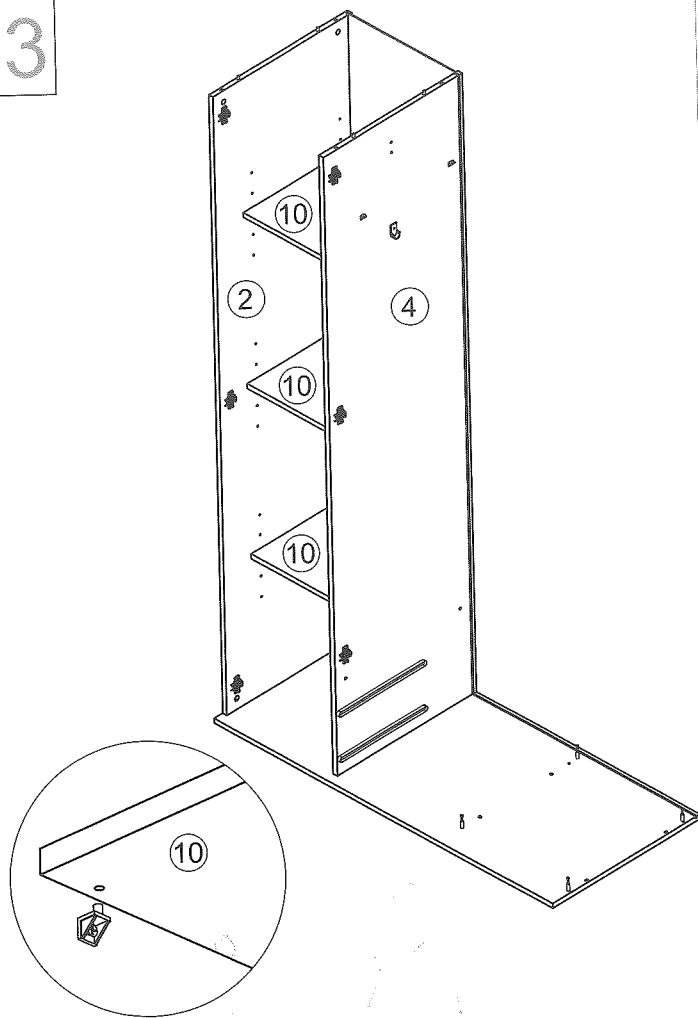
11



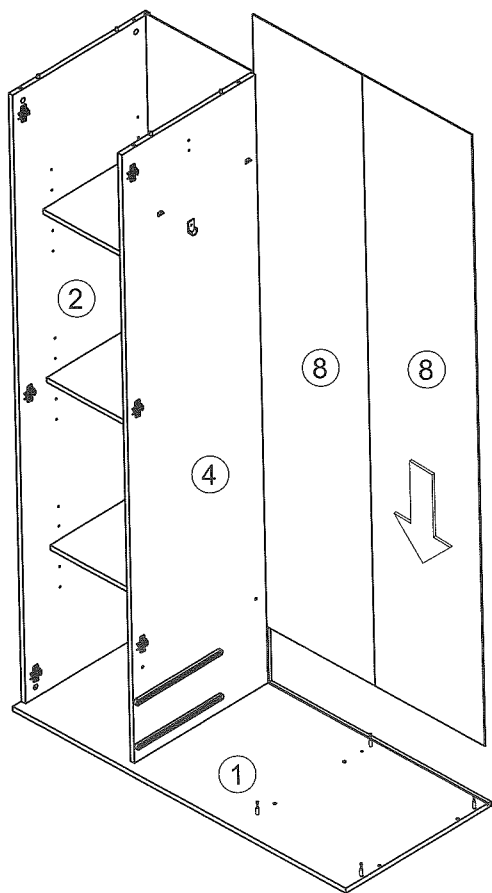
12



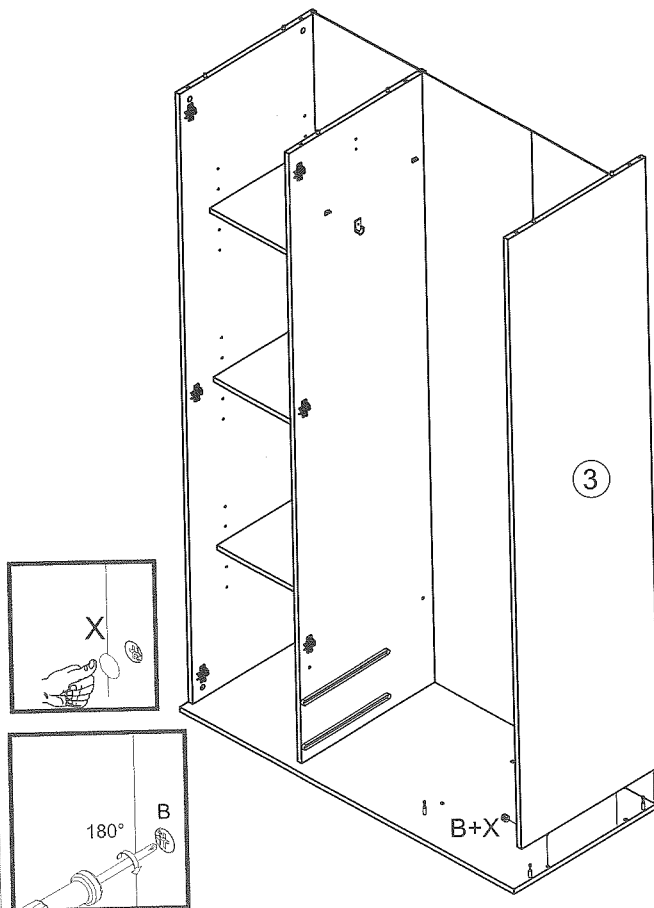
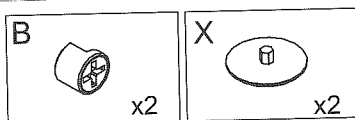
13



14



15



16

B

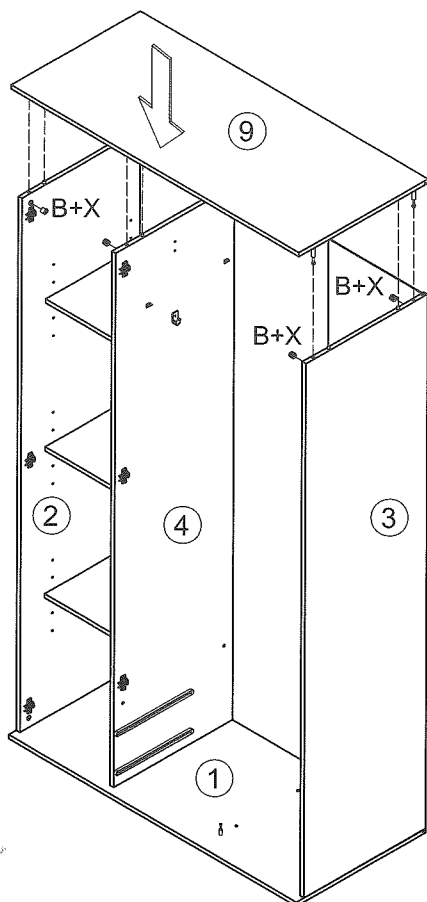
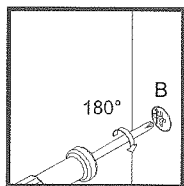
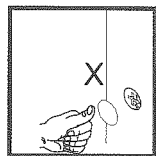


x6

X



x6



17

B

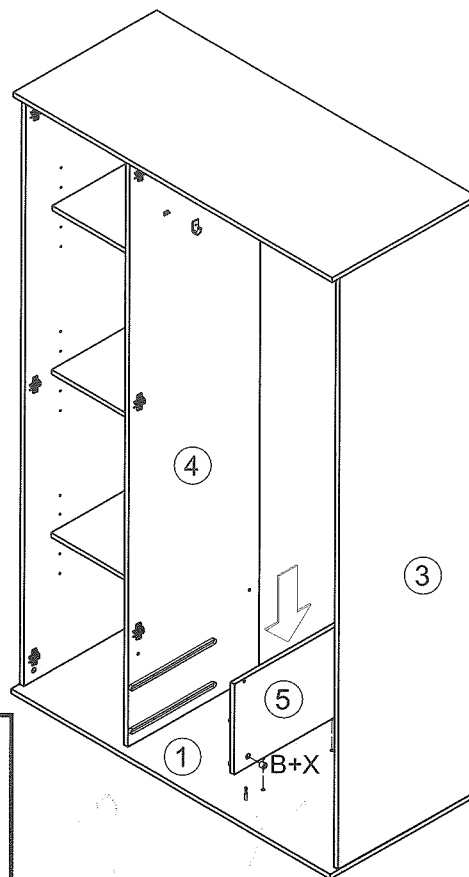
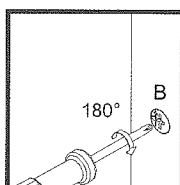
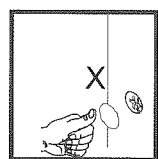


x2

X



x2



18

D

6,3x50

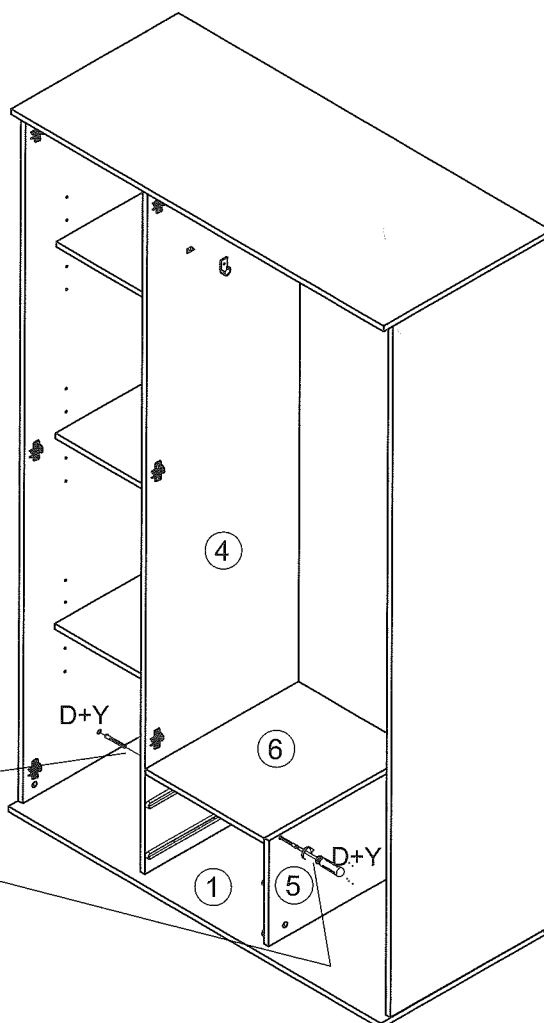
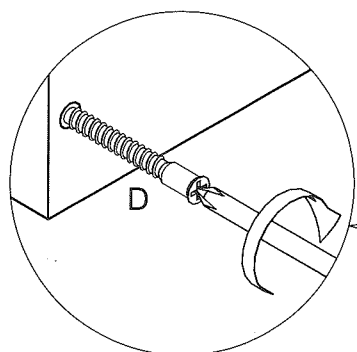


x4

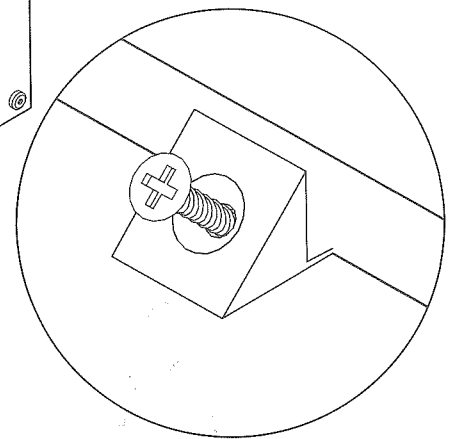
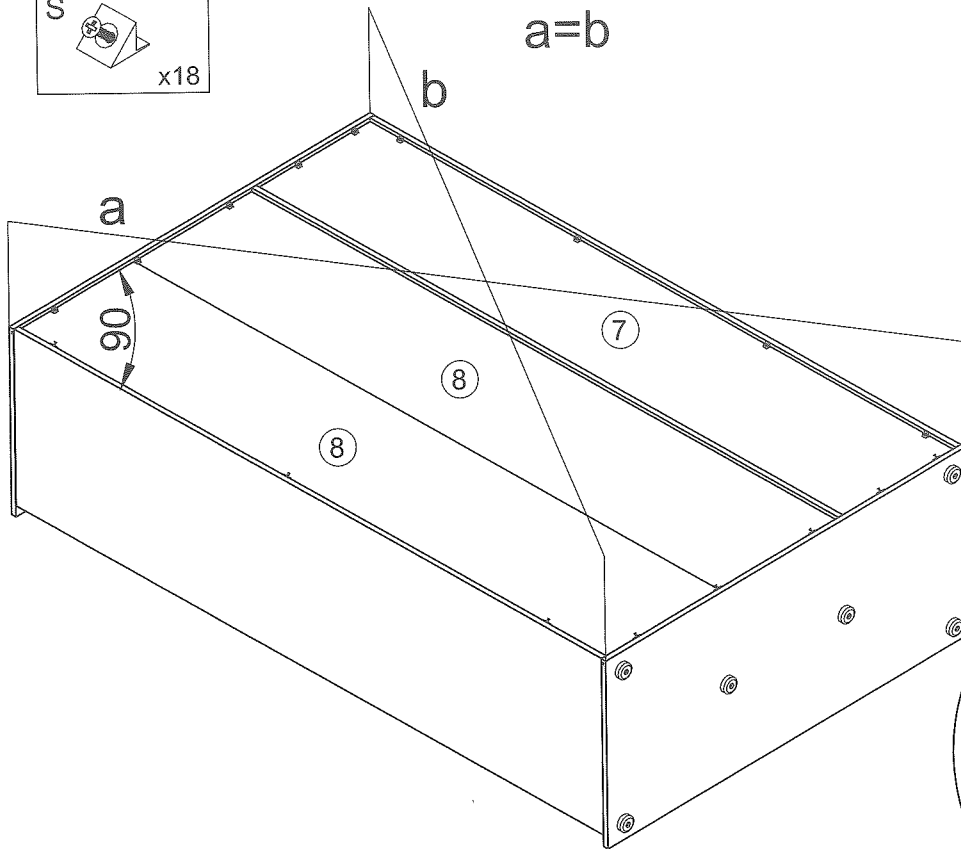
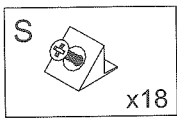
Y



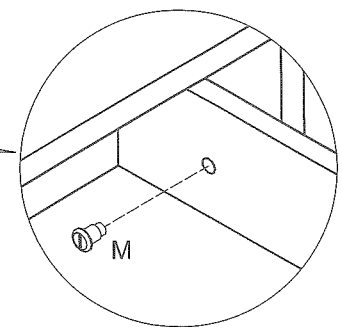
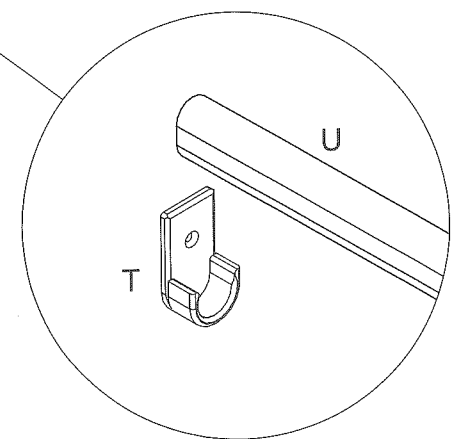
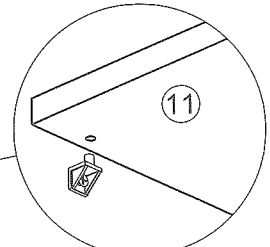
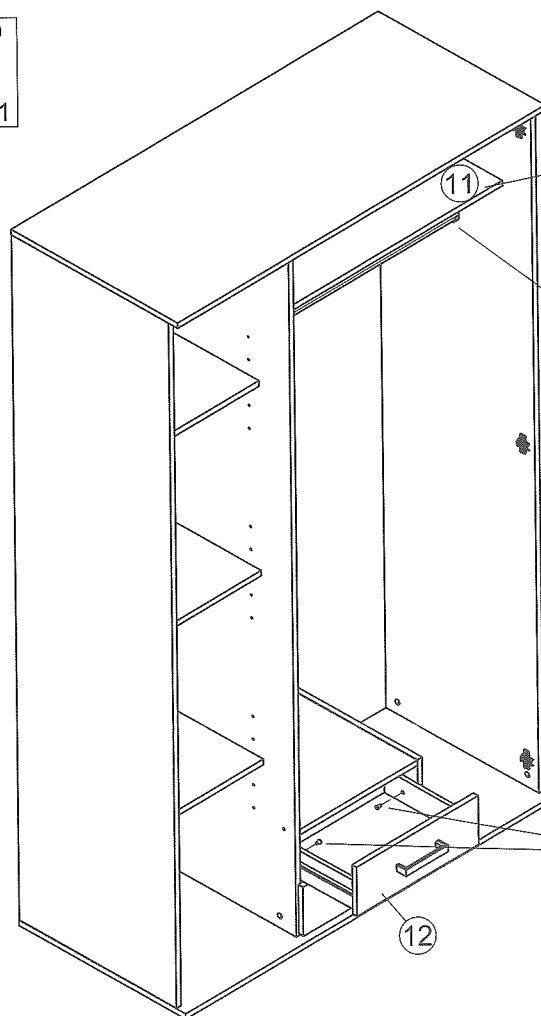
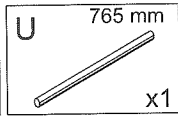
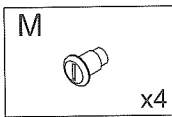
x4



19



20



- P x2
- R 4,0x25 x4

