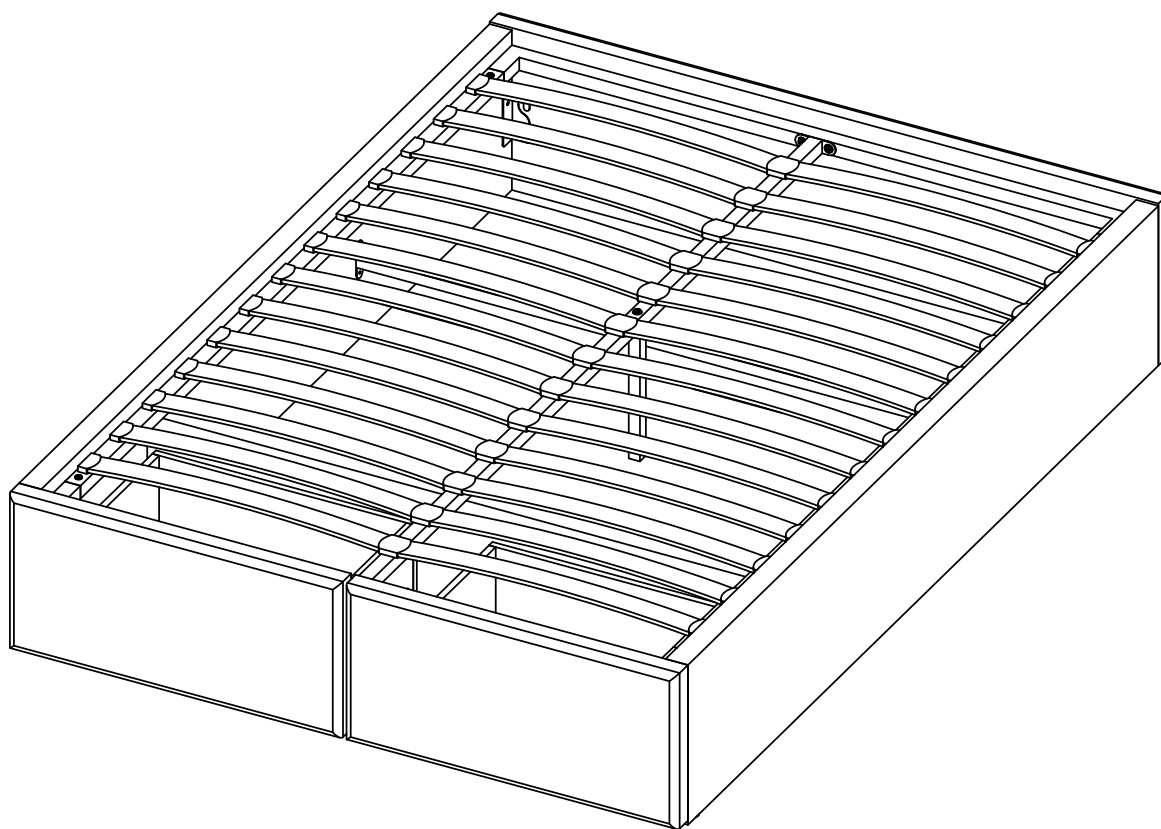
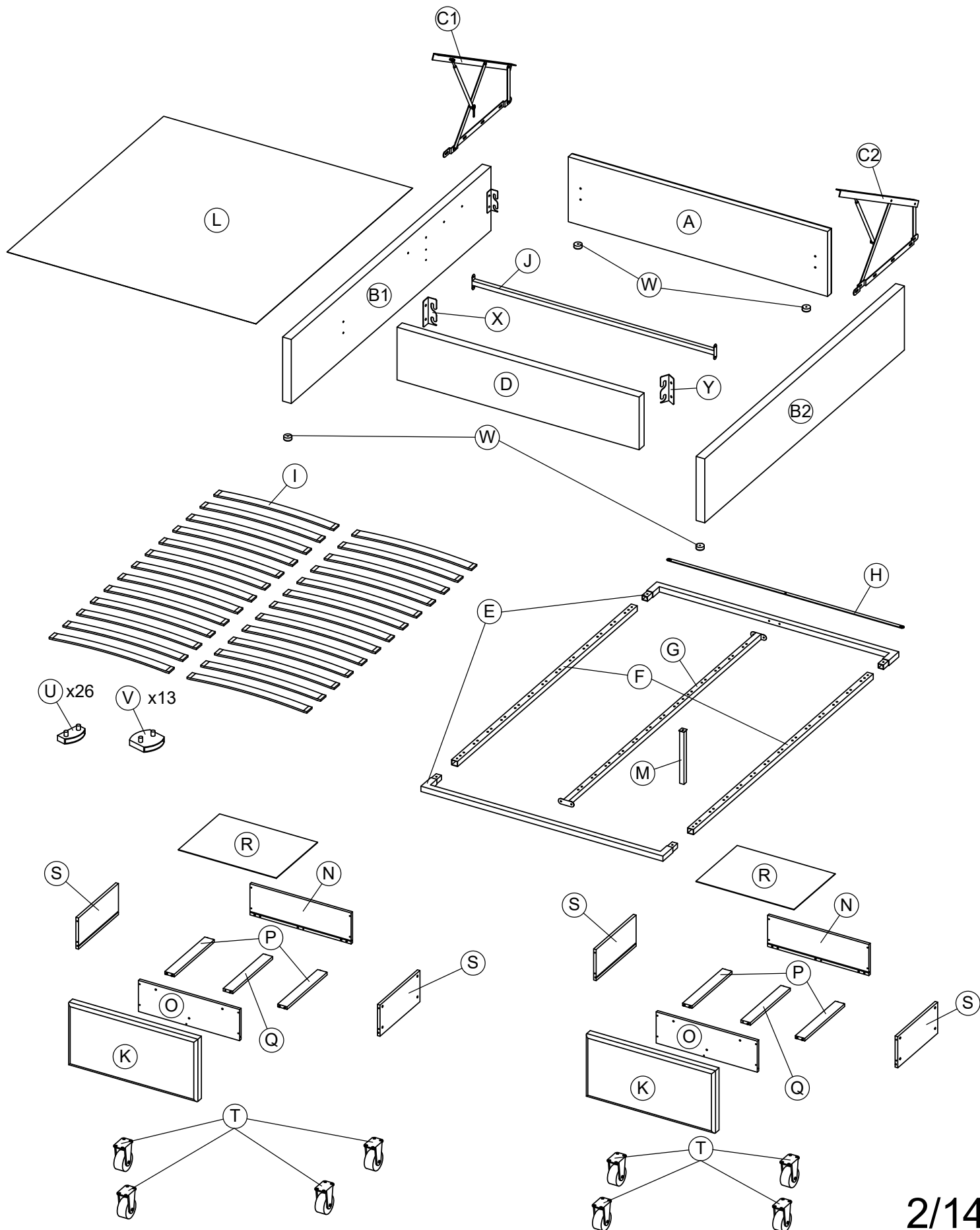


# MONTAGEANLEITUNG




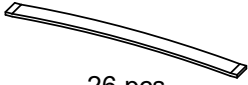
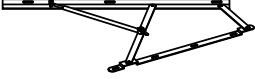
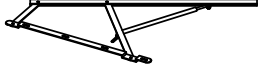


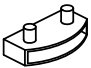




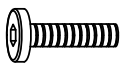







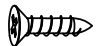
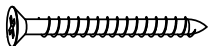
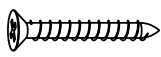

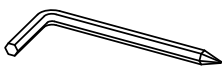
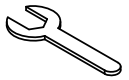
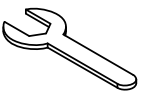


# MONTAGEANLEITUNG



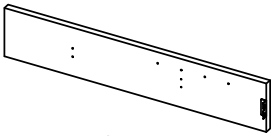
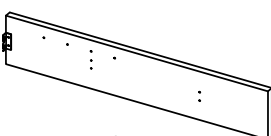
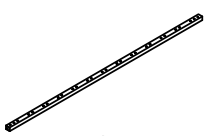
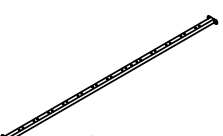
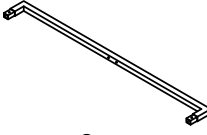
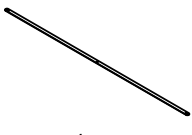
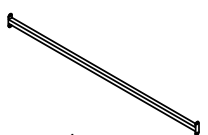
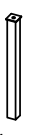
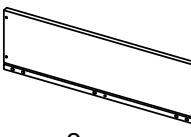
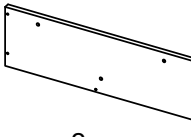
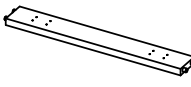
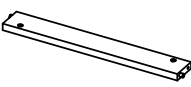
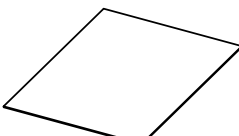

EINE TEILLISTE  
DEN HARDWARE KRAM



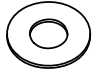
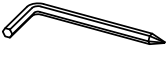
WF315173

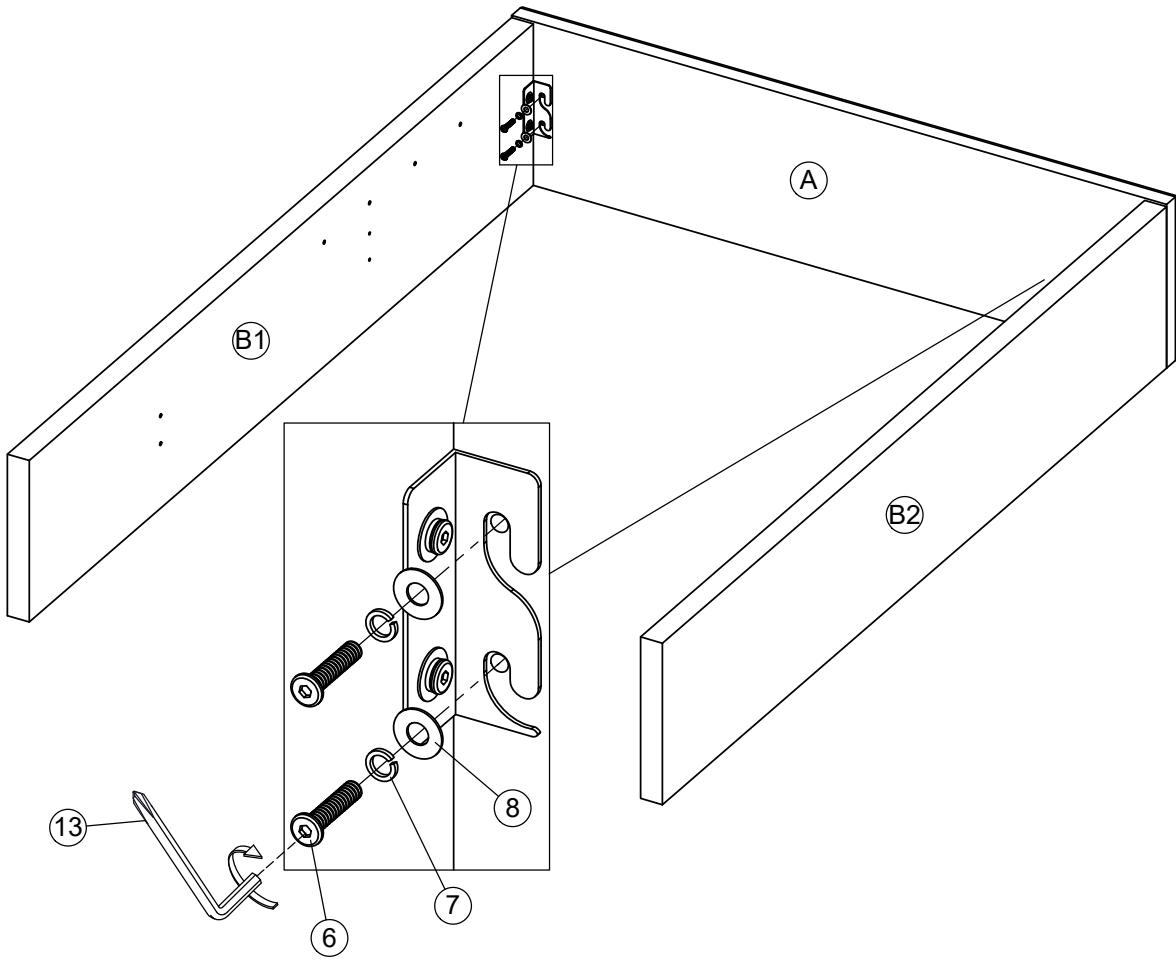
<p>A</p>  <p>1 pc</p>	<p>D</p>  <p>1 pc</p>	<p>K</p>  <p>2 pcs</p>	<p>I</p>  <p>26 pcs</p>
<p>C1</p>  <p>1 pc</p>	<p>C2</p>  <p>1 pc</p>	<p>L</p>  <p>1 pc</p>	<p>T</p>  <p>8 pcs</p>
<p>U</p>  <p>26 pcs</p>	<p>V</p>  <p>13 pcs</p>	<p>W</p>  <p>4 pcs</p>	<p>X</p>  <p>1 pc</p>
<p>Y</p>  <p>1 pc</p>			
<p>1</p>  <p>M6x25mm 11 pcs</p>	<p>2</p>  <p>M6x30mm 6 pcs</p>	<p>3</p>  <p>M6x35mm 9 pcs</p>	<p>4</p>  <p>M6x18x2mm 26 pcs</p>
<p>5</p>  <p>M6mm 4 pcs</p>	<p>6</p>  <p>M8x35mm 20 pcs</p>	<p>7</p>  <p>M8mm 12 pcs</p>	<p>8</p>  <p>M8x22x2mm 20 pcs</p>
<p>9</p>  <p>M4x16mm 32 pcs</p>	<p>10</p>  <p>M4x40mm 20 pcs</p>	<p>11</p>  <p>M4x30mm 4 pcs</p>	<p>12</p>  <p>4mm 1 pc</p>
<p>13</p>  <p>5mm 1 pc</p>	<p>14</p>  <p>M6mm 1 pc</p>	<p>15</p>  <p>M8mm 1 pc</p>	



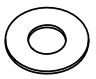
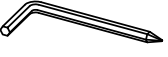
EINE TEILLISTE

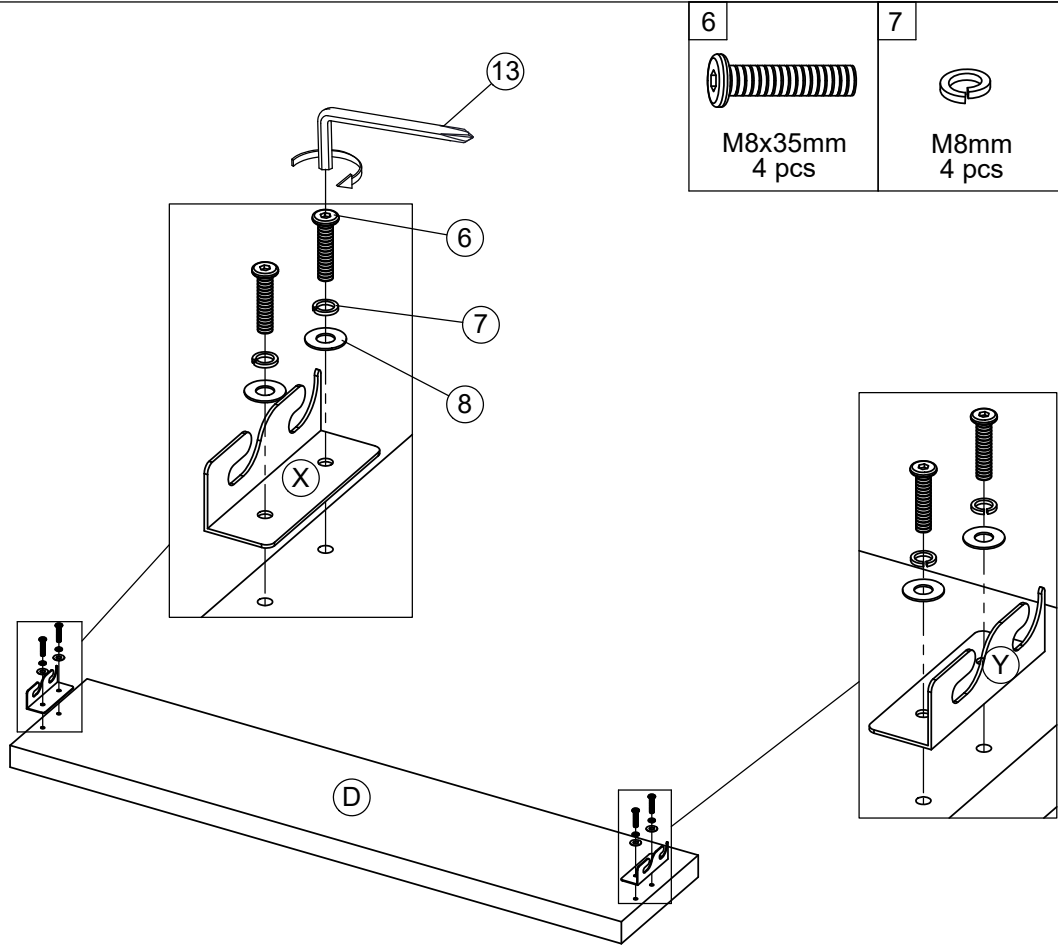
WF315174

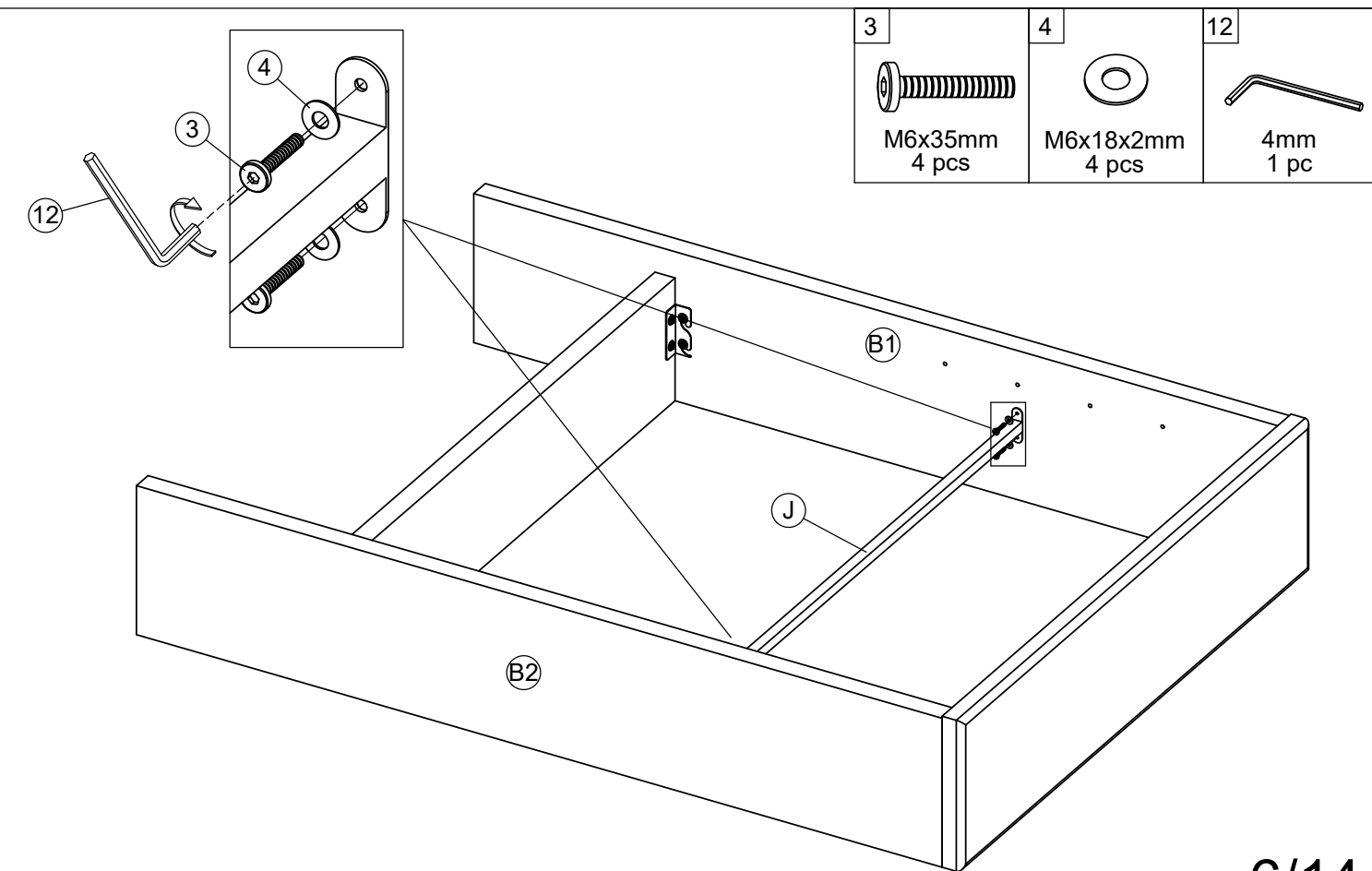
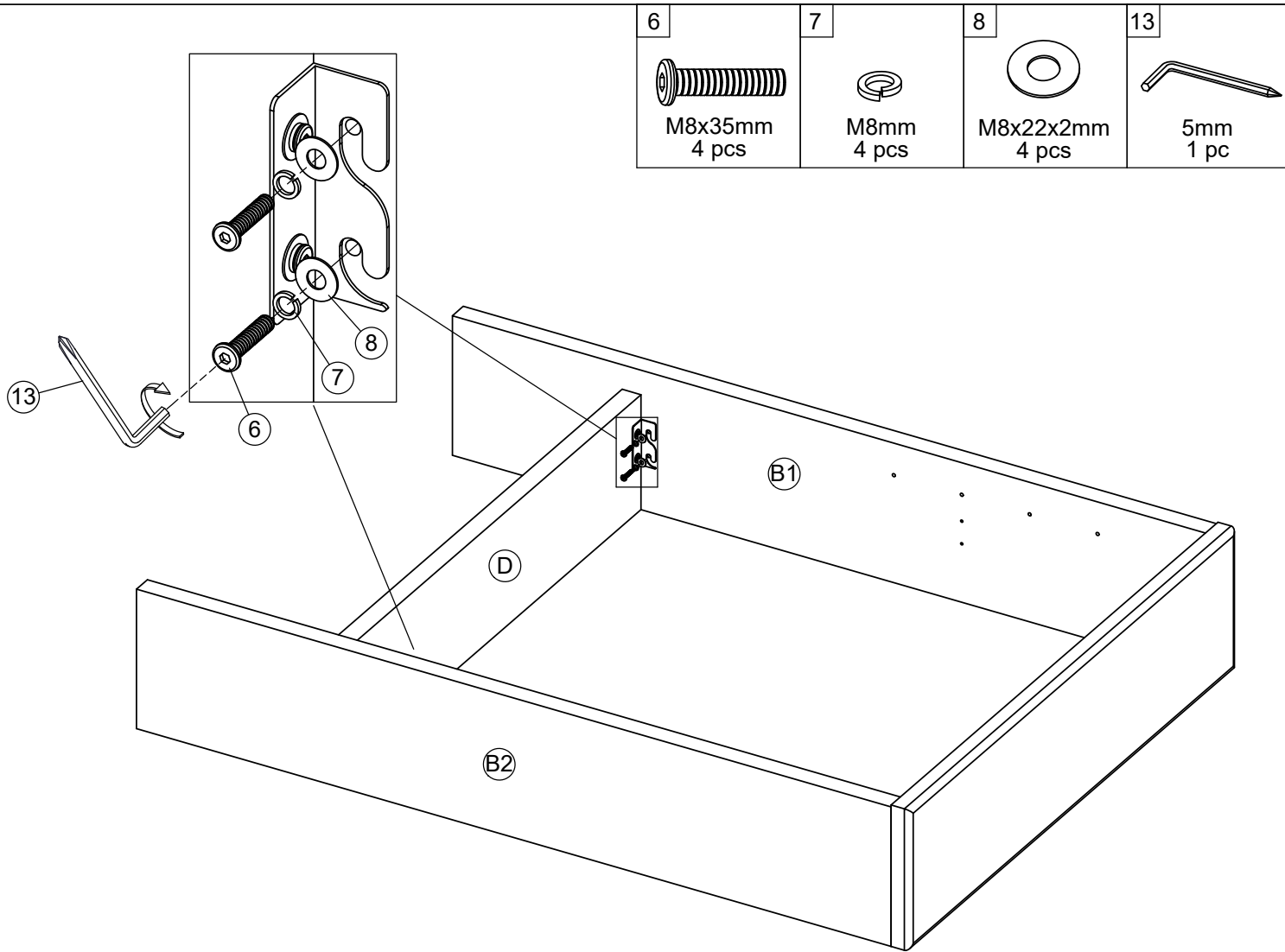
B1  1 pc	B2  1 pc	F  2 pcs	G  1 pc
E  2 pcs	H  1 pc	J  1 pc	M  1 pc
N  2 pcs	O  2 pcs	P  4 pcs	Q  2 pcs
R  2 pcs	S  4 pcs		




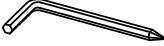
<p>6</p>  <p>M8x35mm 4 pcs</p>	<p>7</p>  <p>M8mm 4 pcs</p>	<p>8</p>  <p>M8x22x2mm 4 pcs</p>	<p>13</p>  <p>5mm 1 pc</p>
---	--	--	---

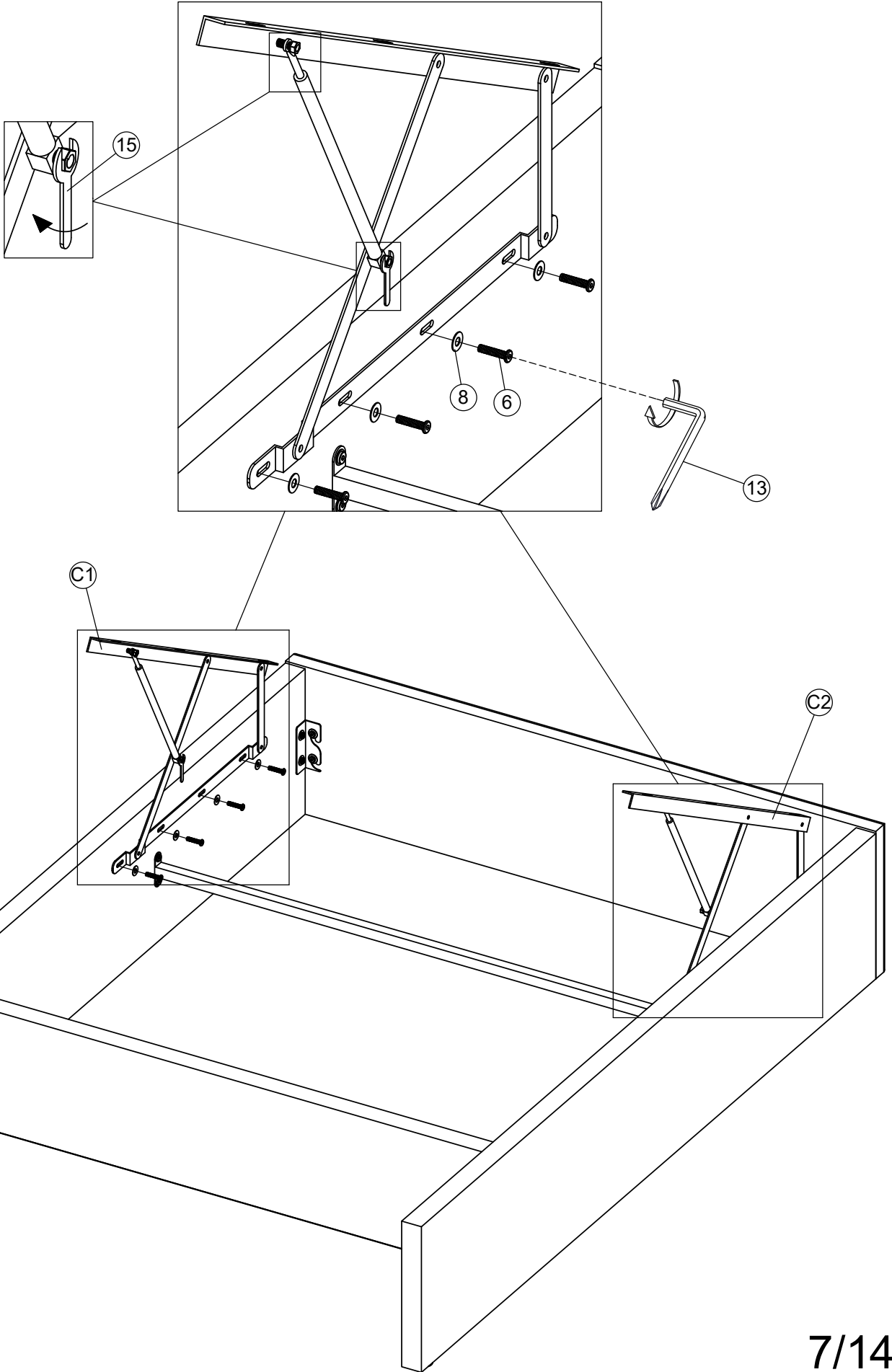


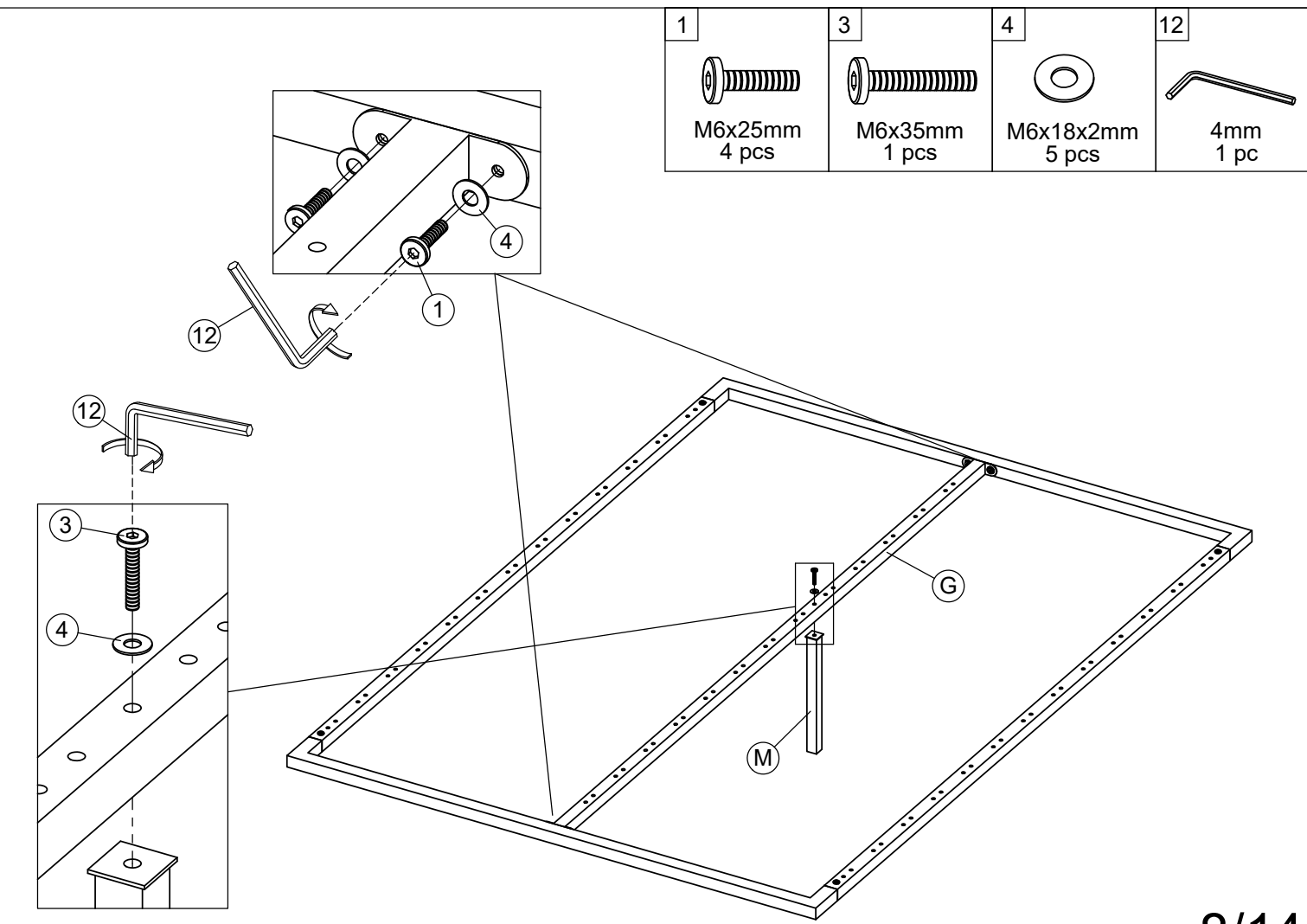
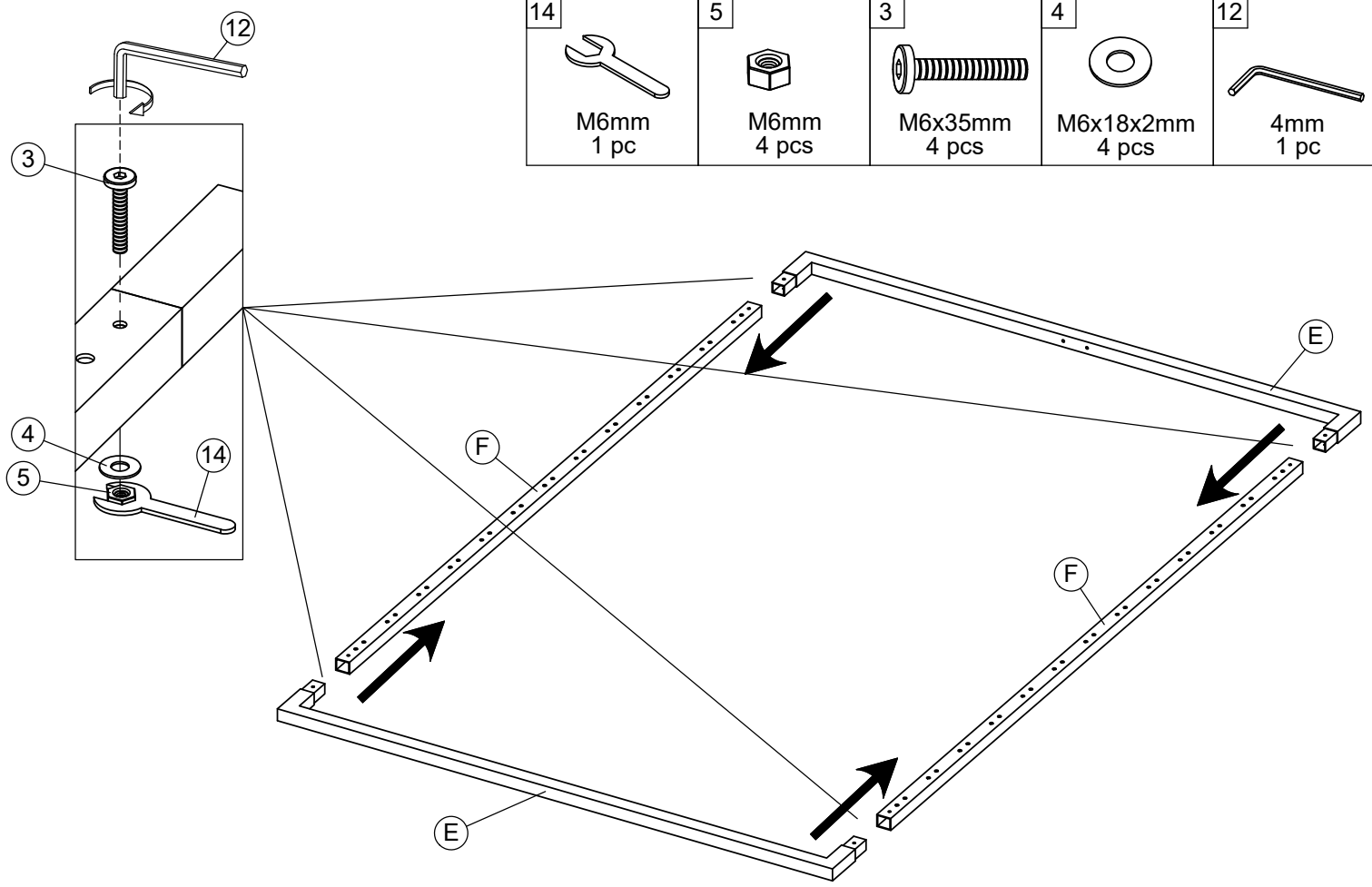
<p>6</p>  <p>M8x35mm 4 pcs</p>	<p>7</p>  <p>M8mm 4 pcs</p>	<p>8</p>  <p>M8x22x2mm 4 pcs</p>	<p>13</p>  <p>5mm 1 pc</p>
---	--	---	---



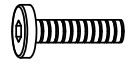

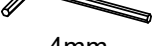


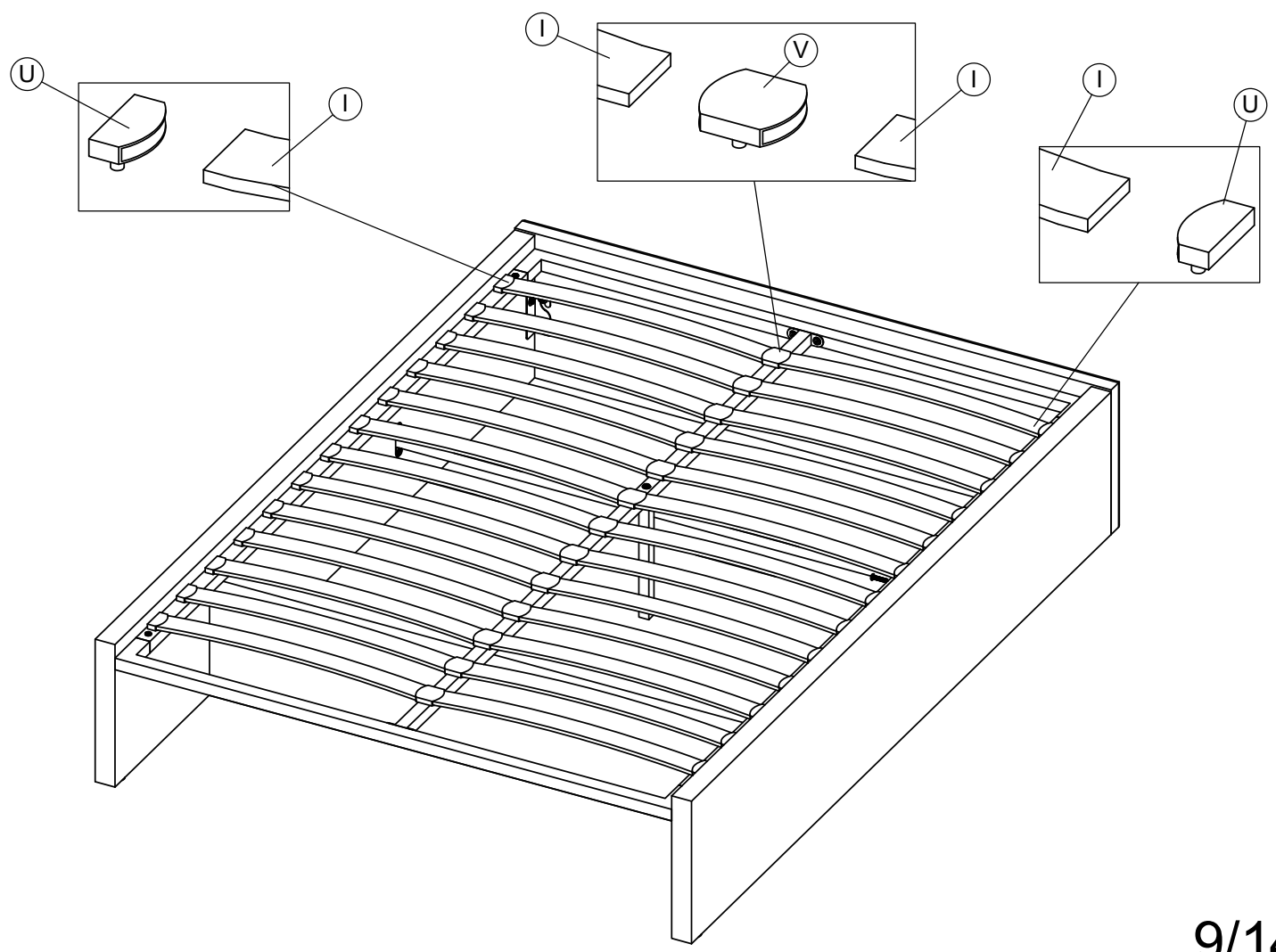
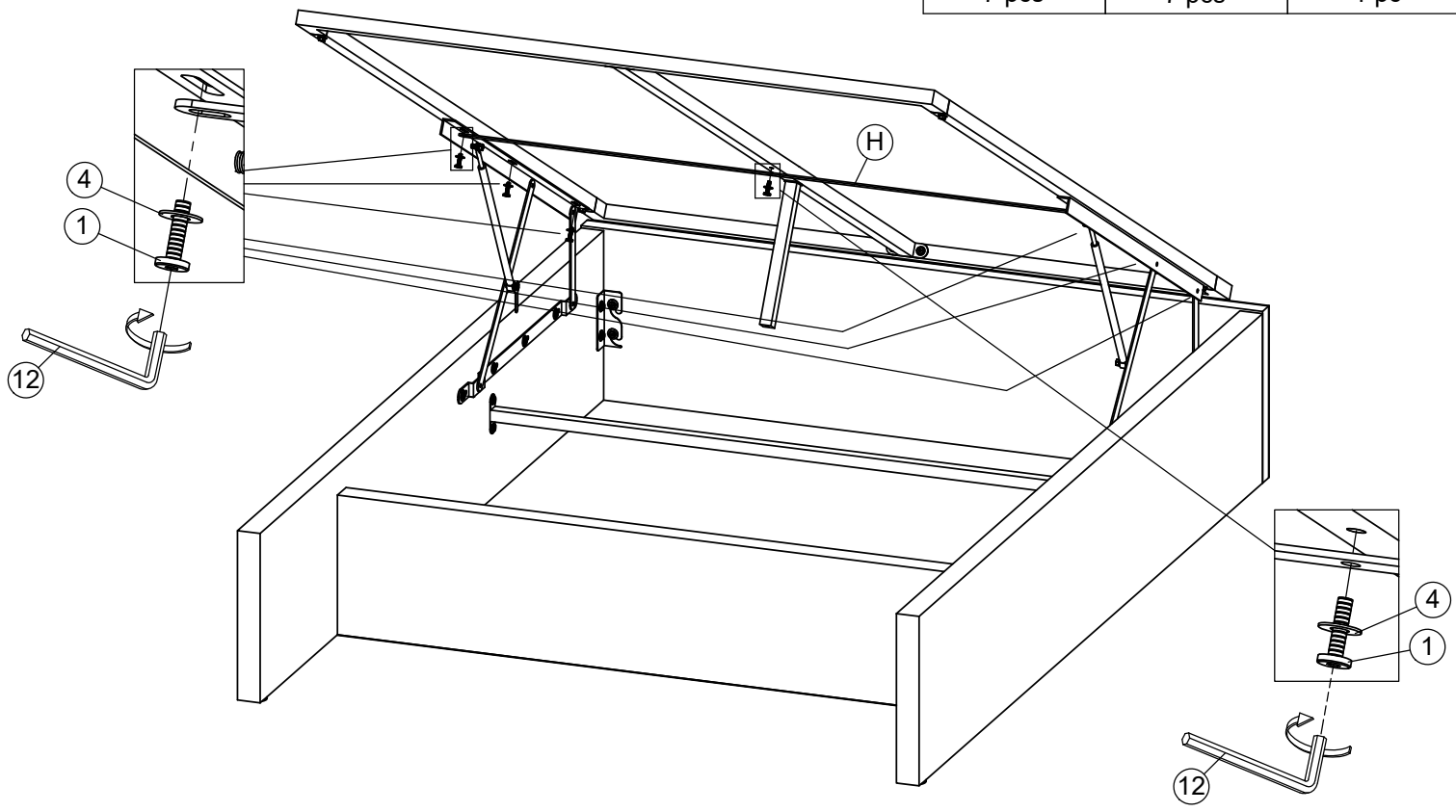
<p>6</p>  <p>M8x35mm 8 pcs</p>	<p>15</p>  <p>M8mm 1 pc</p>	<p>8</p>  <p>M8x22x2mm 8 pcs</p>	<p>13</p>  <p>5mm 1 pc</p>
---	---	--	---

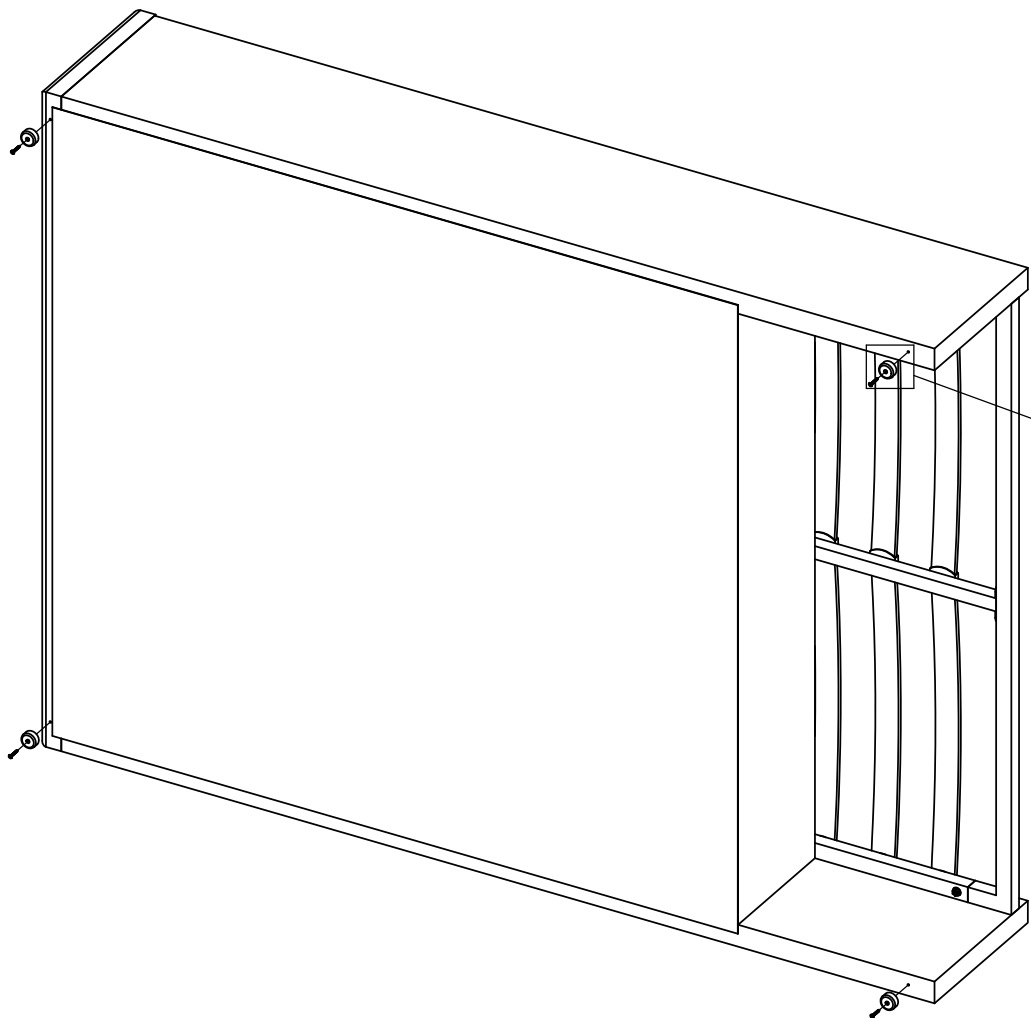
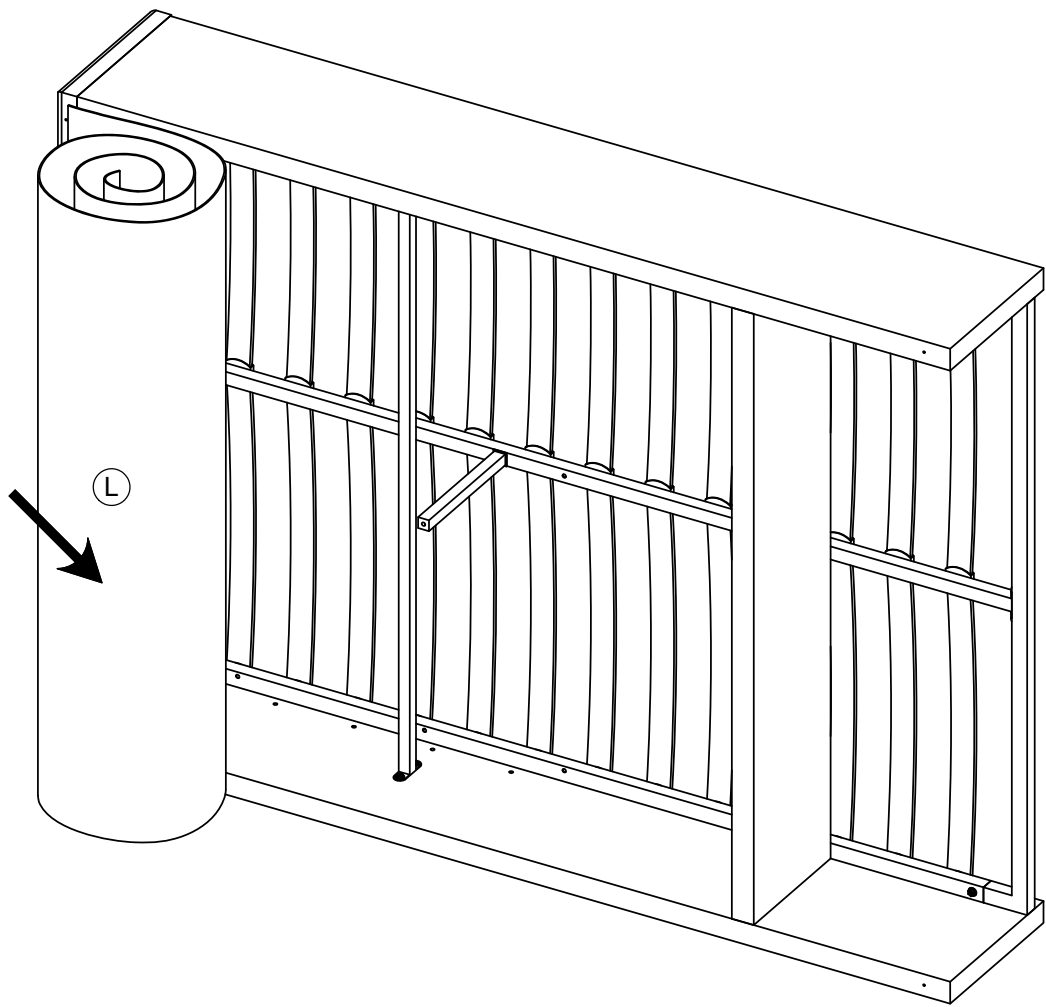



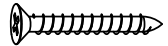


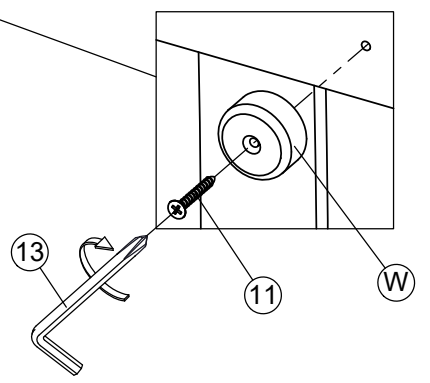


<p>1</p>  <p>M6x25mm 7 pcs</p>	<p>4</p>  <p>M6x18x2mm 7 pcs</p>	<p>12</p>  <p>4mm 1 pc</p>
---	---	---

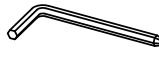



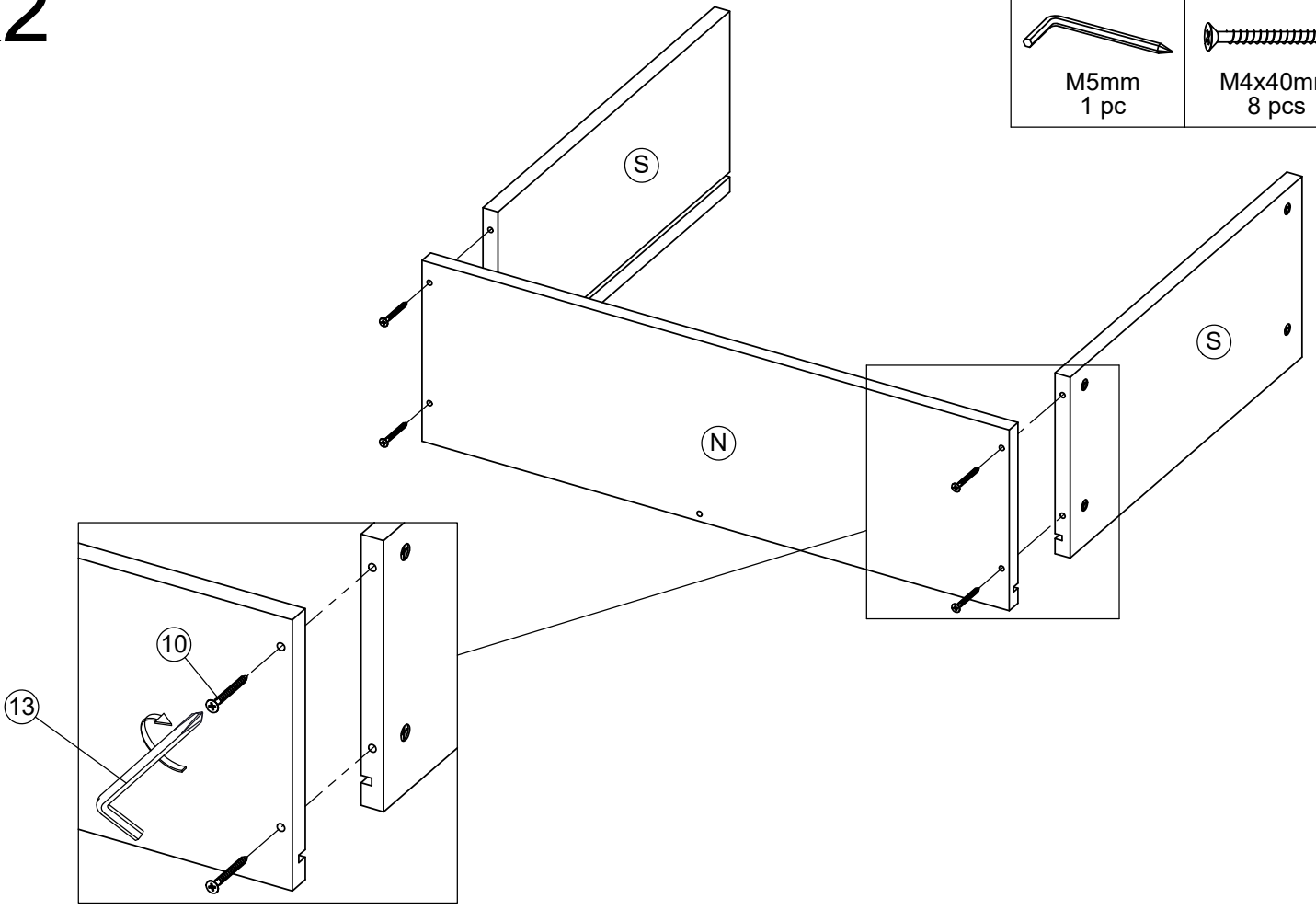


13	11
	
M5mm 1 pc	M4x30mm 4 pcs

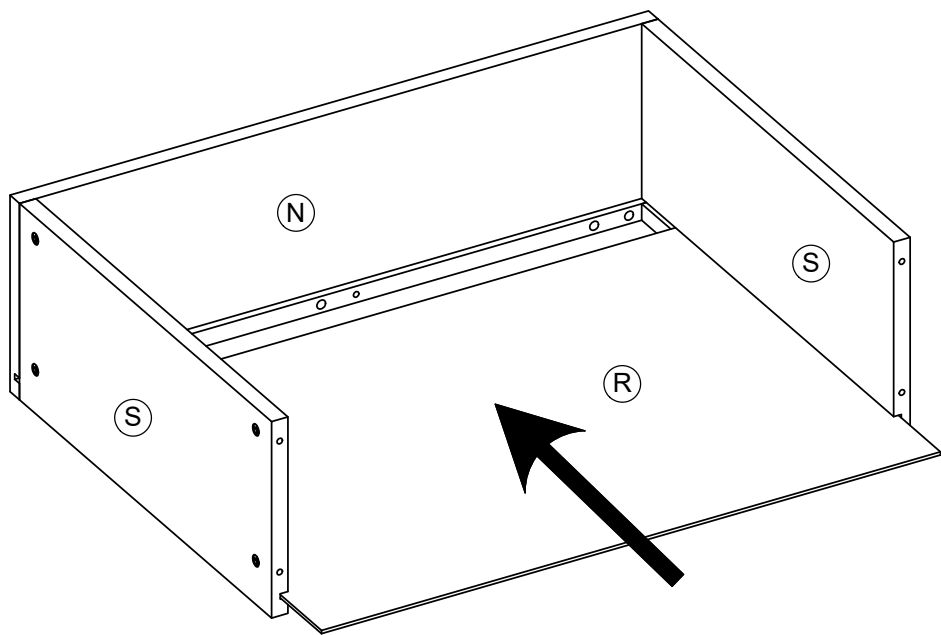


x2

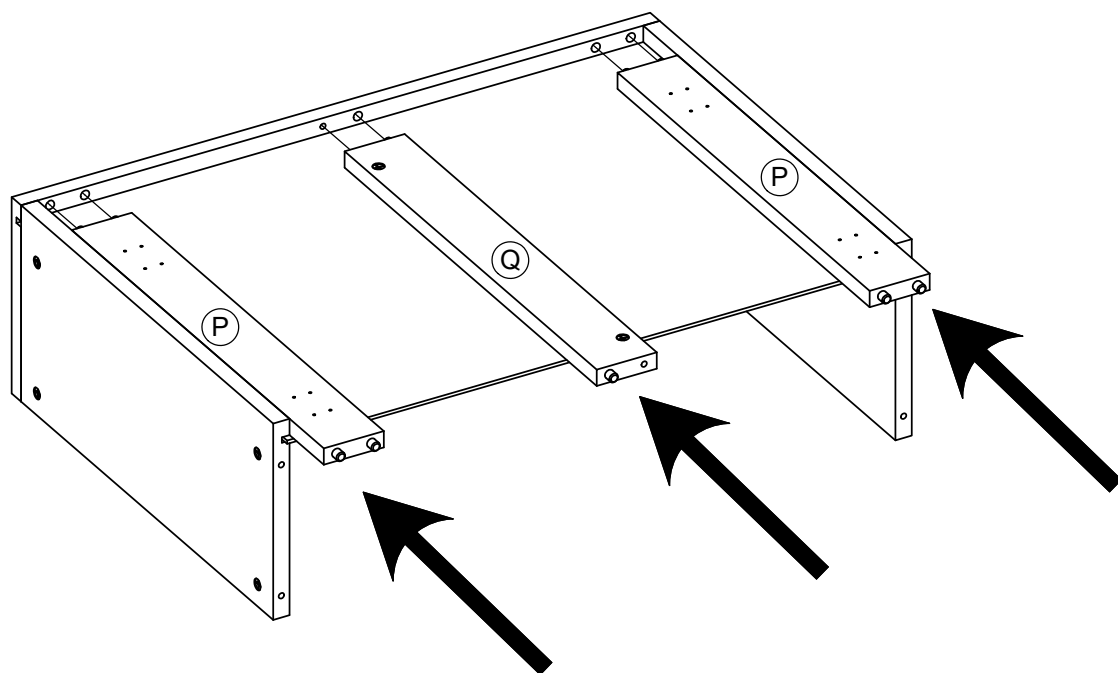
13	10
	
M5mm 1 pc	M4x40mm 8 pcs



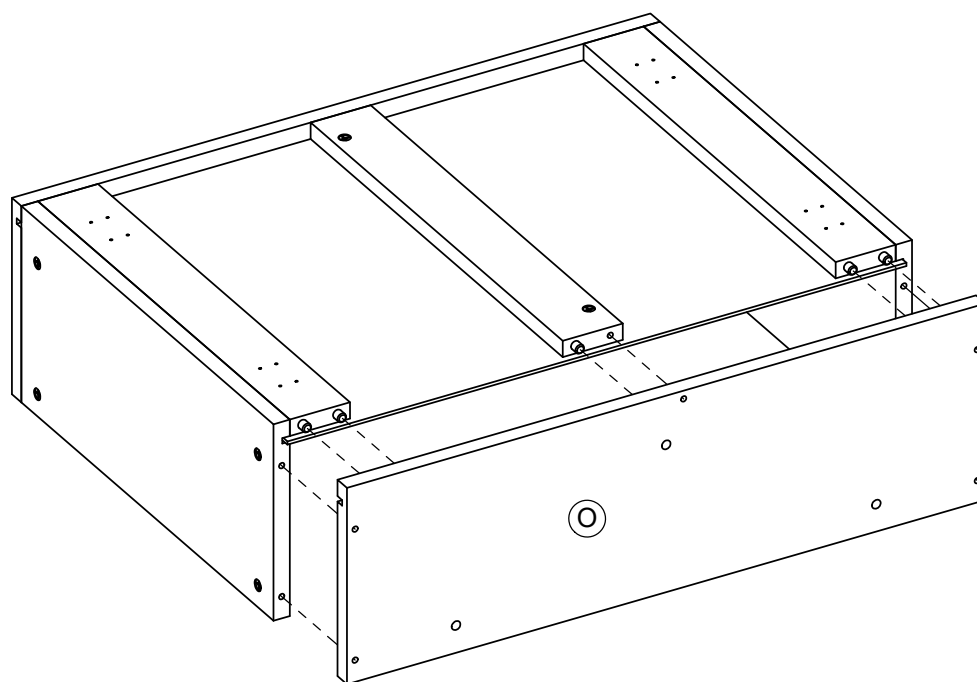
x2



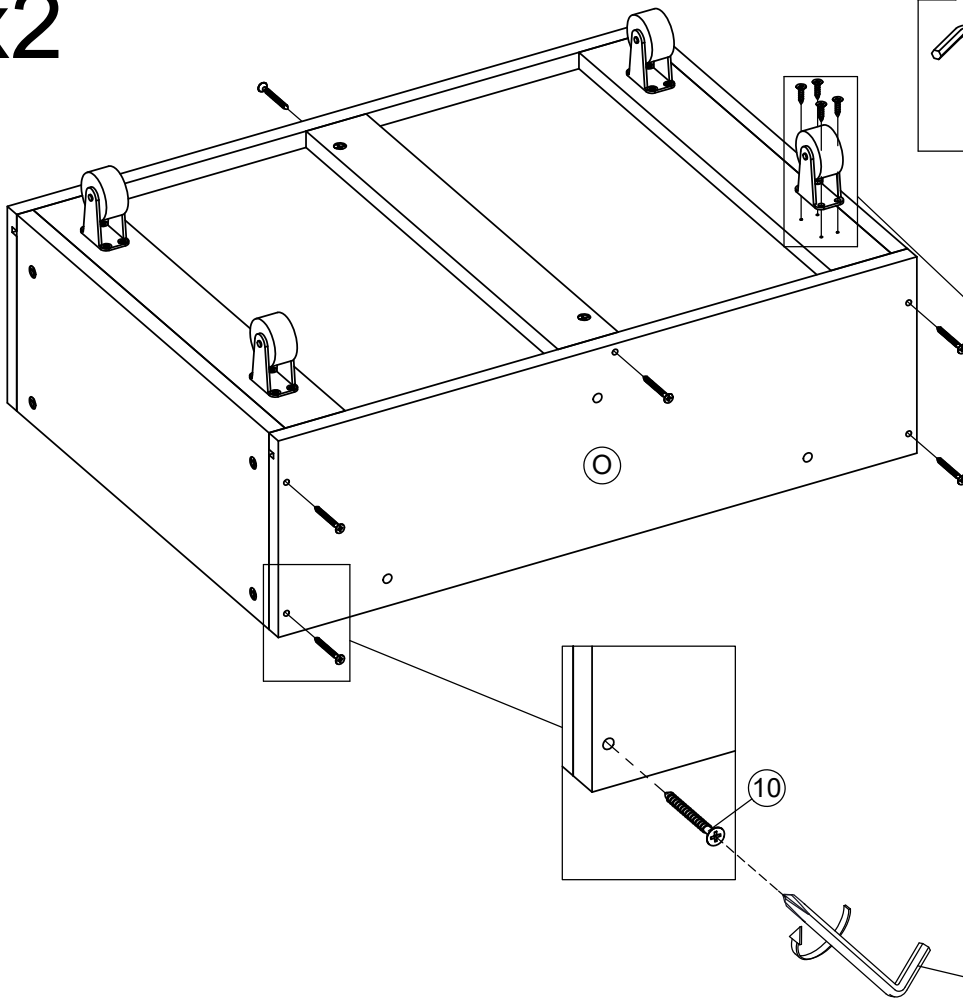
x2

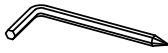
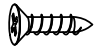
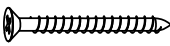


x2

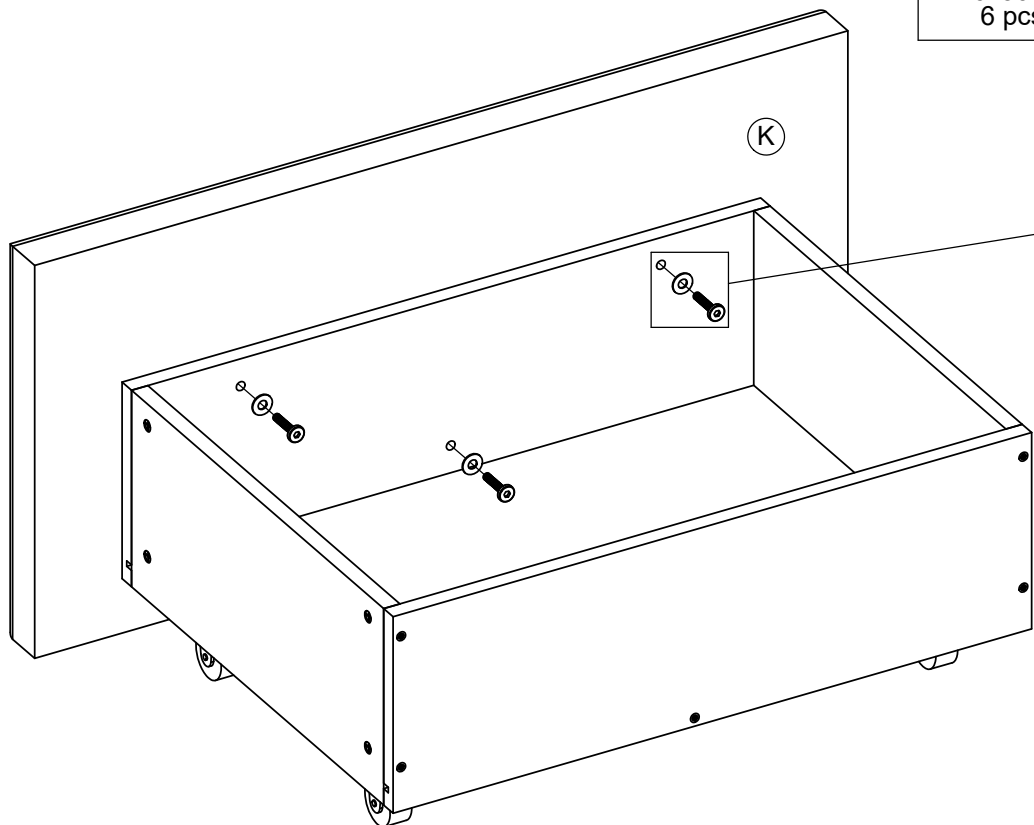





x2



13	9	10
		
M5mm 1 pc	M4x16mm 32 pcs	M4x40mm 12 pcs

x2



2	4	12
		
M6x30mm 6 pcs	M6x18x2mm 6 pcs	4mm 1 pc

